

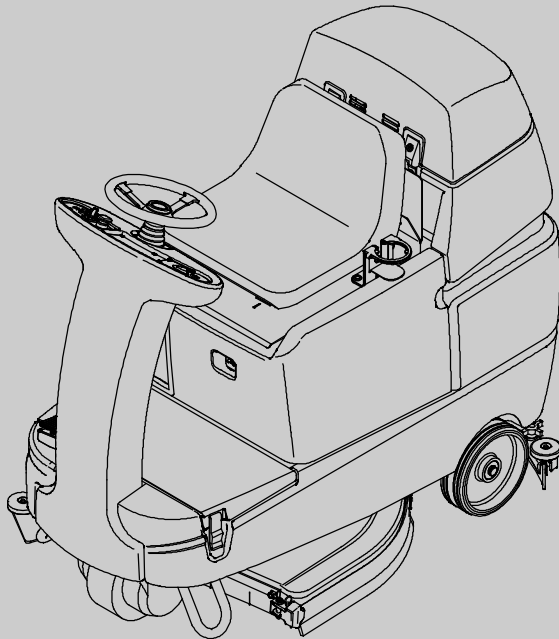
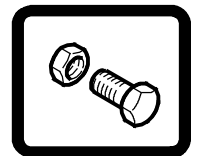


T7

Rider-Scrubber

Machine Serial Number Range
(S/N 30000000-40000000)

Parts Manual



The Safe Scrubbing Alternative®



China / International / Japan

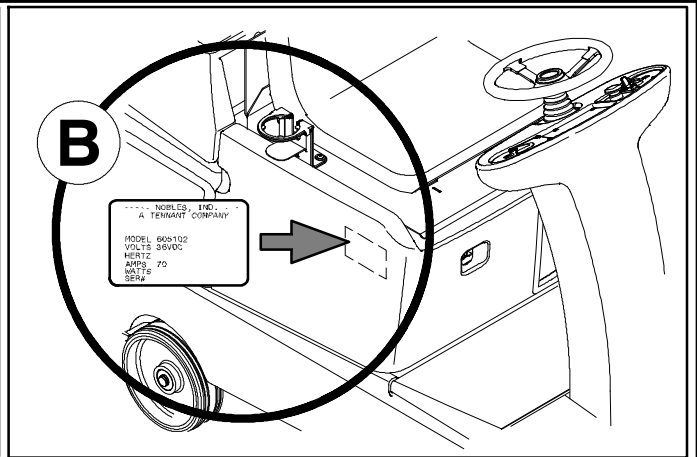
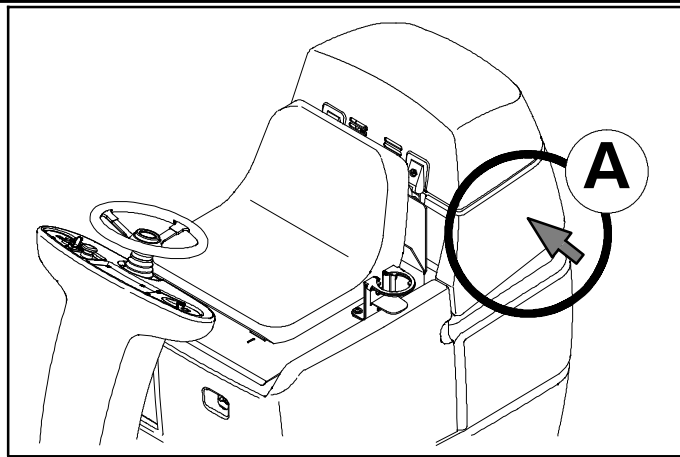


For the latest Parts manuals and other language Operator manuals, visit:

www.tennantco.com/manual

9013561
Rev. 07 (03-2022)





Ref	Part No.	Serial Number	Description	Qty.
1	82681	(000000-)	Bracket Wldt, Lpg Mount	1
2	63810	(000000-)	Latch Assy, Lpg Tank Mtg, W/Nut	4
3	51839	(000000-)	Nut Adjustable, Lpg Tank Mtg	2
4	49263	(000000-)	Tie, Cable	3
5	82556	(000000- 001039)	Bracket, Vaporizer	1
6	54930	(000000-)	Vaporizer, LPG	1

HOW TO ORDER PARTS - See diagram above

Only use TENNANT Company supplied or equivalent parts. Parts and supplies may be ordered online, by phone, by fax or by mail.

Follow the steps below to ensure prompt delivery.

1. **(A)** Identify the machine model.
2. **(B)** Identify the machine serial number from the data label.
3. **(C)** Ensure the proper serial number is used from the parts list.
4. Identify the part number and quantity. Do not order by page or reference numbers.
5. Provide your name, company name, customer ID number, billing and shipping address, phone number and purchase order number.
6. Provide detail shipping instructions.

- (D)** ▽ - identifies an assembly
 ▲ - identifies parts included in assembly

Please fill out at time of installation for future reference.

Model No. - _____
 Serial No. - _____
 Machine Options - _____
 Sales Rep. - _____
 Sales Rep. phone no. - _____
 Customer ID Number - _____
 Installation Date - _____

Tennant Company
 10400 Clean Street
 Eden Prairie, MN 55344- 2650
 USA
 Phone: (800) 553- 8033
 www.tennantco.com

TENNANT Cleaning Systems & Equipment (Shanghai) Co., Ltd
 Room 608, Building 5, Lane 928
 Shenhong Road Shanghai, 201106
 People's Republic of China
 Phone: 86 21 6700 8000
 www.tennant.co.cn

TENNANT Company Japan
 9F Industry & Trade Center
 2 Yamashita-cho, Naka-ku
 Yokohama, Kanagawa 231- 0023
 Japan
 Phone: 81- 45- 640- 5630
 Fax: 81- 45- 640- 5604
 www.tennant.co.jp

Specifications and parts are subject to change without notice.

Copyright © 2014- 2022 TENNANT Company, Printed in China.

CN	<p>如何订购部件 - 参见下表</p> <p>仅使用 TENNANT 公司提供的或同等部件。部件和供应可以在线订购，通过电话、传真或邮件订购。请遵循下面的步骤确保及时交付。</p> <ol style="list-style-type: none"> 1. (A) 确定机器型号。 2. (B) 从数据标签确定机器序列号。 3. (C) 确保使用部件列表中的正确序列号。 4. 确定部件号和数量。 不要按页面或参考编号订购。 5. 提供您的姓名、公司名称、客户 ID 号、付帐和送货地址、电话号码和采购单编号。 6. 提供详细的送货说明。 <hr/> <p>(D) ▽ - 确定组件 ▲ - 确定组件中包含的组件</p>	<p>请在安装时填写供未来参考。</p> <p>型号 - _____</p> <p>序列号 - _____</p> <p>机器选项 - _____</p> <p>销售代表 - _____</p> <p>销售代表电话号码 - _____</p> <p>客户 ID 编号 - _____</p> <p>安装日期 - _____</p>

JP	<p>パーツの発注方法 ? 上記の図を参照してください</p> <p>TENNANT社製のパーツまたは同等品のみをお使いください。パーツやサプライ品のご注文は、オンライン、電話、FAX、または手紙でお願いいたします。確実にお届けできるように、以下の情報お知らせください。</p> <ol style="list-style-type: none"> 1. (A) 製品のモデル名をお知らせください。 2. (B) 製品のデータラベルに印刷されているシリアル番号をお知らせください。 3. (C) パーツリストを参照して、シリアル番号が正しいかご確認ください。 4. パーツ番号と数量をお知らせください。マニュアル/カタログのページ番号や参照番号でのご注文はご遠慮ください。 5. お客様のお名前、会社名、顧客ID番号、請求/発送先住所、電話番号、注文書番号をお知らせください。 6. 発送に関するご希望があれば、明記してください。 <hr/> <p>(D) ▽ - アセンブリを示します ▲ - アセンブリに含まれるパーツを示します</p>	<p>後日確認できるように、設置時に記入してください。</p> <p>モデルNo. - _____</p> <p>シリアルNo. - _____</p> <p>製品のオプション - _____</p> <p>販売代理店 - _____</p> <p>販売代理店の電話番号 - _____</p> <p>顧客ID番号 - _____</p> <p>設置日 - _____</p>

GENERAL RECOMMENDED MAINTENANCE

General Recommended Maintenance Items

Ref.	Part No.	Description	Qty.
	390942	Blade, Sqge, Rear, 37.50l Linatex[700mm]	1
	390922	Blade, Sqge, Rear, 44.00l Linatex[800mm]	1
▽	391384	Squeegee Kit, 700mm, Ure	1
▲	391377	Blade, Sqge, Front, 35.00l Ure [700mm]	1
▲	391378	Blade, Sqge, Rear, 37.50l Pyu [700mm]	1
▽	391386	Squeegee Kit, 700mm, Gum	1
▲	390943	Blade, Sqge, Front, 35.00l [Linx, 700mm]	1
▲	390936	Blade, Sqge, Rear, 37.50l Gum [700mm]	1
▽	391383	Squeegee Kit, 800mm, Ure	1
▲	391379	Blade, Sqge, Front, 41.50l Ure [800mm]	1
▲	391380	Blade, Sqge, Rear, 44.0l Pyu [800mm]	1
▽	391385	Squeegee Kit, 800mm, Gum	1
▲	390923	Blade, Sqge, Front, 41.50l [Linx, 800mm]	1
▲	390934	Blade, Sqge, Rear, 44.00l Gum [800mm]	1
	86859	Squeegee Assy, Side [Linatex] (Disk Head - Standard)	2
	1058731	Squeegee Assy, Side, Disc, Ure (Disk Head - Optional)	2
	1058729	Squeegee Assy, Side, Disc, Gum (Disk Head - Optional)	2
	391334	Squeegee Assy, Side [Linatex] (Cylnd Head - Standard)	2
	1058728	Squeegee Assy, Cylrcl, Ure [T7/Ssr] (Cylnd Head - Optional)	2
	1058715	Squeegee Assy, Cylrcl, Gum [T7/Ssr] (Cylnd Head - Optional)	2
	1073476	Caster, Swivel, 50mmd, M10 X 30, Clr Pl	2
	1013531	Skirt, Spray, 650mm	1
	1011376	Skirt, Spray, 800mm	1
	1010560	Wheel, Bmpr, 80d X 25w, Non- Marking	1
	1013611	Seal, Cover, Recvy	1
	1020719	Seal, Afmkt, Bulb, Clsd Cell, Adh, 8ft	1
	1020727	Seal, Afmkt, Bulb, Clsd Cell, Adh, 8ft	1
	1020301	Seal, Afmkt, Bulb, Clsd Cell, Adh, 8ft	1
	1014026	Hose, Vacuum, 1.50id X 057.1l, 2cuff,Blk	1
	1037821	Filter, Panl, Dust, 2.3 X 04.5 X 06.4	1
	1016392	Gasket, Fltr, Tank	1
▽	1014274	Hose Assy, Drain, 1.50id X 27.8l, Blk (Recovery Tank)	1
▲▽	1008639	Cap, Drain Assembly	1
▲▲	1008637	O Ring, 1.48" Id, 1.76" Od	1
▽	1014268	Hose Assy, Drain, 1.50id X 27.0l, Blk (Solution Tank)	1
▲▽	1008639	Cap, Drain Assembly	5
▲▲	1008637	O Ring, 1.48" Id, 1.76" Od	1
	1035888	Belt, Drive, 6grv, 508 L X 14 W, [6p]	2
▽	1011402	Switch, Key	1
▲	1017696	Key Set, Replmt [F/ Keyswitch 1011402]	1

GENERAL RECOMMENDED MAINTENANCE

General Recommended Maintenance Items

Ref.	Part No.	Description	Qty.
▽	9007970	① Module Kit, Replmt [Ec- H2o]	1
▲▽	9006324	① Ec- H2o Kit, Module B, Plumbing	1
▲▲	1062006	① Electrode, Cylindrical	1
▲▲	1013236	① Valve, Shutoff, Ele, 24vdc	1
▲▲	1057637	① Electrode, 5 Plate, High Flow (Replaced By 1233516)	1
▲▲	1044393	① Switch, Rocker, Spst, Mom	1
▲	1054776	① Grommet, Blind	1
▲	9007969	① Controller Kit, Replmt [Ec- H2o] (Replaced By 9020642)	1
	1052726	① Alarm, 9- 48vdc, 95 Db(A) [Ec- H2O]	1
	1030592	Seal, Afmkt, Bulb, 90, 0.75d F/11ga 03ft	1
	9013646	② Cartridge, Ec- H2o Nanoclean Wcm, 270ml	1
	1216973	② Pump Assy, Dispenser	1
▽	9020643	④ Module Kit, Replmt [Ec- H2o, B 02] (Includes ec- H2O NanoClean Cartridge)	1
▽	9011810	③ Module Kit, Replmt [Ec- H2o, B 02] (Includes ec- H2O NanoClean Cartridge) (Replaced By 9020643)	1
▲▽	9014126	② Ec- H2o Nc Kit [Module B, Plumbing]	1
▲▲	1233516	④ Electrode, 5 Plate [De Nora Tech]	1
▲▲	1208164	③ Electrode, 5 Plate, High Flow (Replaced By 1233516)	1
▲▲	1044393	② Switch, Rocker, Spst, Mom	1
▲	9020642	④ Controller Kit, Replmt [Ec- H2o Nc] (Includes ec- H2O NanoClean Cartridge)	1
▲	9014127	③ Controller Kit, Replmt [Ec- H2o Nc] (Includes ec- H2O NanoClean Cartridge) (Replaced By 9020642)	1

① Serial number (30000000- 30044870)

② Serial number (30044871-)

③ Serial number (30044871- DEC2021)

④ Serial number (JAN2022-)

SECTION 2

Contents	Page	Contents	Page
Fig. 1 - Replacement Brushes, Cylindrical	2-2	Fig. 23 - Recovery Tank Group	2-46
Fig. 2 - Replacement Brushes And Pad Drivers, 650 mm (26 in)	2-4	Fig. 24 - Vacuum Fan Group	2-48
Fig. 3 - Replacement Brushes And Pad Drivers, 800 mm (32 in)	2-6	Fig. 25 - Solution Tank Group, Disk Scrub Head	2-50
Fig. 4 - Main Frame Group, Disk Scrub Head . . .	2-8	Fig. 26 - Solution Tank Group, Cylindrical Scrub Head	2-52
Fig. 5 - Main Frame Group, Cylindrical Scrub Head, 700 mm (28 in)	2-10	Fig. 27 - Tanks Drain Group	2-54
Fig. 6 - Main Frame Group, Cylindrical Scrub Head, 800 mm (32 in)	2-12	Fig. 28 - Battery Group, 235Ah	2-56
Fig. 7 - Seat Group	2-14	Fig. 29 - Rear Squeegee Lift Group, Disk Scrub Head	2-58
Fig. 8 - Steering Group	2-16	Fig. 30 - Rear Squeegee Lift Group, Cylindrical Scrub Head	2-60
Fig. 9 - Instrument Panel Group	2-18	Fig. 31 - Rear Squeegee Group, 650 mm (26 in)	2-62
Fig. 10 - Front Drive Wheel Group	2-20	Fig. 32 - Rear Squeegee Group, 800 mm (32 in)	2-64
Fig. 11 - Brake Pedal and Accelerator Pedal Group	2-22	Fig. 33 - Circuit Board Group	2-66
Fig. 12 - Disk Scrub Head Lift Group	2-24	Fig. 34 - Electrical Group	2-68
Fig. 13 - Disk Scrub Head Drive Motor Group, 650 mm (26 in)	2-26	Fig. 35 - Electrical Schematic, Standard, FaST & ec- H2O Models (S/N 30044871-)	2-70
Fig. 14 - Disk Scrub Head Drive Motor Group, 800 mm (32 in)	2-28	Fig. 36 - Electrical Schematic, Standard & FaST Model (S/N 30000000- 30044870)	2-74
Fig. 15 - Disk Scrub Head Side Squeegee Group, Right	2-30	Fig. 37 - Electrical Schematic, ec-H2O Model (S/N 30000000- 30044870)	2-76
Fig. 16 - Disk Scrub Head Side Squeegee Group, Left	2-32	Fig. 40 - Wire Harnesses Group, Tank	2-84
Fig. 17 - Cylindrical Scrub Head Lift Group	2-34	Fig. 41 - Wire Harnesses Group, ec-H2O NanoClean (S/N 30044871-)	2-85
Fig. 18 - Cylindrical Scrub Head Group, 700mm (28 in)	2-36	Fig. 42 - Wire Harnesses Group, ec-H2O (S/N 30000000- 30044870)	2-86
Fig. 19 - Cylindrical Scrub Head Group, 800mm (32 in)	2-38	Fig. 43 - Wire Harnesses Group, ec-H2O NanoClean Main Control Board (S/N 30044871-)	2-87
Fig. 20 - Cylindrical Scrub Head Drive Group, Right Side	2-40	Fig. 44 - Wire Harnesses Group, ec-H2O Main Control Board (S/N 30000000- 30044870)	2-88
Fig. 21 - Cylindrical Scrub Head Drive Group, Left Side	2-42	Fig. 45 - Label Group	2-89
Fig. 22 - Cylindrical Scrub Head Squeegee Group	2-44		

Fig. 1 - Replacement Brushes, Cylindrical

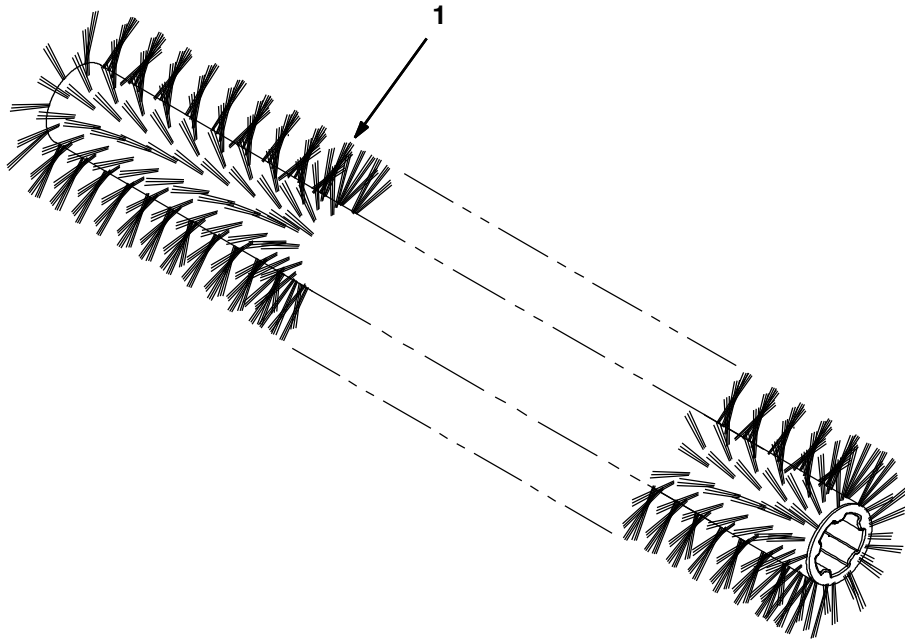


Fig. 1 - Replacement Brushes, Cylindrical

Ref.	Part No.	Description	Qty.
1	222305	Brush, Scb, 28l, 18sr, Nyl, Spl	2
1	222306	Brush, Scb, 28l, 18sr, Abr, Spl	2
1	222304	Brush, Scb, 28l, 18sr, Pyp, Spl	2
1	374041	Brush, Scb, 28l, 18sr, Hd Pyp, Spl	2
1	222308	Brush, Scb, 32l, 18sr, Nyl, Spl	2
1	222309	Brush, Scb, 32l, 18sr, Abr, Spl	2
1	222307	Brush, Scb, 32l, 18sr, Pyp, Spl [Grout]	2
1	374042	Brush, Scb, 32l, 18sr, Hd Pyp, Spl	2

Fig. 2 - Replacement Brushes And Pad Drivers, 650 mm (26 in)

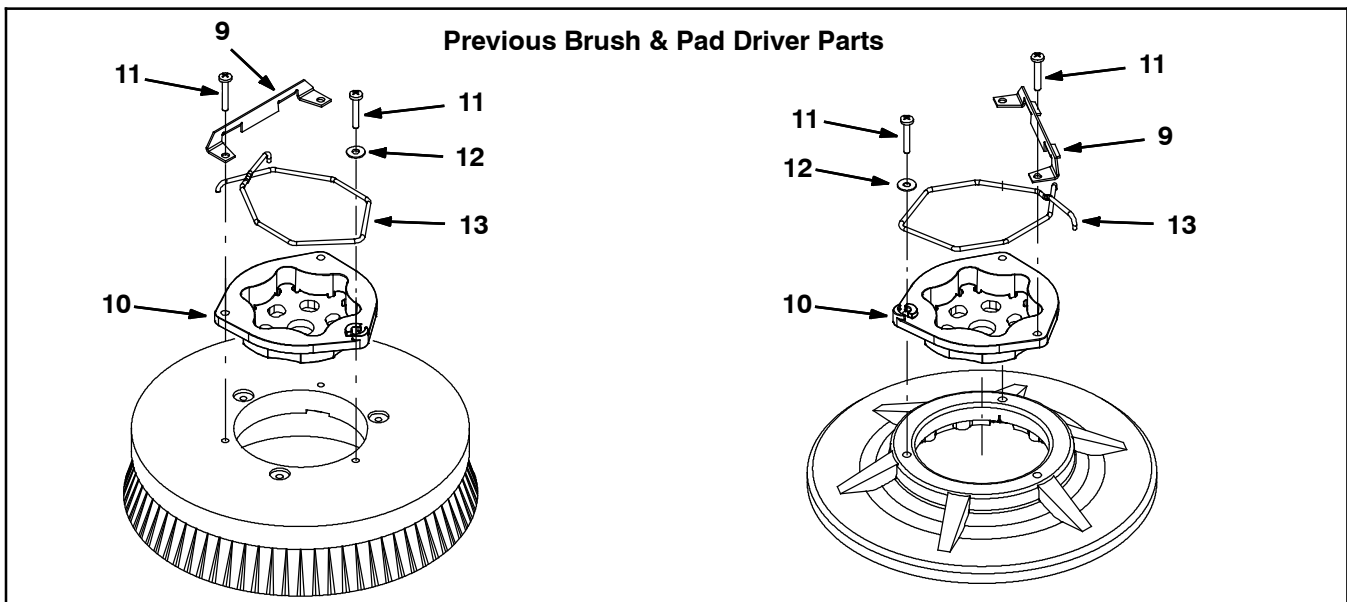
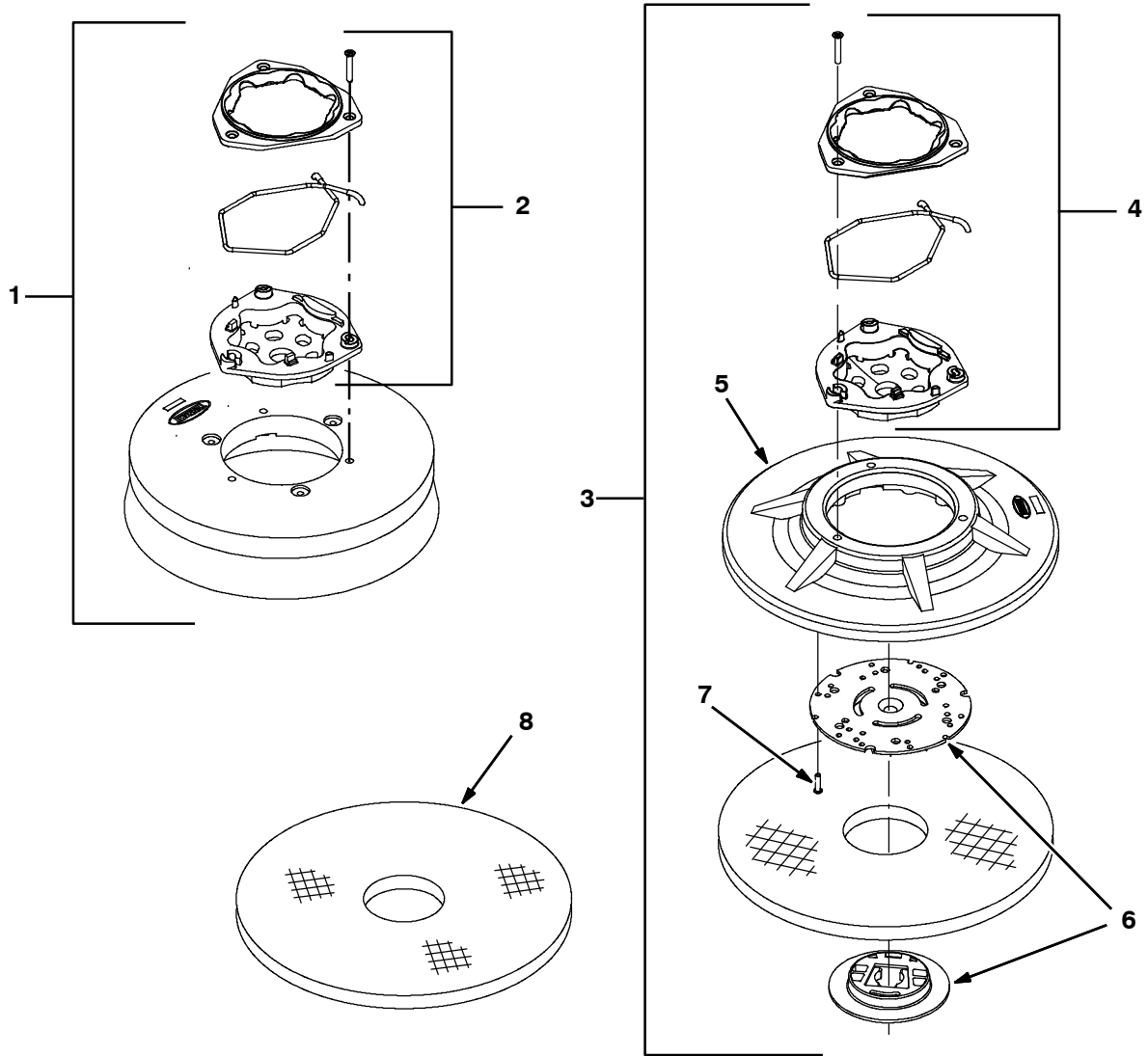


Fig. 2 - Replacement Brushes And Pad Drivers, 650 mm (26 in)

	Ref.	Part No.	Description	Qty.
▽	1	1220226	Brush Assy, Disk, Scb, 13.0d, Nyl	2
▲	2	9014664	Brush Kit, Hub Assy, Drive, Ci [Hdpe]	1
▽	1	1220223	Brush Assy, Disk, Scb, 13.0d, Pyp	2
▲	2	9014664	Brush Kit, Hub Assy, Drive, Ci [Hdpe]	1
▽	1	1220228	Brush Assy, Disk, Scb, 13.0d, Sab	2
▲	2	9014664	Brush Kit, Hub Assy, Drive, Ci [Hdpe]	1
▽	3	1220243	Driver Assy, Pad, 13.0d	2
▲	4	9014664	Brush Kit, Hub Assy, Drive, Ci [Hdpe]	1
▲	5	N/A	Disk, Driver, Pad, W/ Face, 13.0d	1
▲	6	370095	Device, Centering, Clip On, TI [Gf Pp]	1
▲	7	360943	Screw, Pan, Phl, 10- 14 X 0.75, F/ Plstc	3
	8	1243567	Pad, Stripper, 13.0d, Brn [1pick=1ctn]	2
	8	1243655	Pad, Scb, 13.0d Blu [1pick=1ctn]	2
	8	1243341	Pad, Buff, 13.0d, Red [1pick=1ctn]	2
	8	1243342	Pad, Polish, 13.0d, White [1pick=1ctn]	2
	8	1243666	Pad, Surf Prep, 13.0d Maroon[1pick=1ctn]	2

Previous Brush And Pad Driver Parts

	Ref.	Part No.	Description	Qty.
	9	24299	Bracket, Retainer, Spring	1
	10	1017368	Hub, Drive, Brush, Disk, 3hole 5.8bc	1
	11	32746	Screw, Pan, M6 X 1.0 X 35, Ss	3
	12	01684	Washer, Flat, 0.25 Ss	1
	13	1017957	Spring, Retaining, Brush	1
		1018377	Brush Assy, Disk, Scb, 13.0 D, Soft Nylon (Replaced By 1220226)	2
		1014346	Brush Assy, Disk, Scb, 13.0d, Pyp (Replaced By 1220223)	2
		1018457	Brush Assy, Disk, Scb, 13.0 D, Super Abrasive (Replaced By 1220228)	2
		379013	Driver Assy, Pad, 13.0d (Replaced By 1220243)	2

Fig. 3 - Replacement Brushes And Pad Drivers, 800 mm (32 in)

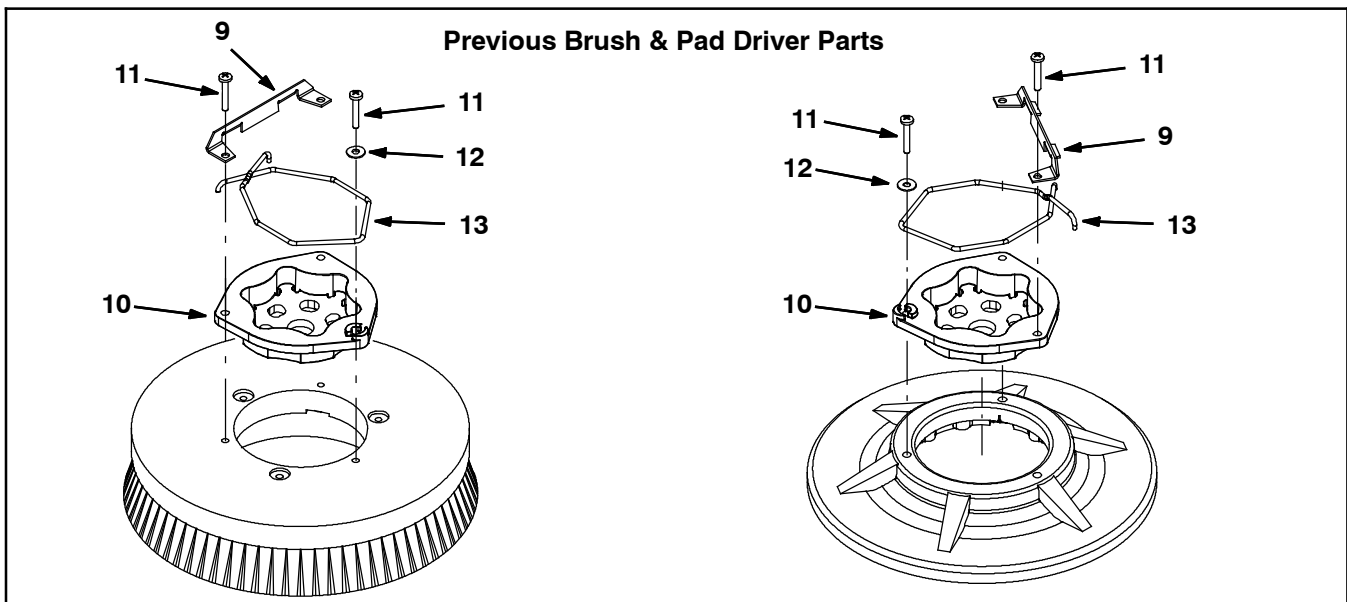
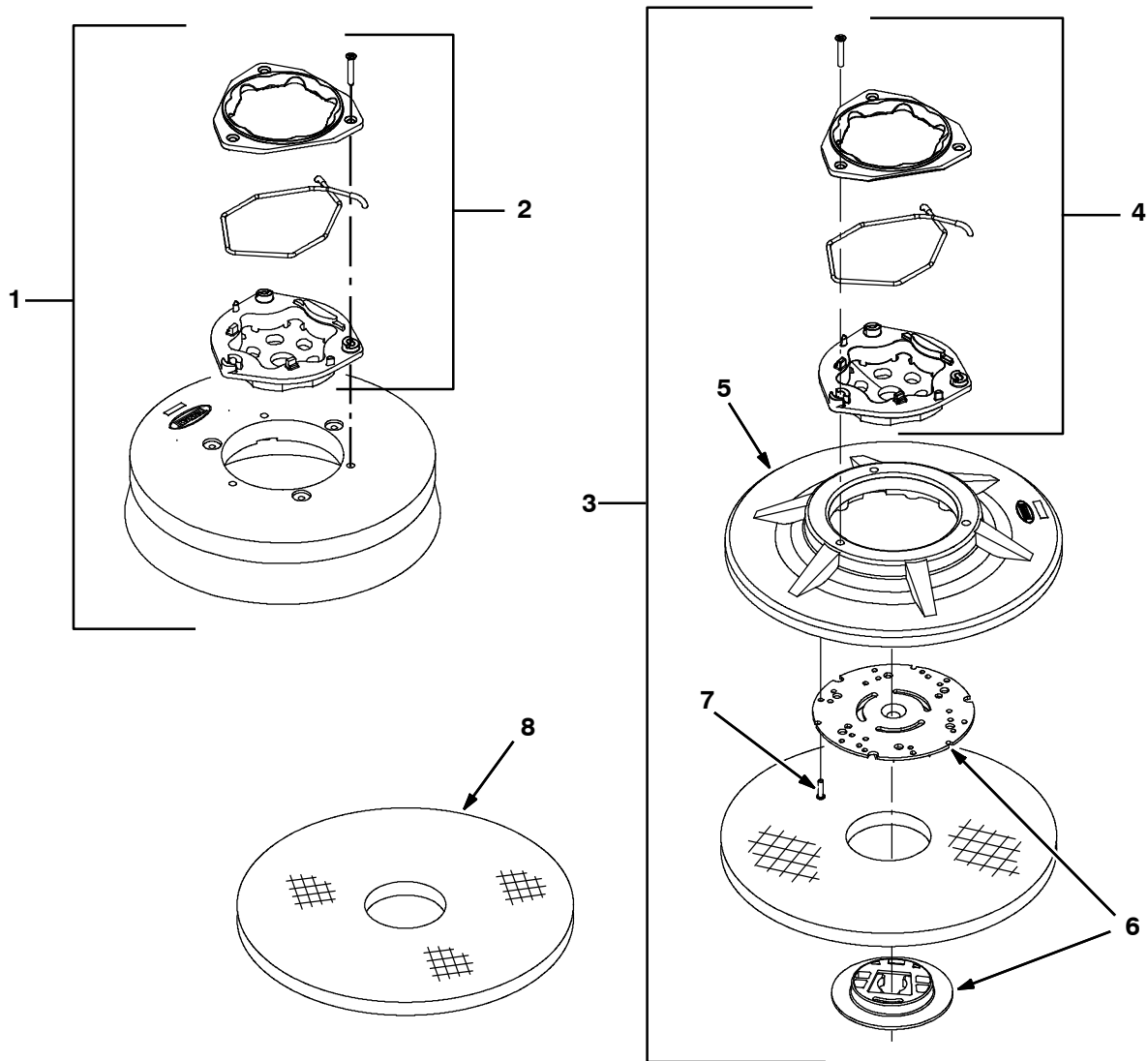


Fig. 3 - Replacement Brushes And Pad Drivers, 800 mm (32 in)

Ref.	Part No.	Description	Qty.	
▽	1	1220225	Brush Assy, Disk, Scb, 16.0d, Nyl	2
▲	2	9014664	Brush Kit, Hub Assy, Drive, Ci [Hdpe]	1
▽	1	1220224	Brush Assy, Disk, Scb, 16.0d, Pyp	2
▲	2	9014664	Brush Kit, Hub Assy, Drive, Ci [Hdpe]	1
▽	1	1220227	Brush Assy, Disk, Scb, 16.0d, Sab	2
▲	2	9014664	Brush Kit, Hub Assy, Drive, Ci [Hdpe]	1
▽	3	1220244	Driver Assy, Pad, 16.0d	2
▲	4	9014664	Brush Kit, Hub Assy, Drive, Ci [Hdpe]	1
▲	5	N/A	Disk, Driver, Pad, W/ Face, 16.0d	1
▲	6	370095	Device, Centering, Clip On, TI [Gf Pp]	1
▲	7	360943	Screw, Pan, Phl, 10- 14 X 0.75, F/ Plstc	3
	8	1243659	Pad, Strip, 16.0d Blk[Hi Prod1pick=1ctn]	2
	8	1243685	Pad, Stripping, 16.0d, Brn [1pick=1ctn]	2
	8	1243354	Pad, Scb, 16.0d, Blu [1pick=1ctn]	2
	8	1243355	Pad, Buff, 16.0d, Red [1pick=1ctn]	2
	8	1243668	Pad, Surf Prep, 16.0d Maroon[1pick=1ctn]	2
	8	1243356	Pad, Polish, 16.0d, White [1pick=1ctn]	2

Previous Brush And Pad Driver Parts

Ref.	Part No.	Description	Qty.	
	9	24299	Bracket, Retainer, Spring	1
	10	1017368	Hub, Drive, Brush, Disk, 3hole 5.8bc	1
	11	32746	Screw, Pan, M6 X 1.0 X 35, Ss	3
	12	01684	Washer, Flat, 0.25 Ss	1
	13	1017957	Spring, Retaining, Brush	1
		1016634	Brush Assy, Disk, Scb, 16.0 D, Soft Nylon (Replaced By 1220225)	2
		1016633	Brush Assy, Disk, Scb, 16.0 D, Polypropylene (Replaced By 1220224)	2
		1018455	Brush Assy, Disk, Scb, 16.0 D, Super Abrasive (Replaced By 1220227)	2
		379016	Driver Assy, Pad, 16.0d (Replaced By 1220244)	2

Fig. 4 - Main Frame Group, Disk Scrub Head

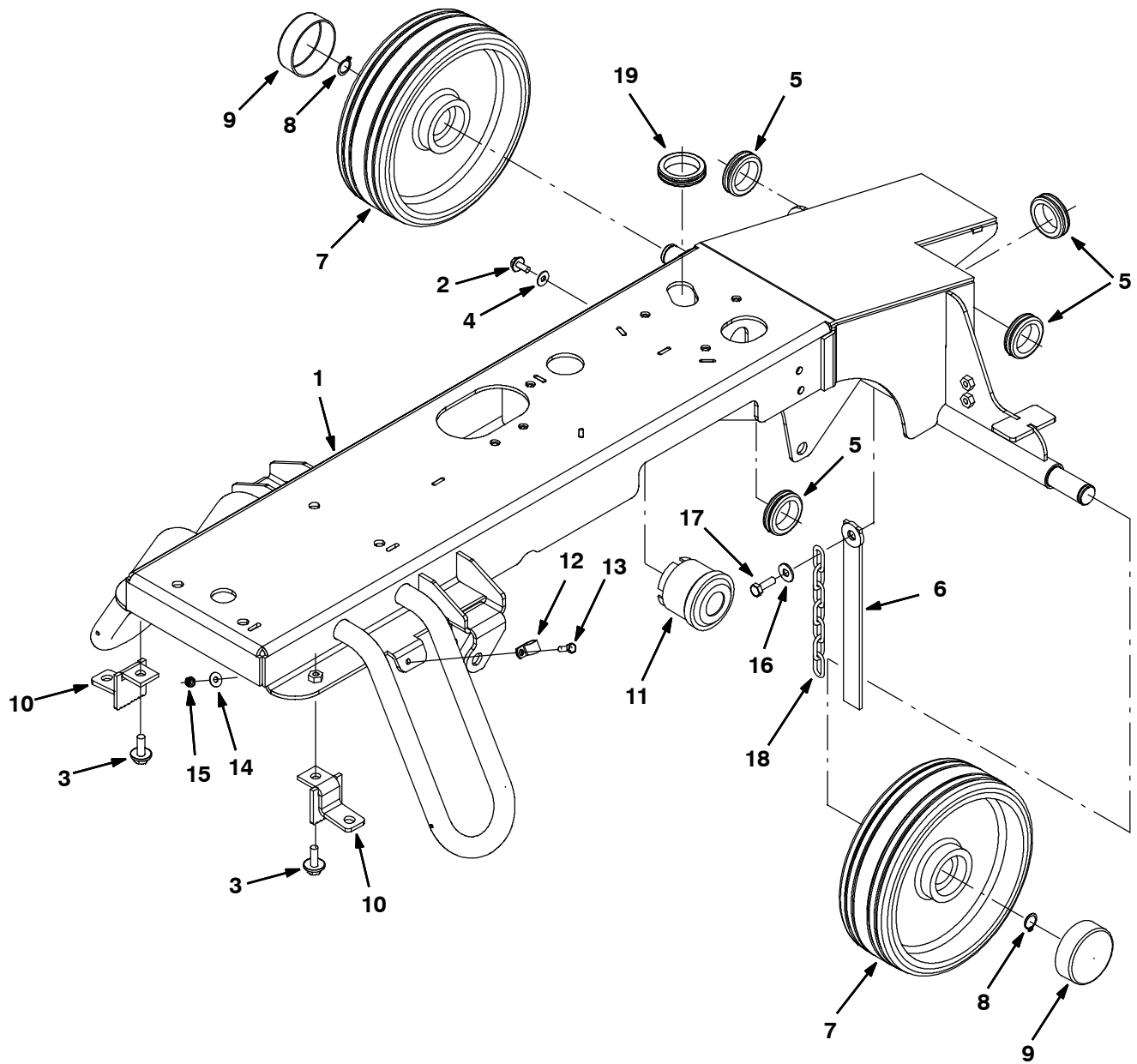


Fig. 4 - Main Frame Group, Disk Scrub Head

Ref.	Part No.	Description	Qty.
1	1054028	Frame Wldt, Main, Disk [T7]	1
2	1034731	Screw, Hex, M6 X 1.00 X 16, Sems, Ss	1
3	1072628	Screw, Hex, M8 X 1.25 X 25, Ss, Sems	2
4	01684	Washer, Flat, 0.25 Ss	1
5	10632- 13	Grommet, Rbr, 1.50id, F/ 1.8h, .19matl	4
6	1014318	Strap, Static	1
7	1038560	Tire Assy, Solid, 250mmx80mm, 25mm Id	2
8	09005	Ring, Retaining, Ext, 1.00D, Basic	2
9	1016957	Cap, Vyl, 70mm Id X 25mm L	2
10	1017688	Bracket Wldt, Stand, Jack	2
11	1018505	Horn, 12- 48vdc	1
12	140300	Clamp, Cable, Stl, 0.50d [Insulated]	1
13	08716	Screw, Hex, M6 X 1.0 X 20, Ss	1
14	01684	Washer, Flat, 0.25 Ss	1
15	08712	Nut, Hex, Lock, M6 X 1.0, Ss, NI	1
16	09011	Screw, Hex, M8 X 1.25 X 30, Ss	1
17	01685	Washer, Flat, 0.38b 0.88d .08, Ss	1
18	43500	Chain, Coil, Str, #2/0, 09.0l 07 Link	1
19	1202181	Grommet, Rbr, 2.13id, F/2.5h, .19 Matl	1

Fig. 5 - Main Frame Group, Cylindrical Scrub Head, 700 mm (28 in)

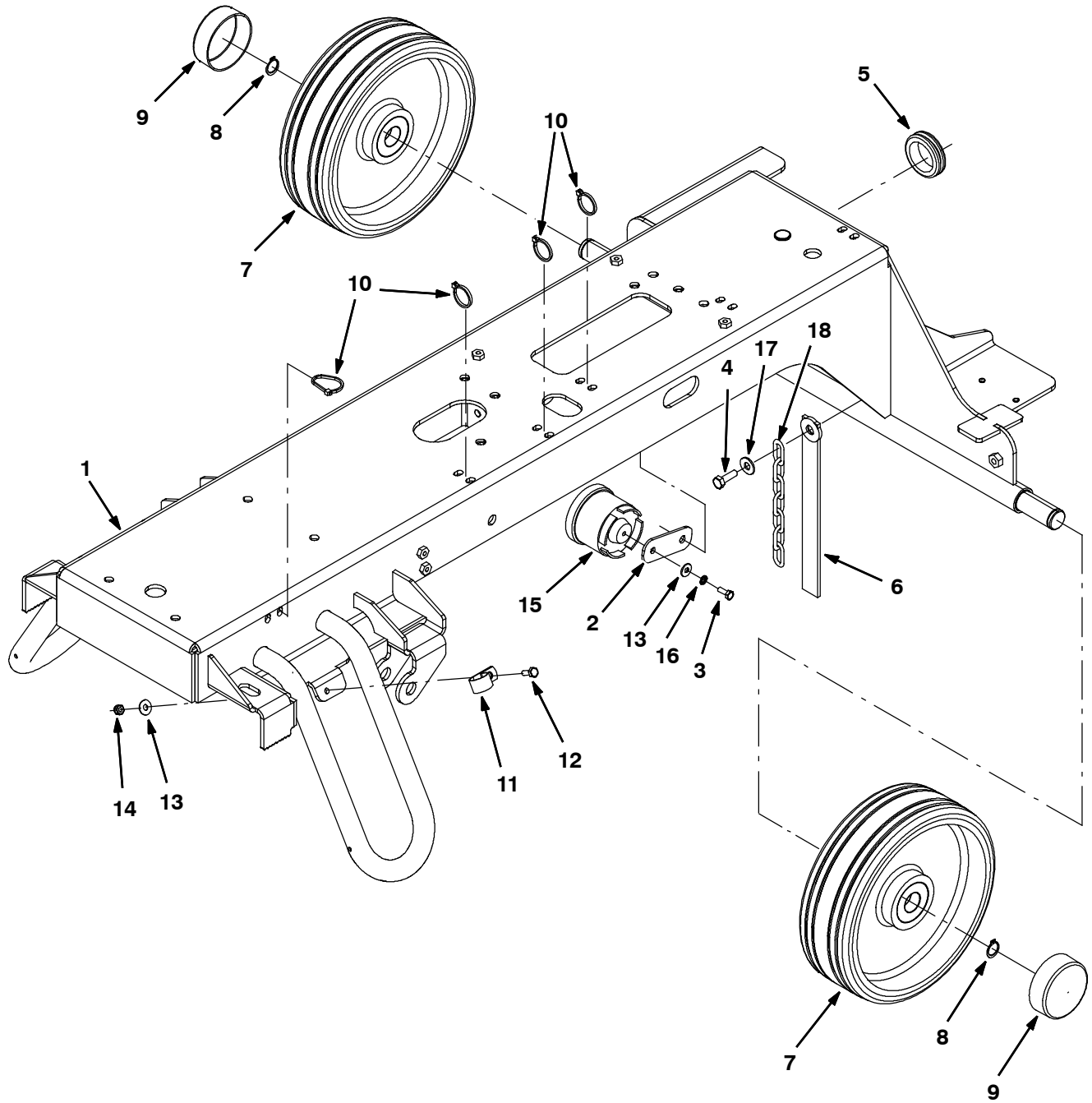


Fig. 5 - Main Frame Group, Cylindrical Scrub Head, 700 mm (28 in)

Ref.	Part No.	Description	Qty.
1	1056133	② Frame Wldt, Main, Cyl, 70/80cm [T7, R14]	1
1	1054035	① Frame Wldt, Main, Cyl, 70cm [T7, R14] (Replaced By 1056133)	1
2	1025354	Plate, Mtg, Horn	1
3	15678	Screw, Hex, M6 X 1.00 X 16, Ss	1
4	09011	Screw, Hex, M8 X 1.25 X 30, Ss	1
5	10632- 13	Grommet, Rbr, 1.50id, F/ 1.8h, .19matl	1
6	1014318	Strap, Static, 10.3l [Afmkt, 71579]	1
7	1038560	Tire Assy, Solid, 250mmx80mm, 25mm Id	2
8	09005	Ring, Retaining, Ext, 1.00D, Basic	2
9	1016957	Cap, Vyl, 70mm Id X 25mm L	2
10	49263	Tie, Cable, Nyl, 11.4l .19w 3.0 Max D	4
11	140300	Clamp, Cable, Stl, 0.50d [Insulated]	1
12	08716	Screw, Hex, M6 X 1.0 X 20, Ss	1
13	01684	Washer, Flat, 0.25 Ss	2
14	08712	Nut, Hex, Lock, M6 X 1.0, Ss, NI	1
15	1018505	Horn, 12- 48vdc	1
16	07515	Washer, Lock, Int, 0.25, Ss	1
17	01685	Washer, Flat, 0.38b 0.88d .08, Ss	1
18	43500	Chain, Coil, Str, #2/0, 09.0l 07 Link	1

① Serial number (30000000- 30078243)

② Serial number (30078244-)

STANDARD PARTS

Fig. 6 - Main Frame Group, Cylindrical Scrub Head, 800 mm (32 in)

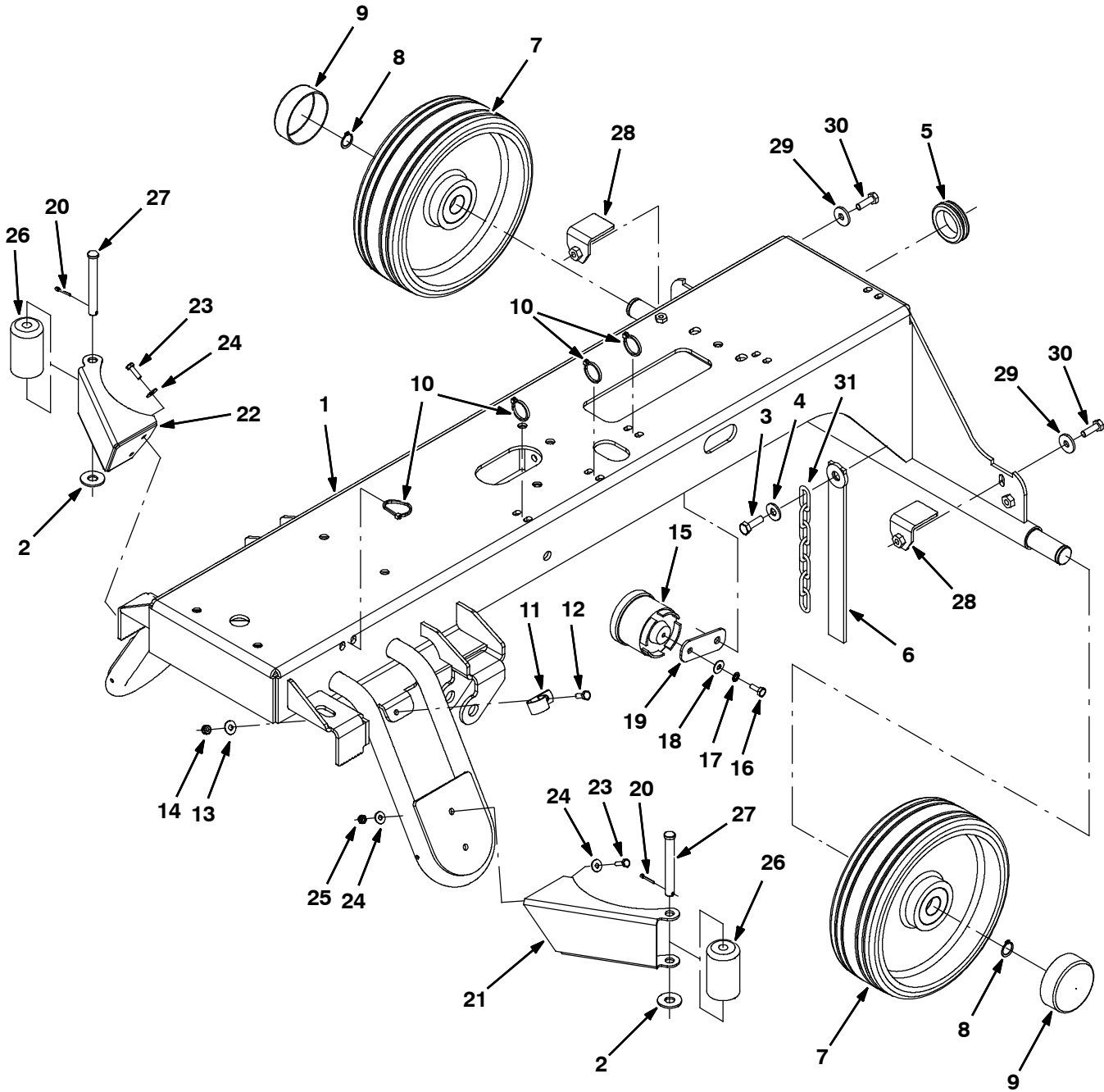


Fig. 6 - Main Frame Group, Cylindrical Scrub Head, 800 mm (32 in)

Ref.	Part No.	Description	Qty.
1	1075250	② Frame Wldt, Main, Cyl, 80cm [T7 Eu]	1
1	1056133	① Frame Wldt, Main, Cyl, 70/80cm [T7, R14] (Replaced By 1075250)	1
2	41619	Washer, Flat, 0.56b 1.38d .11, Ss	2
3	09011	Screw, Hex, M8 X 1.25 X 30, Ss	1
4	01685	Washer, Flat, 0.31 Ss	1
5	10632- 13	Grommet, Rbr, 1.50id, F/ 1.8h, .19matl	1
6	1014318	Strap, Static, 10.3l [Afmkt, 71579]	1
7	1038560	Tire Assy, Solid, 250mmx80mm, 25mm Id	2
7	1064376	Tire Assy, Solid, 250mm X 80, 25mmid,Pyu	2
8	09005	Ring, Retaining, Ext, 1.00D, Basic	2
9	1016957	Cap, Vyl, 70mm Id X 25mm L	2
10	49263	Tie, Cable, Nyl, 11.4l .19w 3.0 Max D	4
11	140300	Clamp, Cable, Stl, 0.50d [Insulated]	1
12	08716	Screw, Hex, M6 X 1.0 X 20, Ss	1
13	01684	Washer, Flat, 0.25 Ss	1
14	08712	Nut, Hex, Lock, M6 X 1.0, Ss, NI	1
15	1018505	Horn, 12- 48vdc	1
16	15678	Screw, Hex, M6 X 1.0 X 16, Ss	1
17	07515	Washer, Lock, Int, .25, Ss	1
18	01684	Washer, Flat, 0.25 Ss	2
19	1025354	Plate, Mtg, Horn	1
20	08346	Pin, Cotter, .125 X 0.75	2
21	1033355	Bracket, Guard, Lh (800cyl. Scrubhead)	1
22	1032971	Bracket, Guard, Rh (800cyl. Scrubhead)	1
23	08716	Screw, Hex, M6 X 1.0 X 20, Ss	4
24	01684	Washer, Flat, 0.25, Ss	8
25	08712	Nut, Hex, Lock, M6 X 1.00, Ss, NI	4
26	222178	Roller, Pyu, 1.88d 0.53b 3.05l (800cyl. Scrubhead)	2
27	51528	Pin, Clevis, 0.50d X 4.00l	2
28	1075252	② Tank, Mount, Bracket	2
29	1017218	② Washer, Flat, 0.32b 1.00d .12, Ss	2
30	12333	② Screw, Hex, M8 X 1.25 X 25, Ss, NI	2
31	43500	Chain, Coil, Str, #2/0, 09.0l 07 Link	1

① Serial number (30000000- 30078243)

② Serial number (30078244-)

Fig. 7 - Seat Group

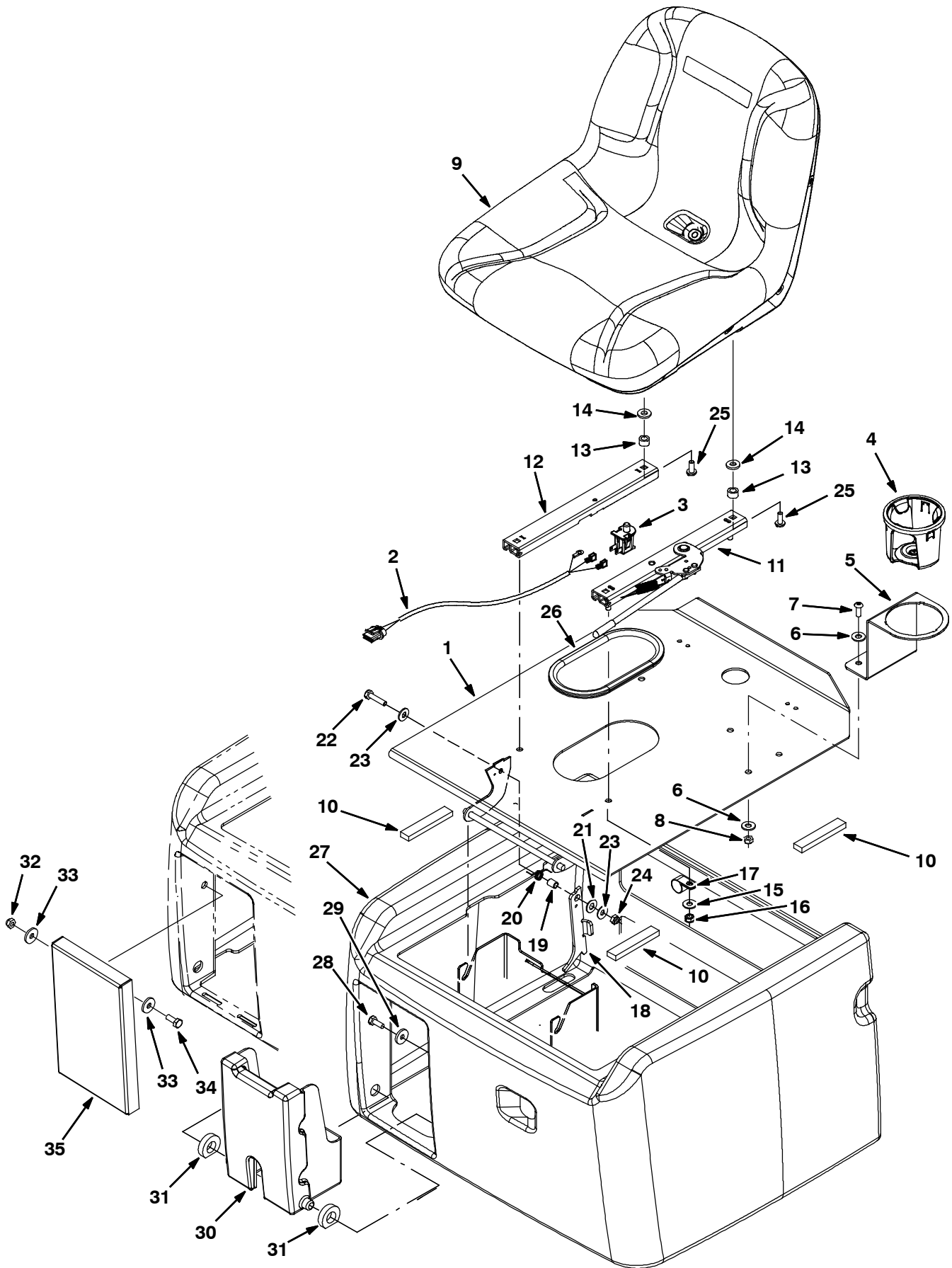


Fig. 7 - Seat Group

Ref.	Part No.	Description	Qty.	
1	1015406	Plate, Seat, W/ Label	1	
1	1036299	Plate, Seat, Afmkt, Tj (Japan)	1	
2	391951	Harness, Seat, [T7/Ssr]	1	
3	1048955	Switch, Seat, No [Delta 6440- 04]	1	
▽	1038062	Holder Kit, Cup, Assy [T7]	1	
▲	4	1025867	Holder, Cup, Blk [T7]	1
▲	5	1038081	Holder, Cup, Brkt, Blk, [T7]	1
▲	6	1016435	Washer, Flat, 0.52b 0.75d .06, Stl, Blk	4
▲	7	393135	Screw, Btn, M8 X 1.25 X 20, Blk	2
▲	8	08709	Nut, Hex, Lock, M8 X 1.25, NI	2
9	9005082	Seat Kit, Std, Replmt (Kit Includes Screw and Spacer)	1	
10	1046428	Seal, Afmkt, Rbr, Clsd, Adh, 02ft (ec-H2O Model)	1	
11	1077071	Track, Locking, 12.5l, No Stud W/Handle	1	
11	1017054	Rail, Adj, Slide, Seat, 11.5l, W/ Latch (Replaced By 1077071)	1	
12	1017076	Track, N- lkg, Seat, 12.5l, No Stud	1	
12	1017053	Rail, Adj, Slide, Seat, 11.5l (Replaced By 1077076)	1	
13	1051052	Spacer, Rnd, .38b .88d .38l	4	
14	69461	Washer, Flat, 0.38b 0.88d .12, Stl, PI	4	
15	32491	Washer, Flat, 0.31 Std	4	
16	01760	Nut, Hex, Lock, .31- 18, NI, Thin	4	
17	46236	Clamp, Cable, Stl, 0.25D X 0.56W, 1H	1	
18	1016000	Plate, Stop, Seat	1	
19	1017699	Sleeve, P/M, 0.437d 0.318b 0.57l 430ss	1	
20	10928	Spring, Tors, 0.49id .05wir 05.0coil	1	
21	1018151	Washer, Flat, 0.44b 0.88d .06, Nyl	1	
22	09023	Screw, Hex, M8 X 1.25 X 35, Ss, FI	1	
23	01685	Washer, Flat, 0.31 Ss	2	
24	08713	Nut, Hex, Lock, M8 X 1.25, NI, Ss	1	
25	76956	Screw, Hex, .31- 18 X 1.25, G5	4	
26	1020170	Molding, Afmkt, Trim, Pvc, .08- .11, 2ft	1	
27	1033968	Cover, Box, Battery, Afmkt, Teal[T7]	1	
28	09740	Screw, Hex, M8 X 1.25 X 20, Ss	2	
29	1017218	Washer, Flat, 0.321b 1.00d .12, Ss	2	
30	1035037	Box, Holder, Ci [T7 Fast] (Teal)	1	
31	1016553	Seal, Rbr	2	
32	08713	Nut, Hex, Lock, M8 X 1.25, NI, Ss (Standard & ec- H2O Models)	2	
33	1017218	Washer, Flat, 0.32b 1.00d .12, Ss (Standard & ec- H2O Models)	4	
34	09740	Screw, Hex, M8 X 1.25 X 20, Ss (Standard & ec- H2O Models)	2	
35	1051138	Bracket, Cover, Fast Open [T7 Ec- H2o] (Standard & ec- H2O Models)	1	

Fig. 8 - Steering Group

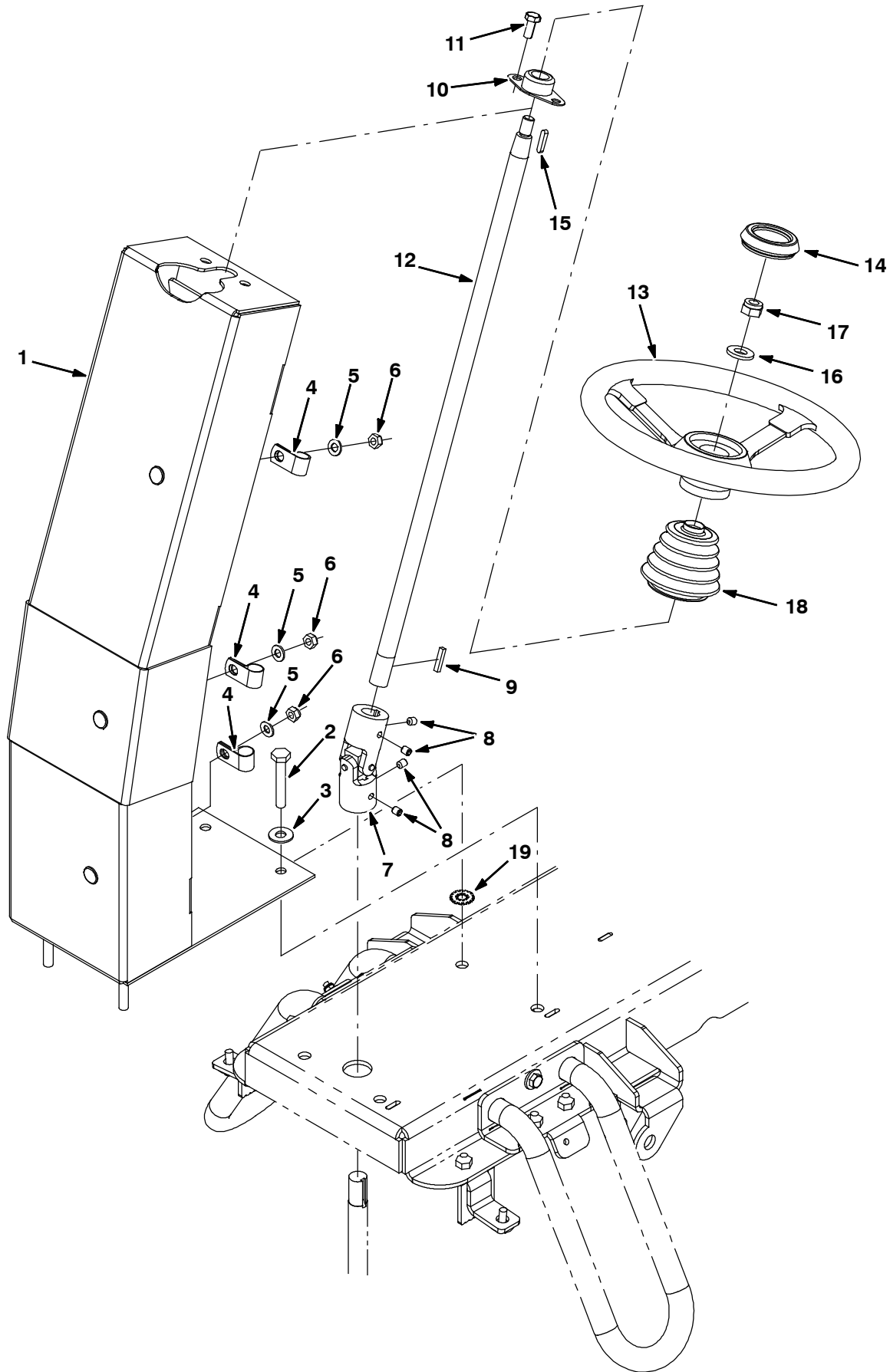


Fig. 8 - Steering Group

Ref.	Part No.	Description	Qty.
1	1072829	Support Wldt, Steering	1
2	04417	Screw, Hex, M10 X 1.5 X 60, Ss	4
3	01686	Washer, Flat, 0.44b 1.00 .08, Ss	4
4	69234	Clamp, Cable, Stl, 1.00d X 0.62w, 1h	3
5	39349	Washer, Flat, 0.31 Sae	3
6	08709	Nut, Hex, Lock, M8 X 1.25, NI	3
7	1040295	Joint, U, 0.75id	1
8	46820	Screw, Set, .31- 18 X 0.38, NI	4
9	00912	Key, Sq, 0.19 X 0.19, 1.00l	1
10	223065	Bearing, Flng, 2- Hole, 0.75b [Nyl]	1
11	09740	Screw, Hex, M8 X 1.25 X 20, Ss	2
12	1013164	Shaft, Steering, Wheel	1
13	1012002	Wheel, Steering, 300mm	1
14	1019706	Cap, Steering Wheel	1
15	1014328	Key, Sq, 05mm X 05mm, 25l	1
16	64154	Washer, Flat, 0.53b 1.12d .11, Stl, PI	1
17	08711	Nut, Hex, Lock, M12 X 1.75, NI	1
18	1012437	Bellows, Shaft, Steering	1
19	41142	Washer, Lock, Int- ext, 0.38	1

Fig. 9 - Instrument Panel Group

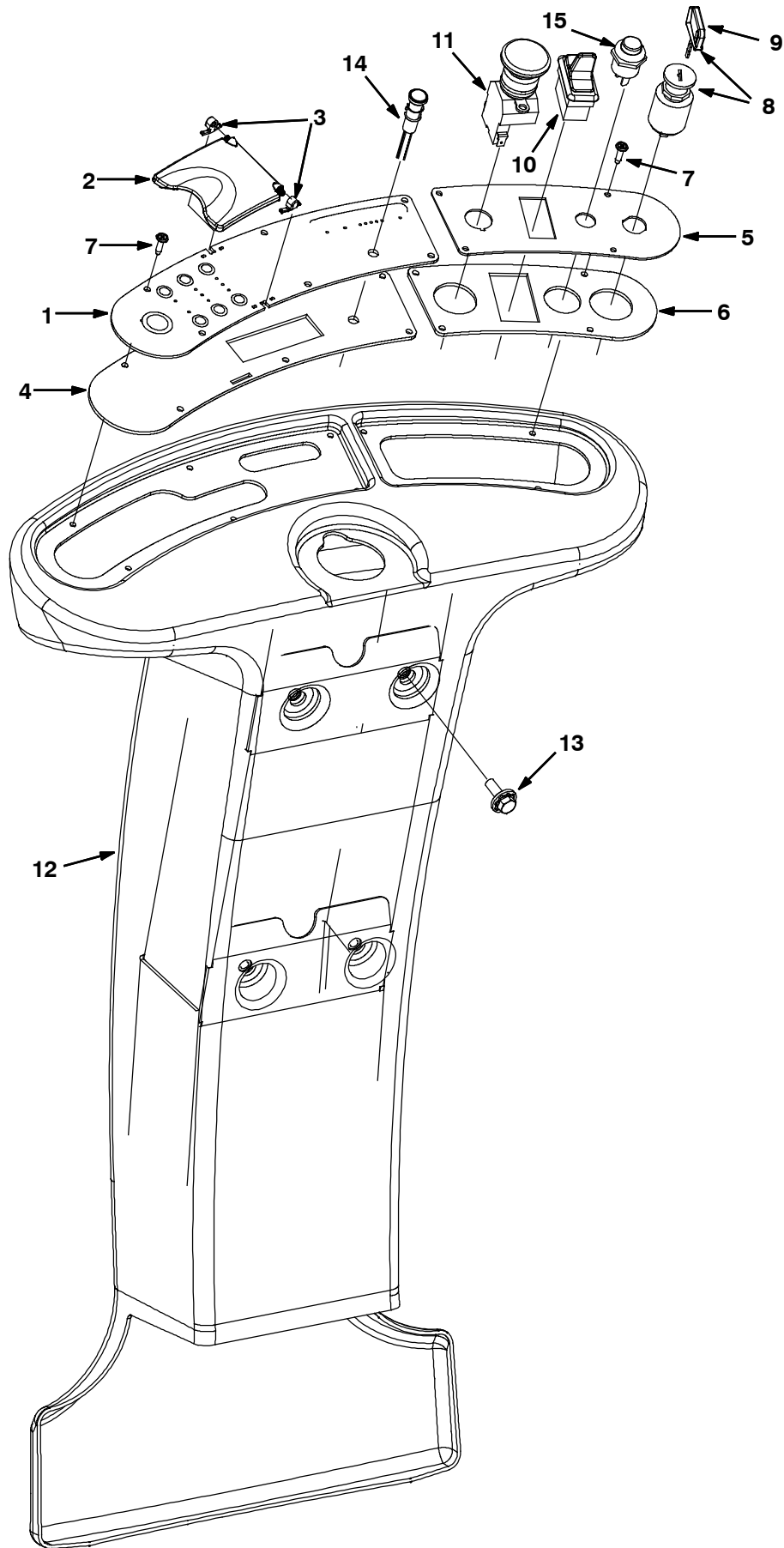


Fig. 9 - Instrument Panel Group

Ref.	Part No.	Description	Qty.	
1	1076470	Panel, Instmt, Lh, Afmkt [T7]	1	
1	1076471	Panel, Instmt, Lh, Afmkt [Ec- h2oT7]	1	
2	1012197	Cover, Panl, Instmt	1	
3	1011952	Block, Pivot, Cover	2	
4	1052607	Gasket, Panl, Instmt, Lh, .13, Foam, Adh	1	
5	1046313	Panel, Instmt, Rh	1	
6	1014080	Gasket, Panl, Instmt, Rh	1	
7	72969	Rivet, Plstc, .181d X 0.720	10	
▽	8	1011402	Switch, Key	1
▲	9	1017696	Key Set, Replmt [F/ Keyswitch 1011402]	1
10	1072040	Switch, Rocker, Spst, Paddle	1	
11	1011735	Switch, Safety, Shutoff	1	
12	1015415	Column, Steering, W/Label [T7] (Teal)	1	
12	1036372	Column, Steering, Afmkt, Tj (Japan)	1	
12	9006188	Column, Steering, Teal [T7 Ec- H2o]	1	
13	1072628	Screw, Hex, M8 X 1.25 X 25, Ss, Sems	4	
14	1041822	Light, Led, .312d, 2 Volt [Tri- Color] (ec-H2O Model)	1	
15	1014832	Switch, Horn	1	

Fig. 10 - Front Drive Wheel Group

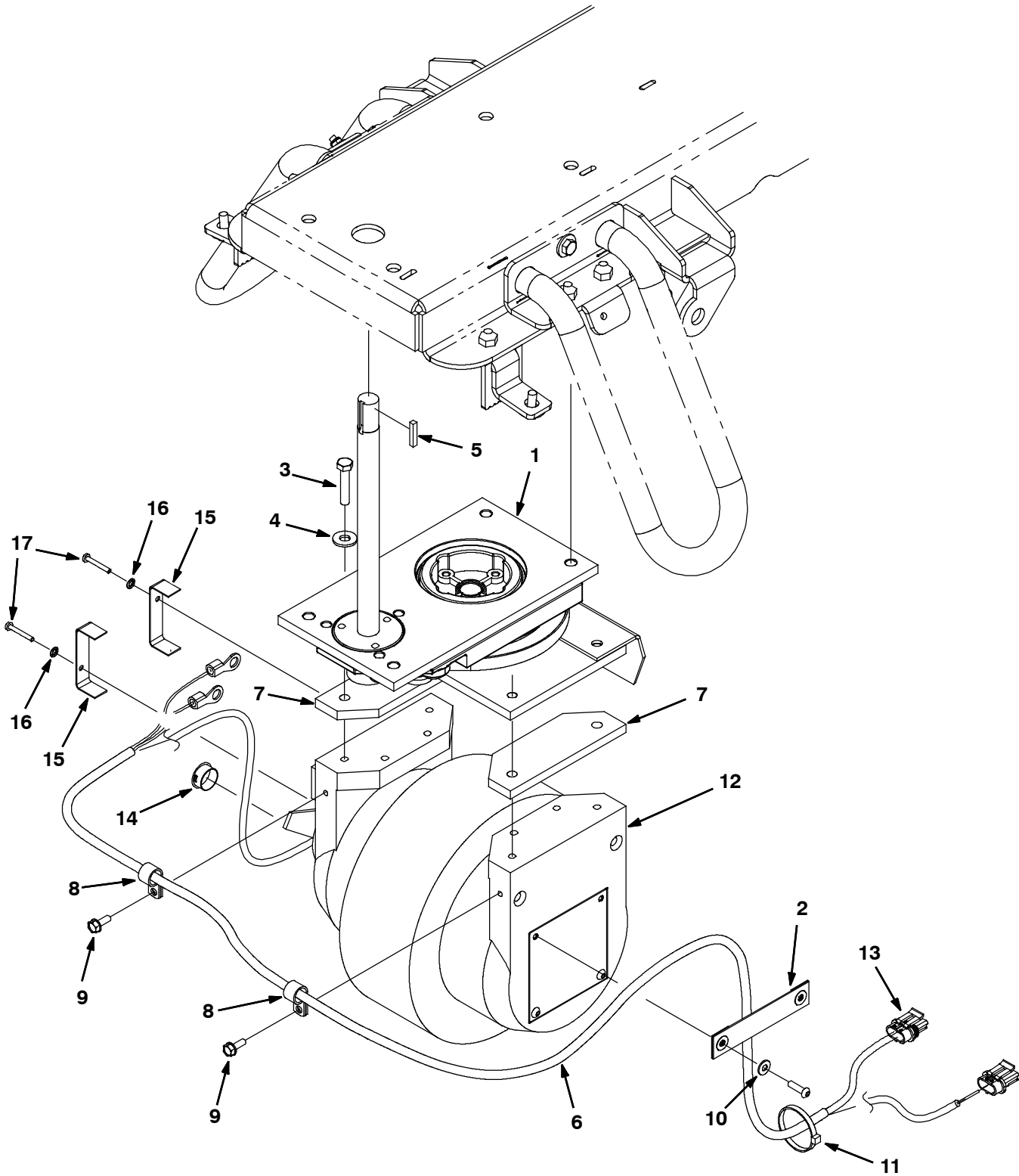


Fig. 10 - Front Drive Wheel Group

Ref.	Part No.	Description	Qty.
1	1019724	Steer- Control Assy, Wheel Drive (See Breakdown)	1
2	1019224	Strap, Nyl	1
3	09010	Screw, Hex, M8 X 1.25 X 25, Ss (Disk Brush)	4
3	09026	Screw, Hex, M8 X 1.25 X 40, Ss (Cylindrical Brush)	4
4	01685	Washer, Flat, 0.31 Ss	4
5	00912	Key, Sq, 0.19 X 0.19, 1.00l	1
6	1065808	Harness, Motor, Brake [T7/Ssr]	1
7	1028873	Plate, Spacer, Drive (Cylindrical Brush)	2
8	140300	Clamp, Cable, Stl, 0.50d [Insulated]	2
9	361339	Screw, Hex, M6 X 1.0 X 16, Fmg	2
10	19066	Washer, Flat, #10	2
11	130773	Tie, Cable, Nyl, 11.0l, .14w, 3.0 Max. D	4
▽	12	9008999 Gearbox Kit, Wheel, 250mm, W/ Connector (Note: Does NOT Include Motor Brake Harness) (See Breakdown)	1
▲	13	1047186 Connector, Fem, 3 Recept [Mp630]	1
	14	130161 Plug, Hole, Rnd, 0.88d, Blk	1
	15	1064972 Bracket, Cord	2
	16	02938 Washer, Lock, Int, 08, Ss	2
	17	33931 Screw, Pan, Phl, M4 X 0.70 X 30, Ss	2

Fig. 11 - Brake Pedal and Accelerator Pedal Group

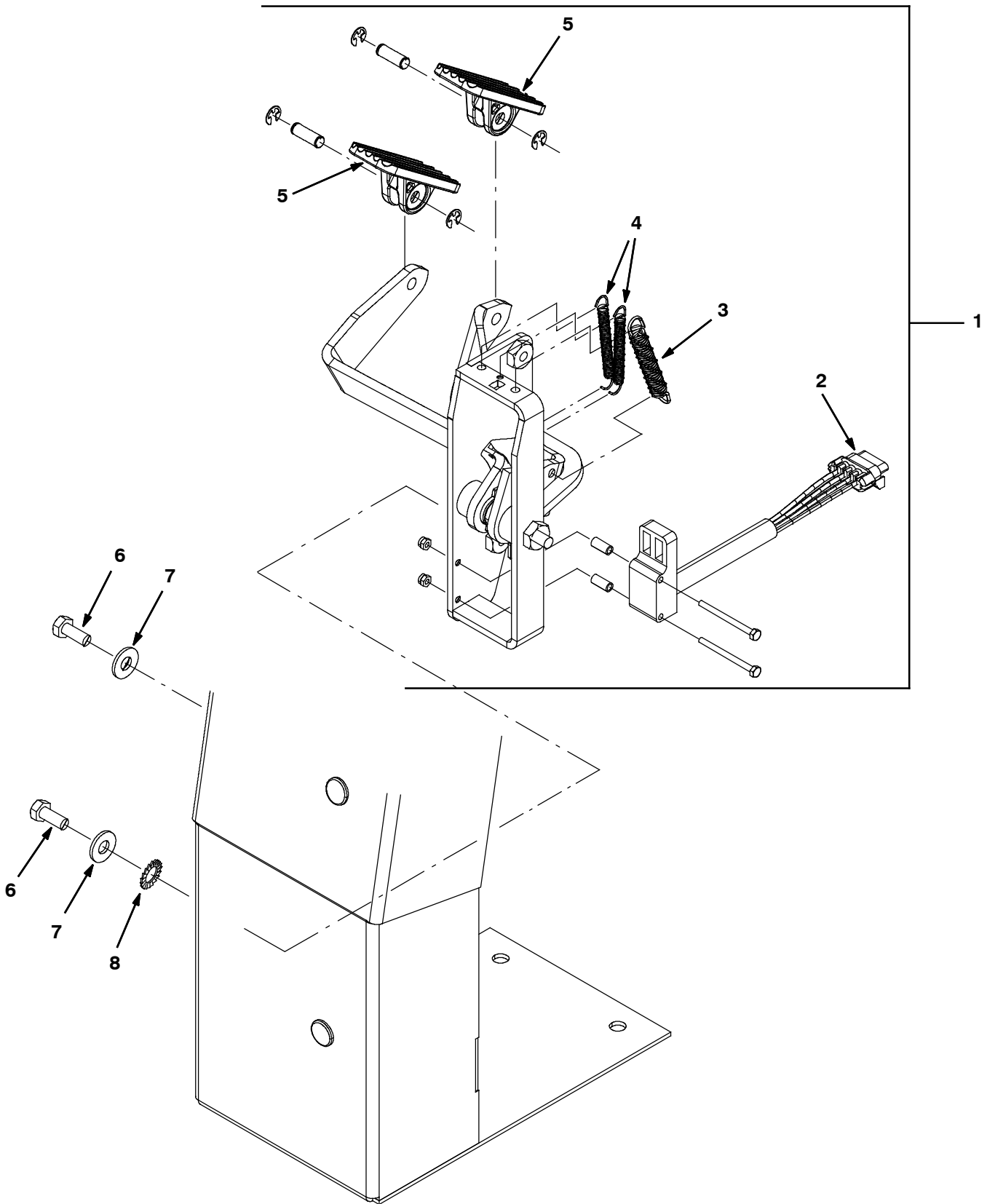


Fig. 11 - Brake Pedal and Accelerator Pedal Group

	Ref.	Part No.	Description	Qty.
▽	1	1072477	Pedal Assy, Accelerator, Brake	1
▲	2	1058687	Vr, Sensor, Position [Hall]	1
▲	3	1031716	Spring, Extn, 0.50od 0.07wir 03.0l	1
▲	4	1061049	Vr, Spring, Extn, 0.35od 0.05wir 02.8l	2
▲	5	1072478	Vr, Pedal, Foot, W/ Tread	2
	6	09740	Screw, Hex, M8 X 1.25 X 20, Ss	2
	7	01685	Washer, Flat, 0.38b 0.88d .08, Ss	2
	8	41141	Washer, Lock, Int- Ext, 0.31	1

Fig. 12 - Disk Scrub Head Lift Group

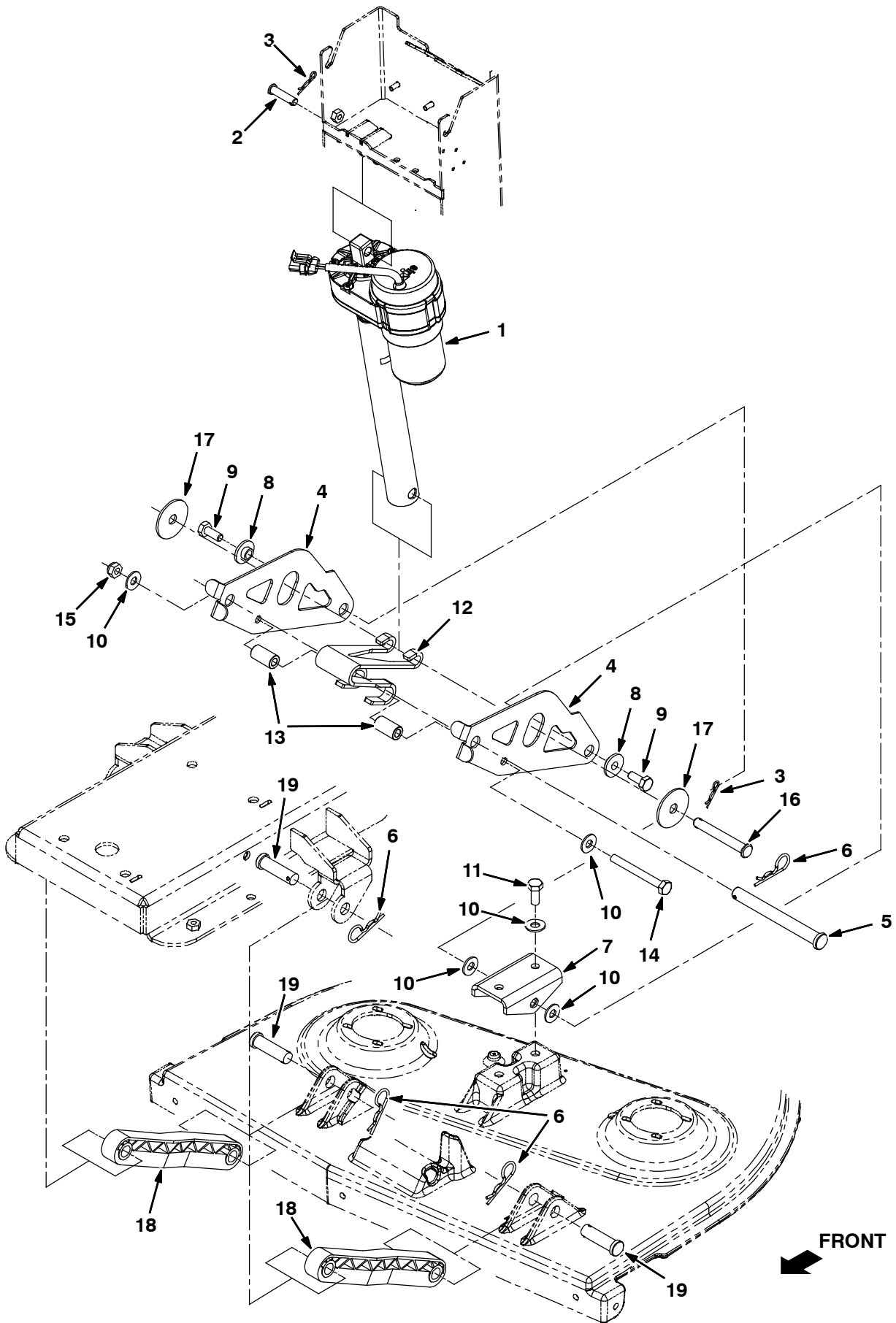


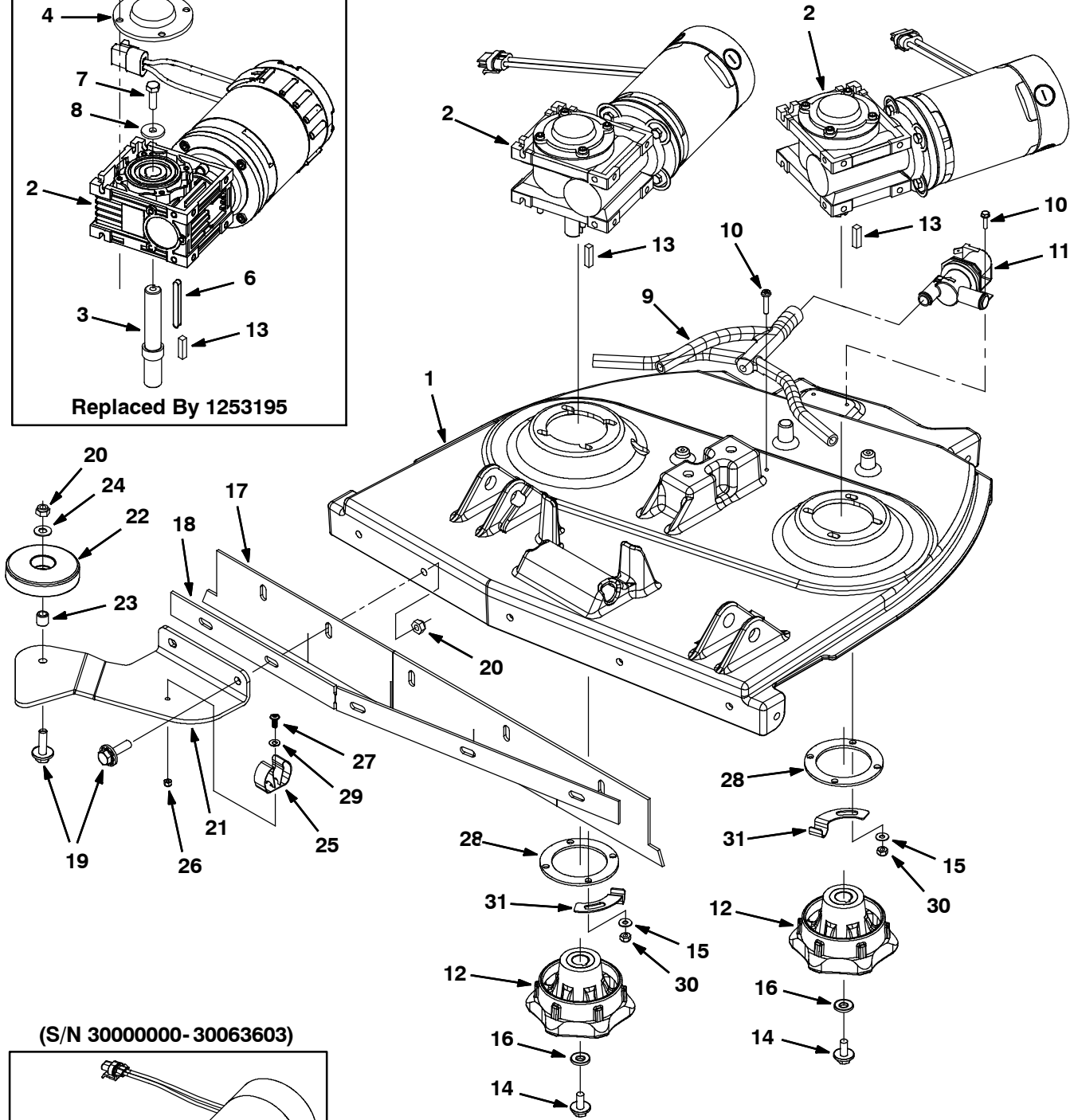
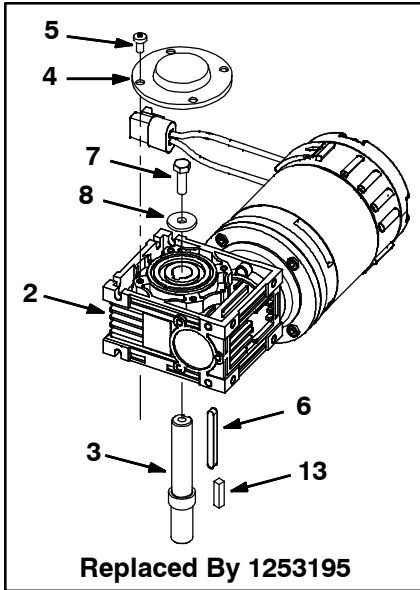
Fig. 12 - Disk Scrub Head Lift Group

Ref.	Part No.	Description	Qty.
1	1056622	Actuator, 24vdc, 04.5strk, 0600lb	1
2	1009356	Pin, Clevis , 10mm X 40l	1
3	86866	Pin, Hair Cotter, 0.38 D .072 Wir	2
4	1013278	Plate, Arm, Cntr, Lift, Scb Head	2
5	1010401	Pin, Clevis, 16d X 150l	1
6	02942	Pin, Hair Cotter, 0.62 D .120 Wir	5
7	1014076	Bracket, Lift	1
8	363087	Bushing, Flng, 0.44b 1.25d 0.25l	2
9	09770	Screw, Hex, M10 X 1.5 X 25, Ss, NI	2
10	01686	Washer, Flat, 0.44b 1.00 .08, Ss	6
11	09028	Screw, Hex, M10 X 1.5 X 25, Ss	2
12	1015413	Spring, Lift, Head, Scb	1
13	1013281	Sleeve, P/M, 18.5d 10.5b 34l 430 Ss	2
14	09746	Screw, Hex, M10 X 1.5 X 90, Ss	1
15	08714	Nut, Hex, Lock, M10 X 1.5, NI, Ss	1
16	1013356	Pin, Clevis, 12mm D X 90mm L	1
17	57048	Washer, Flat, 0.53b 2.13d .11, Stl, Pl	2
18	222027	Arm, Lift, Head	2
19	222210	Pin, Clevis, 0.62 D X 2.12l	4

STANDARD PARTS

Fig. 13 - Disk Scrub Head Drive Motor Group, 650 mm (26 in)

(S/N 30063604- 30122410)



(S/N 30000000- 30063603)

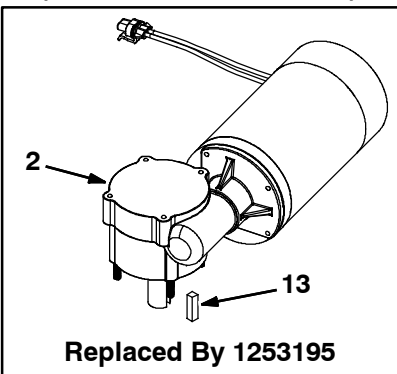


Fig. 13 - Disk Scrub Head Drive Motor Group, 650 mm (26 in)

Ref.	Part No.	Description	Qty.	
	1	1013560	Head, Scb, 650mm	1
	2	1253195	③ Motor, Ele, 24vdc 0285rpm	2
▽	2	1210864	② Motor, Ele, 24vdc 0260rpm (Replaced By 1253195)	2
▲		372878	② Brush Kit, Motor, Ele	1
▲		372879	② Hook, Safety	1
▲		372880	② Cover, Brush, Ele Motor	1
▲	3	1212130	② Shaft, Drive, Brush	1
▲	4	1212132	② Cap, Motor	1
▲	5	363503	② Screw, Pan, Phl, M6 X 1.00 X 12, Ss	4
▲	6	1212131	② Key, Sq, 06mm X 06mm, 60mml	1
▲	7	09740	② Screw, Hex, M8 X 1.25 X 20, Ss	1
▲	8	1017218	② Washer, Flat, 0.32b 1.00d .12, Ss	1
▽	2	1048884	① Motor, Ele, 24 Vdc 0285rpm (Replaced By 1253195)	2
▲		1048888	① Vr, Brush Kit, Motor, 1048884	1
	9	1014228	Manifold, Soltn, 650mm	1
	10	1016520	Screw, Hex, M4 X 0.7 16 Fmg, Ss	3
	11	1214973	Valve, Water, Solenoid, 24vdc, Bm10/Bm10	1
	12	1071636	Hub, Drive, Brush, Disk, 0.75b [6t]	2
	13	00928	Key, Sq, 0.25 X 0.25, 1.00l	2
	14	1020341	Screw, Hex, M8 X 1.25 X 20, Ss, Sems	2
	15	01684	Washer, Flat, 0.27b 0.69d .05, Ss (ec-H2O Model)	2
	16	1017218	Washer, Flat, 0.32b 1.00d .12, Ss	2
	17	1013531	Skirt, Spray, 650mm	1
	18	1013532	Retainer, Skirt, 650mm	1
	19	1072816	Screw, Hex, M8 X 1.25 X 30, Ss, Sems	6
	20	08713	Nut, Hex, Lock, M8 X 1.25, NI, Ss	6
	21	1052198	Bracket, Wheel, Guiide 650mm	1
	22	1010560	Wheel, Bumper, 80d X 25w, Non- Marking	1
	23	222460	Sleeve, P/, 0.49D 0.318B 0.50L 430Ss	1
	24	140027	Washer, Flat, 0.35b 0.75d .04, Ss	1
	25	1014295	Clip, Grip, Hose, 0.75- 1.12, Stl,Blk Vyl (ec-H2O Model)	1
	26	33932	Nut, Hex, Lock, M4 X 0.70, NI, Ss (ec-H2O Model)	1
	27	607006	Screw, Trs, M4 X 0.70 X 12, Phl, PI (ec-H2O Model)	1
	28	1013821	Plate, Sppt	2
	29	140011	Washer, Flat, 0.21b 0.45d .03, Ss (ec-H2O Model)	1
	30	08712	Nut, Hex, Lock, M6 X 1.0, Ss, NI	8
	31	1052298	Bracket, Support, Hose [T7] (ec-H2O Model)	2

① Serial number (30000000- 30063603)

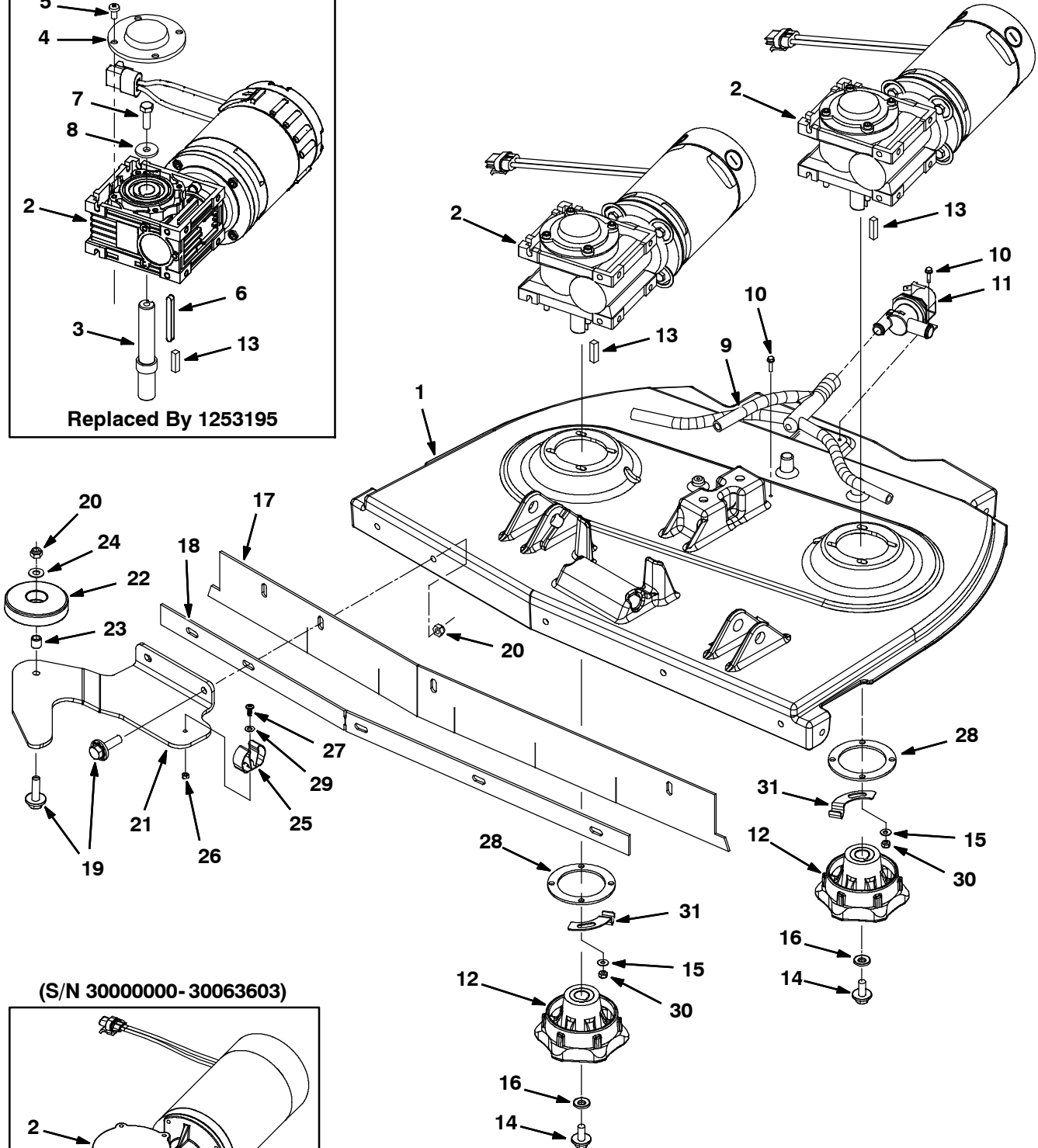
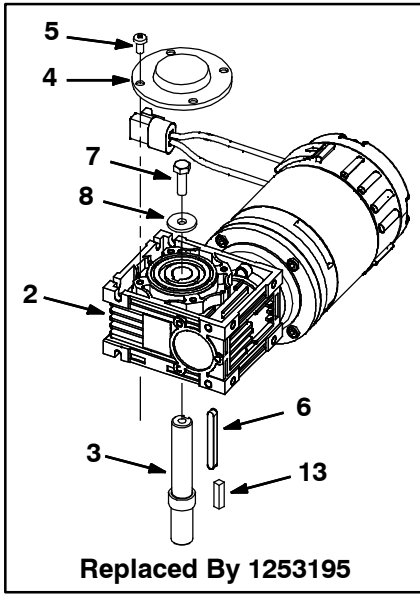
② Serial number (30063604- 30122410)

③ Serial number (30122411-)

STANDARD PARTS

Fig. 14 - Disk Scrub Head Drive Motor Group, 800 mm (32 in)

(S/N 30063604- 30122410)



(S/N 30000000- 30063603)

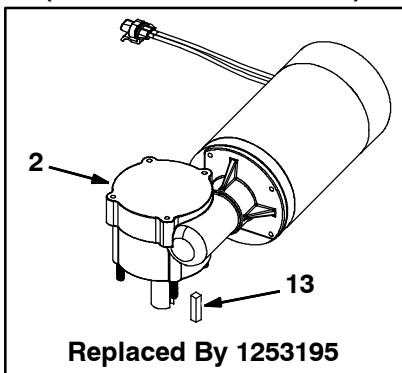


Fig. 14 - Disk Scrub Head Drive Motor Group, 800 mm (32 in)

Ref.	Part No.	Description	Qty.	
	1	1012630	Head, Scb, 800mm	1
	2	1253195	③ Motor, Ele, 24vdc 0285rpm	2
▽	2	1210864	② Motor, Ele, 24vdc 0260rpm (Replaced By 1253195)	2
▲		372878	② Brush Kit, Motor, Ele	1
▲		372879	② Hook, Safety	1
▲		372880	② Cover, Brush, Ele Motor	1
▲	3	1212130	② Shaft, Drive, Brush	1
▲	4	1212132	② Cap, Motor	1
▲	5	363503	② Screw, Pan, Phl, M6 X 1.00 X 12, Ss	4
▲	6	1212131	② Key, Sq, 06mm X 06mm, 60mml	1
▲	7	09740	② Screw, Hex, M8 X 1.25 X 20, Ss	1
▲	8	1017218	② Washer, Flat, 0.32b 1.00d .12, Ss	1
▽	2	1048884	① Motor, Ele, 24 Vdc 0285rpm (Replaced By 1253195)	2
▲		1048888	① Vr, Brush Kit, Motor, 1048884	1
	9	1014776	Manifold, Soltn, 800mm	1
	10	1016520	Screw, Hex, M4 X 0.7 16 Fmg, Ss	3
	11	1214973	Valve, Water, Solenoid, 24vdc, Bm10/Bm10	1
	12	1071636	Hub, Drive, Brush, Disk, 0.75b [6t]	2
	13	00928	Key, Sq, 0.25 X 0.25, 1.00l	2
	14	1020341	Screw, Hex, M8 X 1.25 X 20, Ss, Sems	2
	15	01684	Washer, Flat, 0.27b 0.69d .05, Ss (ec-H2O Model)	2
	16	1017218	Washer, Flat, 0.32b 1.00d .12, Ss	2
	17	1011376	Skirt, Spray, 800mm	1
	18	1012359	Retainer, Skirt, 800mm	1
	19	1072816	Screw, Hex, M8 X 1.25 X 30, Ss, Sems	6
	20	08713	Nut, Hex, Lock, M8 X 1.25, NI, Ss	6
	21	1052393	Bracket, Wheel, Guide	1
	22	1010560	Wheel, Bumper, 80d X 25w, Non-Marking	1
	23	222460	Sleeve, P/, 0.49D 0.318B 0.50L 430Ss	1
	24	140027	Washer, Flat, 0.35b 0.75d .04, Ss	1
	25	1014295	Clip, Grip, Hose, 0.75- 1.12, Stl,Blk Vyl (ec-H2O Model)	1
	26	33932	Nut, Hex, Lock, M4 X 0.70, NI, Ss (ec-H2O Model)	1
	27	607006	Screw, Trs, M4 X 0.70 X 12, Phl, PI (ec-H2O Model)	1
	28	1013821	Plate, Sppt	2
	29	140011	Washer, Flat, 0.21b 0.45d .03, Ss (ec-H2O Model)	1
	30	08712	Nut, Hex, Lock, M6 X 1.0, Ss, NI	8
	31	1052298	Bracket, Support, Hose [T7] (ec-H2O Model)	2

① Serial number (30000000- 30063603)

② Serial number (30063604- 30122410)

③ Serial number (30122411-)

Fig. 15 - Disk Scrub Head Side Squeegee Group, Right

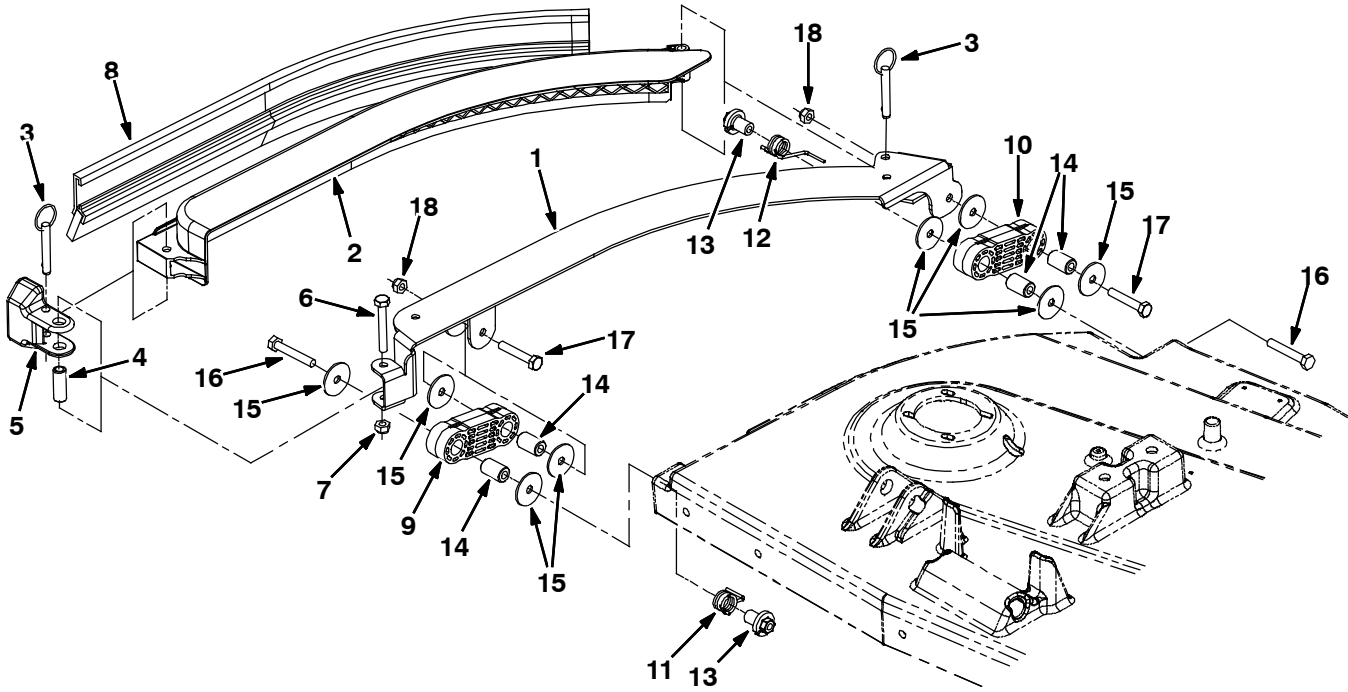


Fig. 15 - Disk Scrub Head Side Squeegee Group, Right

Ref.	Part No.	Description	Qty.
1	1017910	Support Wldt, Sqge, Rh	1
2	1017832	Retainer, Sqge, Rh	1
3	1015989	Pin, Hitch, .312d X 1.62l	2
4	1017495	Sleeve, P/M, 0.496d 0.318b 1.375 Ss	1
5	1074201	Block, Guard, Yellow	1
6	222504	Screw, Hex, M8 X 1.25 X 55, Ss	1
7	08713	Nut, Hex, Lock, M8 X 1.25, NI, Ss	1
8	86859	Squeegee Assy, Side [Linatex] (Standard)	1
8	1058731	Squeegee Assy, Side, Disc, Ure (Optional)	1
8	1058729	Squeegee Assy, Side, Disc, Gum (Optional)	1
9	1010876	Link, Sqge	1
10	1017785	Link, Sqge	1
11	1011344	Spring, Tors	1
12	1011334	Spring, Tors	1
13	1011317	Retainer, Spring	2
14	1011717	Sleeve, P/M, 0.625d 0.318b 1.00 L 430ss	4
15	1011719	Washer, Flat, 0.33b 1.38d .075, Ss	8
16	49694	Screw, Hex, M8 X 1.25 X 50, Ss	2
17	222505	Screw, Hex, M8 X 1.25 X 45, Ss	2
18	08713	Nut, Hex, Lock, M8 X 1.25, NI, Ss	2

Fig. 16 - Disk Scrub Head Side Squeegee Group, Left

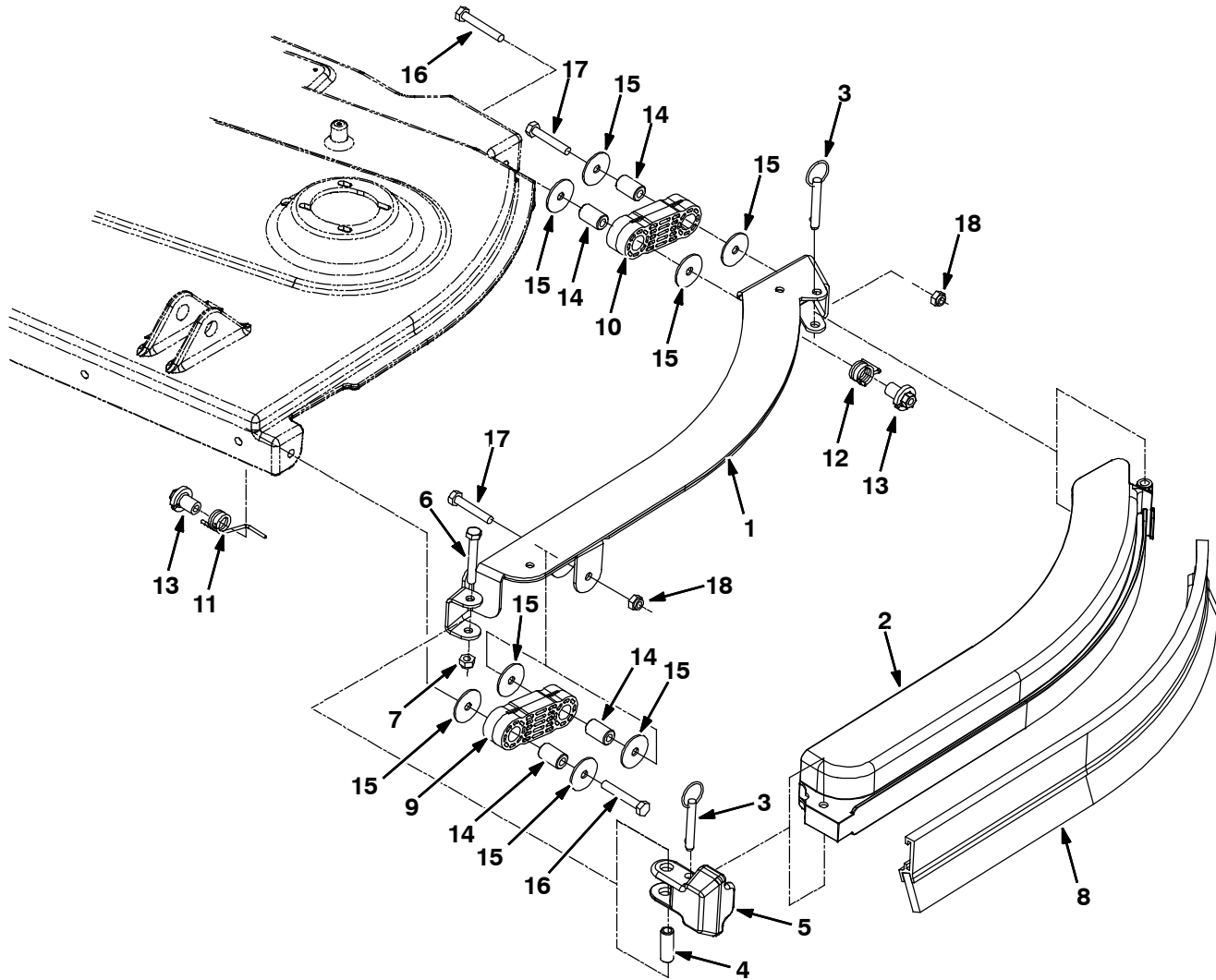


Fig. 16 - Disk Scrub Head Side Squeegee Group, Left

Ref.	Part No.	Description	Qty.
1	1017534	Support Wldt, Sqge, Lh	1
2	1017653	Retainer, Sqge, Lh	1
3	1015989	Pin, Hitch, .312d X 1.62l	2
4	1017495	Sleeve, P/M, 0.496d 0.318b 1.375 Ss	1
5	1074201	Block, Guard, Yellow	1
6	222504	Screw, Hex, M8 X 1.25 X 55, Ss	1
7	08713	Nut, Hex, Lock, M8 X 1.25, NI, Ss	1
8	86859	Squeegee Assy, Side [Linatex] (Standard)	1
8	1058731	Squeegee Assy, Side, Disc, Ure (Optional)	1
8	1058729	Squeegee Assy, Side, Disc, Gum (Optional)	1
9	1010876	Link, Sqge	1
10	1017785	Link, Sqge	1
11	1011344	Spring, Tors	1
12	1011334	Spring, Tors	1
13	1011317	Retainer, Spring	2
14	1011717	Sleeve, P/M, 0.625d 0.318b 1.00 L 430ss	4
15	1011719	Washer, Flat, 0.33b 1.38d .075, Ss	8
16	49694	Screw, Hex, M8 X 1.25 X 50, Ss	2
17	222505	Screw, Hex, M8 X 1.25 X 45, Ss	2
18	08713	Nut, Hex, Lock, M8 X 1.25, NI, Ss	2

Fig. 17 - Cylindrical Scrub Head Lift Group

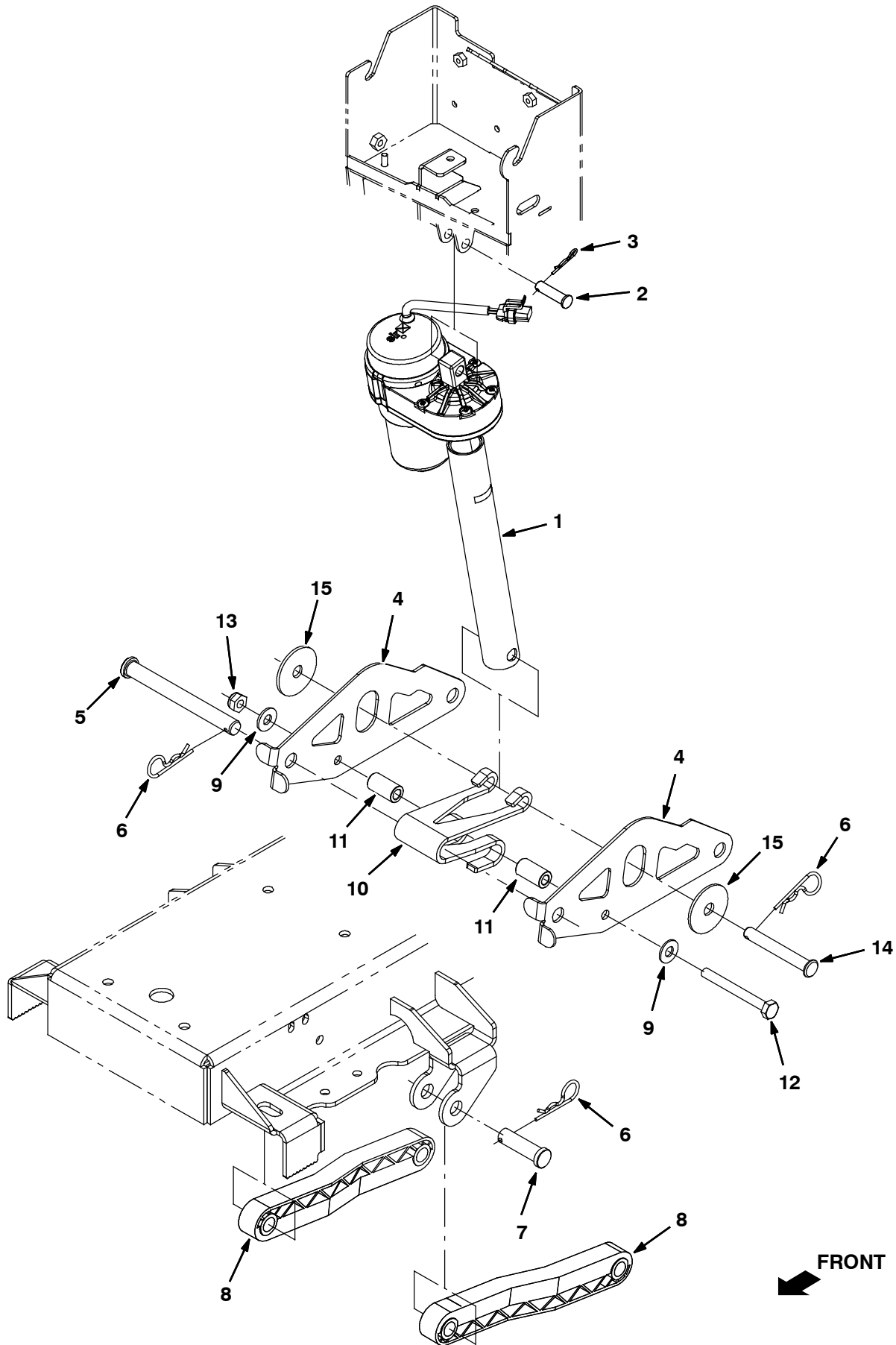


Fig. 17 - Cylindrical Scrub Head Lift Group

Ref.	Part No.	Description	Qty.
1	1056622	Actuator, 24vdc, 04.5strk, 0600lb	1
2	1009356	Pin, Clevis , 10mm X 40l	1
3	86866	Pin, Hair Cotter, 0.38 D .072 Wir	1
4	1013278	Plate, Arm, Cntr, Lift, Scb Head	2
5	1010401	Pin, Clevis, 16d X 150l	1
6	02942	Pin, Hair Cotter, 0.62 D .120 Wir	4
7	222210	Pin, Clevis, 0.62 D X 2.12l	2
8	222027	Arm, Lift, Head	2
9	01686	Washer, Flat, 0.44b 1.00 .08, Ss	2
10	1015413	Spring, Lift, Head, Scb	1
11	1013281	Sleeve, P/M, 18.5d 10.5b 34l 430 Ss	2
12	09746	Screw, Hex, M10 X 1.5 X 90, Ss	1
13	08714	Nut, Hex, Lock, M10 X 1.5, NI, Ss	1
14	1013356	Pin, Clevis, 12mm D X 90mm L	1
15	57048	Washer, Flat, 0.53b 2.13d .11, Stl, PI	2

Fig. 18 - Cylindrical Scrub Head Group, 700mm (28 in)

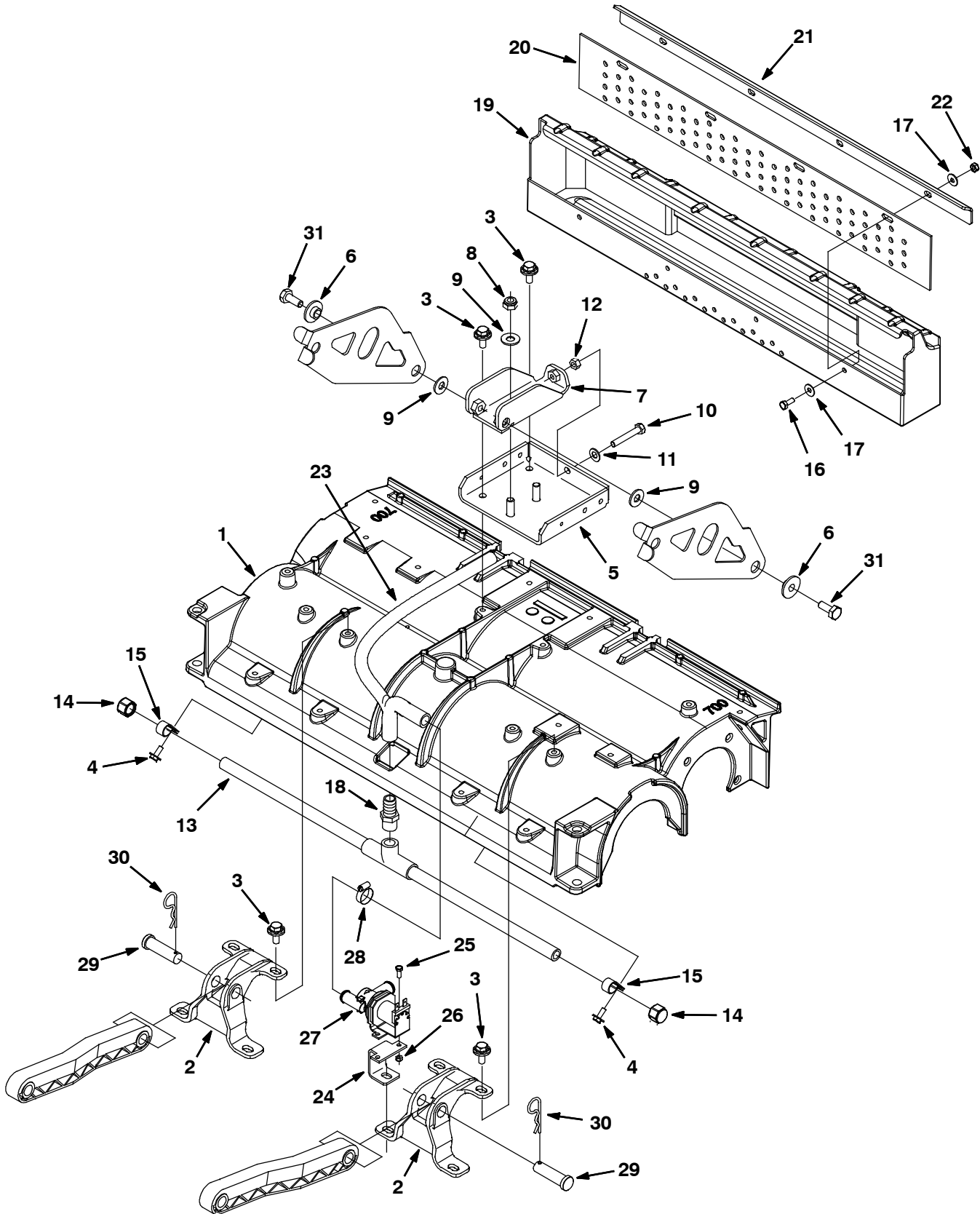


Fig. 18 - Cylindrical Scrub Head Group, 700mm (28 in)

Ref.	Part No.	Description	Qty.
1	1029131	Housing, Machining, Head, 70 Cm Cyl	1
2	1031416	Mount, Link, Mach	2
3	1020341	Screw, Hex, M8 X 1.25 X 20, Ss, Sems	12
4	1034731	Screw, Hex, M6 X 1.00 X 16, Sems, Ss	2
5	1029531	Channel, Lift	1
6	363087	Bushing, Flng, 0.44b 1.25d 0.25l	2
7	1029538	Bracket, Lift, Upper	1
8	08714	Nut, Hex, Lock, M10 X 1.5, NI, Ss	2
9	01686	Washer, Flat, 0.44b 1.00d .08, Ss	4
10	578717	Screw, Hex, M8 X 1.25 X 50, Ss, FI	1
11	140027	Washer, Flat, 0.35b 0.75d .04, Ss	1
12	07786	Nut, Hex, Std, M8 X 1.25, Ss	1
13	1029215	Tube Assy, Bar, Spray [70cm]	1
14	1025580	Fitting, Pipe, Cap, P06, Nyl	2
15	33584	Clamp, Cable, Stl, 0.63d X 0.50w, 1h	2
16	11329	Screw, Hex, M6 X 1.0 X 16, Ss, NI	4
17	01684	Washer, Flat, 0.25, Ss	8
18	41440	Fitting, Plstc, Str, Bm10/Pm08	1
19	9005805	Hopper, Debris, 70cm, Black, Afmkt	1
20	1029274	Skirt, Tray, Debris [70cm]	1
21	1029272	Bracket, Lip, Debris, 70cm	1
22	07785	Nut, Hex, Std, M6 X 1.00, A2, Ss	4
23	1031132	Hose, Molded	1
24	1031037	Bracket, Mtg, Valve	1
25	09738	Screw, Hex, M5 X 0.8 X 12, Ss	2
26	09739	Nut, Hex, Lock, M5 X 0.80, NI, Ss	2
27	1214973	Valve, Water, Solenoid, 24vdc, Bm10/Bm10	1
28	54333	Clamp, Hose, Wormdrive, 0.31- 0.88d, .31w	3
29	222210	Pin, Clevis, 0.62d X 2.12l	2
30	02942	Pin, Cotter, Hair, 0.62d .120 Wir	2
31	09028	Screw, Hex, M10 X 1.5 X 25, Ss	2

Fig. 19 - Cylindrical Scrub Head Group, 800mm (32 in)

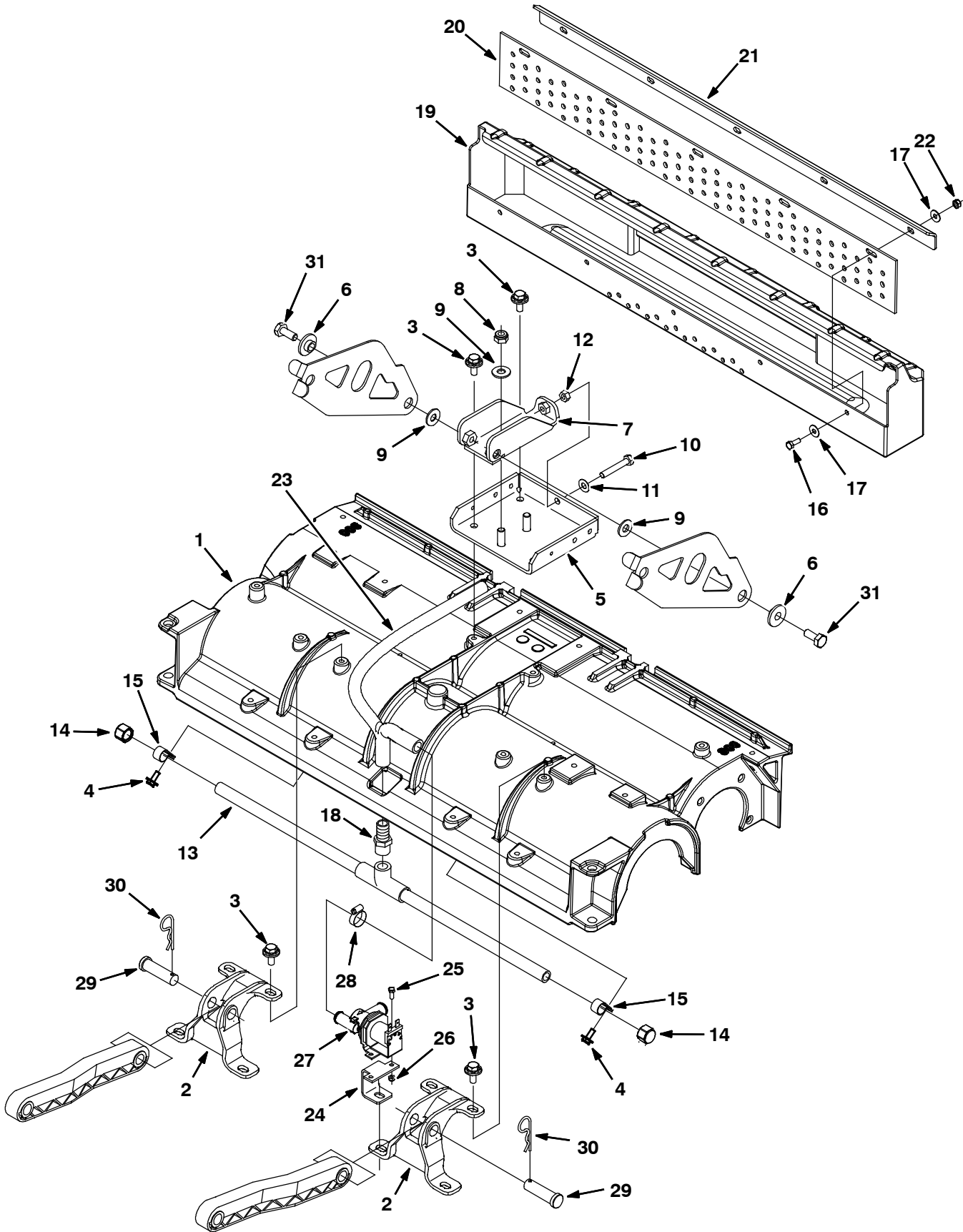


Fig. 19 - Cylindrical Scrub Head Group, 800mm (32 in)

Ref.	Part No.	Description	Qty.
1	1030273	80cm Scrubhead, Machining, T7/Cyl	1
2	1031416	Mount, Link, Mach	2
3	1020341	Screw, Hex, M8 X 1.25 X 20, Ss, Sems	12
4	1034731	Screw, Hex, M6 X 1.00 X 16, Sems, Ss	2
5	1029531	Channel, Lift	1
6	363087	Bushing, Flng, 0.44b 1.25d 0.25l	2
7	1029538	Bracket, Lift, Upper	1
8	08714	Nut, Hex, Lock, M10 X 1.5, NI, Ss	2
9	01686	Washer, Flat, 0.44b 1.00d .08, Ss	4
10	578717	Screw, Hex, M8 X 1.25 X 50, Ss, FI	1
11	140027	Washer, Flat, 0.35b 0.75d .04, Ss	1
12	07786	Nut, Hex, Std, M8 X 1.25, Ss	1
13	1031029	Tube Assy, Bar, Spray [80cm]	1
14	1025580	Fitting, Pipe, Cap, P06, Nyl	2
15	33584	Clamp, Cable, Stl, 0.63d X 0.50w, 1h	2
16	11329	Screw, Hex, M6 X 1.0 X 16, Ss, NI	5
17	01684	Washer, Flat, 0.25, Ss	10
18	41440	Fitting, Plstc, Str, Bm10/Pm08	1
19	9005806	Hopper, Debris, 80cm, Black, Afmkt	1
20	1025273	Skirt, Tray, Debris [80cm]	1
21	1025150	Lip, Tray, Debris, Scb Head, 80cm	1
22	07785	Nut, Hex, Std, M6 X 1.00, A2, Ss	5
23	1031132	Hose, Molded	1
24	1031037	Bracket, Mtg, Valve	1
25	09738	Screw, Hex, M5 X 0.8 X 12, Ss	2
26	09739	Nut, Hex, Lock, M5 X 0.80, NI, Ss	2
27	1214973	Valve, Water, Solenoid, 24vdc, Bm10/Bm10	1
28	54333	Clamp, Hose, Wormdrive, 0.31- 0.88d, .31w	3
29	222210	Pin, Clevis, 0.62d X 2.12l	2
30	02942	Pin, Cotter, Hair, 0.62d .120 Wir	2
31	09028	Screw, Hex, M10 X 1.5 X 25, Ss	2

Fig. 20 - Cylindrical Scrub Head Drive Group, Right Side

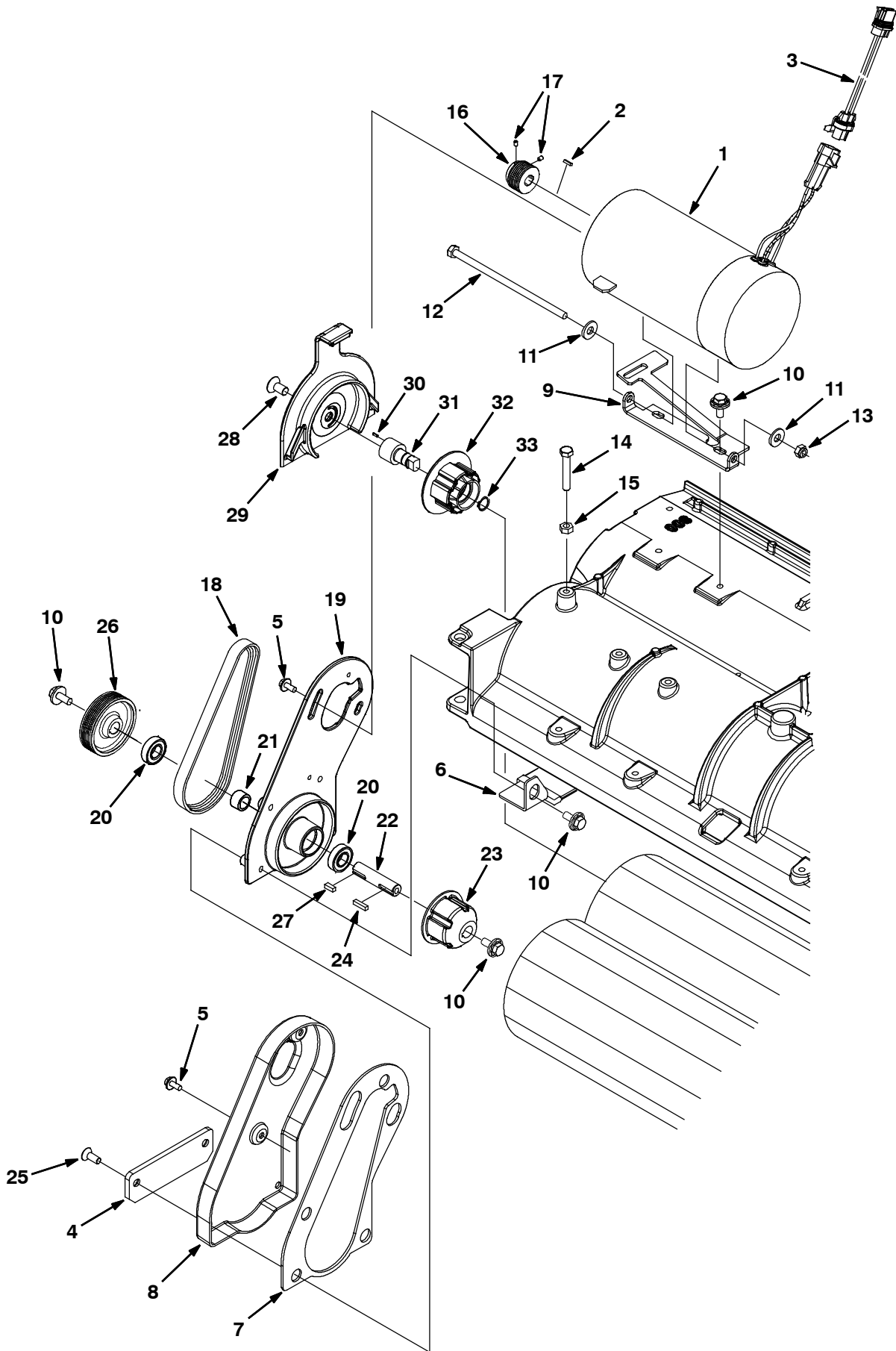


Fig. 20 - Cylindrical Scrub Head Drive Group, Right Side

	Ref.	Part No.	Description	Qty.
▽	1	1042228	Motor, Ele, 24vdc 1500rpm 0.75hp 23.0a	1
▲		1049739	Brush Kit, Carbon, Motor, Replmt [4pcs]	1
▲	2	00954	Key, Sq, 0.12 X 0.12, 1.00l	1
	3	1050099	Harness, Adapter, Motor [T7]	1
	4	1034845	Strip, Pye, Hi- dns, 0.25 01.75w 05.6l	1
	5	1034731	Screw, Hex, M6 X 1.00 X 16, Sems, Ss	4
	6	1029358	Deflector, Water, Cyl Head	2
	7	1022401	Gasket, Cover, Belt	1
	8	1022807	Cover, Belt	1
	9	1044386	Bracket, Mtg, Motor	1
	10	1020341	Screw, Hex, M8 X 1.25 X 20, Ss, Sems	8
	11	01685	Washer, Flat, 0.31, Ss	2
	12	1025026	Screw, Hex, M8 X 1.25 X 180, Ss	1
	13	08713	Nut, Hex, Lock, M8 X 1.25, NI, Ss	1
	14	578717	Screw, Hex, M8 X 1.25 X 50, Ss	1
	15	07786	Nut, Hex, Std, M8 X 1.25, Ss	1
	16	1033528	Sheave, 06grv, 1.33pd 0.50b, Alm [Pj]	1
	17	222818	Screw, Set, #08- 32 X 0.25, NI	2
	18	1035888	Belt, Drive, 6grv, 508 L X 14 W, [6pj]	1
	19	1021036	Bracket, Motor [Machined]	1
	20	41360	Bearing, Ball, 0.59b 1.26d 0.35w[2seal]	2
	21	1002077	Tube, 0.81d 0.59b 00.5l	1
	22	1021050	Shaft, Drive	1
	23	378805	Plug, Drive, Brush, Mach	1
	24	00911	Key, Sq, 0.19 X 0.19, 0.75l	1
	25	79246	Screw, Flt, M8 X 1.25 X 20, Ss 18- 8	2
	26	1035173	Sheave, 06grv, 2.96pd 0.59b, Alm [Pj]	1
	27	00961	Key, Sq, 0.19 X 0.19, 0.50l	1
▽		1057922	Door Assy, Cyl Head [7100]	1
▲	28	390996	Screw, Flt, M10 X 1.5 X 20, 10.9, NI	1
▲	29	1044145	Door, Brush	1
▲▽		222752	Plug Assy, Idler, Brush	1
▲▲	30	222184	Pin, Roll, .094 D X 0.25l, .094/.097	1
▲▲	31	222177	Shaft, Idler Plug	1
▲▲	32	1057629	Plug, Idler, Brush [Sgl Brg]	1
▲▲	33	01516	Ring, Retaining, Ext, 0.59d, Basic	1

Fig. 21 - Cylindrical Scrub Head Drive Group, Left Side

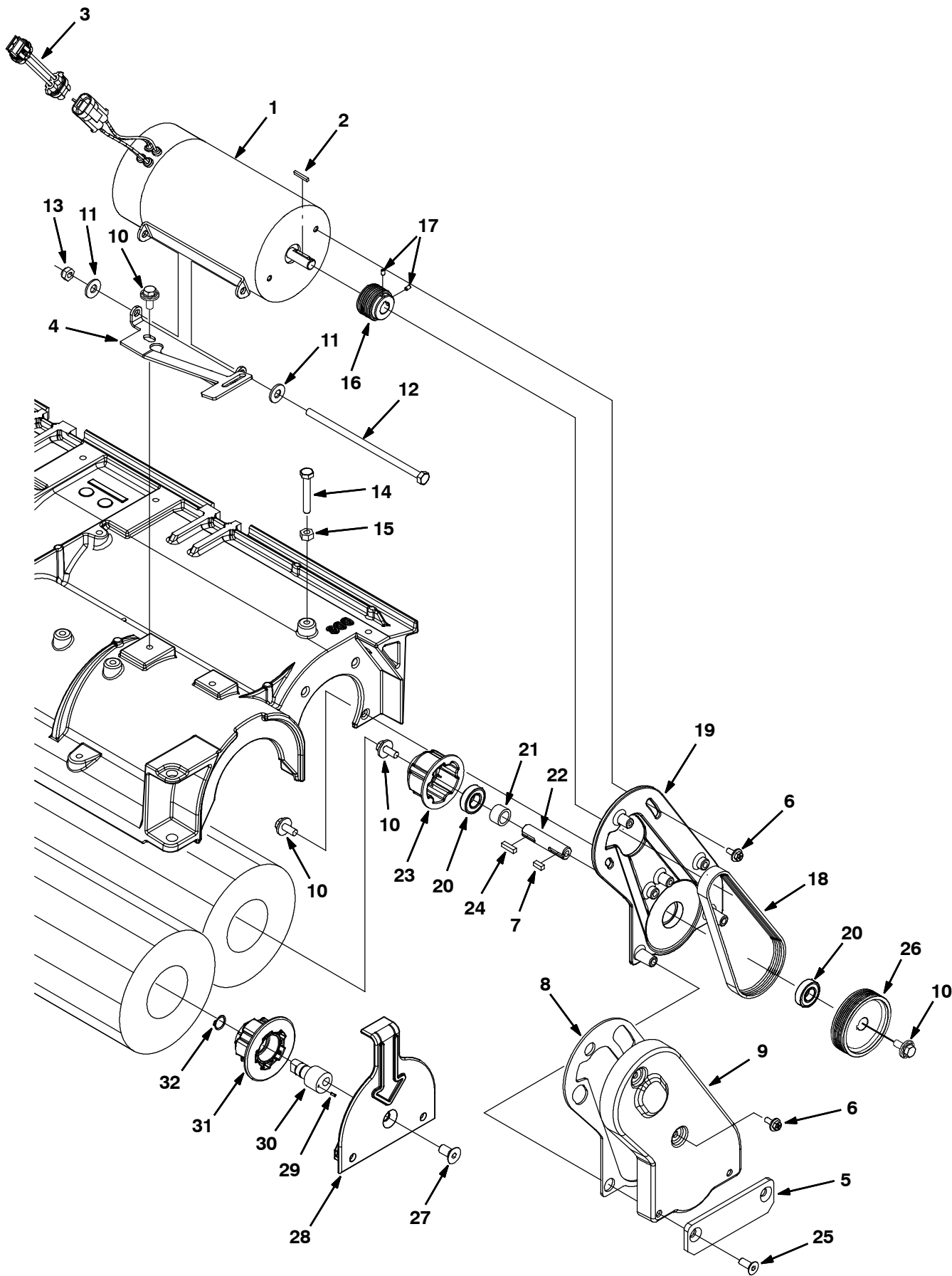


Fig. 21 - Cylindrical Scrub Head Drive Group, Left Side

	Ref.	Part No.	Description	Qty.
▽	1	1042228	Motor, Ele, 24vdc 1500rpm 0.75hp 23.0a	1
▲		1049739	Brush Kit, Carbon, Motor, Replmt [4pcs]	1
▲	2	00954	Key, Sq, 0.12 X 0.12, 1.00l	1
	3	1052892	Harness, Adapter, Motor [T7]	1
	4	1044386	Bracket, Mtg, Motor	1
	5	1034845	Strip, Pye, Hi- dns, 0.25 01.75w 05.6l	1
	6	1034731	Screw, Hex, M6 X 1.00 X 16, Sems, Ss	4
	7	00961	Key, Sq, 0.19 X 0.19, 0.50l	1
	8	1022401	Gasket, Cover, Belt	1
	9	1022807	Cover, Belt	1
	10	1020341	Screw, Hex, M8 X 1.25 X 20, Ss, Sems	8
	11	01685	Washer, Flat, 0.31, Ss	2
	12	1025026	Screw, Hex, M8 X 1.25 X 180, Ss	1
	13	08713	Nut, Hex, Lock, M8 X 1.25, NI, Ss	1
	14	578717	Screw, Hex, M8 X 1.25 X 50, Ss	1
	15	07786	Nut, Hex, Std, M8 X 1.25, Ss	1
	16	1033528	Sheave, 06grv, 1.33pd 0.50b, Alm [Pj]	1
	17	222818	Screw, Set, #08- 32 X 0.25, NI	2
	18	1035888	Belt, Drive, 6grv, 508 L X 14 W, [6pj]	1
	19	1021036	Bracket, Motor [Machined]	1
	20	41360	Bearing, Ball, 0.59b 1.26d 0.35w[2seal]	2
	21	1002077	Tube, 0.81d 0.59b 00.5l	1
	22	1021050	Shaft, Drive	1
	23	378805	Plug, Drive, Brush, Mach	1
	24	00911	Key, Sq, 0.19 X 0.19, 0.75l	1
	25	79246	Screw, Flt, M8 X 1.25 X 20, Ss 18- 8	2
	26	1035173	Sheave, 06grv, 2.96pd 0.59b, Alm [Pj]	1
▽		1057922	Door Assy, Cyl Head [7100]	1
	27	390996	Screw, Flt, M10 X 1.5 X 20, 10.9, NI	1
	28	1044145	Door, Brush	1
▲▽		222752	Plug Assy, Idler, Brush	1
	29	222184	Pin, Roll, .094 D X 0.25l, .094/.097	1
	30	222177	Shaft, Idler Plug	1
	31	1057629	Plug, Idler, Brush [Sgl Brg]	1
	32	01516	Ring, Retaining, Ext, 0.59d, Basic	1

Fig. 22 - Cylindrical Scrub Head Squeegee Group

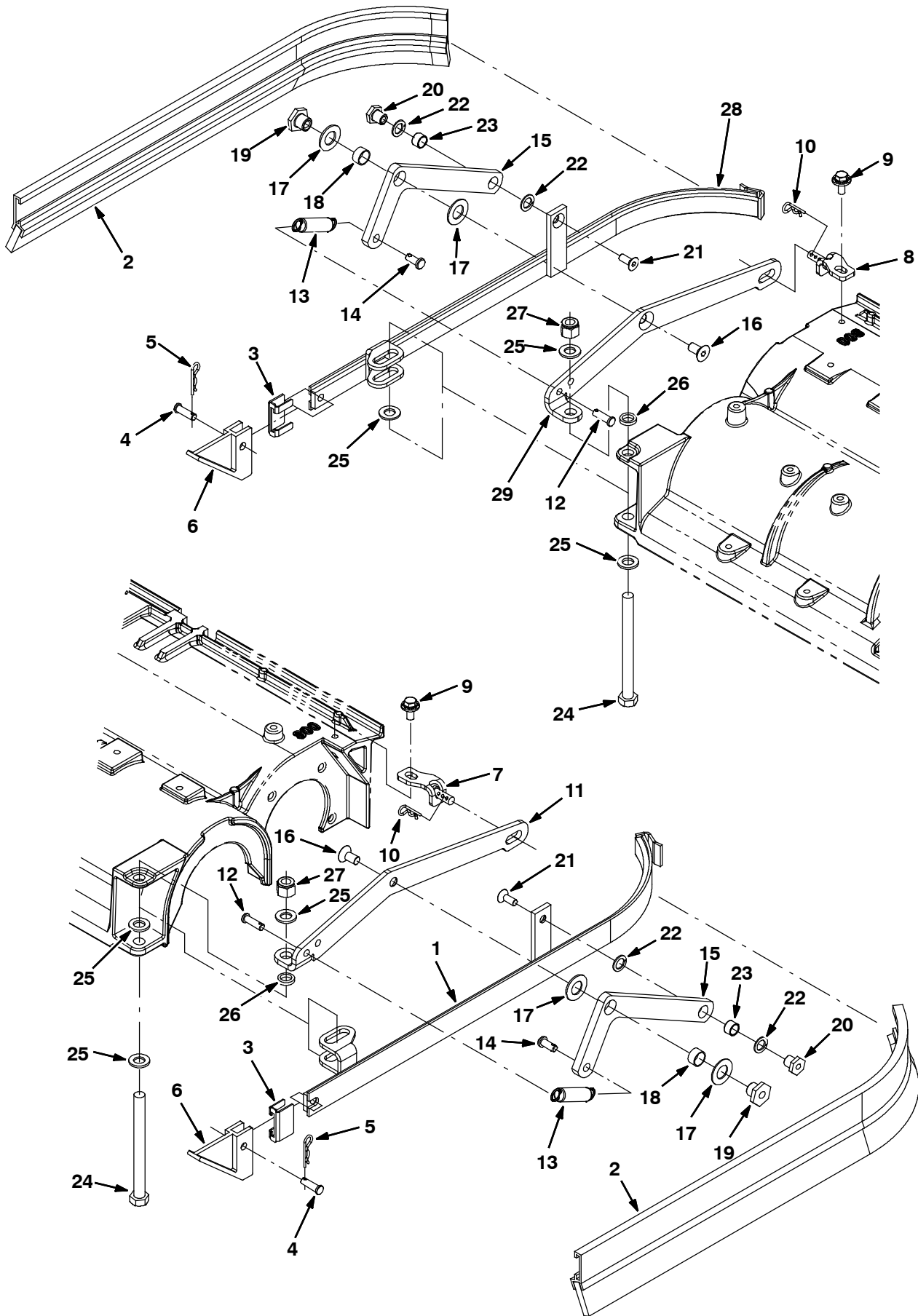


Fig. 22 - Cylindrical Scrub Head Squeegee Group

Ref.	Part No.	Description	Qty.
1	391328	Frame Wldt, Sqge, Side, Lh	1
2	391334	Squeegee Assy, Side [Linatex] (Standard)	2
2	1058728	Squeegee Assy, Cylrcl, Ure [T7/Ssr] (Optional)	2
2	1058715	Squeegee Assy, Cylrcl, Gum [T7/Ssr] (Optional)	2
3	86759	Retainer, Sqge	2
4	69582	Pin, Clevis, 0.31d X 1.00l	2
5	44906	Pin, Cotter, Hair, 0.69d .092 Wir	2
6	86865	Guide, Sqge, Side	2
7	1029380	Angle Wldt, Stop, Lh	1
8	1029368	Angle Wldt, Stop, Rh	1
9	1020341	Screw, Hex, M8 X 1.25 X 20, Ss, Sems	2
10	44906	Pin, Cotter, Hair, 0.69d .092 Wir	2
11	1030365	Arm, Mtg, Link, Lh Sqge, Cylrcl Head	1
12	69582	Pin, Clevis, 0.31d X 1.00l	2
13	15047	Spring, Extn, 0.62od X 0.08wir, 3.0l	2
14	39019	Pin, Clevis, 0.37d X 0.75l	2
15	25709	Bellcrank, Lift, Sqge	2
16	380587	Screw, Flt, M10 X 1.5 X 20, Ss, 18- 8	2
17	64425	Washer, Thrust, 0.61b 1.25d .06, Fgl	4
18	71607	Bushing, Sleeve, 0.63b 0.72d 0.38l	2
19	391345	Nut, T, M10 X 1.50 X 0.62od X 0.5l	2
20	391346	Nut, T, M8 X 1.25 X 0.50od X 0.5l	2
21	79246	Screw, Flt, M8 X 1.25 X 20, Ss 18- 8	2
22	86860	Bearing, Thrust, 0.50b 0.87d 0.06w	4
23	64173	Bushing, Sleeve, 0.50b 0.59d 0.38l, Stl	2
24	45280	Screw, Hex, .50- 13 X 5.50, G5	2
25	33925	Washer, Flat, M12, Ss	6
26	1031077	Bushing, Sleeve, 0.51b 0.75d 0.16l	2
27	02931	Nut, Hex, Lock, .50- 13, NI, Ss	2
28	391327	Frame Wldt, Sqge, Side, Rh	1
29	1030026	Arm, Mtg, Link, Rh Sqge, Cylrcl Head	1

Fig. 23 - Recovery Tank Group

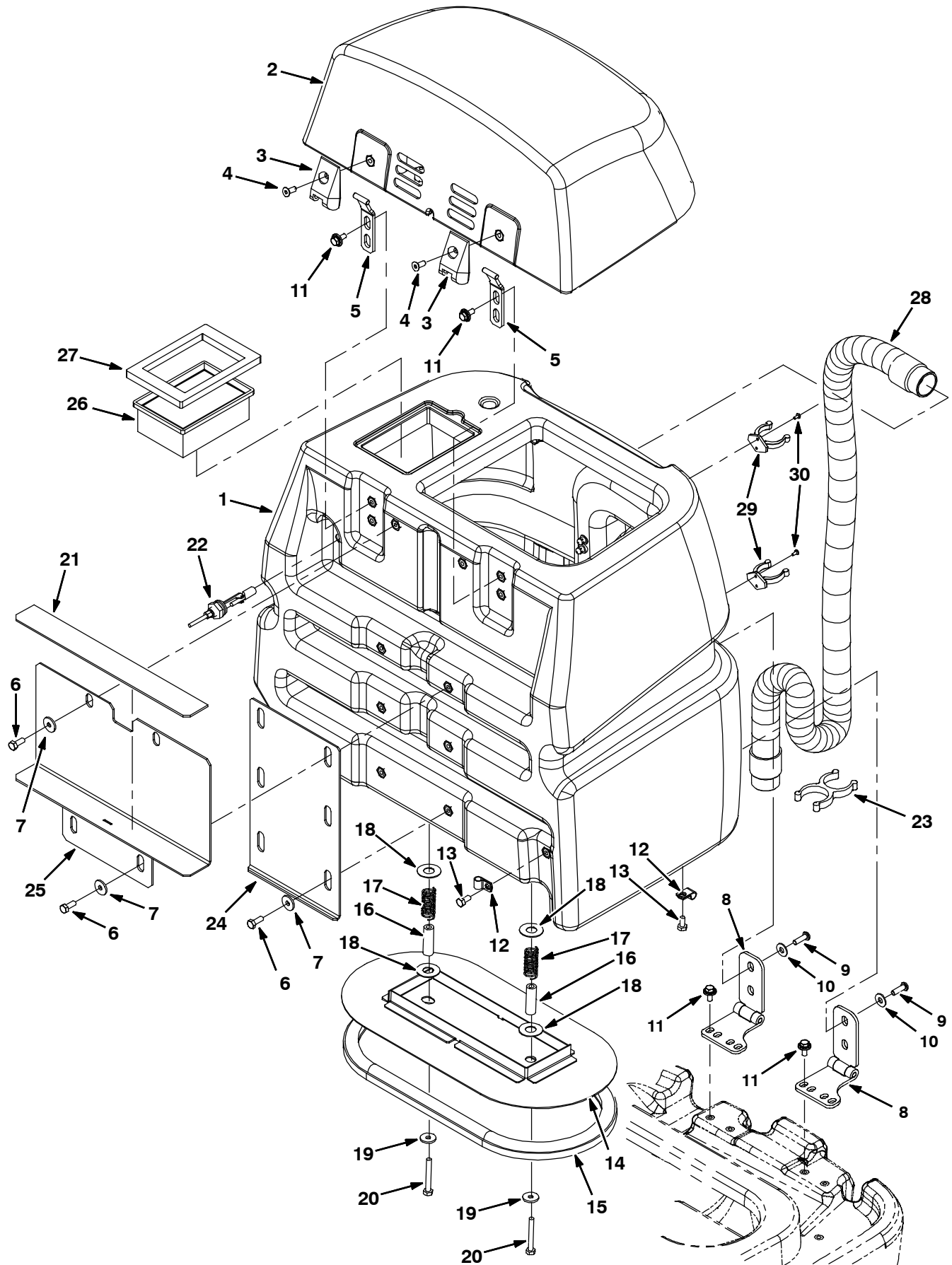


Fig. 23 - Recovery Tank Group

Ref.	Part No.	Description	Qty.
1	1018032	Tank, Recvy, W/Label [T7] (Teal)	1
1	1018034	Tank, Recvy. W/Label [T7 FaST] (Teal)	1
1	9006186	Tank, Recvy, Afmkt, Teal[T7 Ec- H2o]	1
2	1033973	Cover, Tank, Recvy, Afmkt, Hg [T7]	1
3	222529	Hinge, Leaf	2
4	222463	Screw, Flt, M8 X 1.25 X 20, Blk	2
5	1012055	Hinge Wldt, Cover	2
6	09740	Screw, Hex, M8 X 1.25 X 20, Ss	8
7	1017218	Washer, Flat, 0.321b 1.00d .12, Ss	8
8	1018304	Hinge, 10mm Pin, Crs, Blk [T7]	2
9	393135	Screw, Btn, M8 X 1.25 X 20, Blk	4
10	1016435	Washer, Flat, 0.52b 0.75d .06, Stl, Blk	4
11	1020341	Screw, Hex, M8 X 1.25 X 20, Ss, Sems	8
12	82829	Clamp, Cable, Stl, 0.63d X 0.75w, 1hole	2
13	15675	Screw, Hex, M8 X 1.25 X 16, Ss	2
14	1016855	Plate Wldt, Seal, Tank	1
15	1020301	Seal, Afmkt, Bulb, Clsd Cell, Adh, 8ft	1
16	1016871	Spacer, Seal, Tank	2
17	397255	Spring, Cmpr, 0.85od .08wir 2.0l	2
18	605385	Washer, Flat, 0.69b 1.50d .05, Ss	4
19	1017218	Washer, Flat, 0.321b 1.00d .12, Ss	2
20	77270	Screw, Hex, M8 X 1.25 X 60, Ss	2
21	1017705	Pad, Rbr	1
22	385685	Sensor, Level, Liquid, 14vdc 01a .62- 11	1
23	1014079	Clip, Grip, Hose, 1.50id, Dbl, Blk Pyp	1
24	1017670	Angle, Sppt, Tank	1
25	1017607	Bracket Wldt, Tank, Sppt	1
26	1037821	Filter, Panl, Dust, 2.3 X 4.5 X 6.4	1
27	1016392	Gasket, Fltr, Tank	1
28	1014026	Hose, Vacuum, 1.50id X 057.1l, 2cuff,Blk	1
29	1001992	Clip, Hose, Gripper, 1.75id, Blk Ny	2
30	607006	Screw, Trs, M4 X 0.70 X 12, Phl, PI	4

Fig. 24 - Vacuum Fan Group

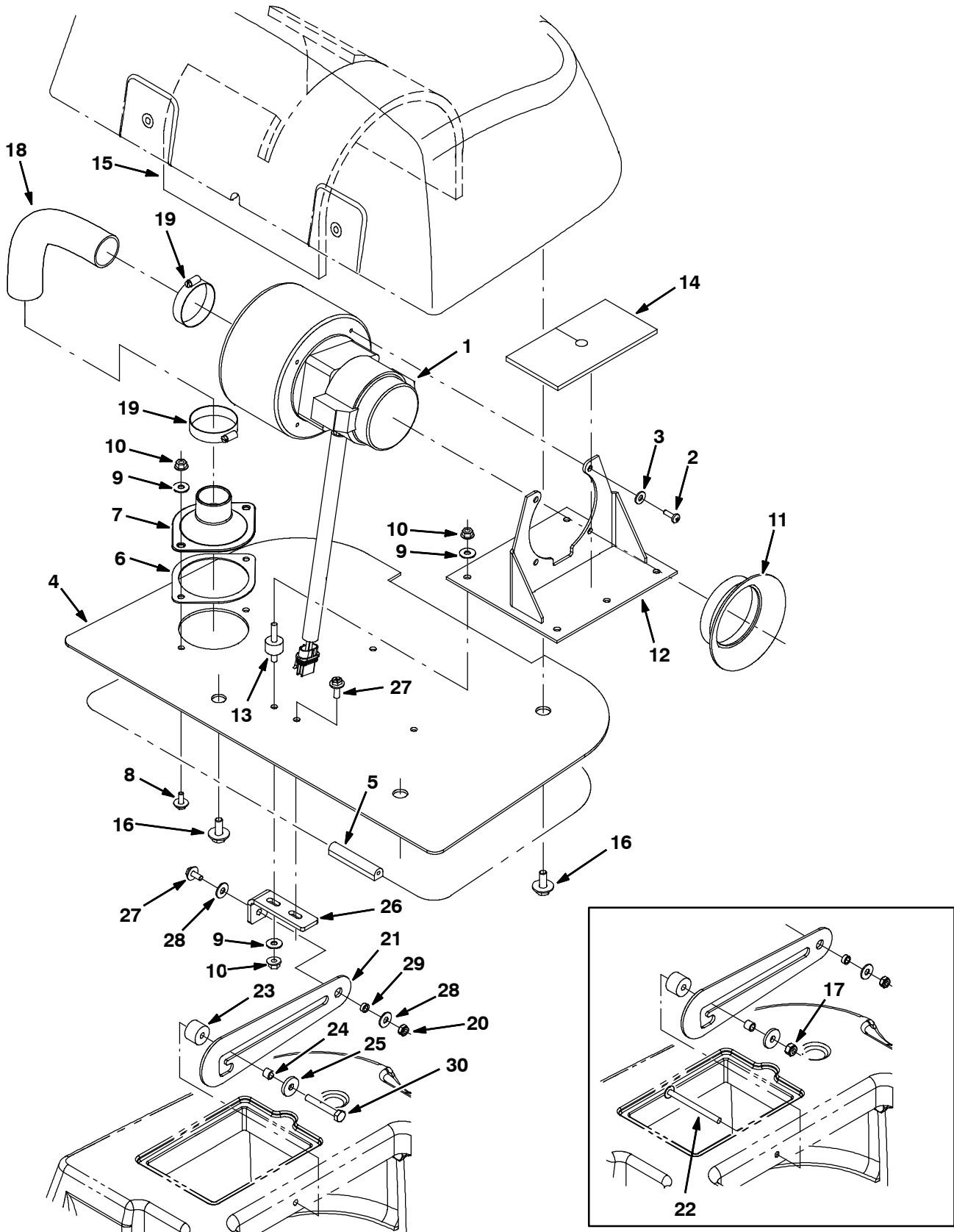


Fig. 24 - Vacuum Fan Group

Ref.	Part No.	Description	Qty.	
1	1039763	Fan, Vacuum, 5.7d, 024vdc, 3 Stage [Bpp] (See Breakdown)	1	
1	1021064	Fan, Vacuum, 5.7d, 024vdc, 3 Stage [Bpp] (Australia) (See Breakdown)	1	
2	1015506	Screw, Pan, M5 X 16, F/ Plstc	4	
3	19066	Washer, Flat, #10	4	
4	1011127	Plate, Mtg, Fan	1	
5	1013611	Seal, Cover, Recvy	1	
6	1014858	Gasket, Adapter	1	
7	1014711	Adaptor, Hose	1	
8	1034731	Screw, Hex, M6 X 1.00 X 16, Ss, Sems	2	
9	01684	Washer, Flat, 0.25 Ss	9	
10	07790	Nut, Hex, Flng, M6 X 1.00	9	
11	1011140	Seal, Fan	1	
12	1011103	Bracket Wldt, Mtg, Fan	1	
13	1011093	Isolator, Vib, .75d, M6 Stud Both Ends	3	
▽	9003365	Insulation Kit, Acstc, Vacfan	1	
▲	14	1028514	Insulation, Acstc, Vacfan	1
▲	15	1028515	Insulation, Acstc, Hsng, Vacfan	1
16	1020341	Screw, Hex, M8 X 1.25 X 20, Ss, Sems	4	
17	41169	① Nut, Hex, Lock, .25- 20, NI, Ss	1	
18	1011159	Hose, Vacuum, 1.5d X 8.3l, Clr, Blk Wire	1	
19	79381	Clamp, Hose, Wormdrive, 1.25- 2.00d, .50w	2	
20	08712	Nut, Hex, Lock, M6 X 1.00, Ss, NI	1	
21	1026270	Bracket, Arm, Prop	1	
22	1026986	① Screw, Trs, .25- 20 X 3.00, Phl, Ss	1	
23	578579	Spacer, 0.25b 0.88d 0.50l	1	
24	140154	Sleeve, P/M, 0.25b 0.38d 0.3l, PI	1	
25	140053	Washer, Flat, 0.28b 0.88d .12, Ss	1	
26	1026322	Bracket, Mtg, Stop	1	
27	1034731	Screw, Hex, M6 X 1.00 X 16, Ss, Sems	2	
28	01684	Washer, Flat, 0.25, Ss	2	
29	80491	Sleeve, P/M, 0.25b 0.38d 0.2l [430ss]	1	
30	06946	② Screw, Hex, M6 X 1.00 X 35, 8.8	1	

① Serial number (30000000- 30045851)

② Serial number (30045852-)

Fig. 25 - Solution Tank Group, Disk Scrub Head

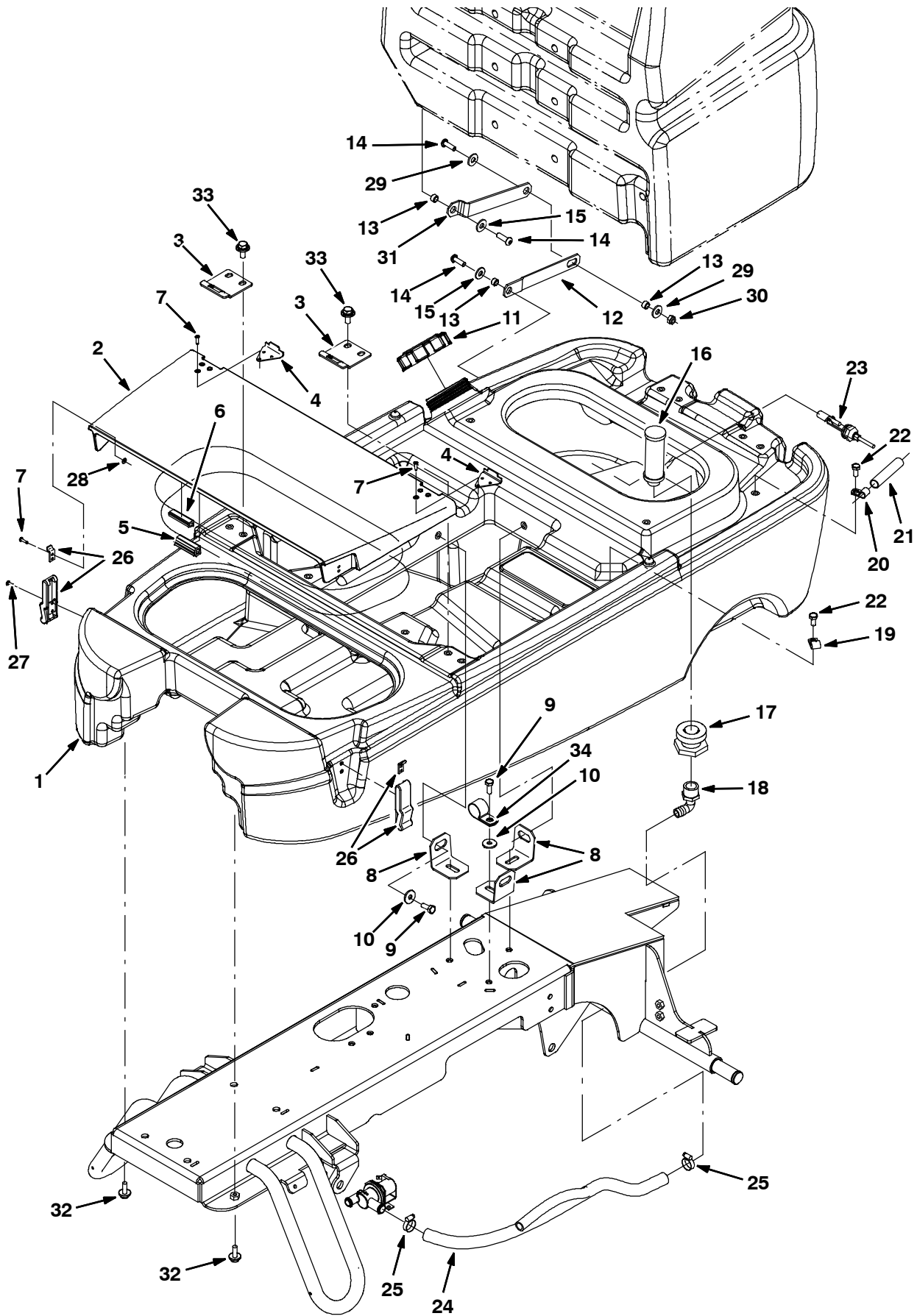


Fig. 25 - Solution Tank Group, Disk Scrub Head

Ref.	Part No.	Description	Qty.
1	1015405	Tank, Soltn, W/ Label [T7]	1
1	1036374	Tank, Soltn, Disk, Hg, Afmkt, Tj (Japan)	1
2	1012505	Cover, Tank, Soltn [T7]	1
3	1020317	Catch, Cover [T7]	2
4	1020292	Plate, Cover, Tab [T7]	2
5	1020727	Seal, Afmkt, Bulb, Clsd Cell, Adh, 8ft	1
6	1020719	Seal, Afmkt, Bulb, Clsd Cell, Adh, 8ft	1
7	1021677	Rivet, Blind, .156DX0.55X.38D, Ss	10
8	1014072	Bracket, Mtg, Tank	3
9	09740	Screw, Hex, M8 X 1.25 X 20, Ss	6
10	1017218	Washer, Flat, 0.321b 1.00d .12, Ss	6
11	1011885	Cap, Tank	1
12	1011852	Arm, Tank, Retaining	1
13	222516	Sleeve, P/M, 0.496d 0.318b 0.31l 430ss	3
14	223470	Screw, Btn, M8 X 1.25 X 25, Ss	3
15	1016435	Washer, Flat, 0.52b 0.75d .06, Stl, Blk	2
16	398770	Strainer, Soltn, 80mesh Cyl 1.3d 3.5l	1
17	377349	Fitting, Plstc, Pf12/Pf12, Bh	1
18	73468	Fitting, Plstc, E90, Bm10/Pm12	1
19	82829	Clamp, Cable, Stl, 0.63d X 0.75w, 1hole	2
20	67767	Clamp, Cable, Stl, 0.69d X 0.62w, 1h	1
21	1019879	Conduit, Nylon, .50d 3.0l	1
22	15675	Screw, Hex, M8 X 1.25 X 16, Ss	2
23	385685	Sensor, Level, Liquid, 14vdc 01a .62- 11	1
24	1014825	Hose, Mold	1
25	54333	Clamp, Hose, Wormdrive, 0.31- 0.88d, .31w	2
26	49800	Latch, Draw, Soft, Rbr W/ Keeper	2
27	607006	Screw, Trs, M4 X 0.70 X 12, Phl, PI	4
28	1035394	Washer, Flat, 0.17b 0.38d .04, Ss	4
29	01685	Washer, Flat, 0.31 Ss	2
30	08713	Nut, Hex, Lock, M8 X 1.25, NI, Ss	1
31	1011853	Arm, Tank, Retaining	1
32	1072628	Screw, Hex, M8 X 1.25 X 25, Ss, Sems	2
33	1020341	Screw, Hex, M8 X 1.25 X 20, Ss, Sems	4
34	69234	Clamp, Cable, Stl, 1.00d X 0.75w, 1hole	1

Fig. 26 - Solution Tank Group, Cylindrical Scrub Head

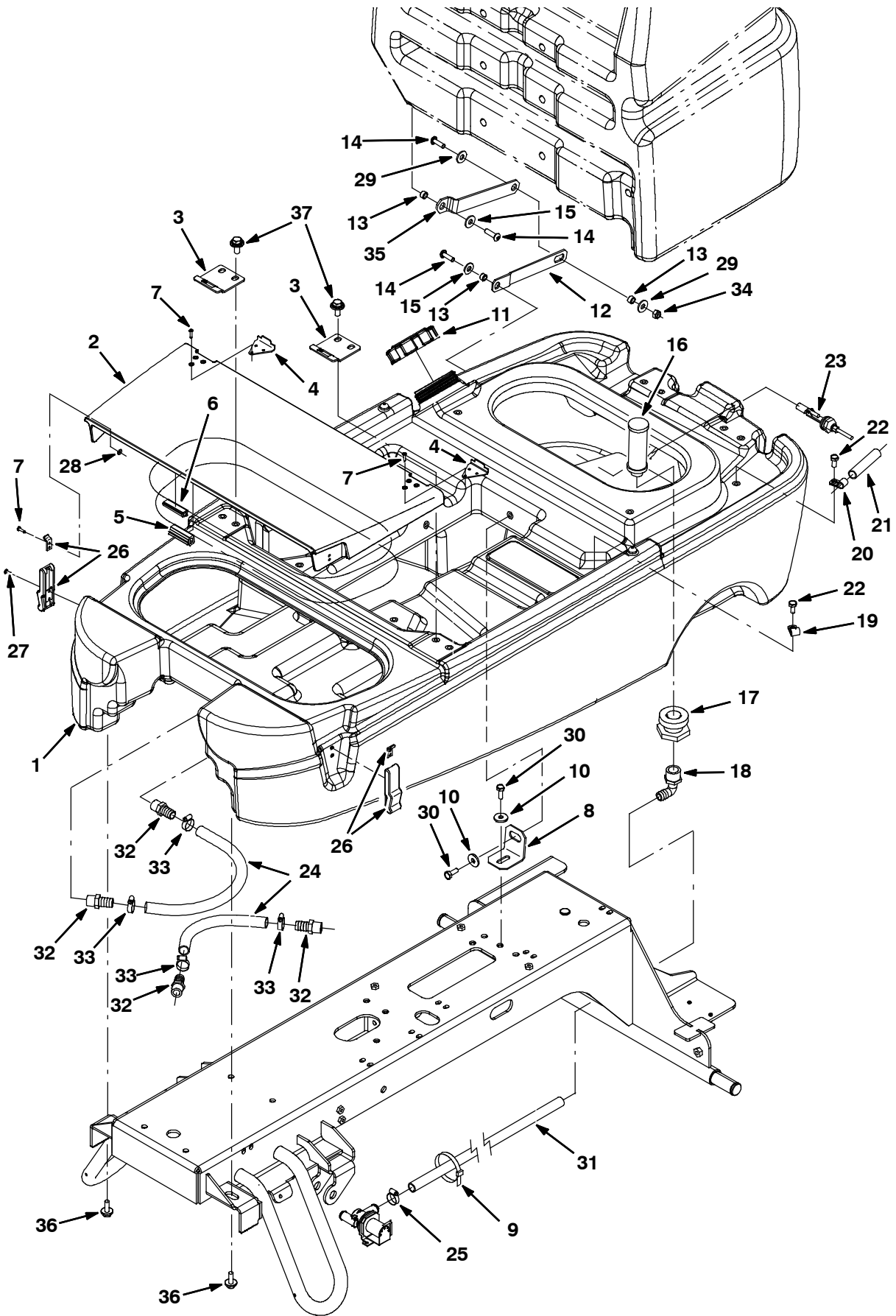


Fig. 26 - Solution Tank Group, Cylindrical Scrub Head

Ref.	Part No.	Description	Qty.
1	1034271	Tank, Soltn, W/ Label [T7]	1
1	1036378	Tank, Soltn, Cylrcl, Hg, Afmkt, Tj (Japan)	1
2	1012505	Cover, Tank, Soltn [T7]	1
3	1020317	Catch, Cover [T7]	2
4	1020292	Plate, Cover, Tab [T7]	2
5	1020727	Seal, Afmkt, Bulb, Clsd Cell, Adh, 8ft	1
6	1020719	Seal, Afmkt, Bulb, Clsd Cell, Adh, 8ft	1
7	1021677	Rivet, Blind, .156DX0.55X.38D, Ss	10
8	1014072	Bracket, Mtg, Tank	1
9	130773	Tie, Cable, Nyl, 11.0L, .14W, 3.0 Max. D	1
10	1017218	Washer, Flat, 0.321b 1.00d .12, Ss	2
11	1011885	Cap, Tank	1
12	1011852	Arm, Tank, Retaining	1
13	222516	Sleeve, P/M, 0.496d 0.318b 0.31l 430ss	3
14	223470	Screw, Btn, M8 X 1.25 X 25, Ss	3
15	1016435	Washer, Flat, 0.52b 0.75d .06, Stl, Blk	2
16	398770	Strainer, Soltn, 80mesh Cyl 1.3d 3.5l	1
17	377349	Fitting, Plstc, Pf12/Pf12, Bh	1
18	73468	Fitting, Plstc, E90, Bm10/Pm12	1
19	82829	Clamp, Cable, Stl, 0.63d X 0.75w, 1hole	2
20	67767	Clamp, Cable, Stl, 0.69d X 0.62w, 1h	1
21	1019879	Conduit, Nylon, .50d 3.0l	1
22	15675	Screw, Hex, M8 X 1.25 X 16, Ss	2
23	385685	Sensor, Level, Liquid, 14vdc 01a .62- 11	1
24	1035355	Hose, Afmkt, Pvc, Clr, 0.62ld, 02Ft	2
25	63810	Clamp, Hose, Wormdrive, 0.56- 1.06d, .56w	1
26	49800	Latch, Draw, Soft, Rbr W/ Keeper	2
27	607006	Screw, Trs, M4 X 0.70 X 12, Phl, Pl	4
28	1035394	Washer, Flat, 0.17b 0.38d .04, Ss	4
29	01685	Washer, Flat, 0.31 Ss	2
30	09740	Screw, Hex, M8 X 1.25 X 20, Ss	2
31	1015026	Hose, Afmkt, Pvc, Brd, 0.62id, 03ft, Clr	1
32	41440	Fitting, Plstc, Str, Bm10/Pm08	4
33	54333	Clamp, Hose, Wormdrive, 0.31- 0.88D, .31W	4
34	08713	Nut, Hex, Lock, M8 X 1.25, NI, Ss	1
35	1011853	Arm, Tank, Retaining	1
36	1072628	Screw, Hex, M8 X 1.25 X 25, Ss, Sems	2
37	1020341	Screw, Hex, M8 X 1.25 X 20, Ss, Sems	4

Fig. 27 - Tanks Drain Group

	Ref.	Part No.	Description	Qty.
▽	1	1014274	Hose Assy, Drain, 27.8l (Recovery Tank)	1
▲▽	2	1008639	Cap, Drain Assembly	1
▲▲	3	1008637	O Ring, 1.48" Id, 1.76" Od	1
	4	14432	Clamp, Hose, Wormdrive, 1.81- 2.75d, .56w	1
▽	5	1014268	Hose Assy, Drain, 27.0l (Solution Tank)	1
▲▽	6	1008639	Cap, Drain Assembly	5
▲▲	7	1008637	O Ring, 1.48" Id, 1.76" Od	1
	8	79381	Clamp, Hose, Wormdrive, 1.25- 2.00d, .50w	1
	9	222793	Clip, Hanger, Hose, .38d Hole, Ss	2
	10	09740	Screw, Hex, M8 X 1.25 X 20, Ss	2

Fig. 28 - Battery Group, 235Ah

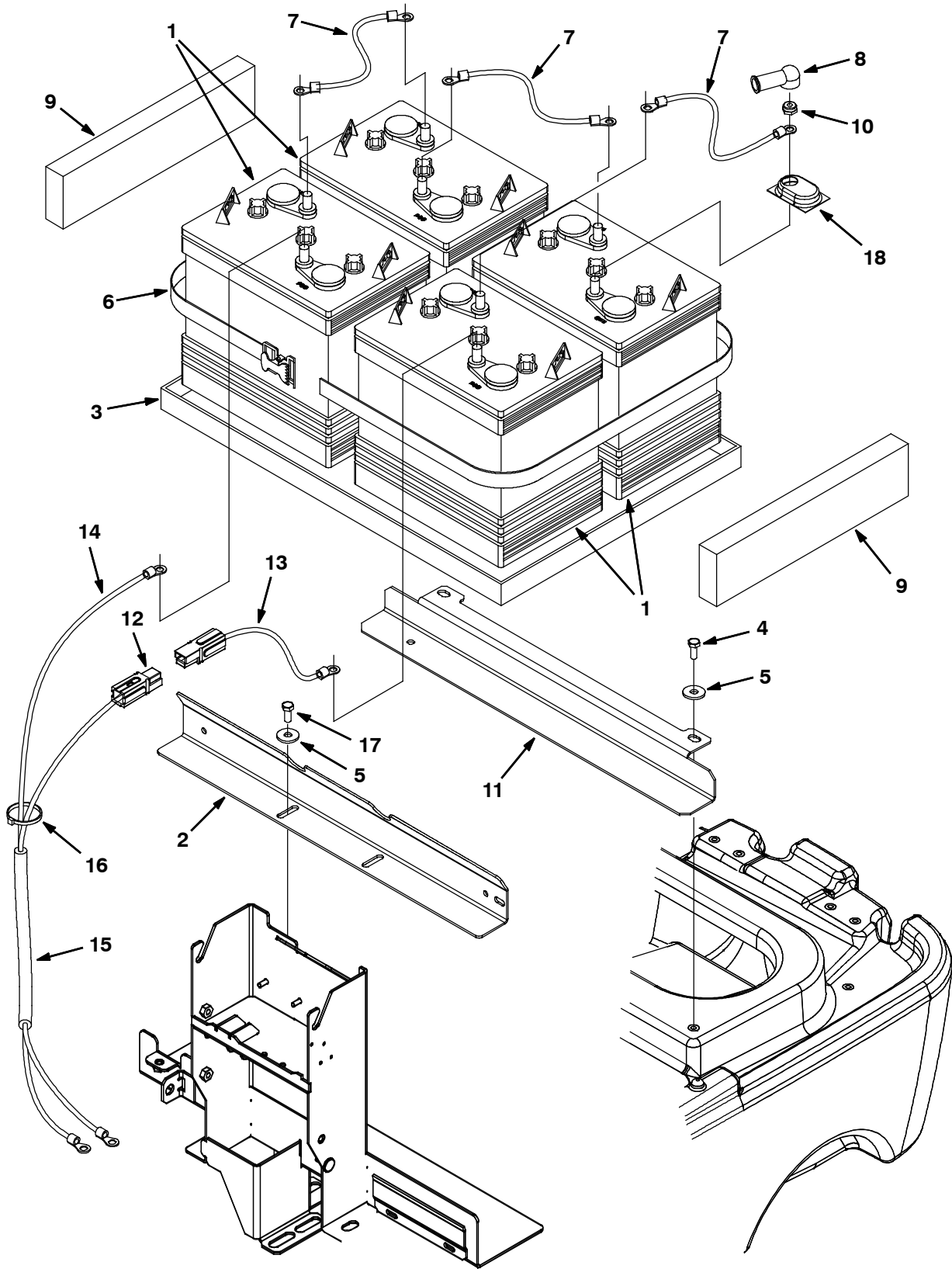


Fig. 28 - Battery Group, 235Ah

Ref.	Part No.	Description	Qty.	
1	222280	Battery, 06vdc, 235ah, Wet	4	
2	1042532	Bracket, Battery [T7, 220ah Agm]	1	
3	1025155	Tray, Battery, 605x370x25	1	
4	09740	Screw, Hex, M8 X 1.25 X 20, Ss	2	
5	1017218	Washer, Flat, 0.321b 1.00d .12, Ss	4	
6	222682	Strap	1	
7	223356	Wire, 04ga 12.0l Blk .34ring /.34ring	3	
8	611221	Boot, Terminal, Battery, 25.4Mm, Blk	8	
9	630375	Spacer, Battery, Foam, 1.25 X 3.3 X 13.7	2	
10	87435	Nut, Hex, Flexlock, .31- 18	8	
11	1010771	Angle, Sppt, Battery	1	
12	397907	Wire Assy, Cable, 4ga, Red	1	
▽	13	397908	Wire Assy, Cable, 4ga, Red	1
▲	1020446	Connector, Anderson, 1321 Series	1	
▲	1020447	Terminal, Contact, Anderson, 1319g4, 4ga	1	
14	223364	Wire, 04ga 16.0l Blk .34ring /.34ring	1	
15	1020105	Sleeve, Afmkt, Nyl, #13, 1ft	1	
16	49263	Tie, Cable, Nyl, 11.4l .19w 3.0 Max D	3	
17	15675	Screw, Hex, M8 X 1.25 X 16, Ss	2	
18	1041030	Cap, Battery	8	

Fig. 29 - Rear Squeegee Lift Group, Disk Scrub Head

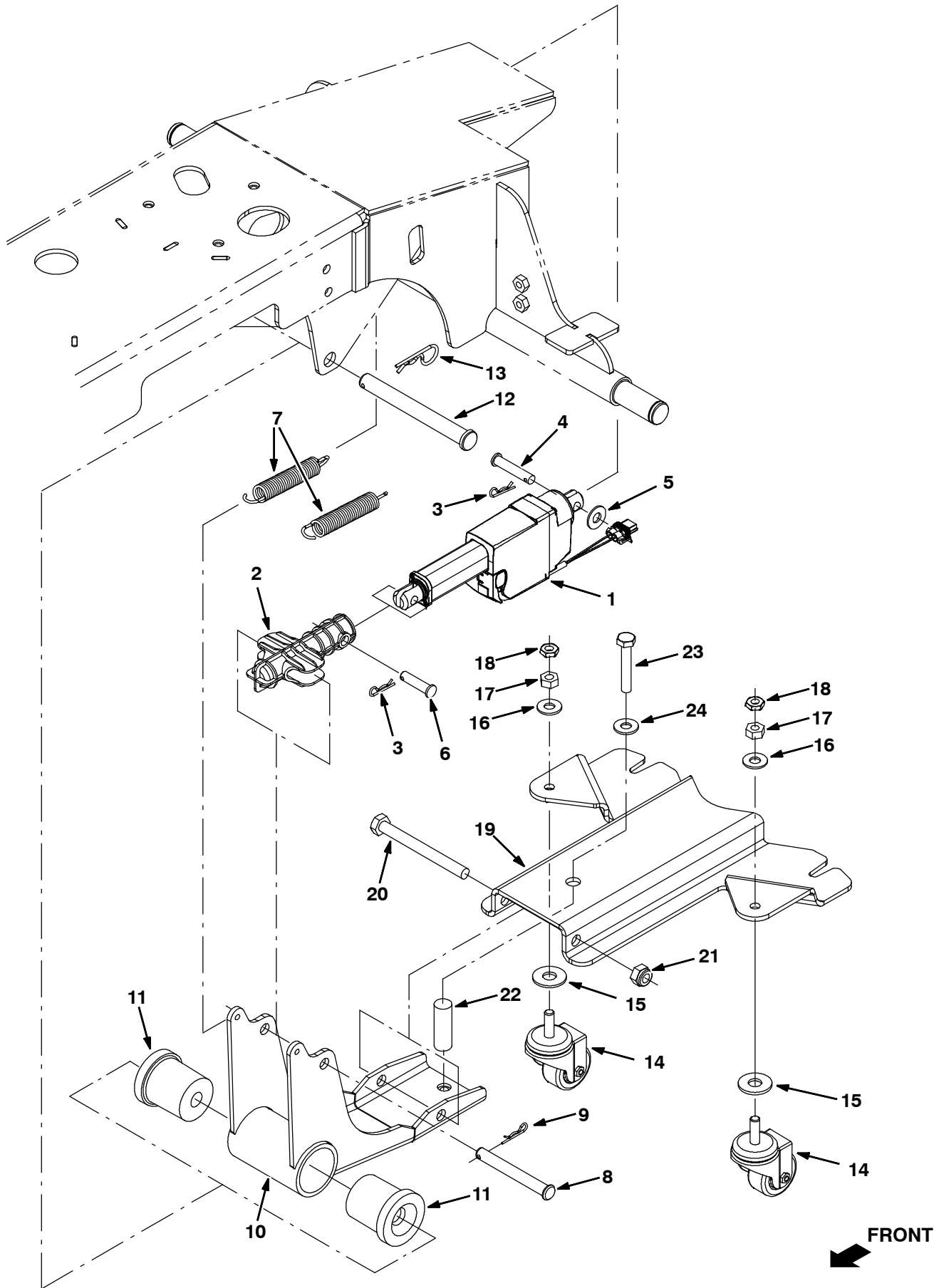


Fig. 29 - Rear Squeegee Lift Group, Disk Scrub Head

	Ref.	Part No.	Description	Qty.
▽	1	9010845	Actuator Kit, Replmt [T7/Ssr]	1
▲	2	1031028	Housing, Sqge, Spring, Actuator	1
	3	86866	Pin, Hair Cotter, 0.38 D .072 Wir	2
	4	94877	Pin, Clevis, 10d X 50l	1
	5	01686	Washer, Flat, 0.44b 1.00 .08, Ss	1
	6	1009356	Pin, Clevis , 10mm X 40l	1
	7	1016639	Spring, Extn, 0.75od X 0.11wir, 4.5l	2
	8	96184	Pin, Clevis, 12d X 100l, Pl	1
	9	86866	Pin, Cotter, Hair, 0.38d .072 Wir	1
	10	1031379	Arm Wldt, Sqge, Rear	1
	11	1013515	Bushing, Flex, Ure	2
	12	1010401	Pin, Clevis, 16d X 150l	1
	13	02942	Pin, Hair Cotter, 0.62 D .120 Wir	1
	14	1073476	Caster, Swivel, 50mmd, M10 X 30, Clr Pl	2
	15	41619	Washer, Flat, 0.56b 1.38d .11, Ss	2
	16	01686	Washer, Flat, 0.44b 1.00 .08, Ss	2
	17	07787	Nut, Hex, Std, M10 X 1.5, Ss	2
	18	32716	Nut, Hex, Jam, M10 X 1.5, Ss	2
	19	1018725	Channel, Arm, Lower Sqge	1
	20	12138	Screw, Hex, M12 X 1.75 X 120, 8.8	1
	21	09741	Nut, Hex, Lock, M12 X 1.75, NI, Ss	1
	22	1020182	Spring, Cmpr, 20mm D X 44mm L	1
	23	04417	Screw, Hex, M10 X 1.5 X 60, Ss	1
	24	01686	Washer, Flat, 0.44b 1.00 .08, Ss	1

Fig. 30 - Rear Squeegee Lift Group, Cylindrical Scrub Head

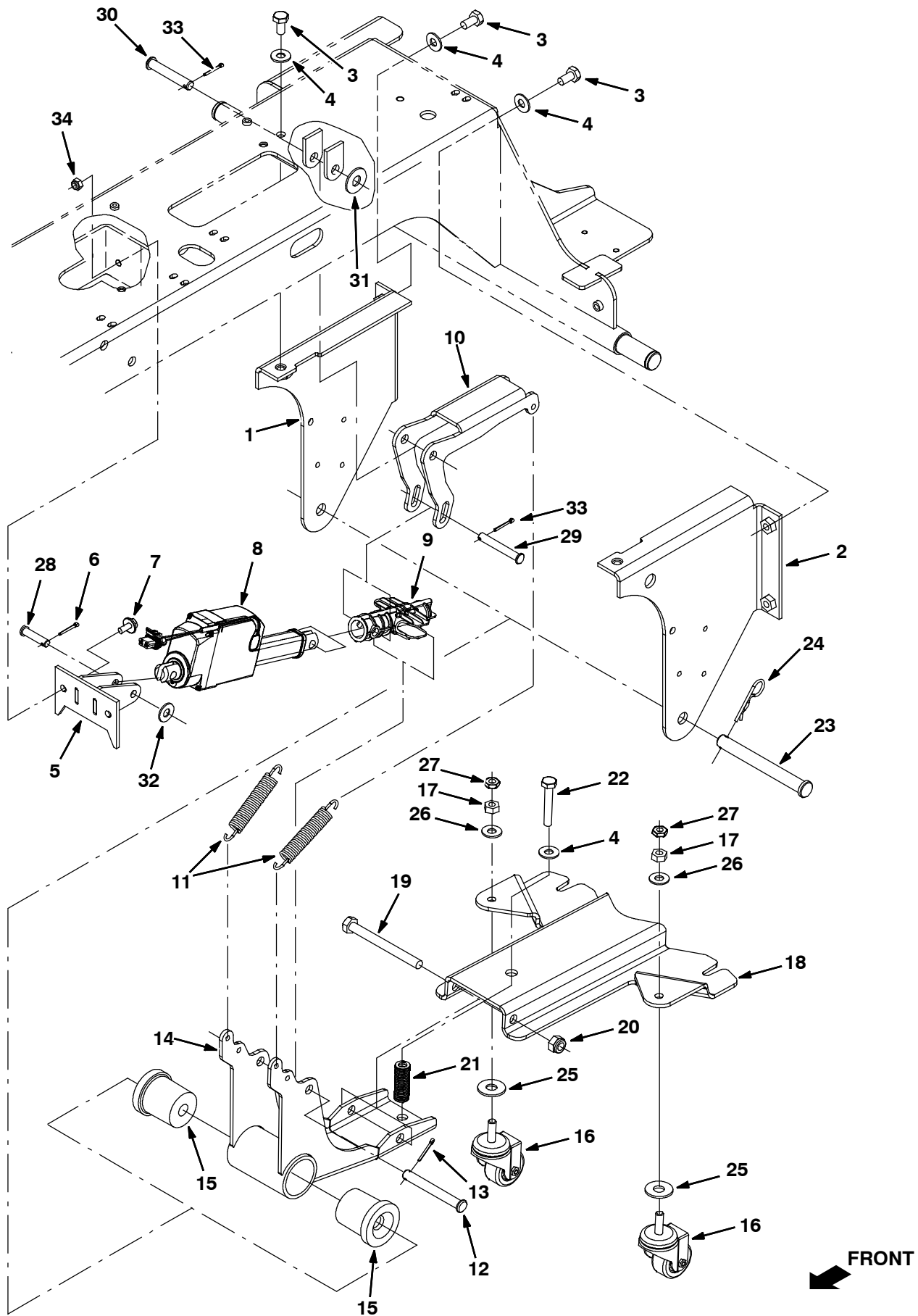


Fig. 30 - Rear Squeegee Lift Group, Cylindrical Scrub Head

Ref.	Part No.	Description	Qty.	
1	1028997	Support, Frame, Sqge	1	
2	1028998	Support, Frame, Sqge	1	
3	09291	Screw, Hex, M10 X 1.5 X 20, Ss	6	
4	01686	Washer, Flat, 0.44b 1.00d .08, Ss	7	
5	1029072	Bracket Wldt, Actuator	1	
6	86866	Pin, Cotter, Hair, 0.38d .072 Wir	1	
7	1020341	Screw, Hex, M8 X 1.25 X 20, Ss, Sems	2	
▽	8	9010845	Actuator Kit, Replmt [T7/Ssr]	1
▲	9	1031028	Housing, Sqge, Spring, Actuator	1
10	1032539	Arm, Spring, Mtg	1	
11	1016639	Spring, Extn, 0.75od 0.11wir 04.5l	2	
12	1018483	Pin, Clevis, 12mmd X 100mml	1	
13	08182	Pin, Cotter, .125 X 1.00	1	
14	1032452	Arm Wldt, Sqge, Rear, Cylrcl	1	
15	1013515	Bushing, Flex, Ure	2	
16	1073476	Caster, Swivel, 50mmd, M10 X 30, Clr PI	2	
17	07787	Nut, Hex, Std, M10 X 1.50, Ss	2	
18	1018725	Channel, Arm, Lower Sqge	1	
19	12138	Screw, Hex, M12 X 1.75 X 120, 8.8	1	
20	09741	Nut, Hex, Lock, M12 X 1.75, NI, Ss	1	
21	1020182	Spring, Cmpr, 0.70od, 01.7l	1	
22	04417	Screw, Hex, M10 X 1.5 X 60, Ss	1	
23	1010401	Pin, Clevis, 16mmd X 150mml	1	
24	02942	Pin, Cotter, Hair, 0.62d .120 Wir	1	
25	41619	Washer, Flat, 0.56b 1.38d .11, Ss	2	
26	01686	Washer, Flat, 0.44b 1.00d .08, Ss	2	
27	32716	Nut, Hex, Jam, M10 X 1.5, Ss	2	
28	94877	Pin, Clevis, 10mmd X 050mml	1	
29	1032733	Pin, Clevis, 10mmd X 070mml, PI	1	
30	1032732	Pin, Clevis, 12mmd X 070mml, PI	1	
31	41619	Washer, Flat, 0.56b 1.38d .11, Ss	1	
32	01686	Washer, Flat, 0.44b 1.00d .08, Ss	2	
33	08182	Pin, Cotter, .125 X 1.00	2	
34	08713	Nut, Hex, Lock, M8 X 1.25, NI, Ss	2	

Fig. 31 - Rear Squeegee Group, 650 mm (26 in)

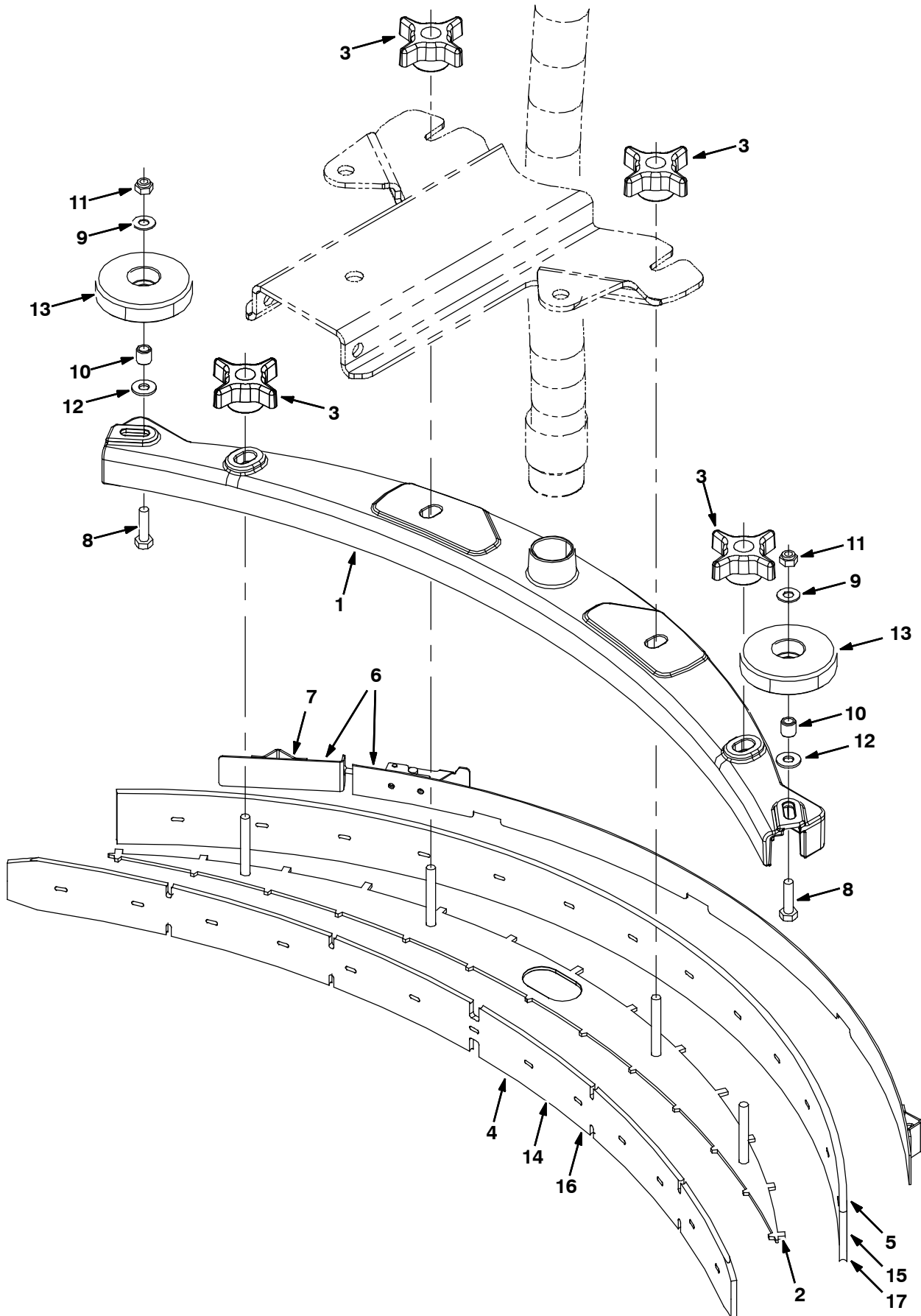


Fig. 31 - Rear Squeegee Group, 650 mm (26 in)

	Ref.	Part No.	Description	Qty.
▽		9000139	Squeegee Assy Kit, 650mm, Ci [T7/Ssr]	1
▲	1	1001468	Frame, Sqge, 700mm	1
▲	2	1012934	Plate Wldt, Sqge, Retainer, 700mm	1
▲	3	1074204	Knob,Star,2.75d 4ear 1.1l M8x1.25,Thru,Y	4
▲	4	390943	Blade, Sqge, Front, 35.00l [Linx, 700mm]	1
▲	5	390942	Blade, Sqge, Rear, 37.50l Linatex[700mm]	1
▲▽	6	1245861	Strap Assy, Sqge, 700mm [T7/T7amr], Yl	1
▲▲	7	1012643	Strap Wldt, Sqge, Wedge, Ss [T3]	1
▲	8	09011	Screw, Hex, M8 X 1.25 X 30, Ss	2
▲	9	140027	Washer, Flat, 0.35b 0.75d .04, Ss	2
▲	10	222460	Sleeve, P/M, 0.496d 0.318b 0.50l 430ss	2
▲	11	08713	Nut, Hex, Lock, M8 X 1.25, Ni, Ss	2
▲	12	01685	Washer, Flat, 0.38b 0.88d .08, Ss	2
▲	13	1010560	Wheel, Bmpr, 80d X 25w, Non- Marking	2
▽		391384	Squeegee Kit, 700mm, Ure	1
▲	14	391377	Blade, Sqge, Front, 35.00l Ure [700mm]	1
▲	15	391378	Blade, Sqge, Rear, 37.50l Pyu [700mm]	1
▽		391386	Squeegee Kit, 700mm, Gum	1
▲	16	390943	Blade, Sqge, Front, 35.00l [Linx, 700mm]	1
▲	17	390936	Blade, Sqge, Rear, 37.50l Gum [700mm]	1

Fig. 32 - Rear Squeegee Group, 800 mm (32 in)

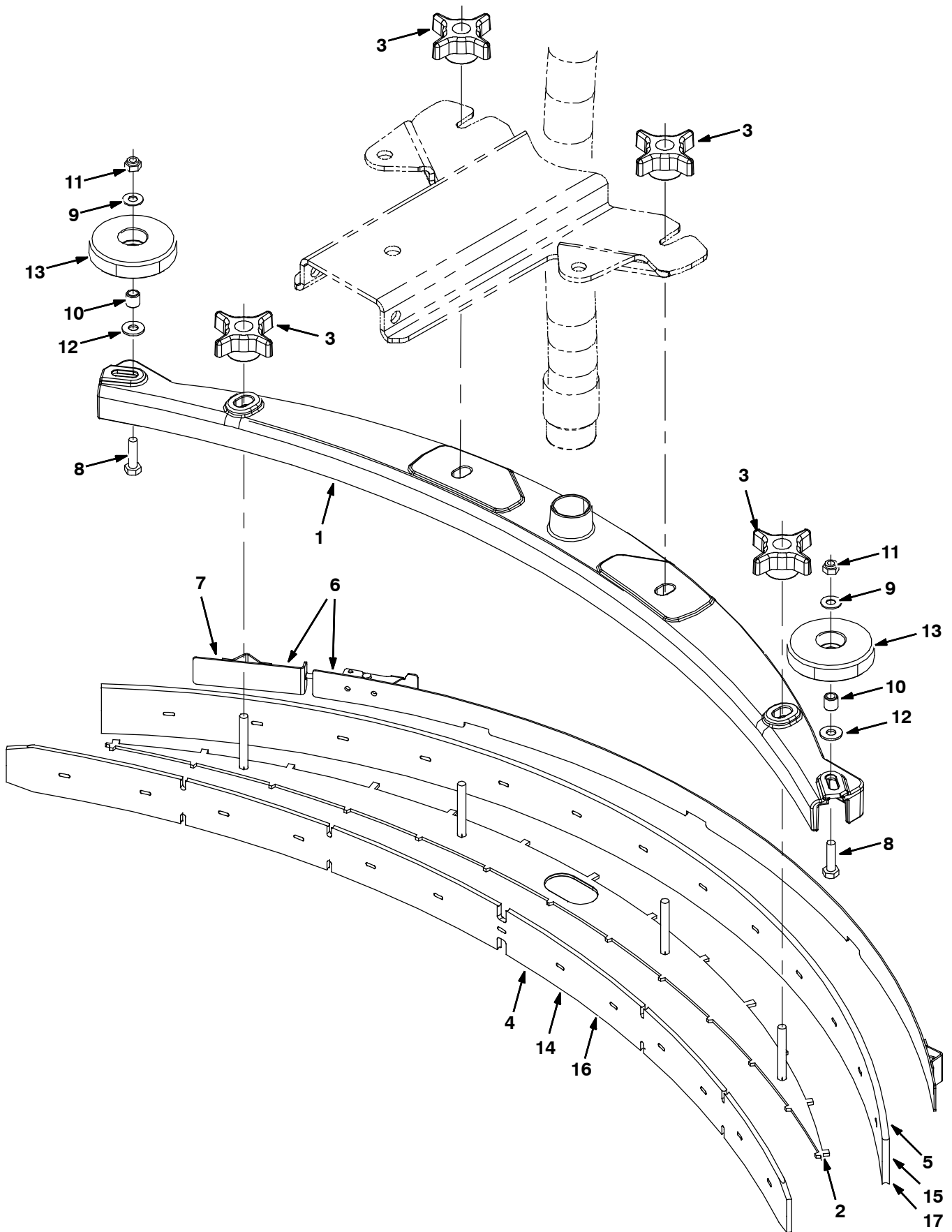


Fig. 32 - Rear Squeegee Group, 800 mm (32 in)

	Ref.	Part No.	Description	Qty.
▽		9000145	Squeegee Assy Kit, 800mm, Ci [T7/Ssr]	1
▲	1	1012964	Frame, Sqge, 800mm	1
▲	2	1013395	Plate Wldt, Sqge, Retainer, 800mm	1
▲	3	1074204	Knob,Star,2.75d 4ear 1.1l M8x1.25,Thru,Y	4
▲	4	390923	Blade, Sqge, Front, 41.50l [Linx, 800mm]	1
▲	5	390922	Blade, Sqge, Rear, 44.00l Linatex[800mm]	1
▲▽	6	1033102	Strap Assy, Sqge, 800mm	1
▲▲	7	1012643	Strap Wldt, Sqge, Wedge, Ss [T3]	1
▲	8	09011	Screw, Hex, M8 X 1.25 X 30, Ss	2
▲	9	140027	Washer, Flat, 0.35b 0.75d .04, Ss	2
▲	10	222460	Sleeve, P/M, 0.496d 0.318b 0.50l 430ss	2
▲	11	08713	Nut, Hex, Lock, M8 X 1.25, NI, Ss	2
▲	12	01685	Washer, Flat, 0.38b 0.88d .08, Ss	2
▲	13	1010560	Wheel, Bmpr, 80d X 25w, Non- Marking	2
▽		391383	Squeegee Kit, 800mm, Ure	1
▲	14	391379	Blade, Sqge, Front, 41.50l Ure [800mm]	1
▲	15	391380	Blade, Sqge, Rear, 44.0l Pyu [800mm]	1
▽		391385	Squeegee Kit, 800mm, Gum	1
▲	16	390923	Blade, Sqge, Front, 41.50l [Linx, 800mm]	1
▲	17	390934	Blade, Sqge, Rear, 44.00l Gum [800mm]	1

Fig. 33 - Circuit Board Group

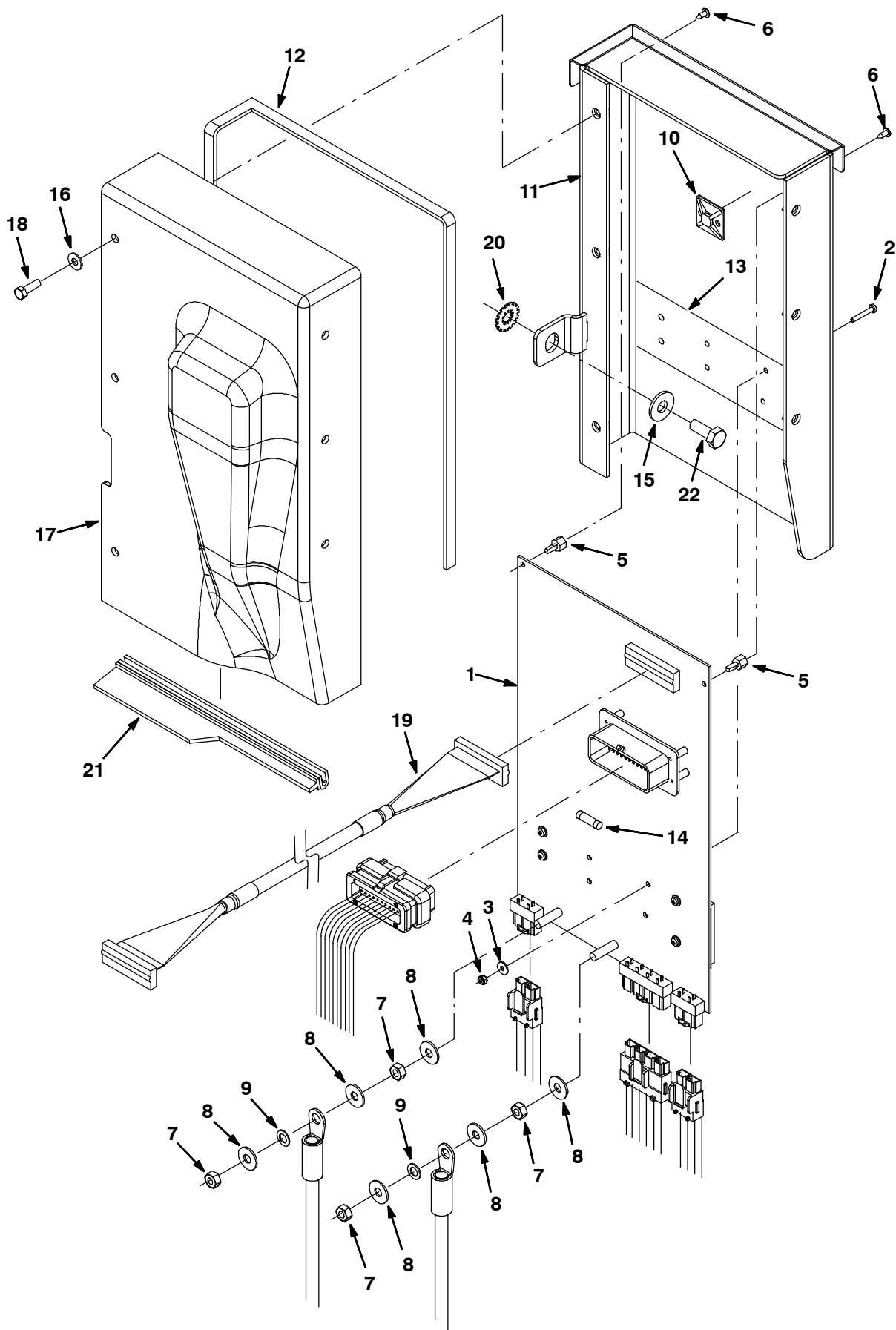


Fig. 33 - Circuit Board Group

Ref.	Part No.	Description	Qty.
1	1250880	② Circuitboard, Logic [Disk T7/Ssr] (Disk Models)	1
1	1076602	① Circuitboard, Logic [Disk T7/Ssr- Rev17] (Disk Models) (Replaced By 1250880)	1
1	1076606	Circuitboard, Logic, [Cyl T7/Ssr- Rev 17] (Cylindrical Models)	1
2	06922	Screw, Pan, M3 X 0.5 X 20, 4.8	4
3	1019218	Washer, Flat, 0.14b 0.31d, Nyl	3
4	579211	Nut, Hex, Lock, M3 X .5, Ss	3
5	1016825	Support, Circuitboard	2
6	3701.6	Screw, Pan, #06- 32 X 0.38, Phl Ss Shtmtl	2
7	07785	Nut, Hex, Std, M6 X 1.0, A2, Ss	4
8	1057560	Washer, Flat, M6.4b, X 16d X 1 Ss	6
9	32982	Washer, Lock, Int, 0.25	2
10	55248	Mount, Cable Tie	1
11	1017754	Panel, Wldt, Cntrl	1
12	1020284	Seal, Afmkt, Rbr, Clsd, Adh, 03ft (C410217)	1
13	1016816	Pad, Thermal, Heat Sink	1
14	1030692	Vr, Fuse, 15a, Replmt	1
15	01685	Washer, Flat, 0.31 Ss	1
16	76426	Washer, Sealing, 0.28b 0.75d Ss/Neo	6
17	1036368	Cover, Panl, Ele, Afmkt, Na, Ce, Tj	1
18	24199	Screw, Hex, M5 X 0.8 X 16, Ss	6
19	1016865	Cable, Ribbon	1
20	41141	Washer, Lock, Int- Ext, 0.31	1
21	1019083	Seal, Cut	1
22	09740	Screw, Hex, M8 X 1.25 X 20, Ss	1

① Serial number (30000000- xxxxxxxx)

② Serial number (xxxxxxx-)

Fig. 34 - Electrical Group

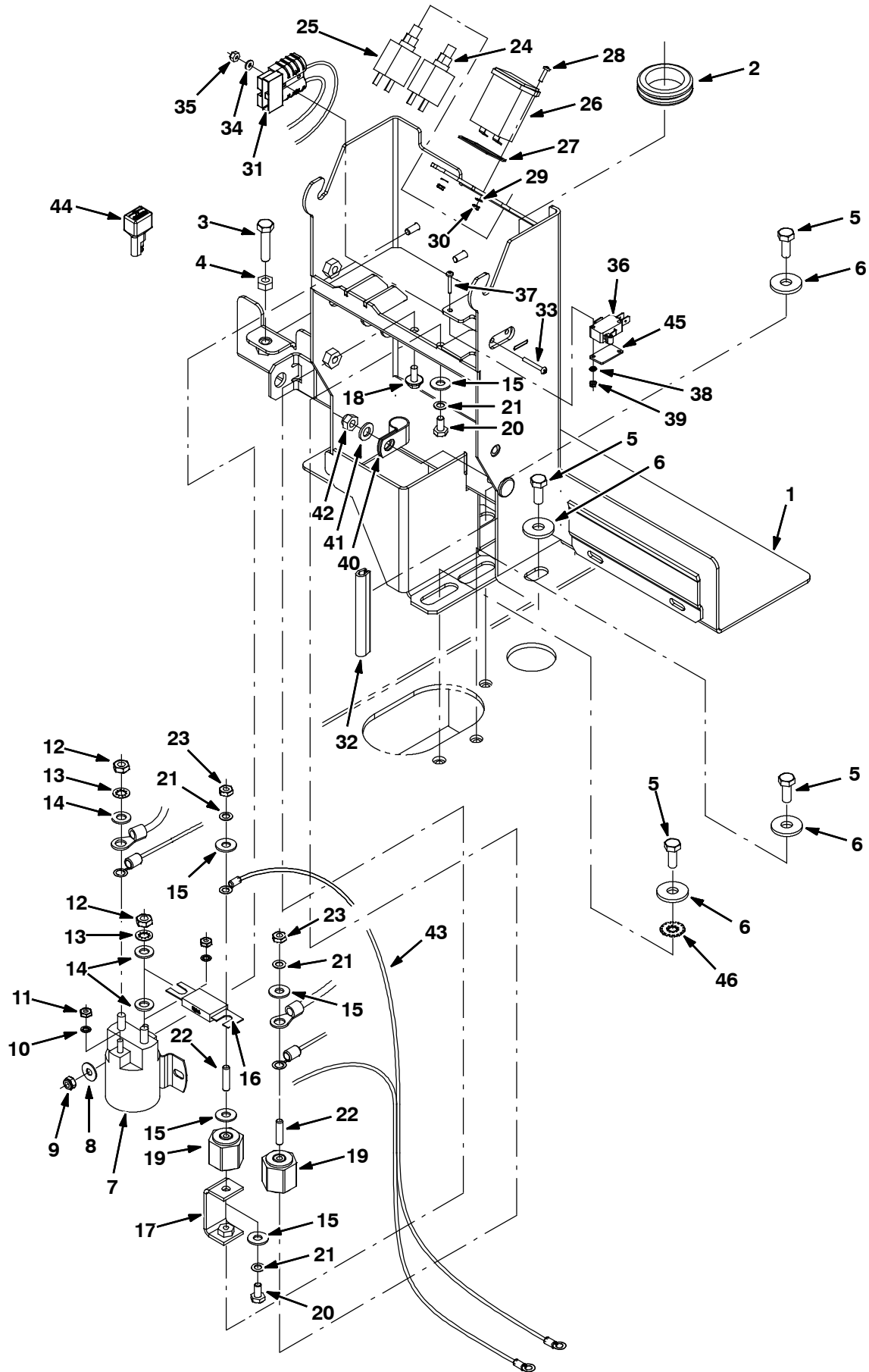
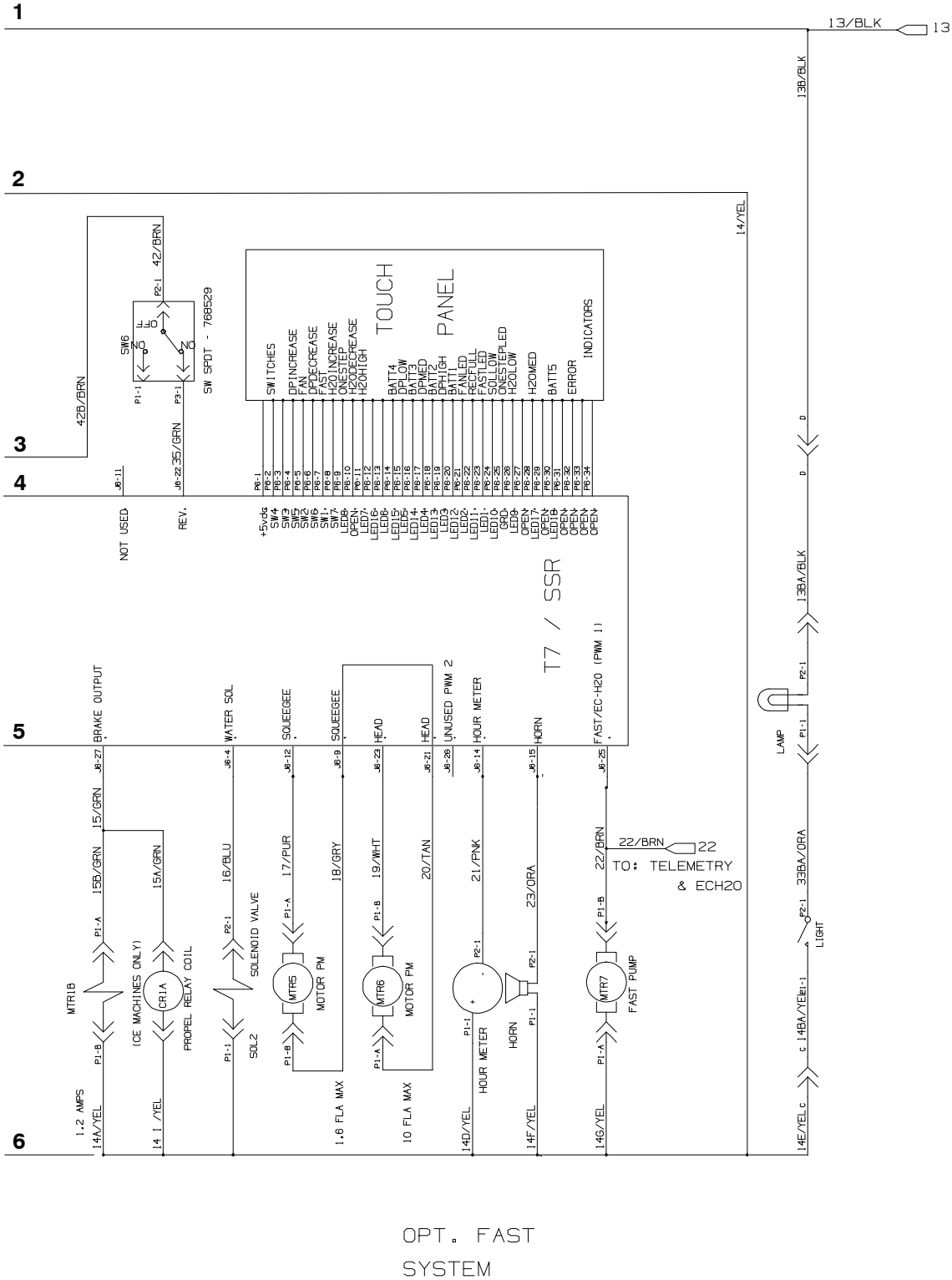


Fig. 34 - Electrical Group

Ref.	Part No.	Description	Qty.
1	1062850	Support Wldt, Actuator (For Disk Scrub Head)	1
1	1021531	Support Wldt, Actuator (For Cylindrical Scrub Head)	1
2	10632- 13	Grommet, Rbr, 1.50id, F/1.8h, .19 Matl	1
3	09023	Screw, Hex, M8 X 1.25 X 35, Ss, Fl	1
4	07786	Nut, Hex, Std, M8 X 1.25, Ss	1
5	09740	Screw, Hex, M8 X 1.25 X 20, Ss	5
6	1017218	Washer, Flat, 0.321b 1.00d .12, Ss	5
7	02424	Relay, 24vdc, 100a, Sp N/O [White]	1
8	01684	Washer, Flat, 0.25 Ss	2
9	08712	Nut, Hex, Lock, M6 X 1.0, Ss, NI	2
10	07514	Washer, Lock, Int, #10, Ss	2
11	01689	Nut, Hex, Std, #10- 32, Ss	2
12	20170	Nut, Hex, Jam, .31- 24	2
13	32984	Washer, Lock, Int, .31	2
14	39349	Washer, Flat, 0.31 Sae	3
15	32490	Washer, Flat, 0.25 Std	5
16	86379	Fuse, .88 X 3.2l 100a 125vac	1
17	1018546	Bracket, Stand- Off (For Disk Scrub Head)	1
18	1034731	Screw, Hex, M6 X 1.00 X 16, Ss, Sems	1
19	76062	Insulator, Panel & Switchboard	2
20	58670	Screw, Hex, .25- 20 X 0.50, NI	2
21	32982	Washer, Lock, Int, 0.25	4
22	1017807	Rod, Thrd, Full, .25- 20 01.0l	2
23	32520	Nut, Hex, Jam, .25- 20	2
24	383720	Circuitbreaker, 5.0a	1
25	383722	Circuitbreaker, 15.0a	1
26	377433	Gauge, Hourmeter, 12- 60vdc, Analog [10k]	1
27	222683	Gasket, Hourmeter	1
28	09146	Screw, Pan, M3 X 0.5 X 12, 4.8	2
29	39658	Washer, Lock, Int, #04	2
30	01754	Nut, Hex, Std, M3 X 0.5, 8	2
31	391915	Harness, Chrgr [T7] (Off- Board Charger Model w/out Telemetry)	1
31	1248891	Harness, Chrgr[T7] (China - Lithium- Ion Model)	1
32	1020168	Molding, Afrmkt, Trim, Pvc, .08- .11, 1ft	1
33	25005	Screw, Pan, #06- 32 X 1.00, 1	2
34	19064	Washer, Flat, #06 (Off- Board Charger Model w/out Telemetry)	2
35	75939	Nut, Hex, Lock, #06- 32, NI (Off- Board Charger Model w/out Telemetry)	2
36	600437	Switch, Snap Actn, 250vac 16a (Off- Board Charger Model w/out Telemetry)	1
37	06922	Screw, Pan, M3 X 0.5 X 20, 4.8	2
38	39658	Washer, Lock, Int, #04 (Off- Board Charger Model w/out Telemetry)	2
39	01754	Nut, Hex, Std, M3 X 0.5, 8 (Off- Board Charger Model w/out Telemetry)	2
40	69234	Clamp, Cable, Stl, 1.00d X 0.62w, 1h	1
41	01685	Washer, Flat, 0.31 Ss	1
42	08713	Nut, Hex, Lock, M8 X 1.25, NI, Ss	1
43	391916	Harness, Power, [T7]	1
44	222290	Diode, Ele, Plug	2
45	601359	Plate, Backing, Switch (Off- Board Charger Model w/out Telemetry)	1
46	41141	Washer, Lock, Int- Ext, 0.31	1

Fig. 35 - Electrical Schematic, Standard, FaST & ec-H2O Models (S/N 30044871-)



OPT. FAST SYSTEM

Fig. 35 - Electrical Schematic, Standard, FaST & ec-H2O Models (S/N 30044871-)

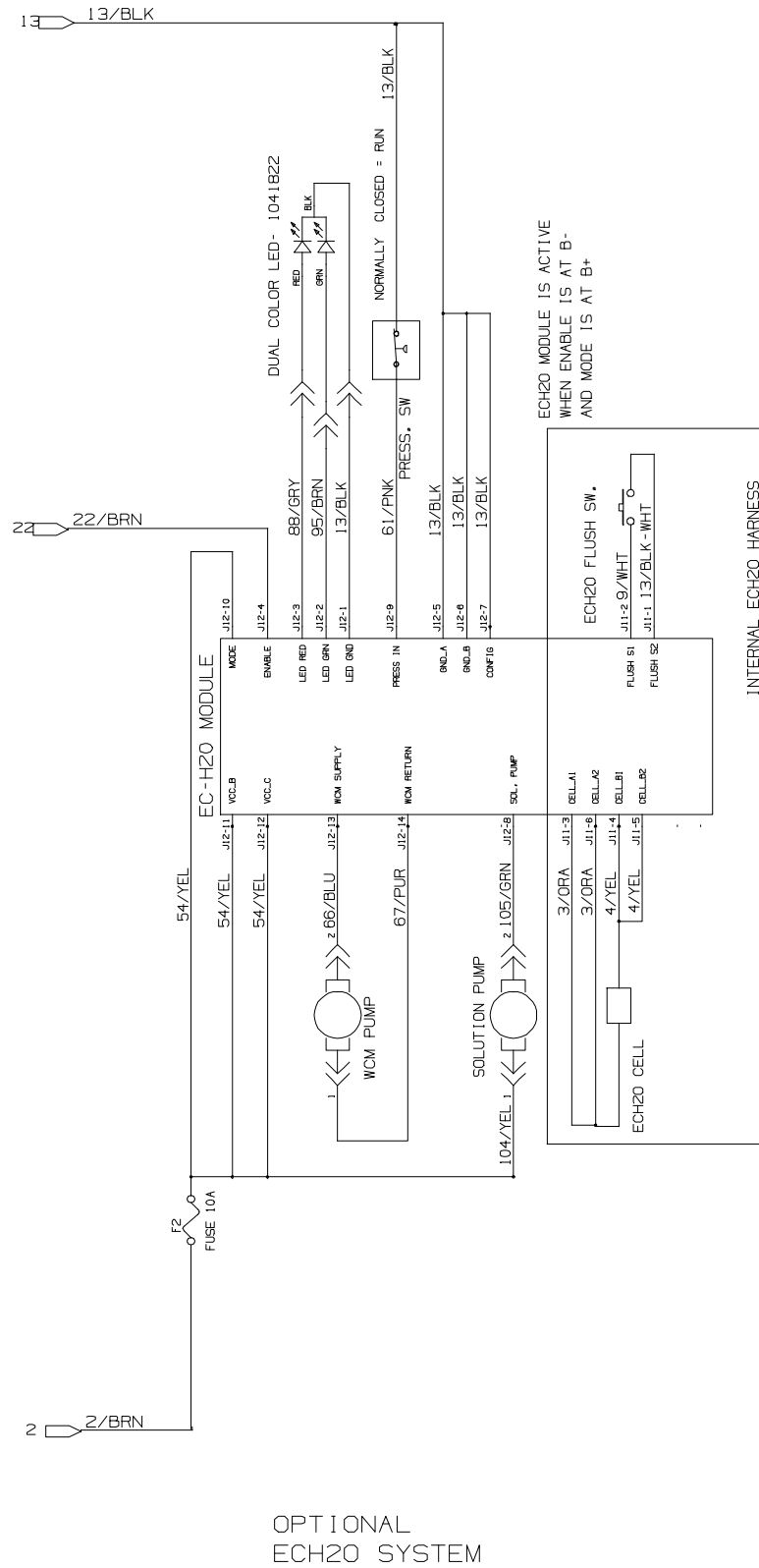
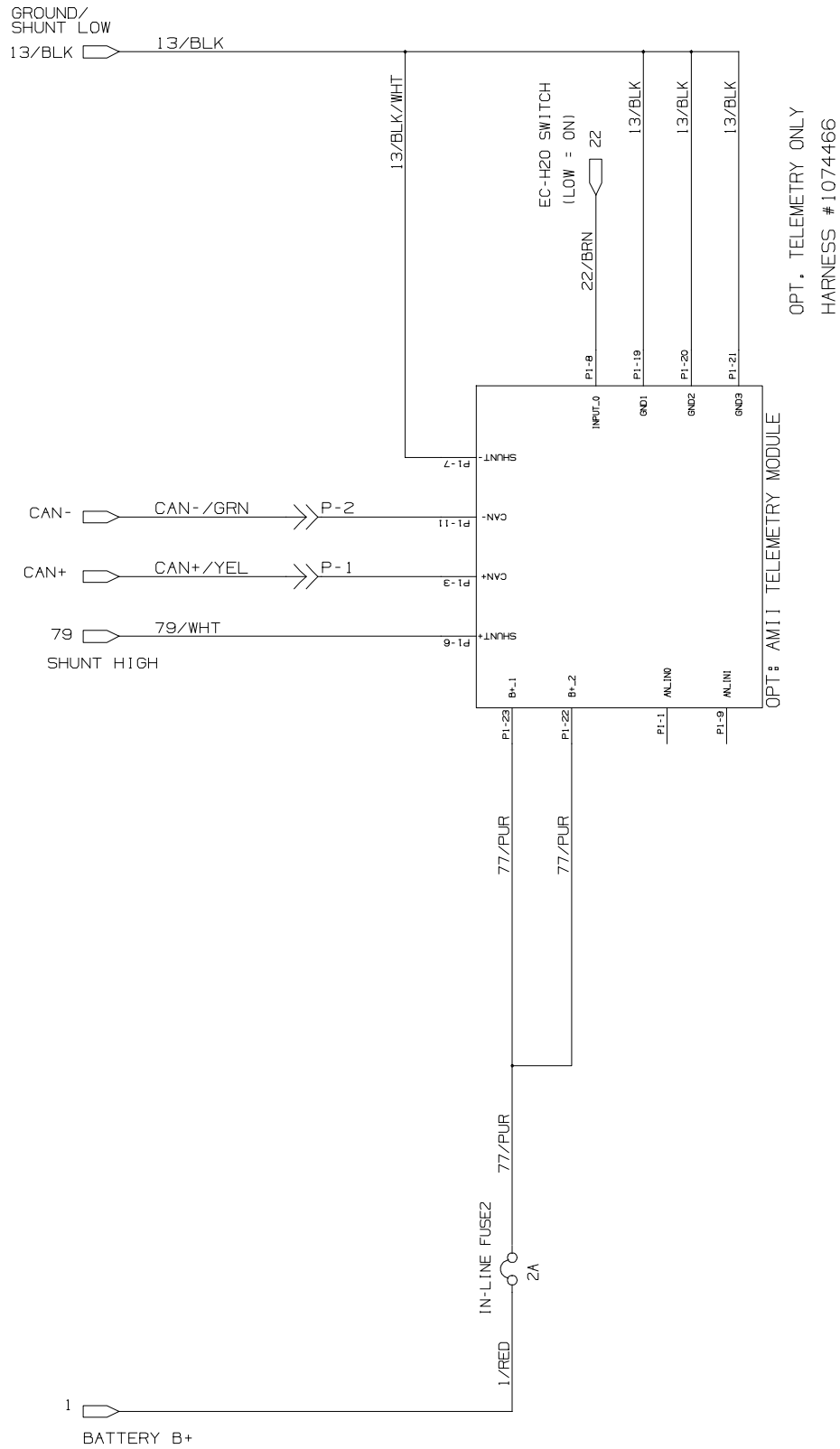


Fig. 35 - Electrical Schematic, Standard, FaST & ec-H2O Models (S/N 30044871-)



OPTIONAL :
TELEMETRY ONLY

Fig. 36 - Electrical Schematic, Standard & FaST Model (S/N 3000000-30044870)

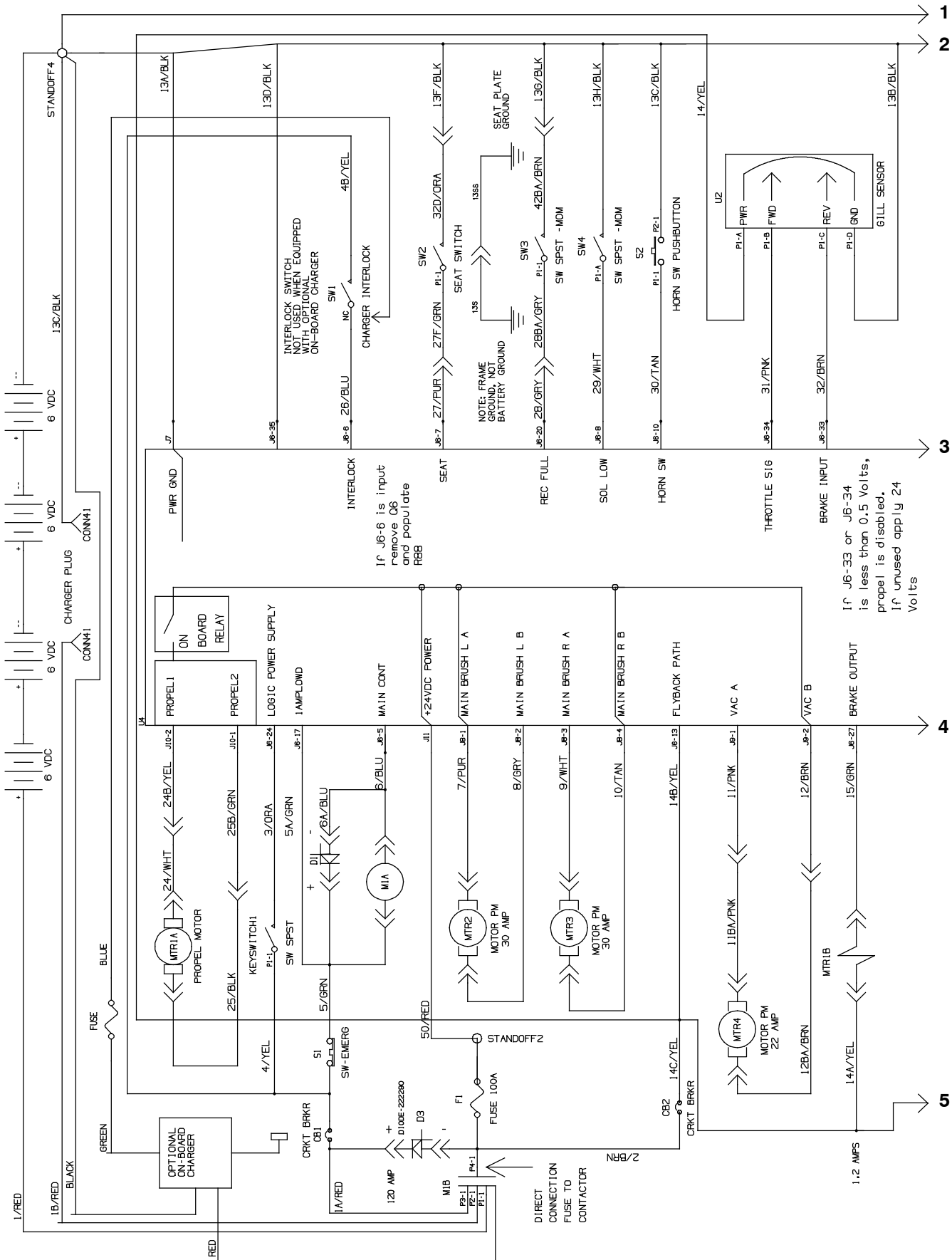
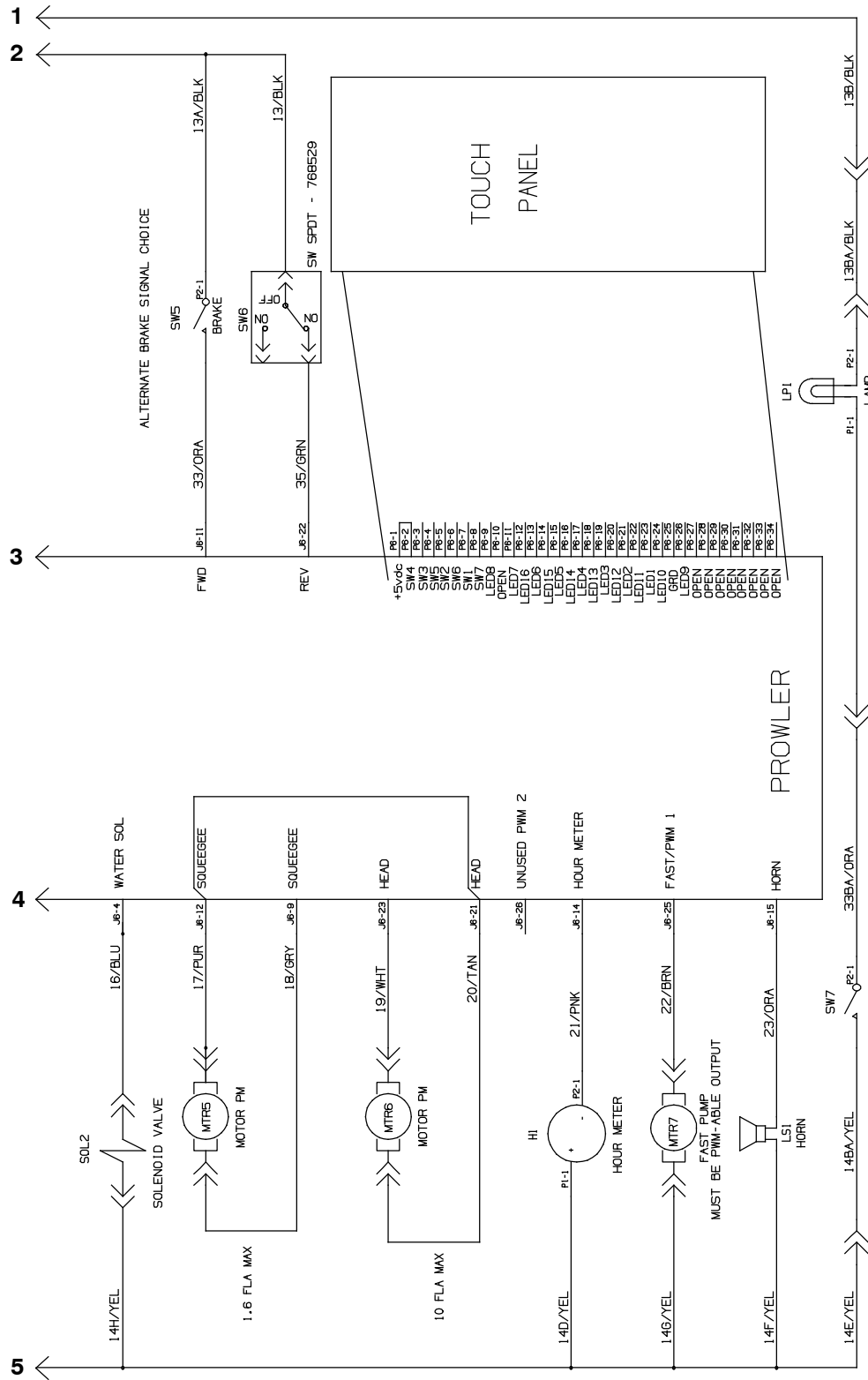


Fig. 36 - Electrical Schematic, Standard & FaST Model (S/N 30000000-30044871)



1. 1/RED and 13/BLK will remain as before.
- All other wires will have a specific wire color based on the one's digit of the wire number as follows:
 - x1=PNK (except 1/RED)
 - x2=BRN
 - x3=ORA (except 13/BLK)
 - x4=YEL
 - x5=GRN
 - x6=BLU
 - x7=PUR
 - x8=GRY
 - x9=WHT
 - x10=TAN

Fig. 37 - Electrical Schematic, *ec-H2O* Model (S/N 3000000-30044870)

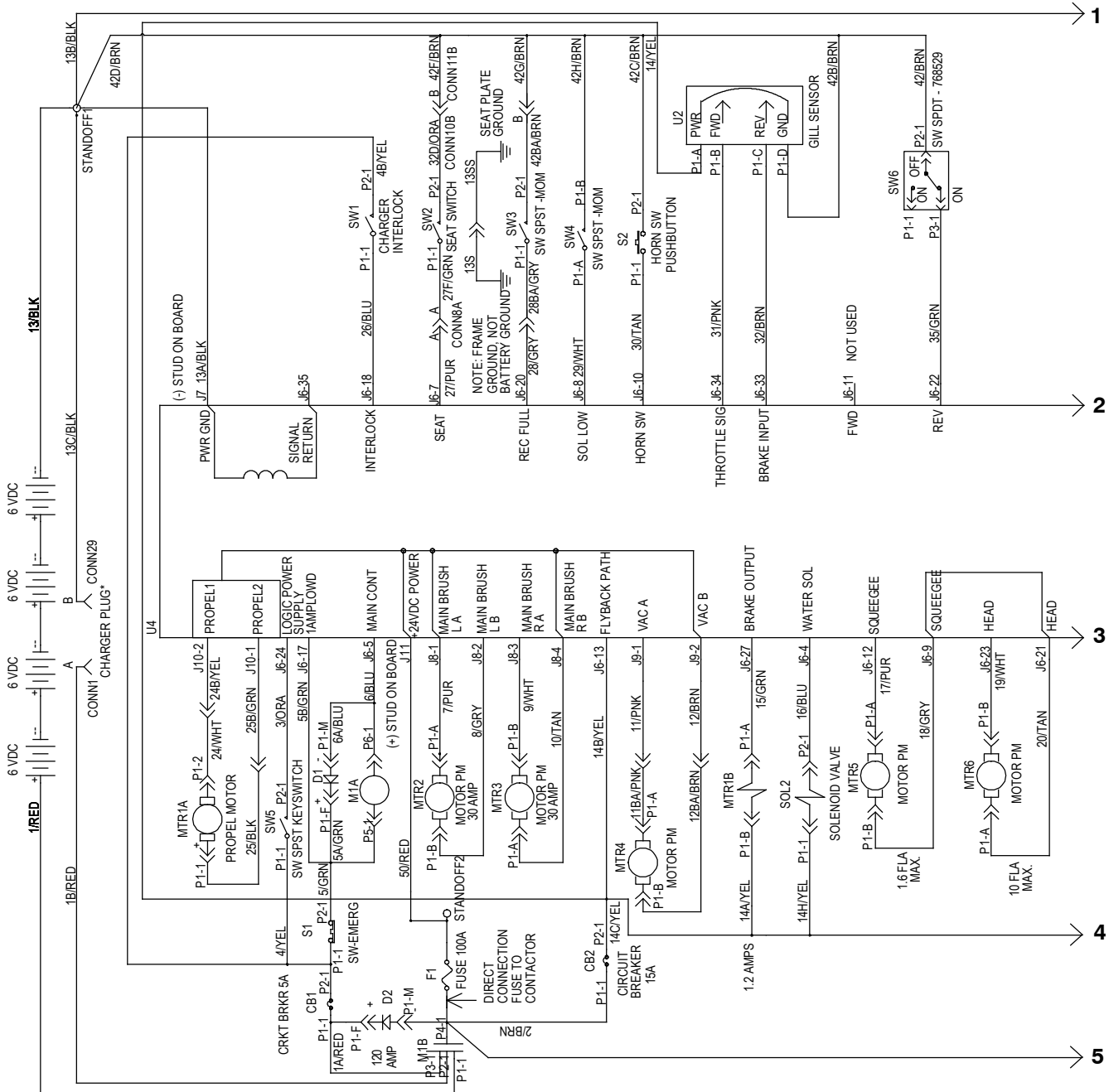


Fig. 37 - Electrical Schematic, ec-H2O Model (S/N 30000000-30044870)

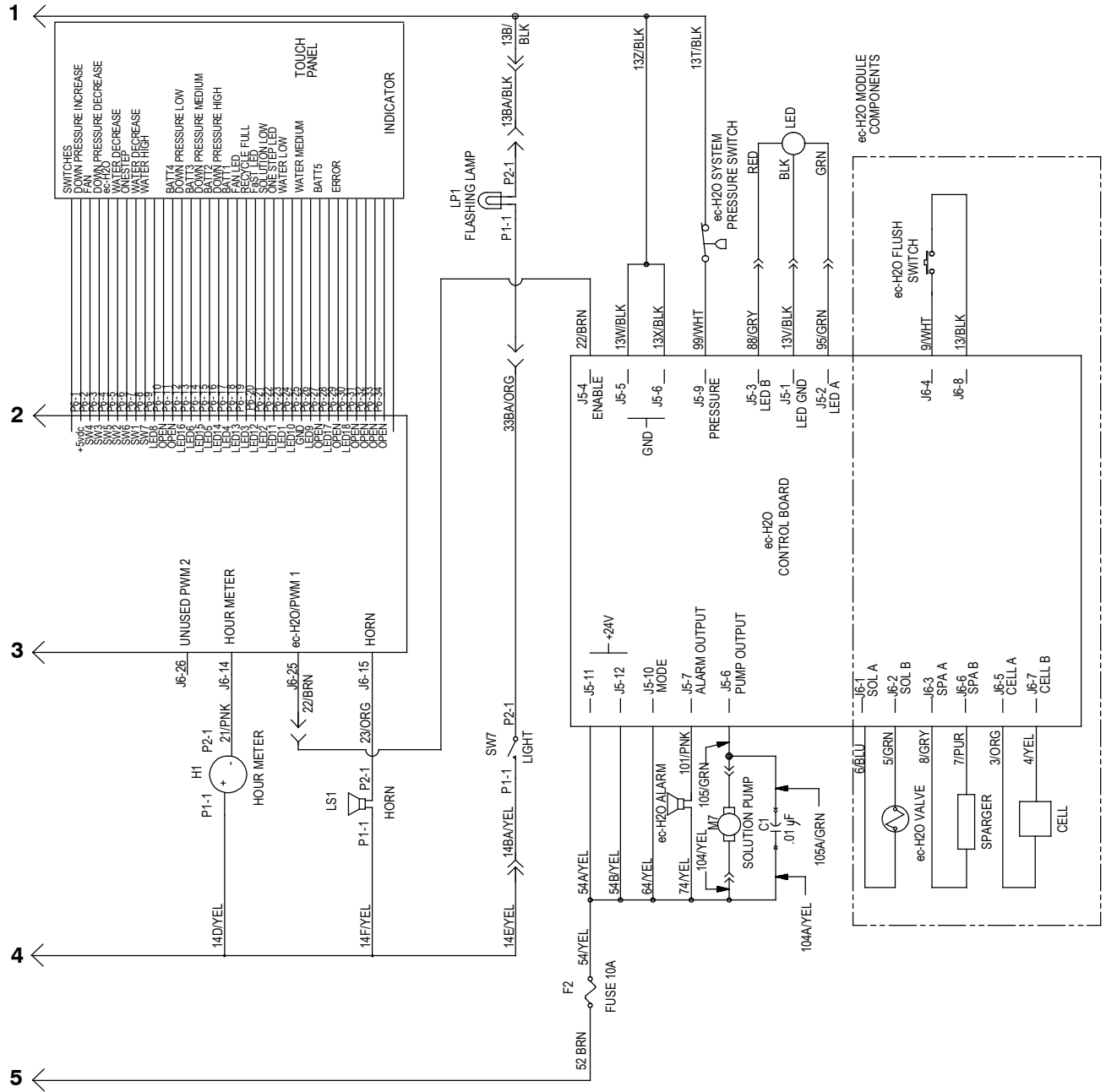
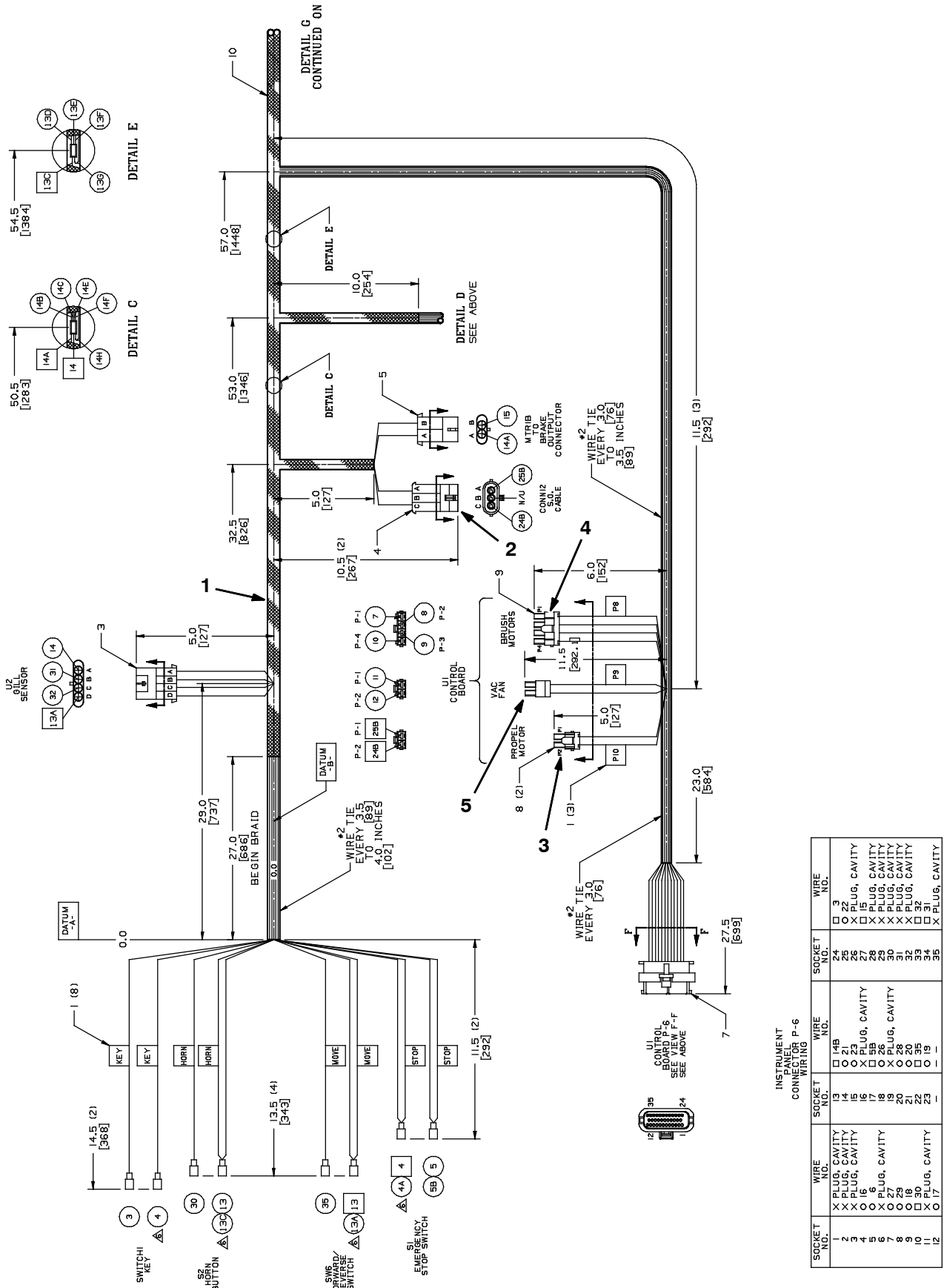


Fig. 38 - Wire Harnesses Group, Main (S/N 30100995-

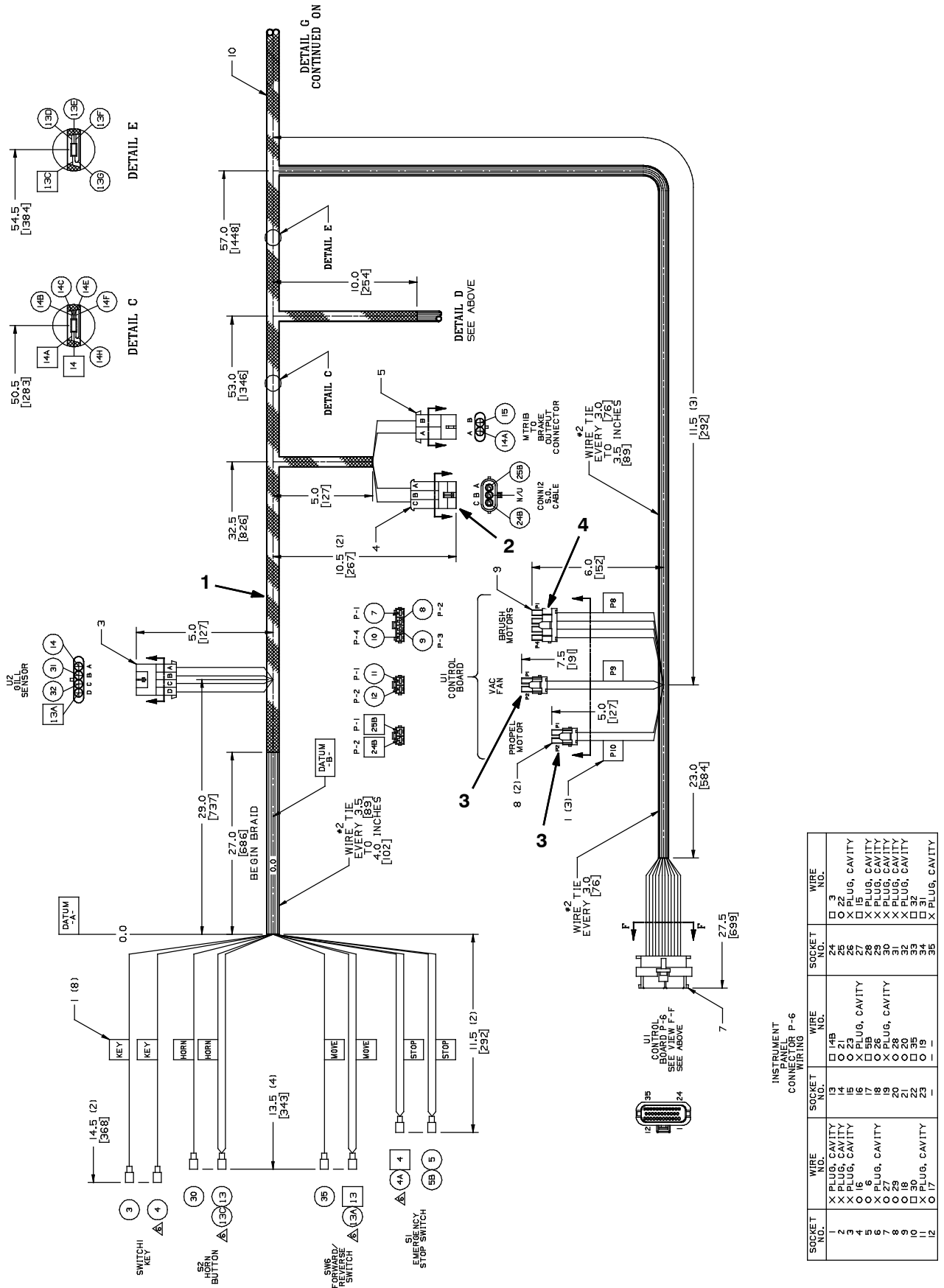


INSTRUMENT PANEL WIRING P-6

SOCKET NO.	WIRE NO.	SOCKET NO.	WIRE NO.
1	X PLUG, CAVITY	24	3
2	X PLUG, CAVITY	25	22 PLUG, CAVITY
3	14B	26	O 21
4	15	27	X 15
5	6	28	X PLUG, CAVITY
6	X PLUG, CAVITY	29	O 26
7	52	30	X PLUG, CAVITY
8	18	31	O 20
9	O 17	32	X PLUG, CAVITY
10	X PLUG, CAVITY	33	O 32
11	O 17	34	O 31
12	O 17	35	X PLUG, CAVITY

VIEW F-F

Fig. 39 - Wire Harnesses Group, Main (S/N 3000000-3010094)



INSTRUMENT PANEL WIRING P-6

WIRE NO.	SOCKET NO.	WIRE NO.	SOCKET NO.	WIRE NO.	SOCKET NO.
1	13	14B	24	3	35
2	14	21	25	4	35
3	15	22	26	5	35
4	16	23	27	6	35
5	17	24	28	7	35
6	18	25	29	8	35
7	19	26	30	9	35
8	20	27	31	10	35
9	21	28	32	11	35
10	22	29	33	12	35
11	23	30	34		
12	24	31	35		
		32			
		33			
		34			
		35			

VIEW F-F

Fig. 39 - Wire Harness Group, Main (S/N 3000000-3010094)

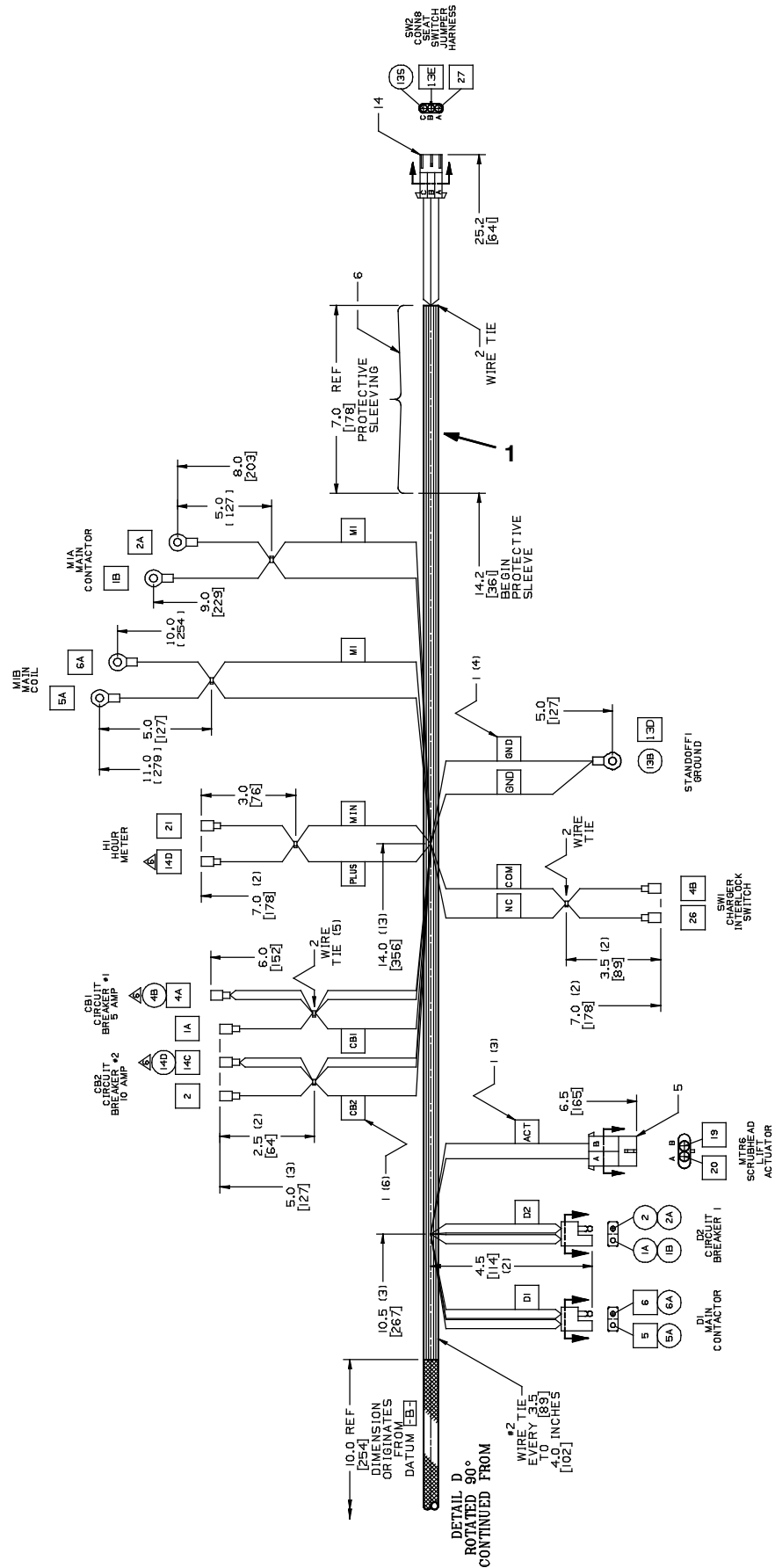
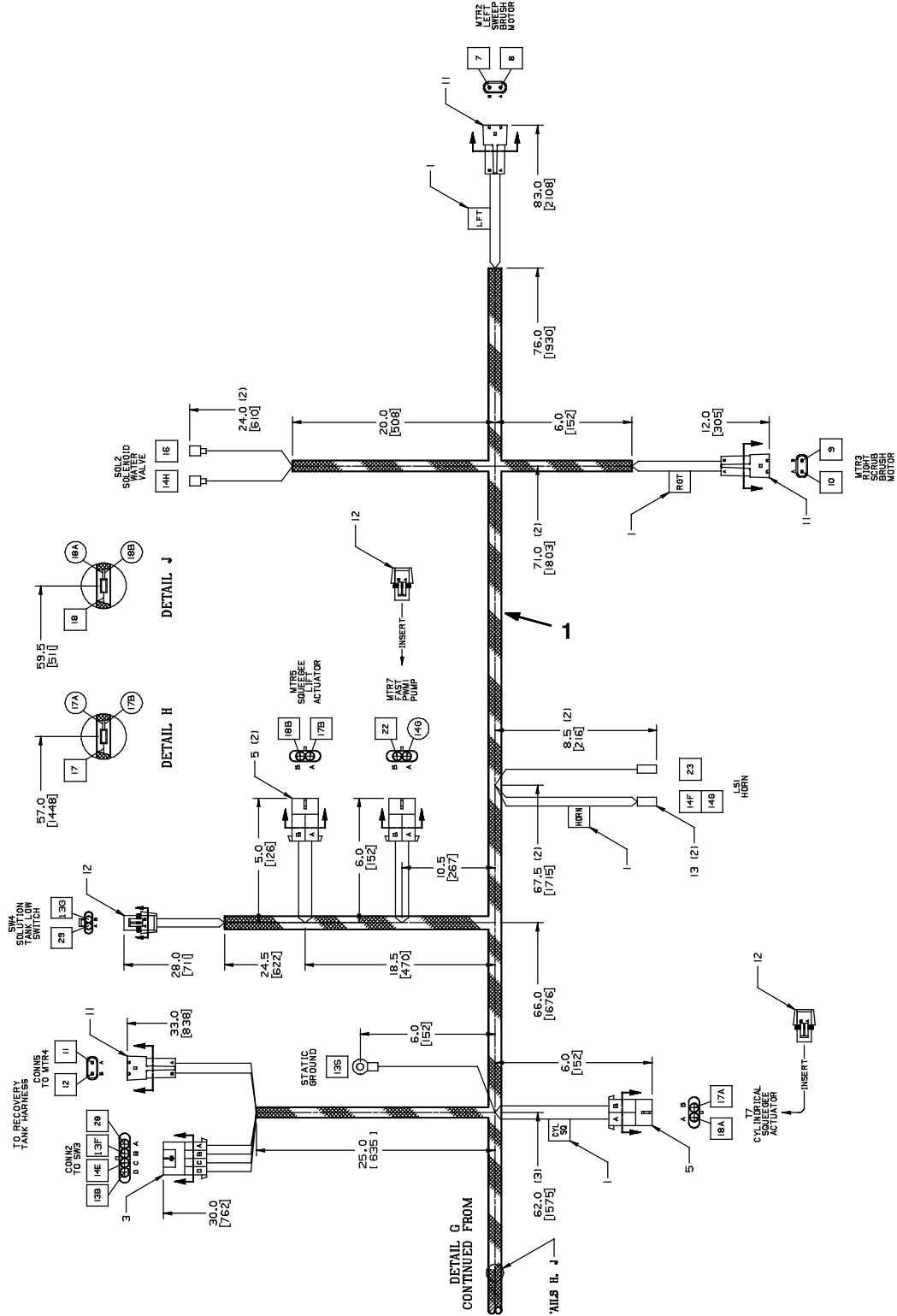


Fig. 39 - Wire Harnesses Group, Main (S/N 30000000-30100994)

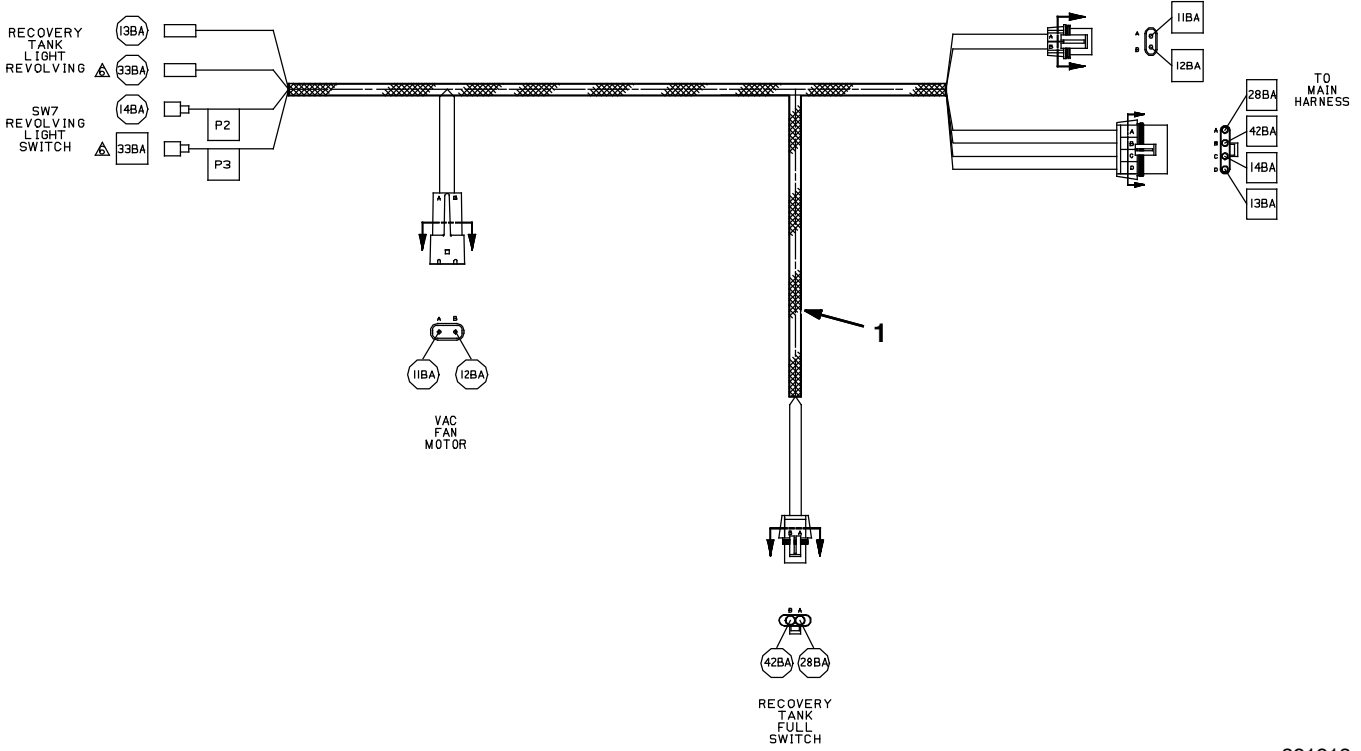


1052906

Ref.	Part No.	Description	Qty.
▽	1 1052906	1 Harness, Main [T7] (Replaced by 9001454)	1
▲	2 1047189	Connector, Mal, 3 Cav [Mp630]	1
▲	3 1076631	1 Harness, Ele, Connector	2
▲	4 1051629	Connector, Fem, 4 Cav [Molex]	1

1 Serial number (30000000- 30100994)

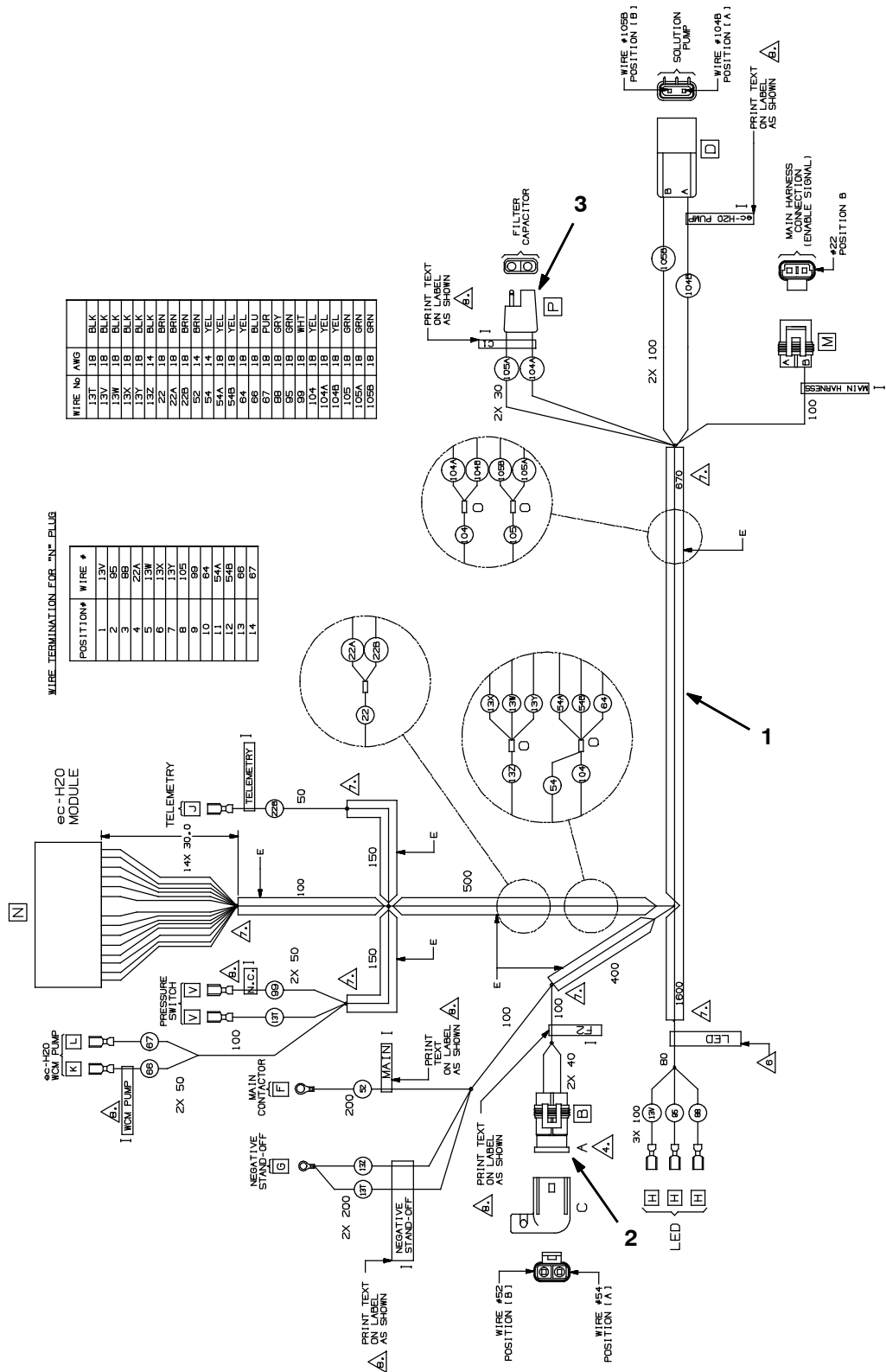
Fig. 40 - Wire Harnesses Group, Tank



391913

Ref.	Part No.	Description	Qty.
1	391913	Harness, Tank, [T7]	1

Fig. 41 - Wire Harnesses Group, ec-H2O NanoClean (S/N 30044871 -)

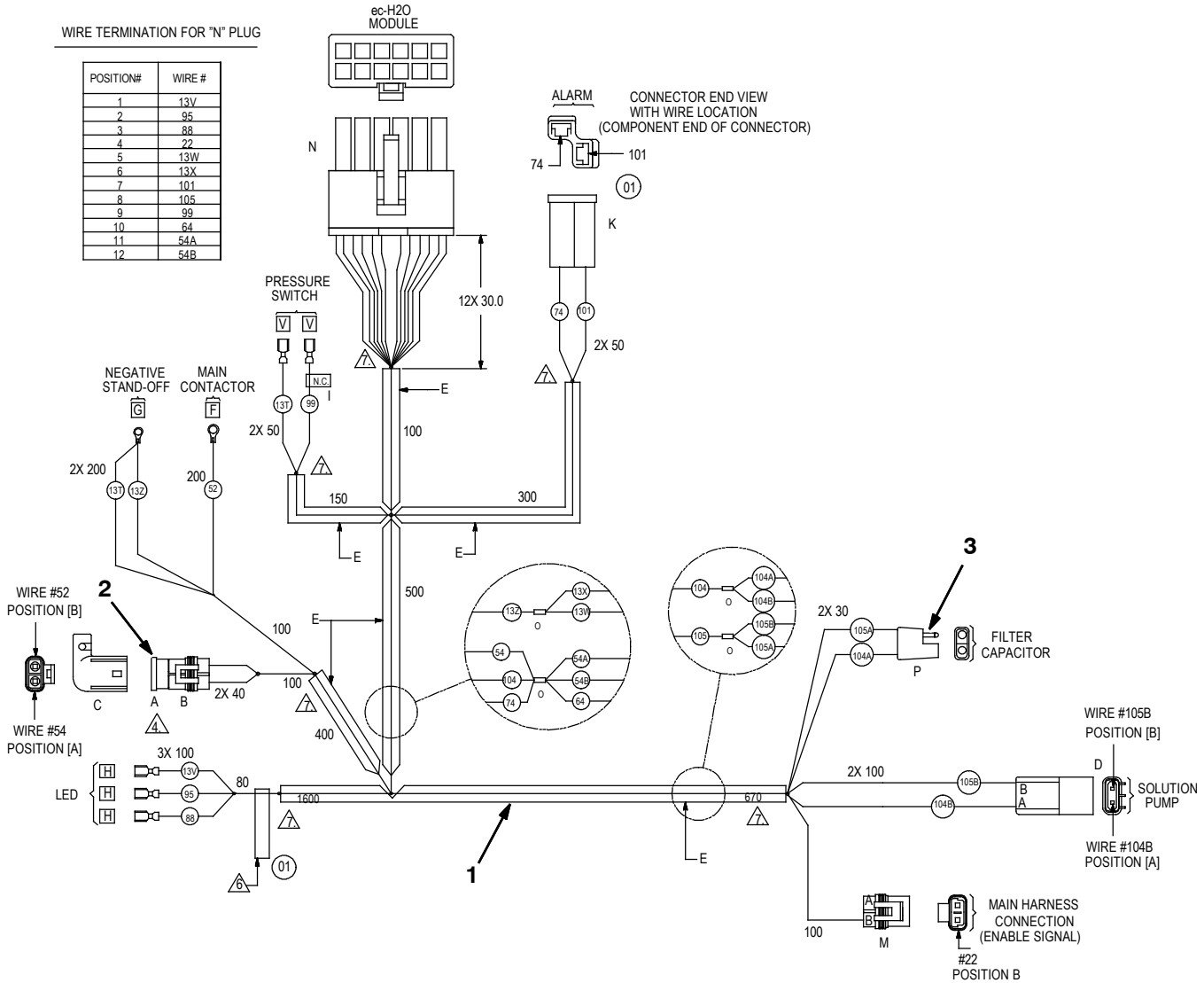


Ref.	Part No.	Description	Qty.
1	1074374	[2] Harness Assy, Wire [T7 Ec- H2o G2]	1
2	1047470	Fuse, Blade, 010a, 32vdc, Red	1
3	1040868	Capacitor, Plug [.01 Uf, 200v]	1

[2] Serial number (30044871-)

STANDARD PARTS

Fig. 42 - Wire Harnesses Group, *ec-H2O* (S/N 30000000-30044870)



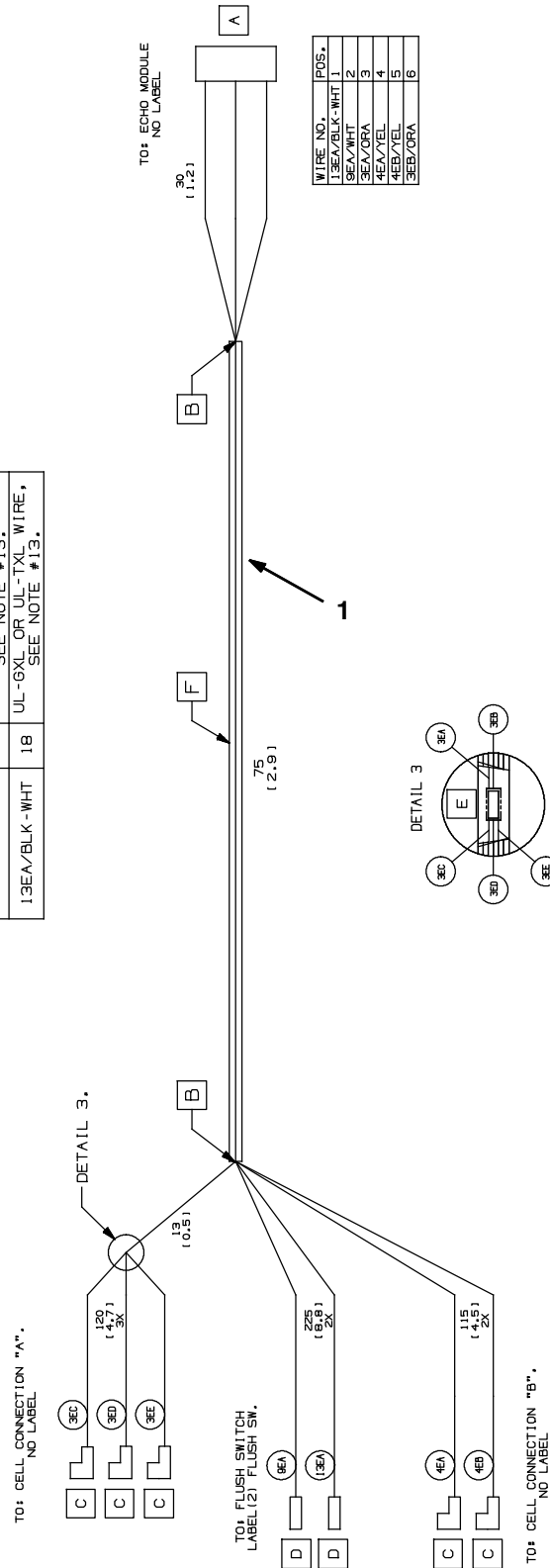
1050394

Ref.	Part No.	Description	Qty.
1	1050394	¹ Harness Assy, Wire [T7 Ec- H2o]	1
2	1047470	Fuse, Blade, 010a, 32vdc, Red	1
3	1040868	Capacitor, Plug [.01 Uf, 200v]	1

¹ Serial number (30000000-30044870)

Fig. 43 - Wire Harness Group, ec-H2O NanoClean Main Control Board (S/N 30044871-)

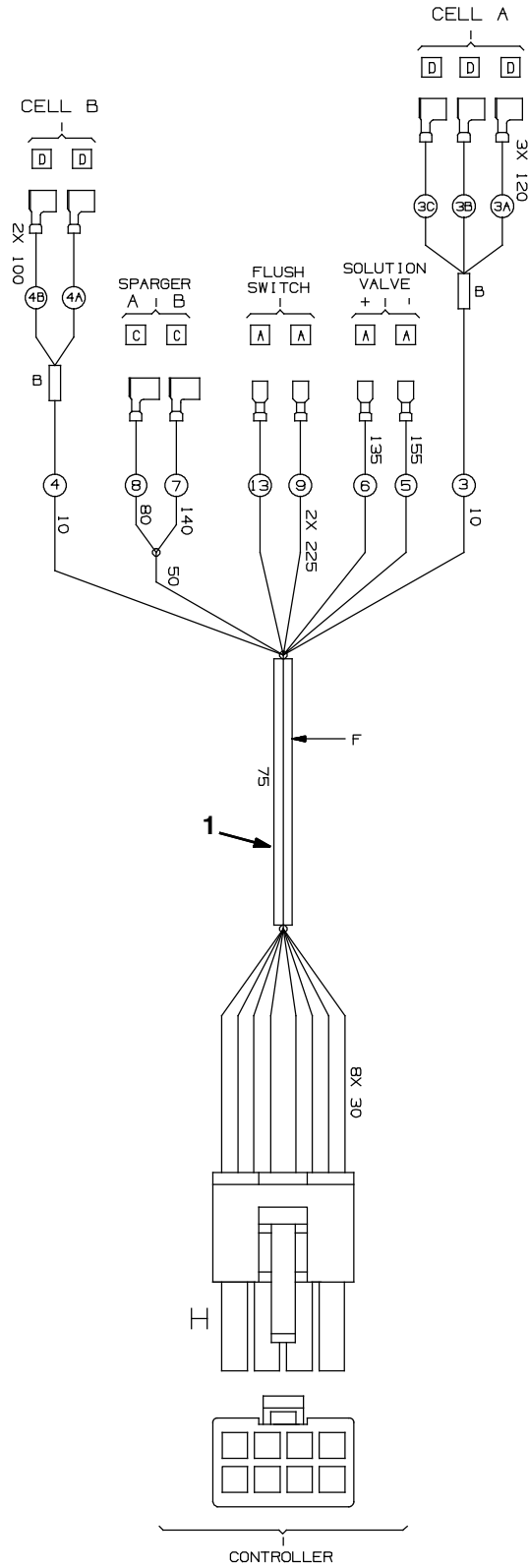
WIRE NO.	AWG	TYPE
3EA/DRA	16	UL-GXL OR UL-TXL WIRE, SEE NOTE #13.
3EB/DRA	16	UL-GXL OR UL-TXL WIRE, SEE NOTE #13.
3EC/DRA	16	UL-GXL OR UL-TXL WIRE, SEE NOTE #13.
3ED/DRA	16	UL-GXL OR UL-TXL WIRE, SEE NOTE #13.
3EE/DRA	16	UL-GXL OR UL-TXL WIRE, SEE NOTE #13.
4EA/YEL	16	UL-GXL OR UL-TXL WIRE, SEE NOTE #13.
4EB/YEL	16	UL-GXL OR UL-TXL WIRE, SEE NOTE #13.
9EA/WHT	18	UL-GXL OR UL-TXL WIRE, SEE NOTE #13.
13EA/BLK-WHT	18	UL-GXL OR UL-TXL WIRE, SEE NOTE #13.



Ref.	Part No.	Description	Qty.
1	1073286	2 Harness, Ele, Module B2 [Ec- H2o]	1
2	Serial number (30044871-)		

STANDARD PARTS

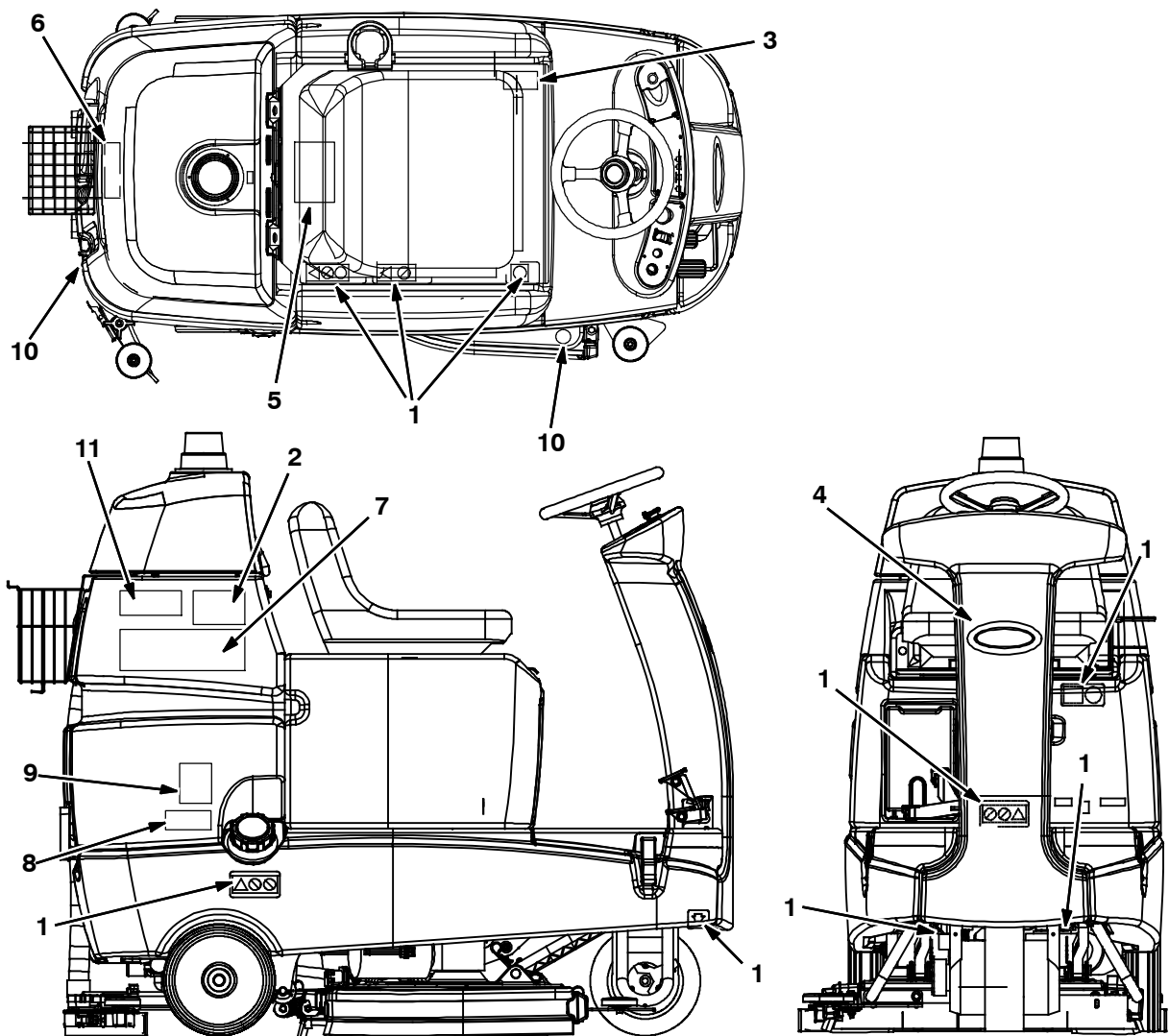
Fig. 44 - Wire Harnesses Group, *ec-H2O* Main Control Board (S/N 30000000-30044870)



Ref.	Part No.	Description	Qty.
1	1049489	1 Harness, Main,Controlboard[Ec- H2o 5cell]	1

1 Serial number (30000000- 30044870)

Fig. 45 - Label Group



Ref.	Part No.	Description	Qty.
1	1019559	Label Set, Info/Hzrd, Ce	1
1	1019186	Label Set, Info/Hzrd, Tj [T7] (Japan)	1
1	1015167	Label Set, Info/Hzrd	1
2	1056322	Label, Model, Side, White [T7]	2
3	N/A	Label [Nfsi Certification]	1
4	1047746	Label, Logo, 06.9l, White, [Tennant]	1
5	1026686	Label, Hzrd, Battery, Connections[T7]	1
5	1248893	Label, Instr, Battery [Ch] (China - Lithium- Ion Model)	1
6	1047747	Label, Logo, 06.9l, White, Hg, [Tennant]	1
7	1216520	2 Label, Logo [Ech2o Nano]	2
7	1062813	1 Label, Logo, 12.3l 4color [Ec- H2o]	2
7	1062814	Label, Logo, 06.1l White / TI [Fast]	2
8	1050003	Label [User, Attention, Ec- H2o]	1
8	391451	Label [Attention Fast Users, 5400s]	1
9	1068925	Label, Do Not Add Detgt[Ec- H20]	1
10	1030507	Label, Warning, 2x2 [No Step] (Disk Model)	3
10	1030507	Label, Warning, 2x2 [No Step] (Cylindrical Model)	1
11	1242515	Label, Logo, Lithium- Ion (China - Lithium- Ion Model)	1

1 Serial number (30000000- 30044870)

2 Serial number (30044871-)

SECTION 3

Contents	Page
Fig. 1 - FaST Group, Disk Scrub Head	3-2
Fig. 2 - FaST Group, Cylindrical Scrub Head . . .	3-4
Fig. 3 - ec-H2O NanoClean Group, Disc Scrub Head (S/N 30044871-)	3-6
Fig. 4 - ec-H2O Group, Disc Scrub Head (S/N 30000000- 30044870)	3-8
Fig. 5 - ec-H2O NanoClean Group, Cylindrical Scrub Head (S/N 30044871-)	3-10
Fig. 6 - ec-H2O Group, Cylindrical Scrub Head (S/N 30000000- 30044870)	3-12
Fig. 7 - Flashing Light Kit	3-14
Fig. 8 - Seatbelt Kit	3-15
Fig. 9 - Battery Group, 160Ah, Lithium- Ion (China)	3-16
Fig. 10 - Battery Group, 260Ah, AGM (China) . .	3-17
Fig. 11 - Battery Group, 260Ah, Wet (China) . . .	3-18
Fig. 12 - Battery Group, 180Ah, Maintenance Free	3-19
Fig. 13 - Battery Group, 220Ah, Maintenance Free	3-20
Fig. 14 - Battery Group, 360Ah, Wet	3-21
Fig. 15 - Battery Charger Kit, On- Board (S/N 30044871-)	3-22
Fig. 16 - Battery Charger Kit, On- Board (S/N 30000000- 30044870)	3-24
Fig. 17 - Battery Chargers Group, Off- Board (China)	3-26
Fig. 18 - Battery Chargers Group, Off- Board . .	3-28
Fig. 19 - HydroLink Battery Watering System Kit	3-30
Fig. 20 - Basket Kit	3-31
Fig. 21 - Documentation Group	3-32

Fig. 1 - FaST Group, Disk Scrub Head

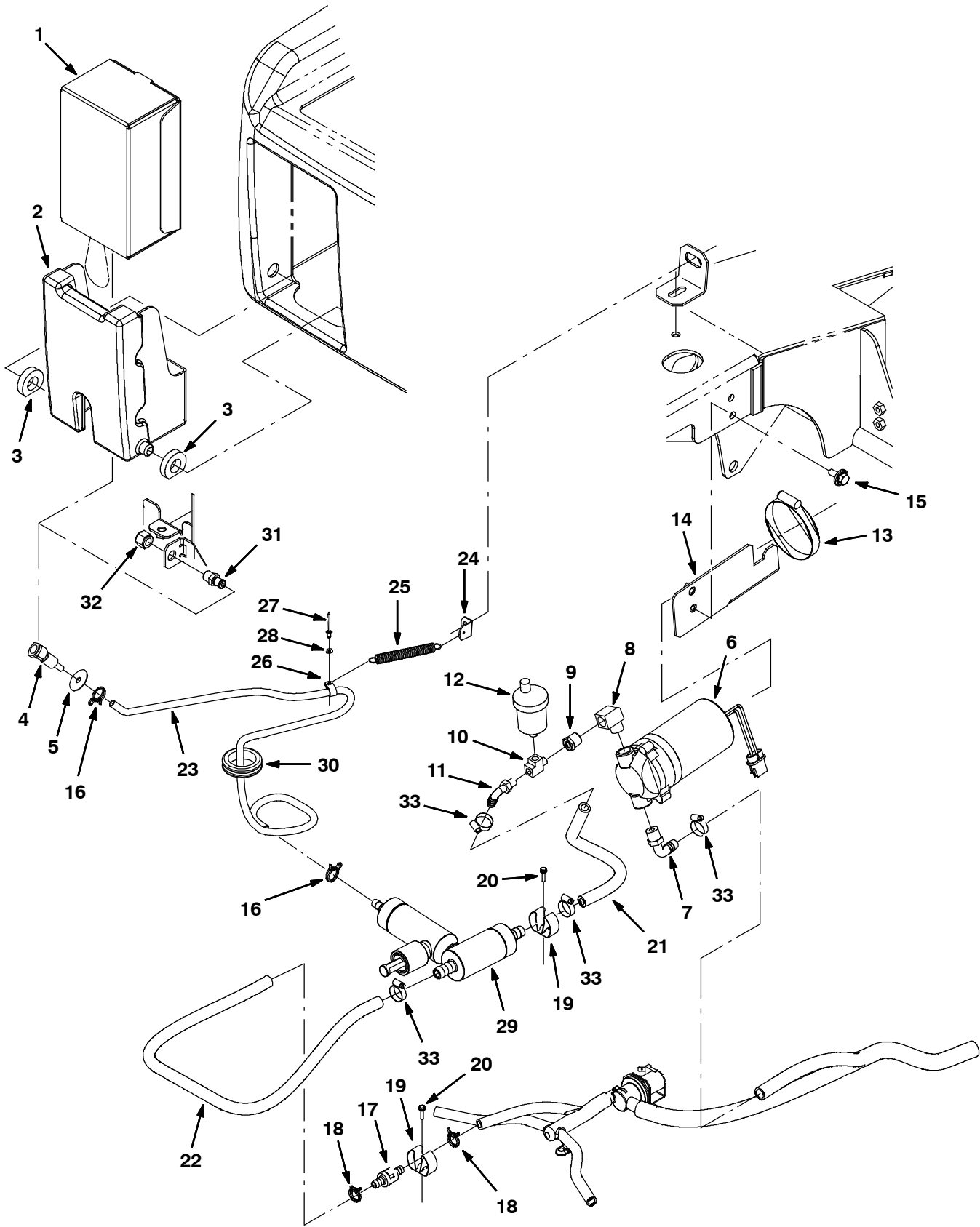


Fig. 1 - FaST Group, Disk Scrub Head

Ref.	Part No.	Description	Qty.	
1	NLA	FaST 365 2 Ltr, Detergent	1	
1	NLA	FaST 665 2 Ltr, Detergent	1	
1	NLA	FaST 965 2 Ltr, Detergent	1	
2	1035037	Box, Holder CI [T7 FaST] (Teal)	1	
3	1016553	Seal, Rbr	2	
4	1002898	Fitting, Plstc, Str, Bm04, Cplg, Fem	1	
5	30013	Washer, Flat, 0.31 Fender	1	
▽	6	1014282	Pump, Soltn, Ele, 24vdc	1
▲		9001240	Pump Kit, Head, Soltn	1
7	64778	Fitting, Plstc, E90, Bm08/Pm06	1	
8	24584	Fitting, Brs, E90, Pm06/Pf06 Special	1	
9	24698	Fitting, Brs, Str, Pf02/Pm06	1	
10	26426	Fitting, Brs, Tee, Pf02/Pm02/Pm02	1	
11	1005564	Fitting, Plstc, E90, Bm06/Pm02, Nyl	1	
12	1017386	Valve, Air Vent, Float Type	1	
13	43555	Clamp, Hose, Wormdrive, 1.62- 3.50d, .56w	1	
14	1014617	Bracket, Pump, Soltn	1	
15	1020341	Screw, Hex, M8 X 1.25 X 20, Ss, Sems	2	
16	613735	Clamp, Hose, Wir, .40 - .42, Yel	2	
17	1015455	Valve, Check, Bm06/Bm06, 5psi	1	
18	607775	Clamp, Hose, Wire, .63 - .66, Blk	2	
19	573073	Clip, Grip, Hose, 1.00- 1.38, Zn	1	
20	1016520	Screw, Hex, M4 X 0.7 16 Fmg, Ss	2	
21	1014974	Hose, Afmkt, Pvc, Brd 0.38id 2ft	1	
22	1006400	Hose, Afmkt, Pvc, Brd 0.38id 3ft	1	
23	1006415	Hose, Afmkt, Pvc, Clr 0.25id 3ft	1	
24	18188	Bracket, Spring	1	
25	1018504	Spring, Extn, 0.50od X 0.04wir, 4.0l	1	
26	26395- 2	Clamp, Cable, Stl, 0.38d X 0.38w, 1h	1	
27	56799	Rivet, Blind, .125d X 0.38 X .25d, Alm	1	
28	02892	Washer, Flat, 0.12b 0.38d .03, Stl, Pl	1	
29	9008885	Fast Kit, Injector, Ci[T7/Ssr/T16 Fast3] (See Breakdown)	1	
30	10632- 13	Grommet, Rbr, 1.50id, F/ 1.8h, .19matl	1	
31	1002899	Fitting, Plstc, Str, Pm04, Cplg, Mal	1	
32	1005435	Fitting, Plstc, Pipe, Cap, Pf04	1	
33	54333	Clamp, Hose, Wormdrive, 0.31- 0.88d, .31w	4	

NLA = No Longer Available

Fig. 2 - FaST Group, Cylindrical Scrub Head

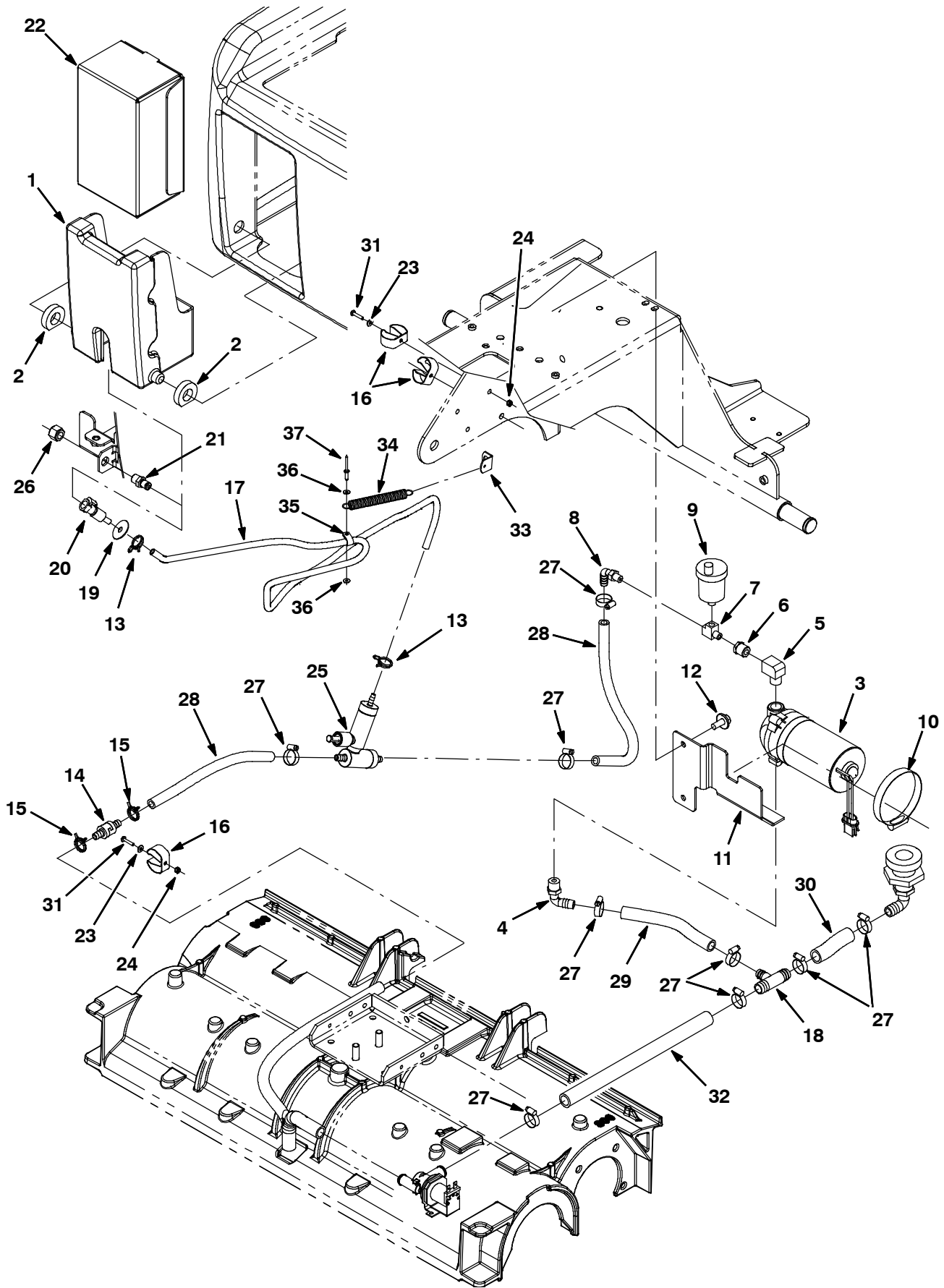


Fig. 2 - FaST Group, Cylindrical Scrub Head

Ref.	Part No.	Description	Qty.	
1	1035037	Box, Holder CI [T7 FaST] (Teal)	1	
2	1016553	Seal, Rbr	2	
▽	3	1014282	Pump, Soltn, Ele, 24vdc	1
▲	9001240	Pump Kit, Head, Soltn	1	
4	64778	Fitting, Plstc, E90, Bm08/Pm06	1	
5	24584	Fitting, Brs, E90, Pm06/Pf06 Special	1	
6	24698	Fitting, Brs, Str, Pf02/Pm06	1	
7	26426	Fitting, Brs, Tee, Pf02/Pm02/Pm02	1	
8	1005564	Fitting, Plstc, E90, Bm06/Pm02, Nyl	1	
9	1017386	Valve, Air Vent, Float Type	1	
10	43555	Clamp, Hose, Wormdrive, 1.62- 3.50d, .56w	1	
11	1029095	Bracket, Pump, Solution	1	
12	1020341	Screw, Hex, M8 X 1.25 X 20, Ss, Sems	2	
13	613735	Clamp, Hose, Wir, .40 - .42, Yel	2	
14	1015455	Valve, Check, 0005psi Bm06/Bm06	1	
15	607775	Clamp, Hose, Wir, .63 - .66, Blk	2	
16	573073	Clip, Grip, Hose, 1.00- 1.38, Zn	3	
17	1014985	Hose, Afmkt, Pvc, Clr 0.25id 08ft	1	
18	1015486	Fitting, Plstc, Tee, Bm08/Bm10/Bm10, Br	1	
19	30013	Washer, Flat, 0.31, Fendr	1	
20	1002898	Fitting, Plstc, Str, Bm04, Cplg, Fem	1	
21	1002899	Fitting, Plstc, Str, Pm04, Cplg, Mal	1	
22	NLA	FaST 365 2 Ltr, Detergent	1	
22	NLA	FaST 665 2 Ltr, Detergent	1	
22	NLA	FaST 965 2 Ltr, Detergent	1	
23	140011	Washer, Flat, 0.21b 0.45d .03, Ss	3	
24	33932	Nut, Hex, Lock, M4 X 0.70, NI, Ss	3	
25	9008885	Fast Kit, Injector, Ci[T7/Ssr/T16 Fast3] (See Breakdown)	1	
26	1005435	Fitting, Plstc, Pipe, Cap, Pf04	1	
27	54333	Clamp, Hose, Wormdrive, 0.31- 0.88d, .31w	9	
28	1014971	Hose, Afmkt, Pvc, Brd, 0.38id, 01ft, Clr	3	
29	1011403	Hose, Afmkt, Pvc, Brd, 0.50id, 01ft, Clr	1	
30	1015033	Hose, Afmkt, Pvc, Brd 0.62id 01ft	1	
31	607006	Screw, Trs, M4 X 0.70 X 12, Phl, PI	3	
32	1015026	Hose, Afmkt, Pvc, Brd 0.62id 03ft	1	
33	18188	Bracket, Spring	1	
34	1018504	Spring, Extn, 0.50od X 0.04wir, 4.0l	1	
35	26395- 2	Clamp, Cable, Stl, 0.38d X 0.38w, 1h	1	
36	02892	Washer, Flat, 0.12b 0.38d .03, Stl, PI	2	
37	1021677	Rivet, Blind, .154d X 0.55 X .38d, Ss	1	

NLA = No Longer Available

Fig. 3 - ec-H2O NanoClean Group, Disc Scrub Head (S/N 30044871-)

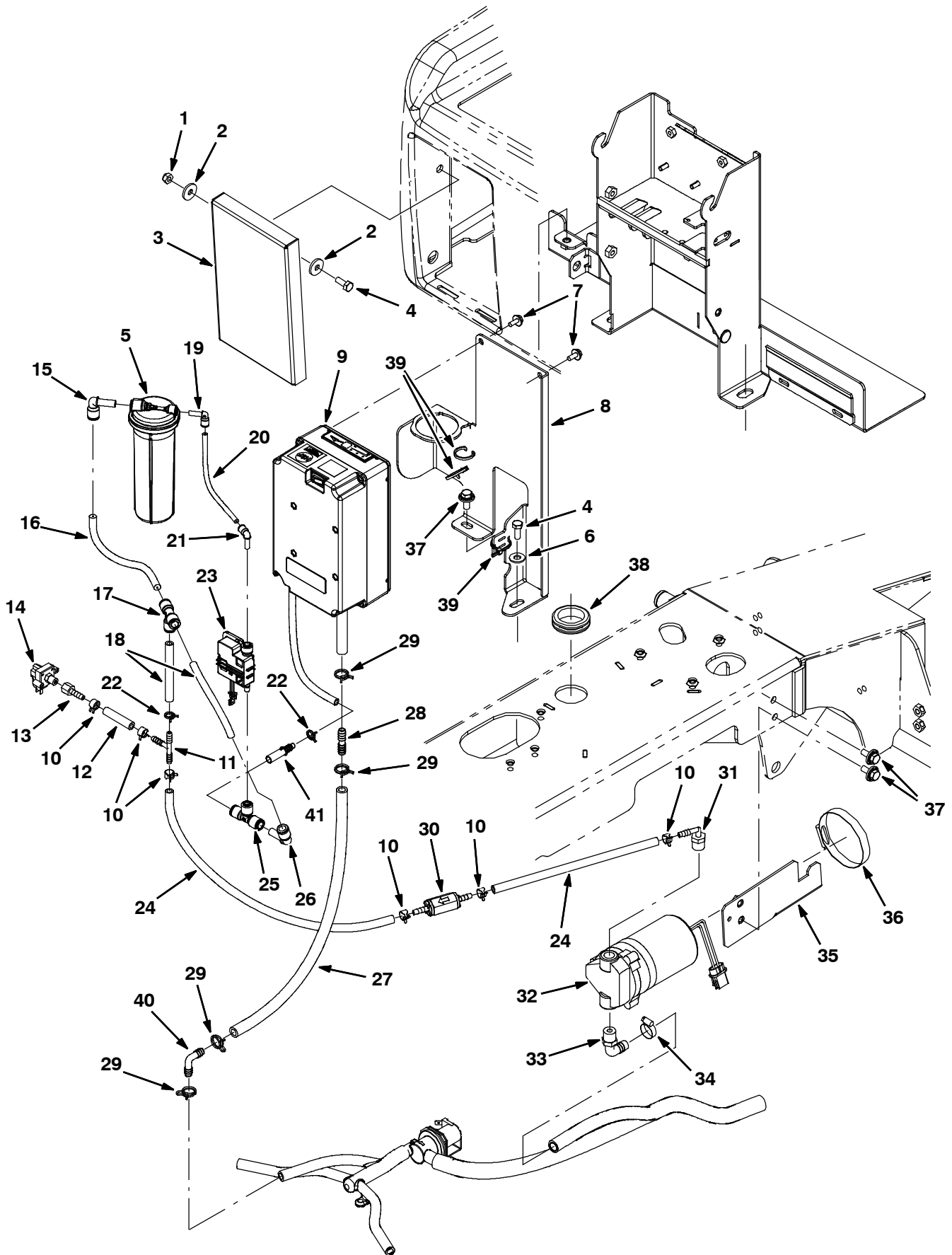


Fig. 3 - ec-H2O NanoClean Group, Disc Scrub Head (S/N 30044871-)

Ref.	Part No.	Description	Qty.	
1	08713	Nut, Hex, Lock, M8 X 1.25, Ni, Ss	2	
2	1017218	Washer, Flat, 0.32b 1.00d .12, Ss	4	
3	1051138	Bracket, Cover, Fast Opng [T7 Ec- H2o]	1	
4	09740	Screw, Hex, M8 X 1.25 X 20, Ss	3	
5	9013646	② Cartridge, Ec- H2o Nanoclean Wcm, 270ml	1	
6	01685	Washer, Flat, 0.38b 0.88d .08, Ss	1	
7	1034731	Screw, Hex, M6 X 1.00 X 16, Ss, Sems	2	
8	1236899	② Bracket, Module, Ec- H20 [T7], [Ch]	1	
9	9020643	④ Module Kit, Replmt [Ec- H2o, B 02] (See Breakdowns)	1	
9	9011810	③ Module Kit, Replmt [Ec- H2o, B 02] (See Breakdowns) (Replaced By 9020643)	1	
10	603654	② Clamp, Hose, Ear, .44d [Ctb]	6	
11	150713	Fitting, Plstc, Tee, Bm04/Bm04/Bm04	1	
12	575523000	Hose, Pvc, Brd, 0.25id 0.44od 043.5l,Clr	1	
13	150520	Fitting, Brs, Str, Bm04/Pf02	1	
14	1044415	Switch, Press, 20psi, Pm02	1	
15	1215186	② Fitting, Plstc, E90, Qf06/Qm06	1	
16	9014146	② Hose, Afmkt, Pvc, 0.06id .38od, 05ft	1	
17	1229085	② Fitting, Plstc, Tee, Qf06/Qf06/Qf06,[Ch]	1	
18	1014987	② Hose, Afmkt, Pvc, Clr, 0.25id, 01ft	1	
19	1229145	② Fitting, Plstc, E90, Qfo4/Qm04, [Ch]	1	
20	9014147	② Hose, Afmkt, Pvc, 0.06id .25od, 05ft	1	
21	1229145	② Fitting, Plstc, E90, Qfo4/Qm04, [Ch]	1	
22	613735	Clamp, Hose, Wir, .40 - .42, Yel	2	
23	1216973	② Pump Assy, Dispenser	1	
24	9014210	② Hose, Afmkt, Pvc, Brd .25id .44od, 05ft	1	
25	1229142	② Fitting, Plstc, Tee, Qf04/Qf06/Qf06, [Ch]	1	
26	1215186	② Fitting, Plstc, E90, Qf06/Qm06	1	
27	1006400	② Hose, Afmkt, Pvc, Brd, 0.38id, 03ft, Clr	1	
28	20950	② Fitting, Plstc, Str, Bm06/Bm06	1	
29	607775	② Clamp, Hose, Wir, .63 - .66, Blk	4	
30	1216879	② Valve, Check, 0005psi Bm04/Bm04	1	
31	150417	② Fitting, Plstc, E90, Bm04/Pm06	1	
▽	32	1042495	Pump, Soltn, Ele, 24vdc, 35psi	1
▲		9004759	Pump Kit, Head, Soltn [Ec- H2o]	1
▲		78950	Connector, Fem, 2cav, Mp280 Sealed	1
▲		78951	Terminal, Fem, Mp280, Sealed, 18- 16ga	1
▲		10917	Seal, Wire, 14/16ga [Wp / Mp280 Sealed]37	1
▲		78952	Lock, Secondary, 2cav, Mp280 Sealed	1
33	64778	Fitting, Plstc, E90, Bm08/Pm06	1	
34	54333	Clamp, Hose, Wormdrive, 0.31- 0.88d, .31w	1	
35	1014617	Bracket, Pump, Soltn	1	
36	43555	Clamp, Hose, Wormdrive, 2.50- 3.50d, .50w	1	
37	1020341	Screw, Hex, M8 X 1.25 X 20, Ss, Sems	3	
38	10632- 13	Grommet, Rbr, 1.50id, F/1.8h, .19 Matl	1	
39	130773	② Tie, Cable, Nyl, 11.0l, .14w, 3.0 Max. D	3	
40	20951	Fitting, Plstc, E90, Bm06/Bm06	1	
41	1212857	Fitting, Plstc, Str, Qm06/Bm04	1	

② Serial number (30044871-)

③ Serial number (30044871- DEC2021)

④ Serial number (JAN2022-)

Fig. 4 - ec-H2O Group, Disc Scrub Head (S/N 30000000-30044870)

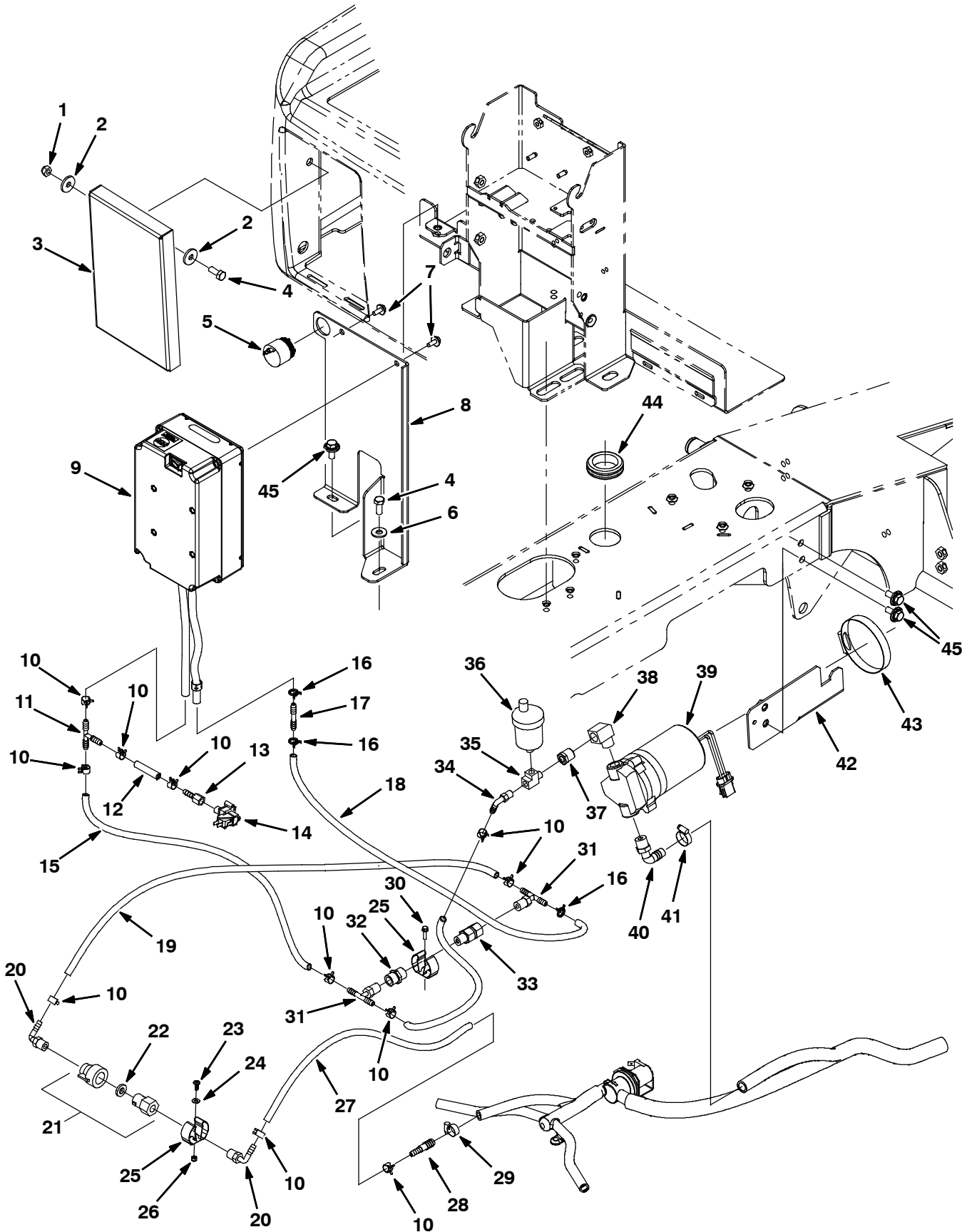


Fig. 4 - ec-H2O Group, Disc Scrub Head (S/N 30000000-30044870)

Ref.	Part No.	Description	Qty.	
1	08713	Nut, Hex, Lock, M8 X 1.25, NI, Ss	2	
2	1017218	Washer, Flat, 0.32b 1.00d .12, Ss	4	
3	1051138	Bracket, Cover, Fast Opng [T7 Ec- H2o]	1	
4	09740	Screw, Hex, M8 X 1.25 X 20, Ss	3	
5	1052726	1 Alarm, 9- 48vdc, 95 Db(A) [Ec- H20]	1	
6	01685	Washer, Flat, 0.38b 0.88d .08, Ss	1	
7	1034731	Screw, Hex, M6 X 1.00 X 16, Ss, Sems	2	
8	1050052	1 Bracket, Module, Ec- H2o [T7]	1	
9	9007970	1 Module Kit, Replmt [Ec- H2o] (See Breakdown)	1	
10	603654	Clamp, Hose, Ear, .44d [Ctb]	11	
11	150713	Fitting, Plstc, Tee, Bm04/Bm04/Bm04	1	
12	575523000	Hose, Pvc, Brd, 0.25id 0.44od 043.5l,Clr	1	
13	150520	Fitting, Brs, Str, Bm04/Pf02	1	
14	1044415	Switch, Press, 20psi, Pm02	1	
15	575523000	Hose, Pvc, Brd, 0.25id 0.44od 043.5l,Clr	1	
16	613735	Clamp, Hose, Wir, .40 - .42, Yel	3	
17	1052705	1 Fitting, Plstc, Str, Bm04/Bm04	1	
18	1006415	Hose, Afmkt, Pvc, Clr, 0.25id, 03ft	1	
19	575523000	Hose, Pvc, Brd, 0.25id 0.44od 043.5l,Clr	1	
20	1011170	1 Fitting, Plstc, E90, Bm04/Pm04, Nyl	2	
▽	21	1043866	1 Fitting Assy, Qdc, Pf04	1
▲	22	1047655	1 Washer, Flat, 0.40b 0.75d .12 [Viton]	1
	23	607006	Screw, Trs, M4 X 0.70 X 12, Phl, Pl	1
	24	140011	Washer, Flat, 0.21b 0.45d .03, Ss	1
	25	1014295	Clip, Grip, Hose, 0.75- 1.12, Stl,Blk Vyl	2
	26	33932	Nut, Hex, Lock, M4 X 0.70, NI, Ss	1
	27	575523000	Hose, Pvc, Brd, 0.25id 0.44od 043.5l,Clr	1
	28	1039557	1 Fitting, Plstc, Str, Bm04/Bm06	1
	29	43844	Clamp, Hose, Wormdrive, 0.25- 0.62d, .31w	1
	30	1016520	Screw, Hex, M4 X 0.70 X 16, Fmg, Ss	1
	31	607306	1 Fitting, Plstc, Tee, Bm04/Bm04/Pm04, Br	2
	32	150302	1 Fitting, Brs, Str, Pf04/Pf04	1
	33	1044790	1 Valve, Check, 0025psi Pm04/Pf04	1
	34	1037595	Fitting, Plstc, E90, Bm04/Pm02, Nyl	1
	35	26426	Fitting, Brs, Tee, Pf02/Pf02/Pm02, Run	1
	36	1017386	1 Valve, Vent, Air, Float Type	1
	37	24698	Fitting, Brs, Str, Pf02/Pm06	1
	38	24584	Fitting, Brs, E90, Pf06/Pm06, Spcl	1
▽	39	1042495	Pump, Soltn, Ele, 24vdc, 35psi	1
▲		9004759	Pump Kit, Head, Soltn [Ec- H2o]	1
▲		78950	Connector, Fem, 2cav, Mp280 Sealed	1
▲		78951	Terminal, Fem, Mp280, Sealed, 18- 16ga	1
▲		10917	Seal, Wire, 14/16ga [Wp / Mp280 Sealed]	1
▲		78952	Lock, Secondary, 2cav, Mp280 Sealed	1
	40	64778	Fitting, Plstc, E90, Bm08/Pm06	1
	41	54333	Clamp, Hose, Wormdrive, 0.31- 0.88d, .31w	1
	42	1014617	Bracket, Pump, Soltn	1
	43	43555	Clamp, Hose, Wormdrive, 2.50- 3.50d, .50w	1
	44	10632- 13	Grommet, Rbr, 1.50id, F/1.8h, .19 Matl	1
	45	1020341	Screw, Hex, M8 X 1.25 X 20, Ss, Sems	3

1 Serial number (30000000- 30044870)

Fig. 5 - *ec-H2O* NanoClean Group, Cylindrical Scrub Head (S/N 30044871-)

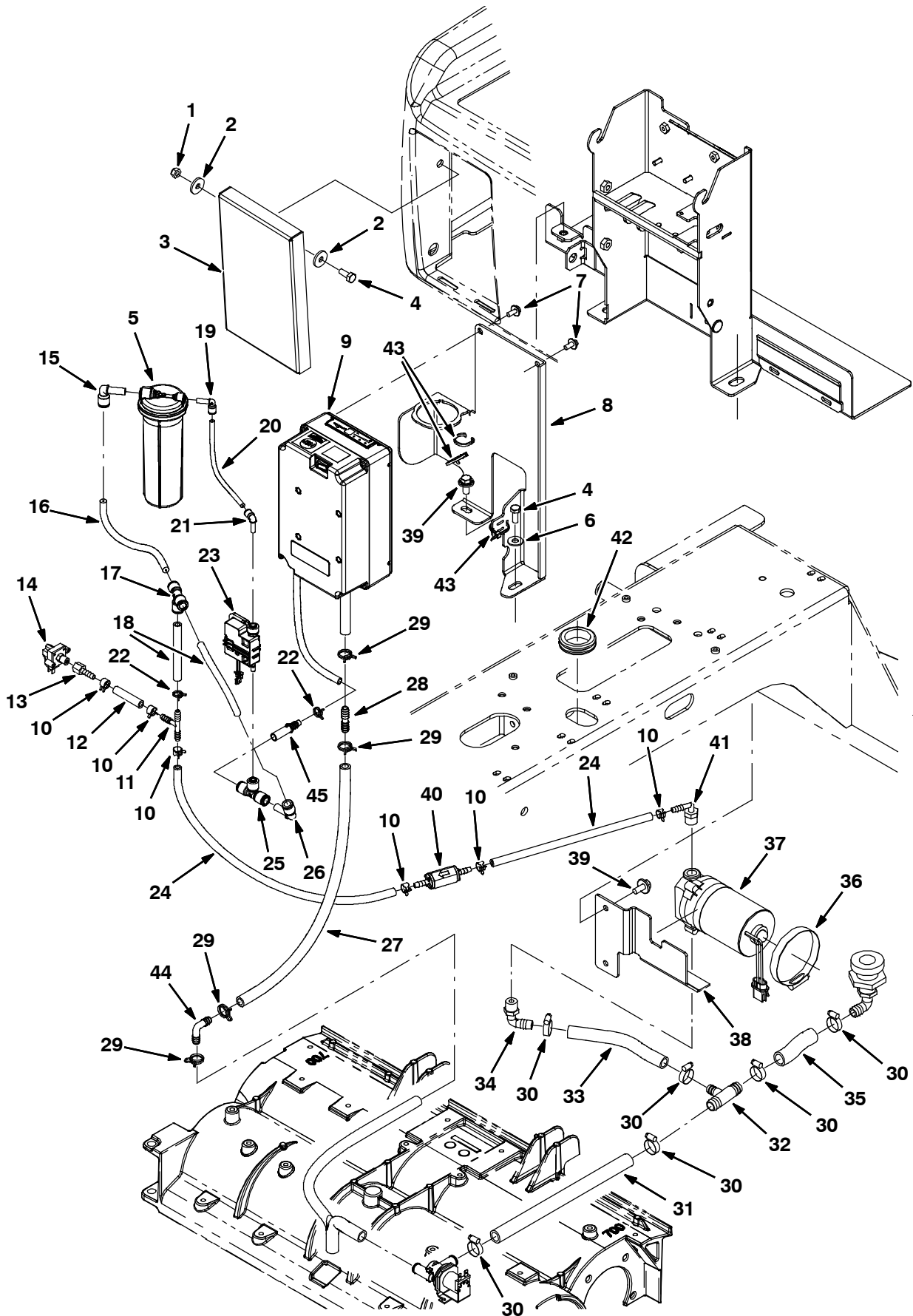


Fig. 5 - ec-H2O NanoClean Group, Cylindrical Scrub Head (S/N 30044871-)

Ref.	Part No.	Description	Qty.	
1	08713	Nut, Hex, Lock, M8 X 1.25, Ni, Ss	2	
2	1017218	Washer, Flat, 0.32b 1.00d .12, Ss	4	
3	1051138	Bracket, Cover, Fast Opng [T7 Ec- H2o]	1	
4	09740	Screw, Hex, M8 X 1.25 X 20, Ss	3	
5	9013646	② Cartridge, Ec- H2o Nanoclean Wcm, 270ml	1	
6	01685	Washer, Flat, 0.38b 0.88d .08, Ss	1	
7	1034731	Screw, Hex, M6 X 1.00 X 16, Ss, Sems	2	
8	1236899	② Bracket, Module, Ec- H20 [T7], [Ch]	1	
9	9020643	④ Module Kit, Replmt [Ec- H2o, B 02] (See Breakdowns)	1	
9	9011810	③ Module Kit, Replmt [Ec- H2o, B 02] (See Breakdowns) (Replaced By 9020643)	1	
10	603654	② Clamp, Hose, Ear, .44d [Ctb]	5	
11	150713	Fitting, Plstc, Tee, Bm04/Bm04/Bm04	1	
12	575523000	Hose, Pvc, Brd, 0.25id 0.44od 043.5l,Clr	1	
13	150520	Fitting, Brs, Str, Bm04/Pf02	1	
14	1044415	Switch, Press, 20psi, Pm02	1	
15	1215186	② Fitting, Plstc, E90, Qf06/Qm06	1	
16	9014146	② Hose, Afmkt, Pvc, 0.06id .38od, 05ft	1	
17	1229085	② Fitting, Plstc, Tee, Qf06/Qf06/Qf06,[Ch]	1	
18	1014987	② Hose, Afmkt, Pvc, Clr, 0.25id, 01ft	1	
19	1229145	② Fitting, Plstc, E90, Qfo4/Qm04, [Ch]	1	
20	9014147	② Hose, Afmkt, Pvc, 0.06id .25od, 05ft	1	
21	1229145	② Fitting, Plstc, E90, Qfo4/Qm04, [Ch]	1	
22	613735	Clamp, Hose, Wir, .40 - .42, Yel	2	
23	1216973	② Pump Assy, Dispenser	1	
24	9014210	② Hose , Afmkt, Pvc, Brd .25id .44od, 05ft	1	
25	1229142	② Fitting, Plstc, Tee, Qf04/Qf06/Qf06, [Ch]	1	
26	1215186	② Fitting, Plstc, E90, Qf06/Qm06	1	
27	1006400	② Hose, Afmkt, Pvc, Brd, 0.38id, 03ft, Clr	1	
28	20950	② Fitting, Plstc, Str, Bm06/Bm06	1	
29	607775	② Clamp, Hose, Wir, .63 - .66, Blk	4	
30	54333	Clamp, Hose, Wormdrive, 0.31- 0.88d, .31w	6	
31	1015026	Hose, Afmkt, Pvc, Brd, 0.62id, 03ft, Clr	1	
32	1015486	Fitting, Plstc, Tee, Bm08/Bm10/Bm10, Br	1	
33	1031304	Hose, Pump (376716)	1	
34	64778	Fitting, Plstc, E90, Bm08/Pm06	1	
35	1031738	Hose, Pvc, Brd, 0.62id 0.88od [C460117]	1	
36	43555	Clamp, Hose, Wormdrive, 2.50- 3.50d, .50w	1	
▽	37	1042495	Pump, Soltn, Ele, 24vdc, 35psi	1
▲		9004759	Pump Kit, Head, Soltn [Ec- H2o]	1
▲		78950	Connector, Fem, 2cav, Mp280 Sealed	1
▲		78951	Terminal, Fem, Mp280, Sealed, 18- 16ga	1
▲		10917	Seal, Wire, 14/16ga [Wp / Mp280 Sealed]	1
▲		78952	Lock, Secondary, 2cav, Mp280 Sealed	1
	38	1029095	Bracket, Pump, Soltn	1
	39	1020341	Screw, Hex, M8 X 1.25 X 20, Ss, Sems	3
	40	1216879	② Valve, Check, 0005psi Bm04/Bm04	1
	41	150417	② Fitting, Plstc, E90, Bm04/Pm06	1
	42	10632- 13	Grommet, Rbr, 1.50id, F/1.8h, .19 Matl	1
	43	130773	② Tie, Cable, Nyl, 11.0l, .14w, 3.0 Max. D	3
	44	20951	③ Fitting, Plstc, E90, Bm06/Bm06	1
	45	1212857	Fitting, Plstc, Str, Qm06/Bm04	1

② Serial number (30044871-)

③ Serial number (30044871- DEC2021)

④ Serial number (JAN2022-)

Fig. 6 - ec-H2O Group, Cylindrical Scrub Head (S/N 3000000-30044870)

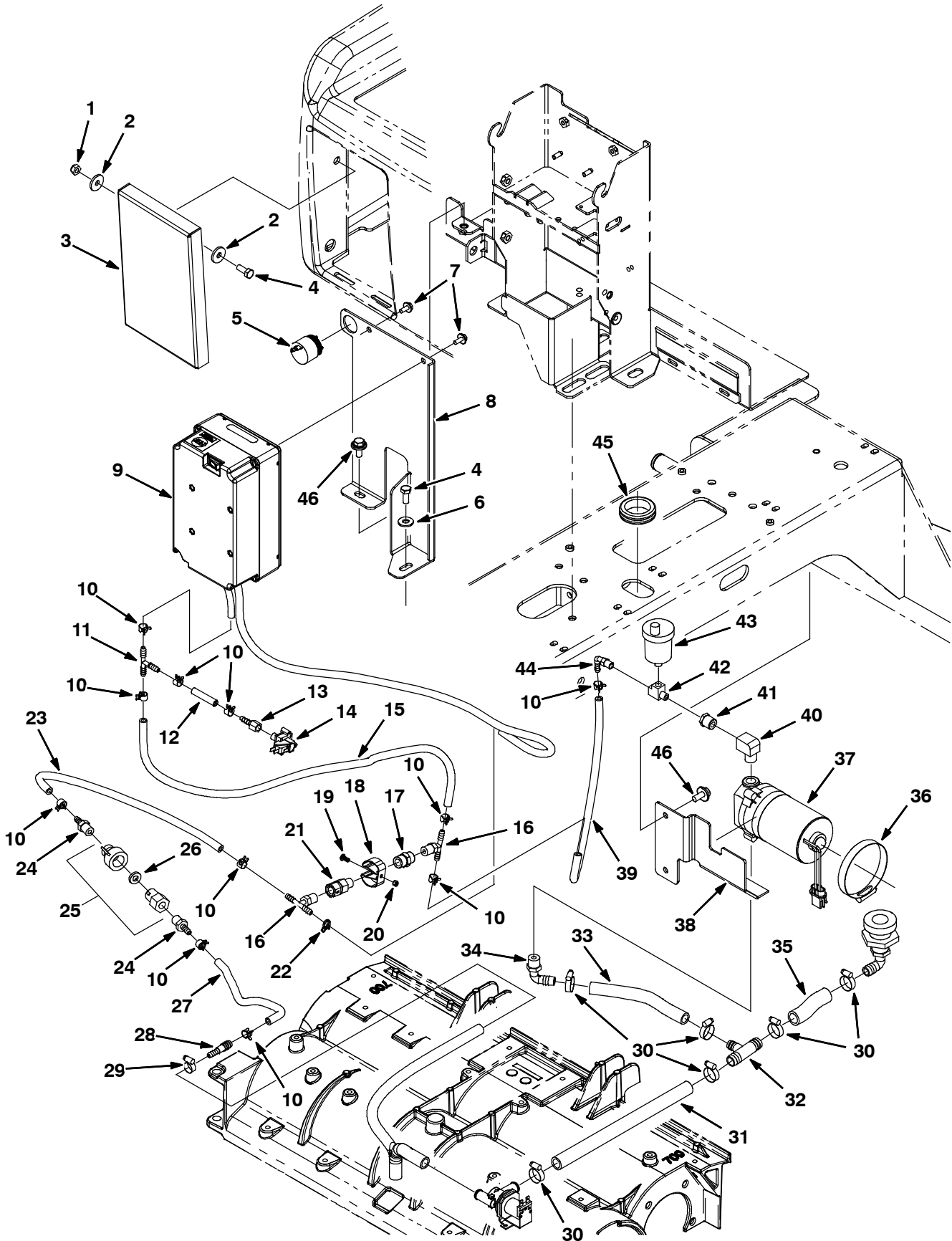
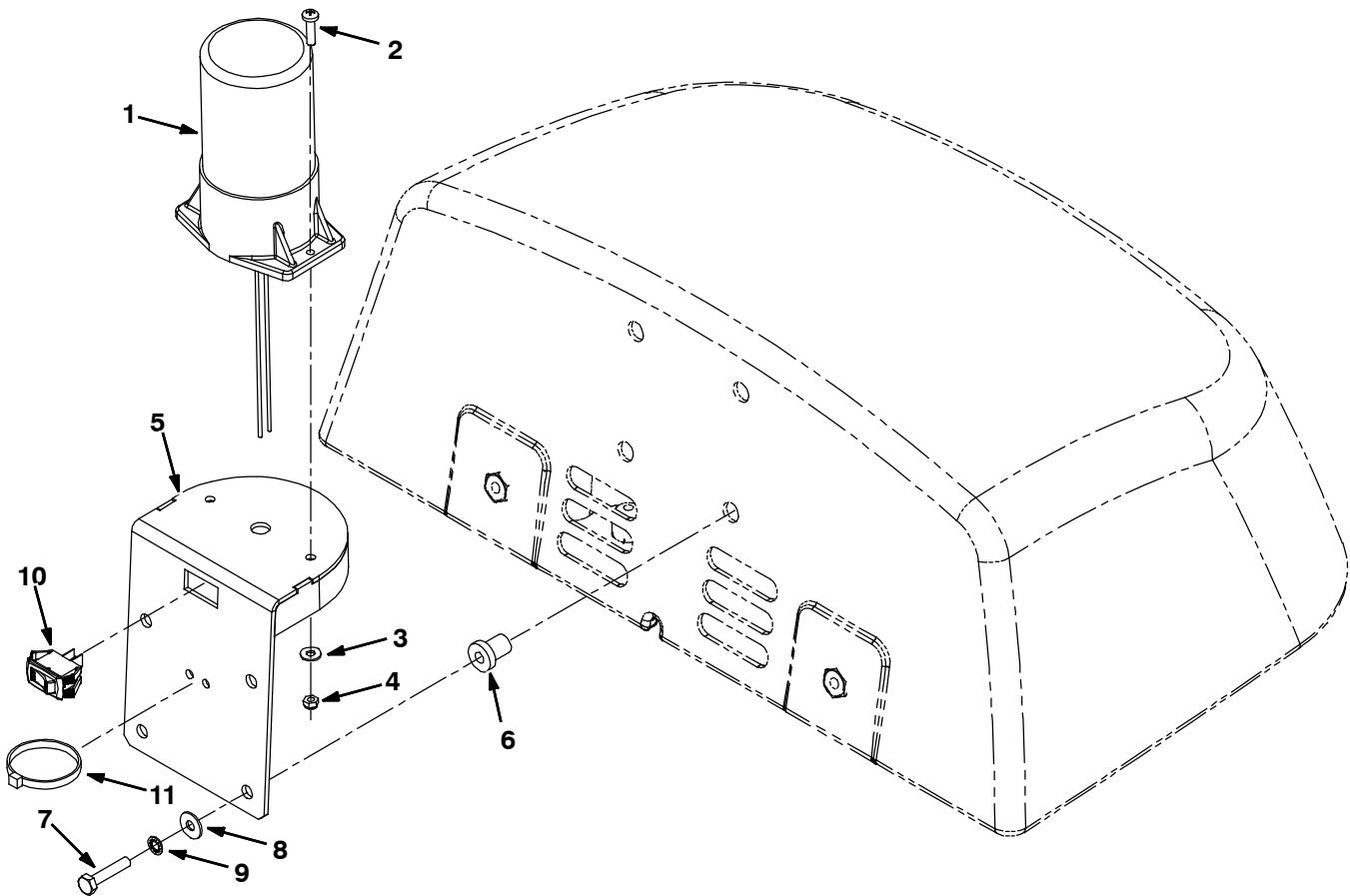


Fig. 6 - ec-H2O Group, Cylindrical Scrub Head (S/N 30000000-30044870)

Ref.	Part No.	Description	Qty.
1	08713	Nut, Hex, Lock, M8 X 1.25, NI, Ss	2
2	1017218	Washer, Flat, 0.32b 1.00d .12, Ss	4
3	1051138	Bracket, Cover, Fast Opng [T7 Ec- H2o]	1
4	09740	Screw, Hex, M8 X 1.25 X 20, Ss	3
5	1052726	[1] Alarm, 9- 48vdc, 95 Db(A) [Ec- H20]	1
6	01685	Washer, Flat, 0.38b 0.88d .08, Ss	1
7	1034731	Screw, Hex, M6 X 1.00 X 16, Ss, Sems	2
8	1050052	[1] Bracket, Module, Ec- H2o [T7]	1
9	9007970	[1] Module Kit, Replmt [Ec- H2o] (See Breakdown)	1
10	603654	Clamp, Hose, Ear, .44d [Ctb]	11
11	150713	Fitting, Plstc, Tee, Bm04/Bm04/Bm04	1
12	575523000	Hose, Pvc, Brd, 0.25id 0.44od 043.5l,Clr	1
13	150520	Fitting, Brs, Str, Bm04/Pf02	1
14	1044415	Switch, Press, 20psi, Pm02	1
15	575523000	Hose, Pvc, Brd, 0.25id 0.44od 043.5l,Clr	1
16	607306	[1] Fitting, Plstc, Tee, Bm04/Bm04/Pm04, Br	2
17	150302	[1] Fitting, Brs, Str, Pf04/Pf04	1
18	1014295	Clip, Grip, Hose, 0.75- 1.12, Stl,Blk Vyl	1
19	607006	Screw, Trs, M4 X 0.70 X 12, Phl, Pl	1
20	33932	Nut, Hex, Lock, M4 X 0.70, NI, Ss	1
21	1044790	[1] Valve, Check, 0025psi Pm04/Pf04	1
22	613735	Clamp, Hose, Wir, .40 - .42, Yel	1
23	575523000	Hose, Pvc, Brd, 0.25id 0.44od 043.5l,Clr	1
24	50901	[1] Fitting, Plstc, Str, Bm04/Pm04	2
▽	25	1043866 [1] Fitting Assy, Qdc, Pf04	1
▲	26	1047655 [1] Washer, Flat, 0.40b 0.75d .12 [Viton]	1
27	575523000	Hose, Pvc, Brd, 0.25id 0.44od 043.5l,Clr	1
28	1039557	[1] Fitting, Plstc, Str, Bm04/Bm06	1
29	43844	Clamp, Hose, Wormdrive, 0.25- 0.62d, .31w	1
30	54333	Clamp, Hose, Wormdrive, 0.31- 0.88d, .31w	6
31	1015026	Hose, Afrmkt, Pvc, Brd, 0.62id, 03ft, Clr	1
32	1015486	[1] Fitting, Plstc, Tee, Bm08/Bm10/Bm10, Br	1
33	1031304	Hose, Pump (376716)	1
34	64778	Fitting, Plstc, E90, Bm08/Pm06	1
35	1031738	Hose, Pvc, Brd, 0.62id 0.88od [C460117]	1
36	43555	Clamp, Hose, Wormdrive, 2.50- 3.50d, .50w	1
▽	37	1042495 Pump, Soltn, Ele, 24vdc, 35psi	1
▲		9004759 Pump Kit, Head, Soltn [Ec- H2o]	1
▲		78950 Connector, Fem, 2cav, Mp280 Sealed	1
▲		78951 Terminal, Fem, Mp280, Sealed, 18- 16ga	1
▲		10917 Seal, Wire, 14/16ga [Wp / Mp280 Sealed]	1
▲		78952 Lock, Secondary, 2cav, Mp280 Sealed	1
38	1029095	Bracket, Pump, Soltn	1
39	575523000	Hose, Pvc, Brd, 0.25id 0.44od 043.5l,Clr	1
40	24584	[1] Fitting, Brs, E90, Pf06/Pm06, Spcl	1
41	24698	[1] Fitting, Brs, Str, Pf02/Pm06	1
42	26426	[1] Fitting, Brs, Tee, Pf02/Pf02/Pm02, Run	1
43	1017386	[1] Valve, Vent, Air, Float Type	1
44	1037595	[1] Fitting, Plstc, E90, Bm04/Pm02, Nyl	1
45	10632- 13	Grommet, Rbr, 1.50id, F/1.8h, .19 Matl	1
46	1020341	Screw, Hex, M8 X 1.25 X 20, Ss, Sems	3

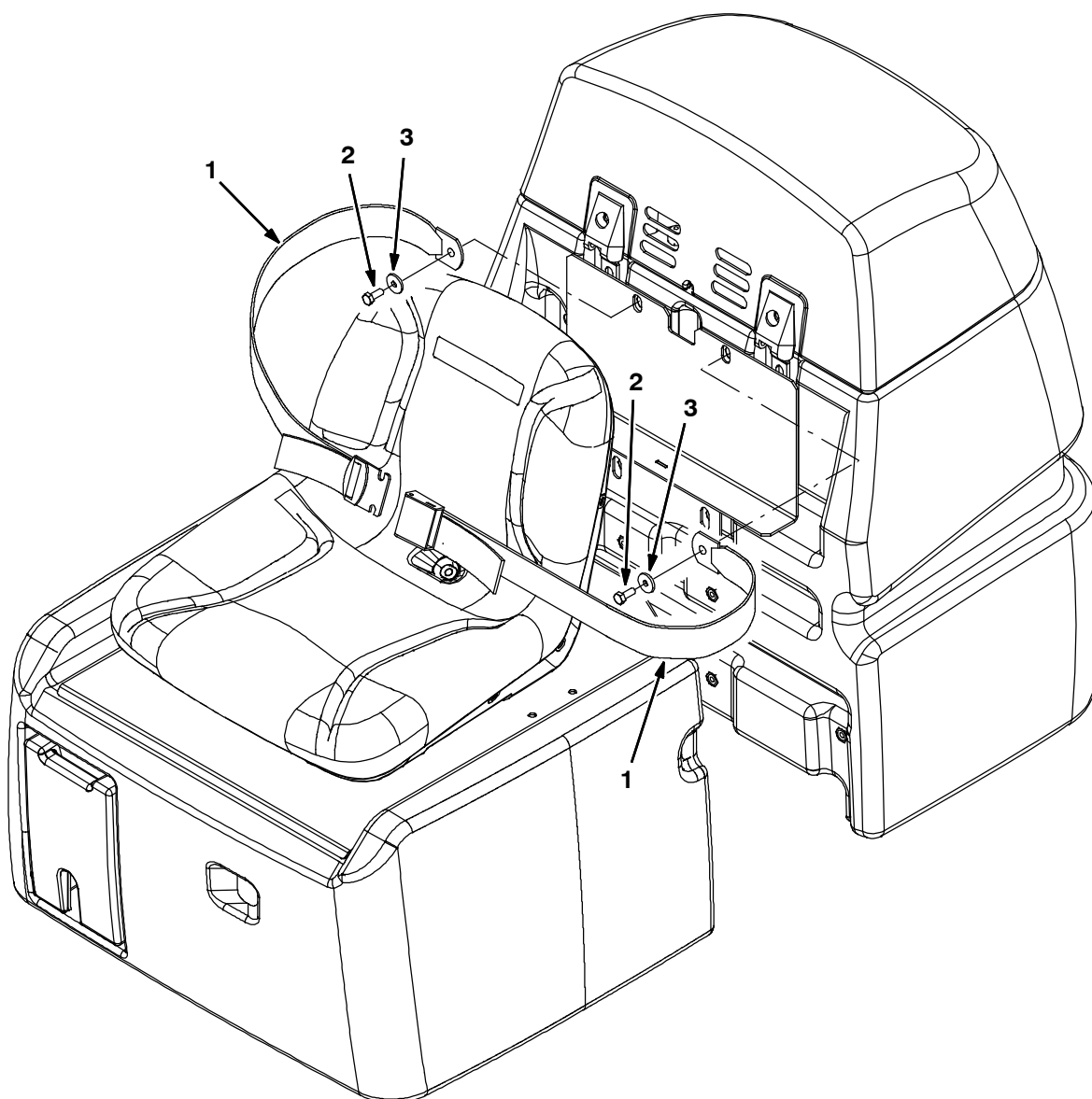
[1] Serial number (30000000- 30044870)

Fig. 7 - Flashing Light Kit



Ref.	Part No.	Description	Qty.
▽	9000581	Light Kit, Flsh, Ci [T7/Ssr]	1
▲	1 1014564	Lamp, Strobe, 12- 80Vdc, 4Watt	1
▲	2 24196	Screw, Pan, M5 X 0.8 X 20, Ss	2
▲	3 01683	Washer, Flat, #10 Ss	2
▲	4 09739	Nut, Hex, Lock, M5 X 0.8, NI, Ss	2
▲	5 1014527	Bracket Wldt, Light, Flsh	1
▲	6 61913	Nut, Isolator, .25- 20 Wall Thk .031- .187	4
▲	7 01699	Screw, Hex, .25- 20 X 1.25, Ss	4
▲	8 01684	Washer, Flat, 0.25 Ss	4
▲	9 07515	Washer, Lock, Int, .25, Ss	4
▲	10 130717	Switch, Rocker, 250vac 15a Spst On/Off	1
▲	11 130040	Tie, Cable, Nyl, 06.0L .12W	1

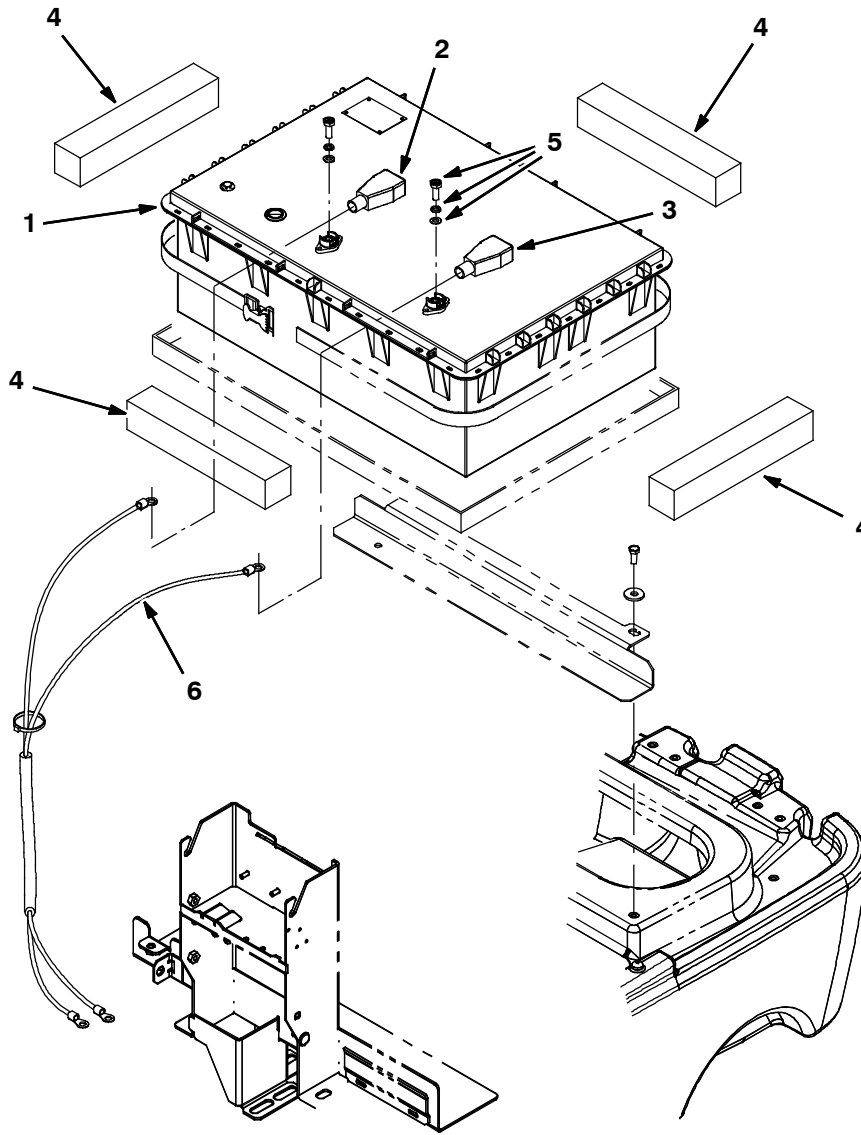
Fig. 8 - Seatbelt Kit



355719

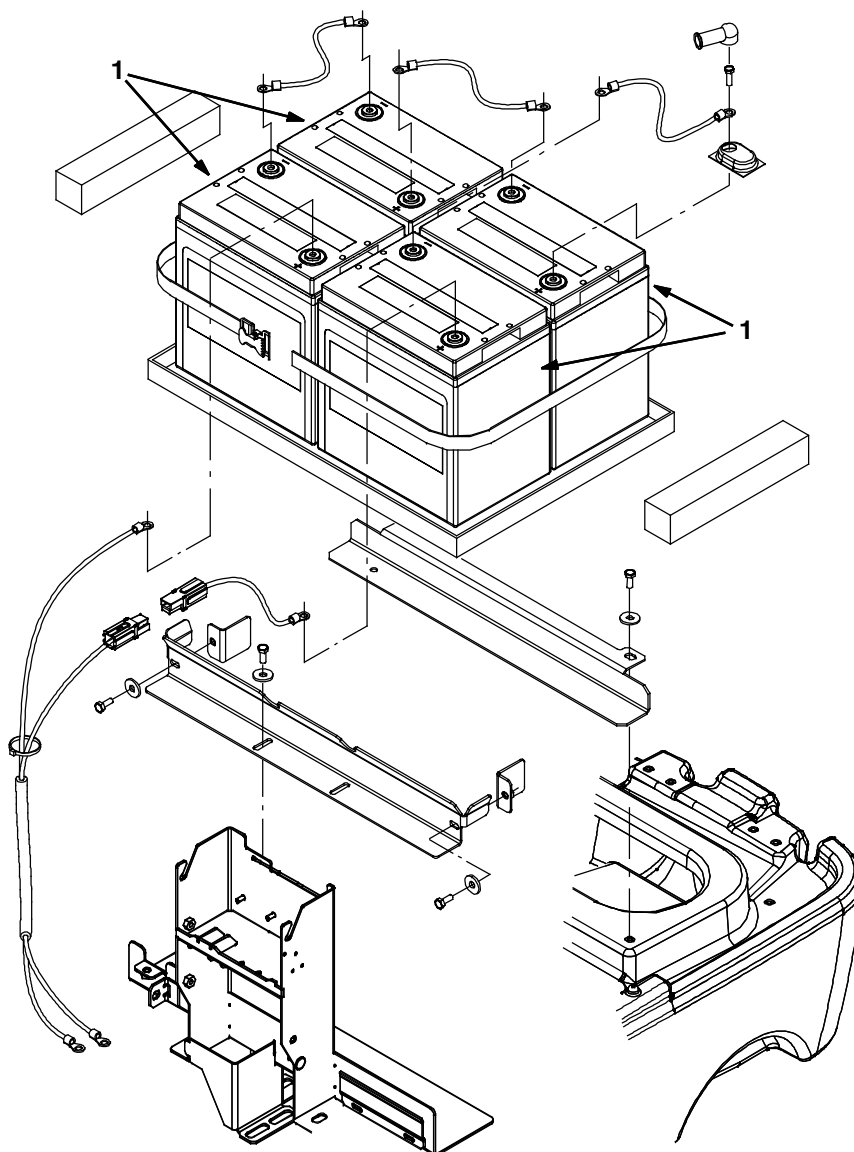
Ref.	Part No.	Description	Qty.
▽	9018668	Seatbelt Kit, Ci [T7/Ssr/R14/Striverider]	1
▲	1 30533	Seatbelt, 60.0l, Orange	1
	2 09740	Screw, Hex, M8 X 1.25 X 20, Ss	2
	3 1017218	Washer, Flat, 0.32b 1.00d .12, Ss	2

Fig. 9 - Battery Group, 160Ah, Lithium-Ion (China)



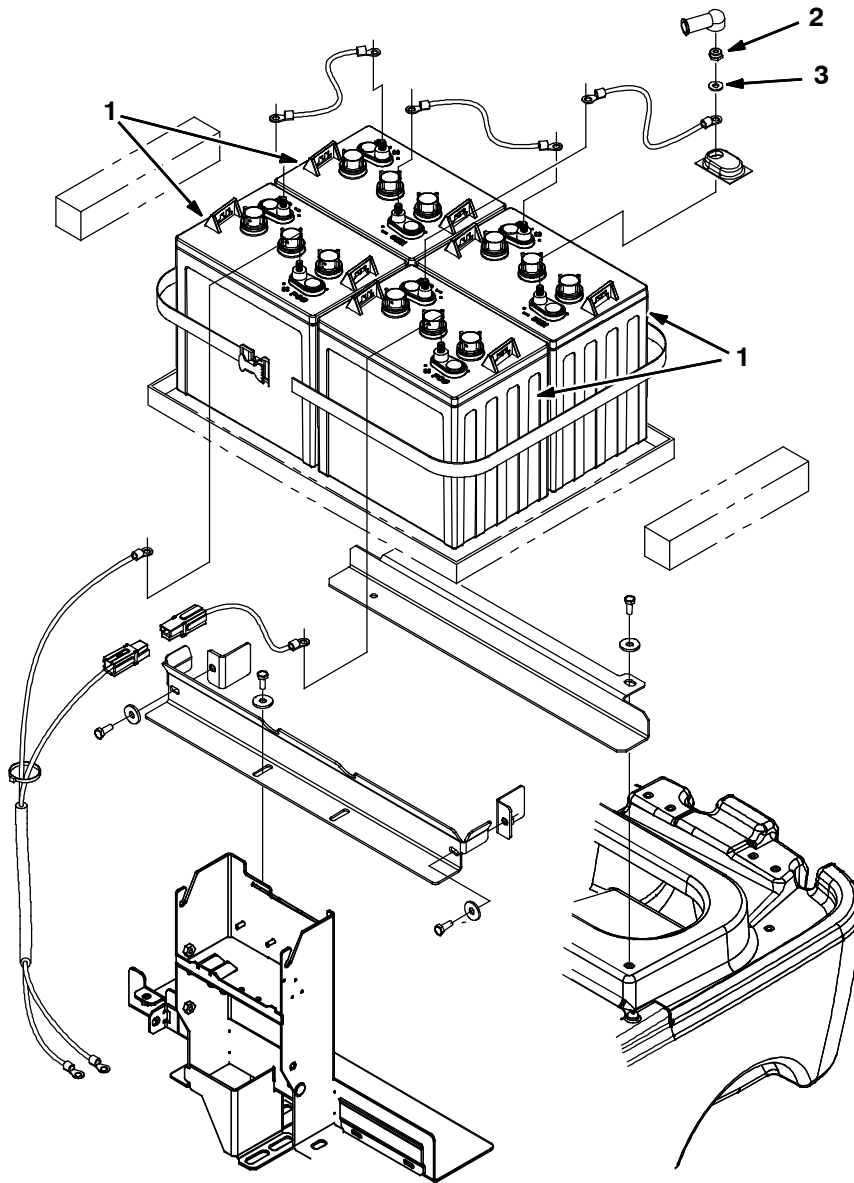
Ref.	Part No.	Description	Qty.
1	1248832	Battery, Lithium Ion, 24vdc 0160ah	1
2	68872	Boot, Terminal, Battery, 02- 01ga, Blk	1
3	68873	Boot, Terminal, Battery, 02- 01ga, Red	1
4	630375	Spacer, Battery, Foam, 1.25 X 3.3 X 13.7	4
5	9020683	Screw, Hex, M8 X 1.25 X 16 (Kit Includes Bolt, Flat Washer & Lock Washer)	2
6	1248892	Cable, 04ga 30.0l Red .31ring[T7]	1

Fig. 10 - Battery Group, 260Ah, AGM (China)



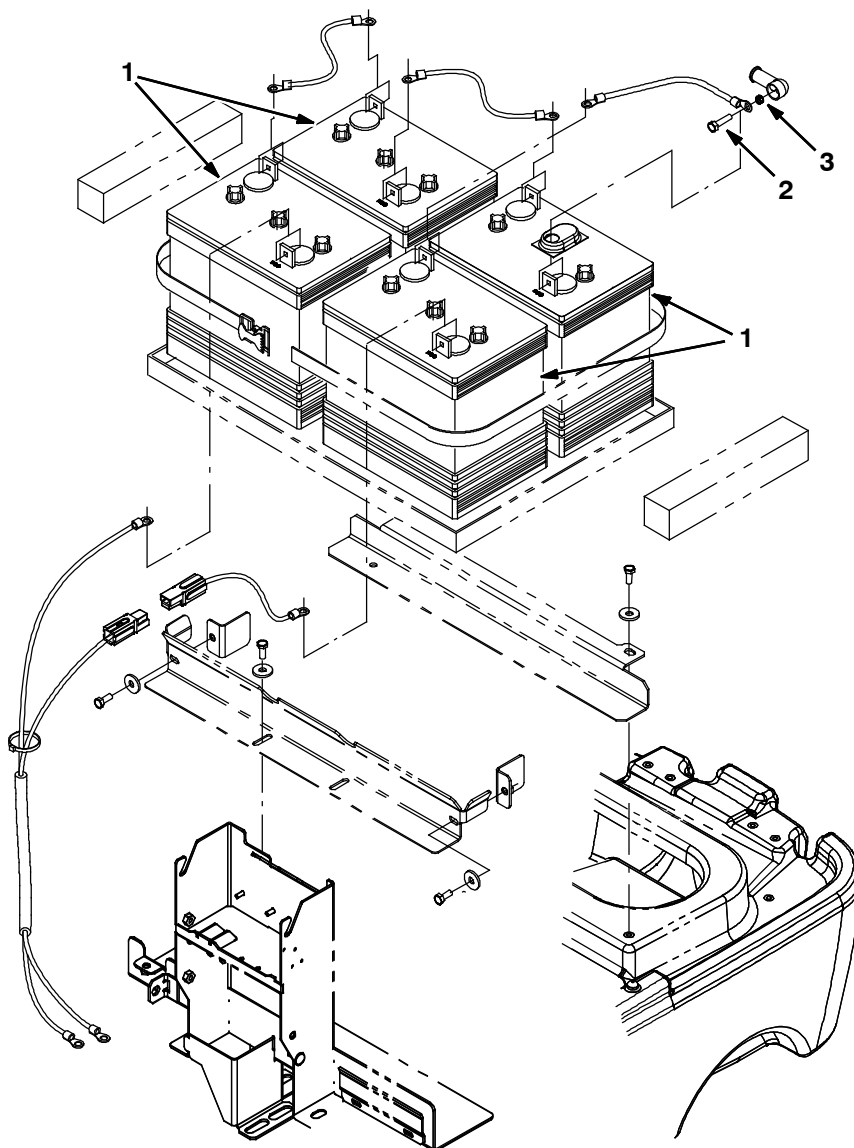
Ref.	Part No.	Description	Qty.
1	1251239	Battery, Agm, 06vdc 0260ah, Cn (Includes Qty 2 M8 Hex Screws per Battery)	4

Fig. 11 - Battery Group, 260Ah, Wet (China)



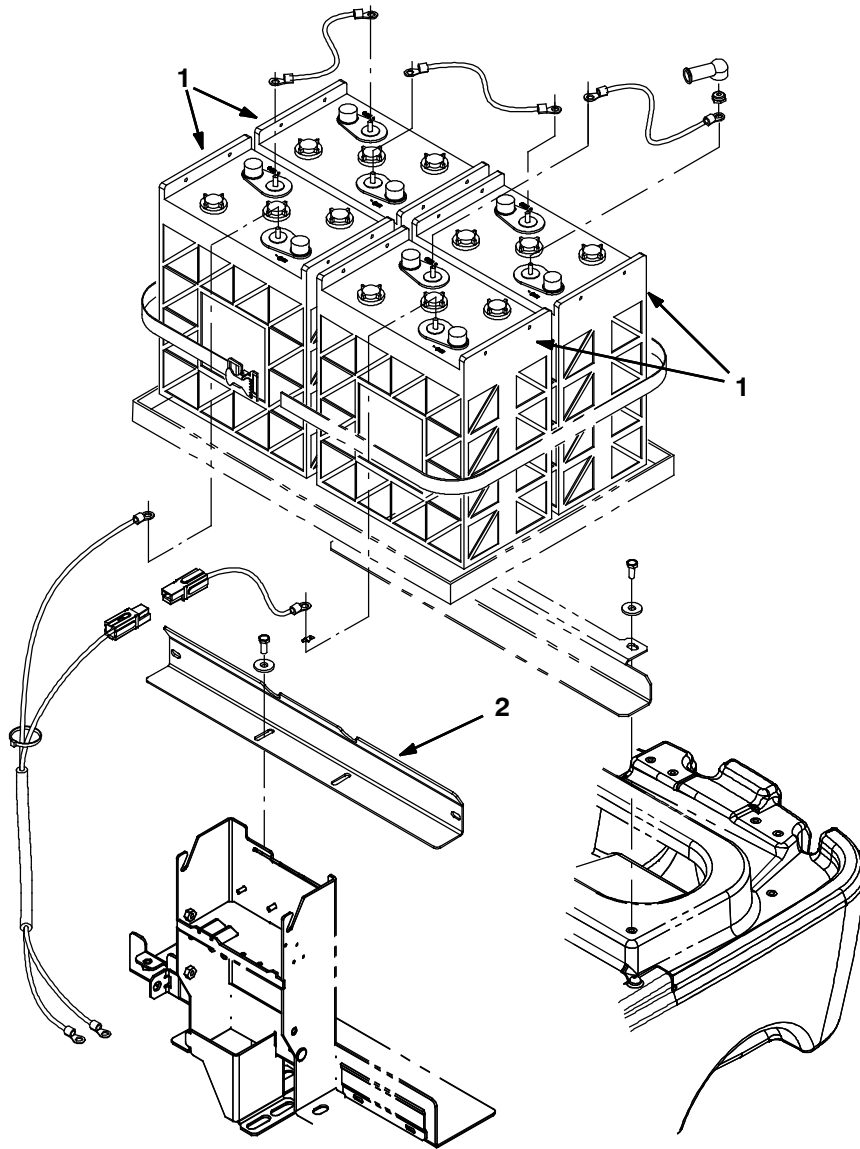
Ref.	Part No.	Description	Qty.
1	1248613	Battery, Wet, 06vdc 0260ah, Cn (Includes Qty 2 Nuts and Washers per Battery)	4
2	07786	Nut, Hex, Std, M8 X 1.25, Ss	8
3	140027	Washer, Flat, 0.35b 0.75d .04, Ss	8

Fig. 12 - Battery Group, 180Ah, Maintenance Free



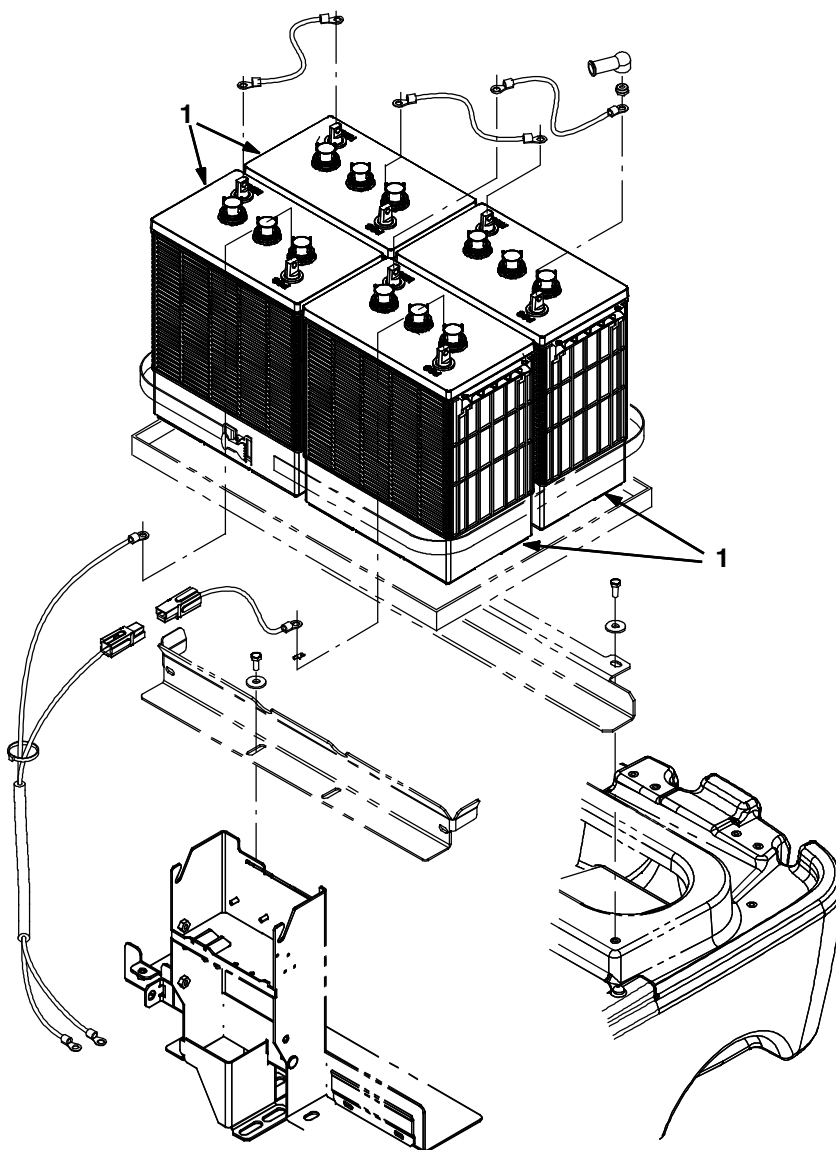
Ref.	Part No.	Description	Qty.
1	390764	Battery, 06vdc 0180ah, Maint Free	4
2	140221	Screw, Hex, .31- 18 X 1.25, Ss	8
3	140506	Nut, Hex, Std, .31- 18, Ss	8

Fig. 13 - Battery Group, 220Ah, Maintenance Free



Ref.	Part No.	Description	Qty.
1	1074042	Battery, Agm, 06vdc, 220ah (Discover)	4
2	1042532	Bracket, Battery [T7, 220ah Agm]	1

Fig. 14 - Battery Group, 360Ah, Wet



Ref.	Part No.	Description	Qty.
1	1070587	Battery, Wet, 06vdc, 0360ah, W/ Carton	4

Fig. 15 - Battery Charger Kit, On-Board (S/N 30044871-)

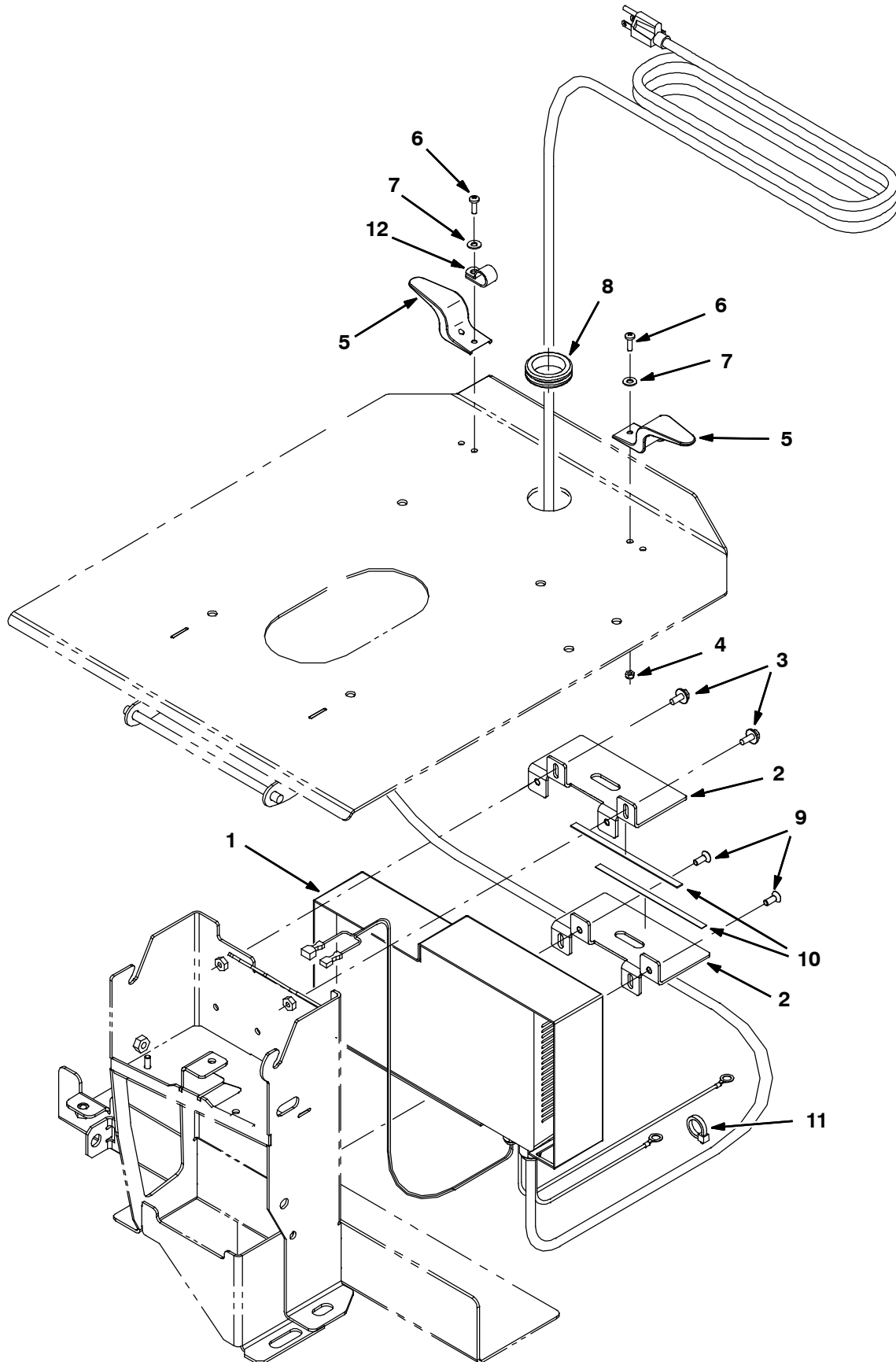


Fig. 15 - Battery Charger Kit, On-Board (S/N 30044871-)

	Ref.	Part No.	Description	Qty.
▽		9001994	Charger Kit, Ci [On- Board, T7]	1
▲▽	1	1250064	Charger, 24vdc 25a 115vac (T7)	1
▲▲		1206662	Fuse, 015a, 250vac [Baf- 15]	1
▲	2	1231256	Bracket, Chrgr, On- Board [T7]	2
▲	3	1034731	Screw, Hex, M6 X 1.00 X 16, Ss, Sems	4
▲	4	06549	Nut, Hex, Lock, M5 X 0.80, NI	4
▲	5	230920.BK	Hook, Cord, Blk [Boss]	2
▲	6	06933	Screw, Pan, M5 X 0.80 X 16, 4.8	4
▲	7	19066	Washer, Flat, #10	4
▲	8	10632- 13	<input type="checkbox"/> Grommet, Rbr, 1.50id, F/1.8h, .19 Matl	1
▲	9	09163	<input type="checkbox"/> Screw, Flt, Soc, M6 X 1.00 X 16, 18- 8,Ss	2
▲	10	1020280	<input type="checkbox"/> Seal, Afmkt, Rbr, Clsd, Adh, 01ft	1
▲	11	130040	<input type="checkbox"/> Tie, Cable, Nyl, 06.0l .12w	5
▲	12	10632- 13	<input type="checkbox"/> Grommet, Rbr, 1.50id, F/1.8h, .19 Matl	1

Serial number (30044871-)

Fig. 16 - Battery Charger Kit, On-Board (S/N 30000000-30044870)

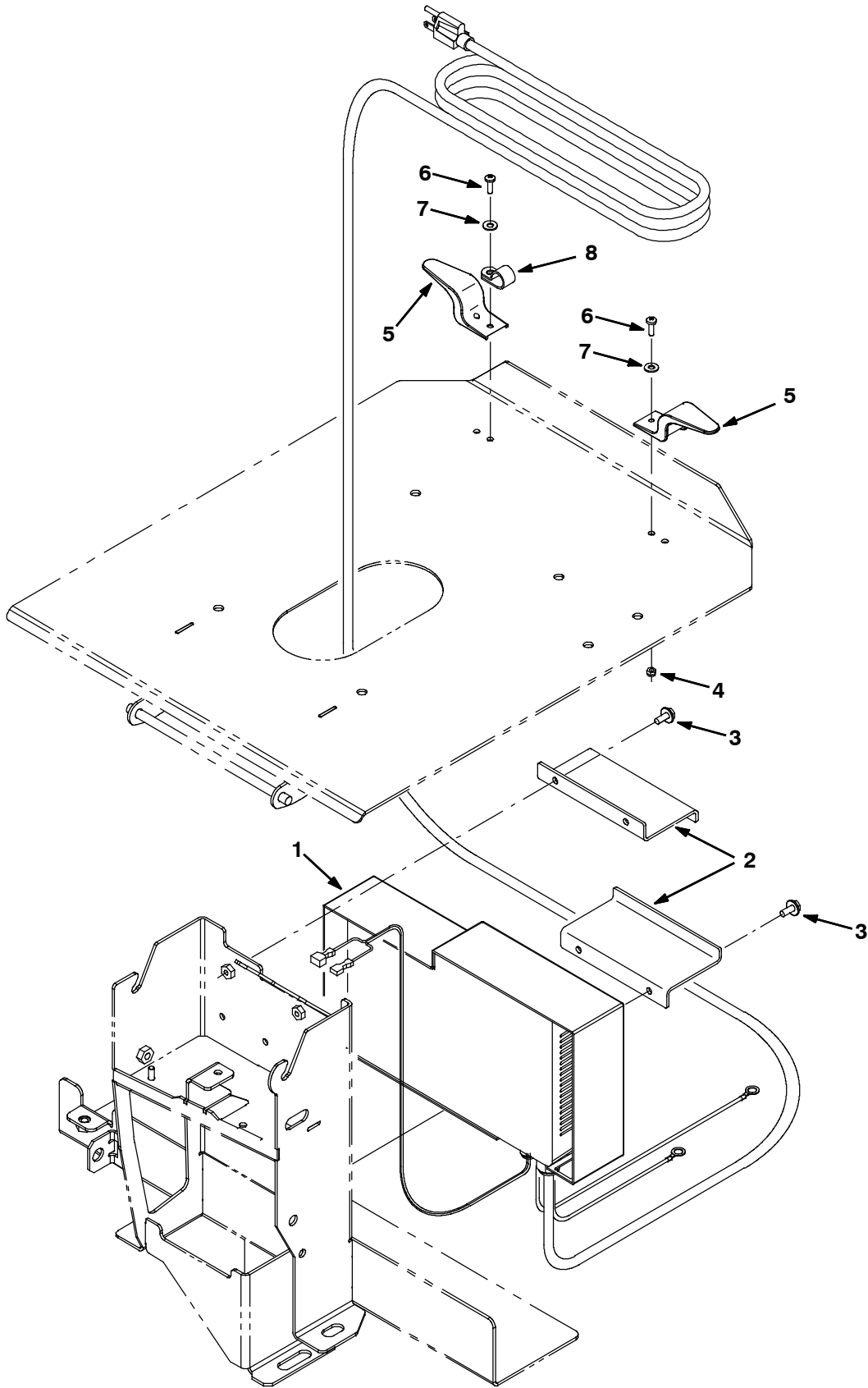


Fig. 16 - Battery Charger Kit, On- Board (S/N 30000000- 30044870)

	Ref.	Part No.	Description	Qty.
▽		9001994	Charger Kit, Ci [On- Board, T7]	1
▲	1	1031491	Charger, 24vdc 25a 115vac [Wet/Gel]	1
▲	2	1031180	Bracket, Chrgr	2
▲	3	1034731	Screw, Hex, M6 X 1.00 X 16, Ss, Sems	4
▲	4	06549	Nut, Hex, Lock, M5 X 0.80, NI	4
▲	5	230920.BK	Hook, Cord, Blk [Boss]	2
▲	6	06933	Screw, Pan, M5 X 0.80 X 16, 4.8	4
▲	7	19066	Washer, Flat, #10	4
▲	8	26395- 2	Ⓜ Clamp, Cable, Stl, 0.38d X 0.38w, 1hole	1

Ⓜ Serial number (30000000- 30044870)

Fig. 17 - Battery Chargers Group, Off-Board (China)

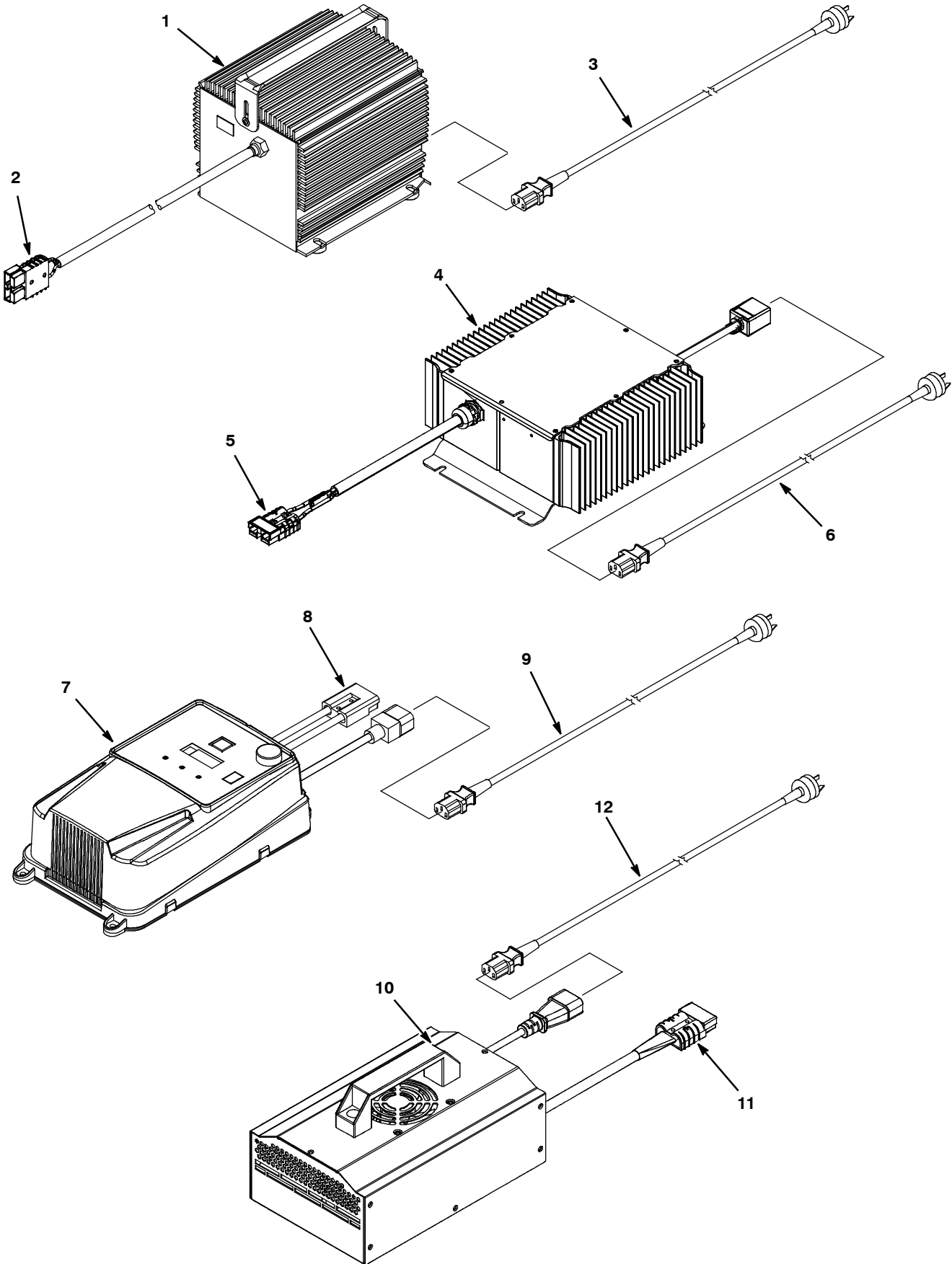


Fig. 17 - Battery Chargers Group, Off-Board (China)

	Ref.	Part No.	Description	Qty.
▽	1	9020687	Charger Kit, 24vdc 019a, Ci[W/ Ac Cord] (Gel/AGM Batteries)	1
▲	2	605387	Connector, Anderson, 50a,Red W/O Contact	1
▲	3	1026330	Cord, Power, 1.0mm2 [2.5meter, China]	1
▽	4	9016429	Charger Kit, 24vdc 025a, Ci[W/ Ac Cord] (For 360Ah Batteries)	1
▲	5	605387	Connector, Anderson, 50a,Red W/O Contact	1
▲	6	1026330	Cord, Power, 1.0mm2 [2.5meter, China]	1
▽	7	1242383	Charger, 24vdc, 196- 264vac, Off- Brd (For Lithium- Ion Batteries)	1
▲	8	605387	Connector, Anderson, 50a,Red W/O Contact	1
	9	1026330	Cord, Power, 1.0mm2 [2.5meter, China] (China)	1
▽	10	1252745	Charger, 24vdc/25a, 220vac [Off Board] (For 240Ah Batteries)	1
▲	11	605387	Connector, Anderson, 50a,Red W/O Contact	1
	12	1026330	Cord, Power, 1.0mm2 [2.5meter, China] (China)	1

Fig. 18 - Battery Chargers Group, Off-Board

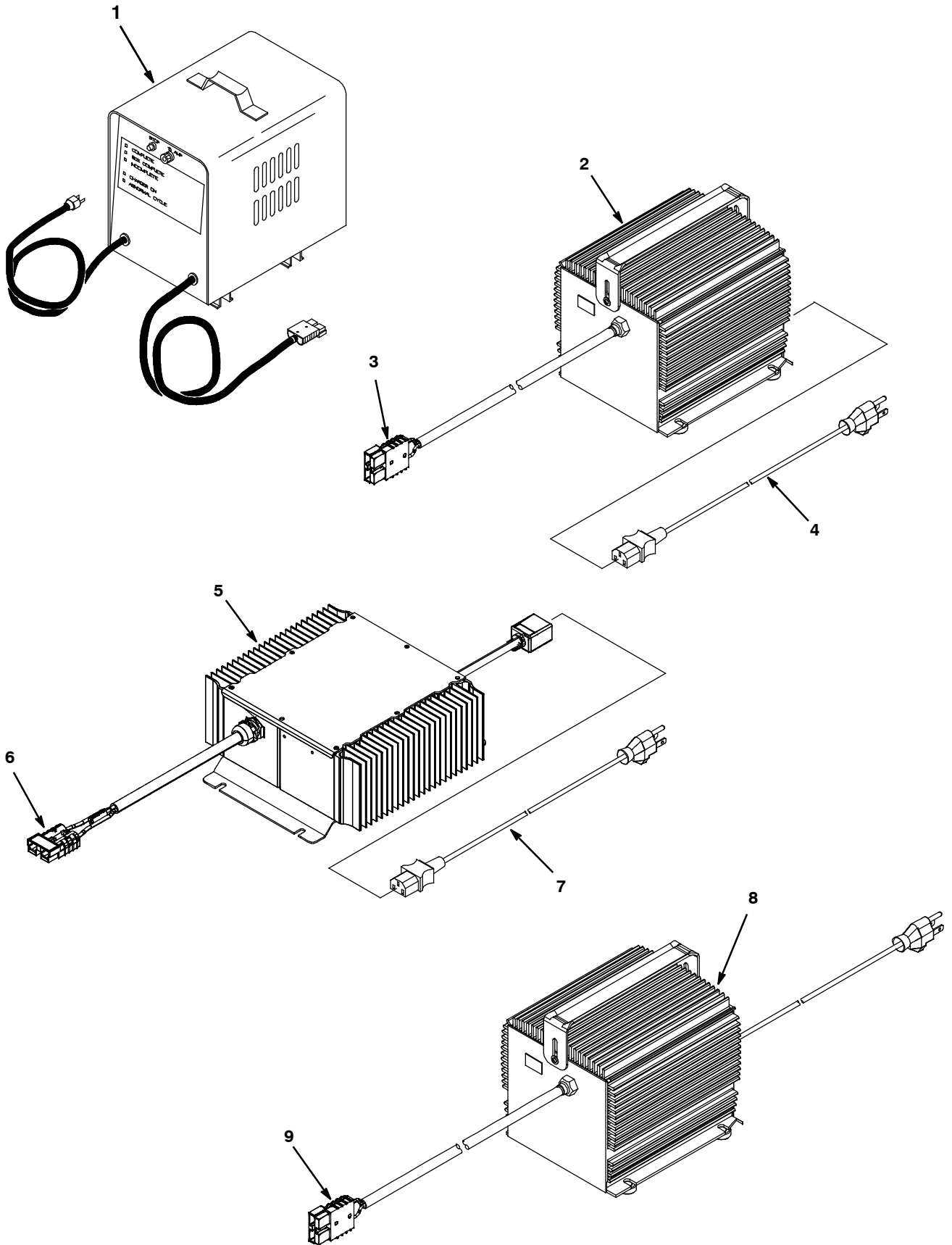
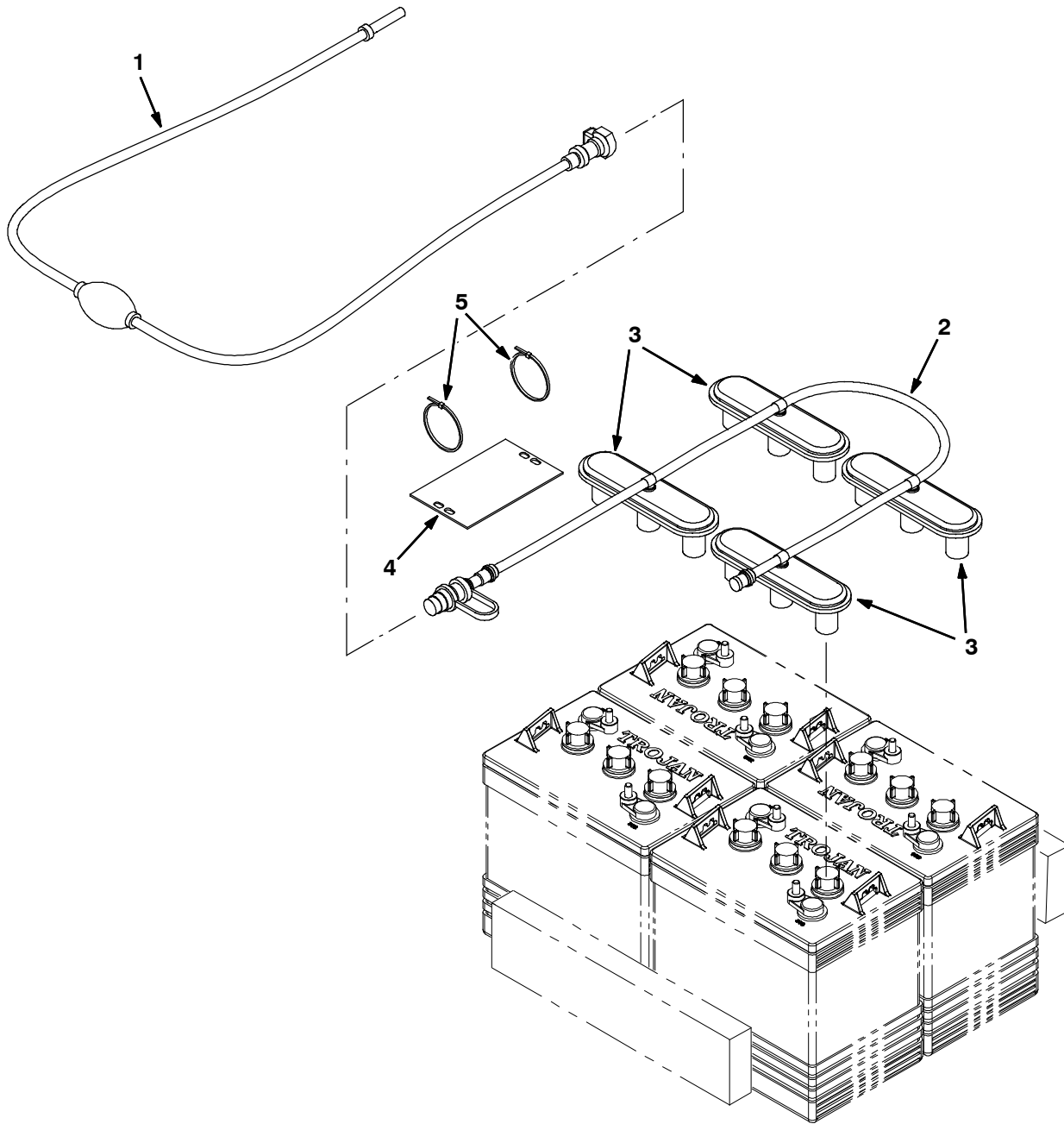


Fig. 18 - Battery Chargers Group, Off- Board

Ref.	Part No.	Description	Qty.
	1 604282	Charger 24Vdc/30Amp/World (Japan) (Replaced by 9009486)	1
	1 1027951	Charger Kit, 24vdc 020a 120vac [Gel/Agm] (Japan)	1
	1 1027952	Charger Kit, 24vdc 020a 240vac [Gel/Agm] (Japan)	1
▽	2 1029256	Charger, 24vdc, 19a Var Vac 1ph 50/60hz (Gel/AGM Batteries)	1
▲	3 605387	Connector, Anderson, 50a,Red W/O Contact	1
▲	4 1017079	Cord, Extn, 16ga /3, 010ft [Sjt]	1
▽	2 9009310	Charger Kit, 24vdc, 19a Var50/60hz [Kor] (Korea)	1
▲	3 605387	Connector, Anderson, 50a,Red W/O Contact	1
▲	4 1070626	Cord, Power, 2.5m L, 7mm Dia, Blk[Korea]	1
▽	5 9009486	Charger Kit, 24vdc 025a, Ci[W/ Ac Cord]	1
▲	6 605387	Connector, Anderson, 50a,Red W/O Contact	1
▲	7 1017079	Cord, Extn, 16ga /3, 010ft [Sjt]	1
▽	8 1067630	Charger, 24vdc, 19a Var Vac 50/60hz (Japan - PSE Approved)	1
▲	9 605387	Connector, Anderson, 50a,Red W/O Contact	1

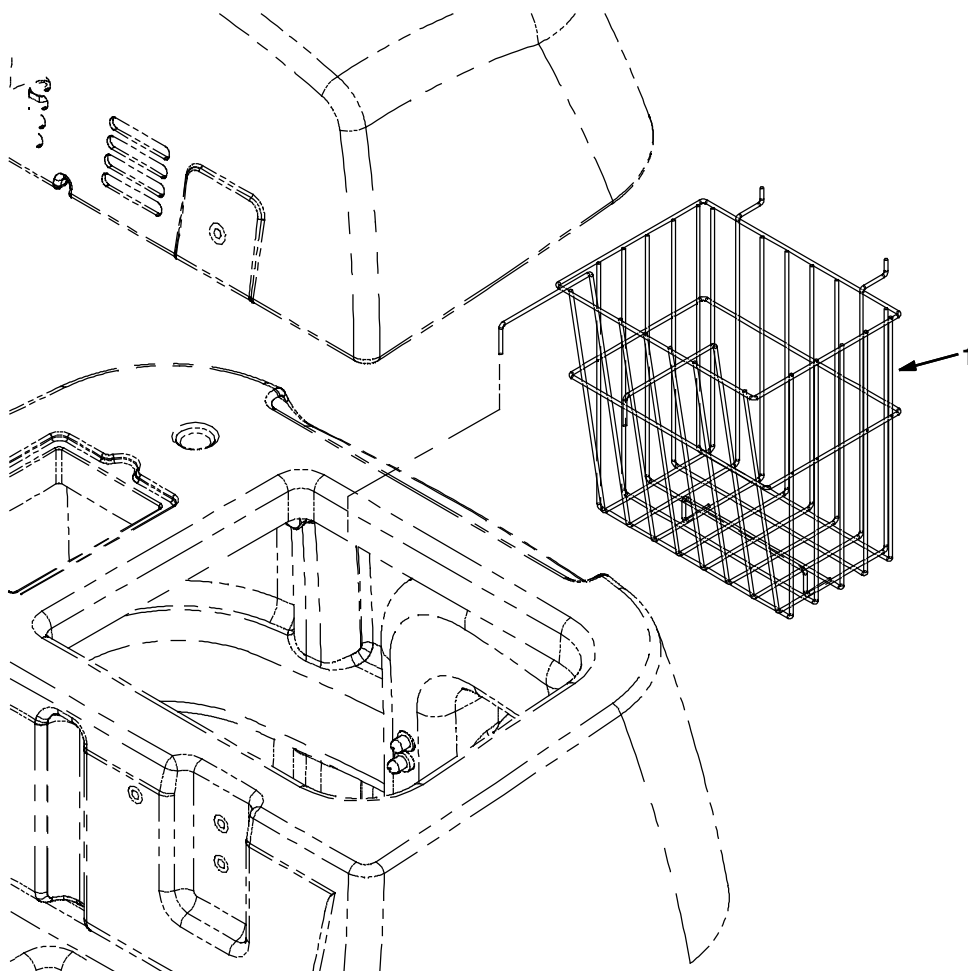
Fig. 19 - HydroLink® Battery Watering System Kit



Ref.	Part No.	Description	Qty.
▽	9010300	Pump Kit, Fill, Battery,24vdc,Ci[Trojan]	1
▲	1 1058939	Pump Kit, Fill, Battery	1
▲	2 1070394	Tube, Water, Battery, 24vdc [Trojan]	1
▲	3 1204142	Cap, Fill, Battery [Trojan]	4
▲	4 1071084	Label, Tag, Battery [HydroLink Watering]	1
▲	5 130773	Tie, Cable, Nyl, 11.0l, .14w, 3.0 Max. D	2

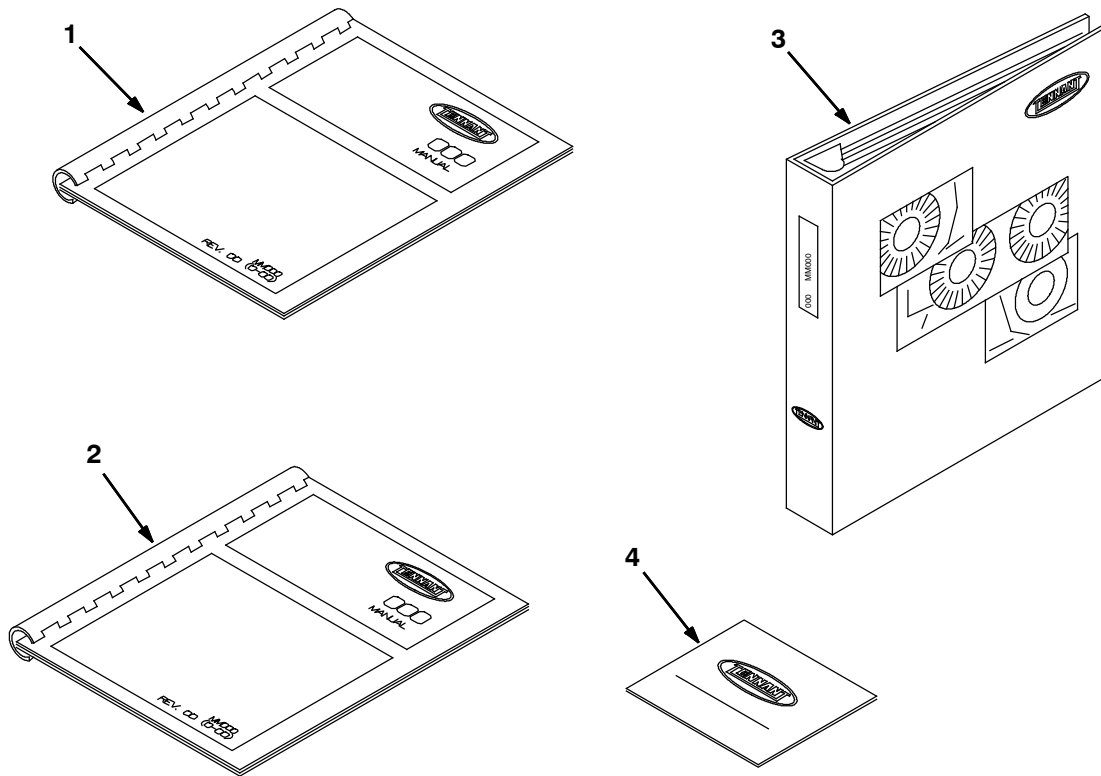
*THIS KIT IS INTENDED FOR USE WITH TROJAN® LEAD ACID BATTERIES ONLY.
 HYDROLINK® IS A REGISTERED TRADEMARK OF TROJAN® BATTERY COMPANY.

Fig. 20 - Basket Kit



Ref.	Part No.	Description	Qty.
1	9001004	Basket Kit, Ci	1

Fig. 21 - Documentation Group



Ref.	Part No.	Description	Qty.
1	331040	Manual, Oprtr [T7, Na]	1
1	331042	Manual, Oprtr, [T7 Ele Es Na]	1
1	331043	Manual, Oprtr, [T7 Ele Fr Na]	1
1	331044	Manual, Oprtr [T7, Jp]	1
2	9013561	Manual, Parts [T7 Ele, China]	1
3	331045	Manual, Service, [T7 Ele Na]	1
4	1059848	Media, Dvd, Training, Inter, Eng [T7]	1
4	1059850	Media, Dvd, Training, Inter, Spn [T7]	1



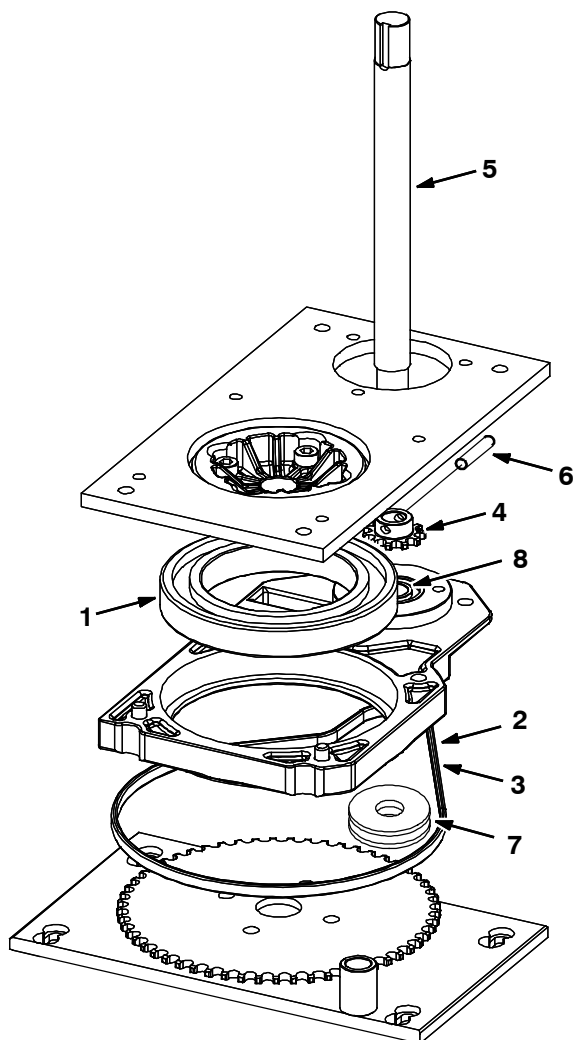
To view, print, order, download the latest Parts manual, other language Operator manuals, and Use and Care Guides (wall charts), visit:

www.tennantco.com/manual

SECTION 4

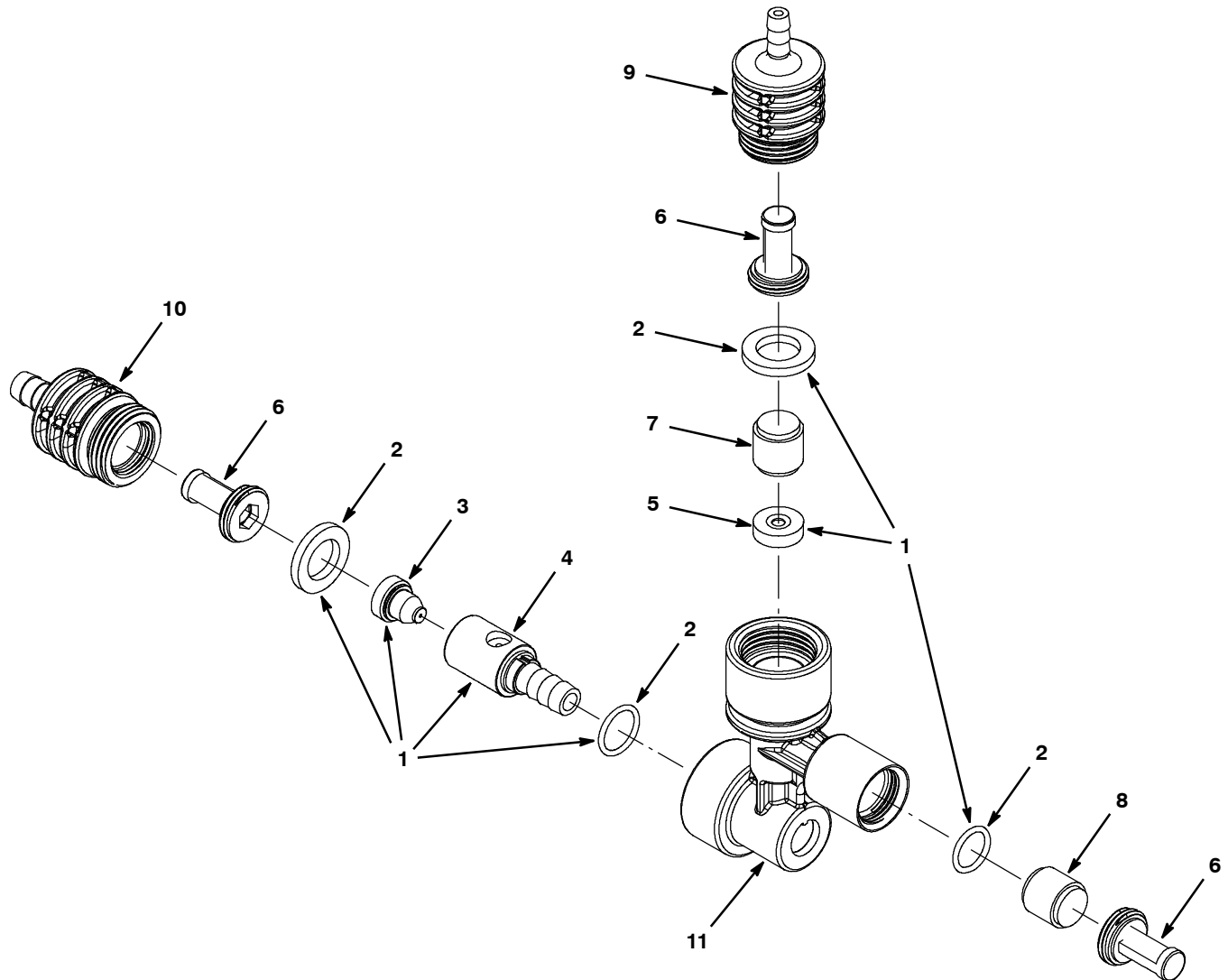
Contents	Page
Fig. 1 - Steering Control Breakdown, 1019724 ..	4-2
Fig. 2 - FaST Injector Assembly Breakdown, 9008885	4-3
Fig. 3 - ec-H2O NanoClean Module Breakdown, 9020643 (S/N JAN2022-) ...	4-4
Fig. 4 - ec-H2O NanoClean Module Breakdown, 9011810 (S/N 30044871- DEC2021) ..	4-6
Fig. 5 - ec-H2O Module Assembly Breakdown, 9007970 (S/N 30000000- 30044870) ..	4-8
Fig. 6 - Vacuum Fan Motor Breakdown, 1039763	4-10
Fig. 7 - Vacuum Fan Motor Breakdown, 1021064	4-12
Fig. 8 - Front Wheel Gearbox Breakdown, 9008999	4-14

Fig. 1 - Steering Control Breakdown, 1019724



Ref.	Part No.	Description	Qty.
▽	1019724	Steer- Control Assy, Wheel Drive	1
▲	1 372874	Bearing, Steering	1
▲	2 372875	Chain, Steering	1
▲	3 372876	Link, Master	1
▲	4 372881	Sprocket	1
▲	5 1029229	Shaft, Steering	1
▲	6 1038313	Pin, Roll, 06Mm X 28MmL	1
▲	7 9011051	Vr, Pulley, Tens	1
▲	8 9008719	Vr, Bearing [6003 2rs]	2

Fig. 2 - FaST Injector Assembly Breakdown, 9008885



Ref.	Part No.	Description	Qty.
▽	9008885	Fast Kit, Injector, Ci[T7/Ssr/T16 Fast3]	1
▲▽	1 9008884	Fast Kit, Ci [Inj Reblid,T7/Ssr/T16, Iii]	1
▲▲	2 9008848	Fast Kit, Seal, Injector, Ci [Fast Iii]	1
▲▲	3 1039990	Plug, Orifice, 0.041, Ss [Fast li+]	1
▲▲	4 1059250	Insert, Venturi, Medium, [Fast Iii]	1
▲▲	5 1067473	Plate Assy, Orifice, 0.0090id, Natural	1
▲	6 9003009	Fast Kit, Ci, Injector Filters[Fast li+]	1
▲	7 1030444	Valve, Check, 0002psi [Fast li+]	1
▲	8 1030441	Valve, Check, 0005psi [Fast li+]	1
▲	9 1058126	Housing, Fltr, Upper [Fast Iii]	1
▲	10 1057811	Housing, Fltr, Lower [Fast Iii]	1
▲	11 1053564	Housing, Body, Injector [Fast Iii]	1

Fig. 3 - ec-H2O NanoClean Module Breakdown, 9020643 (S/N JAN2022-)

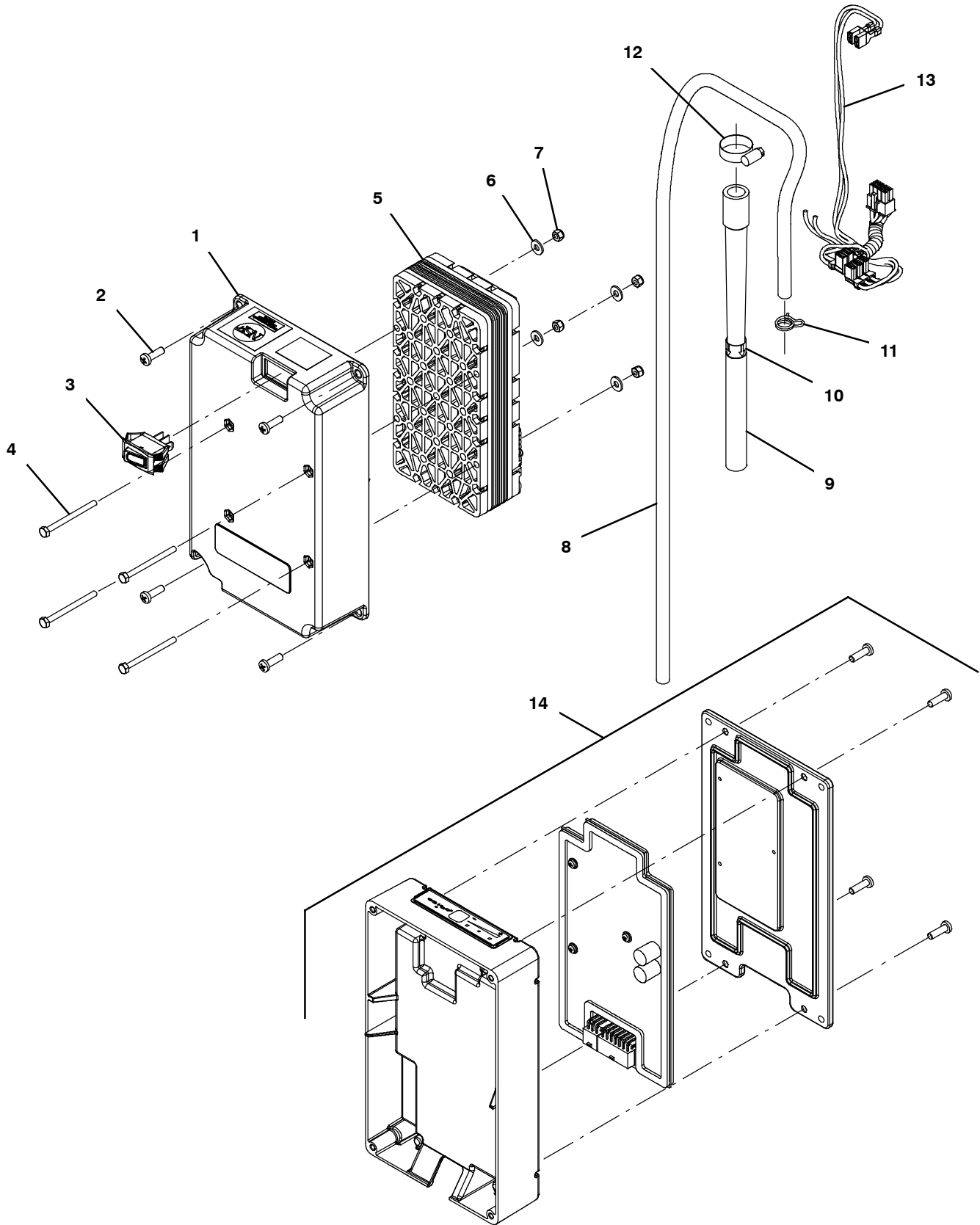


Fig. 3 - ec-H2O NanoClean Module Breakdown, 9020643 (S/N JAN2022-)

Ref.	Part No.	Description	Qty.
▽	9020643	④ Module Kit, Replmt [Ec- H2o, B 02] (Includes ec- H2O NanoClean Cartridge)	1
▲▽	9014126	② Ec- H2o Nc Kit [Module B, Plumbing]	1
▲▲	1 1208823	② Housing, Module, Upper, Ec- H2o	1
▲▲	2 1015506	② Screw, Pan, Phi, M5 X 16, Tcut [Plastic]	4
▲▲	3 1044393	② Switch, Rocker, Spst, Mom	1
▲▲	4 32509	② Screw, Hex, M4 X 0.70 X 50, Ss	4
▲▲	5 1233516	④ Electrode, 5 Plate [De Nora Tech]	1
▲▲	6 41579	② Washer, Flat, 08, Ss	4
▲▲	7 33932	② Nut, Hex, Lock, M4 X 0.70, Ni, Ss	4
▲▲	8 1006415	② Hose, Afrmkt, Pvc, Clr, 0.25id, 03ft	1
▲▲	9 1208526	② Hose, Molded, Bm08/Bm06	1
▲▲	10 1049637	② Label, Direction [Ec- H2o]	1
▲▲	11 613735	② Clamp, Hose, Wir, .40 - .42, Yel	1
▲▲	12 54333	② Clamp, Hose, Wormdrive, 0.31- 0.88d, .31w	1
▲▲	13 1073286	② Harness, Ele, Module B2 [Ec- H2o]	1
▲	14 9020642	④ Controller Kit, Replmt [Ec- H2o Nc] (Includes ec- H2O NanoClean Cartridge)	1

② Serial number (30044871-)

④ Serial number (JAN2022-)

Fig. 4 - ec-H2O NanoClean Module Breakdown, 9011810 (S/N 30044871 - DEC2021)

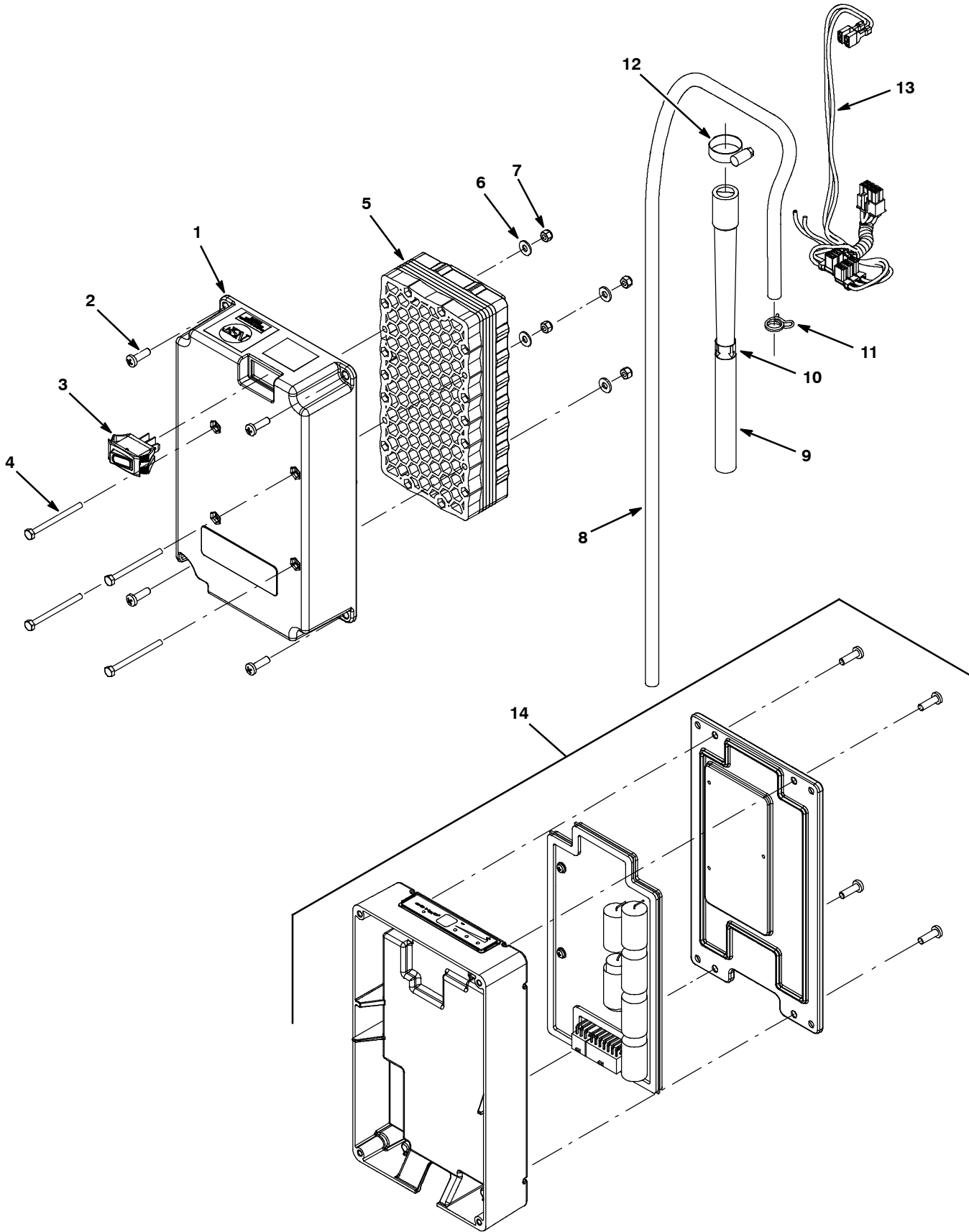


Fig. 4 - ec-H2O NanoClean Module Breakdown, 9011810(S/N 30044871 - DEC2021)

Ref.	Part No.	Description	Qty.
▽	9011810	③ Module Kit, Replmt [Ec- H2o, B 02] (Includes ec- H2O NanoClean Cartridge) (Replaced By 9020643)	1
▲▽	9014126	② Ec- H2o Nc Kit [Module B, Plumbing]	1
▲▲	1 1208823	② Housing, Module, Upper, Ec- H2o	1
▲▲	2 1015506	② Screw, Pan, Phl, M5 X 16, Tcut [Plastic]	4
▲▲	3 1044393	② Switch, Rocker, Spst, Mom	1
▲▲	4 32509	② Screw, Hex, M4 X 0.70 X 50, Ss	4
▲▲	5 1208164	③ Electrode, 5 Plate, High Flow (Replaced By 1233516)	1
▲▲	6 41579	② Washer, Flat, 08, Ss	4
▲▲	7 33932	② Nut, Hex, Lock, M4 X 0.70, NI, Ss	4
▲▲	8 1006415	② Hose, Afmkt, Pvc, Clr, 0.25id, 03ft	1
▲▲	9 1208526	② Hose, Molded, Bm08/Bm06	1
▲▲	10 1049637	② Label, Direction [Ec- H2o]	1
▲▲	11 613735	② Clamp, Hose, Wir, .40 - .42, Yel	1
▲▲	12 54333	② Clamp, Hose, Wormdrive, 0.31- 0.88d, .31w	1
▲▲	13 1073286	② Harness, Ele, Module B2 [Ec- H2o]	1
▲	14 9014127	③ Controller Kit, Replmt [Ec- H2o Nc] (Includes ec- H2O NanoClean Cartridge) (Replaced By 9020642)	1

② Serial number (30044871-)

③ Serial number (30044871- DEC2021)

Fig. 5 - ec-H2O Module Assembly Breakdown, 9007970 (S/N 3000000-30044870)

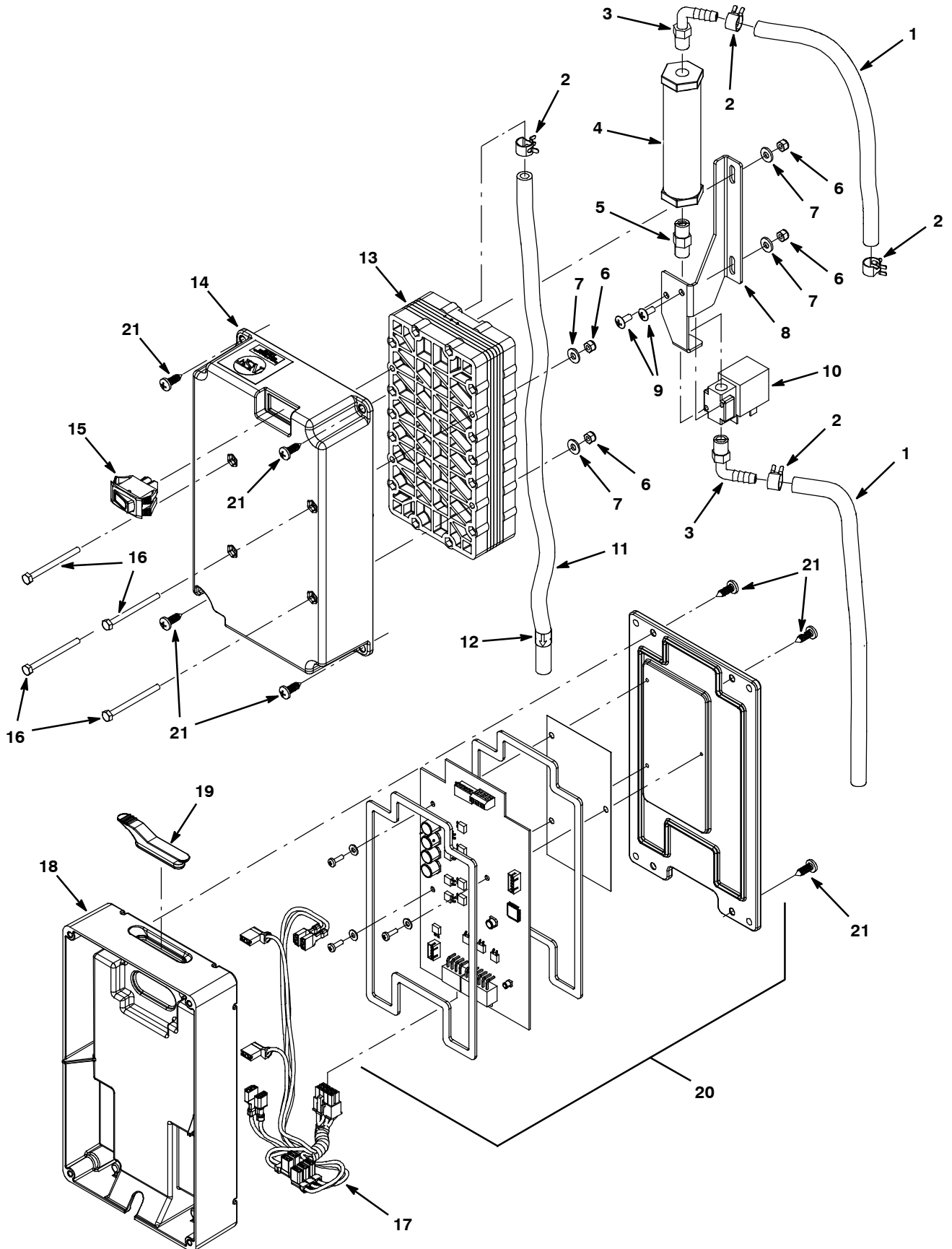


Fig. 5 - *ec-H2O* Module Assembly Breakdown, 9007970 (S/N 30000000-30044870)

Ref.	Part No.	Description	Qty.
▽	9007970	Module Kit, Replmt [Ec- H2o]	1
▲▽	9006324	Ec- H2o Kit, Module B, Plumbing	1
▲▲	1 578820000	Hose, Pvc, Brd, 0.25id 0.44od 157.2l,Clr	1
▲▲	2 603654	Clamp, Hose, Ear, .44d [Ctb]	4
▲▲	3 1037595	Fitting, Plstc, E90, Bm04/Pm02, Nyl	2
▲▲	4 1062006	Electrode, Cylindrical	1
▲▲	5 1045030	Fitting, Brs, Str, Pm02/Pm02	1
▲▲	6 33932	Nut, Hex, Lock, M4 X 0.70, NI, Ss	4
▲▲	7 41579	Washer, Flat, 08, Ss	4
▲▲	8 1048490	Bracket, Valve	1
▲▲	9 140801	Screw, Trs, Phl, 08- 32 X 0.38, Ss	2
▲▲	10 1013236	Valve, Shutoff, Ele, 24vdc	1
▲▲	11 9006574	Hose, Pvc, Brd, 0.25id 0.45od, 65l, Clr	1
▲▲	12 1049637	Label, Direction [Ec- H2o]	1
▲▲	13 1057637	Electrode, 5 Plate, High Flow	1
▲▲	14 1051519	Housing, Upper, Module, High Flow	1
▲▲	15 1044393	Switch, Rocker, Spst, Mom	1
▲▲	16 32509	Screw, Hex, M4 X 0.70 X 50, Ss	4
▲▲	17 1049489	Harness, Main,Controlboard[Ec- H2o 5cell]	1
▲	18 1037032	Housing, Bottom	1
▲	19 1054776	Grommet, Blind	1
▲	20 9007969	Controller Kit, Replmt [Ec- H2o]	1
▲	21 1018155	Screw, Pan, Phl, M5 X 0.80 X 16, Tcut,Ss	8

☐ Serial number (30000000- 30044870)

Fig. 6 - Vacuum Fan Motor Breakdown, 1039763

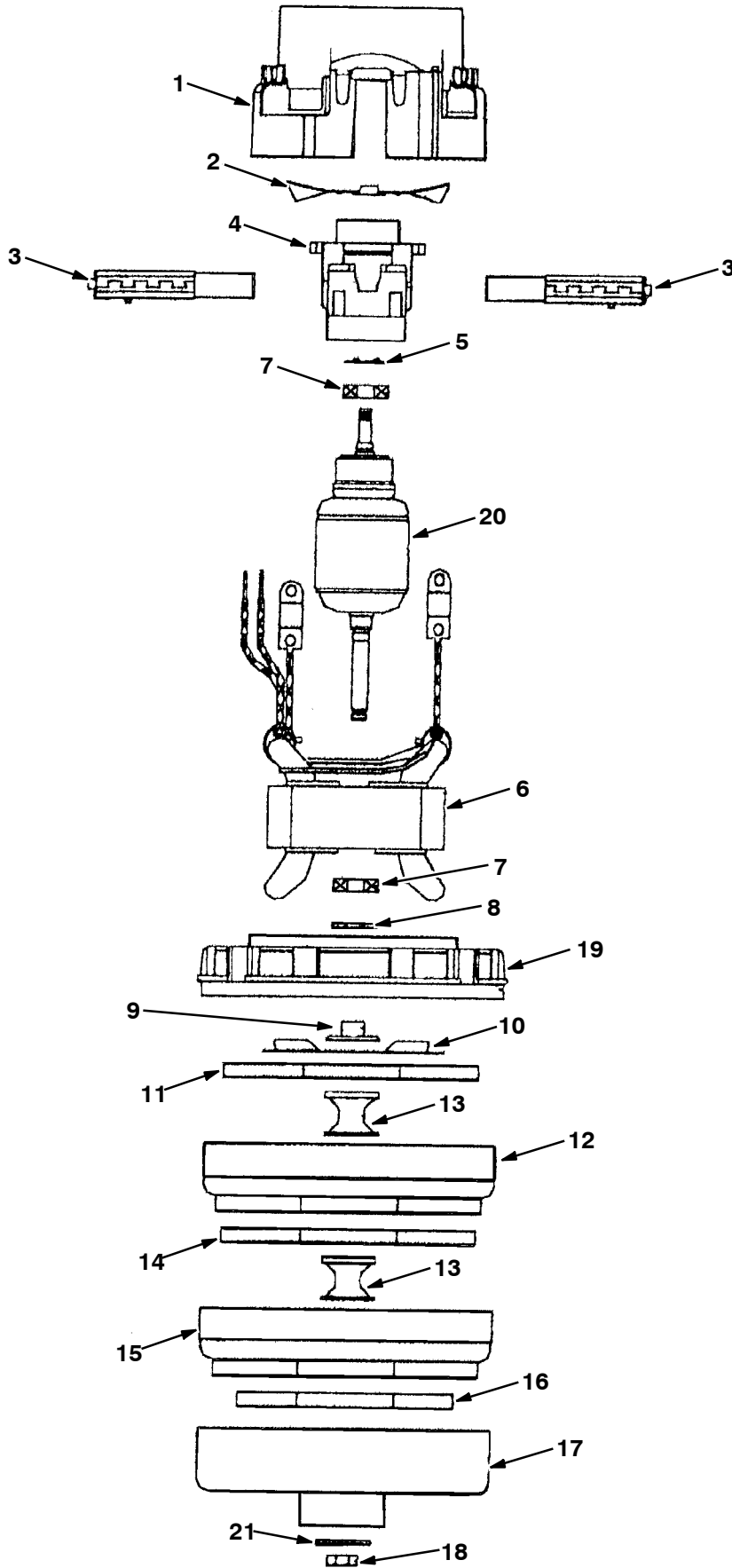


Fig. 6 - Vacuum Fan Motor Breakdown, 1039763

	Ref.	Part No.	Description	Qty.
▽		1039763	Fan, Vacuum, 5.7D, 024Vdc, 3 Stage [Bpp]	1
▲	1	398511	Housing	1
▲	2	398512	Fan	1
▲	3	372883	Brush Kit, Motor, Ele	1
▲	4	398514	Bracket	1
▲	5	01856	Spring, Brg, Motor, Vacfan	1
▲	6	372885	Commutator	1
▲	7	01837	Bearing, Motor, Vacfan	2
▲	8	372886	Washer	1
▲	9	398516	Spacer	1
▲	10	01971	Impeller, Vacfan	1
▲	11	372888	Impeller, Fan	1
▲	12	60387	Fan	1
▲	13	398517	Spacer	2
▲	14	18628	Impeller, Vacfan	1
▲	15	61297	Housing, Impeller, Vacfan	1
▲	16	372889	Impeller, Fan	1
▲	17	372890	Shell, Fan	1
▲	18	37929	Nut, Impeller, Vacfan	1
▲	19	372887	Bracket, End, Fan	1
▲	20	372884	Armature	1
▲	21	378983	Washer	1
▲		223264	Seal, Rbr, Clsd, 0.25th, 5.8d 03.3h	1
▲		10925	Connector, Fem, 2cav [Mp630 Sealed]	1
▲		24537	Terminal, Fem, 10/12ga [Mp630 P2s]	2

Fig. 7 - Vacuum Fan Motor Breakdown, 1021064

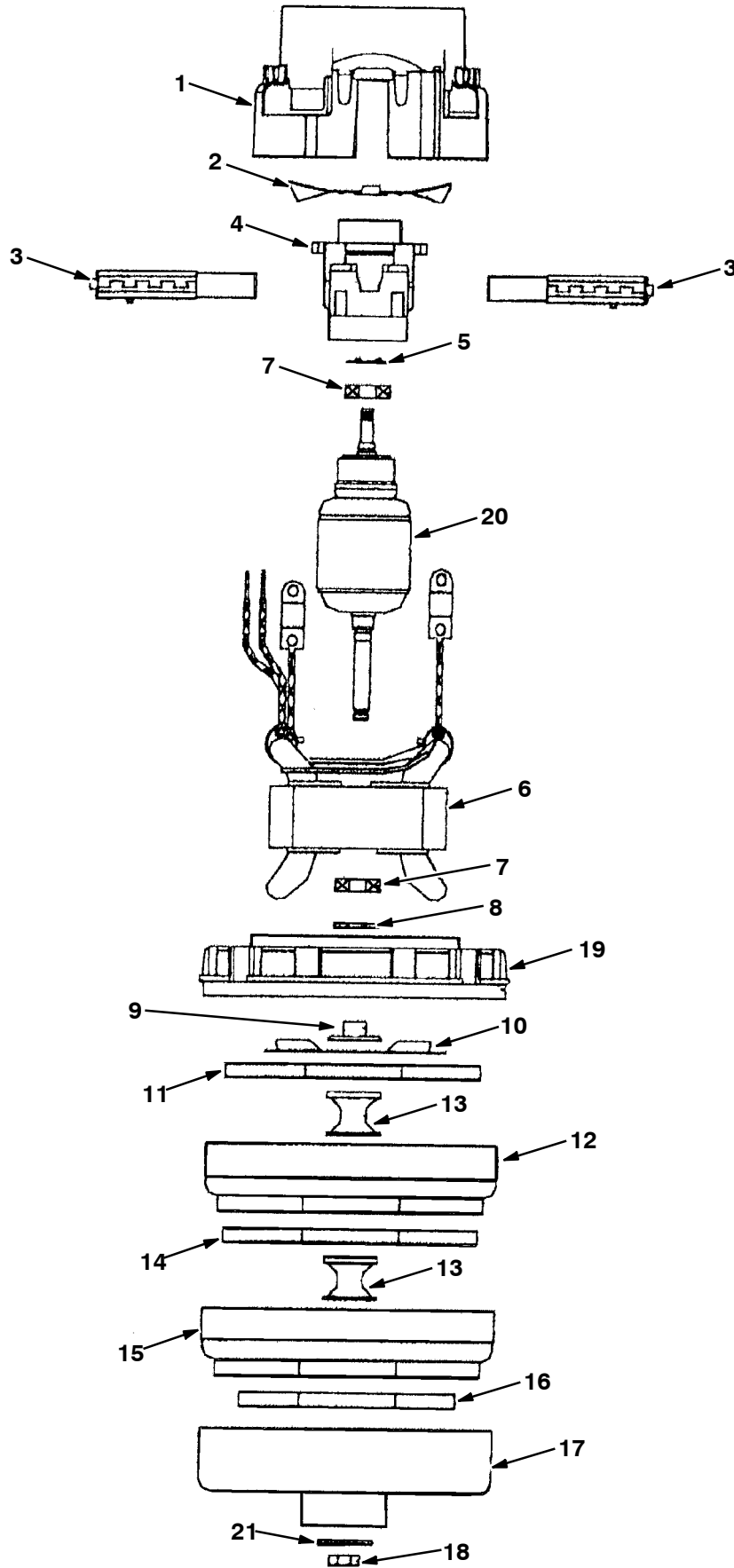


Fig. 7 - Vacuum Fan Motor Breakdown, 1021064

	Ref.	Part No.	Description	Qty.
▽		1021064	Fan, Vacuum, 5.7, 3s 24v Bpt (Australian Model)	1
▲	1	398511	Housing	1
▲	2	398512	Fan	1
▲	3	372883	Brush Kit, Motor, Ele	1
▲	4	398514	Bracket	1
▲	5	01856	Spring, Brg, Motor, Vacfan	1
▲	6	372885	Commutator	1
▲	7	01837	Bearing, Motor, Vacfan	2
▲	8	372886	Washer	1
▲	9	398516	Spacer	1
▲	10	01971	Impeller, Vacfan	1
▲	11	372888	Impeller, Fan	1
▲	12	60387	Fan	1
▲	13	398517	Spacer	2
▲	14	18628	Impeller, Vacfan	1
▲	15	61297	Housing, Impeller, Vacfan	1
▲	16	372889	Impeller, Fan	1
▲	17	372890	Shell, Fan	1
▲	18	37929	Nut, Impeller, Vacfan	1
▲	19	372887	Bracket, End, Fan	1
▲	20	372884	Armature	1
▲	21	378983	Washer	1
▲		223264	Seal, Rbr, Clsd, 0.25th, 5.8d 03.3h	1
▲		10925	Connector, Fem, 2cav [Mp630 Sealed]	1
▲		24537	Terminal, Fem, 10/12ga [Mp630 P2s]	2

Fig. 8 - Front Wheel Gearbox Breakdown, 9008999

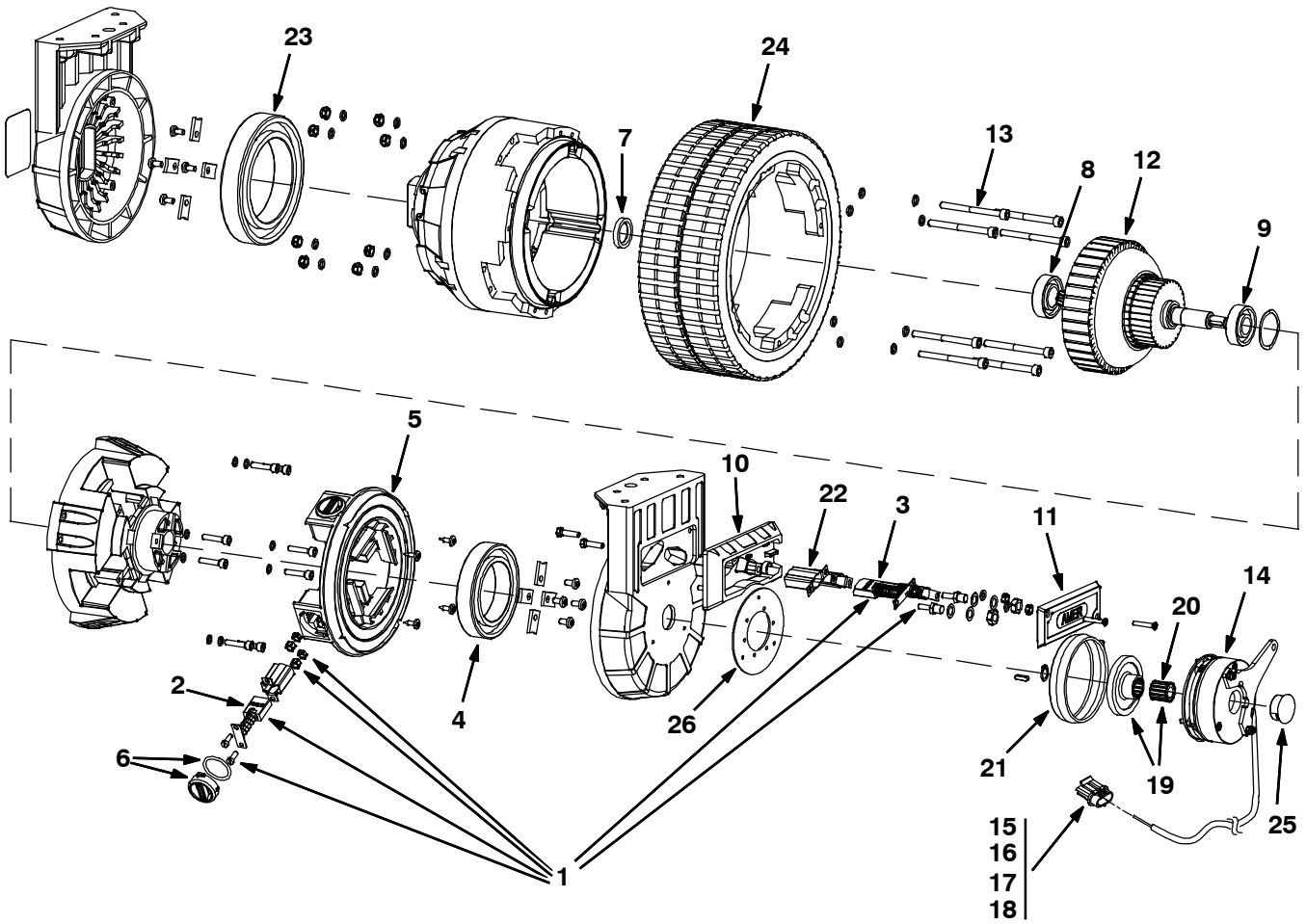


Fig. 8 - Front Wheel Gearbox Breakdown, 9008999

	Ref.	Part No.	Description	Qty.
▽		9008999	Gearbox Kit, Wheel, 250mm, W/ Connector	1
▲	1	391261	Brush Kit, Motor [Amer, 1pick=1bag] (1 Kit = 6 Brushes)	1
▲▽		1029225	Brush Kit, Carbon (1 Kit = 4 Brushes)	1
▲▲	2	1029224	Brush, Carbon (1 Brush)	4
▲▽		1029226	Brush Kit, Carbon, Curve (1 Kit = 2 Brushes)	1
▲▲	3	398492	Brush, Motor, Ele [Amer] Curve (1 Brush)	2
▲	4	1029227	Bearing, Ball, Brush Side	1
▲	5	1029228	Ring, Brushholder	1
▲	6	391262	Brush Kit, Cover [Amer]	4
▲	7	391263	Seal, Ring [Amer]	1
▲	8	391264	Bearing, Gearbox Side [Amer]	1
▲	9	391265	Bearing, Motor Side [Amer]	1
▲	10	391467	Box, Ele, Connection	1
▲	11	391468	Cover, Ele, Connection	11
▲	12	372867	Armature	1
▲	13	1029218	Screw, Mount, Wheel	8
▲▽	14	9008896	Brake Kit, W/Connector	1
▲▲	15	78950	Connector, Fem, 02cav, Mp280 Sealed	2
▲▲	16	78952	Lock, Secondary, 2cav, Mp280 Sealed	2
▲▲	17	25837	Terminal, Fem, Mp280, Sealed, 22- 20ga	2
▲▲	18	25830	Seal, Wire, 14ga [Wp / Mp280 Sealed]	2
▲▲	19	372870	Disc, Brake (Set Includes Spline)	1
▲▲	20	372871	Adapter, Brake, Spl (NLA - Replaced By Set 372870)	1
▲	21	372872	Sleeve, Rbr	1
▲	22	372877	Guide, Brushholder, Slip Ring [Amer]	1
▲	23	372874	Bearing, Steering	1
▲	24	391259	Tire, Solid, 250mm X 90mm Red	1
▲	25	130161	Plug, Hole, Rnd, 0.88d, Blk	1
▲	26	9010971	Vr, Flange, Brake, T7	1