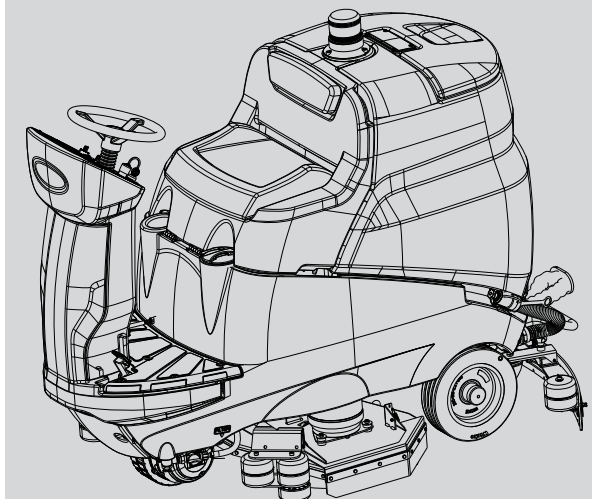




T981

BATTERY RIDER FLOOR SCRUBBER

OPERATOR'S MANUAL (EN)
MANUAL DE INSTRUCCIONES (ES)
MANUEL D'INSTRUCTIONS (FR)



North America



To view, print or download
the parts manual, visit:
www.tennantco.com/manuals

TABLE OF CONTENTS

IMPORTANT SAFETY PRECAUTIONS	3
SAFETY SYMBOLS	6
TECHNICAL SPECIFICATIONS	7
MACHINE DIMENSIONS	9
GENERAL INFORMATION	10
Purpose of this manual	10
Identifying the machine	10
Documentation provided with the machine	10
TECHNICAL INFORMATION	11
General description	11
Main parts of the machine.....	11
Control panel.....	12
Accessories.....	12
HANDLING AND INSTALLATION	13
Lifting and transporting the palletized machine	13
Inspection on delivery	13
Unpacking	13
Batteries	14
Machine Battery Selection Setting	14
WET batteries, preparation:	15
Batteries: installation and connection.....	15
Selection of battery charger	16
Preparing the battery charger	16
Battery charger settings	17
Fitting the squeegee.....	17
Squeegee adjustment	17
Fitting the Brush/Pad Holder.....	18
Fitting the brushes (Cylindrical Brush Model)	19
Fitting the side brushes (Cylindrical Brush Model).....	20
Filling the detergent tank.....	21
PRACTICAL GUIDE FOR THE OPERATOR	22
Clothing and equipment	22
Before starting the machine	22
Preparing the machine for work	22
Working	22
Service brake and parking brake	24
Double Scrubbing.....	25
Picking up water (without scrubbing)	26
During operation of the machine	26
Emergency stop button	26
Detergent solution tank empty indicator.....	27
Dirty water tank full indicator	27
Battery charge indicator	27
Emptying the dirty water tank.....	27
Emptying the solution tank	28
Emptying the cylindrical brush debris bin.....	28
Removing the the Brush/Pad Holder.....	28
Moving the machine when not in operation.....	29
MAINTENANCE INSTRUCTIONS	30
Maintenance - General rules.....	30
Cleaning the suction motor air filter.....	30
Cleaning the dirty water tank sensor.....	30
Cleaning the solution tank filter	31
Fuses:	31
Battery maintenance	31
Checking the electrolyte level of WET batteries.....	32
Recharging the batteries	32
Battery: removal	33
Replacement of Brushes and Pads.....	33
Replacing the squeegee blades.....	34
Cylindrical Brush Model side brushes wear adjustment.....	34
Machine Jacking	34
Periodic checks	35
PERIODS OF INACTIVITY	35
TROUBLESHOOTING	36
ALARMS/WARNINGS DISPLAYED	37
DRIVE WHEEL PCB ALARMS	38
USER MENU	39
RECOMMENDED SPARE PARTS	40

IMPORTANT SAFETY PRECAUTIONS

Parts of the text requiring special attention are printed in bold and preceded by the symbols illustrated and described below.



! DANGER:

Indicates the need for care in order to avoid serious consequences that could lead to the death of personnel, or to situations representing a possible health and safety hazard.

! ATTENTION:

Indicates the need for care in order to avoid serious consequences that could involve harm being done to the machine or to the workplace, or lead to economic losses.



! DANGER: If lead-acid (WET) batteries are installed in the machine, keep sparks, flames and smoking materials away from the batteries. Explosive gases can escape during normal use, particularly when recharging the batteries.



! DANGER: If lead-acid (WET) batteries are installed in the machine, charging the batteries produces highly explosive hydrogen gas. Lift the dirty water tank during the entire battery charging cycle and only perform the procedure in well ventilated areas away from naked flames.



! DANGER: Never use the machine to clean up flammable or explosive liquids (e.g. petrol, fuel oil, etc.), acids or solvents (e.g. paint solvents, acetone etc.) even if diluted.



! DANGER: Never pick up burning or incandescent objects.



! DANGER: This machine is not to be used on floors where hazardous coatings / finishes / materials exist (intended use statement).



! DANGER: Do not spray flammable liquids.

Do not use the machine:

- without having read the operating and maintenance manual.
- without having been trained in its use.
- without having been specifically entrusted with its use.
- if legally under age.
- if the machine is not working properly.
- in places without adequate lighting.
- in explosive environments.
- on public roads.
- outdoors: the machine must be used only indoors.
- where there is dirt that can be harmful to health (dust, gas, etc.).
- where there is danger of falling objects.
- in areas that are too dark to safely see the controls or operate the machine.

Clothing and equipment:

- Wear safety shoes with non-slip soles.
- Wear protective eyewear or visor and safety garments.
- Depending on the surface being cleaned and on the environment, the protective measures necessary for atomized sprays include respiratory masks with class FFP2 or equivalent or higher protection.

Before starting the machine:

- Check that the machine is not damaged.
- Check the operation of the brake.
- Check that all safety devices are in place and operating correctly.

When using the machine:

- The machine must be operated by one person only.
- Be careful to follow the safety regulations of the particular workplace regarding wet floors. When necessary, place safety signs on the wet floor while using the machine
- Park the machine on a level surface
- Do not allow children to play on or near the machine.
- Consider the type of building in which the machine is to be used (e.g. pharmaceutical/chemical plant, hospital, etc.) and observe the internal safety regulations and conditions to the letter.
- The machine must not be used for purposes other than those expressly intended.
- The machine is intended for commercial use, for example in hotels, schools, hospitals, factories, shops, offices and business premises generally. Do not use for other purposes.
- Keep all parts of body inside operator station while machine is moving.
- The machine can be used only indoors.
- The machine must be stored only indoors.
- Do not allow the machine to be used as a toy.
- The machine is not designed to tow or be towed.
- Never rest objects of any significant weight on the machine, for whatever reason.
- Never obstruct the air inlet and release vents.
- Never remove, modify or circumvent safety devices.
- The machine has been designed for use with detergents

supplied or recommended by the manufacturer. The use of other detergents or chemicals may jeopardise the safety of the appliance.

- When using floor cleaning products, follow the instructions and warnings on the labels of the bottles.
- Do not use detergents that may produce dangerous reactions, vapours, heat, etc.
- During use, atomized spray may form. Inhaling this atomized spray can be harmful to health.
- Work providers must conduct a risk assessment in order to specify the necessary protective measures relating to the formation of atomized sprays, depending on the surface being cleaned and the environment. Masks with class FFP2 or equivalent or higher protection are suitable for protecting against the inhalation of atomized spray.
- Keep hands away from moving parts.
- In the case of malfunction and/or faulty operation, turn the machine off immediately (disconnect from the batteries/ mains power supply) and do not tamper with it; contact a service centre approved by the manufacturer.
- The machine is designed to operate in temperatures between +4°C / 39.2°F and +40°C / 104°F. It can be stored in temperatures between +0°C / 32°F and +50°C / 122°F when not in use.
- The machine is designed to operate at relative humidity levels between 30% and 95%.
- The machine can operate at altitudes up to 2000 m / 6561.68 ft maximum.
- Do not use the machine to clean surfaces on slopes or gradients steeper than indicated on the data plate.
- Do not operate the machine on slopes or gradients steeper than indicated on the data plate.
- When using the machine on gentle gradients, do not move transversely across the slope, but keep the machine on a line parallel to the direction of the incline, manoeuvring carefully and without making U-turns.
- The machine must not be used by persons (including children) with diminished physical, sensory or mental capabilities, or lack of experience and knowledge, unless they are supervised by a person responsible for their safety and have received instruction in the use of the machine.
- Never use the machine to transport people or goods or for towing.
- Do not wear jewellery, watches, ties or other items.
- The operator must always use Personal Protective Equip-

ment: protective apron or overalls, non-slip waterproof shoes, rubber gloves, protective eyewear and ear defenders, and mask for protection of the respiratory airways.

Before leaving the machine or before maintenance:

- Park the machine on a flat, level surface.
- Turn off the machine and remove the ignition key.

When performing maintenance:

- All operations must be carried out in conditions guaranteeing adequate visibility and lighting.
- Isolate the machine from its power source by disconnecting the batteries.
- The operator must always use Personal Protective Equipment: protective apron or overalls, non-slip waterproof shoes, rubber gloves, protective eyewear and ear defenders, and mask for protection of the respiratory airways.
- Do not wear jewellery, watches, ties or other items.
- Do not push or tow the machine without an operator sitting in the driving seat and able to control the steering wheel.
- Protect the batteries from impurities such as metal dust.
- Take care when handling battery acid, and avoid contact. In the event of battery fluid leakage, do not touch the fluid and observe the following precautions: Contact with the skin can cause irritation; wash with soap and water. Inhalation of vapours can cause irritation to the airways; stay out in the open air and consult a doctor. Contact with the eyes can cause irritation; wash the eyes immediately, flooding with water for at least 15 minutes, and consult a doctor.
- Never rest tools on the batteries as they could cause short circuits leading to explosions.
- Always use the battery charger accompanying the machine (if supplied), or if not, a product with specifications as recommended in the technical data.
- Installation of the battery should be entrusted to a TENNANT approved service technician.
- Inspect the power cable of the battery charger periodically to ensure that it is not damaged; in the event of damage being discovered, the appliance cannot be used. Replacement of the cable should be entrusted to a TENNANT approved service technician. Detach both connections of the battery charger (AC side and DC side).
- Do not tug at the battery charger cable to disconnect it from the socket: grip the plug firmly and pull.
- Never wash the machine with water jets.
- Cleaning and maintenance operations that can be performed by the user must not be entrusted to children unless under supervision.
- All repairs must be carried out by a TENNANT approved service technician.
- Use only original accessories and spare parts supplied exclusively by the manufacturer, as only these are able to

guarantee safe and troublefree operation of the machine.

- Never use parts removed from other machines or from other kits.

When the machine is to be loaded onto or unloaded from a vehicle:

- Empty the tanks before loading the machine.
- Raise the scrub head and remove the squeegee from the machine.
- Do not drive the machine on a slippery ramp.
- Take particular care when operating the machine on ramps.
- Turn off the machine and remove the ignition key.
- Lock the wheels of the machine.
- Use straps to anchor the machine.

KEEP THESE INSTRUCTIONS SAFE.

SAFETY SYMBOLS

	<p>WARNING! RISK OF CUTTING</p>
	<p>WARNING! RISK OF ABRASION</p>
	<p>MAXIMUM SLOPE</p>
	<p>OPERATOR MANUAL, INSTRUCTIONS FOR USE</p>
	<p>READ THE OPERATOR'S MANUAL</p>
	<p>DIRECT CURRENT SYMBOL</p>
	<p>INSULATION CLASS: THIS CLASSIFICATION ONLY APPLIES TO BATTERY POWERED MACHINES.</p>
	<p>EXTERNAL BATTERY CHARGER CONNECTION POINT.</p>
	<p>LIFTING POINTS ON THE MACHINE.</p>
<div style="border: 1px solid black; padding: 5px;"> <p style="text-align: center;">▲ WARNING</p> <p>TO REDUCE THE RISK OF FIRE, EXPLOSION, ELECTRICAL SHOCK OR INJURY:</p> <ul style="list-style-type: none"> • Read manual before operating machine. • Do not use outdoors. • Do not use on wet or flammable materials. • Do not use near flammable liquids, vapors or combustible dusts. • Keep sparks and open flame away from batteries. • Do not charge batteries with damaged cord. • Remove battery before servicing machine. <p style="text-align: center;">▲ AVERTISSEMENT</p> <p>POUR RÉDUIRE LES RISQUES D'INCENDIE, L'EXPLOSION, DE CHOC ÉLECTRIQUE OU DE LÈSURE:</p> <ul style="list-style-type: none"> • Lire le manuel avant d'utiliser la machine. • Ne pas utiliser en extérieur. • Éviter d'utiliser sur des matériaux inflammables. • Ne pas utiliser à proximité de liquides, vapeurs ou poussières combustibles inflammables. • Éloigner les étincelles et les flammes nues des batteries. • Ne chargez pas les batteries avec un cordon endommagé. • Retirez la batterie avant de l'entretenir la machine. <p style="text-align: center;">▲ ADVERTENCIA</p> <p>PARA REDUCIR EL RIESGO DE INCENDIO, EXPLOSION, CHOQUE ELÉCTRICO, O LESIONES:</p> <ul style="list-style-type: none"> • Lea el manual antes de utilizar la máquina. • No utilizar en exteriores. • Alejarse de materiales inflamables. • No utilizar cerca de líquidos inflamables, vapores o polvo combustible. • Mantenga las chispas y las flamas alejadas lejos de las baterías. • No cargue las baterías si el cable está dañado. • Retire la batería antes de reparar la máquina. <p style="text-align: right; font-size: small;">E100117000</p> </div>	<p>SAFETY LABEL. THE SAFETY LABEL IS MOUNTED ON THE MACHINE IN THE LOCATION INDICATED. REPLACE THE LABEL IF BECOMES DAMAGED OR ILLEGIBLE.</p>

TECHNICAL SPECIFICATIONS

			90cm Disk	75cm Cylindrical Brush
Cleaning width		mm	920	750
		inch	36.22	29.52
Squeegee width		mm	1100	1010
		inch	43.3	39.76
Cleaning capacity per hour		m ² /h	5300	4300
		ft ² /h	57048.72	46284.81
Number of brushes		no.	2	2
Brush diameter		mm	460	150x750
		inch	18.11	5.9x29.52
Maximum brush pressure		kg	100	50
		lbs	220.46	110.23
Brush rotation speed		rpm	200	1000
Brush motor power		W	400x2	1000
		HP	0.53x2	1.34
Drive motor power		W	560	560
		HP	0.75	0.75
Suction motor power		W	672	672
		HP	0.9	0.9
Machine power (P _M)		W	2592	2592
		HP	3.47	3.47
Maximum speed		km/h	6	6
		mph	3.72	3.72
Solution tank		l	125	125
		gal	33.02	33.02
Dirty water tank		l	135	135
		gal	35.66	35.66
Front wheel diameter		mm	300	300
		inch	11.81	11.81
Rear wheel diameter		mm	300	300
		inch	11.81	11.81
Negotiable gradient			16% / 9°	16% / 9°
Gross weight (GVW) with heaviest battery		kg	917	936
		lbs	2021.64	2063.53
Weight of the machine in transit without batteries		kg	292	300
		lbs	643.75	661.39
Weight of the machine in transit with heaviest battery		kg	707	715
		lbs	1558.67	1576.31
Machine voltage V _M		V	36	36
Number of batteries	GEL/AGM	no.	6	6
Individual battery capacity		Ah (20h)	350	350
Individual battery weight		kg	48,2	48,2
	lbs	106.3	106.3	
Number of batteries	WET-ACID	no.	6	6
Individual battery capacity		Ah (20h)	360	360
Individual battery weight		kg	44,5	44,5
	lbs	98	98	
Supply voltage (battery recharge)		V	36 dc	36 dc
Max current (battery recharge)		A	40	40
Machine dimensions		mm X Y Z	1720 1100 1360	1810 1050 1360
		inch X Y Z	67.71 43.3 53.54	71.25 41.33 53.54

Battery compartment dimensions (length, width, height)	mm	620 530 440	620 530 440
	inch	24.4 20.86 17.32	24.4 20.86 17.32
Machine dimensions without squeegee (length, width, height)	mm	2000 1280 1670	2000 1280 1670
	inch	78.74 50.39 65.74	78.74 50.39 65.74
Sound pressure - Annex DD (Emission of acoustical noise) EN 60335-2-72: 2012	LpA (dBA)	72	72
Measurement uncertainty	K (dBA)	3	3
Vibration level (hand) - IEC 60335-2-72	ahv m/sec ²	≤2,5	≤2,5
Vibration level (body) - IEC 60335-2-72	HBV m/sec ²	≤0,5	≤0,5
Maximum water and detergent temperature	°C	55	55
IP degree	IP	IPX3	IPX3

Gross weight (GVW): maximum permissible weight with the machine fully loaded and ready for use. The gross weight of the machine includes the detergent solution tank full of clean water, empty dirty water tank, empty dust bags, the hopper filled to its rated capacity, the largest recommended batteries and all accessories such as cables, hoses, detergent, mops and brushes.

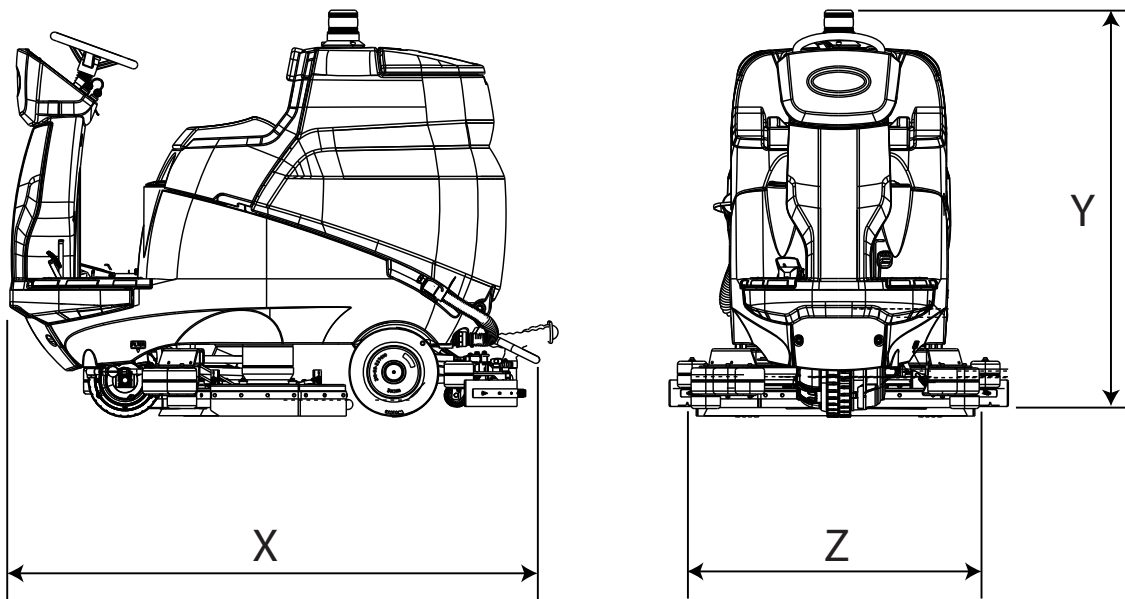
Transported weight: the weight of the machine including batteries, but excluding optionals (for example, the operator's cabin, FOPS (Falling Object Protective Structure), second and third side brushes and front brush attachment), fresh water (in the case of scrubbers or combination machines) and the weight of a standard operator (75 kg).

Data subject to changes without prior warning

V, I: charging / supply values

V_M , P_M : machine in average operating conditions (all functions active)

MACHINE DIMENSIONS



X-Y-Z: See "TECHNICAL SPECIFICATIONS" table

GENERAL INFORMATION

Purpose of this manual

This manual has been written by the Manufacturer and is an integral part of the [machine](#)¹. It defines the purpose for which the machine has been designed and constructed and contains all the information required by [operators](#)².

In addition to this manual, which contains information for operators, other publications are available providing specific information for [maintenance personnel](#)³.

The terms “right” and “left”, “clockwise” and “anti-clockwise” refer to the forward movement of the machine.

Constant compliance with the instructions provided in this manual guarantees the safety of the operator and the machine, ensures low running costs and high quality results and extends the working life of the machine. Failure to follow these instructions may lead to injury to the operator or damage to the machine, floor and environment.

Consult the table of contents at the beginning of the manual to find the section of interest without delay.

Although your machine may differ appreciably from the illustrations in this document, the correctness and validity of the instructions contained in this manual are guaranteed.

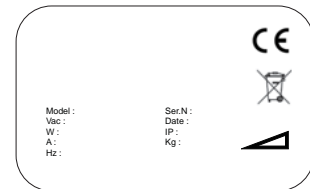
Identifying the machine

The nameplate provides the following information:

- Name of manufacturer.
- Model.
- Serial number.
- Year of manufacture.
- Power supply voltage (charging/supply value).
- Current intensity (maximum charge level, in line as far as possible with the value indicated by the battery manufacturer).
- Gross weight.
- IP degree of protection.
- Machine voltage (in average operating conditions).
- Machine power (in average operating conditions).
- Maximum negotiable gradient.

Documentation provided with the machine

- User manual;
- Warranty Reply Card;
- Quick Guide;
- Machine battery selection setting instructions;



¹ The definition "machine" replaces the trade name covered by this manual.

² Persons responsible for using the machine without performing any operations requiring precise technical skills.

³ Persons with experience, technical training and a knowledge of legislation and standards, able to perform all the necessary operations and to recognise and avoid possible risks in handling, installation, use and maintenance of this machine.

TECHNICAL INFORMATION

General description

This machine is a scrubber dryer for washing and drying flat, horizontal, smooth or moderately rough, even and obstacle free floors in civil and industrial premises.

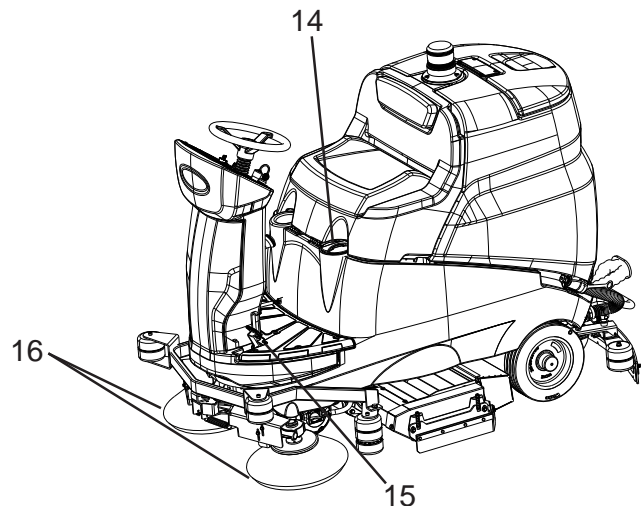
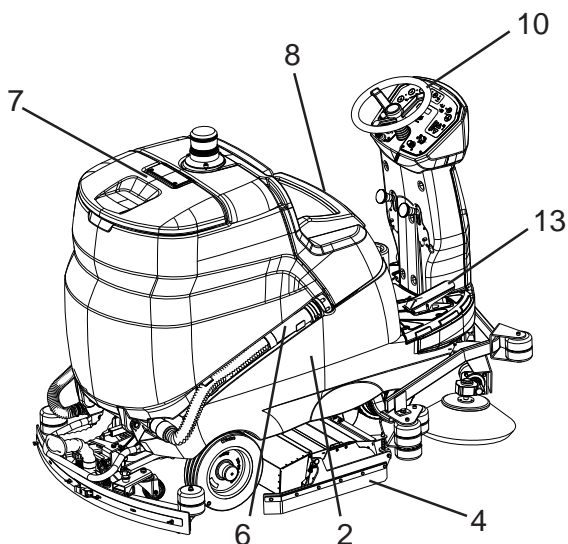
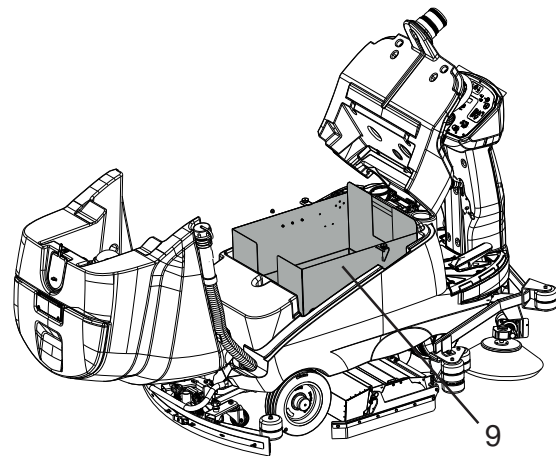
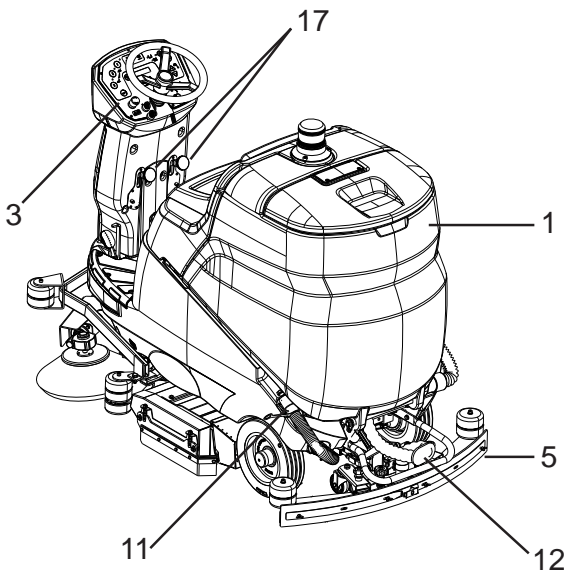
The scrubber dryer spreads a solution of water and detergent in the correct concentration on the floor and then scrubs it to remove the dirt. By carefully choosing the detergent and brushes (or abrasive disks) from the wide range of accessories available, the machine can be adapted to a wide range of combinations of types of floor and dirt.

The machine incorporates a wet vacuuming system which dries the floor immediately after washing. The drying action is produced by the suction motor, which generates a partial vacuum in the dirty water tank. The squeegee is connected to the tank, and collects the dirty water.

Main parts of the machine

The main parts of the machine are listed below:

1. Dirty water tank.
2. Solution tank.
3. Control panel.
4. Head assembly.
5. Squeegee.
6. Dirty water tank drain hose.
7. Dirty water tank lid.
8. Driver seat.
9. Battery compartment.
10. Steering wheel.
11. Solution tank drain hose.
12. Squeegee hose.
13. Accelerator pedal.
14. Solution tank filler.
15. Service and parking brake pedal.
16. Side brushes (Cylindrical Brush model).
17. Side brushes operating levers (Cylindrical Brush model).



Control panel

The machine has the following controls and indicator lights:

18. Attach/release brush button (disk brushes only) that enables the automatic brush attachment or release.
19. Main switch/ignition switch: connects and disconnects electrical power to and from all functions of the machine.
20. Emergency stop button: acts as a safety device.
21. Speed potentiometer: regulates the maximum speed of the machine forwards and backwards.
22. Direction selector switch, to set movement of the machine to forwards or reverse.
23. Buttons “+” and “-”, pressing these buttons determines the amount of flow delivered.
24. Display, showing: Battery voltage (Volt), Alarm codes and Hour counter.
25. Horn button.
26. Suction button: enables/disables the suction motor.
27. Brush button: enables/disables operation of the brush head.
28. Detergent tank level indicator: the LED comes on when there is no longer sufficient water in the detergent tank.
29. Dirty water tank level indicator: when the dirty water tank is full, the LED comes on.

30. Work program buttons (AUTOMATIC MACHINE OPERATION): buttons used to set the machine's work program:

- 1, light intensity cleaning program for smooth floors, not excessively soiled.
- 2, medium intensity cleaning program for smooth floors, noticeably soiled.
- 3, high intensity cleaning program for rough floors (cement, etc.) soiled with stubborn dirt.

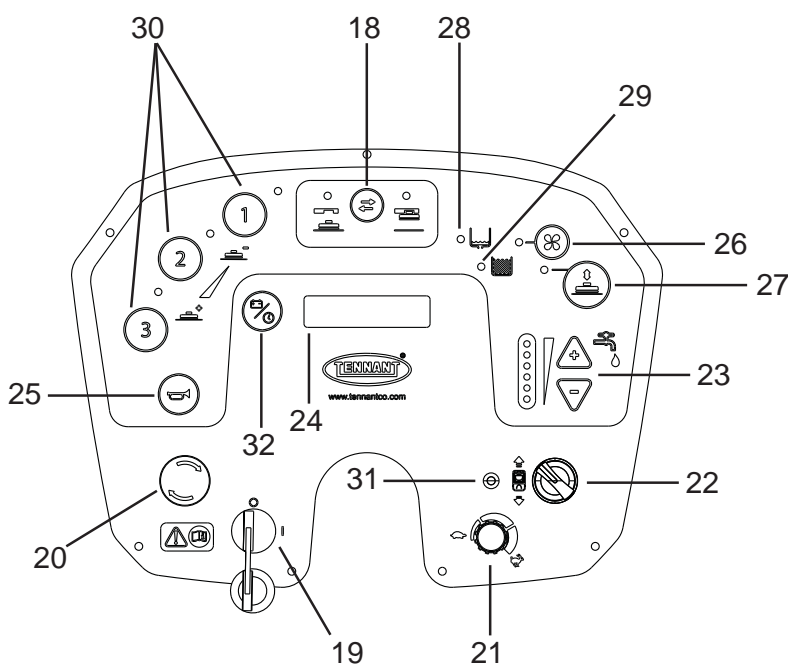
31. Drive wheel LED status indicator.

32. Programming button: press this button to scroll the parameters that can be set in the machine's software.

Accessories

See Recommended Spare Parts List

- Bristle brushes/rollers: for washing delicate floors and polishing.
- Polypropylene brushes/rollers: for normal floor washing.
- Tynex brushes/rollers: for removing accumulated stubborn dirt on rugged floors.
- Pad Holder Disk: This enables the use of the various cleaning pad types.
- WET and GEL Batteries.
- Off-Board Battery Chargers.



HANDLING AND INSTALLATION

Lifting and transporting the palletized machine

! ATTENTION: during all lifting operations, make sure the palletized machine is firmly secured to prevent it tipping over or being accidentally dropped. The machine must be loaded onto/unloaded from vehicles in areas with adequate lighting.

The machine is packaged on a wooden pallet by the Manufacturer. It must be loaded on to the transporting vehicle using suitable equipment (see Directive 2006/42/EEC and subsequent amendments and/or additions). At destination, it must be unloaded using similar means. The palletized body of the machine can be lifted only with the aid of a fork lift truck. Handle with care to avoid impact and ensure the machine is not overturned.

Inspection on delivery

When the carrier delivers the machine, make sure the packaging and machine are both whole and undamaged. If the machine is damaged, make sure the carrier is aware of the damage and before accepting the goods, reserve the right (in writing) to request compensation for the damage.

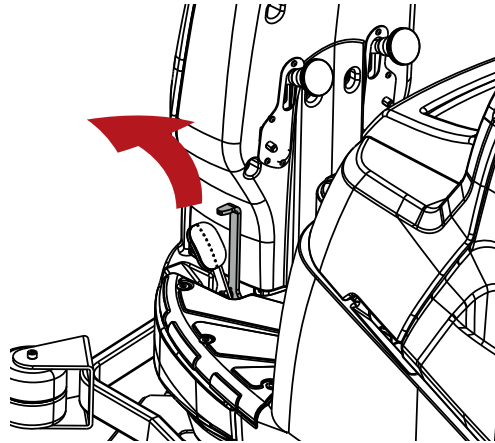
Unpacking

! DANGER: when unpacking the machine, the operator must wear suitable Personal Protection Equipment (gloves, eyewear, etc.) to limit the risk of injury.

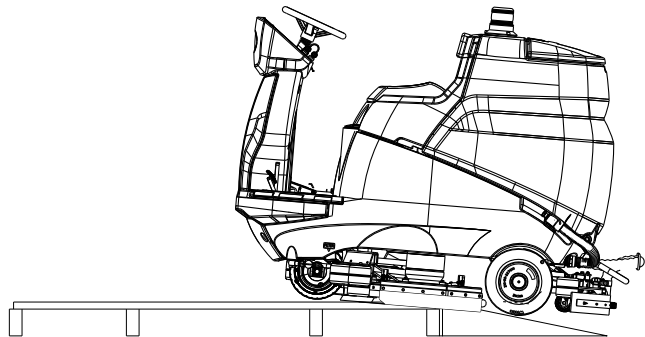
When unpacking the machine, proceed as follows:

- Cut and remove the plastic straps using scissors or nippers;
- Remove the cardboard packaging;
- Remove the bags placed inside the battery compartment and check the contents: user manual; Warranty Reply Card; quick guide; instructions for setting up the battery type on the machine; battery bridges with terminals; 1 x connector for battery charger; 2 x hex wrench;
- Remove the metal brackets securing the front/rear wheels and the machine chassis to the pallet base.

- Release the parking brake by pressing the lever next to the pedal
- Before unpacking the machine, check that the head assembly is raised.



- Using a ramp, push the machine off the pallet in the reversing direction. The machine must not be lifted.



- Unpack the brushes from their packaging.
- Clean the outside of the machine, taking care to observe safety regulations.

Once the machine is clear of the packaging, proceed to install the batteries (refer to section "**Batteries: installation and connection**").

The various items of packaging can be kept, if so desired, as these can be reused to protect the machine in the event of it being moved to a different site or sent to a repair workshop.

If not retained, the packaging must be disposed of in compliance with current regulations.

Batteries

! ATTENTION: do not use NON-rechargeable batteries

Two different types of battery can be installed on these machines:

Leak-proof tubular batteries (WET): the electrolyte level must be checked regularly.

GEL or AGM batteries: this type of battery requires no maintenance.

The technical specifications of the battery must correspond to those listed in the section on the **“Technical specifications”** of the machine. The use of heavier batteries could seriously jeopardize manoeuvrability and lead to the drive motor overheating. Lighter batteries of lower capacity, on the other hand, will need to be charged more frequently.

Machine Battery Selection Setting

! ATTENTION: where machines are shipped without batteries, the machine is factory set for wet lead-acid batteries as the default configuration.

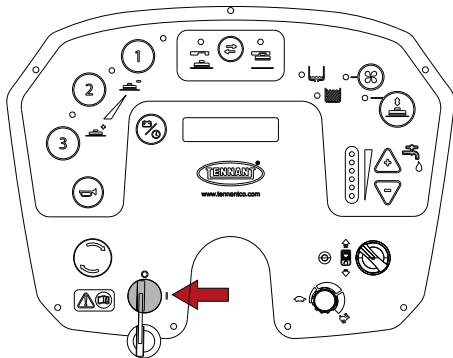
Depending on the type of battery selected (wet lead-acid or sealed gel / AGM), the battery parameters of the machine **MUST** be adjusted if different from the factory setting.

! NOTICE

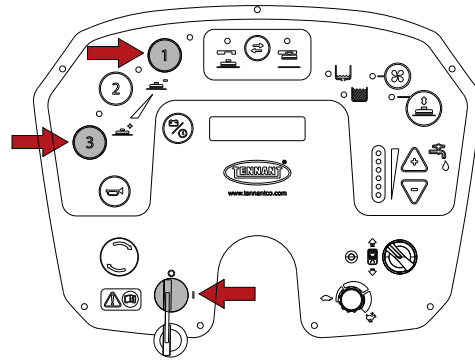
Enter the type of battery installed in the machine software settings.

Follow the instructions below to adjust the machine logic settings for the type of battery installed.

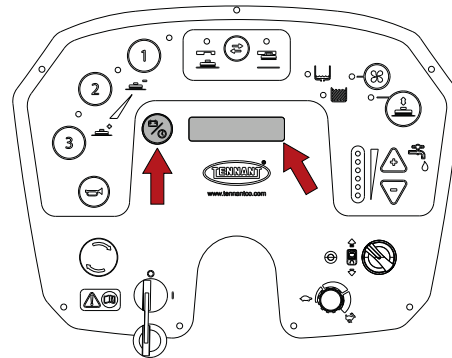
- Turn the ignition key to switch the machine off.



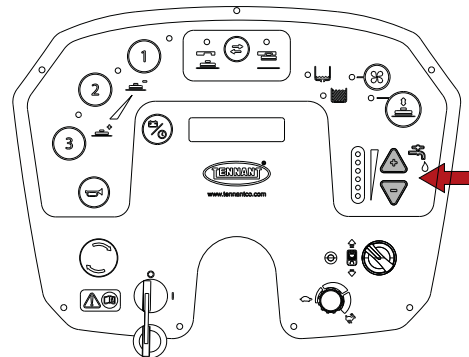
- Press buttons “1 and 3” at the same time, then switch the machine on by turning the ignition key.



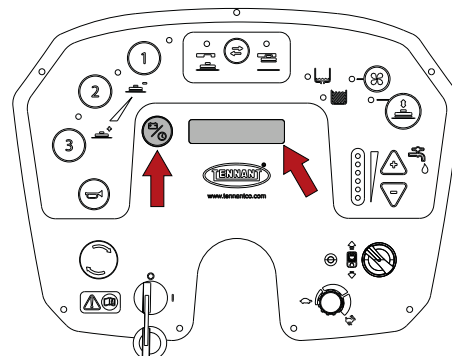
- Press the programming button three times, the message “GEL battery” will appear on the display.



- Select the type of batteries installed using the “+” or “-” button: “ACID battery” or “GEL battery”.



- Store the parameter by pressing and holding the programming button until the display shows the battery voltage value.



WET batteries, preparation:



! DANGER: The installation and connection/removal of the batteries must be entrusted to a TENNANT-approved service technician (referred to hereinafter as skilled technician).



! DANGER: during installation of the batteries or any type of battery maintenance, the skilled technician must wear the Personal Protective Equipment (gloves, eyewear, overalls, etc.) needed to limit the risk of accidents. Keep away from naked flames, do not short circuit the battery poles, do not generate sparks and do not smoke.



! DANGER: in the event of battery fluid leakage, do not touch the fluid and observe the following precautions:
Contact with the skin can cause irritation; wash with soap and water.
Inhalation of vapours can cause irritation to the airways; stay out in the open air and consult a doctor.
Contact with eyes can cause irritation, wash eyes immediately and thoroughly with water for at least 15 minutes; consult a doctor.

Batteries: installation and connection



! DANGER: during installation of the batteries or any type of battery maintenance, the skilled technician must be provided with the necessary personal protection devices (gloves, goggles, overalls, etc.) to limit the risk of accidents. Keep away from naked flames, do not short circuit the battery poles, do not generate sparks and do not smoke.



! DANGER: in the event of battery fluid leakage, do not touch the fluid and observe the following precautions:
Contact with the skin can cause irritation; wash with soap and water.
Inhalation of vapours can cause irritation to the airways; stay out in the open air and consult a doctor.
Contact with eyes may cause irritation, wash eyes immediately and thoroughly with water for at least 15 minutes; consult a doctor.

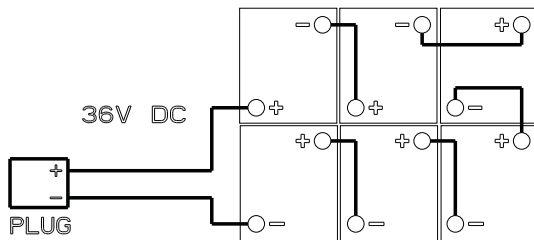
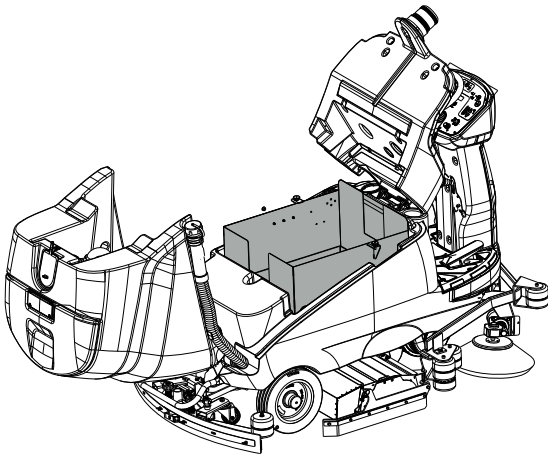
! ATTENTION: the operation of installing and connecting the batteries must be carried out by qualified personnel.

! ATTENTION: before carrying out the operations described below, stop on a flat and level surface, switch off the machine, remove the ignition key and apply the parking brake.



! DANGER: make certain the terminals marked with the “+” symbol are connected to the positive poles of the battery. Do not check the battery charge by sparking.

Tilt the seat forward and the tank backwards, then place the batteries in the compartment, positioning them as indicated by the drawing on the battery box. Connect the wiring terminals to the battery poles, tighten and cover with Vaseline. Close the tank into the working position. When using the machine, follow the instructions below.



Selection of battery charger

! ATTENTION: check that the battery charger is compatible with the batteries being charged.

Tubular lead-acid (wet) batteries: an electronic battery charger is recommended. In any event, contact the manufacturer and consult the manual to confirm that the external battery charger is suitable.

Gel or AGM batteries: use a charger intended specifically for this type of battery.

Preparing the battery charger

! ATTENTION: authorized service technician required to perform this procedure.

When using a battery charger not provided with the machine, it must be fitted with the connector included in the machine equipment package.

The connector supplied for the external battery charger is suitable for cables with maximum cross-section 16 mm².

Proceed as follows to fit the connector:

remove around 13 mm of the protective sheath from the red and black conductors of the battery charger cable;

attach the ends to the contacts of the connector and squeeze forcibly with suitable crimping pliers;

make certain the polarity is correct (red + black -) when attaching the wires to the connector.

Battery charger settings

! ATTENTION: where machines are shipped without batteries, the machine is factory set for wet lead-acid batteries as the default configuration.

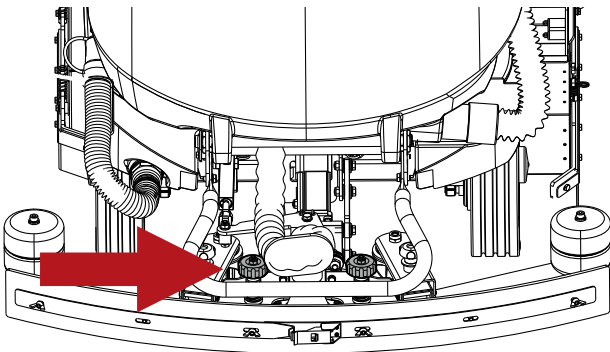
Depending on the type of batteries installed, make sure the battery charger is properly set.

Failure to observe these instructions could result in damage to the battery. Depending on the type of battery selected (wet lead-acid or sealed gel / AGM), the battery parameters of the machine **MUST** be adjusted if different from the factory setting. For directions, see the section "Batteries".

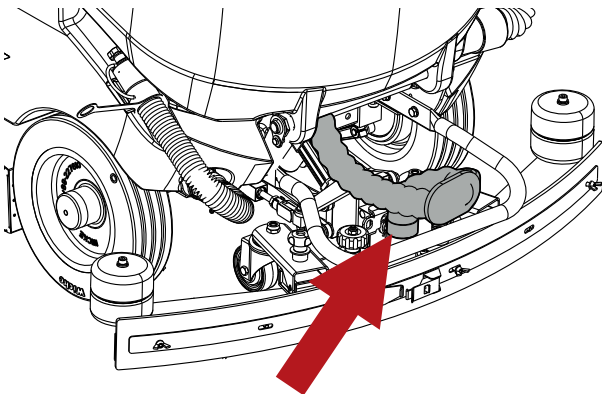
Fitting the squeegee

! ATTENTION: before carrying out the operations described below, stop on a flat and level surface, switch off the machine, remove the ignition key and apply the parking brake.

- Loosen the two knobs.
- Locate the two threaded pins in the slots on the support.



- Connect the suction hose to the squeegee, bending it to the position as illustrated.
- Tighten the two knobs.



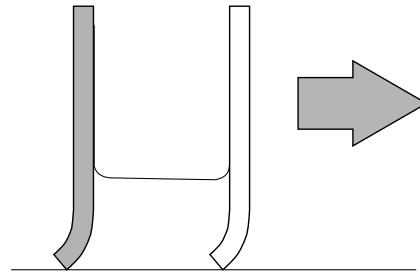
The position of the squeegee is factory-set. Should the squeegee blade require adjustment, refer to the section "Squeegee adjustment".

Squeegee adjustment

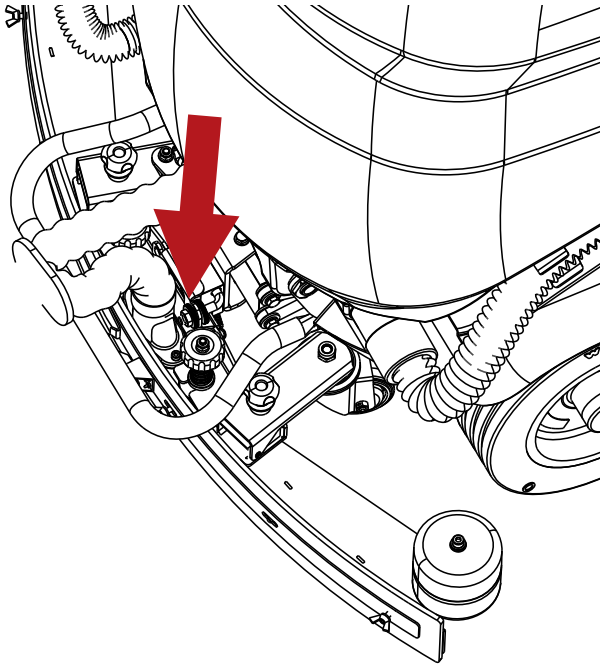
! ATTENTION: before carrying out the operations described below, stop on a flat and level surface, switch off the machine, remove the ignition key and apply the parking brake.

The squeegee blades scrape the film of water and detergent from the floor and prepare the way for perfect drying. With time, and the constant wiping action, the edge of the blade in contact with the floor becomes rounded and cracked, diminishing its drying efficiency, so that ultimately a new blade is required. The state of wear should be checked frequently.

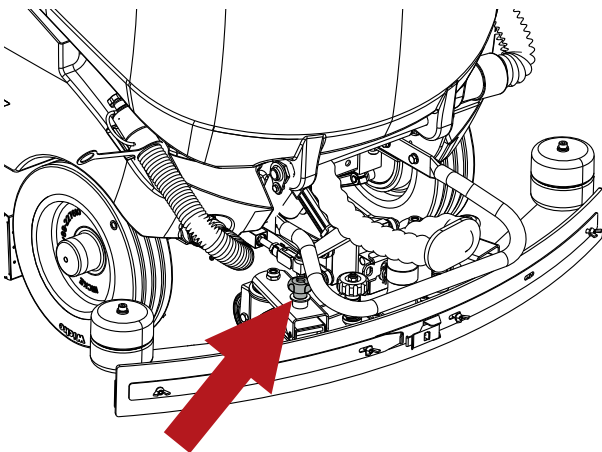
To ensure faultless drying, the squeegee must be adjusted as illustrated, in such a way that the edge of the rear blade deflects during operation by about 45° relative to the floor, at all points along its length.



The angle of the blades can be adjusted by turning the knob positioned above the squeegee.



Similarly, the height of the squeegee can be adjusted by raising or lowering the two wheels positioned in front of / behind the squeegee, turning the relative knobs.



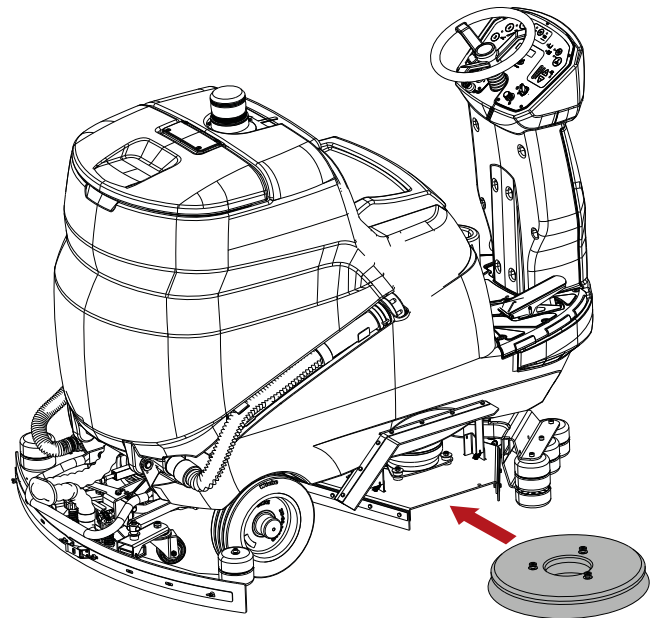
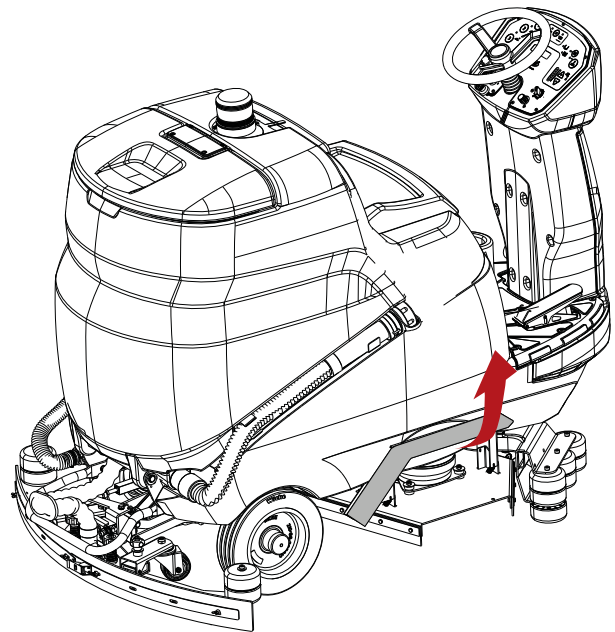
Fitting the Brush/Pad Holder

! ATTENTION: before carrying out the operations described below, stop on a flat and level surface, switch off the machine, remove the ignition key and apply the parking brake.

! ATTENTION: Before installing the Pad Holder on the machine, make sure you have attached the PAD to the Pad Holder

Fitting the brushes (or Pad Holder):

- Raise the access flaps on both sides and position the brushes underneath the housing, making certain that they rest against the locating stops to align them with the coupling assembly.



Fitting the brushes (Cylindrical Brush Model)

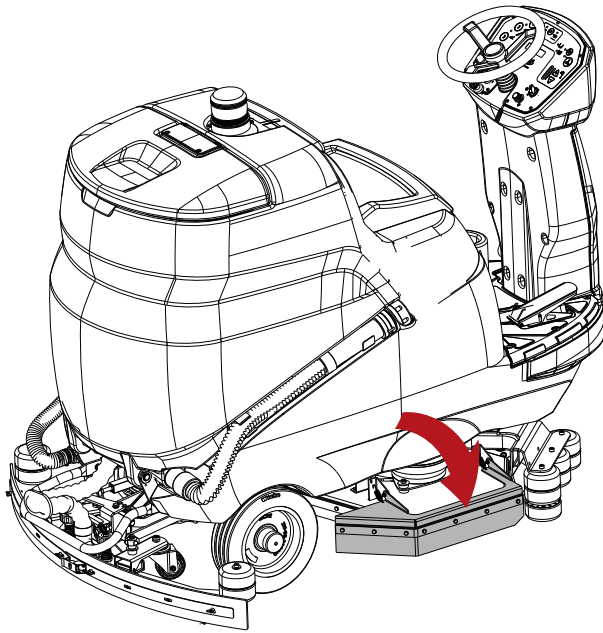
! ATTENTION: before carrying out the operations described below, stop on a flat and level surface, switch off the machine, remove the ignition key and apply the parking brake.

! NOTICE

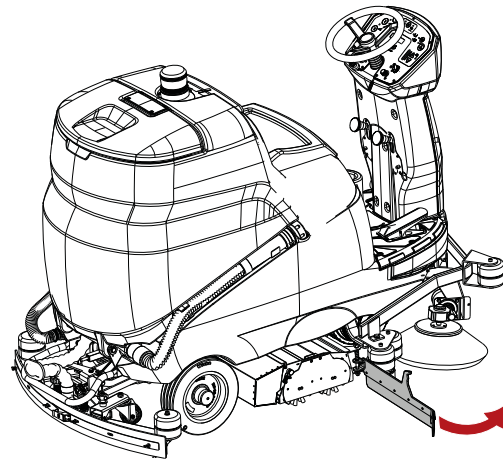
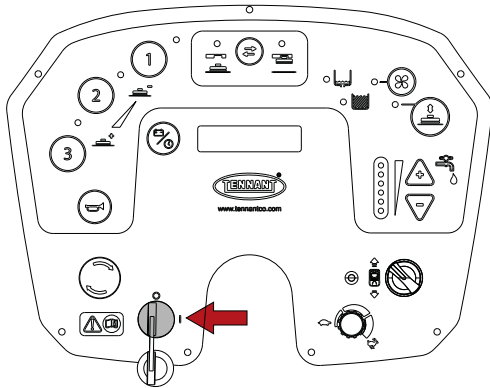
Where the terms **RIGHT** and **LEFT** appear, this is always referred to the forward movement of the machine

Assembly:

- Open the right side flap by releasing the spring.

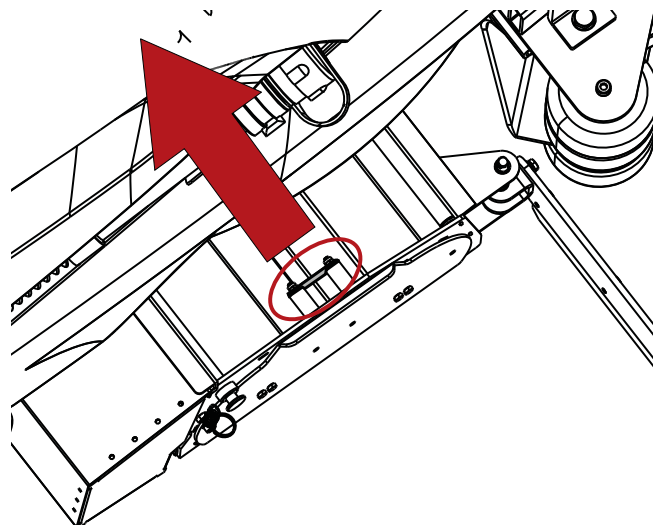


- Turn the ignition key to switch the machine on.



- Remove the cover from the brush compartment by pulling the release lever.

- Press the Attach/release brush button, the machine will first perform a release operation, which immediately enables the coupling operation; now the machine is ready for the coupling step, which can be accomplished by pressing the brush coupling and release button again.



Fitting the side brushes (Cylindrical Brush Model)

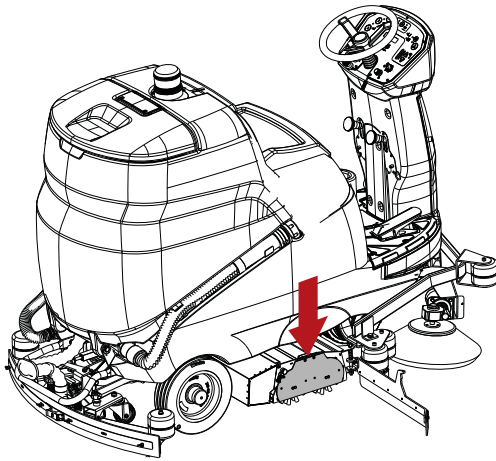
! ATTENTION: before carrying out the operations described below, stop on a flat and level surface, switch off the machine, remove the ignition key and apply the parking brake.

! NOTICE

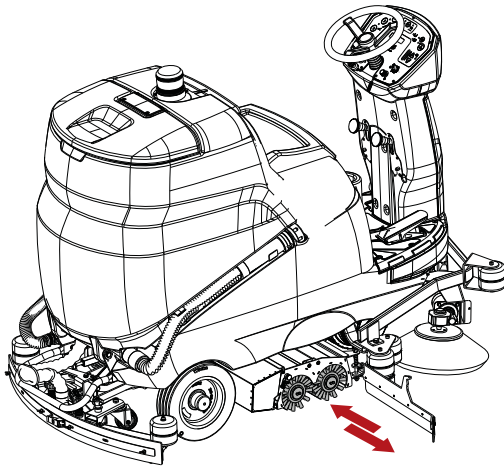
Where the terms **RIGHT** and **LEFT** appear, this is always referred to the forward movement of the machine

Assembly:

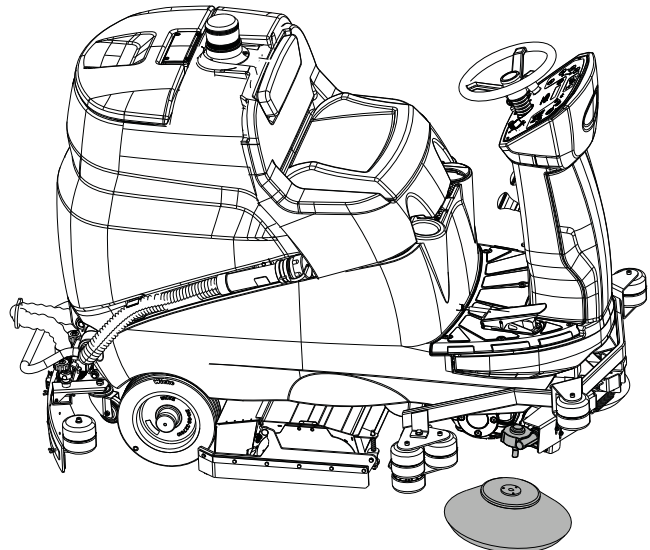
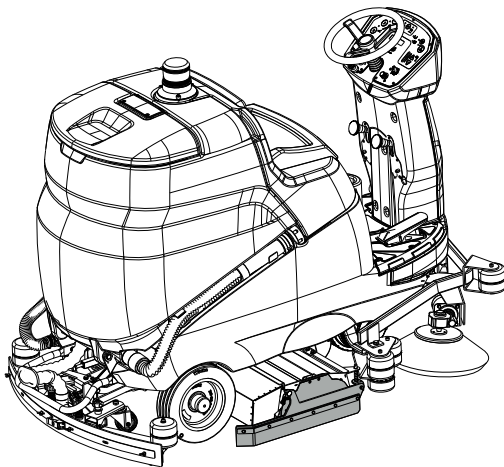
- Undo the screw on the motor shaft.
- Check that the drive key is located in the keyway of the motor shaft.
- Position the brush complete with flange on the motor shaft.
- Retighten the clamp screw.



- Position the roller brushes in the two compartments, making certain that the guide pin on the opposite side is correctly located.



- Refit the cover and close the side flap.



Disassembly:

- Repeat the steps described above in reverse order.

Disassembly:

- Repeat the steps described above in reverse order.

Filling the detergent tank

! ATTENTION: before carrying out the operations described below, stop on a flat and level surface, switch off the machine, remove the ignition key and apply the parking brake.

! DANGER: flammable liquids can be the cause of explosion or fire. Do not introduce flammable liquids into the tank.

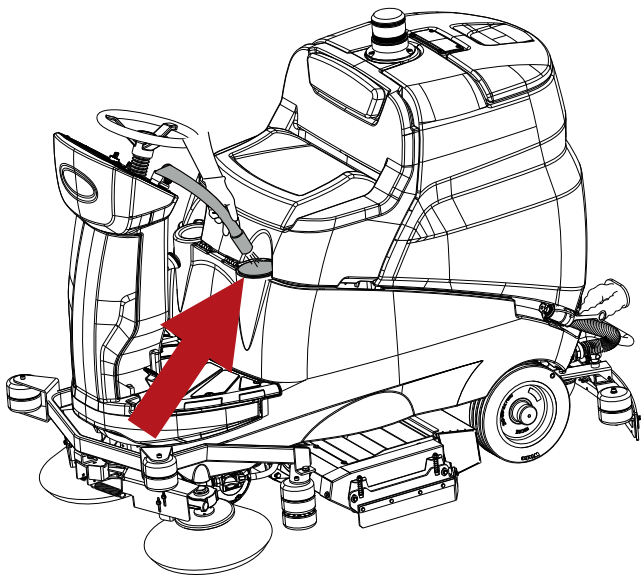
! ATTENTION: fill the tank with detergent at a temperature of between +4°C / 39.2°F and 55°C / 131°F.

! ATTENTION: the machine has been designed for use with detergents supplied or recommended by the Manufacturer. The use of other detergents or chemicals can affect the safety of the machine.

! ATTENTION: the selected detergent should be utilized rationally, in accordance with the directions given on the packaging of the product.

! ATTENTION: select a detergent from the range of recommended products that is most suitable for the washing operation in hand, and dilute with water following the instructions on the pack or in the catalogue.

Fill the tank through the opening provided.



PRACTICAL GUIDE FOR THE OPERATOR

Clothing and equipment

Wear safety shoes with non-slip soles.
Wear protective goggles or visor and safety garments.
Depending on the surface being cleaned and on the environment, the protective measures necessary for atomized sprays include respiratory masks with class FFP2 or equivalent or higher protection.

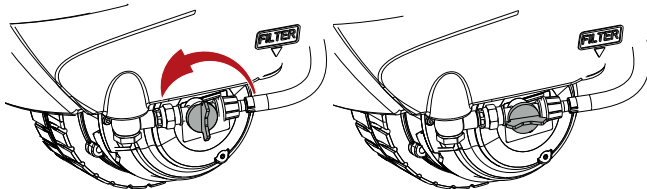
Before starting the machine

Clear away larger items of refuse before washing. Pick up any pieces of wire, tape, string and similar items that could become entangled around the brushes.
Before washing is commenced, sweep the area so as to avoid the appearance of streaks on the floor.

Preparing the machine for work

Proceed as follows before starting work.

- Check that the batteries are fully charged, and if not, carry out the recharging procedure: when undertaking this operation, refer to the section “**Charging the batteries**”.
- Make certain that the dirty water tank is empty, and if not, empty it, referring to the section “**Emptying the dirty water tank**”.
- Make certain that the solution tank is full, and if not, proceed to fill it, referring to the section “**Filling the water/detergent tank**”.
- Make sure the solution flow tap is turned on.



Working

! ATTENTION: do not use the machine without first reading the operating and maintenance manual.

! NOTICE

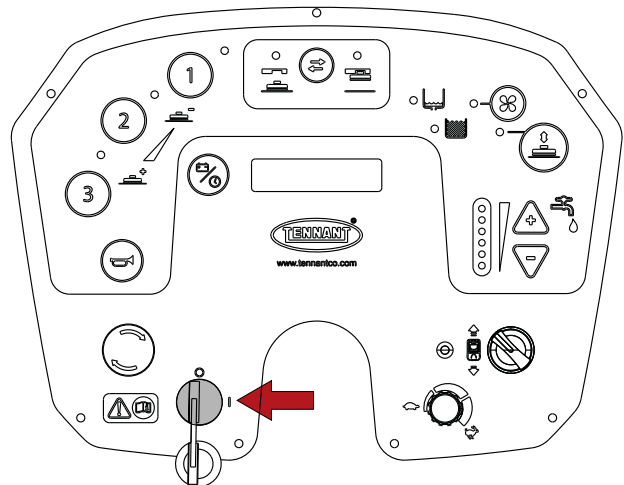
Releasing the accelerator pedal, all of the functions are stopped automatically within 5 seconds (Power Off-On); in this standby condition, the indicator light corresponding to the selected program will blink. To reactivate the functions, simply move the machine forward, without deselecting the program (Power Off-On).

! NOTICE

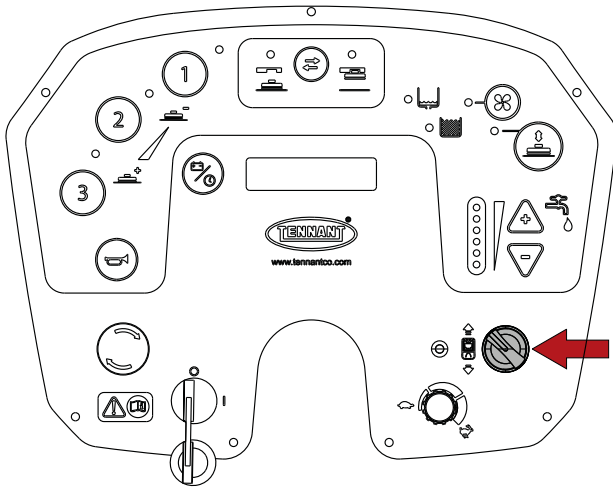
Whenever the machine moves in reverse, the squeegee is raised automatically to prevent any possible damage.

! DANGER: Never use the machine to clean up flammable or explosive liquids (e.g. petrol, fuel oil, etc.), acids or solvents (e.g. paint thinners, acetone etc.) even if diluted.

- Sit on the seat.
- Turn the ignition key to switch the machine on.



- Use the drive selector to select forward drive.



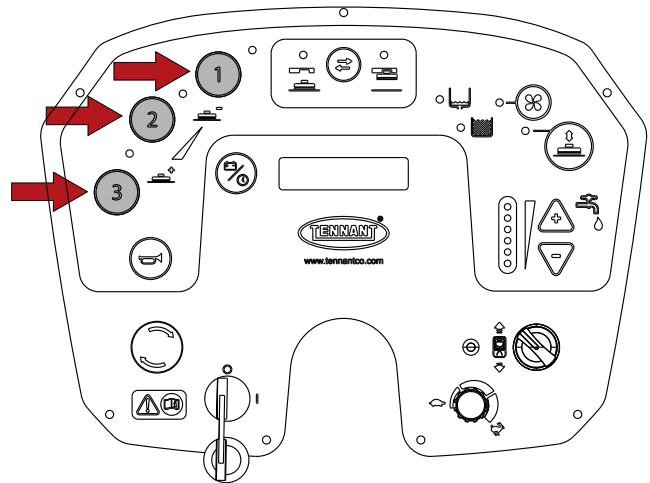
- From the three available programs, select the one most suitable for the work being performed; by pressing these buttons, all of the functions relating to the selected program will be activated (brush motor, suction motor):
 - 1, light intensity cleaning program for smooth floors, not excessively soiled.
 - 2, medium intensity cleaning program for smooth floors, noticeably soiled.
 - 3, high intensity cleaning program for rough floors (cement, etc.) soiled with stubborn dirt.

To change from one program to another, first deselect the existing program, then select the new program.

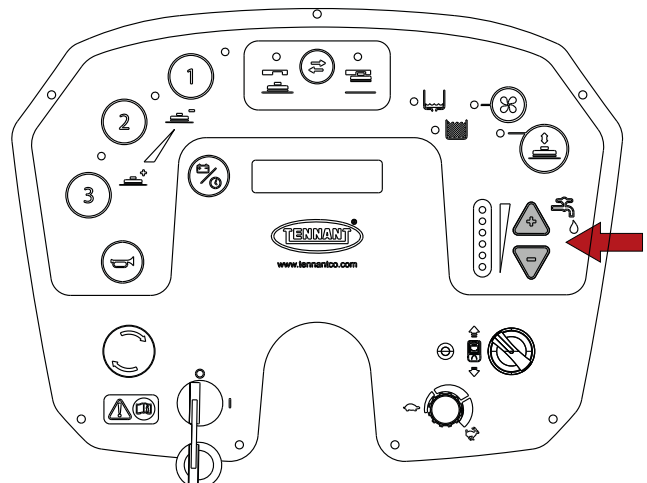
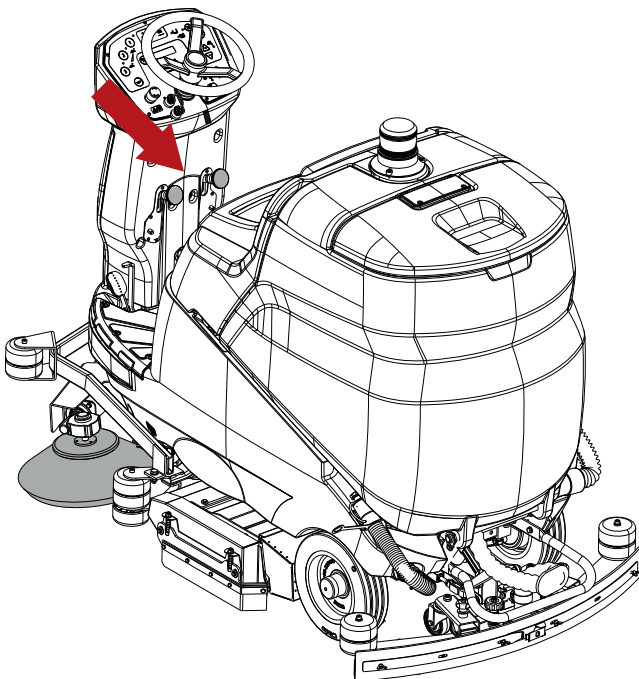
- **Cylindrical Brush Model:** lower the side brushes by pulling and lowering the levers. The brush motors will come into operation only when the brushes are completely lowered.

! NOTICE

A resettable fuse is fitted beneath each of the side brush operating levers. In the event that a side brush should stop working, press the button to reset the fuse.



- Select the most suitable solution flow according to the type of washing operation, using the "+" and "-" buttons; Led indicators will light up to display the quantity.



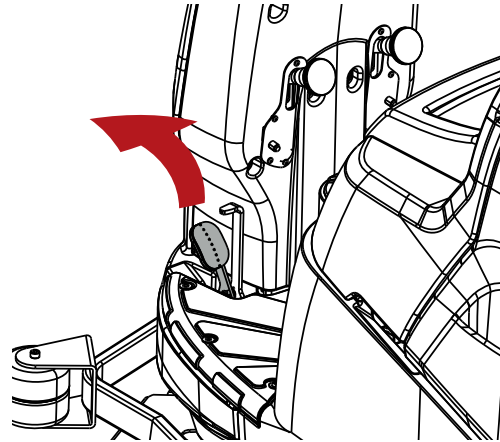
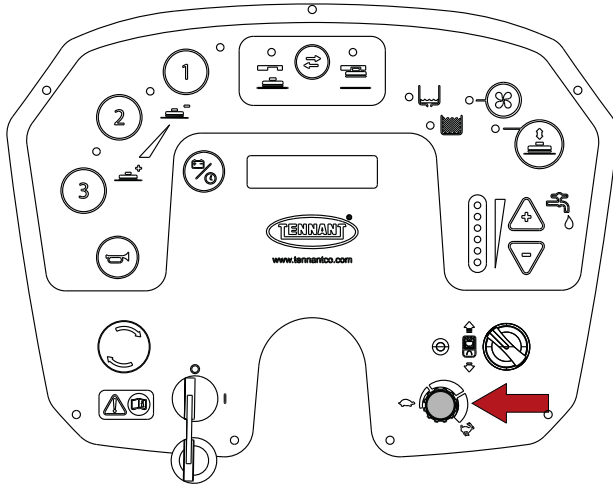
- Start cleaning, turning the steering wheel by hand and depressing the accelerator pedal.

To apply the parking brake, depress the brake pedal fully.

! NOTICE

As a safety feature, the accelerator pedal must be pressed slowly at first to get machine to move.

- The maximum operating speed can be set by turning the speed potentiometer.



To release the parking brake, press the lever next to the pedal.

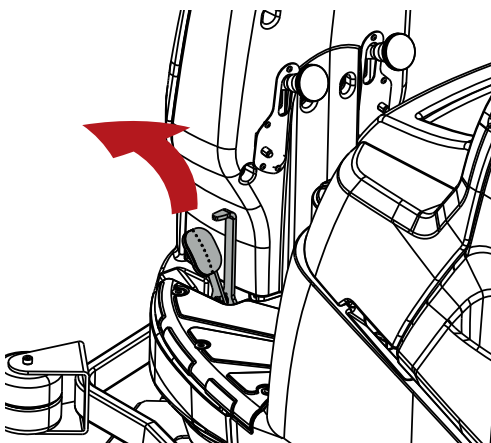
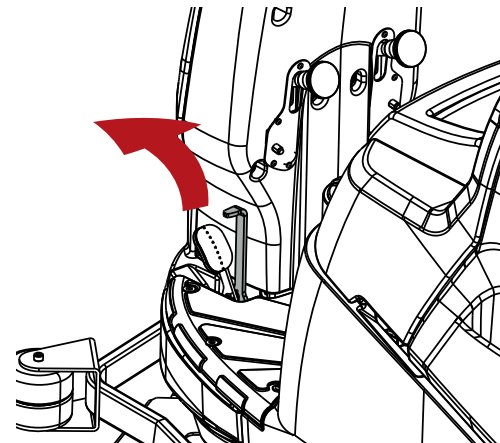
To stop the machine, release the accelerator pedal and depress the brake pedal; refer to the section "Service brake and parking brake".

! NOTICE

Cylindrical Brush Model: when finished cleaning, raise the side brushes.

Service brake and parking brake

To apply the service brake, depress the brake pedal and at the same time operate the parking brake release lever.

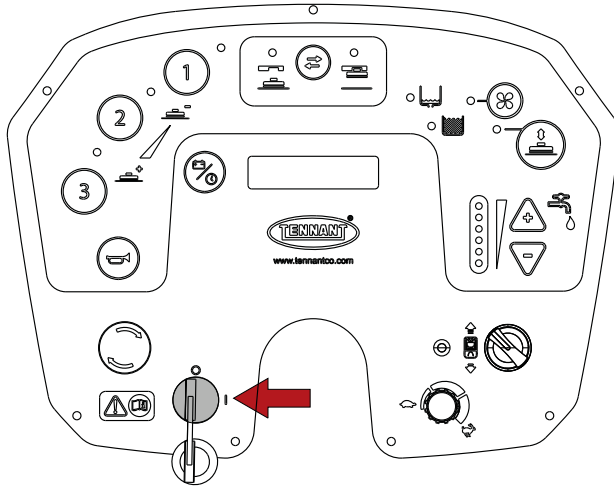


Double Scrubbing

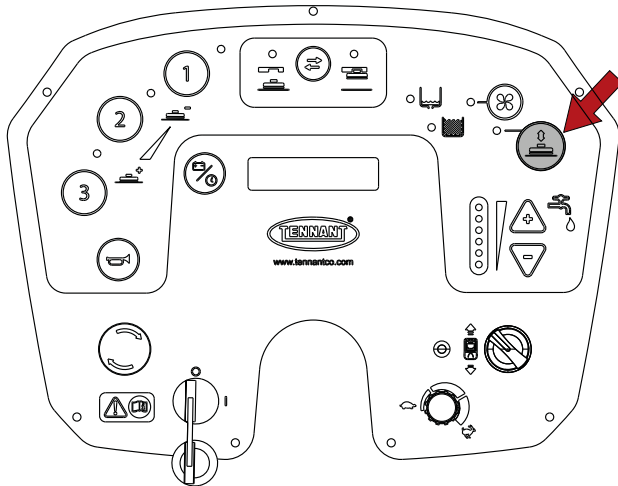
In cases where floors are soiled with particularly stubborn dirt, scrubbing and drying operations can be performed in two separate stages.

Prewash with brushes or pads:

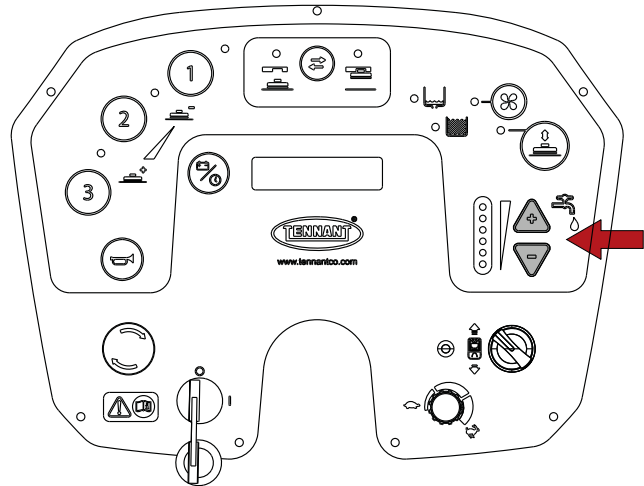
- Turn the ignition key to switch the machine on.



- Press the brush button.



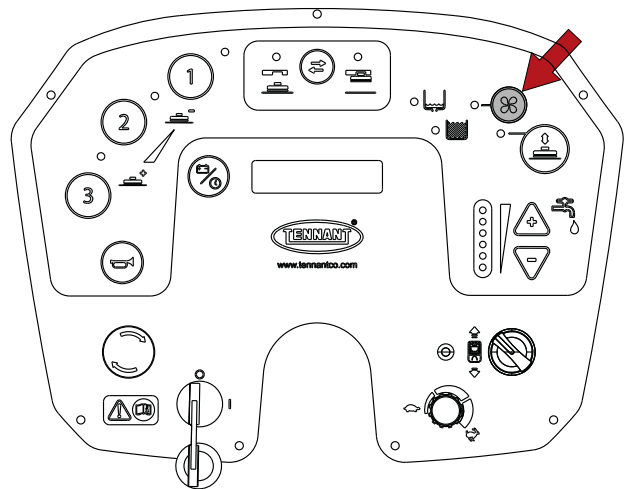
- Set the detergent solution flow.



- When scrubbing particularly dirty areas, give the detergent sufficient time to perform its chemical action of detaching and suspending the dirt in the film of water, and allow the brushes time to exert an effective mechanical action.

Drying:

- Press the suction motor button: the suction fan switches on and the squeegee is lowered.



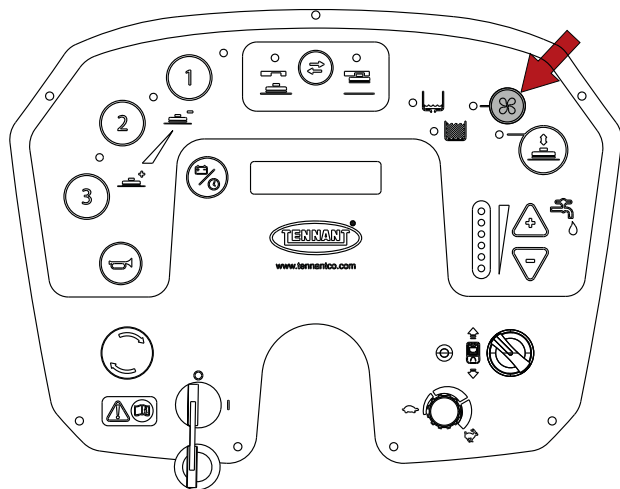
- Pass the machine over the area washed previously: the effect will be to produce a deep cleansing action, with the result that subsequent routine maintenance operations will take much less time.

Picking up water (without scrubbing)

The machine can be used to mop up spills of water or NON-flammable liquids, without any cleaning action.

Press the suction motor button: the squeegee is lowered and the suction fan comes into operation.

Proceed to pick up the liquids.



! ATTENTION: do not attempt to clean surfaces on slopes or gradients steeper than indicated on the machine data plate.

! ATTENTION: Do not operate the machine on slopes or gradients steeper than indicated on the data plate.

! ATTENTION: When using the machine on gentle gradients, do not move transversely across the slope, but keep the machine on a line parallel to the direction of the incline, manoeuvring carefully and without making U-turns.

Emergency stop button

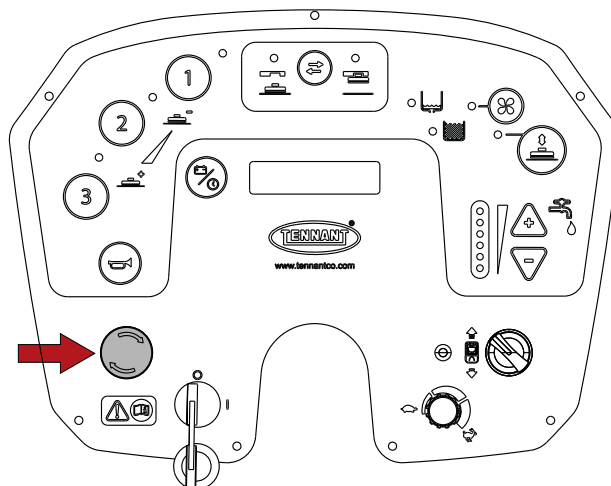
In the event of emergency, this button isolates the machine from its power source.

To cut off the power supply, press the button.

To restart the machine, rotate the button and cycle the key.

During operation of the machine

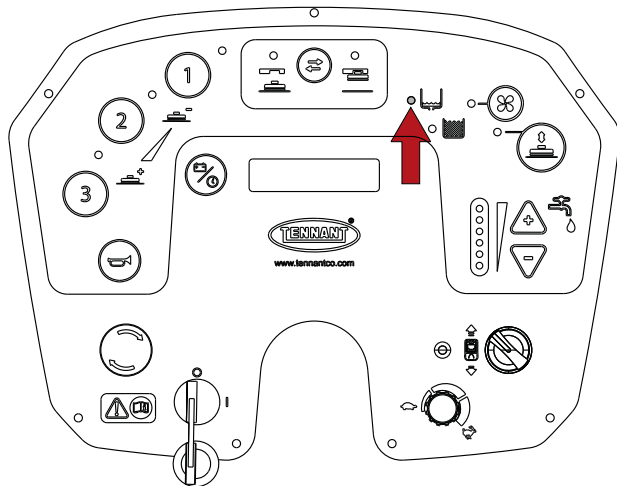
- Keep the cleaning passes as straight as possible.
- Overlap successive cleaning passes by a few centimetres.
- Adjust the ground speed of the machine, the contact pressure of the brush and the flow of detergent to suit the type of cleaning. Use the minimum available settings, as far as practically possible, for the brush pressure and detergent solution flow.
- Check the battery charge indicator to ensure there will be sufficient power for completion of the cleaning operation.
- Check the detergent solution level indicator to ensure that the relative tank is not empty.
- Check the dirty water level indicator to ensure that the relative tank is not full.
- Keep the machine moving forward to prevent damage to floor finishes.



! ATTENTION: the scrubhead and squeegee will automatically raise to the transport position if key is turned off. Stay clear of moving parts to avoid potential pinch hazard.

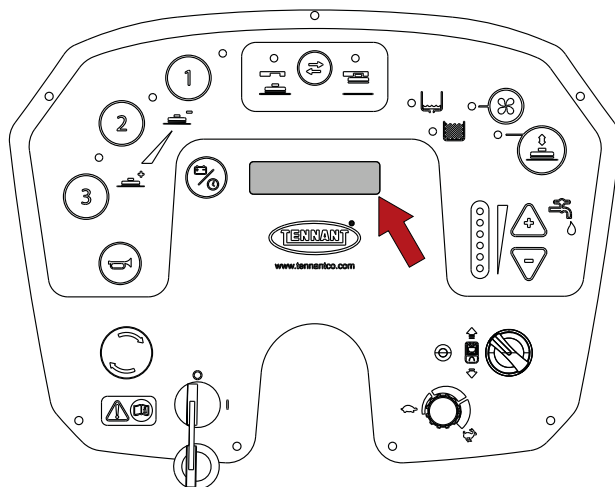
Detergent solution tank empty indicator

When the solution tank is empty, the indicator lights up and all cleaning functions are inhibited. The detergent solution tank must now be filled: when carrying out this operation, refer to the section “**Filling the detergent solution tank**”.



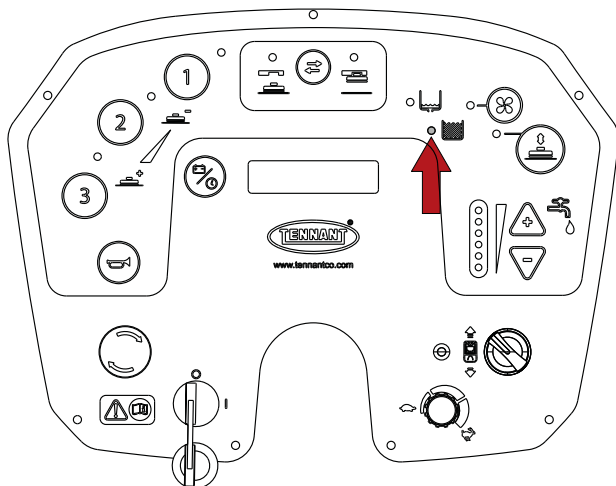
Battery charge indicator

The display indicates the battery voltage: when this drops below a specific level the cleaning functions will be disabled, whereas traction remains enabled; proceed with the recharge, following the instruction given in the section “**Recharging the batteries**”.



Dirty water tank full indicator

When the dirty water tank is full, the indicator lights up and all cleaning functions are inhibited. The dirty water tank must now be emptied: when carrying out this operation, refer to the section “**Emptying the dirty water tank**”.



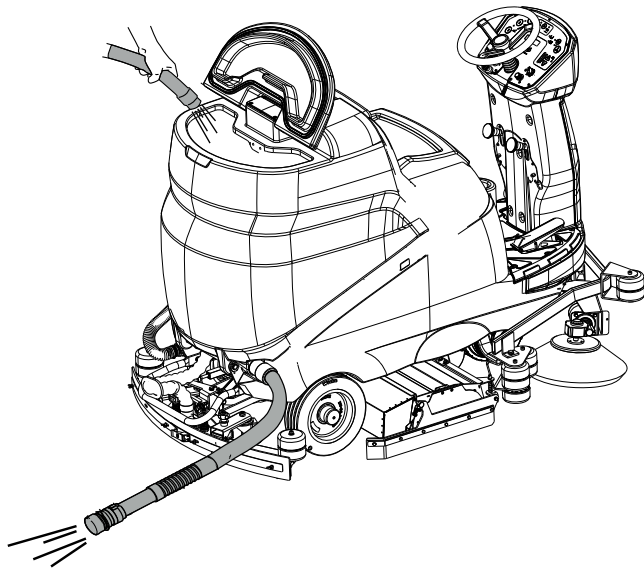
Emptying the dirty water tank

! ATTENTION: before carrying out the operations described below, stop on a flat and level surface, switch off the machine, remove the ignition key and apply the parking brake.

When cleaning operations have been completed, empty the dirty water tank.

If the tank is full, the indicator lights up and the cleaning functions of the machine will be inhibited; after a few seconds, the suction motor also shuts down. At this point the machine must be brought to a halt and the dirty water tank emptied, following the instructions indicated below:

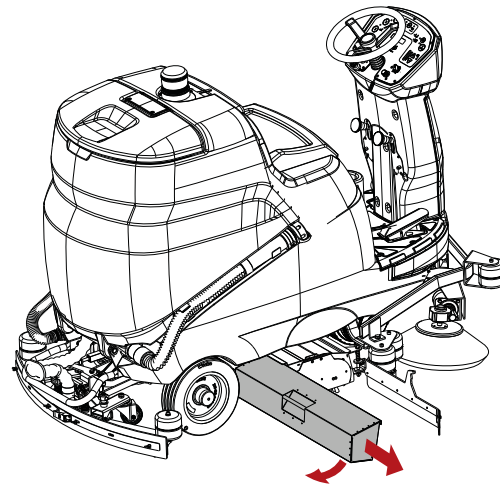
- Take the machine to the designated service area.
- Unhook the hose from the clip.
- Empty the tank by way of the drain hose: keep the hose raised initially and remove the plug, then lower the hose gently and position it over the drain outlet.
- Rinse the tank with clean water.
- Rinse the float of the dirty water tank, referring to the directions given in the section “**Cleaning the dirty water tank sensor**”.
- Refit the plug to the drain hose and reattach the hose to the clip.



Emptying the cylindrical brush debris bin

! ATTENTION: before carrying out the operations described below, stop on a flat and level surface, switch off the machine, remove the ignition key and apply the parking brake.

To empty the cylindrical brush debris bin, rotate the bottom of the bin clockwise then pull bin directly outward. Empty the debris and wash the bin.

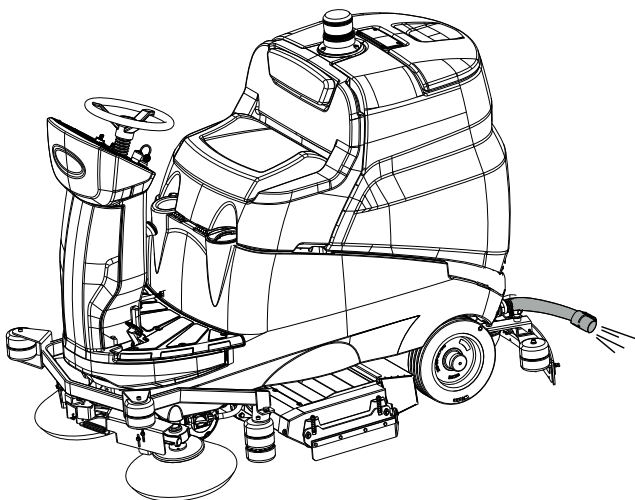


Emptying the solution tank

! ATTENTION: before carrying out the operations described below, stop on a flat and level surface, switch off the machine, remove the ignition key and apply the parking brake.

The detergent solution tank can be emptied by proceeding as follows:

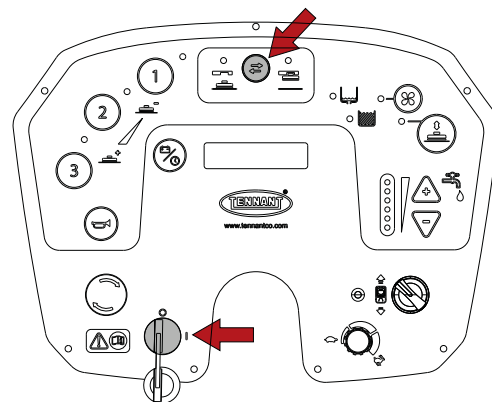
- Take the machine to the designated service area.
- Unhook the hose from the clip.
- Empty the tank by way of the drain hose: keep the hose raised initially and remove the plug, then lower the hose gently and position it over the drain outlet.



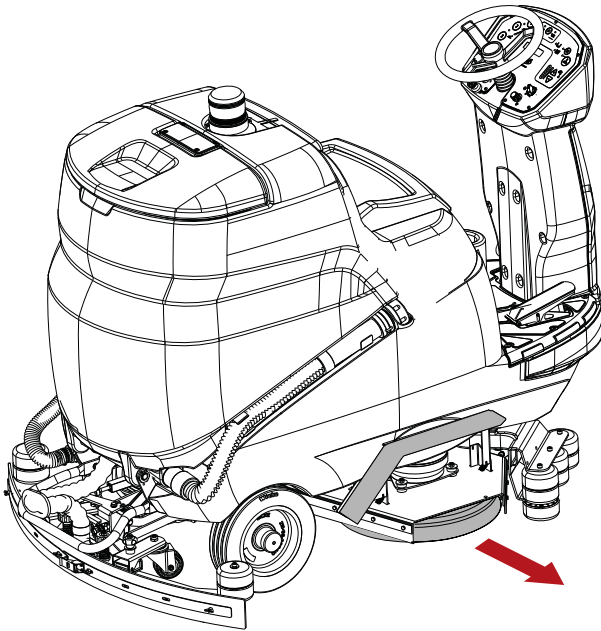
Removing the the Brush/Pad Holder

! ATTENTION: before carrying out the operations described below, stop on a flat and level surface and apply the parking brake.

- Turn the ignition key to switch the machine on.
- Press the Attach/Release brush button, and the machine will perform the release operation;



- lift the side flaps on both sides and remove the brushes from under the head.



Moving the machine when not in operation

To move the machine, proceed as follows:

- Turn the ignition key to switch the machine on.
- Press the accelerator pedal.
- The top speed of the machine is adjusted by turning the potentiometer.
- To stop the machine, release the accelerator pedal and depress the brake pedal; refer to the section "**Service brake and parking brake**".
- Turn the ignition key to switch off the machine.
- Apply the parking brake: see section "**Service brake and parking brake**".

MAINTENANCE INSTRUCTIONS

! DANGER: no maintenance work of any description must be carried without first having isolated the machine from its power source. Maintenance operations on the electrical circuit — and in any event, all other operations not explicitly described in this operating manual — must be performed by a TENNANT approved service technician, in compliance with current safety regulations and as indicated in the maintenance manual.

! DANGER: before lifting/turning the tank to access the housing, it must be emptied of its contents.

Maintenance - General rules

Performing regular maintenance according to the Manufacturer's instructions will improve performance and extend the working life of the machine.

When cleaning the machine, always observe the following precautions:

Avoid using pressure washers. Water could penetrate the electrical compartment or motors leading to damage or short circuits;

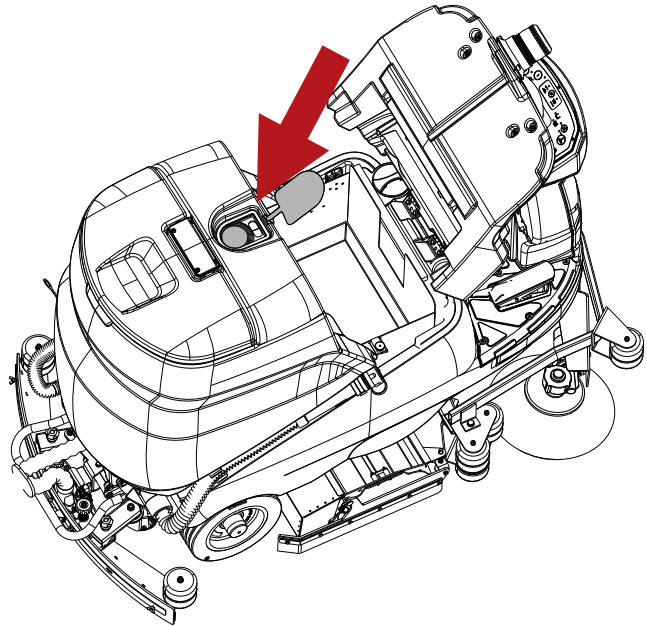
Avoid using steam, as the heat could cause the deformation of plastic parts;

Do not use solvents or hydrocarbon based products. These can damage the cowling and rubber components.

Cleaning the suction motor air filter

! ATTENTION: before carrying out the operations described below, stop on a flat and level surface, switch off the machine, remove the ignition key and apply the parking brake.

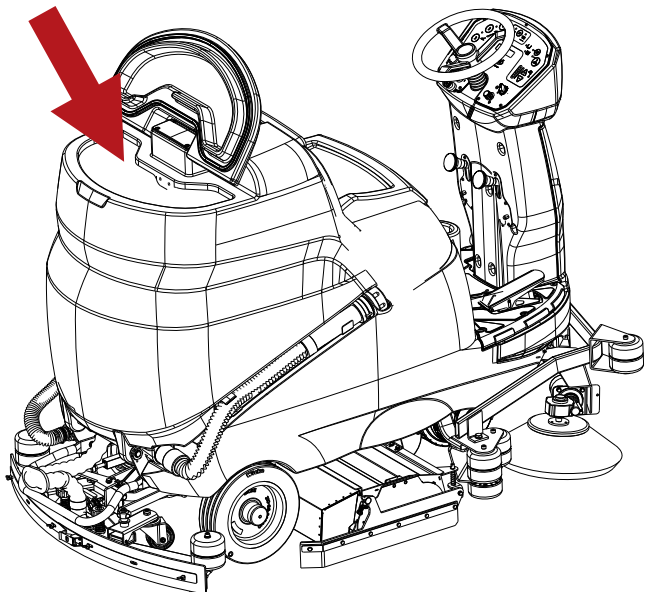
Tilt the seat forward, raise the filter cover and remove the filter from its housing; wash the filter under running water or with the detergent used in the machine, then dry thoroughly and reposition in the housing.



Cleaning the dirty water tank sensor

! ATTENTION: before carrying out the operations described below, stop on a flat and level surface, switch off the machine, remove the ignition key and apply the parking brake.

Raise the lid of the dirty water tank, and clean the sensor as appropriate.

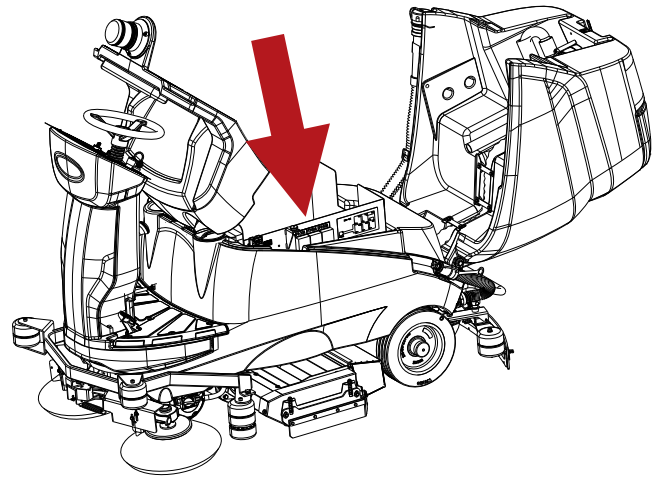
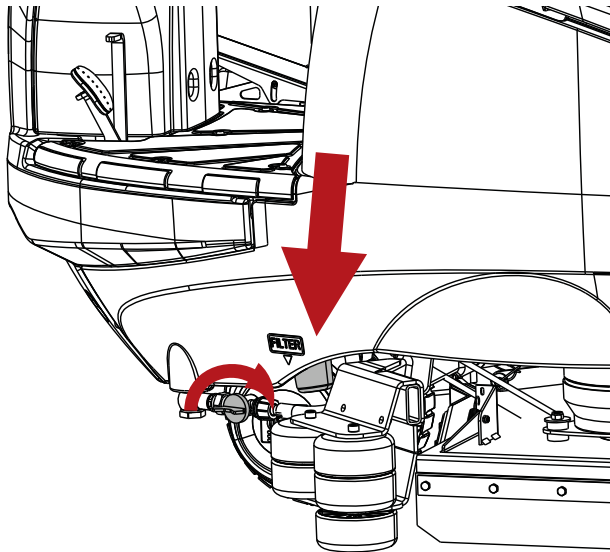


Cleaning the solution tank filter

! ATTENTION: before carrying out the operations described below, stop on a flat and level surface, switch off the machine, remove the ignition key and apply the parking brake.

To clean the filter, proceed as follows:

- Shut off the tap upstream of the filter.
- Unscrew the filter cap, remove the filter, then wash under running water or using the same detergent dispensed by the machine.
- Replace the filter in its housing, making sure it is correctly positioned and screw the lid back on.



! NOTICE

A resettable fuse is fitted beneath each of the side brush operating levers.

In the event that a side brush should stop working, press the button to reset the fuse.

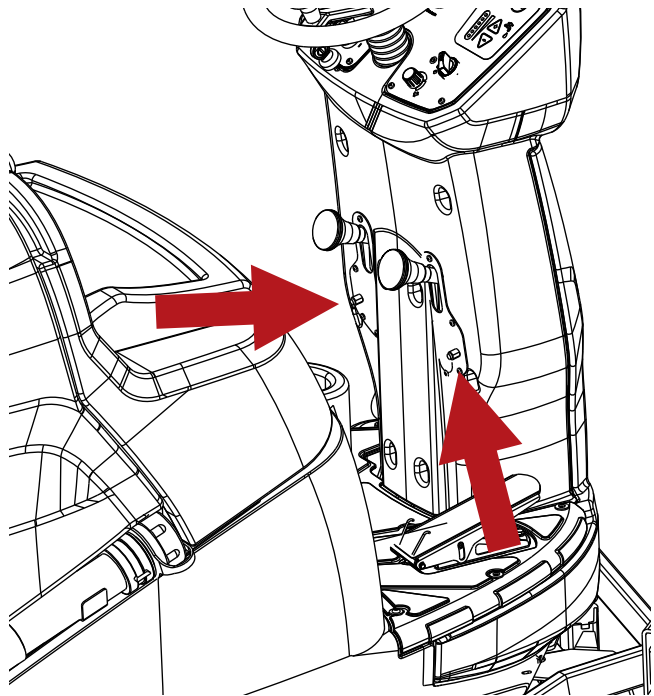
Fuses:

! ATTENTION: before carrying out the operations described below, stop on a flat and level surface, switch off the machine, remove the ignition key and apply the parking brake.

! ATTENTION: never install a fuse with a current rating higher than that specified.

The replacement of fuses must be entrusted only to a TENNANT service centre or to a TENNANT-approved service technician.

Tilt the tank to the rear, disconnect the battery wiring connector from the electrical system or unplug the mains power cable, and remove the cover to access the fuses.



Battery maintenance



! DANGER: do not check the batteries by sparking. Lead-acid (WET) batteries give off flammable vapours: extinguish any naked flames or embers before checking or topping up the batteries.

! DANGER: during any type of maintenance on the batteries, the skilled technician must wear the Personal Protective Equipment (gloves, eyewear, overalls, etc.) needed to limit the risk of accidents. Keep away from naked flames, do not short circuit the battery poles, do not generate sparks and do not smoke.

! DANGER: in the event of battery fluid leakage, do not touch the fluid and observe the following precautions:
Contact with the skin can cause irritation; wash with soap and water.
Inhalation of vapours can cause irritation to the airways; stay out in the open air and consult a doctor.
Contact with the eyes can cause irritation; wash the eyes immediately, flooding with water for at least 15 minutes, and consult a doctor.

Useful battery life is dependent on proper maintenance. To obtain best possible efficiency from batteries, observe the following rules:

- Do not leave batteries partially discharged for long periods of time.
- Allow batteries to charge completely before resuming use of the machine.
- Keep batteries clean, with the connections always well tightened.
- Check the level of the electrolyte every week (WET batteries).

Checking the electrolyte level of WET batteries

WET batteries must be inspected periodically to check the level of the electrolyte. Use only distilled water to top up the level so that the plates are covered. Do not overfill (maximum 5 mm / 0.19 in above the plates), as the electrolyte could expand and overflow when the battery is charged.

Recharging the batteries

! DANGER: do not check the batteries by sparking. Lead-acid (WET) batteries give off flammable vapours: extinguish any naked flames or embers before checking or topping up the batteries.

! DANGER: carry out the operations described below in a ventilated area.

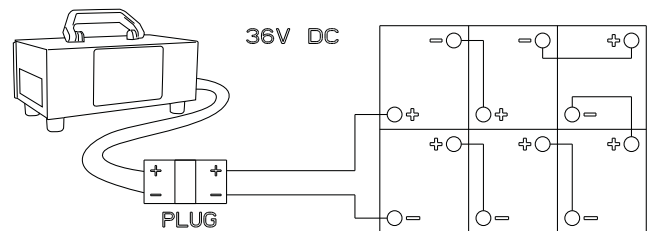
! DANGER: when charging the batteries, highly explosive hydrogen gas is produced. Elevate the tank for the entire duration of the battery charging cycle and carry out the procedure only in well ventilated areas away from naked flames.

! ATTENTION: before carrying out the operations described below, stop on a flat and level surface, switch off the machine, remove the ignition key and apply the parking brake.

! ATTENTION: before recharging, make certain that the battery charger is set up correctly for the type of battery installed.

! ATTENTION: run the recharge cycle exactly as specified in the battery charger manual, and at the end of the cycle, detach the connectors.

- Disconnect the battery pack connector from the electrical system of the machine.
- Connect the battery pack connector to the connector of the battery charger.
- Plug the battery charger into the mains power socket.
- Start the recharge cycle.



Battery: removal

! DANGER: in the event of battery fluid leakage, do not touch the fluid and observe the following precautions:
Contact with the skin can cause irritation; wash with soap and water.
Inhalation of vapours can cause irritation to the airways; stay out in the open air and consult a doctor.
Contact with the eyes can cause irritation; wash the eyes immediately, flooding with water for at least 15 minutes, and consult a doctor.

! DANGER: When removing the batteries, the skilled technician must wear the Personal Protective Equipment (gloves, eyewear, overalls, etc.) needed to limit the risk of accidents; remove the ignition key from the control panel before proceeding with the removal operation, keep away from naked flames, do not short circuit the battery poles, do not cause sparks and do not smoke.

! ATTENTION: the operation of removing the batteries must be carried out by a skilled technician.

! ATTENTION: before carrying out the operations described below, stop on a flat and level surface, switch off the machine, remove the ignition key and apply the parking brake.

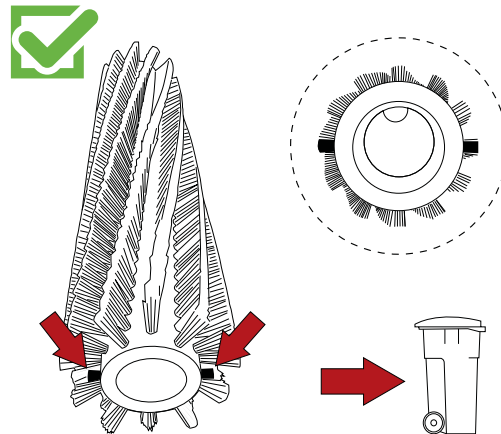
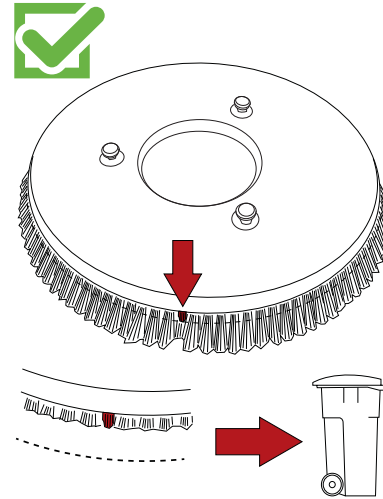
- Disconnect the battery cables and bridge terminals from the battery poles.
- If necessary, remove the devices fixing the battery to the base of the machine.
- Lift the batteries from the compartment using suitable handling equipment.

Replacement of Brushes and Pads

The machine can be equipped with disc brushes, roller brushes and pads. Check the brushes and the pads every day to make certain there are no wires, threads or strings entangled around the brush or the drive board. Check for wear on the brushes and the pads.

Replace the brushes when the bristles are worn down to the point of exposing the red indicator.

Replace the pads when they no longer clean efficiently. Wash the brushes and pads with soap and water following use, and hang them up to dry.

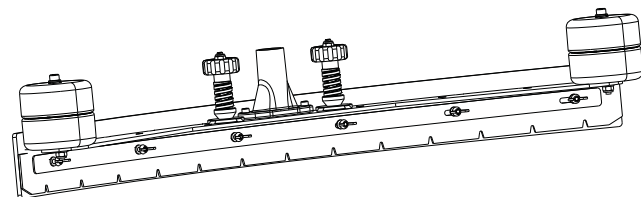
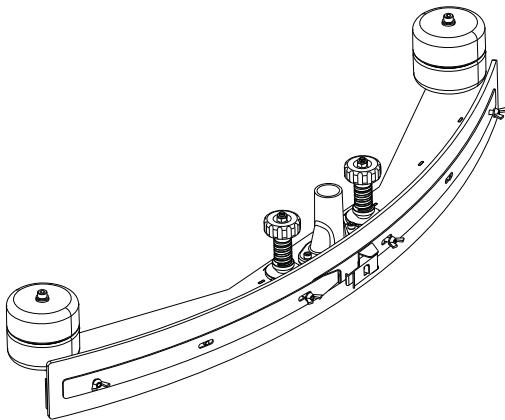


Replacing the squeegee blades

! ATTENTION: before carrying out the operations described below, stop on a flat and level surface, switch off the machine, remove the ignition key and apply the parking brake.

The squeegee blades collect the film of water and detergent from the floor and prepare the way for perfect drying. With time, and the constant wiping action, the edge of the blade in contact with the floor becomes rounded and cracked, diminishing its drying efficiency, so that ultimately a new blade is required.

- Remove the suction hose from the squeegee.
- Remove the squeegee from its mount by unscrewing the two knobs completely.
- Release the locking catch and unscrew the nuts for the rear blade; for the front blade, unscrew the nuts.
- Remove the blade retainers.
- Remove the blade.
- Refit the same rear blade, switching it around so that all four edges in turn are placed in contact with the floor, until all are worn out, proceeding likewise for the front blade, in this case until the two edges are worn out; alternatively, replace with a new blade, fitting it to the screws on the body of the squeegee.
- Refit the blade retainers.
- Refit the locking catch and retighten the nuts for the rear blade, and for the front blade, retighten the nuts.
- Replace the squeegee on its mount.

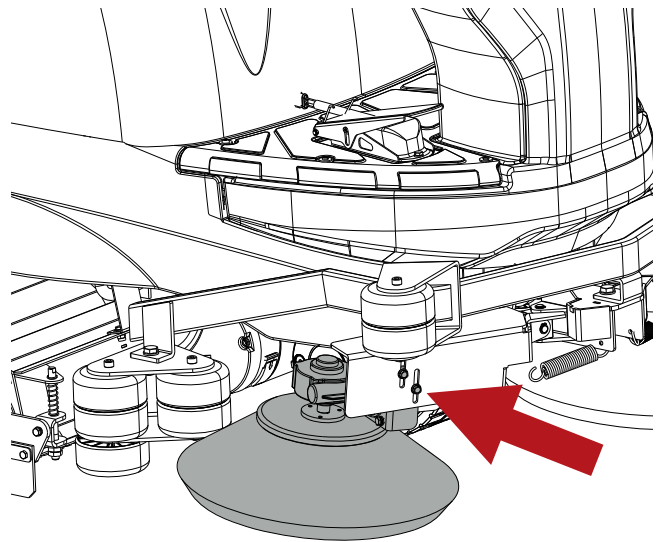


Cylindrical Brush Model side brushes wear adjustment

! ATTENTION: before carrying out the operations described below, stop on a flat and level surface, switch off the machine, remove the ignition key and apply the parking brake.

If the side brushes (when lowered) do not touch the floor due to excessive wear, they can be adjusted as follows:

- Move the side brush to the working position.
- Loosen the adjustment screws on the brush motor support.
- Position the brush by hand, as required.
- Tighten the adjustment screws.



Machine Jacking

! ATTENTION: before carrying out the operations described below, stop on a flat and level surface, switch off the machine, remove the ignition key and apply the parking brake.



! DANGER: when lifting the machine, use suitable equipment with a load capacity sufficient to carry its weight.



! DANGER: the machine must be lifted only from the points indicated below.

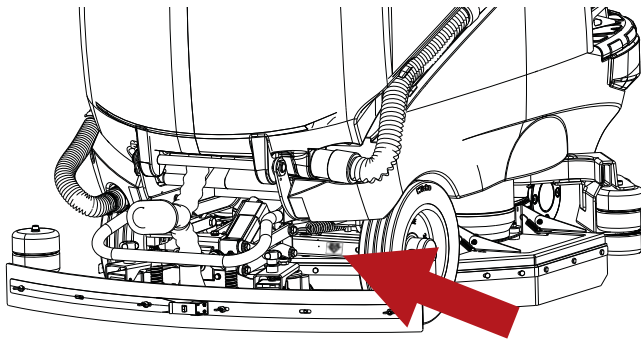
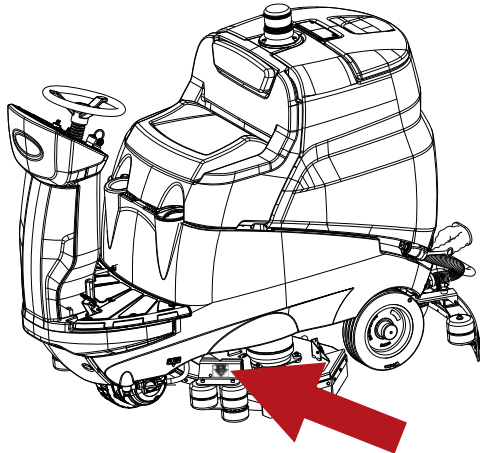


! DANGER: empty the dirty water and detergent solution tanks before lifting the machine.

! DANGER: remove the batteries before lifting the machine.

! INFORMATION

Front and rear lifting points are provided on both sides of the machine.



Periodic checks

CHECK	DAILY OPERATIONS	WEEKLY OPERATIONS	MONTHLY OPERATIONS SIX OPERATIONS
EMPTY AND WASH THE DIRTY WATER TANK	X		
CLEAN THE SQUEEGEE BLADES AND CHECK THEM FOR WEAR	X		
CHECK THAT THE SUCTION HOLE IN THE SQUEEGEE IS NOT BLOCKED	X		
RECHARGE THE BATTERIES	X		

CLEAN THE DIRTY WATER TANK FLOAT		X	
CLEAN THE SUCTION MOTOR AIR FILTER		X	
CLEAN THE SOLUTION TANK FILTER		X	
CLEAN THE SQUEEGEE		X	
CLEAN THE DIRTY WATER TANK AND THE SOLUTION TANK		X	
CHECK THE BATTERY ELECTROLYTE LEVEL		X	
HAVE THE ELECTRICAL SYSTEM CHECKED BY A TENNANT-APPROVED SERVICE TECHNICIAN			X

PERIODS OF INACTIVITY

If the machine is not used for some time, for example, on display in a showroom or stored in the warehouse for a period of more than one month, the following operations are required:

- Recharge the batteries completely. During long periods of inactivity, remember to recharge the batteries periodically (at least once every two months) so that they are kept at the maximum charge level.
- Disconnect the batteries from the machine.
- Unplug the battery charger (if present) from the mains power supply.
- The squeegee and brushes (or abrasive disks) must be removed from the machine, washed and stored in a dry place (preferably in a bag or wrapped in plastic sheet) away from dust.
- Make certain that the tanks are completely empty and perfectly clean.

! ATTENTION: remember to check the batteries — if they are not recharged periodically as described above, they could become damaged beyond repair. The manufacturer is not liable for any malfunctions resulting from neglect, improper and/or incorrect use.

! ATTENTION: when the batteries discharge to the minimum level, make certain they are not left in this condition for any length of time, as this can reduce their working life. Check the battery charge level at least once a week

TROUBLESHOOTING

PROBLEMS	CAUSES	SOLUTIONS
The machine does not work	The batteries are disconnected	Connect the batteries to the machine
	The batteries are flat	Recharge the batteries
	Fuse tripped	Reset the fuse
	Ignition key not engaged	Turn the key
	Emergency button pressed	Release the emergency button
Head brushes not turning	The dirty water tank is full	Empty the dirty water tank
	Fuse tripped	Reset the fuse
	The batteries are flat	Recharge the batteries
	Damaged motor	Replace
Head side brushes not turning	Fuse tripped	Reset the fuse
	Damaged motor	Replace
The machine does not clean uniformly	The brush or disks are worn	Replace
No solution comes out of the detergent tank	Damaged solenoid valve	Replace
	Dirty solenoid valve	Check
	Detergent solution tank empty	Top up
	The hose delivering detergent to the brush is blocked	Unblock
	The tap upstream of the filter is closed	Open the tap
	Fuse tripped	Reset the fuse
Detergent flow does not stop	Damaged solenoid valve	Replace
	Dirty solenoid valve	Clean
The suction motor does not start	The dirty water tank is full	Empty the dirty water tank
	Fuse tripped	Reset the fuse
	The batteries are flat	Recharge the batteries
	Damaged motor	Replace
The squeegee does not clean or has poor suction	The edge of the rubber blades in contact with the floor is worn	Replace the blades
	Squeegee blocked or damaged	Check
	The dirty water tank sensor has been activated or is blocked by dirt, or is faulty	Empty the dirty water tank, check the sensor.
	Blockage in the suction hose	Check
	The suction hose is not connected to the squeegee or is damaged	Check
The machine does not move	The batteries are flat	Recharge the batteries
	Damaged motor	Replace
	Accelerator pedal pressed too quickly	Press accelerator pedal slowly when starting out
The batteries do not provide the normal working time	The battery poles and charging terminals are dirty and oxidised	Clean and grease the poles and terminals, charge the batteries
	The electrolyte has evaporated and is not covering the plates completely	Top up all elements with distilled water so that all plates are covered, then recharge the battery.
	The battery charger does not work or is not suitable	Check

ALARMS/WARNINGS DISPLAYED

ERROR CODE	CAUSE	SOLUTION
BRUSH TEMPER.	Machine being overworked.	Wait 30 minutes for the temperature to come down.
	The work program selected is too heavy for the type of surface.	Drop from 3 to 2 or 1.
	Electronics damaged	Replace the power pcb.
BATTERY RESERVE	Battery voltage low	Charge the battery.
BATTERY FLAT	Battery voltage low	Charge the battery.
EXHAUSTED BATTERY	Battery voltage low	Check the battery acid level and top up if necessary.
PARKING BRAKE	Parking brake engaged.	Release the parking brake.
	Brake pedal microswitch not mounted correctly.	Adjust the position of the microswitch.
	Brake pedal microswitch not functioning correctly.	Replace the microswitch.
RECOV.TANK LEVEL	Water level sensor tripped.	Empty the dirty water tank.
	Level sensor stuck.	Check the sensor.
WATER RESERVE	Water level sensor tripped.	Fill the solution tank.
	Level sensor stuck.	Check the sensor.
NO WATER	Water level sensor tripped.	Fill the solution tank.
	Level sensor stuck.	Check the sensor.

DRIVE WHEEL PCB ALARMS

The drive wheel PCB is located inside the steering column. If drive is interrupted, the error code should be identified by means of the status LED. In the absence of malfunctions, the status LED remains permanently alight while the machine is in operation.

☼○○○○○☼○○○○○☼○○○○○☼

example - ALARM A1

☼○☼○○○○○☼○☼○○○○○☼○☼○○○○○☼○☼

example - ALARM A2

☼○☼○☼○☼○☼○☼○☼○☼○☼○☼○☼○☼○☼○☼○☼○○○○○☼

example - ALARM A13

☼○☼○☼○☼○☼○☼○☼○☼○☼○☼○☼○☼○☼○☼○☼○○○○○☼

example - ALARM A14

ERROR CODE	CAUSE	SOLUTION
ALARM A1	Forward Drive switch closed at start-up	Contact Service
ALARM A2	Reverse Drive switch closed at start-up	
ALARM A3	Potentiometer fault	
ALARM A4	Potentiometer not on zero at start-up	
ALARM A5	Thermal cutout	
ALARM A6	Drive circuit board fault	
ALARM A7	Overcurrent (motor fault)	
ALARM A8	Fuse or power contacts damaged (drive circuit board fault)	
ALARM A9	Undervoltage	
ALARM A10	Overvoltage	
ALARM A11	Overload	
ALARM A12	Disable microswitch active (input fault)	
ALARM A13	Key shutdown sequence active (input fault)	
ALARM A14	Internal memory alarm (drive circuit board fault)	

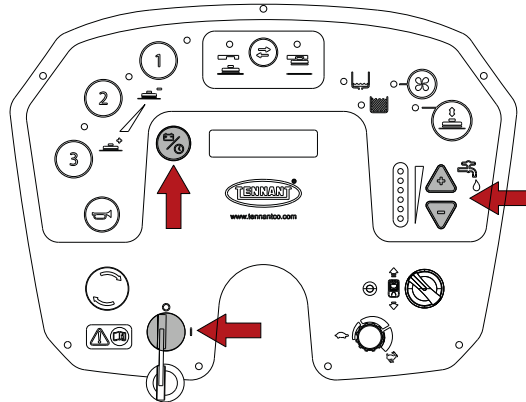
USER MENU

To access the user program, turn the ignition key to “1”; after 5 seconds, press the programming button and hold for 10 seconds. The display will show the first parameter. To switch from one parameter to another, use the programming button.

To change the value of the selected parameter, press the “-” or “+” button: “-” to decrease, “+” to increase.

To store the changes and exit, press and hold the programming button until the display shows the battery voltage.

Simply returning the ignition key to “0” will not cancel the changes that have been made; to clear the changes, set the default values shown below and select save.



	DEFAULT VALUES	
	Disc Head version	Roller Head version
Language setting.	ENGLISH	ENGLISH
Head working pressure	Program 1 Pressure 020	Program 1 Pressure 020
Enable brushes	Program 1 Brushes ON	Program 1 Brushes ON
Enable suction unit.	Program 1 Suction ON	Program 1 Suction ON
Water flow rate.	Program 1 Water 2	Program 1 Water 2
Enable Power OFF- ON.	Program 1 Auto Power OFF ON	Program 1 Auto Power OFF ON
Head working pressure	Program 2 Pressure 040	Program 2 Pressure 030
Enable brushes	Program 2 Brushes ON	Program 2 Brushes ON
Enable suction unit.	Program 2 Suction ON	Program 2 Suction ON
Water flow rate.	Program 2 Water 3	Program 2 Water 3
Enable Power OFF- ON.	Program 2 Auto Power OFF ON	Program 2 Auto Power OFF ON
Head working pressure	Program 3 Pressure 060	Program 3 Pressure 040
Enable brushes	Program 3 Brushes ON	Program 3 Brushes ON
Enable suction unit.	Program 3 Suction ON	Program 3 Suction ON
Water flow rate.	Program 3 Water AUTO	Program 3 Water 3
Enable Power OFF- ON.	Program 3 Auto Power OFF ON	Program 3 Auto Power OFF ON
Chemical flow rate.	CHEMICAL FLOW 2%	CHEMICAL FLOW 2%

RECOMMENDED SPARE PARTS

T981 75cm Cylindrical	
Part Number	Descriptions
SPPV01286	BRUSH, SOFT, PPL, 75CM [STD]
SPPV00457	BRUSH, MED, PPL, 75CM
SPPV01364	BRUSH, SOFT, MIX 5, 75CM
SPPV01201	BRUSH, ABRV, 75CM (TYNEX)
SPPV75790	BRUSH, SIDE, PPL, MEDIUM [STD]
SPPV75794	BRUSH, SIDE, ABRV
MPVR06551	BLADE, SQGE, FRONT, LINATEX [STD]
MPVR06552	BLADE, SQGE, REAR, LINATEX [STD]
MPVR02830	BLADE, SQGE, FRONT, NAT RUB
MPVR05883	BLADE, SQGE, REAR, LATEX
MPVR13250	BLADE, SQGE, FRONT, PU
MPVR02832	BLADE, SQGE, REAR, PU
PMVR06915	SQGE ASY W/ LINATEX BLADES, 75/85
MPVR02846	FLAP, SIDE, LEFT
MPVR02845	FLAP, SIDE, RIGHT
GUVR75740	RING
MPVR04720	ROLLER
MOCC00166	MOTOR, BRUSH
MTCG87404	BELT
CUVR29964	BALL BEARING 6000,2RS1 BALL
CUVR00164	BEARING 6002RS -SKF
T981 90cm Disk	
Part Number	Descriptions
SPPV01539	BRUSH, PPL, 48CM [STD]
SPPV01540	BRUSH, ABRV, 48CM (TYNEX 120)
SPPV01541	BRUSH, ABRV, 48CM (TYNEX 240)
SPPV01542	BRUSH, ABRV, 48CM (TYNEX 320)
SPPV01543	BRUSH, PES, MIX 5, 48CM
SPPV01221	PAD HOLDER, 48CM
1240392	PAD, POLISH, 18.0D, YEL [5PC]
1243335	PAD, SCB, 18.0D, BLU 5PC]
1243336	PAD, BUFF, 18.0D, RED [5PC]
1243337	PAD, POLISH, 18.0D, WHITE [5PC]
1243660	PAD, STRIP, 18.0D BLK [5PC]
1243724	PAD, STRIPPING, 18.0D, BRN [5PC]
MPVR06553	BLADE, SQGE, FRONT, LINATEX [STD]
MPVR06554	BLADE, SQGE, REAR, LINATEX [STD]
MPVR02850	BLADE, SQGE, FRONT, NAT RUB
MPVR05884	BLADE, SQGE, REAR, LATEX
MPVR13251	BLADE, SQGE, FRONT, PU
MPVR51009	BLADE, SQGE, REAR, PU
PMVR06916	SQGE ASY W/ LINATEX BLADES, 90 cm
MPVR51006	FLAP, SIDE, LEFT
MPVR51007	FLAP, SIDE, RIGHT
MPVR51005	FLAP, SIDE, REAR
MOCC00390	MOTOR, BRUSH, GEARBOX, RIGHT
MOCC00474	MOTOR, BRUSH, GEARBOX, LEFT
RDGR00039	GEARBOX, BRUSH MOTOR
MEVR05203	CARBON BRUSHES, BRUSH MOTOR

897524	BEARING, BALL, 8B 30D 11W
T981 Common Parts	
Part Number	Descriptions
1070587	BATTERY, WET, 06VDC 0360AH
1262287	BATTERY, AGM, 06VDC 350AH
1043662	CHARGER, 36VDC 21A 85-265VAC 1PH 45/65HZ
1017079	CORD, CHARGER, EXTN, 16GA/3, 10FT [SJT]
MEVR00985	VR, BRUSH KIT, MOTOR, TRACTION
MEVR05202	CARBON BRUSH VACUUM
FTDP00130	FILTER
GUGO31051	GASKET LAV
KTRI04700	HOSE, SQUEEGEE
GUGO00306	GASKET, CAP, SEAL
FTAC00038	FILTER, ASSY, SOLUTION
FTAC00047	FILTER, SOLUTION
9017783	MOTOR, VACUUM, ASSY, 36V
9017737	SENSOR FLOAT WATER TANK
TBBP00485	HOSE ASSY, DRAIN, RECY
MECB01227	POTENTIOMETER, TRACTION
MECB01228	CONTACT, MICRO, PEDAL
MEEV00043	SOLENOID VALVE
RTRT00518	WHEEL SWIVEL
PMVR01141	TUBE, AIR OUTLET
PMVR01139	HOSE, DRAIN, SOL TANK
MOCC00394	ACTUATOR
KTRI02060	ACTUATOR, BRUSH HEAD
MOCC00380	MOTOR WHEEL 36V
RTRT00795	WHEEL, POLY, D
PPEL00025	PUMP EST, 36V
MECE00526	BOARD POWER SERVICE
KTRI06405	KIT, DISPLAY BOARD ASSY
KTRI06415	KIT, BOARD, DISPLAY
KTRI06416	KIT, BOARD, LOGIC
KTRI06417	KIT, BOARD, INTERFACE
KTRI05576	POTENTIOMETER, SPEED 100K
METT00086	CONTACTOR, 100A
RTRT00533	MOTORWHEEL, RING REPLMT
CUVR00194	BEARING, 61926, 2RS
CUVR00264	BEARING 32007X
GUGO00703	GASKET
METT00135	FUSE 2A
METT00132	FUSE CIRCUIT BREAKER 30A
METT00136	FUSE 3A
METT00137	FUSE 4A
METT00138	FUSE 50A
MEVR01925	FUSE 150A
897357	BATTERY CABLE
MECE00927	CIRCUITBOARD ASSY, TRACTION

ÍNDICE

INSTRUCCIONES IMPORTANTES SOBRE LA SEGURIDAD	3
SEÑALES DE SEGURIDAD	6
CARACTERÍSTICAS TÉCNICAS	7
MEDIDAS DE LA MÁQUINA	9
INFORMACIÓN GENERAL	10
Finalidad del manual.....	10
Identificación de la máquina.....	10
Documentación adjunta a la máquina.....	10
INFORMACIÓN TÉCNICA	11
Descripción general.....	11
Componentes principales de la máquina.....	11
Cuadro de mandos.....	12
Accesorios.....	12
DESPLAZAMIENTO E INSTALACIÓN	13
Levantamiento y transporte de la máquina embalada.....	13
Controles que se deben realizar en el momento de la entrega.....	13
Desembalaje.....	13
Baterías de alimentación.....	14
Configuración de la selección de la batería en la máquina.....	14
Baterías WET, preparación:.....	15
Baterías: instalación y conexión.....	15
Elección del cargador de baterías.....	16
Preparación del cargador de baterías.....	16
Configuraciones del cargador de baterías.....	17
Instalación del secador de suelos.....	17
Regulación del secador de suelos.....	17
Instalación del Cepillo / Porta Pad.....	18
Instalación de los cepillos (cabezal de rodillos).....	19
Instalación de los cepillos laterales (cabezal de rodillos).....	20
Llenado del depósito de la solución.....	21
GUÍA PRÁCTICA PARA EL OPERADOR	22
Ropa y equipamiento.....	22
Antes de poner en funcionamiento la máquina.....	22
Preparación de la máquina para el trabajo.....	22
Trabajo.....	22
Freno de servicio y freno de estacionamiento.....	24
Lavado doble.....	25
Recogida de agua (sin lavado).....	26
Durante el funcionamiento de la máquina.....	26
Pulsador de emergencia.....	26
Indicador depósito de la solución vacío.....	27
Indicador depósito de agua sucia lleno.....	27
Indicador baterías.....	27
Vaciado del depósito del agua sucia.....	27
Vaciado del depósito de la solución.....	28
Vaciado del cajón del cabezal de rodillos.....	28
Desenganche de los cepillos / Discos abrasivos.....	28
Desplazamiento de la máquina sin que trabaje.....	29
INSTRUCCIONES PARA EL MANTENIMIENTO	30
Mantenimiento – Reglas generales.....	30
Limpieza del filtro de aire del aspirador.....	30
Limpieza del sensor del depósito de agua sucia.....	30
Limpieza del filtro del depósito de la solución.....	31
Fusibles.....	31
Mantenimiento de las baterías.....	31
Comprobación del nivel de electrolito de las baterías WET.....	32
Carga de las baterías.....	32
Batería: desmontaje.....	33
Sustitución de los Cepillos y Pads.....	33
Sustitución de los labios del secador de suelos.....	34
Regulación del desgaste de los cepillos laterales del cabezal de rodillos.....	34
Levantamiento de la máquina.....	34
Controles periódicos.....	35
PERÍODOS DE INACTIVIDAD	35
INCONVENIENTES, CAUSAS Y SOLUCIONES	36
ALARMAS / AVISOS EN LA PANTALLA	37
ALARMAS TARJETA DE ACCIONAMIENTO MOTORRUEDA	38
MENÚ USUARIO	39
PIEZAS DE REPUESTO RECOMENDADAS	40

INSTRUCCIONES IMPORTANTES SOBRE LA SEGURIDAD

Los párrafos que revisten una importancia particular están destacados en negrita y anteceditos por los símbolos que se ilustran y definen a continuación.



! PELIGRO:

Indica que es necesario tener cuidado para no incurrir en consecuencias serias que podrían provocar la muerte del personal o posibles daños a la salud.

! ATENCIÓN:

indica que es necesario tener cuidado para no incurrir en consecuencias serias que podrían causar daños a la máquina, al entorno en que se trabaja o pérdidas económicas.



! PELIGRO: si la máquina tuviera instaladas baterías de plomo (WET), manténgalas lejos de chispas, llamas y materiales que produzcan humo. Durante el uso normal, en particular durante la carga, se producen gases explosivos.



! PELIGRO: si la máquina tuviera instaladas baterías de plomo (WET), al cargar las baterías se produce gas hidrógeno altamente explosivo. Levante el depósito de agua sucia durante todo el ciclo de carga de las baterías y realice el procedimiento únicamente en zonas bien ventiladas y lejos de llamas abiertas.



! PELIGRO: nunca recoja líquidos inflamables ni explosivos (ej. gasolina, aceite combustible, etc.), ácidos ni disolventes (ej. disolventes para pinturas, acetona, etc.) aunque estén diluidos.



! PELIGRO: no recoja nunca objetos encendidos o incandescentes.



! PELIGRO: esta máquina no debe utilizarse en pavimentos con revestimientos/acabados/materiales peligrosos.



! PELIGRO: no rocíe líquidos inflamables.

No utilice la máquina:

- Si no ha leído el manual de uso y mantenimiento.
- Si no ha recibido formación sobre el uso.
- Si no está autorizado para utilizarla.
- Si es menor de edad.
- Si la máquina no funciona correctamente.
- En lugares que no estén adecuadamente iluminados.
- En ambientes explosivos.
- En la vía pública.
- Al aire libre, la máquina está destinada solo para ser utilizada en interiores.
- En presencia de suciedad nociva para la salud (polvo, gas, etc.).
- si hubiera peligro de caída de objetos.
- en zonas demasiado oscuras para ver con seguridad los mandos o accionar la máquina.

Ropa de trabajo y equipamiento:

- Use zapatos de seguridad con suela antideslizante.
- Póngase gafas de protección o máscara y la ropa de seguridad.
- Dependiendo de la superficie a limpiar y su entorno, las medidas de protección necesarias para las nieblas pulverizadas pueden incluir mascarillas respiratorias de clase FFP2, equivalentes o superiores.

Antes de poner en marcha la máquina:

- Compruebe que la máquina no esté dañada.
- Verifique el funcionamiento del freno.
- Compruebe que todos los dispositivos de seguridad estén instalados y que funcionen.

Cuando utilice la máquina:

- Un operador solo hace funcionar la máquina.
- Respete las normas de seguridad del lugar de trabajo relativas a los pavimentos mojados. Cuando sea necesario, coloque sobre el pavimento mojado las señales de seguridad durante el uso de la máquina.
- Aparque la máquina en una superficie en plano.
- Nunca permita que los niños jueguen en la máquina o cerca de ella.
- Evalúe el tipo de edificio donde deba trabajar (ej.: industrias farmacéuticas, hospitales, industrias químicas, etc.) y respete las normas y condiciones de seguridad allí vigentes.
- No destine esta máquina para otros usos que no sean aquellos previstos.
- Respete el uso previsto, esta máquina está destinada a un uso comercial, por ejemplo en hoteles, escuelas, hospitales, fábricas, tiendas, oficinas y actividades comerciales.
- Su uso está permitido solo en interiores.
- Mantenga todas las partes del cuerpo dentro del puesto del operador mientras la máquina esté en movimiento.
- Debe guardarse únicamente en lugares cerrados.
- No permita que la máquina sea utilizada como un juguete.
- La máquina no ha sido diseñada para remolcar ni para ser remolcada.
- No utilice la máquina como superficie de apoyo para ningún peso ni por ningún motivo.

- No obstruya las aberturas de ventilación y de eliminación del calor.
- No quite, ni modifique, ni desactive los dispositivos de seguridad.
- La máquina ha sido diseñada para ser utilizada con detergentes suministrados o recomendados por el fabricante. El uso de otros detergentes o sustancias químicas puede influir sobre la seguridad del equipo.
- Cuando use detergentes para la limpieza de los pavimentos, atégase a las instrucciones y advertencias indicadas en las etiquetas de los envases.
- No utilice detergentes que puedan producir reacciones peligrosas, vapores, calor, etc.
- Durante el uso se puede formar niebla pulverizada. La inhalación de neblina pulverizada puede ser perjudicial para la salud.
- El empleador debe evaluar el riesgo para especificar las medidas de protección necesarias relativas a la formación de nieblas pulverizadas, dependiendo de la superficie a limpiar y su entorno. Las mascarillas de protección clase FFP 2, equivalentes o superiores, son aptas para la protección contra la inhalación de niebla pulverizada.
- No introduzca las manos entre los componentes móviles.
- En caso de avería o de fallo de funcionamiento de la máquina, apáguela de inmediato (desconectándola de las baterías/red eléctrica) y no trate de repararla, póngase en contacto con un centro de asistencia técnica del Fabricante.
- El rango de temperatura previsto para utilizar la máquina está comprendido entre +4°C / 39.2°F y +40°C / 104°F; cuando la máquina no se utiliza, el rango de temperatura está comprendido entre +0°C / 32°F y +50°C / 122°F.
- El rango de humedad previsto para la máquina en cualquier condición en que se encuentre es entre 30% y 95%.
- La máquina se debe utilizar en lugares con una altitud inferior a 2000 m / 6561.68 ft.
- No utilice la máquina para limpiar superficies en pendiente o rampas superiores a las indicaciones aplicadas en la máquina.
- No utilice la máquina en pendientes o rampas superiores a las indicaciones aplicadas en la máquina.
- Cuando utilice la máquina en pequeñas pendientes, no la utilice en sentido transversal, quedando con el vehículo en posición paralela a la dirección de la pendiente, maniobrela con cuidado y sin hacer inversiones.
- No está permitido utilizarla por personas (incluidos los niños) cuyas capacidades físicas, sensoriales o mentales no sean adecuadas, o que no posean experiencia ni conocimientos, salvo que estas sean controladas o hayan sido preparadas para el uso de la máquina por una persona responsable de su seguridad.
- No utilice la máquina para transportar personas u objetos, ni para remolcar objetos.
- Quítese las pulseras, anillos, cadenas, relojes, corbatas, etc.
- Siempre utilice las protecciones individuales para la seguridad del operador: bata o mono protector, zapatos antideslizantes e impermeables, guantes de goma, gafas y auriculares de protección, mascarillas para la protección

de las vías respiratorias.

Antes de alejarse de la máquina o antes de realizar el mantenimiento:

- Aparque la máquina en una superficie en plano.
- Apague la máquina y retire la llave de encendido.

Al realizar el mantenimiento:

- Todas las operaciones deben realizarse en condiciones de visibilidad e iluminación suficientes.
- Desconecte la máquina de la alimentación eléctrica, desconectando las baterías.
- Siempre utilice las protecciones individuales para la seguridad del operador: bata o mono protector, zapatos antideslizantes e impermeables, guantes de goma, gafas y auriculares de protección, mascarillas para la protección de las vías respiratorias.
- Quítese las pulseras, anillos, cadenas, relojes, corbatas, etc.
- No empuje la máquina si no hay ningún operador sentado en el asiento y que pueda maniobrar el volante.
- Proteja las baterías contra las impurezas, por ejemplo del polvo metálico.
- Tenga cuidado cuando manipule el ácido para baterías, evite el contacto. En caso de fuga del líquido de la batería, no toque el líquido y observe las siguientes precauciones: El contacto con la piel puede causar irritación, lavar con agua y jabón; la inhalación puede causar irritación de las vías respiratorias, exponer al aire libre y consultar a un médico; el contacto con los ojos puede causar irritación, lavar inmediatamente los ojos con abundante agua durante al menos 15 minutos, consultar a un médico.
- No apoye herramientas sobre las baterías: peligro de cortocircuito y explosión.
- Utilice (en su caso) el cargador de baterías suministrado con la máquina con los valores recomendados en los datos técnicos.
- Haga que la instalación de la batería sea realizada por personal técnico cualificado de TENNANT.
- Controle periódicamente el cable de alimentación del cargador de baterías, comprobando que no esté dañado; si así fuera, no utilice el aparato; para su sustitución, póngase en contacto con personal técnico cualificado de TENNANT. Desconecte ambas alimentaciones del cargador de baterías (tanto aquella de CA como de CC).
- No tire del cable del cargador de batería para desconectarlo de la toma de corriente, sujete la clavija y tire.
- No lave nunca la máquina con agua bajo presión.
- La limpieza y el mantenimiento que deba realizar el usuario no deberán ser realizados por niños sin supervisión.
- Todas las reparaciones deben ser realizadas por personal técnico cualificado de TENNANT.
- Está permitido solo el uso de accesorios y piezas de repuesto originales suministradas únicamente por el fabricante, ya que son las únicas que garantizan el funcionamiento seguro y sin inconvenientes de la máquina.
- No utilice como repuestos piezas desmontadas de otras máquinas u otros kits.

Cuando cargue /descargue la máquina de un vehículo:

- Vacíe los depósitos antes de cargar la máquina.
- Levante el cabezal y retire el secador de suelos de la máquina.
- No conduzca la máquina por una rampa resbaladiza.
- Tenga mucho cuidado cuando utilice la máquina en rampas.
- Apague la máquina y retire la llave de encendido.
- Bloquee las ruedas de la máquina.
- Utilice correas para anclar la máquina.

CONSERVE ESTAS INSTRUCCIONES

SEÑALES DE SEGURIDAD

	<p>ATENCIÓN, PELIGRO DE AMPUTACIÓN</p>
	<p>ATENCIÓN, PELIGRO DE ABRASIÓN</p>
	<p>PENDIENTE SUPERABLE</p>
	<p>MANUAL DEL OPERADOR, INSTRUCCIONES DE FUNCIONAMIENTO</p>
	<p>LEER EL MANUAL DEL OPERADOR</p>
	<p>SÍMBOLO DE CORRIENTE CONTINUA</p>
	<p>CLASE DE AISLAMIENTO, ESTA CLASIFICACIÓN ES VÁLIDA SOLO PARA EQUIPOS QUE FUNCIONAN CON BATERÍA.</p>
	<p>PUNTO DE CONEXIÓN DEL CARGADOR DE BATERÍAS EXTERIOR.</p>
	<p>PUNTO PARA LEVANTAR LA MÁQUINA.</p>
<p>▲ WARNING TO REDUCE THE RISK OF FIRE, EXPLOSION, ELECTRICAL SHOCK OR INJURY: • Read manual before operating machine. • Do not use outdoors. • Do not use in rain. • Do not use in open flame. • Do not use near flammable liquids, vapors or combustible dusts. • Keep sparks and open flame away from batteries. • Do not charge batteries with damaged cord. • Remove battery before servicing machine. ▲ AVERTISSEMENT POUR RÉDUIRE LES RISQUES D'INCENDIE, L'EXPLOSION, DE CHOC ÉLECTRIQUE OU DE LÈSURE: • Lisez le manuel avant d'utiliser la machine. • Ne pas utiliser à l'extérieur. • Évitez l'eau. • Ne pas utiliser en cas de pluie. • Ne pas utiliser à proximité de liquides inflammables, vapeurs ou poussières combustibles. • Écartez les étincelles et les flammes nues des batteries. • Ne chargez pas les batteries avec un cordon endommagé. • Retirez la batterie avant de l'entretenir. ▲ ADVERTENCIA PARA REDUCIR EL RIESGO DE INCENDIO, EXPLOSIÓN, CHOQUE ELÉCTRICO, O LESIONES: • Lea el manual antes de utilizar la máquina. • No utilizar en exteriores. • Evitar la lluvia. • No utilizar en caso de lluvia. • No utilizar cerca de líquidos inflamables, vapores o polvo combustible. • Mantenga las chispas y las flamas abiertas lejos de las baterías. • No cargue las baterías si el cable está dañado. • Retire la batería antes de reparar la máquina.</p>	<p>ETIQUETA DE SEGURIDAD. LA ETIQUETA DE SEGURIDAD APARECE EN LA MÁQUINA EN LA POSICIÓN INDICADA. SUSTITUYA LA ETIQUETA SI FALTARA O SI ESTUVIERA DAÑADA O FUERA ILEGIBLE.</p>

CARACTERÍSTICAS TÉCNICAS

			Disco 90 cm	Rodillos 75cm
Anchura de trabajo		mm	920	750
		inch	36.22	29.52
Anchura secador de suelos		mm	1100	1010
		inch	43.3	39.76
Rendimiento horario		m ² /h	5300	4300
		ft ² /h	57048.72	46284.81
Número de cepillos		no.	2	2
Diámetro del cepillo		mm	460	150x750
		inch	18.11	5.9x29.52
Presión máxima del cepillo		kg	100	50
		lbs	220.46	110.23
Velocidad de rotación del cepillo		rpm	200	1000
Potencia del motor del cepillo		W	400x2	1000
		HP	0.53x2	1.34
Potencia del motor de tracción		W	560	560
		HP	0.75	0.75
Potencia del motor de aspiración		W	672	672
		HP	0.9	0.9
Potencia de la máquina, (P _M)		W	2592	2592
		HP	3.47	3.47
Velocidad máxima		km/h	6	6
		mph	3.72	3.72
Depósito de la solución		l	125	125
		gal	33.02	33.02
Depósito de agua sucia		l	135	135
		gal	35.66	35.66
Diámetro de la rueda delantera		mm	300	300
		inch	11.81	11.81
Diámetro de la rueda trasera		mm	300	300
		inch	11.81	11.81
Pendiente superable			16% / 9°	16% / 9°
Peso bruto (GVW) con la batería más pesada		kg	917	936
		lbs	2021.64	2063.53
Peso de transporte sin baterías		kg	292	300
		lbs	643.75	661.39
Peso de transporte con la batería más pesada		kg	707	715
		lbs	1558.67	1576.31
Tensión de la máquina, V _M		V	36	36
Número de baterías	GEL/AGM	no.	6	6
Capacidad de cada batería		Ah (20h)	350	350
Peso de una batería		kg	48,2	48,2
	lbs	106.3	106.3	
Número de baterías	WET-ÁCIDO	no.	6	6
Capacidad de cada batería		Ah (20h)	360	360
Peso de una batería		kg	44,5	44,5
	lbs	98	98	
Tensión de alimentación (recarga baterías)		V	36 dc	36 dc
Amperios máx. (recarga baterías)		A	40	40
Medidas de la máquina		mm	1720	1810
		X	1100	1050
		Y	1360	1360
		Z		
		inch	67.71	71.25
		X	43.3	41.33
		Y	53.54	53.54
		Z		

Medidas del compartimento de las baterías (largo, ancho, alto)	mm	620 530 440	620 530 440
	inch	24.4 20.86 17.32	24.4 20.86 17.32
Dimensiones de la máquina sin secador de suelos (largo, ancho, alto)	mm	2000 1280 1670	2000 1280 1670
	inch	78.74 50.39 65.74	78.74 50.39 65.74
Presión acústica - Anexo DD (Emisión del ruido acústico) EN 60335-2-72: 2012	LpA (dBA)	72	72
Incertidumbre de la medida	K (dBA)	3	3
Vibraciones mano - IEC 60335-2-72	ahv m/sec ²	≤2,5	≤2,5
Vibraciones cuerpo - IEC 60335-2-72	HBV m/sec ²	≤0,5	≤0,5
Temperatura máxima del agua y detergente	°C	55	55
Grado IP	IP	IPX3	IPX3

Peso bruto (GVW): peso máximo con carga plena admitido de la máquina lista para el uso y de su carga útil. El peso bruto de la máquina incluye el depósito de agua y detergente lleno de agua limpia, el depósito de agua sucia vacío, las bolsas de recogida del polvo vacías, la tolva cargada con la capacidad nominal, las baterías más grandes aconsejadas, todos los accesorios, tales como cables, tubos, detergentes, escobas y cepillos.

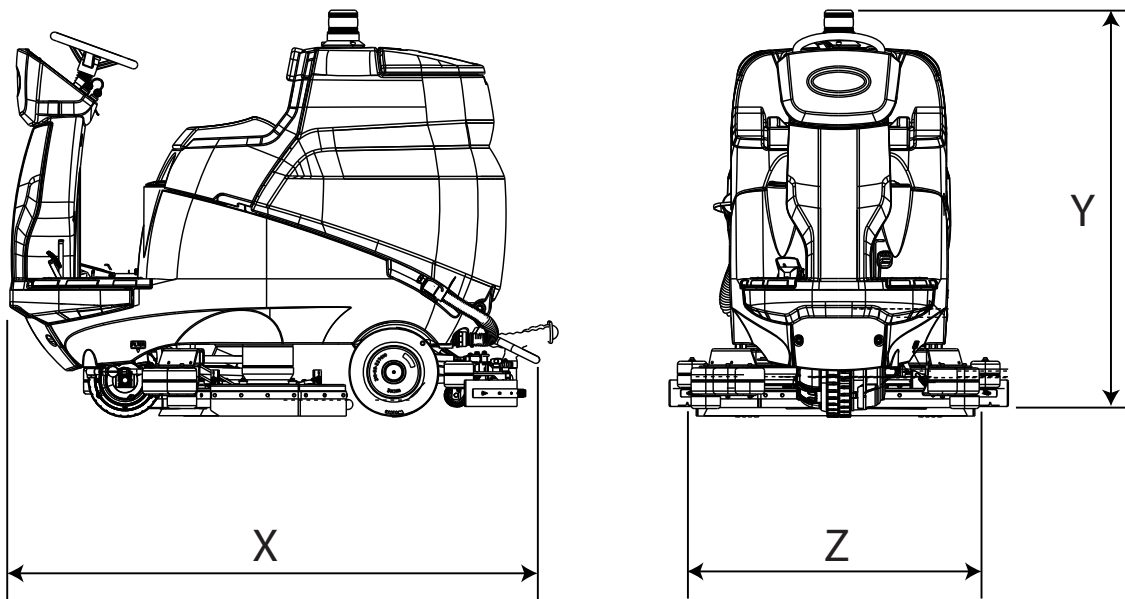
Peso transportado: peso de transporte de la máquina, que incluye las baterías pero excluye los opcionales (por ejemplo, la cabina del conductor, el FOPS, el segundo y tercer cepillo lateral, el acoplamiento frontal para los cepillos), el agua fresca (en el caso de scrubber o de máquinas combinadas) y el peso de un operador normal (75 kg).

Datos sujetos a modificaciones sin aviso previo

V, I : valores para la recarga/alimentación

V_M, P_M : máquina en condiciones medias de trabajo (todas las funciones activas)

MEDIDAS DE LA MÁQUINA



X-Y-Z: Véase la tabla “CARACTERÍSTICAS TÉCNICAS”

INFORMACIÓN GENERAL

Finalidad del manual

Este manual ha sido redactado por el Fabricante y forma parte integrante de la [máquina](#)¹.

En el manual se define el uso previsto de la máquina y también contiene toda la información necesaria para los [operadores](#)².

Además de este manual, que contiene la información necesaria para los usuarios, se han redactado otras publicaciones que contienen información específica para los técnicos [encargados del mantenimiento](#)³.

Las indicaciones derecha o izquierda, horario o antihorario presentes en este manual siempre se refieren al sentido de avance de la máquina.

El respeto constante de las indicaciones garantiza la seguridad de las personas y de la máquina, un uso económico, la calidad de los resultados y una mayor duración del funcionamiento de la misma máquina. El incumplimiento de las prescripciones podría provocar daños al hombre, a la máquina, al suelo lavado y al medio ambiente.

Para localizar rápidamente los argumentos, consulte el índice descriptivo que se encuentra en el comienzo del manual.

Si bien la máquina en su poder se diferencia sensiblemente de las ilustraciones contenidas en este documento, se garantizan, igualmente, la seguridad y la información sobre la misma.

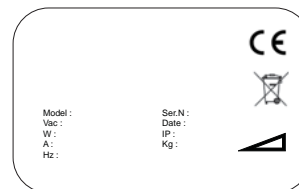
Identificación de la máquina

En la placa de características se hallan las siguientes informaciones:

- Identificación del Fabricante.
- Modelo.
- Número de serie (número de matrícula).
- Año de fabricación.
- Tensión de alimentación (valor para la recarga/alimentación).
- Intensidad de corriente (valor máximo de carga, compatible con las indicaciones dadas por el fabricante de las baterías).
- Peso bruto (GVW).
- Grado de protección IP.
- Tensión de la máquina (en condiciones medias de trabajo).
- Potencia de la máquina (en condiciones medias de trabajo).
- Pendiente máxima.

Documentación adjunta a la máquina

- Manual de uso;
- Tarjeta de garantía;
- Guía rápida para el uso;
- Instrucciones para la configuración del tipo de batería en la máquina;



¹ La definición «máquina» sustituye la denominación comercial a la que se refiere este manual.

² Son las personas que tienen la función de utilizar la máquina sin realizar trabajos que requieran una capacitación técnica específica.

³ Las personas con experiencia, capacitación técnica y conocimientos de la normativa pueden realizar los trabajos necesarios y son las que logran reconocer y evitar posibles peligros durante el desplazamiento, instalación, uso y mantenimiento de la máquina.

INFORMACIÓN TÉCNICA

Descripción general

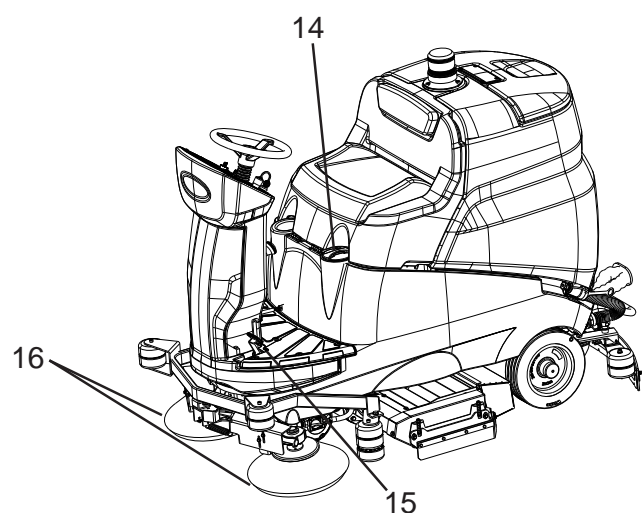
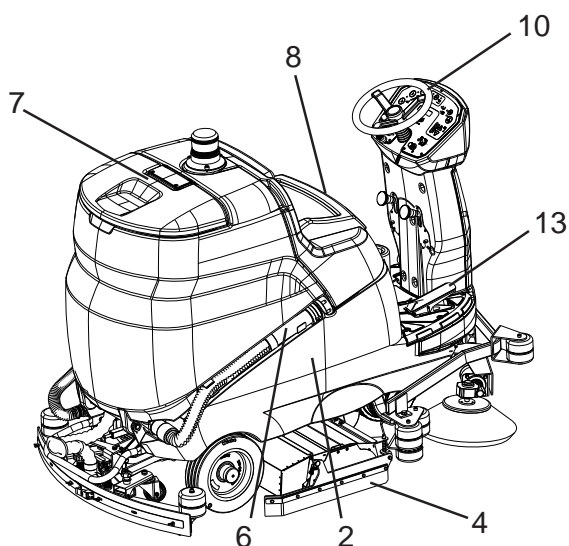
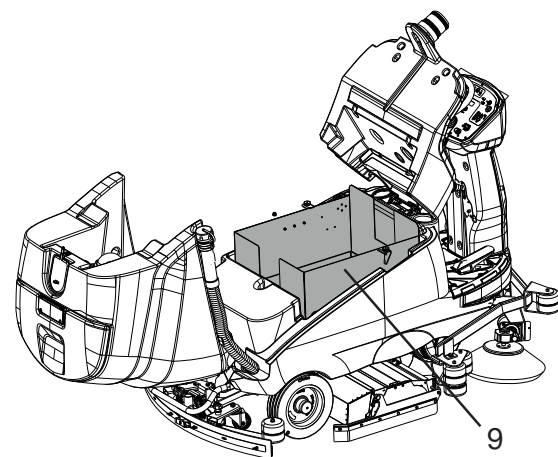
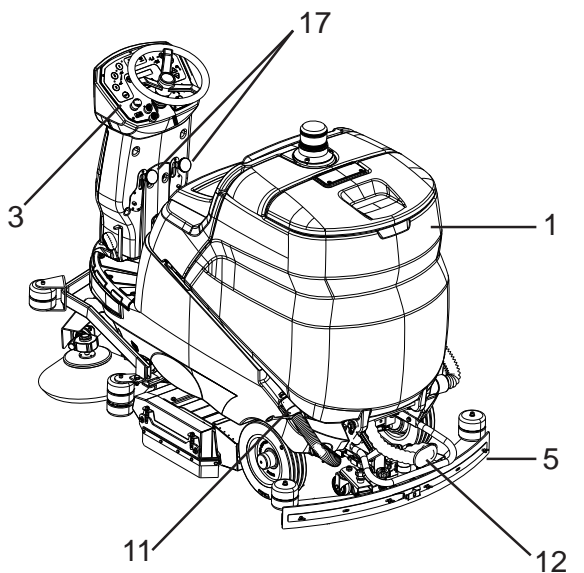
La máquina en cuestión es una fregadora-secadora de suelos, que se utiliza en entornos civiles e industriales para lavar y secar los suelos planos, horizontales, lisos o moderadamente irregulares, uniformes y sin obstáculos. La máquina distribuye sobre el suelo una solución dosificada de agua y detergente y lo cepilla adecuadamente a fin de remover la suciedad. Seleccionando atentamente el detergente para limpieza y los cepillos (o discos abrasivos) entre la dilatada gama de accesorios disponibles, la máquina se puede adaptar a diferentes combinaciones de tipos de suelo y de suciedad.

Un sistema de aspiración de líquidos, integrado en la máquina, permite secar el suelo recién lavado. El secado se produce a través del vacío del depósito de agua sucia generado por el motor de aspiración. El secador de suelos, conectado al mismo depósito, permite recoger el agua sucia.

Componentes principales de la máquina

Los componentes principales de la máquina son los siguientes:

1. Depósito de agua sucia.
2. Depósito de la solución.
3. Cuadro de mandos.
4. Grupo cabezal.
5. Secador de suelos.
6. Tubo de desagüe del depósito de agua sucia.
7. Tapa del depósito de agua sucia.
8. Asiento del operador.
9. Alojamiento de las baterías.
10. Volante.
11. Tubo de desagüe del depósito de la solución.
12. Tubo del secador de suelos.
13. Pedal del acelerador.
14. Boca de llenado del depósito de la solución.
15. Pedal del freno de servicio y de estacionamiento.
16. Cepillos laterales (solo versión con cabezal de rodillos).
17. Palancas de accionamiento de los cepillos laterales (solo versión con cabezal de rodillos).



Cuadro de mandos

La máquina incorpora los siguientes mandos e indicadores luminosos:

18. Botón de enganche/desenganche cepillos (solo modelo de disco), habilita el enganche o el desenganche automático de los cepillos.
19. Interruptor general / Llave de encendido, activa y desactiva la alimentación eléctrica de todas las funciones de la máquina.
20. Pulsador de parada de emergencia, actúa como dispositivo de seguridad.
21. Potenciómetro de velocidad, regula la velocidad máxima de avance y de retroceso de la máquina.
22. Selector de dirección de marcha, determina el avance o la marcha atrás.
23. Botones «+» y «-», pulsando estos botones se determina la cantidad de flujo suministrado.
24. Pantalla, muestra: Tensión (Voltios) de las baterías, Códigos de alarma y Cuentahoras.
25. Botón de la bocina.
26. Botón del aspirador, activa/desactiva el aspirador.
27. Botón de los cepillos, habilita/inhabilita el funcionamiento del cabezal.
28. Indicador de nivel del depósito de la solución, cuando en el depósito de la solución la cantidad del agua no es suficiente, se enciende el led.
29. Indicador de nivel del depósito de agua sucia, cuando el depósito de agua sucia está lleno, se enciende el led.

30. Botones programas de trabajo (FUNCIONAMIENTO AUTOMÁTICO DE LA MÁQUINA): estos botones determinan el programa de trabajo de la máquina:

- 1, programa de lavado de intensidad ligera para suelos lisos no demasiado sucios.
- 2, programa de lavado de intensidad media para suelos lisos con suciedad evidente.
- 3, programa de lavado muy intenso para suelos rugosos (cemento, etc.) con suciedad tenaz.

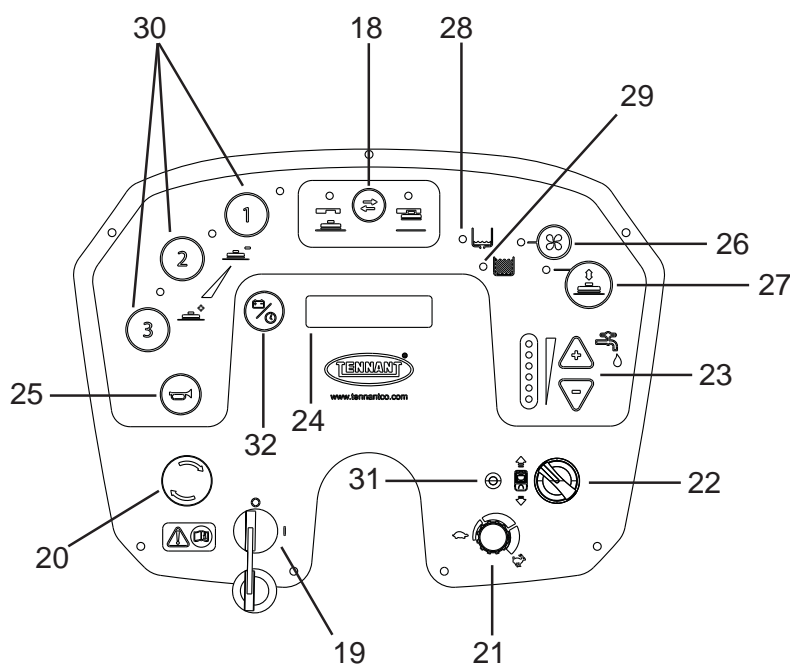
31. Led de estado del accionamiento de la motorrueda.

32. Botón de programación, pulsando este botón se desplazan los parámetros configurables en el software de la máquina.

Accesorios

Véase la lista de las piezas de repuesto recomendadas

- Cepillos/rodillos de fibra de palma, se utilizan para lavar los suelos delicados y para el lustrado.
- Cepillos/rodillos de polipropileno, se utilizan para el lavado normal de los suelos.
- Cepillos/rodillos de tinex, se utilizan cuando se acumula suciedad tenaz sobre los suelos no delicados.
- Porta Pad: permite utilizar varios tipos de Pads de limpieza.
- Batería WET y GEL.
- Cargador de baterías.



DESPLAZAMIENTO E INSTALACIÓN

Levantamiento y transporte de la máquina embalada

! ATENCIÓN: en todas las operaciones de levantamiento asegúrese de haber fijado firmemente la máquina embalada, a fin de evitar vuelcos o caídas accidentales.

Las operaciones de carga y descarga de los camiones deben llevarse a cabo con una iluminación adecuada.

La máquina, embalada en un palet de madera por el Fabricante, deberá ser cargada sobre el vehículo de transporte con equipos de manipulación apropiados (consulte la Directiva 2006/42/CEE y siguientes modificaciones y/o integraciones) y, cuando llegue a destino, deberá ser descargada con equipos similares.

El cuerpo de la máquina embalado deberá levantarse solo utilizando una carretilla elevadora de horquillas. Manipule con cuidado sin golpear la máquina ni volcarla.

Controles que se deben realizar en el momento de la entrega

Cuando el transportista entregue la máquina, controle con atención la integridad del embalaje y la de la máquina embalada. Si la máquina ha sufrido daños, comuníquesele inmediatamente al transportista; antes de aceptar la mercancía, resérvese por escrito de presentar una solicitud de daños y perjuicios.

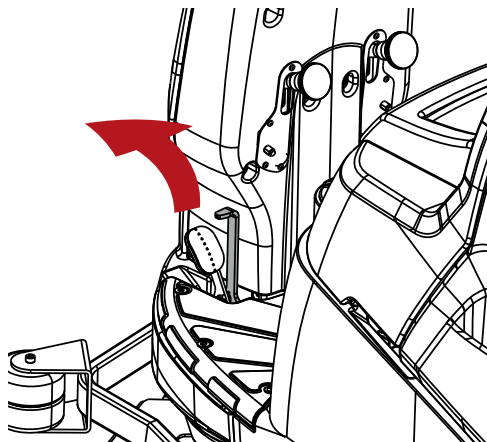
Desembalaje

! PELIGRO: durante el desembalaje de la máquina el operador deberá utilizar los accesorios necesarios (guantes, gafas, etc.) para limitar los riesgos de accidentes.

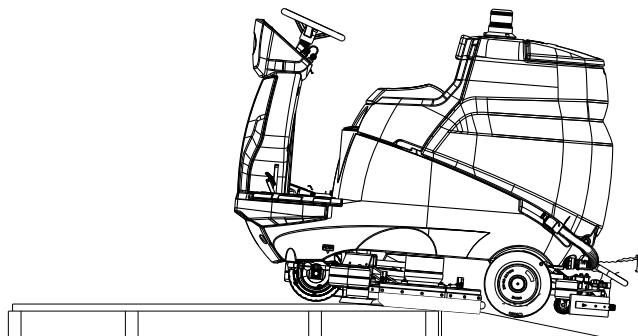
Desembale la máquina siguiendo estas operaciones:

- corte los flejes de plástico con tijeras o tenazas y elimínelos;
- quite el cartón;
- retire los sobres del interior del alojamiento de las baterías y compruebe el contenido: manual de uso; tarjeta de garantía; guía rápida de uso; instrucciones para configurar el tipo de batería en la máquina; puentes de batería con bornes; 1 conector para el cargador de baterías; 2 llaves.
- retire los soportes metálicos que fijan las ruedas delanteras/traseras y el chasis de la máquina al palet;

- desbloquee el freno de estacionamiento pulsando la palanca situada al lado del pedal.
- Antes de bajar la máquina del embalaje, compruebe que el grupo cabezal esté levantado.



- Utilizando una rampa, baje la máquina del palet empujándola marcha atrás. No levante la máquina.



- desembale los cepillos;
- limpie la parte exterior de la máquina respetando las normas de seguridad;

Una vez que la máquina esté lejos del embalaje, se puede proceder con la instalación de las baterías, consulte la sección «**Baterías: instalación y conexión**».

Si fuera necesario, conserve los elementos del embalaje, ya que pueden utilizarse para proteger la máquina en caso de cambio de lugar o para enviarla al taller para la reparación.

En caso contrario, hay que eliminarlos según lo previsto por las leyes vigentes en materia.

Baterías de alimentación

! ATENCIÓN: utilice SOLO baterías recargables

En estas máquinas se pueden instalar dos tipos diferentes de baterías:

Baterías blindadas tubulares (WET): requieren un control periódico del nivel de electrolito.

Baterías de GEL o AGM: este tipo de baterías no necesita mantenimiento.

Las características técnicas deben coincidir con aquellas indicadas en la sección «**Características Técnicas**» de la máquina: en efecto, utilizar baterías más pesadas podría comprometer, incluso seriamente, la maniobrabilidad y sobrecalentar el motor de tracción; las baterías de menor capacidad y peso necesitan ser cargadas con mayor frecuencia.

Configuración de la selección de la batería en la máquina

! ATENCIÓN: para las máquinas suministradas sin baterías, la máquina está configurada de fábrica para baterías de plomo-ácido húmeda como configuración por defecto.

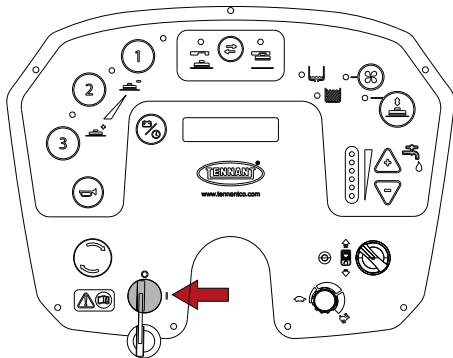
De acuerdo con el tipo de batería seleccionado (de plomo-ácido húmeda o de gel sellada / AGM), también DEBEN modificarse los parámetros de la batería de la máquina; para las instrucciones, consulte la sección «Baterías de alimentación».

! INFORMACIÓN

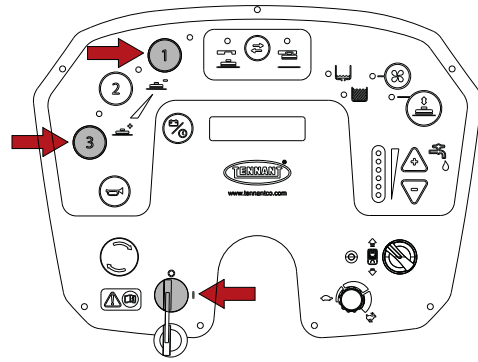
Configure en el Software de la máquina el tipo de batería instalada.

Siga estas instrucciones para configurar el tipo de batería instalada en la lógica de la máquina:

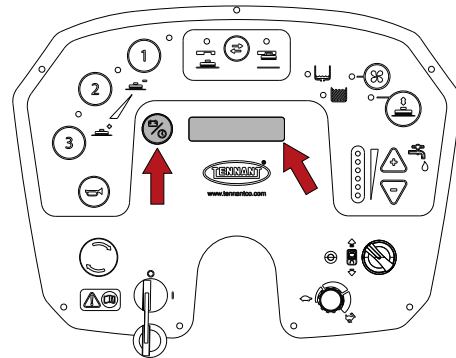
- Apague la máquina girando la llave de encendido.



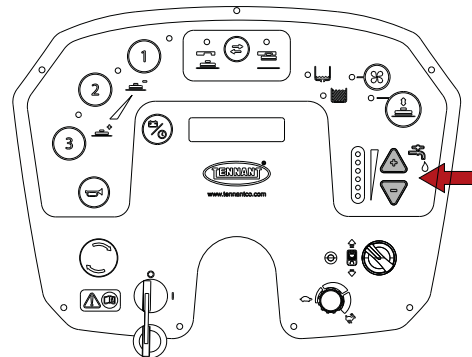
- Pulse los botones « 1 y 3 » simultáneamente, luego encienda la máquina girando la llave de encendido.



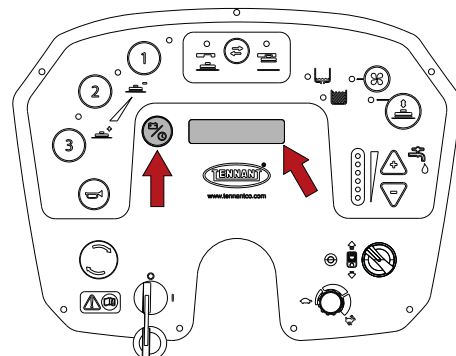
- Pulse tres veces el botón de programación, en la pantalla aparecerá escrito «Batería GEL».




- Seleccione con los botones «+» o «-» los tipos de batería instalada: «Batería ÁCIDO» o «Batería GEL».





- Memorice el parámetro pulsado el botón de programación hasta que en la pantalla se visualice el valor de tensión de las baterías.




Baterías WET, preparación:


 **! PELIGRO:** las baterías deberán ser instaladas y conectadas / extraídas por personal técnico cualificado de TENNANT (en adelante personal cualificado).

 **! PELIGRO:** durante la instalación o cualquier tipo de mantenimiento de las baterías, el personal cualificado deberá utilizar los accesorios necesarios (guantes, gafas, ropa de protección, etc.) para limitar los riesgos de accidentes, también deberá mantenerse alejado de las llamas abiertas, no cortocircuitar los polos de las baterías, no causar chispas ni fumar.

 **! PELIGRO:** en caso de fuga del líquido de la batería, no toque el líquido y observe las siguientes precauciones:
El contacto con la piel puede causar irritación, lavar con agua y jabón.
La inhalación puede causar irritación de las vías respiratorias, exponer al aire libre y consultar a un médico.
El contacto con los ojos puede causar irritación, lavar inmediatamente los ojos con abundante agua durante al menos 15 minutos, consultar a un médico.


Baterías: instalación y conexión

 **! PELIGRO:** durante la instalación o cualquier tipo de mantenimiento de las baterías, el personal cualificado deberá utilizar los accesorios necesarios (guantes, gafas, ropa de protección, etc.) para limitar los riesgos de accidentes, también deberá mantenerse alejado de las llamas abiertas, no cortocircuitar los polos de las baterías, no causar chispas ni fumar.

 **! PELIGRO:** en caso de fuga del líquido de la batería, no toque el líquido y observe las siguientes precauciones:
El contacto con la piel puede causar irritación, lavar con agua y jabón.
La inhalación puede causar irritación de las vías respiratorias, exponer al aire libre y consultar a un médico.
El contacto con los ojos puede causar irritación, lavar inmediatamente los ojos con abundante agua durante al menos 15 minutos, consultar a un médico.

! ATENCIÓN: las baterías deben ser instaladas y conectadas por personal técnico cualificado.

! ATENCIÓN: antes de realizar las operaciones que se describen a continuación, detenga la máquina en una superficie en plano, apáguela, retire la llave de encendido y ponga el freno de estacionamiento.

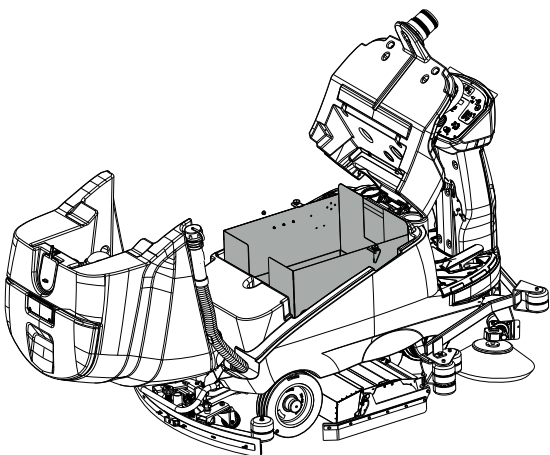
 **! PELIGRO:** monte en los polos positivos solo bornes marcados con el símbolo «+». No controle la carga de las baterías produciendo chispas.

Gire hacia adelante el asiento y hacia atrás el depósito, introduzca las baterías en el alojamiento, orientándolas como se muestra en el dibujo del contenedor de las baterías.

Conecte los bornes de los cables a los polos de las baterías, apriete los bornes en los polos y cúbralos con vaselina.

Cierre el depósito en la posición de trabajo.

Utilice la máquina según las instrucciones dadas a continuación.



Elección del cargador de baterías

! ATENCIÓN: verifique que el cargador de baterías sea compatible con las baterías que se deben cargar.

Baterías tubulares de plomo (WET): se recomienda un cargador de baterías electrónico; consulte con el fabricante y el manual del cargador de baterías para confirmar la idoneidad del cargador de baterías exterior.

Baterías de gel o AGM: utilice un cargador de baterías específico para este tipo de baterías.

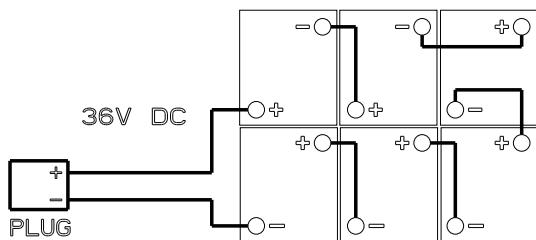
Preparación del cargador de baterías

! ATENCIÓN: este procedimiento debe ser realizado solo por un técnico autorizado.

Si se desea utilizar un cargador de baterías no suministrado con la máquina, habrá que montarle el conector enviado junto con la máquina.

El conector entregado para el cargador de baterías exterior es adecuado para los cables de sección máxima 16 mm². Para instalar el conector proceda de la siguiente manera: pele unos 13 mm el cable rojo y el cable negro del cargador de baterías;

introduzca los cables en los contactos del conector y aplaste con fuerza con pinzas adecuadas; introduzca los cables en el conector, respetando las polaridades (cable rojo +, cable negro -).



Configuraciones del cargador de baterías

! ATENCIÓN: para las máquinas suministradas sin baterías, la máquina está configurada de fábrica para baterías de plomo-ácido húmeda como configuración por defecto.

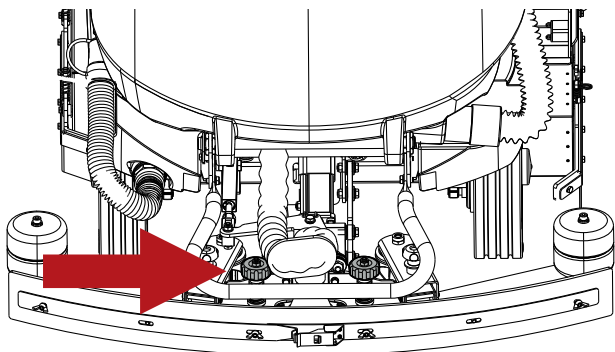
Dependiendo del tipo de batería instalada, asegúrese de que el cargador de baterías esté configurado correctamente.

El incumplimiento de estas instrucciones puede provocar daños a la batería. De acuerdo con el tipo de batería seleccionado (de plomo-ácido húmeda o de gel sellada / AGM), también DEBEN modificarse los parámetros de la batería de la máquina; para las instrucciones, consulte la sección «Baterías de alimentación».

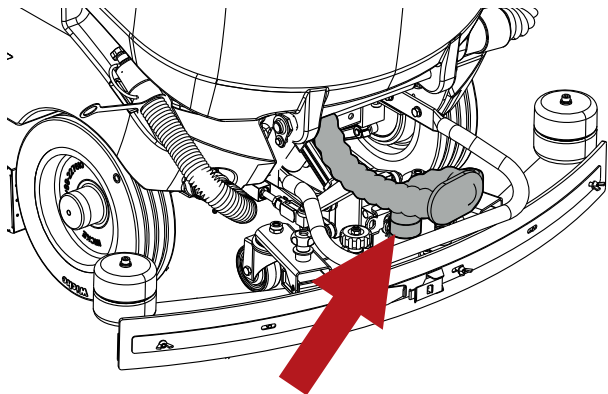
Instalación del secador de suelos

! ATENCIÓN: antes de realizar las operaciones que se describen a continuación, detenga la máquina en una superficie en plano, apáguela, retire la llave de encendido y ponga el freno de estacionamiento.

- Afloje los dos volantes.
- Introduzca los dos pernos roscados en los dos agujeros alargados del soporte.



- Conecte el tubo de aspiración del secador de suelos haciendo que haga la curva como se muestra en la imagen.
- Enrosque los dos volantes.

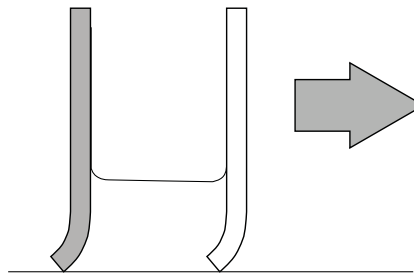


La regulación del secador de suelos se configura en fábrica. Si fuera necesario regular el labio del secador de suelos, consulte la sección «Regulación del secador de suelos».

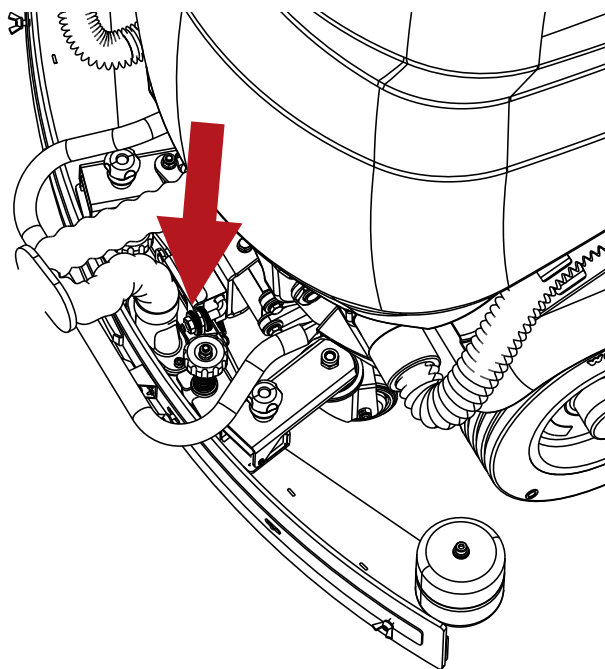
Regulación del secador de suelos

! ATENCIÓN: antes de realizar las operaciones que se describen a continuación, detenga la máquina en una superficie en plano, apáguela, retire la llave de encendido y ponga el freno de estacionamiento.

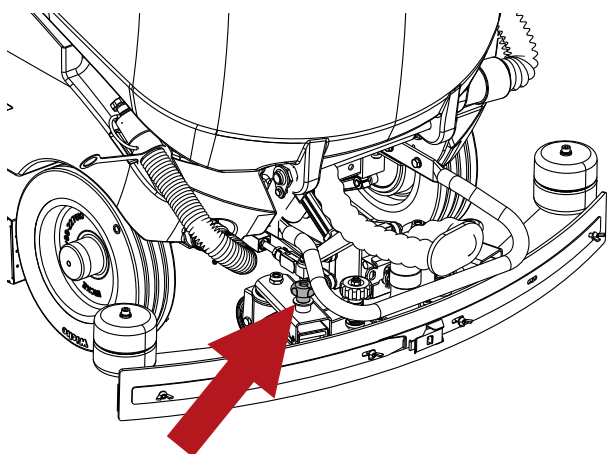
Los labios del secador tienen la función de recoger del suelo la película de agua y detergente para que el suelo quede perfectamente seco. Con el pasar del tiempo, el roce continuo redondea y fisura el canto vivo en contacto con el suelo, comprometiendo la eficacia de secado y, por consiguiente, habrá que sustituir el labio. Por dicho motivo, controle a menudo las condiciones de los labios; Para obtener un secado perfecto, regule el secador de suelos como se muestra en la figura, de manera que el labio trasero quede flexionado durante el trabajo en alrededor de 45° respecto del suelo en toda su longitud.



Es posible regular la inclinación de los labios girando el volante situado sobre el secador de suelos.



También es posible regular la altura del secador de suelos regulando la altura de las dos ruedas colocadas delante/detrás del secador de suelos, girando los volantes correspondientes.



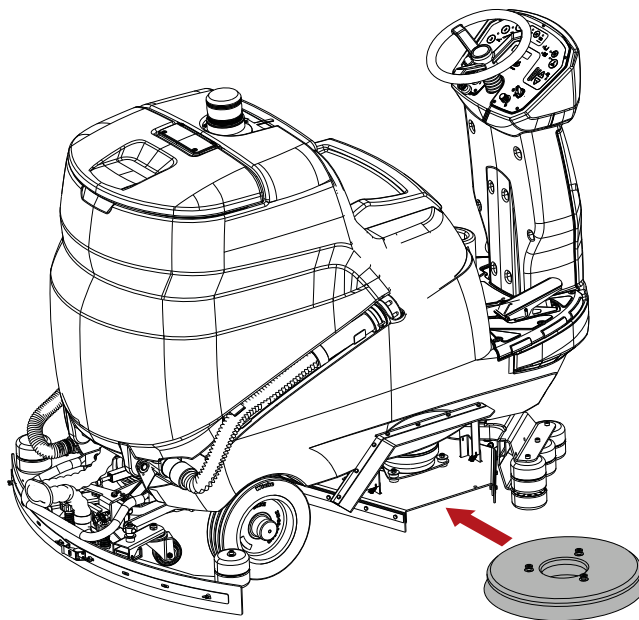
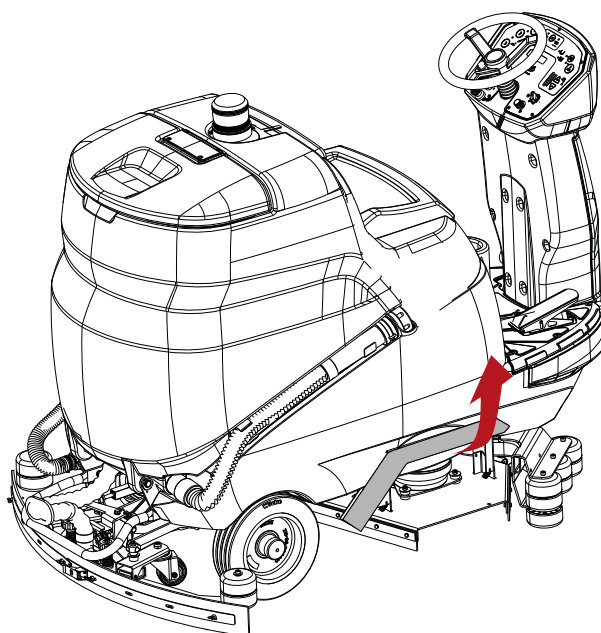
Instalación del Cepillo / Porta Pad

! ATENCIÓN: antes de realizar las operaciones que se describen a continuación, detenga la máquina en una superficie en plano, apáguela, retire la llave de encendido y ponga el freno de estacionamiento.

! ATENCIÓN: antes de instalar el Porta Pad en la máquina, asegúrese de haber montado el PAD en el Porta Pad.

Montaje de los cepillos (o Porta Pad):

- levante las tapas laterales de ambos lados y sitúe los cepillos debajo del cabezal, procurando que apoyen contra los elementos de centrado para alinearlos con el grupo de enganche.



Instalación de los cepillos (cabezal de rodillos)

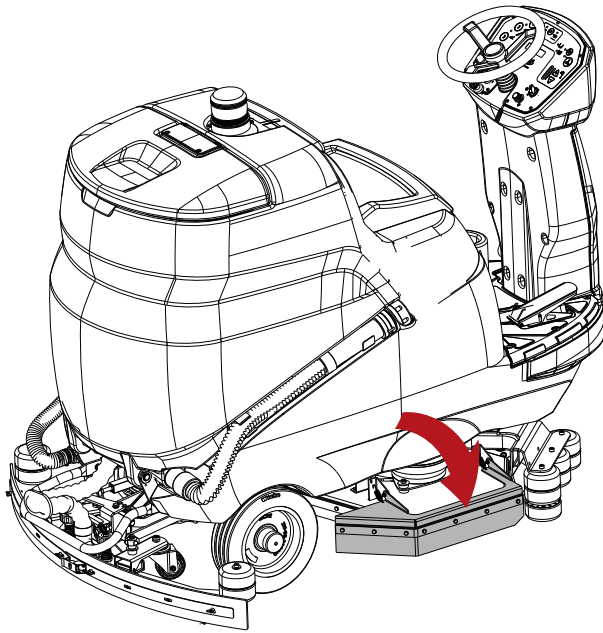
! ATENCIÓN: antes de realizar las operaciones que se describen a continuación, detenga la máquina en una superficie en plano, apáguela, retire la llave de encendido y ponga el freno de estacionamiento.

! INFORMACIÓN

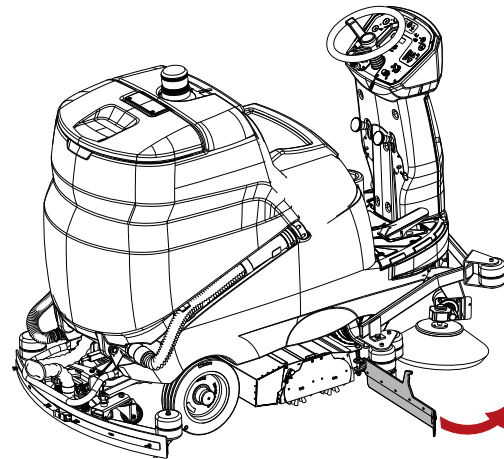
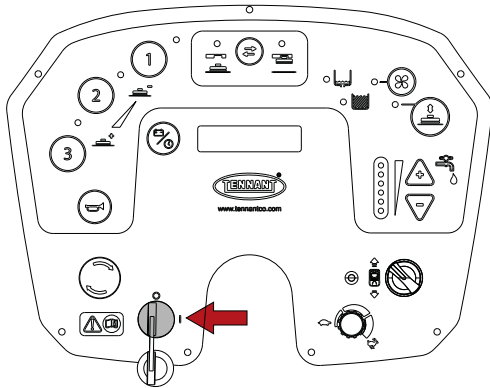
Las indicaciones DERECHA e IZQUIERDA siempre se refieren al sentido de avance de la máquina.

Montaje:

- Abra la tapa lateral derecha desenganchando el muelle.

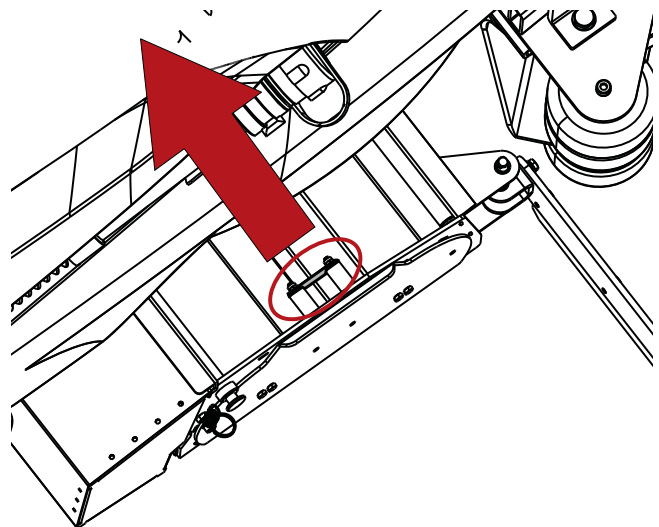


- Encienda la máquina girando la llave de encendido.



- Retire la tapa del alojamiento de los cepillos tirando de la palanca de desenganche.

- Pulse el botón de enganche/desenganche de los cepillos, la máquina realizará primero una operación de desenganche, habilitando la operación de enganche inmediatamente después; la máquina ahora estará lista para el enganche, que se puede realizar pulsando de nuevo el botón de enganche y desenganche de los cepillos.

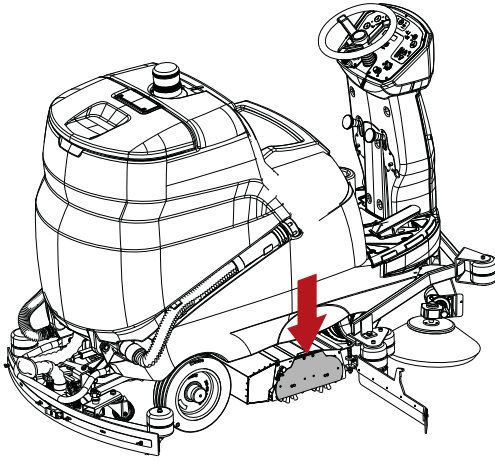


Instalación de los cepillos laterales (cabezal de rodillos)

! ATENCIÓN: antes de realizar las operaciones que se describen a continuación, detenga la máquina en una superficie en plano, apáguela, retire la llave de encendido y ponga el freno de estacionamiento.

! INFORMACIÓN

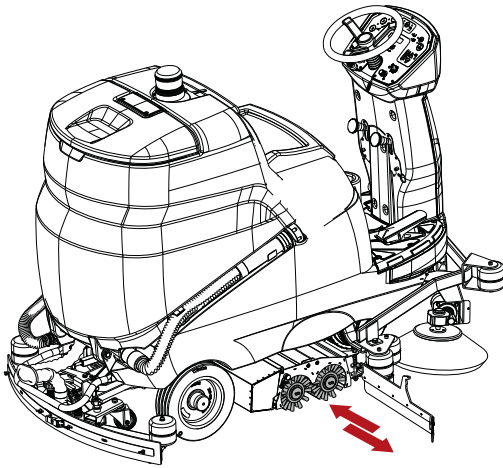
Las indicaciones DERECHA e IZQUIERDA siempre se refieren al sentido de avance de la máquina.



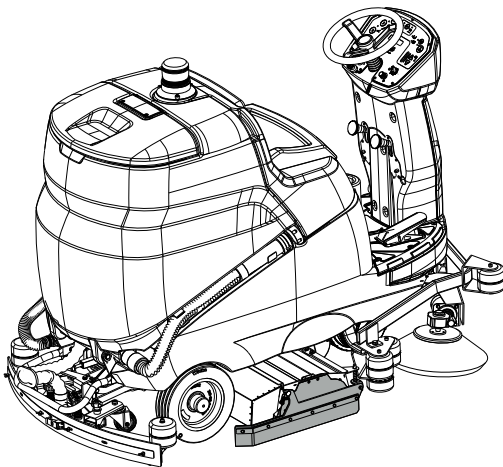
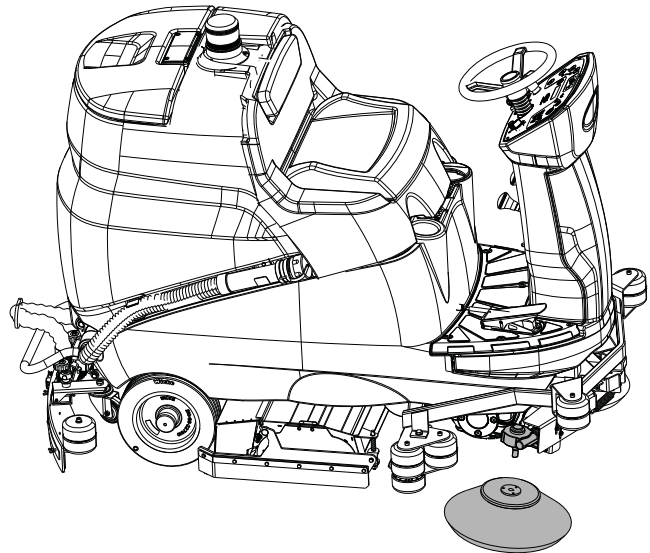
- Introduzca los cepillos de rodillos en ambos alojamientos, teniendo cuidado en interceptar correctamente el perno de guía que se encuentra en el lado contrario.

Montaje:

- Desenrosque el tornillo que está en el eje motor.
- Controle que en el eje motor esté montada la chaveta de arrastre.
- Introduzca el cepillo con la brida en el eje motor.
- Vuelva a apretar el tornillo de fijación.



- Vuelva a montar la tapa y cierre la tapa lateral.



Desmontaje:

- Realice la misma secuencia en el orden inverso.

Desmontaje:

- Realice la misma secuencia en el orden inverso.

Llenado del depósito de la solución

! ATENCIÓN: antes de realizar las operaciones que se describen a continuación, detenga la máquina en una superficie en plano, apáguela, retire la llave de encendido y ponga el freno de estacionamiento.



! PELIGRO: los líquidos inflamables puede provocar explosiones o incendios. No introduzca líquidos inflamables en el depósito.

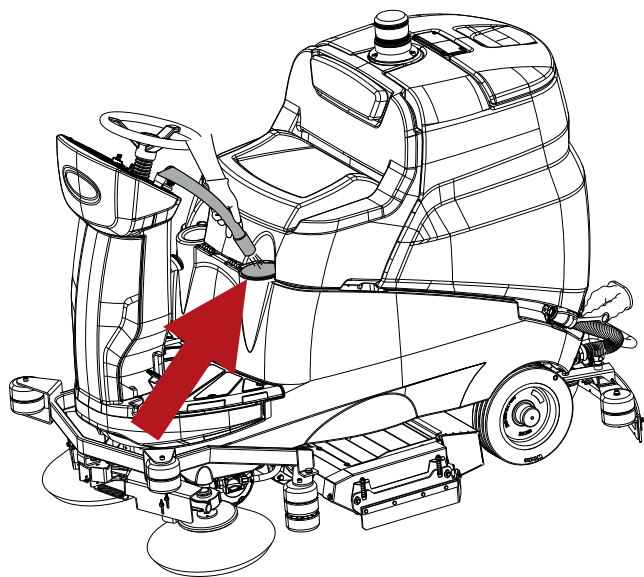
! ATENCIÓN: llene el depósito con detergente a una temperatura comprendida entre +4°C / 39.2°F y 55°C/131°F.

! ATENCIÓN: la máquina ha sido diseñada para ser utilizada con detergentes suministrados o recomendados por el fabricante. El uso de otros detergentes o sustancias químicas puede influir sobre la seguridad del equipo.

! ATENCIÓN: se aconseja utilizar razonablemente el detergente según las prescripciones indicadas en el envase del producto.

! ATENCIÓN: elija entre la gama de los productos recomendados, aquel adecuado para el lavado que deba efectuar y dilúyalo con agua según las instrucciones indicadas en el envase del producto o en el catálogo.

Rellene el depósito a través de la abertura correspondiente.



GUÍA PRÁCTICA PARA EL OPERADOR

Ropa y equipamiento

Utilice zapatos de seguridad con suela antideslizante. Póngase gafas de protección o máscara y la ropa de seguridad.

Dependiendo de la superficie a limpiar y su entorno, las medidas de protección necesarias para las nieblas pulverizadas pueden incluir mascarillas respiratorias de clase FFP2, equivalentes o superiores.

Antes de poner en funcionamiento la máquina

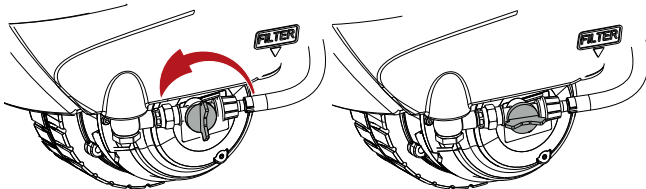
Recoja los residuos voluminosos antes de lavar. Recoja los pedazos de alambre, cintas y sogas porque podrían enredarse en los cepillos.

Antes de empezar a lavar, barra la zona para evitar que se formen rayas en el suelo.

Preparación de la máquina para el trabajo

Antes de comenzar a trabajar, lleve a cabo las siguientes operaciones:

- Compruebe que las baterías estén completamente cargadas, si así no fuera, proceda con la carga, para esta operación siga las instrucciones del apartado «Carga de las baterías».
- Asegúrese de que el depósito de agua sucia esté vacío; si así no fuera, vacíelo, véase el apartado «Vaciado del depósito de agua sucia».
- Asegúrese de que el depósito de la solución esté lleno; si así no fuera, llénelo, véase el apartado «Llenado del depósito de agua/detergente».
- Asegúrese de que el grifo de salida de la solución esté abierto.



Trabajo

! ATENCIÓN: no utilice la máquina si no ha leído el manual de uso y mantenimiento.

! INFORMACIÓN

Soltando el pedal del acelerador se apagan automáticamente todas las funciones antes de 5 segundos (Power Off-On), en esta condición de pausa el indicador luminoso correspondiente al programa escogido destellará. Para reactivar las funciones bastará con hacer avanzar la máquina sin deshabilitar el programa seleccionado (Power Off-On).

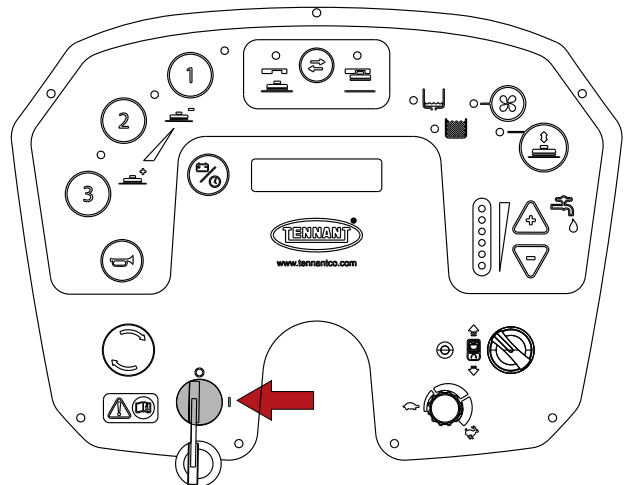
! INFORMACIÓN

Si la máquina se mueve marcha atrás, el secador de suelo se levanta automáticamente para evitar daños.

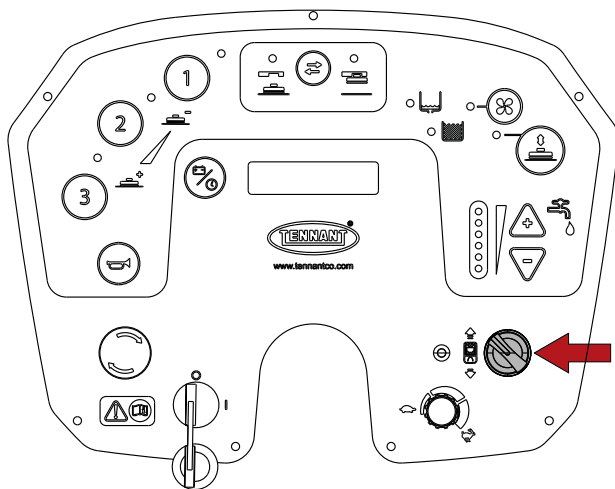


! PELIGRO: nunca recoja líquidos inflamables ni explosivos (ej. gasolina, aceite combustible, etc.), ácidos ni disolventes (ej. disolventes para pinturas, acetona, etc.) aunque estén diluidos.

- Siéntese en el asiento.
- Encienda la máquina girando la llave de encendido.



- Configure la marcha adelante con el selector de marcha.



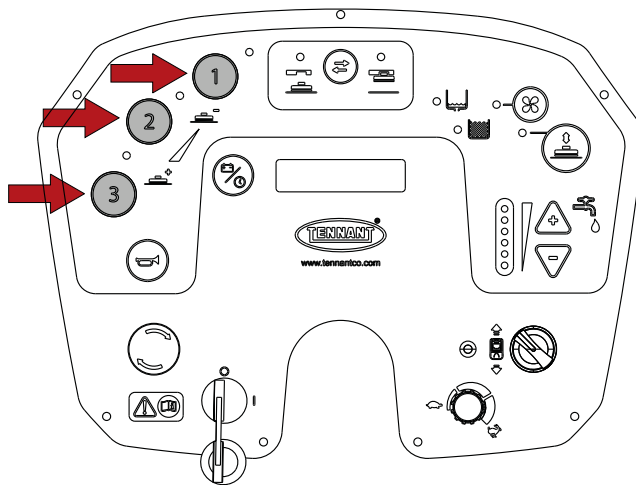
- Seleccione entre los tres programas disponibles, aquel más adecuado para el trabajo a ejecutar, pulsando estos botones se activarán todas las funciones del programa escogido (encendido motores cepillo, encendido aspiración):
 - 1, programa de lavado de intensidad ligera para suelos lisos no demasiado sucios.
 - 2, programa de lavado de intensidad media para suelos lisos con suciedad evidente.
 - 3, programa de lavado muy intenso para suelos rugosos (cemento, etc.) con suciedad tenaz.

Para cambiar de un programa a otro, primero deselectione el programa existente y luego seleccione el nuevo programa.

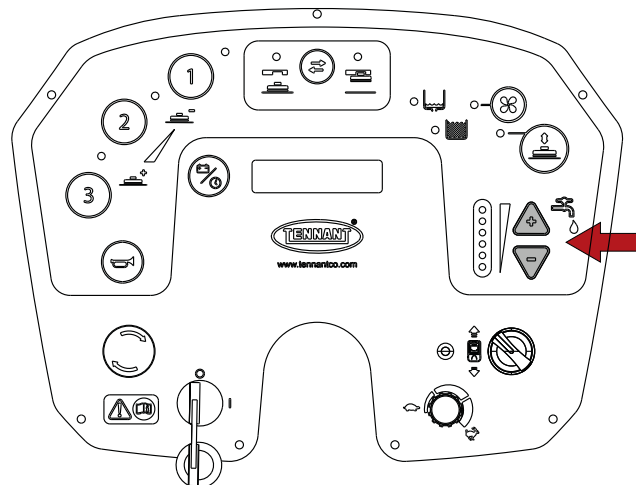
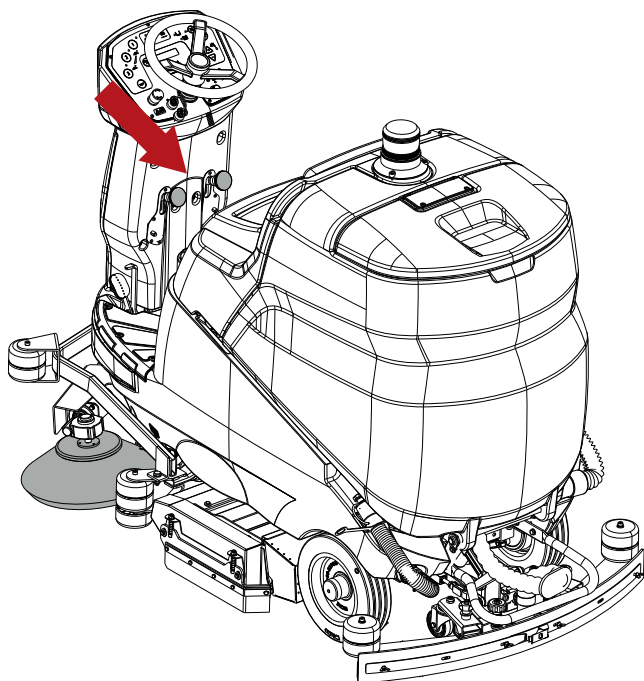
- **Versión con cabezal de rodillos**, baje los cepillos laterales tirando y bajando las palancas. Los motores de los dos cepillos se pondrán en marcha solo con los cepillos completamente bajos.

! INFORMACIÓN

Abajo de cada una de las palancas de accionamiento del cepillo lateral hay instalado un fusible rearmable. Si un cepillo lateral dejara de funcionar, pulse el botón para rearmar el fusible.



- Seleccione el flujo de la solución más adecuado para el tipo de lavado a realizar mediante los botones «+» y «-», la cantidad se visualiza a través del encendido de los ledes.

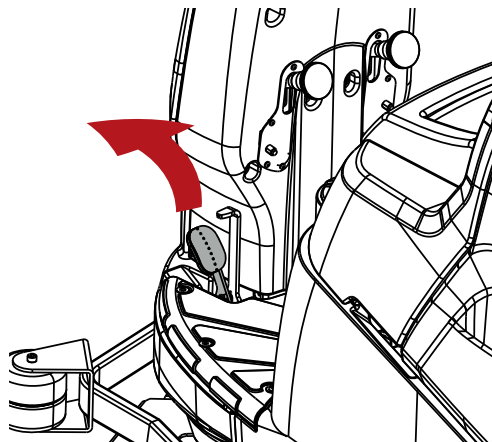
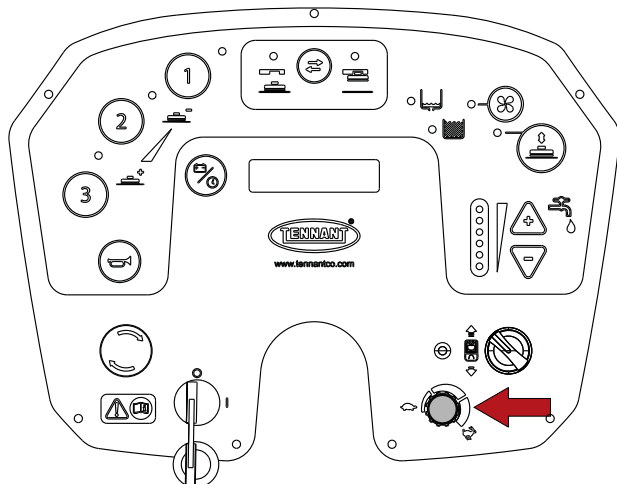


- Comience a limpiar maniobrando el volante con las manos y pulsando el pedal del acelerador.

Para activar el freno de estacionamiento, pulse hasta el fondo el pedal del freno.

! INFORMACIÓN: como medida de seguridad, al principio debe pisar el pedal del acelerador lentamente para que la máquina comience a moverse.

- Es posible configurar la velocidad máxima de trabajo girando el potenciómetro.



Para desactivar el freno de estacionamiento, pulse la palanca situada al lado del pedal.

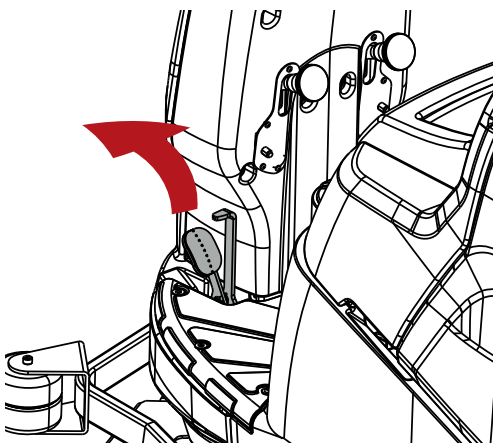
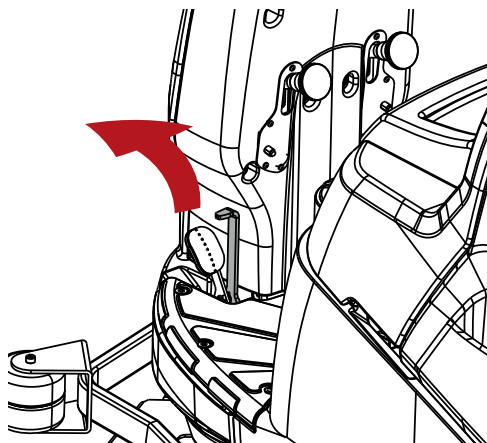
Para detener la máquina, suelte el pedal del acelerador y pulse el pedal del freno, consulte la sección «Freno de servicio y freno de estacionamiento».

! INFORMACIÓN

Versión con cabezal de rodillos, al final del trabajo levante los cepillos laterales.

Freno de servicio y freno de estacionamiento

Para accionar el freno de servicio, pulse el pedal del freno junto con la palanca de desbloqueo del freno de estacionamiento.

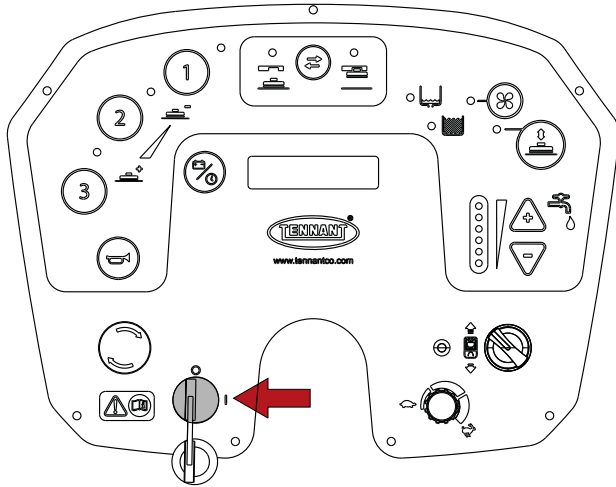


Lavado doble

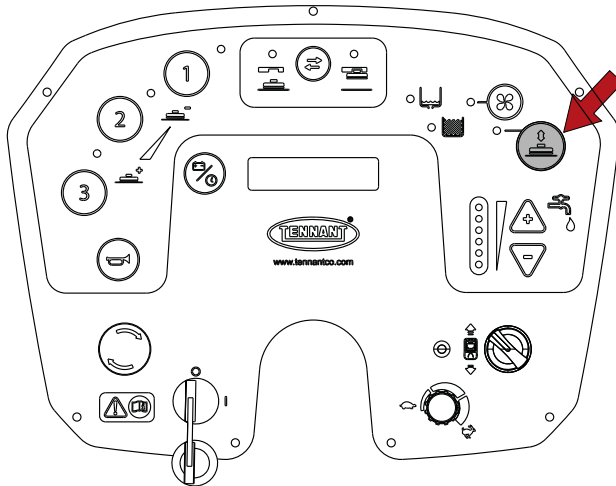
Si en el suelo hubiera un tipo de suciedad difícil de limpiar, la máquina puede hacer las operaciones de lavado y secado por separado.

Prelavado con el uso de cepillos o pad:

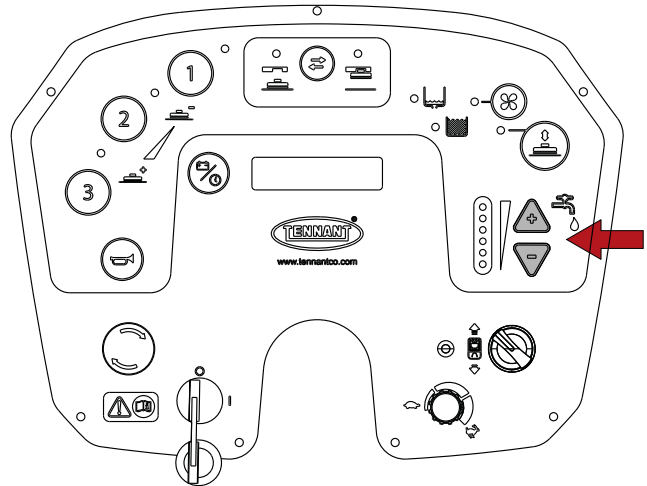
- Encienda la máquina girando la llave de encendido.



- Pulse el botón del cepillo.



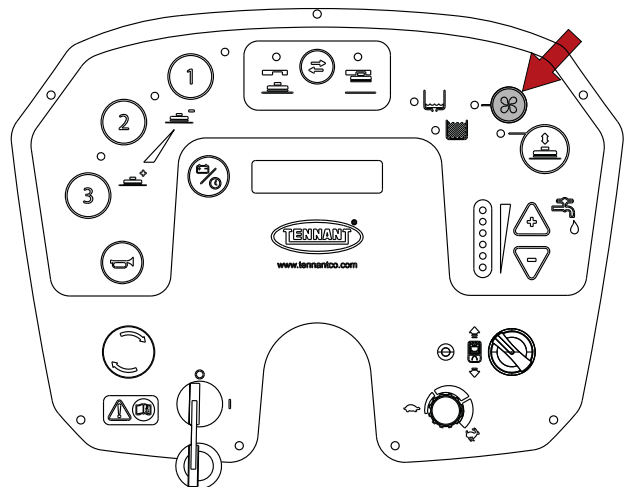
- Configure el flujo de la solución.



- Lave en especial los puntos más sucios, de esta manera el detergente tendrá el tiempo necesario como para cumplir su acción química de separación y suspensión de la suciedad y los cepillos podrán cumplir una acción mecánica eficaz.

Secado:

- Pulse el botón Aspirador, el aspirador se activará y el secador de suelos se bajará.

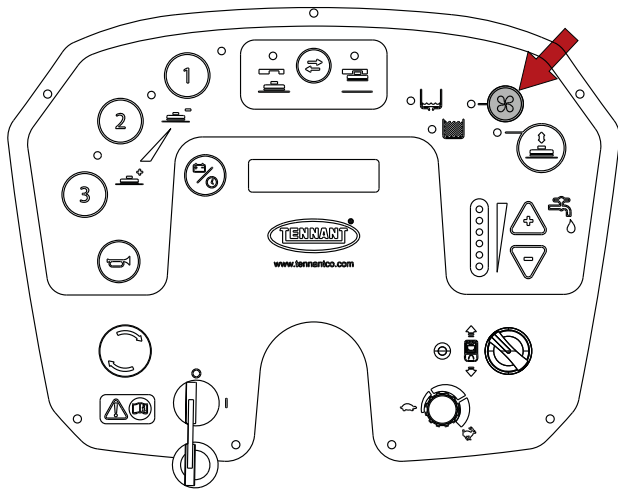


- Pase nuevamente por la misma zona antes lavada, así se obtiene un resultado equivalente al lavado profundo y se reducirán las operaciones de mantenimiento ordinario.

Recogida de agua (sin lavado)

La máquina se puede utilizar para recoger fugas de agua o de líquidos NO inflamables, sin necesidad de lavar.

Pulse el botón de aspiración, el secador de suelos se bajará y el ventilador de aspiración se pondrá en marcha. Recoger los líquidos.



Durante el funcionamiento de la máquina

- Trate de hacer recorridos lo más rectos posible.
- Superponga los recorridos de limpieza unos centímetros.
- Ajuste la velocidad de la máquina, la presión de los cepillos y el flujo de detergente de acuerdo con el tipo de limpieza. Si fuera posible, utilice las configuraciones mínimas para la presión de los cepillos y el flujo de detergente.
- Compruebe el indicador de batería para asegurarse de tener la autonomía necesaria para terminar el trabajo.
- Compruebe el indicador del depósito de la solución para asegurarse de que no esté vacío.
- Compruebe el indicador del depósito de agua sucia para asegurarse de que no esté lleno.
- Mantenga la máquina en movimiento hacia adelante para evitar daños en el acabado del suelo.

! ATENCIÓN: si se gira la llave hacia la posición «0», el grupo cabezal y el secador de suelos se levantarán automáticamente hacia la posición de transporte. Manténgase alejado de las piezas móviles para evitar posibles riesgos de aplastamiento.

! ATENCIÓN: no utilice la máquina para limpiar superficies en pendiente o rampas superiores a las indicaciones aplicadas en la máquina.

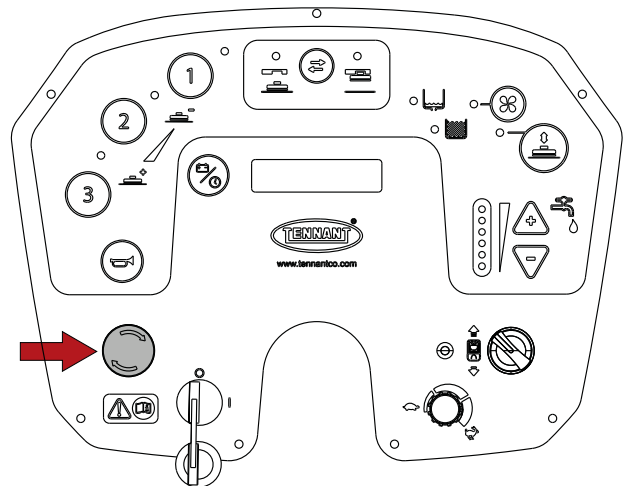
! ATENCIÓN: no utilice la máquina en pendientes o rampas superiores a las indicaciones aplicadas en la máquina.

! ATENCIÓN: cuando utilice la máquina en pequeñas pendientes, no la utilice en sentido transversal, quedando con el vehículo en posición paralela a la dirección de la pendiente, maniébrala con cuidado y sin hacer inversiones.

Pulsador de emergencia

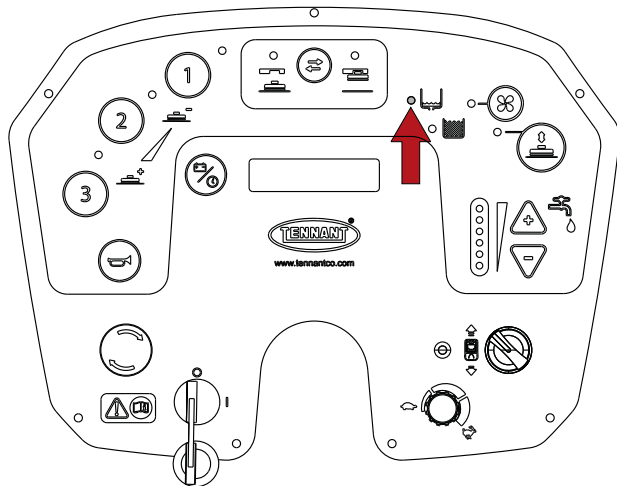
En caso de emergencia, el pulsador corta la alimentación de la máquina.

Para cortar la alimentación de energía, presione el pulsador. Para reencender la máquina, gire el pulsador y la llave.



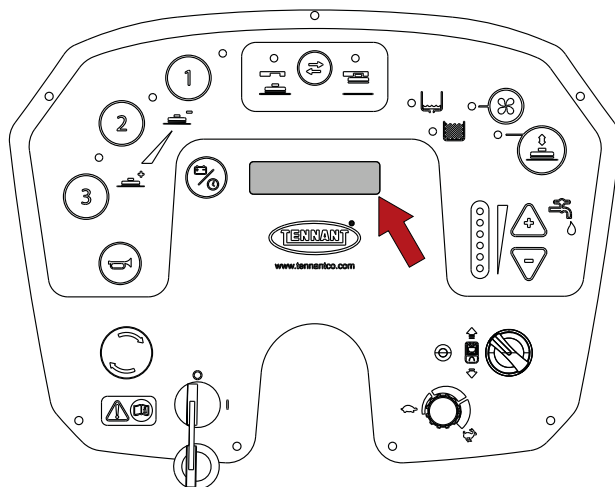
Indicador depósito de la solución vacío

Cuando el depósito de la solución está vacío el indicador se enciende y las funciones de limpieza se interrumpen. Rellene el depósito de la solución, para esta operación siga las instrucciones del apartado «Llenado del depósito de la solución».



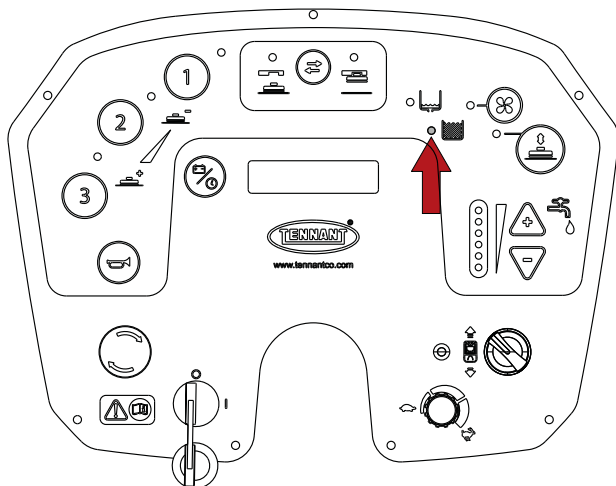
Indicador baterías

La pantalla indica la tensión de las baterías; cuando dicha tensión desciende por debajo de un determinado nivel, las funciones de limpieza se detienen salvo la tracción; proceda con la carga, para esta operación siga los pasos indicados en la sección «Carga de las baterías».



Indicador depósito de agua sucia lleno

Cuando el depósito de agua sucia está lleno, el indicador se enciende y las funciones de limpieza se interrumpen. Vacíe el depósito de agua sucia, para esta operación siga las instrucciones del apartado «Vaciado del depósito de agua sucia».

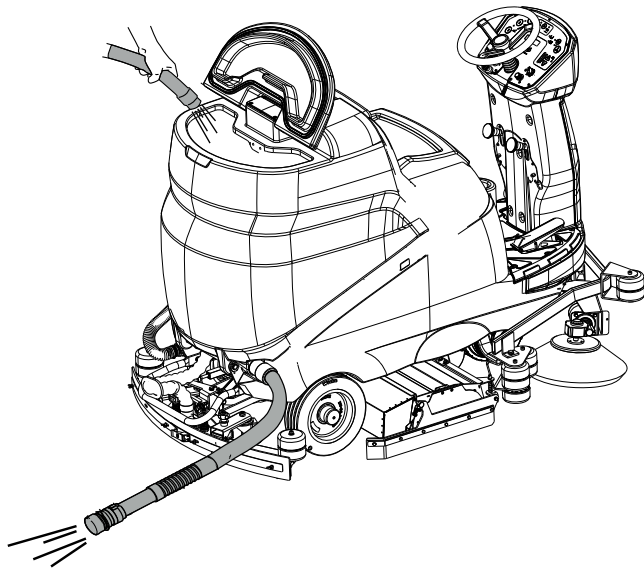


Vaciado del depósito del agua sucia

! ATENCIÓN: antes de realizar las operaciones que se describen a continuación, detenga la máquina en una superficie en plano, apáguela, retire la llave de encendido y active el freno de estacionamiento.

Al finalizar el trabajo vacíe el depósito de agua sucia. Si el depósito está lleno, el indicador se enciende y las funciones de limpieza se interrumpen; después de unos segundos se activa el bloqueo del motor del aspirador, deberá detenerse y vaciar el depósito de agua sucia siguiendo estas instrucciones:

- Coloque la máquina en la zona de vaciado.
- Desenganche el tubo del clip.
- Vacíe el depósito a través del tubo flexible, mantenga el tubo hacia arriba, retire el tapón y luego baje lentamente el tubo hacia el desagüe.
- Enjuague el depósito con agua limpia.
- Enjuague el flotador del depósito de agua sucia, siga las instrucciones del apartado «Limpieza del sensor del depósito de agua sucia».
- Vuelva a colocar el tapón del tubo flexible y enganche el tubo al clip.

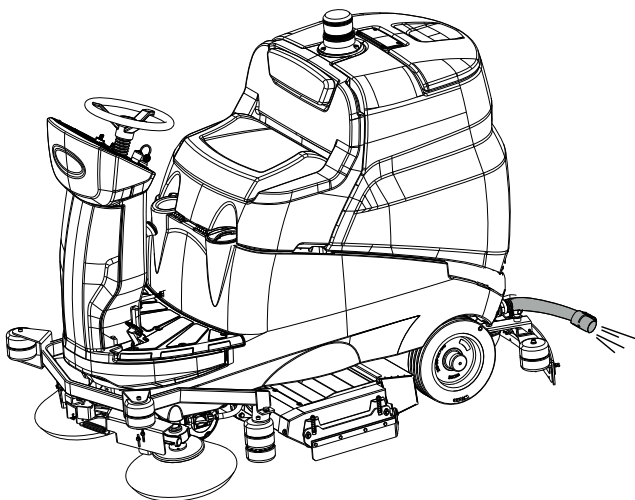


Vaciado del depósito de la solución

! ATENCIÓN: antes de realizar las operaciones que se describen a continuación, detenga la máquina en una superficie en plano, apáguela, retire la llave de encendido y active el freno de estacionamiento.

El depósito se puede vaciar siguiendo estas instrucciones:

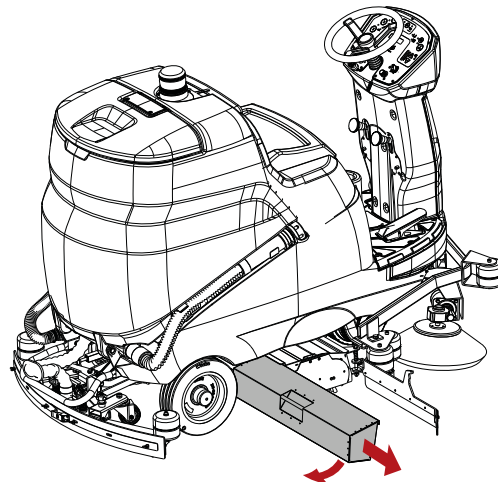
- Coloque la máquina en la zona de vaciado.
- Desenganche el tubo del clip.
- Vacíe el depósito a través del tubo flexible, mantenga el tubo hacia arriba, retire el tapón y luego baje lentamente el tubo hacia el desagüe.



Vaciado del cajón del cabezal de rodillos

! ATENCIÓN: antes de realizar las operaciones que se describen a continuación, detenga la máquina en una superficie en plano, apáguela, retire la llave de encendido y active el freno de estacionamiento.

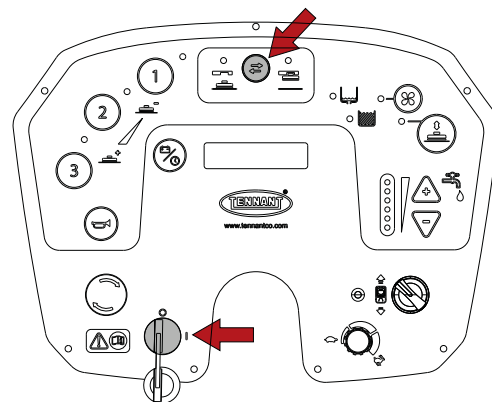
Para vaciar el cajón del cabezal de rodillos, gire el fondo del cajón en el sentido horario y luego tire del mismo hacia afuera. Vacíelo de los residuos y lávelo.



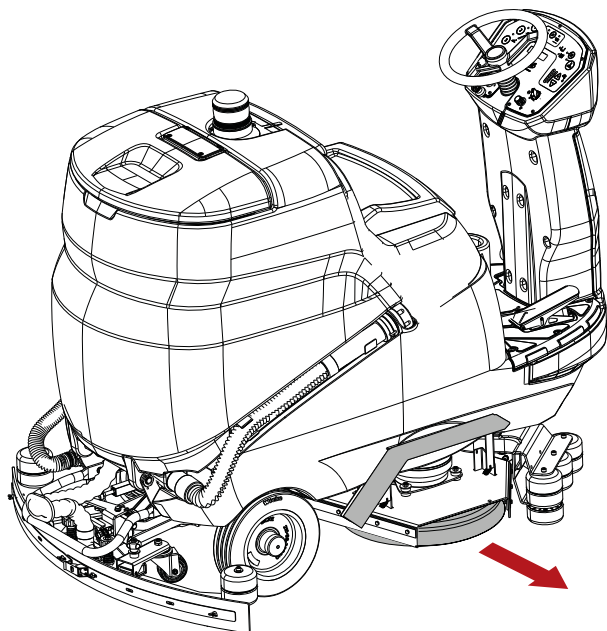
Desenganche de los cepillos / Discos abrasivos

! ATENCIÓN: antes de realizar las operaciones que se describen a continuación, detenga la máquina en una superficie en plano y active el freno de estacionamiento.

- Encienda la máquina girando la llave de encendido.
- Pulse el botón de enganche y desenganche de los cepillos, la máquina realizará la operación de desenganche.



- Levante las tapas laterales de ambos lados y retire los cepillos desde abajo del cabezal.



Desplazamiento de la máquina sin que trabaje

Para mover la máquina, siga estos pasos:

- Encienda la máquina girando la llave de encendido.
- Apriete el pedal del acelerador.
- Girando el potenciómetro se modifica la velocidad máxima de la máquina.
- Para detener la máquina, suelte el pedal del acelerador y pulse el pedal del freno, consulte la sección «**Freno de servicio y freno de estacionamiento**».
- Gire la llave de encendido para apagar la máquina.
- Active el freno de estacionamiento, consulte la sección «**Freno de servicio y freno de estacionamiento**».

INSTRUCCIONES PARA EL MANTENIMIENTO

! PELIGRO: no realice ninguna operación de mantenimiento sin haber desconectado antes la alimentación.

Las operaciones de mantenimiento relativas al sistema eléctrico y todas aquellas no descritas explícitamente en este manual de uso deben ser realizadas por personal técnico cualificado de TENNANT, de acuerdo con las normas de seguridad vigentes y aquello indicado en el manual para el mantenimiento.

! PELIGRO: antes de levantar/girar el depósito para acceder al compartimento, vacíe su contenido.

Mantenimiento – Reglas generales

Realizar un mantenimiento regular, respetando las indicaciones dadas por el Fabricante, garantiza un mejor rendimiento y una mayor duración de la máquina.

Cuando limpie la máquina siempre siga estos pasos:
no utilice hidrolimpiadoras: podría entrar agua en el interior del compartimento eléctrico o de los motores, produciendo averías o cortocircuitos;

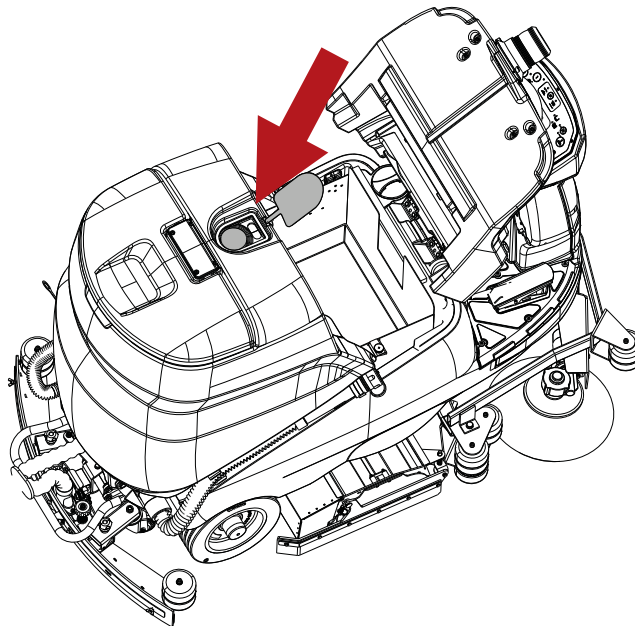
No utilice vapor porque el calor podría deformar las piezas de plástico;

no utilice hidrocarburos ni disolventes: se podrían arruinar los capós y las piezas de goma.

Limpieza del filtro de aire del aspirador

! ATENCIÓN: antes de realizar las operaciones que se describen a continuación, detenga la máquina en una superficie en plano, apáguela, retire la llave de encendido y active el freno de estacionamiento.

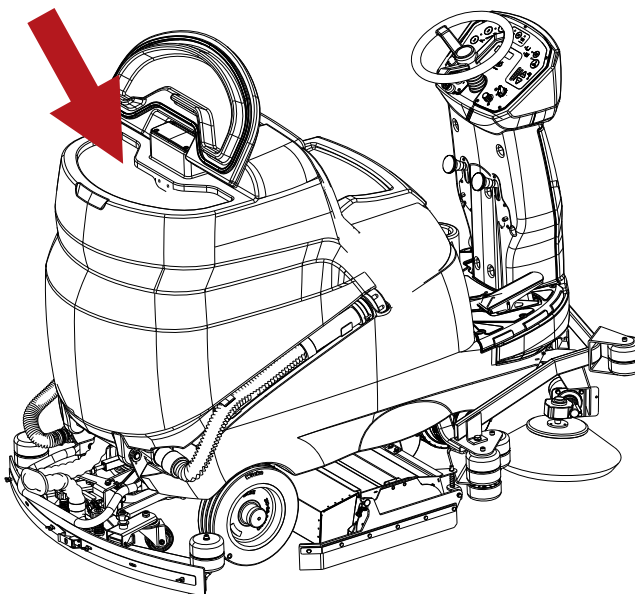
Gire el soporte del asiento, levante la tapa del filtro y extraiga el filtro lavándolo con agua corriente o con el detergente utilizado en la máquina, seque y monte de nuevo el filtro en su alojamiento.



Limpieza del sensor del depósito de agua sucia

! ATENCIÓN: antes de realizar las operaciones que se describen a continuación, detenga la máquina en una superficie en plano, apáguela, retire la llave de encendido y active el freno de estacionamiento.

Gire la tapa del depósito de agua sucia y proceda con la limpieza.

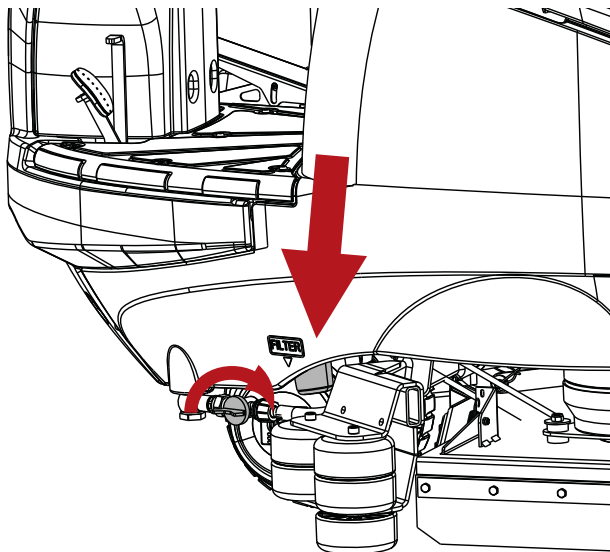


Limpeza del filtro del depósito de la solución

! ATENCIÓN: antes de realizar las operaciones que se describen a continuación, detenga la máquina en una superficie en plano, apáguela, retire la llave de encendido y active el freno de estacionamiento.

Para limpiar el filtro proceda de la siguiente manera:

- Cierre la llave aguas arriba del filtro.
- Desenrosque la tapa del filtro, extraiga el filtro y límpielo con agua corriente o con el detergente utilizado en la máquina.
- Instale de nuevo el filtro, asegúrese de haberlo colocado correctamente y enrosque la tapa.



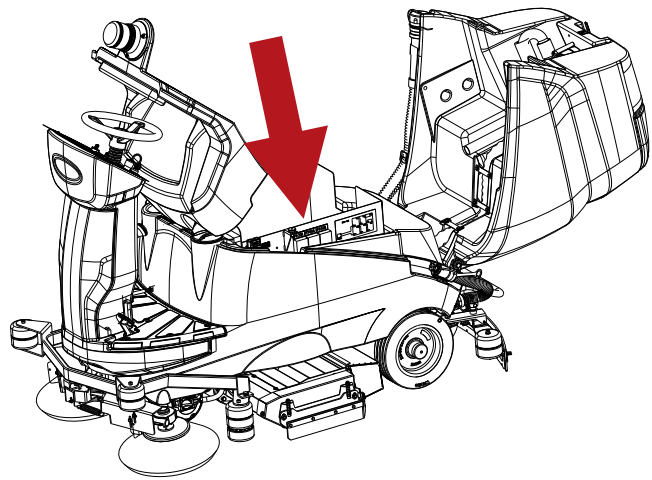
Fusibles

! ATENCIÓN: antes de realizar las operaciones que se describen a continuación, detenga la máquina en una superficie en plano, apáguela, retire la llave de encendido y active el freno de estacionamiento.

! ATENCIÓN: no instale jamás un fusible de amperaje superior a aquel previsto.

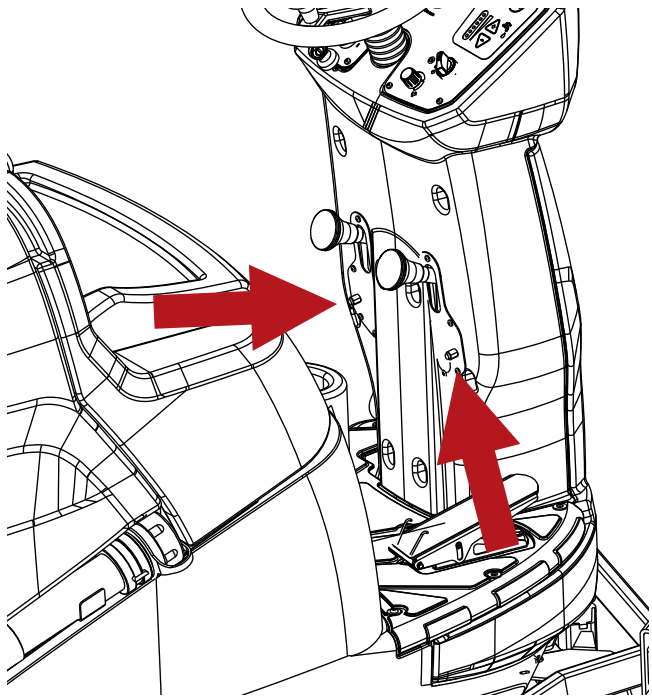
Los fusibles pueden ser sustituidos solo por un centro de asistencia TENNANT o por personal técnico cualificado de TENNANT.

Gire el depósito, desconecte el conector de los cables de las baterías del sistema eléctrico o desconecte la clavija de alimentación, abra la tapa para acceder a los fusibles.



! INFORMACIÓN

Abajo de cada una de las palancas de accionamiento del cepillo lateral hay instalado un fusible rearmable. Si un cepillo lateral dejara de funcionar, pulse el botón para rearmar el fusible.



Mantenimiento de las baterías



! PELIGRO: no controle las baterías haciendo chispas. Las baterías (WET) emanan vapores inflamables: antes de controlar o reponer el nivel de las baterías, extinga cualquier fuente que pueda producir fuego o chispas.

! PELIGRO: durante cualquier tipo de mantenimiento de las baterías, el operador deberá utilizar los elementos (guantes, gafas, ropa de protección, etc.) necesarios para evitar cualquier riesgo de accidente; deberá alejarse de las llamas abiertas, no deberá cortocircuitar los polos de las baterías, ni provocar chispas ni fumar.

! PELIGRO: en caso de fuga del líquido de la batería, no toque el líquido y observe las siguientes precauciones:
El contacto con la piel puede causar irritación, lavar con agua y jabón.
La inhalación puede causar irritación de las vías respiratorias, exponer al aire libre y consultar a un médico.
El contacto con los ojos puede causar irritación, lavar inmediatamente los ojos con abundante agua durante al menos 15 minutos, consultar a un médico.

La vida útil de las baterías depende de su correcto mantenimiento. Para obtener el mejor rendimiento de las baterías, tome las siguientes precauciones:

- No deje las baterías parcialmente descargadas durante mucho tiempo.
- Deje que las baterías se carguen completamente antes de volver a utilizar la máquina.
- Mantenga las baterías limpias y con las conexiones bien apretadas.
- Compruebe semanalmente los niveles del electrolito (baterías WET).

Comprobación del nivel de electrolito de las baterías WET

Las baterías WET requieren un control periódico del nivel del electrolito. Reponga solo con agua destilada hasta cubrir las placas, no supere el nivel (máximo 5 mm / 0.19in por encima de la placa), el electrolito se expande y podría desbordarse durante la carga.

Carga de las baterías

! PELIGRO: no controle las baterías haciendo chispas. Las baterías (WET) emanan vapores inflamables: antes de controlar o reponer el nivel de las baterías, extinga cualquier fuente que pueda producir fuego o chispas.

! PELIGRO: lleve a cabo las operaciones descritas a continuación en un lugar ventilado.

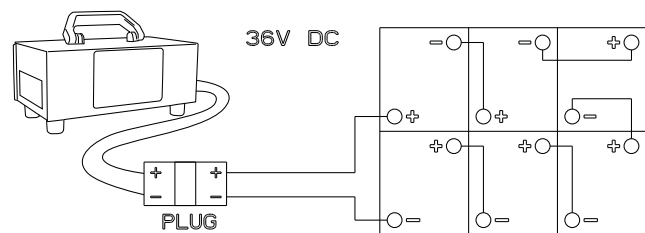
! PELIGRO: al cargar las baterías se produce gas hidrógeno muy explosivo. Levante el depósito durante todo el ciclo de carga de las baterías y realice el procedimiento únicamente en zonas bien ventiladas y lejos de llamas abiertas.

! ATENCIÓN: antes de realizar las operaciones que se describen a continuación, detenga la máquina en una superficie en plano, apáguela, retire la llave de encendido y active el freno de estacionamiento.

! ATENCIÓN: antes de la carga, asegúrese de que el cargador de baterías esté configurado para el tipo de baterías instaladas.

! ATENCIÓN: realice la carga como indicado en el manual del cargador de baterías, al final de la carga desconecte los conectores.

- Desconecte el conector del paquete de baterías del sistema eléctrico de la máquina.
- Conecte el conector del paquete de baterías al conector del cargador de baterías.
- Conecte la clavija del cargador de baterías a la toma de corriente.
- Comience el ciclo de recarga.



Batería: desmontaje

- ! PELIGRO:** en caso de fuga del líquido de la batería, no toque el líquido y observe las siguientes precauciones:
El contacto con la piel puede causar irritación, lavar con agua y jabón.
La inhalación puede causar irritación de las vías respiratorias, exponer al aire libre y consultar a un médico.
El contacto con los ojos puede causar irritación, lavar inmediatamente los ojos con abundante agua durante al menos 15 minutos, consultar a un médico.

- ! PELIGRO:** durante el desmontaje de las baterías, el personal cualificado deberá utilizar los elementos (guantes, gafas, ropa de protección, zapatos de seguridad, etc.) necesarios para limitar los riesgos de accidente; quite la llave de encendido del cuadro antes de desmontar las baterías, manténgase lejos de llamas abiertas, no cortocircuite los polos de las baterías, no provoque chispas ni fume.

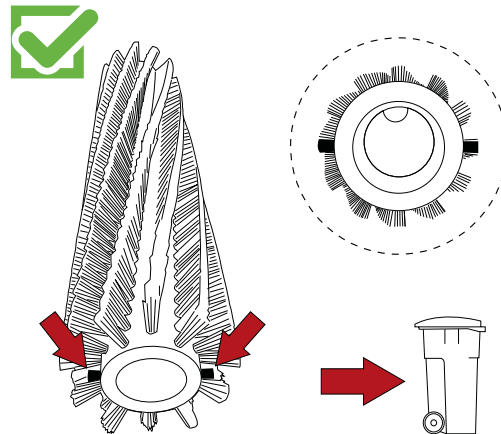
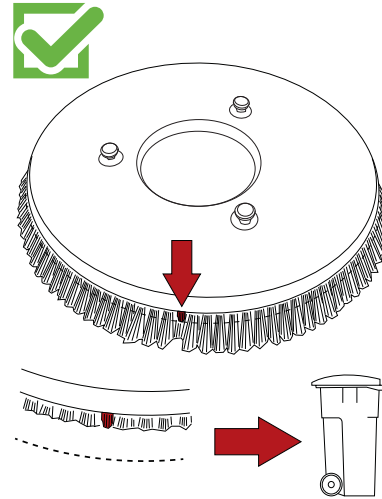
! ATENCIÓN: las baterías deben ser desmontadas por personal técnico cualificado.

! ATENCIÓN: antes de realizar las operaciones que se describen a continuación, detenga la máquina en una superficie en plano, apáguela, retire la llave de encendido y active el freno de estacionamiento.

- desconecte los bornes de los cables de los polos de la batería.
- si fuera necesario, quite los dispositivos que fijan la batería a la base de la máquina.
- levante la batería del compartimiento con equipos de elevación adecuados.

Sustitución de los Cepillos y Pads

La máquina puede equiparse con cepillos de disco, de rodillo y Pads. Compruebe los cepillos y los Pads todos los días para asegurarse de que no haya alambres ni hilos retorcidos en el cepillo o en el disco de arrastre. Compruebe el desgaste de los cepillos y de los Pads. Sustituya los cepillos cuando las cerdas estén desgastadas alcanzando el indicador rojo o negro. Sustituya los Pads cuando ya no limpien de manera eficaz. Después del uso, lave los cepillos y los Pads con agua y jabón, cuélguelos para que se sequen.

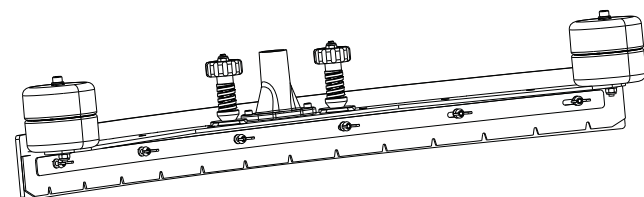
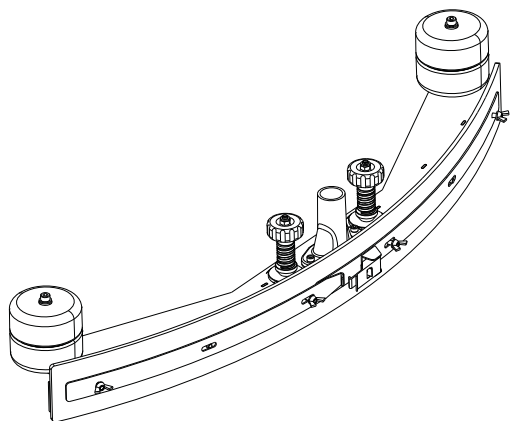


Sustitución de los labios del secador de suelos

! ATENCIÓN: antes de realizar las operaciones que se describen a continuación, detenga la máquina en una superficie en plano, apáguela, retire la llave de encendido y active el freno de estacionamiento.

Los labios del secador de suelo sirven para recoger del suelo la película de agua y detergente, permitiendo así un secado perfecto. Con el pasar del tiempo, el roce continuo redondea y fisura el canto vivo en contacto con el suelo, comprometiendo la eficacia de secado; por consiguiente, habrá que sustituir el labio.

- Extraiga el tubo de aspiración del secador de suelos.
- Quite el secador de suelos de su soporte desenroscando los dos volantes completamente.
- Desenganche el enganche y desenrosque las tuercas del labio trasero, para el labio delantero desenrosque las tuercas.
- Retire los prensadores de labios.
- Desmante el labio.
- Vuelva a montar el mismo labio invirtiendo el canto en contacto con el pavimento hasta que se desgasten los cuatro cantos del labio trasero, mientras que para el labio delantero, invierta el canto en contacto con el pavimento hasta que se desgasten los dos cantos, o instale un nuevo labio encastrándolo en los tornillos del cuerpo del secador.
- Vuelva a montar los prensadores de los labios.
- Vuelva a enganchar el enganche y enrosque las tuercas del labio trasero, para el labio delantero enrosque las tuercas.
- Reinstale el secador de suelos en su soporte.

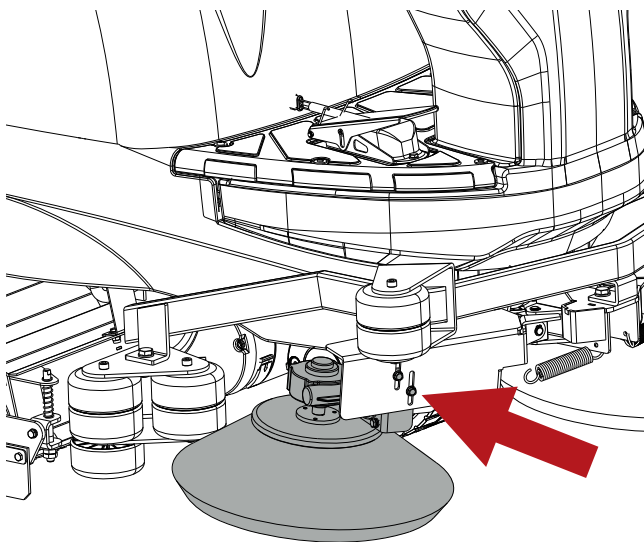


Regulación del desgaste de los cepillos laterales del cabezal de rodillos

! ATENCIÓN: antes de realizar las operaciones que se describen a continuación, detenga la máquina en una superficie en plano, apáguela, retire la llave de encendido y active el freno de estacionamiento.

Si los cepillos laterales (bajados) no tocan el pavimento porque están desgastados, se pueden regular de esta manera:

- Coloque el cepillo lateral en la posición de trabajo.
- Afloje los tornillos de regulación del soporte del motor del cepillo.
- Regule manualmente el cepillo en la posición deseada.
- Apriete los tornillos de regulación.



Levantamiento de la máquina

! ATENCIÓN: antes de realizar las operaciones que se describen a continuación, detenga la máquina en una superficie en plano, apáguela, retire la llave de encendido y active el freno de estacionamiento.



! PELIGRO: para levantar la máquina, utilice un equipo que pueda soportar el peso de la misma.



! PELIGRO: levante la máquina solamente desde los puntos indicados a continuación.



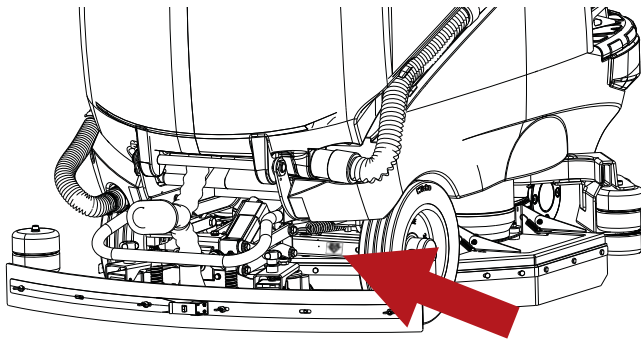
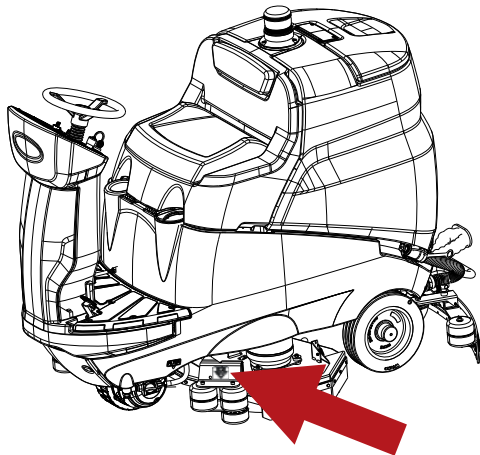
! PELIGRO: vacíe los depósitos de agua sucia y de solución antes de levantar la máquina.



! PELIGRO: retire las baterías antes de levantar la máquina.

! INFORMACIÓN

los puntos de elevación delanteros y traseros se encuentran en ambos lados de la máquina.



Controles periódicos

CONTROL	OPERACIONES DIARIAS	OPERACIONES SEMANALES	OPERACIONES SEMESTRALES
VACÍE EL DEPÓSITO DE AGUA SUCIA Y LÁVELO	X		
LIMPIE LOS LABIOS DEL SECADOR DE SUELOS Y COMPRUEBE QUE NO ESTÉN DESGASTADOS	X		
COMPRUEBE QUE EL AGUJERO DE ASPIRACIÓN DEL SECADOR DE SUELOS NO ESTÉ ATASCADO	X		
RECARGUE LAS BATERÍAS	X		
LIMPIE EL FLOTADOR DEL DEPÓSITO DE AGUA SUCIA		X	

LIMPIE EL FILTRO DE AIRE DEL ASPIRADOR		X	
LIMPIEZA DEL FILTRO DEL DEPÓSITO DE LA SOLUCIÓN		X	
LIMPIE EL TUBO DEL SECADOR DE SUELOS		X	
LIMPIE EL DEPÓSITO DE AGUA SUCIA Y EL DEPÓSITO DE LA SOLUCIÓN DETERGENTE		X	
CONTROLE EL NIVEL DEL ELECTROLITO DE LAS BATERÍAS		X	
HAGA CONTROLAR EL SISTEMA ELÉCTRICO POR PERSONAL CUALIFICADO DE TENNANT.			X

PERÍODOS DE INACTIVIDAD

Cuando la máquina debe permanecer inactiva, por ejemplo expuesta en una sala de exposición o en un almacén, durante más de un mes, lleve a cabo las siguientes indicaciones:

- Cargue completamente las baterías. Durante los períodos prolongados de inactividad, recárguelas periódicamente (al menos una vez cada dos meses) para mantener las baterías constantemente con la carga máxima.
- Desconecte las baterías de la máquina.
- Desconecte el cargador de baterías, en su caso, de la alimentación eléctrica.
- Desmonte, lave y guarde en un lugar seco el secador de suelos y los cepillos (o discos abrasivos) preferentemente embalados en un bolsa o película de plástico, protegidos del polvo.
- Asegúrese de que los depósitos estén completamente vacíos y bien limpios.

! ATENCIÓN: si no se cargaran periódicamente las baterías como antes indicado, existe el riesgo de que se arruinen irremediamente.

El fabricante no se asume ninguna responsabilidad por posibles desperfectos provocados por negligencias, uso inadecuado y/o no conforme.

! ATENCIÓN: cuando las baterías están descargadas, procure que no queden durante mucho tiempo en dichas condiciones para no reducir la vida útil de las mismas. Controle la carga de las baterías al menos una vez por semana.

INCONVENIENTES, CAUSAS Y SOLUCIONES

INCONVENIENTES	CAUSAS	SOLUCIONES
La máquina no funciona	Las baterías están desconectadas	Conecte las baterías a la máquina
	Las baterías están descargadas	Recargue las baterías
	El fusible se ha desconectado	Restablezca el fusible
	La llave de encendido no está accionada	Gírela
	El botón de emergencia está pulsado	Desbloquee el botón de emergencia
Los cepillos del cabezal no giran	El depósito de agua sucia está lleno	Vacíe el depósito de agua sucia
	El fusible se ha desconectado	Restablezca el fusible
	Las baterías están descargadas	Recargue las baterías
	El motor está roto	Sustituya
Los cepillos laterales del cabezal de rodillos no giran	El fusible se ha desconectado	Restablezca el fusible
	El motor está roto	Sustituya
La máquina no lava uniformemente	Los cepillos o los discos abrasivos están desgastados	Sustituya
La solución no sale del depósito de detergente	La electroválvula está rota	Sustituya
	La electroválvula está sucia.	Controle
	El depósito de la solución está vacío.	Reponga
	El tubo que lleva la solución al cepillo está atascado	Libere el tubo
	Está cerrada la válvula situada antes del filtro	Abra la válvula
	El fusible se ha desconectado	Restablezca el fusible
El flujo de la solución no se interrumpe	La electroválvula está rota	Sustituya
	La electroválvula está sucia.	Limpie
El motor de aspiración no funciona	El depósito de agua sucia está lleno	Vacíe el depósito de agua sucia
	El fusible se ha desconectado	Restablezca el fusible
	Las baterías están descargadas	Recargue las baterías
	El motor está roto	Sustituya
El secador de suelos no limpia ni aspira bien	El canto de los labios de goma, en contacto con el suelo, está desgastado	Sustituya los labios
	El secador de suelos está atascado o averiado	Controle
	El sensor del depósito de agua sucia se ha activado o está bloqueado por suciedad o está roto	Vacíe el depósito de agua sucia, controle el sensor.
	El tubo de aspiración está atascado	Controle
	El tubo de aspiración está desconectado del secador de suelos o está averiado	Controle
La máquina no avanza	Las baterías están descargadas	Recargue las baterías
	El motor está roto	Sustituya
	El pedal del acelerador ha sido pisado demasiado rápido	Pise lentamente el pedal del acelerador para arrancar
Las baterías no aseguran la autonomía normal	Los polos y los bornes de las baterías están sucios u oxidados	Limpie y engrase los polos y los bornes de la batería, recargue las baterías
	El electrolito se ha evaporado y no cubre completamente las placas.	Añada agua destilada rellenando cada elemento hasta cubrir las placas y cargue la batería.
	El cargador de baterías no funciona o no es adecuado	Controle

ALARMAS / AVISOS EN LA PANTALLA

CÓDIGO DE ERROR	CAUSA	SOLUCIÓN
TEMPER. ESCOBILLAS	La máquina trabajó mucho con una presión alta.	Espere 30 minutos para que la temperatura baje.
	El programa de trabajo que se está utilizando es muy pesado para el tipo de superficie.	Pase de 3 a 2 o 1.
	Parte electrónica averiada	Sustituya la tarjeta de potencia.
RESERVA BATERÍA	Baja tensión de la batería	Cargue la batería.
BATERÍA DESCARGADA	Baja tensión de la batería	Cargue la batería.
BATERÍA AGOTADA	Baja tensión de la batería	Controle el nivel de ácido de la batería y recárguela
FRENO DE ESTACIONAMIENTO	El freno de estacionamiento está activado.	Desbloquee el freno de estacionamiento.
	El microinterruptor del pedal de freno no está fijado correctamente.	Regule la posición del microinterruptor.
	El microinterruptor del pedal de freno no funciona correctamente.	Sustituya el microinterruptor.
NIVEL AGUA SUCIA	El sensor de nivel es activado por el nivel del agua.	Vacíe el depósito de agua sucia.
	El sensor de nivel está bloqueado.	Controle el sensor.
RESERVA AGUA	El sensor de nivel es activado por el nivel del agua.	Llene el depósito de solución.
	El sensor de nivel está bloqueado.	Controle el sensor.
NO AGUA	El sensor de nivel es activado por el nivel del agua.	Llene el depósito de solución.
	El sensor de nivel está bloqueado.	Controle el sensor.

ALARMAS TARJETA DE ACCIONAMIENTO MOTORRUEDA

La tarjeta de accionamiento de la motorrueda está dentro del montante delantero. Si la tracción de la máquina estuviera interrumpida, es conveniente identificar el código de error mediante el led de estado. Durante el funcionamiento normal (sin inconvenientes), el led de estado estará constantemente encendido.

☼○○○○○☼○○○○○☼○○○○○☼

ejemplo ALARMA A1

☼○☼○○○○○☼○☼○○○○○☼○☼○○○○○☼○☼

ejemplo ALARMA A2

☼○☼○☼○☼○☼○☼○☼○☼○☼○☼○☼○☼○☼○☼○○○○○☼

ejemplo ALARMA A13

☼○☼○☼○☼○☼○☼○☼○☼○☼○☼○☼○☼○☼○☼○☼○○○○○☼

ejemplo ALARMA A14

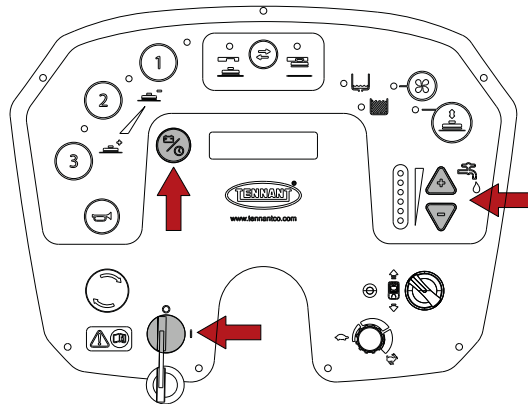
CÓDIGO DE ERROR	CAUSA	SOLUCIÓN
ALARMA A1	Interruptor Marcha Adelante cerrado en el encendido	Contacte con el servicio de asistencia al cliente.
ALARMA A2	Interruptor Marcha Atrás cerrado en el encendido	
ALARMA A3	Fallo potenciómetro	
ALARMA A4	Potenciómetro fuera de la posición de cero en el encendido	
ALARMA A5	Protección térmica	
ALARMA A6	Avería tarjeta tracción	
ALARMA A7	Sobrecorriente (fallo motor)	
ALARMA A8	Fusible o contactos de potencia averiados (fallo tarjeta de tracción)	
ALARMA A9	Subtensión	
ALARMA A10	Sobretensión	
ALARMA A11	Sobrecarga	
ALARMA A12	Microinterruptor de deshabilitación activo (fallo entrada)	
ALARMA A13	Secuencia apagado llave activa (fallo entrada)	
ALARMA A14	Alarma memoria interna (fallo tarjeta de tracción)	

MENÚ USUARIO

Para entrar en el programa de usuario, coloque la llave de encendido en «1», después de 5 segundos pulse el botón de programación durante 10 segundos, la pantalla mostrará el primer parámetro. Para pasar de un parámetro a otro, utilice el botón de programación.

Para modificar el parámetro seleccionado, pulse los botones «-» o «+»; «-» para disminuir, "+" para aumentar el valor. Para memorizar las modificaciones y salir, mantenga pulsado el botón de programación hasta que la pantalla muestre la tensión de las baterías.

Al girar la llave de encendido hacia «0» no borra las modificaciones realizadas, para eliminar las modificaciones, configure los valores por defecto indicados a continuación y memorice los datos.



	VALORES POR DEFECTO	
	Versión Cabezal de Disco	Versión Cabezal de Rodillos
Configuración Idioma.	ESPAÑOL	ESPAÑOL
Programa presión de trabajo del cabezal.	Programa 1 Presión 020	Programa 1 Presión 020
Programación habilitación cepillos.	Programa 1 Cepillos ON	Programa 1 Cepillos ON
Programación habilitación aspirador.	Programa 1 Aspirador ON	Programa 1 Aspirador ON
Programa salida agua.	Programa 1 Agua 2	Programa 1 Agua 2
Programa habilitación Power OFF-ON.	Programa 1 Auto Power OFF ON	Programa 1 Auto Power OFF ON
Programa presión de trabajo del cabezal.	Programa 2 Presión 040	Programa 2 Presión 030
Programación habilitación cepillos.	Programa 2 Cepillos ON	Programa 2 Cepillos ON
Programación habilitación aspirador.	Programa 2 Aspirador ON	Programa 2 Aspirador ON
Programa salida agua.	Programa 2 Agua 3	Programa 2 Agua 3
Programa habilitación Power OFF-ON.	Programa 2 Auto PowerOFF ON	Programa 2 Auto PowerOFF ON
Programa presión de trabajo del cabezal.	Programa 3 Presión 060	Programa 3 Presión 040
Programación habilitación cepillos.	Programa 3 Cepillos ON	Programa 3 Cepillos ON
Programación habilitación aspirador.	Programa 3 Aspirador ON	Programa 3 Aspirador ON
Programa salida agua.	Programa 3 Agua AUTO	Programa 3 Agua 3
Programa habilitación Power OFF-ON.	Programa 3 Auto PowerOFF ON	Programa 3 Auto PowerOFF ON
Dosificación detergente.	Dosificación detergente 2%	Dosificación detergente 2%

PIEZAS DE REPUESTO RECOMENDADAS

T981 75 cm Rodillos	
Código	Descripción
SPPV01286	CEPILLO BLANDO, PPL, 75 CM [ESTÁNDAR]
SPPV00457	CEPILLO MEDIO, PPL, 75 CM
SPPV01364	CEPILLO BLANDO, MIX 5, 75 CM
SPPV01201	CEPILLO DURO, 75 CM (TINEX)
SPPV75790	CEPILLO LATERAL, PPL, MEDIUM [ESTÁNDAR]
SPPV75794	CEPILLO LATERAL DURO
MPVR06551	LABIO, SECADOR DE SUELOS, DELANTERO, LINATEX, [ESTÁNDAR]
MPVR06552	LABIO, SECADOR DE SUELOS, TRASERO, LINATEX, [ESTÁNDAR]
MPVR02830	LABIO, SECADOR DE SUELOS, DELANTERO, GOMA NATURAL
MPVR05883	LABIO, SECADOR DE SUELOS, TRASERO, LÁTEX
MPVR13250	LABIO, SECADOR DE SUELOS, DELANTERO, POLIURETANO
MPVR02832	LABIO, SECADOR DE SUELOS, TRASERO, POLIURETANO
PMVR06915	SECADOR DE SUELOS ENSAMBLADO, LABIOS DE LINATEX, 75/85
MPVR02846	FLAP LATERAL IZQUIERDO
MPVR02845	FLAP LATERAL DERECHO
GUVR75740	ANILLO PARA JUNTA
MPVR04720	RODILLO LOCO
MOCC00166	MOTOR DEL CEPILLO
MTCG87404	CORREA
CUVR29964	RODAMIENTO DE BOLAS 6000, 2RS1
CUVR00164	RODAMIENTO 6002RS -SKF
T981 90 cm Disco	
Código	Descripción
SPPV01539	CEPILLO, PPL, 48 CM [ESTÁNDAR]
SPPV01540	CEPILLO DURO, 48 CM (TINEX 120)
SPPV01541	CEPILLO DURO, 48 CM (TINEX 240)
SPPV01542	CEPILLO DURO, 48 CM (TINEX 320)
SPPV01543	CEPILLO BLANDO, MIX 5, 48 CM
SPPV01221	DISCO DE ARRASTRE PAD, 48 CM
1240392	PAD ABRASIVO, POLISH, 18.0D, YEL [5PC]
1243335	PAD ABRASIVO, SCB, 18.0D, AZUL 5PC]
1243336	PAD ABRASIVO, BUFF, 18.0D, ROJO [5PC]
1243337	PAD ABRASIVO, POLISH, 18.0D, WHITE [5PC]
1243660	PAD ABRASIVO, STRIP, 18.0D BLK [5PC]
1243724	PAD ABRASIVO, STRIPPING, 18.0D, MARRÓN [5PC]
MPVR06553	LABIO, SECADOR DE SUELOS, DELANTERO, LINATEX, [ESTÁNDAR]
MPVR06554	LABIO, SECADOR DE SUELOS, TRASERO, LINATEX, [ESTÁNDAR]
MPVR02850	LABIO, SECADOR DE SUELOS, DELANTERO, GOMA NATURAL
MPVR05884	LABIO, SECADOR DE SUELOS, TRASERO, LÁTEX
MPVR13251	LABIO, SECADOR DE SUELOS, DELANTERO, POLIURETANO
MPVR51009	LABIO, SECADOR DE SUELOS, TRASERO, POLIURETANO
PMVR06916	SECADOR DE SUELOS ENSAMBLADO, LABIOS DE LINATEX, 90 cm
MPVR51006	FLAP LATERAL IZQUIERDO CABEZAL
MPVR51007	FLAP LATERAL DERECHO CABEZAL
MPVR51005	FLAP TRASERO CABEZAL
MOCC00390	MOTORREDUCTOR CEPILLO DERECHO
MOCC00474	MOTORREDUCTOR CEPILLO IZQUIERDO
RDGR00039	REDUCTOR, MOTOR CEPILLO
MEVR05203	ESCOBILLAS DEL MOTOR DEL CEPILLO

897524	RODAMIENTO DE BOLAS, 8B 30D 11W
T981 Piezas en común	
Código	Descripción
1070587	BATERÍA, WET, 06VDC 0360AH
1262287	BATERÍA, AGM, 06VDC 350AH
1043662	CARGADOR DE BATERÍAS, 36VDC 21A 85-265VAC 1PH 45/65HZ
1017079	CORD, CARGADOR DE BATERÍAS, EXTN, 16GA/3, 10FT [SJT]
MEVR00985	KIT ESCOBILLAS DEL MOTOR DE TRACCIÓN
MEVR05202	ESCOBILLAS ASPIRADOR
FTDP00130	FILTRO
GUGO31051	JUNTA ASPIRADOR
KTRI04700	TUBO DEL SECADOR DE SUELOS
GUGO00306	JUNTA TAPÓN
FTAC00038	FILTRO COMPLETO DEPÓSITO DE LA SOLUCIÓN
FTAC00047	FILTRO DEPÓSITO DE LA SOLUCIÓN
9017783	MOTOR ASPIRADOR 36V
9017737	SENSOR DE NIVEL
TBBP00485	TUBO DESCARGA DEPÓSITO AGUA SUCIA
MECB01227	POTENCIÓMETRO TRACCIÓN
MECB01228	CABLES MICRO PEDAL ACELERADOR
MEEV00043	ELECTROVÁLVULA
RTRT00518	RUEDA GIRATORIA
PMVR01141	TUBO SALIDA AIRE
PMVR01139	TUBO DE DESAGÜE DEL DEPÓSITO DE LA SOLUCIÓN
MOCC00394	ACTUADOR
KTRI02060	ACTUADOR CABEZAL CEPILLOS
MOCC00380	MOTORRUEDA 36V
RTRT00795	RUEDA POLIURETANO
PPEL00025	BOMBA, 36V
MECE00526	TARJETA DE POTENCIA SERVICIOS
KTRI06405	KIT CUADRO COMPLETO
KTRI06415	KIT, TARJETA PANTALLA
KTRI06416	KIT, TARJETA LÓGICA
KTRI06417	KIT, TARJETA INTERFAZ
KTRI05576	POTENCIÓMETRO, VELOCIDAD 100K
METT00086	CONTACTOR, 100A
RTRT00533	ANILLO DE GOMA REPUESTO MOTORRUEDA
CUVR00194	RODAMIENTO, 61926, 2RS
CUVR00264	RODAMIENTO 32007X
GUGO00703	JUNTA DE LA TAPA DEL DEPÓSITO DE AGUA SUCIA
METT00135	FUSIBLE, 2A
METT00132	FUSIBLE, 30A
METT00136	FUSIBLE, 3A
METT00137	FUSIBLE, 4A
METT00138	FUSIBLE, 50A
MEVR01925	FUSIBLE, 150A
897357	CABLE DE BATERÍA
MECE00927	TARJETA ELECTRÓNICA ACCIONAMIENTO TRACCIÓN

TABLE DES MATIERES

CONSIGNES DE SÉCURITÉ IMPORTANTES	3
SIGNALISATION DE SÉCURITÉ	6
CARACTÉRISTIQUES TECHNIQUES	7
DIMENSIONS MACHINE	9
INFORMATIONS GÉNÉRALES	10
But du manuel	10
Identification de la machine.....	10
Documentation jointe à la machine	10
INFORMATIONS TECHNIQUES	11
Description générale	11
Principales pièces de la machine.....	11
Tableau de commandes	12
Accessoires.....	12
MANUTENTION ET INSTALLATION	13
Levage et transport de la machine emballée	13
Contrôles à la livraison.....	13
Déballage.....	13
Batteries d'alimentation	14
Paramètre de sélection de la batterie de la machine	14
Batteries WET, préparation :	15
Batteries : installation et raccordement	15
Choix du chargeur de batterie.....	16
Préparation du chargeur de batterie	16
Réglages du chargeur de batterie.....	17
Installation du suceur	17
Réglage du suceur.....	17
Installation brosse / porte-tampon	18
Installation des brosses (tête à rouleaux)	19
Installation des brosses latérales (tête à rouleaux).....	20
Remplissage du réservoir solution	21
GUIDE PRATIQUE POUR L'OPÉRATEUR	22
Habillement et EPI	22
Avant de mettre la machine en marche	22
Préparation de la machine pour le travail.....	22
Travail	22
Frein de service et frein de stationnement.....	24
Double lavage	25
Ramassage de l'eau (sans lavage).....	26
Durant le fonctionnement de la machine.....	26
Bouton d'arrêt d'urgence.....	26
Indicateur de réservoir de solution vide	27
Indicateur de réservoir de récupération plein.....	27
Indicateur des batteries.....	27
Vidange du réservoir de récupération	27
Vidange du réservoir solution.....	28
Vidange bac tête à rouleaux	28
Décrochage des brosses/disques abrasifs	28
Déplacement de la machine hors utilisation.....	29
INSTRUCTIONS POUR L'ENTRETIEN	30
Entretien - Règles générales.....	30
Nettoyage du filtre à air aspirateur	30
Nettoyage du capteur du réservoir de récupération.....	30
Nettoyage du filtre du réservoir de solution.....	31
Fusibles.....	31
Entretien des batteries	31
Contrôle du niveau de l'électrolyte des batteries WET.....	32
Recharge des batteries	32
Batterie : retrait.....	33
Remplacement des brosses et des tampons	33
Remplacement lames suceur.....	34
Réglage de l'usure des brosses latérales (tête à rouleaux).....	34
Levage de la machine	34
Contrôles périodiques	35
PÉRIODES D'INACTIVITÉ	35
PROBLÈMES, CAUSES ET REMÈDES	36
ALARMES/AVIS SUR L'ÉCRAN	37
ALARME CARTE ACTIONNEMENT ROUE MOTRICE	38
MENU UTILISATEUR	39
PIÈCES DE RECHANGE CONSEILLÉES	40

CONSIGNES DE SÉCURITÉ IMPORTANTES

Certaines parties de cette notice requièrent une attention particulière, elles sont mises en évidence en caractères gras et sont précédées par des symboles illustrés et définis ci-après.



! DANGER :

Ce symbole attire l'attention sur les dangers pouvant entraîner des risques pour la santé, voire la mort.

! ATTENTION !

Ce symbole attire l'attention sur les dangers pouvant entraîner des dommages à la machine, à l'environnement dans lequel elle évolue, ou des pertes sur le plan économique.



! DANGER : si des batteries au plomb (WET) sont installées sur la machine, éloigner les étincelles, les flammes et les matériaux fumants des batteries. Des gaz explosifs peuvent se dégager lors d'une utilisation normale, notamment pendant la recharge.



! DANGER : si des batteries au plomb (WET) sont installées sur la machine, la recharge des batteries produit du gaz d'hydrogène hautement explosif. Soulever le réservoir de récupération pendant tout le cycle de recharge de la batterie et effectuer la procédure uniquement dans des zones bien ventilées, loin des flammes nues.



! DANGER : ne jamais ramasser de liquides inflammables ou explosifs (ex. essence, huile combustible, etc.) d'acides et solvants (ex. diluants pour peintures, acétone, etc.) même dilués.



! DANGER : ne jamais aspirer d'objets en flammes ou incandescents.



! DANGER : cette machine ne doit pas être utilisée sur des sols où se trouvent des revêtements/finitions/matériaux dangereux.



! DANGER : ne pas projeter de liquides inflammables.

Ne pas utiliser la machine :

- Si le manuel d'utilisation et d'entretien n'a pas été lu.
- Sans avoir été formé à l'utilisation.
- Sans avoir été expressément autorisé à l'utilisation.
- Sans être majeur.
- Si la machine ne fonctionne pas correctement.
- Dans des lieux mal éclairés.
- Dans des environnements explosifs.
- Sur la voie publique.
- À l'extérieur, car la machine est destinée uniquement à une utilisation en intérieur.
- En présence de saleté nocive à la santé (poussières, gaz, etc.).
- s'il existe un risque de chute d'objets.
- dans des zones trop sombres ne permettant pas de voir les commandes de manière sûre ou d'actionner la machine.

Habillement et équipement :

- Porter des chaussures de sécurité à semelles antidérapantes.
- Porter des lunettes de protection ou une visière et des vêtements de sécurité.
- Les mesures de protection nécessaires pour le brouillard pulvérisé, en fonction de la surface à nettoyer et de son environnement, peuvent inclure des masques respiratoires de classe FFP2, équivalent ou supérieur.

Avant de démarrer la machine :

- Contrôler que la machine n'est pas endommagée.
- Vérifier le fonctionnement du frein.
- Contrôler que tous les dispositifs de sécurité sont installés et fonctionnels.

Durant l'utilisation de la machine :

- Un seul opérateur fait fonctionner la machine.
- Respecter scrupuleusement les règles de sécurité du lieu d'intervention en ce qui concerne les sols mouillés. Si nécessaire, placer des panneaux de sécurité sur le sol mouillé lors de l'utilisation de la machine.
- Stationner la machine sur une surface plane.
- Ne jamais laisser les enfants jouer sur ou à proximité de la machine.
- Selon le type de bâtiment dans lequel on évolue (par ex. Industries pharmaceutiques, hôpitaux, industries chimiques etc.) respecter scrupuleusement les réglementations et normes de sécurité internes.
- Ne pas utiliser cette machine pour d'autres usages que ceux expressément prévus.
- Respecter l'utilisation prévue. La machine est destinée à une utilisation commerciale, par exemple dans des hôtels, écoles, hôpitaux, usines, magasins, bureaux et centres commerciaux.
- Garder toutes les parties du corps à l'intérieur du poste de conduite lorsque la machine est en mouvement.
- L'utilisation est autorisée uniquement à l'intérieur.
- Elle doit être stockée uniquement dans un local fermé.
- Ne pas autoriser l'utilisation de la machine comme jouet.
- La machine n'est pas conçue pour remorquer ou être re-

- morquée.
- Ne rien poser sur la machine.
- Ne pas boucher les fentes de ventilation et d'évacuation de la chaleur.
- Ne pas enlever, modifier ou ignorer les dispositifs de sécurité.
- La machine a été conçue pour être utilisée avec les détergents fournis ou conseillés par le constructeur. L'utilisation d'autres détergents ou substances chimiques peut compromettre la sécurité de l'appareil.
- Pendant l'utilisation de détergents pour le nettoyage des sols, suivre les instructions et les avertissements figurant sur les étiquettes des flacons.
- Ne pas utiliser de détergents pouvant produire des réactions dangereuses, vapeurs, chaleur, etc.
- Pendant l'utilisation, un brouillard pulvérisé peut se former. L'inhalation de brouillard pulvérisé peut être nocive pour la santé.
- L'employeur doit procéder à une évaluation des risques afin de préciser les mesures de protection nécessaires relatives à la formation de brouillards pulvérisés, en fonction de la surface à nettoyer et de son environnement. Les masques de protection de classe FFP 2, équivalent ou supérieur, sont adaptés à la protection contre l'inhalation de brouillard pulvérisé.
- Ne pas mettre les mains dans les parties en mouvement.
- En cas de panne et/ou mauvais fonctionnement de la machine, l'arrêter tout de suite (en débranchant les batteries/ le câble secteur) et ne pas essayer de la réparer. Adressez-vous à un centre d'assistance technique du constructeur.
- La plage de température prévue pour l'utilisation de la machine est comprise entre +4°C / 39.2°F et +40°C / 104°F; par contre, quand la machine n'est pas utilisée, cette plage de température va de +0°C / 32°F à +50°C / 122°F.
- La plage d'humidité prévue pour la machine est comprise entre 30% et 95%, quelles que soient les conditions.
- La machine doit être utilisée à une altitude inférieure à 2000 m / 6561.68 ft.
- Ne pas l'utiliser pour nettoyer des surfaces sur des pentes ou des rampes supérieures à celles indiquées sur la machine.
- Ne pas l'utiliser sur des pentes ou des rampes supérieures à celles indiquées sur la machine.
- Lors de l'utilisation de la machine sur une petite pente, ne pas utiliser la machine dans le sens transversal, garder le véhicule parallèle à la direction de la pente, toujours le manœuvrer avec précaution et ne pas faire demi-tour.
- La machine n'est pas prévue pour être utilisée par des personnes (y compris les enfants) dont les capacités physiques, sensorielles ou mentales sont réduites, ou qui manquent d'expérience ou de connaissance, sauf si elles ont pu bénéficier de la surveillance ou des instructions concernant l'utilisation de la machine de la part d'une personne responsable de leur sécurité.
- Ne pas utiliser la machine pour le transport de personnes/ objets ou le remorquage d'objets.
- Enlever les bijoux, montres, cravates ou autres.
- L'opérateur doit toujours se munir des équipements de

protection individuelle (EPI): blouse ou combinaison de protection, chaussures antidérapantes et imperméables, gants en caoutchouc, lunettes et casque, masque pour la protection des voies respiratoires.

Avant de quitter la machine ou avant l'entretien :

- Stationner la machine sur une surface plane.
- Éteindre la machine et retirer la clé de contact.

Lors de l'entretien :

- Toutes les opérations doivent être réalisées dans des conditions de visibilité et d'éclairage suffisantes.
- Débrancher la machine du secteur, en débranchant les batteries.
- L'opérateur doit toujours se munir des équipements de protection individuelle (EPI): blouse ou combinaison de protection, chaussures antidérapantes et imperméables, gants en caoutchouc, lunettes et casque, masque pour la protection des voies respiratoires.
- Enlever les bijoux, montres, cravates ou autres.
- Ne pas pousser la machine si aucun opérateur n'est assis sur le siège et peut manœuvrer le volant.
- Protéger les batteries contre les impuretés, par exemple la poussière métallique.
- Prendre soin d'éviter tout contact lors de l'utilisation de l'acide pour batterie. En cas de fuite de liquide de batterie, ne pas toucher le liquide et respecter les précautions suivantes : Le contact avec la peau peut causer des irritations, laver à l'eau et au savon. L'inhalation peut causer une irritation des voies respiratoires, sortir à l'air frais et consulter un médecin. Le contact avec les yeux peut causer des irritations, laver immédiatement et soigneusement les yeux à l'eau pendant au moins 15 minutes. Consulter un médecin.
- Ne poser aucun outil sur les batteries: risque de court-circuit et d'explosion.
- Toujours utiliser (si fourni) le chargeur de batterie livré avec la machine ou un chargeur ayant les valeurs conseillées dans les caractéristiques techniques.
- Faire installer la batterie par du personnel technique qualifié de TENNANT.
- Contrôler régulièrement le câble d'alimentation du chargeur de batterie pour vérifier qu'il n'est pas abîmé ; s'il est abîmé l'appareil ne doit pas être utilisé ; le faire remplacer par un personnel technique qualifié de TENNANT. Débrancher les deux alimentations du chargeur de batterie (CA et CC).
- Ne pas tirer sur le câble du chargeur de batterie pour le débrancher de la prise de courant, saisir la fiche et tirer.
- Ne jamais laver la machine au jet d'eau.
- Le nettoyage et l'entretien destinés à être effectués par l'utilisateur ne doivent pas être effectués par des enfants sans surveillance.
- Toutes les réparations doivent être effectuées par du personnel technique qualifié de TENNANT.
- N'utiliser que des accessoires et des pièces détachées d'origine, qui garantissent une sécurité et un fonctionnement optimum.
- Ne pas utiliser de pièces récupérées sur d'autres ma-

chines ou des pièces adaptables.

Lorsque la machine est chargée/déchargée d'un véhicule :

- Vider les réservoirs avant de charger la machine.
- Soulever la tête et retirer le suceur de la machine.
- Ne pas conduire la machine sur une rampe glissante.
- Faire particulièrement attention lors de l'utilisation de la machine sur des rampes.
- Éteindre la machine et retirer la clé de contact.
- Bloquer les roues de la machine.
- Utiliser des sangles pour ancrer la machine.

CONSERVER CES INSTRUCTIONS

SIGNALISATION DE SÉCURITÉ

	ATTENTION, RISQUE DE COUPURE
	ATTENTION, RISQUE D'ABRASION
	PENTE FRANCHISSABLE
	MANUEL DE L'OPÉRATEUR, INSTRUCTIONS POUR LE FONCTIONNEMENT
	LIRE LE MANUEL DE L'OPÉRATEUR
	SYMBOLE DE COURANT CONTINU
	CLASSE D'ISOLATION, CETTE CLASSIFICATION EST VALABLE UNIQUEMENT POUR UNE MACHINE À BATTERIE.
	POINT DE CONNEXION DU CHARGEUR DE BATTERIE EXTERNE.
	POINT DE LEVAGE DE LA MACHINE

▲ WARNING

TO REDUCE THE RISK OF FIRE, EXPLOSION, ELECTRICAL SHOCK OR INJURY:

- Read manual before operating machine. • Do not use outdoors. • Do not use in rain or damp conditions. • Do not use near flammable liquids, vapors or combustible dusts. • Keep sparks and open flame away from batteries. • Do not charge batteries with damaged cord. • Remove battery before servicing machine.

▲ AVERTISSEMENT

POUR RÉDUIRE LES RISQUES D'INCENDIE, L'EXPLOSION, DE CHOC ÉLECTRIQUE OU DE LÉSION:

- Lire le manuel avant d'utiliser la machine. • Ne pas utiliser en extérieur. • Éviter d'utiliser en pluie ou dans des conditions humides. • Ne pas utiliser à proximité de liquides inflammables, vapeurs ou poussières combustibles. • Éloigner les étincelles et les flammes nues des batteries. • Ne chargez pas les batteries avec un cordon endommagé. • Retirez la batterie avant de l'entretenir la machine.

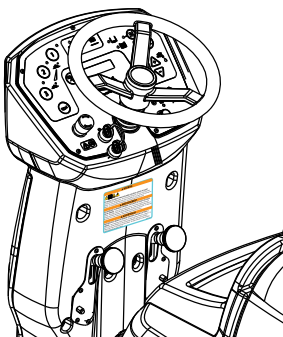
▲ ADVERTENCIA

PARA REDUCIR EL RIESGO DE INCENDIO, EXPLOSION, CHOQUE ELÉCTRICO, O LESIONES:

- Leer el manual antes de utilizar la máquina. • No utilizar en exteriores. • Evitar utilizar en lluvia o en condiciones húmedas. • No utilizar cerca de líquidos inflamables, vapores o polvo combustible. • Mantenga las chispas y las flamas abiertas lejos de las baterías. • No cargue las baterías si el cable está dañado. • Retire la batería antes de reparar la máquina.

© 2017 Husqvarna

ÉTIQUETTES DE SÉCURITÉ. L'ÉTIQUETTE DE SÉCURITÉ APPARAÎT SUR LA MACHINE DANS LA POSITION INDIQUÉE. REMPLACER L'ÉTIQUETTE SI ELLE EST MANQUANTE OU SI ELLE EST ENDOMMAGÉE OU ILLISIBLE.



CARACTÉRISTIQUES TECHNIQUES

			Disque 90 cm	Rouleaux 75cm
Largeur de travail		mm	920	750
		inch	36.22	29.52
Largeur suceur		mm	1100	1010
		inch	43.3	39.76
Rendement horaire		m ² /h	5300	4300
		ft ² /h	57048.72	46284.81
Nombre de brosses		no.	2	2
Diamètre brosse		mm	460	150x750
		inch	18.11	5.9x29.52
Pression maximale brosse		kg	100	50
		lbs	220.46	110.23
Vitesse rotation brosse		rpm	200	1000
Puissance moteur brosse		W	400x2	1000
		HP	0.53x2	1.34
Puissance moteur traction		W	560	560
		HP	0.75	0.75
Puissance moteur aspiration		W	672	672
		HP	0.9	0.9
Puissance machine, (P _M)		W	2592	2592
		HP	3.47	3.47
Vitesse maximale		km/h	6	6
		mph	3.72	3.72
Réservoir solution		l	125	125
		gal	33.02	33.02
Réservoir récupération		l	135	135
		gal	35.66	35.66
Diamètre roue avant		mm	300	300
		inch	11.81	11.81
Diamètre roue arrière		mm	300	300
		inch	11.81	11.81
Pente franchissable			16% / 9°	16% / 9°
Poids brut (GVW) avec la batterie la plus lourde		kg	917	936
		lbs	2021.64	2063.53
Poids de transport sans batterie		kg	292	300
		lbs	643.75	661.39
Poids de transport avec la batterie la plus lourde		kg	707	715
		lbs	1558.67	1576.31
Tension machine, V _M		V	36	36
Nombre de batteries	GEL/AGM	no.	6	6
Capacité batterie individuelle		Ah (20h)	350	350
Poids batterie individuelle		kg	48,2	48,2
	lbs	106.3	106.3	
Nombre de batteries	WET-ACID	no.	6	6
Capacité batterie individuelle		Ah (20h)	360	360
Poids batterie individuelle		kg	44,5	44,5
	lbs	98	98	
Tension d'alimentation (chargeur de batterie)		V	36 dc	36 dc
Intensité max. (chargeur de batterie)		A	40	40
Dimensions machine		mm X Y Z	1720 1100 1360	1810 1050 1360
		inch X Y Z	67.71 43.3 53.54	71.25 41.33 53.54

Dimension coffret batteries (longueur, largeur, hauteur)	mm	620 530 440	620 530 440
	inch	24.4 20.86 17.32	24.4 20.86 17.32
Dimensions de la machine sans suceur (longueur, largeur, hauteur)	mm	2000 1280 1670	2000 1280 1670
	inch	78.74 50.39 65.74	78.74 50.39 65.74
Pression sonore - Annexe DD (Émission de bruit acoustique) EN 60335-2-72: 2012	LpA (dBA)	72	72
Incertitude de la mesure	K (dBA)	3	3
Vibrations, main- CEI 60335-2-72	ahv m/sec ²	≤2,5	≤2,5
Vibrations, corps - CEI 60335-2-72	HBV m/sec ²	≤0,5	≤0,5
Température maximale eau et détergent	°C	55	55
Indice IP	IP	IPX3	IPX3

Poids total en charge (GVW) : poids maximum autorisé en charge de la machine prête à l'utilisation et de sa charge utile. Le poids brut de la machine comprend le réservoir d'eau de lavage plein d'eau propre, le réservoir de récupération vide de l'eau sale, les sacs vides de collecte de la poussière, la trémie chargée à la capacité nominale, les batteries plus grandes conseillées, tous les accessoires comme les câbles, tubes, détergents, balais et brosses.

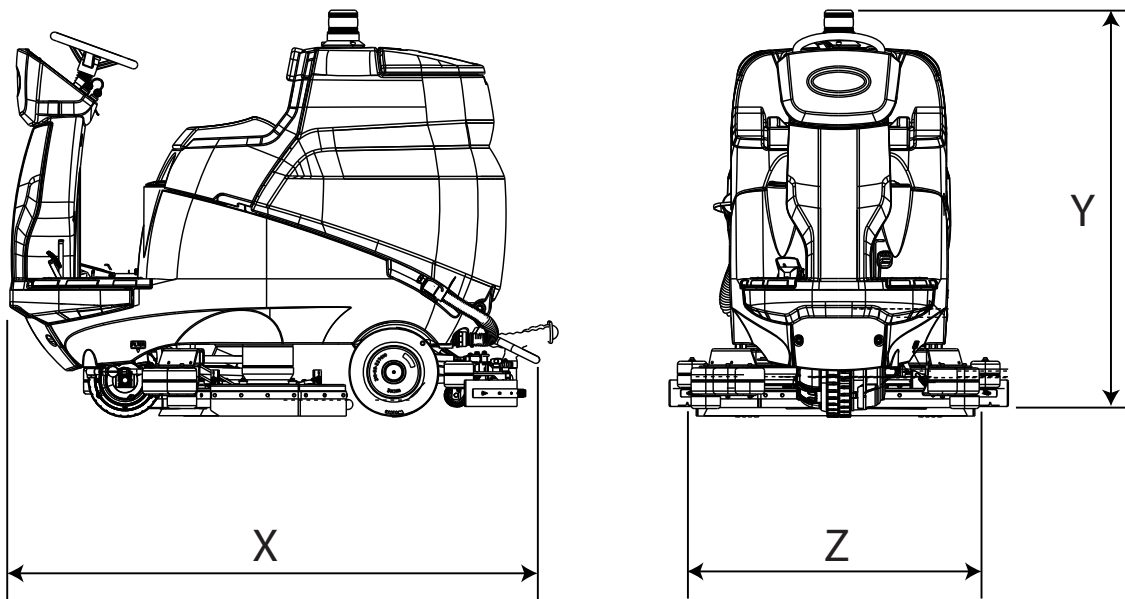
Poids transporté : poids de transport de la machine, qui comprend les batteries, mais exclut les options (par exemple, la cabine du conducteur, le FOPS, la deuxième et troisième brosse latérale, l'attelage frontal pour les brosses), l'eau fraîche (dans le cas de scrubber ou de machines combinées) et le poids d'un opérateur standard (75 kg)..

Ces caractéristiques peuvent être modifiées sans préavis

V, I : valeurs pour la recharge/alimentation

V_M, P_M : machine en condition moyenne de travail (toutes les fonctions actives)

DIMENSIONS MACHINE



X-Y-Z: Voir tableau « CARACTÉRISTIQUES TECHNIQUES ».

INFORMATIONS GÉNÉRALES

But du manuel

Ce manuel a été rédigé par le Constructeur et fait partie intégrante de la [machine](#)¹.

Il définit l'usage pour lequel la machine a été conçue et il contient toutes les informations nécessaires aux [opérateurs](#)².

Outre ce manuel qui contient les informations nécessaires aux utilisateurs, d'autres notices ont été rédigées plus spécifiquement à destination des techniciens [chargés de la maintenance](#)³.

Les éventuelles indications droite ou gauche, sens des aiguilles d'une montre ou sens inverse des aiguilles d'une montre présentes dans ce livret se réfèrent toujours à la direction de marche de la machine.

Le respect des instructions données dans cette notice garantit la sécurité des conditions de travail, une réduction des frais d'exploitation, la qualité des résultats ainsi qu'une longévité accrue de la machine. Le non-respect de ces prescriptions peut entraîner des risques pour les personnes et provoquer des dommages à la machine, à la surface lavée et à l'environnement.

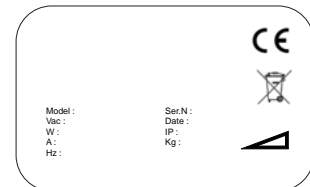
Pour une recherche plus rapide des sujets traités, consulter la table des matières au début du manuel.

Même si votre machine est différente des illustrations contenues dans ce document, la sécurité et les informations concernant cette machine sont garanties.

Identification de la machine

La plaque machine indique:

- Identification du constructeur.
- Modèle.
- Numéro de série (matricule).
- Année de fabrication.
- Tension d'alimentation (valeur pour la recharge/alimentation).
- Intensité de courant (valeur maximum de recharge, en accord avec les prescriptions du constructeur des batteries).
- Poids brut (GVW).
- Indice de protection IP.
- Tension de la machine (en conditions moyennes de travail).
- Puissance de la machine (en conditions moyennes de travail).
- Pente maximale.



Documentation jointe à la machine

- Manuel d'utilisation;
- Carte de garantie ;
- Guide rapide d'utilisation ;
- Instruction pour le réglage du type de batterie sur la machine ;

¹ La définition "machine" remplace la dénomination commerciale à laquelle se rapporte ce manuel.

² Ce sont les personnes qui utilisent la machine mais qui n'effectuent pas les interventions requérant une compétence technique précise.

³ Ce sont les personnes possédant l'expérience, la formation technique et de bonnes connaissances des normes et réglementations, leur permettant de reconnaître et éviter tout danger lors de la manutention, l'installation, l'utilisation et l'entretien de la machine.

INFORMATIONS TECHNIQUES

Description générale

La machine en question est une autolaveuse qui peut être utilisée dans un milieu domestique ou industriel pour laver et sécher les sols plats, horizontaux, lisses ou peu rugueux, uniformes et libres de tout encombrement.

L'autolaveuse répand sur le sol une solution d'eau et de détergent opportunément dosée puis balaie pour enlever la saleté. En choisissant avec attention le détergent pour le nettoyage et les brosses (ou disques abrasifs) parmi la large gamme d'accessoires disponibles, il est possible de nettoyer tous les sols et d'éliminer tous les types de saleté. Un système d'aspiration des liquides intégré à la machine permet de sécher le sol qui vient d'être lavé. Le séchage s'effectue à travers la dépression du réservoir de récupération générée par le moteur d'aspiration. Le suceur, raccordé au réservoir, permet d'aspirer l'eau sale.

Principales pièces de la machine

Les principales pièces de la machine sont :

1. Réservoir de récupération.
2. Réservoir solution.
3. Tableau de commandes.
4. Groupe tête.
5. Suceur.
6. Tuyau de vidange du réservoir de récupération.
7. Couvercle du réservoir de récupération.
8. Siège opérateur.
9. Coffre batteries.
10. Volant.
11. Tuyau de vidange du réservoir solution.
12. Tuyau du suceur.
13. Pédale accélérateur.
14. Orifice de remplissage du réservoir de solution.
15. Pédale frein de service et stationnement.
16. Brosses latérales (version avec tête à rouleaux uniquement).
17. Levier actionnement brosses latérales (version avec tête à rouleaux uniquement).

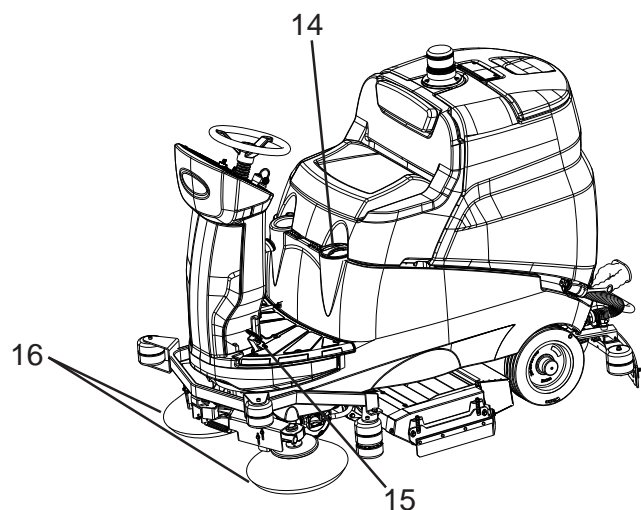
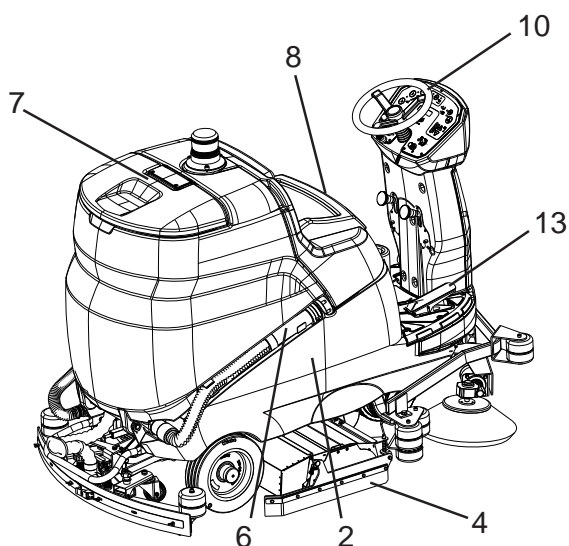
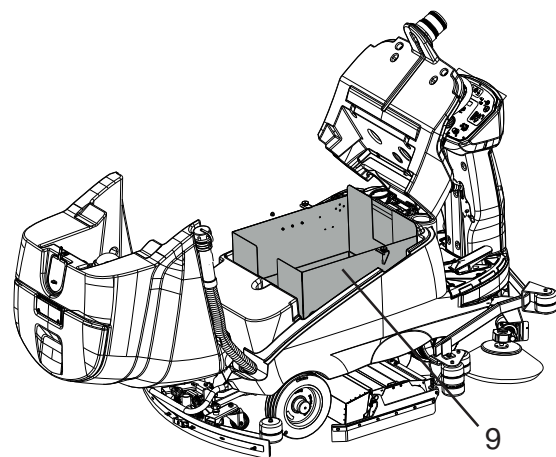
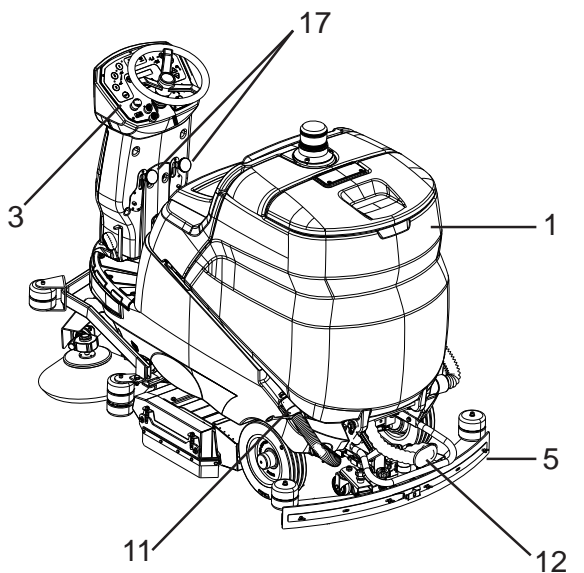


Tableau de commandes

Les commandes et les témoins de la machine sont:

18. Bouton d'accrochage/décrochage des brosses (brosses à disque uniquement), active l'accrochage ou le décrochage automatique des brosses.
19. Interrupteur général / Clé de démarrage, active et désactive l'alimentation électrique de toutes les fonctions de la machine.
20. Bouton d'urgence, fait office de dispositif de sécurité.
21. Potentiomètre de vitesse, règle la vitesse maximale de marche avant/arrière de la machine.
22. Sélecteur de direction de marche, permet de sélectionner la marche avant ou la marche arrière.
23. Boutons « + » et « - », appuyer sur ces boutons pour régler le débit.
24. Écran, il affiche : Tension (Volt) des batteries, codes d'alarme et compteur d'heures.
25. Bouton klaxon.
26. Bouton aspirateur, active/désactive l'aspirateur.
27. Bouton brosses, active/désactive le fonctionnement de la tête.
28. Indicateur de niveau réservoir solution, la LED s'allume quand il n'y a plus suffisamment d'eau dans le réservoir solution.
29. Indicateur de niveau réservoir récupération, la LED s'allume quand le réservoir récupération est plein.

30. Boutons programmes de travail (FONCTIONNEMENT AUTOMATIQUE DE LA MACHINE) : boutons qui permettent de sélectionner le programme de travail de la machine :

- 1, programme de lavage léger pour sols lisses pas très sales.
- 2, programme de lavage moyen pour sols lisses sales
- 3, programme de lavage très intensif pour sols rugueux (ciment, etc.) avec saleté tenace.

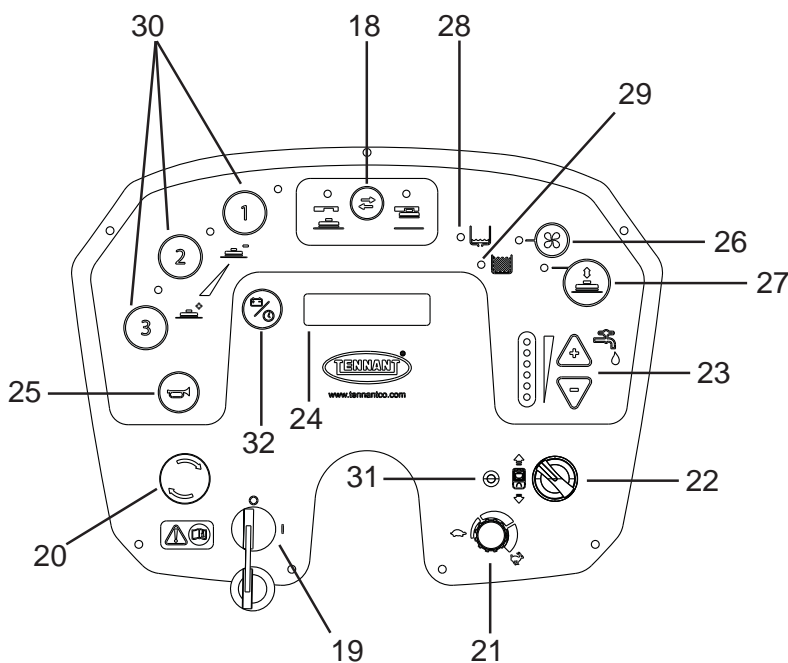
31. LED d'état d'actionnement de la roue motrice.

32. Bouton programmation, ce bouton permet d'afficher les paramètres configurables dans le logiciel de la machine.

Accessoires

Voir la liste des pièces de rechange conseillées

- Brosses /rouleaux en bassine, à utiliser pour le lavage des sols délicats et le lustrage.
- Brosses /rouleaux en polypropylène, à utiliser pour tous les types de sols.
- Brosses /rouleaux en tynex, à utiliser pour la saleté tenace sur des sols non délicats.
- Porte-tampon : permet l'utilisation des différents types de tampon de nettoyage.
- Batterie WET et GEL.
- Chargeur de batterie.



MANUTENTION ET **INSTALLATION**

Levage et transport de la machine emballée

! ATTENTION : pour toutes les opérations de levage, s'assurer que la machine est bien fixée afin d'éviter tout renversement ou chute accidentelle. Le chargement/déchargement des engins de transport doit être effectué avec un éclairage approprié.

La machine, emballée sur une palette en bois par le Constructeur, doit être chargée sur le véhicule de transport avec des engins de manutention adaptés (conformément à la Directive 2006/42/CEE et modifications/intégrations suivantes). Une fois arrivée à destination, la machine doit être déchargée à l'aide de moyens similaires.

La machine emballée peut être soulevée uniquement à l'aide d'un chariot élévateur à fourches. Manipuler avec précautions de façon à éviter les chocs et tout renversement.

Contrôles à la livraison

Au moment de la livraison par le transporteur, vérifier soigneusement que l'emballage et la machine sont intacts. Si la machine est endommagée, faire constater les dégâts au transporteur. Avant d'accepter la marchandise, se réserver, par écrit, la possibilité de demander le remboursement des dommages.

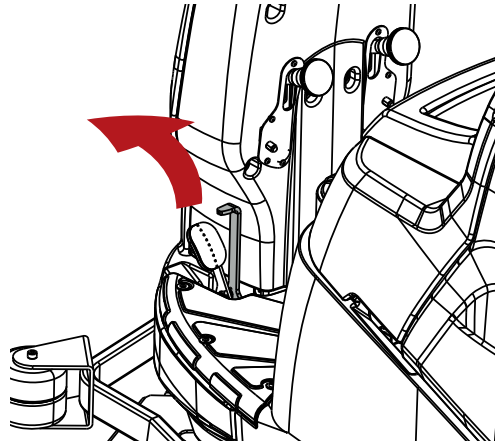
Déballage

! DANGER : pendant le déballage de la machine, l'opérateur doit être muni des équipements de protection nécessaires (gants, lunettes, etc.) afin de limiter les risques d'accident.

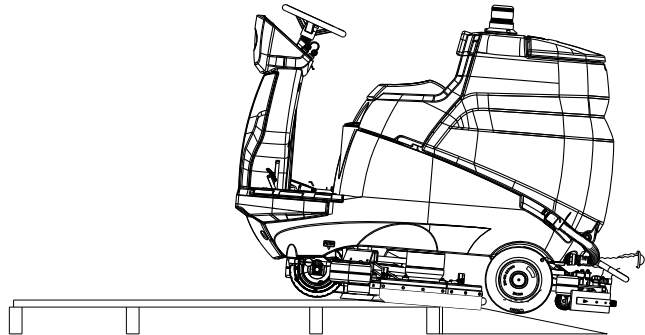
Déballer la machine en procédant de la manière suivante :

- Couper et éliminer les feuillards plastiques à l'aide de ciseaux ou de cisailles ;
- Retirer le carton ;
- Sortir les sachets placés à l'intérieur du coffre batteries et en vérifier le contenu : manuel d'utilisation ; carte de garantie ; guide rapide d'utilisation ; instruction pour le réglage du type de batterie sur la machine ; 1 connecteur pour la recharge des batteries ; 2 clés ;
- Retirer les brides métalliques qui fixent les roues avant/arrière et le châssis de la machine à la palette.

- Débrayer le frein de stationnement en appuyant sur le levier à côté de la pédale.
- Avant de déballer la machine, vérifier que la tête de nettoyage est relevée.



- Faire descendre la machine de la palette en la poussant en marche arrière sur un plan incliné. La machine ne doit pas être soulevée.



- Sortir les brosses et le suceur de leurs emballages.
- Nettoyer l'extérieur de la machine en respectant les normes de sécurité.

Une fois la machine déballée, on peut installer les batteries (consulter la section « **Batterie : installation et raccordement** »).

Si nécessaire, garder l'emballage, car il peut être réutilisé pour protéger la machine en cas de changement de site ou d'expédition aux ateliers de réparation.

Dans le cas contraire, il doit être éliminé conformément aux lois en vigueur.

Batteries d'alimentation

! ATTENTION : ne pas utiliser de batteries NON rechargeables

Deux types de batteries peuvent être installés sur ces machines:

Batteries tubulaires au plomb (WET) : ces batteries nécessitent un contrôle périodique du niveau de l'électrolyte.
Batteries GEL ou AGM : ce type de batterie ne nécessite aucun entretien.

Les caractéristiques techniques doivent correspondre à celles indiquées dans la section « **Caractéristiques techniques** » de la machine : en effet, l'emploi d'accumulateurs plus lourds peut compromettre sérieusement la maniabilité de la machine et entraîner une surchauffe du moteur de traction. Au contraire, l'emploi d'accumulateurs moins lourds et ayant une plus faible capacité exige des recharges plus fréquentes.

Paramètre de sélection de la batterie de la machine

! ATTENTION : pour les machines expédiées sans batteries, la machine est réglée en usine pour les batteries plomb acide humide par défaut.

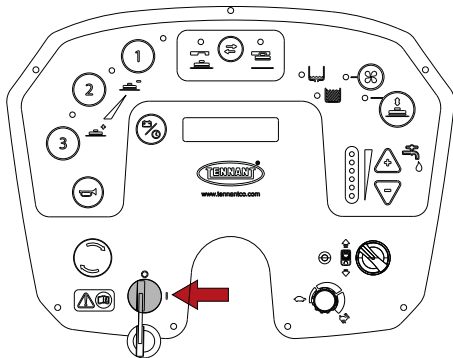
Selon le type de batterie choisi (plomb acide humide ou gel scellé/AGM), les paramètres de la batterie de la machine DOIVENT également être modifiés. Pour les instructions, consulter la section « Batteries d'alimentation ».

! INFORMATION

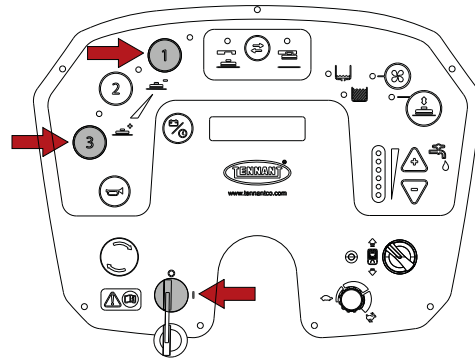
Régler sur le logiciel de la machine le type de batterie installé.

Suivre les instructions suivantes pour programmer sur la logique de la machine le type de batterie installée:

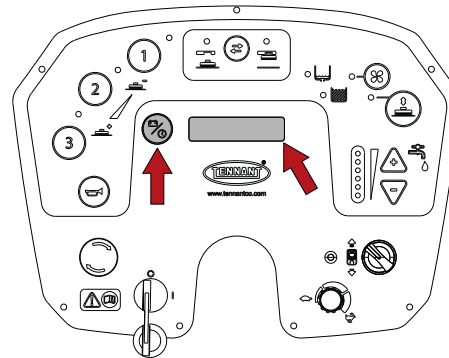
- Éteindre la machine en tournant la clé de contact.



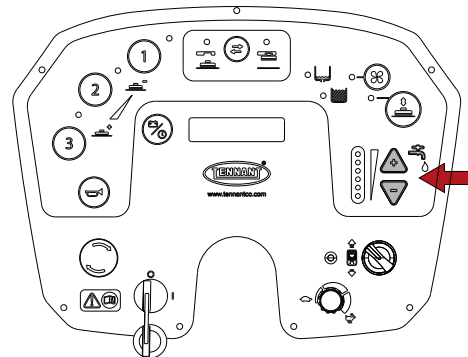
- Appuyer sur les boutons « 1 » et « 3 » simultanément, puis machine en marche en tournant la clé de contact.



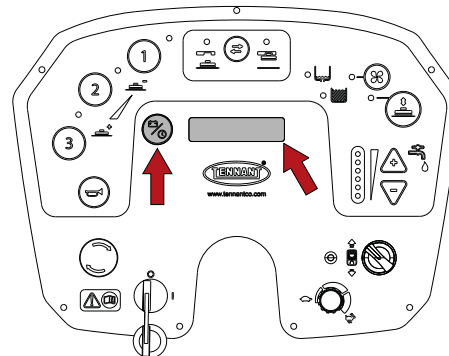
- Appuyer trois fois sur le bouton de programmation, l'écran affichera l'inscription « Batterie GEL ».




- Sélectionner avec les boutons « + » ou « - » le type de batterie installé : « Batterie ACIDE » ou « Batterie GEL ».





- Enregistrer le paramètre en maintenant pressé le bouton de programmation jusqu'à ce que la valeur de tension des batteries s'affiche.




Batteries WET, préparation :


 **! DANGER** : l'opération d'installation et de raccordement/retrait des batteries doit être effectuée par du personnel technique qualifié de TENNANT (ci-après dénommé personnel qualifié).

 **! DANGER** : pendant l'installation ou la maintenance des batteries, le personnel qualifié doit être muni des équipements de protection nécessaires (gants, lunettes, combinaison, etc.) pour limiter le risque d'accidents, s'éloigner de toute flamme nue, ne pas court-circuiter les pôles des batteries, ne pas provoquer d'étincelles, ni fumer.

 **! DANGER** : en cas de fuite de liquide de batterie, ne pas toucher le liquide et respecter les précautions suivantes :
Le contact avec la peau peut causer des irritations, laver à l'eau et au savon.
L'inhalation peut causer une irritation des voies respiratoires, sortir à l'air frais et consulter un médecin.
Le contact avec les yeux peut provoquer une irritation, laver immédiatement et soigneusement les yeux à l'eau pendant au moins 15 minutes. Consulter un médecin.


Batteries : installation et raccordement

 **! DANGER** : pendant l'installation ou la maintenance des batteries, le personnel qualifié doit être muni des équipements de protection nécessaires (gants, lunettes, combinaison, etc.) pour limiter le risque d'accidents, s'éloigner de toute flamme nue, ne pas court-circuiter les pôles des batteries, ne pas provoquer d'étincelles, ni fumer.

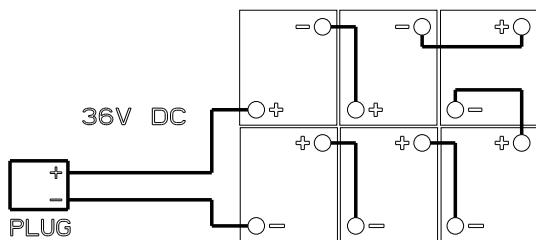
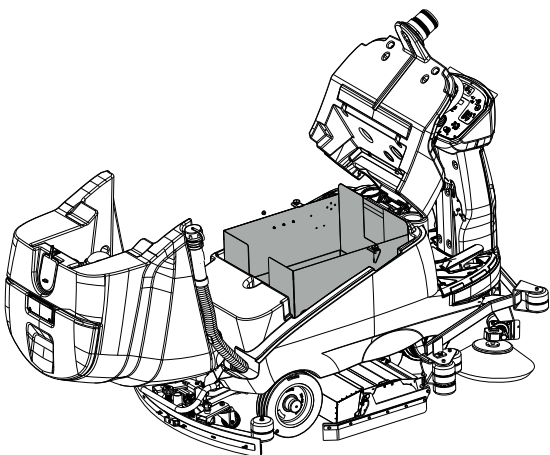
 **! DANGER** : en cas de fuite de liquide de batterie, ne pas toucher le liquide et respecter les précautions suivantes :
Le contact avec la peau peut causer des irritations, laver à l'eau et au savon.
L'inhalation peut causer une irritation des voies respiratoires, sortir à l'air frais et consulter un médecin.
Le contact avec les yeux peut provoquer une irritation, laver immédiatement et soigneusement les yeux à l'eau pendant au moins 15 minutes. Consulter un médecin.

! ATTENTION : l'opération d'installation et de branchement des batteries doit être réalisée par du personnel qualifié.

! ATTENTION : avant d'effectuer les opérations décrites ci-dessous, se placer sur une surface plane, éteindre la machine, retirer la clé de contact et enclencher le frein de stationnement.

 **! DANGER** : faire attention à raccorder les cosses avec le symbole « + » sur les pôles positifs. Ne pas contrôler la charge des batteries avec des outils générant des étincelles.

Faire pivoter le siège vers l'avant et le réservoir vers l'arrière, puis introduire les batteries dans le coffret et les orienter comme indiqué sur le compartiment des batteries. Raccorder les cosses du câblage aux pôles des accumulateurs, serrer les cosses sur les pôles et les recouvrir avec de la vaseline. Refermer le réservoir en position de travail. Utiliser la machine conformément aux instructions données dans cette notice.



Choix du chargeur de batterie

! ATTENTION : vérifier que le chargeur de batterie est compatible avec les batteries à charger.

Batteries tubulaires au plomb (WET) : un chargeur de batterie électronique est conseillé, consulter le fabricant et le manuel du chargeur de batterie pour vérifier que le chargeur de batterie externe convient.

Batteries gel ou AGM : utiliser un chargeur de batterie spécifique pour ce type d'accumulateurs.

Préparation du chargeur de batterie

! ATTENTION ! cette procédure doit être effectuée uniquement par un technicien autorisé.

Si on veut utiliser un chargeur de batterie non fourni avec la machine, il faut monter sur celui-ci le connecteur fourni avec la machine.

Le connecteur fourni pour le chargeur de batterie extérieur est conçu pour des câbles d'une section maximale 16 mm². Pour installer le connecteur:

dénuder les câbles rouge et noir du chargeur de batterie sur 13 mm environ;

insérer les câbles dans les bornes du connecteur et serrer à l'aide de pinces spéciales;

insérer les câbles dans le connecteur en respectant les polarités (câble rouge +, câble noir -).

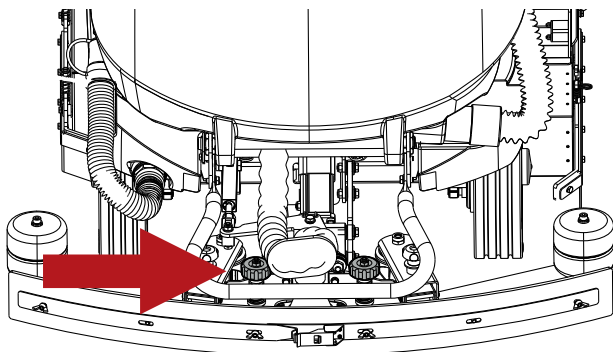
Réglages du chargeur de batterie

! ATTENTION : pour les machines expédiées sans batteries, la machine est réglée en usine pour les batteries plomb acide humide par défaut. En fonction du type de batterie installée, s'assurer que le chargeur de batterie est réglé correctement. Le non-respect de ces instructions peut entraîner des dommages à la batterie. Selon le type de batterie choisi (plomb acide humide ou gel scellé/AGM), les paramètres de la batterie de la machine **DOIVENT** également être modifiés. Pour les instructions, consulter la section « Batteries d'alimentation ».

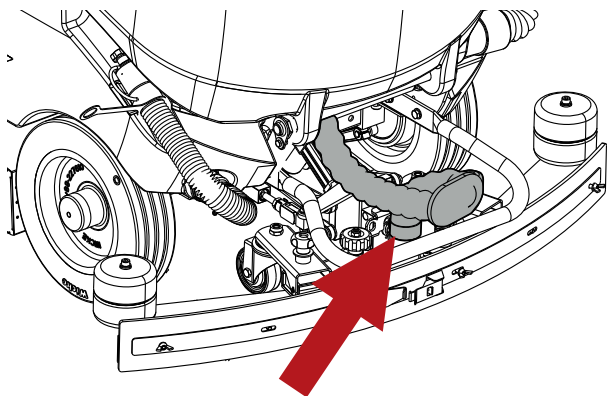
Installation du suceur

! ATTENTION : avant d'effectuer les opérations décrites ci-dessous, se placer sur une surface plane, éteindre la machine, retirer la clé de contact et enclencher le frein de stationnement.

- Desserrer les deux molettes.
- Insérer les deux pivots filetés dans les deux fentes du support.



- Brancher le tuyau d'aspiration au suceur en le courbant comme indiqué sur la figure.
- Visser les deux molettes.



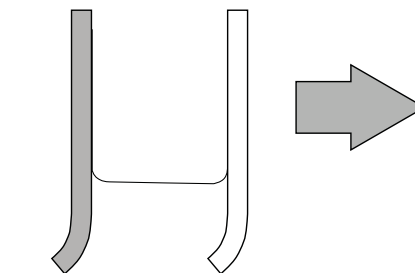
Le réglage du suceur est effectué en usine. Si la lame du suceur doit être réglée, consulter la section « Réglage du suceur ».

Réglage du suceur

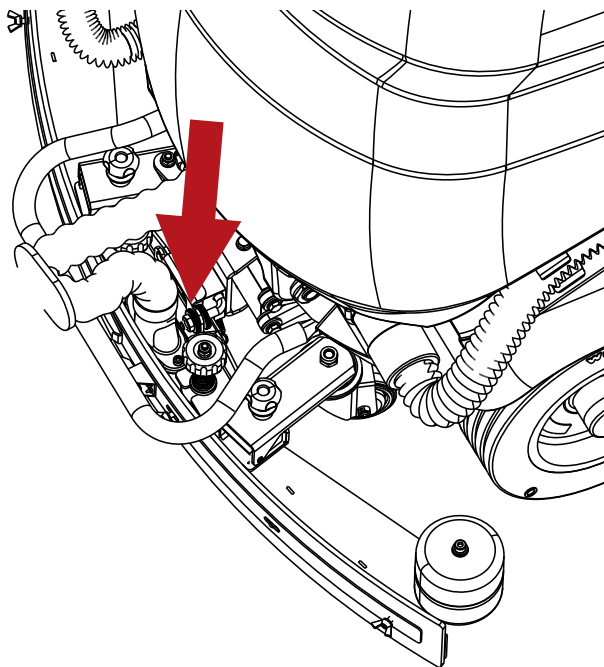
! ATTENTION : avant d'effectuer les opérations décrites ci-dessous, se placer sur une surface plane, éteindre la machine, retirer la clé de contact et enclencher le frein de stationnement.

Les lames du suceur détachent la pellicule d'eau et de détergent qui recouvre le sol afin de permettre un séchage parfait. A la longue, le frottement arrondit et fissure la partie de la lame en contact avec le sol, ce qui diminue l'efficacité du séchage et rend nécessaire le remplacement de la lame. Il est donc impératif de contrôler souvent l'usure de la lame.

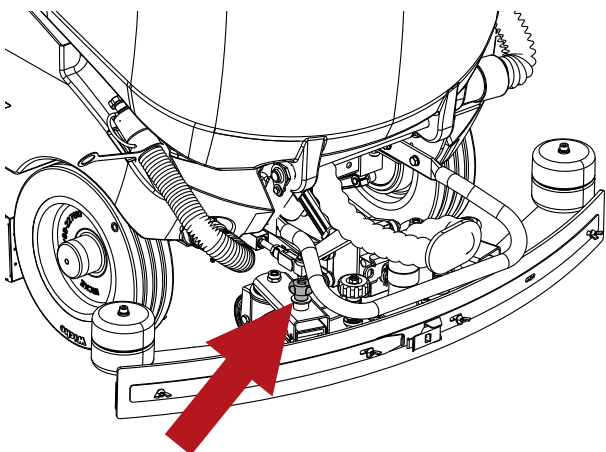
Pour obtenir un séchage parfait il faut régler le suceur comme sur la figure, de façon à ce que le bord de la lame arrière, pendant le travail, soit incliné de 45° environ par rapport au sol sur toute sa longueur.



Il est possible de régler l'inclinaison des lames à l'aide de la molette placée sur le suceur.



Il est également possible de régler la hauteur du suceur en ajustant la hauteur des deux roues placées devant/derrière le suceur, en tournant les molettes correspondantes.



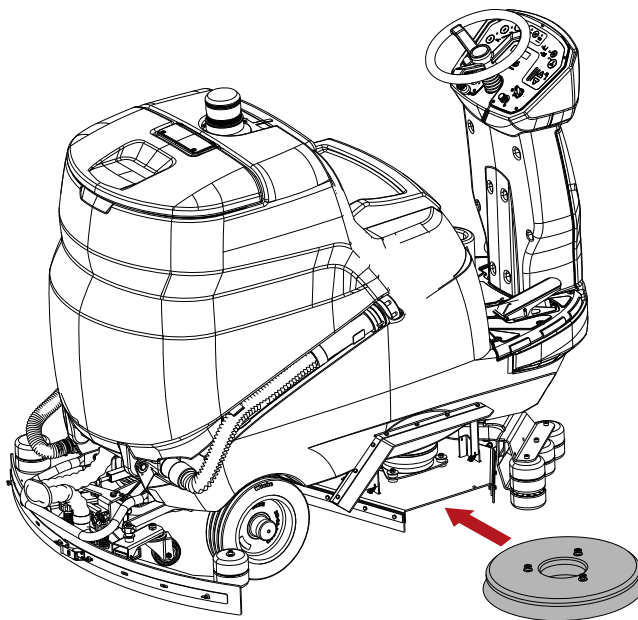
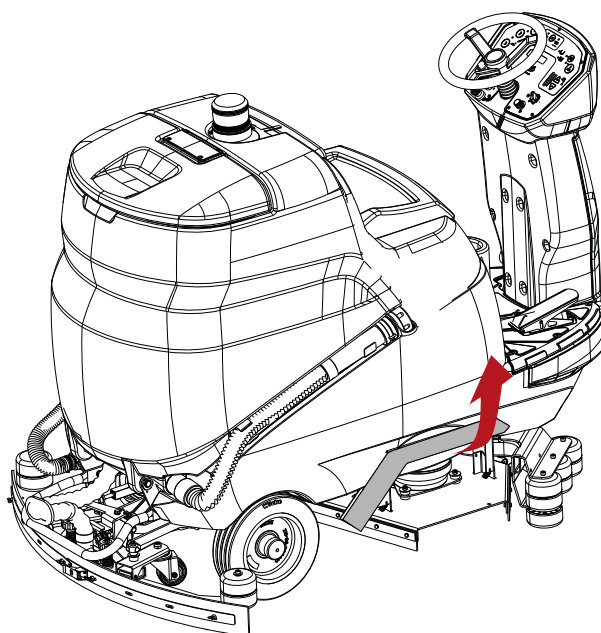
Installation brosse / porte-tampon

! ATTENTION : avant d'effectuer les opérations décrites ci-dessous, se placer sur une surface plane, éteindre la machine, retirer la clé de contact et enclencher le frein de stationnement.

! ATTENTION : avant d'installer le porte-tampon sur la machine, s'assurer d'avoir fixé le tampon au porte-tampon.

Montage brosse(ou porte-tampon) :

- relever les volets latéraux des deux côtés et placer les brosses sous la tête en prenant soin de les positionner contre le système de centrage pour les aligner avec le groupe d'accrochage.



Installation des brosses (tête à rouleaux)

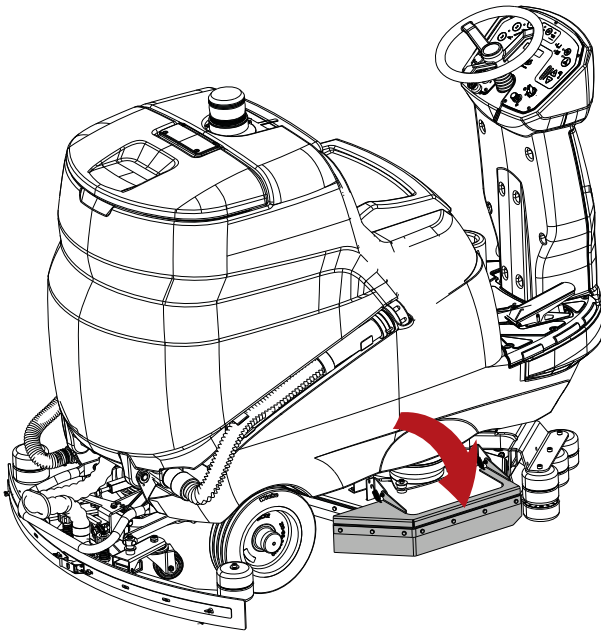
! ATTENTION : avant d'effectuer les opérations décrites ci-dessous, se placer sur une surface plane, éteindre la machine, retirer la clé de contact et enclencher le frein de stationnement.

! INFORMATION

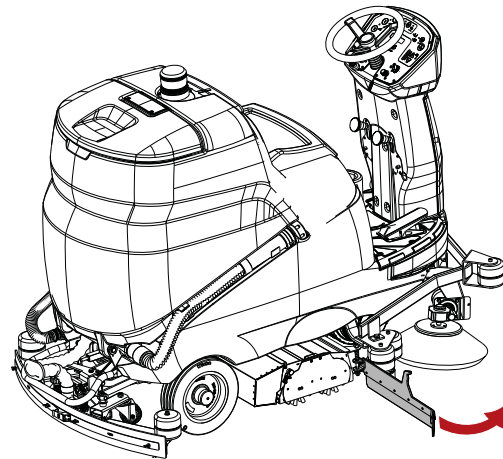
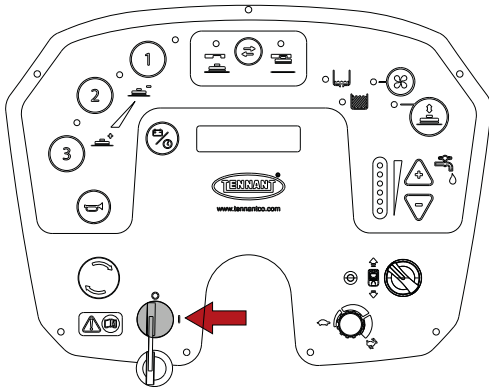
Les indications **DROITE** et **GAUCHE** sont déterminées par rapport au sens de marche de la machine

Montage :

- Ouvrir le volet latéral droit en décrochant le ressort.

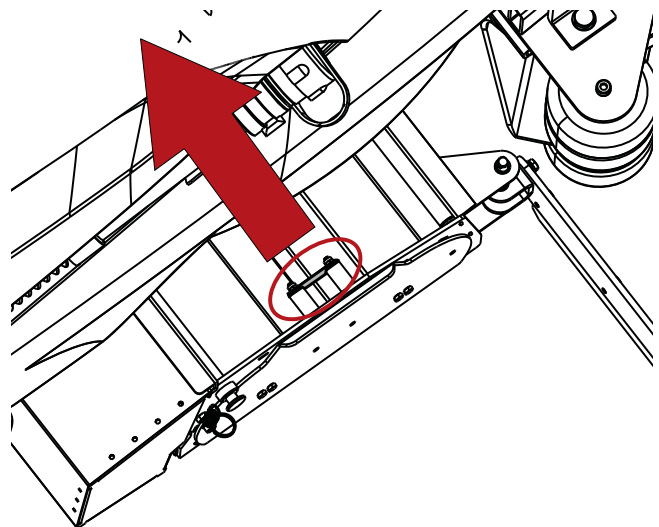


- Mettre la machine en marche en tournant la clé de contact.



- Retirer le couvercle du compartiment des brosses en tirant le levier de décrochage.

- Appuyer sur le bouton d'accrochage/décrochage des brosses, la machine effectuera d'abord une opération de décrochage, activant immédiatement après l'opération d'accrochage ; la machine est désormais prête pour l'accrochage qui pourra être effectué en appuyant à nouveau sur le bouton d'accrochage et de décrochage des brosses.

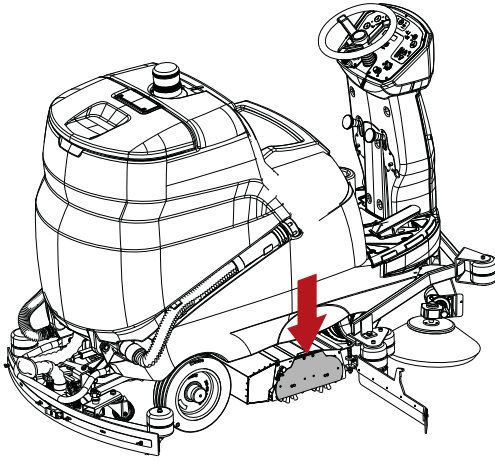


Installation des brosses latérales (tête à rouleaux)

! ATTENTION : avant d'effectuer les opérations décrites ci-dessous, se placer sur une surface plane, éteindre la machine, retirer la clé de contact et enclencher le frein de stationnement.

! INFORMATION

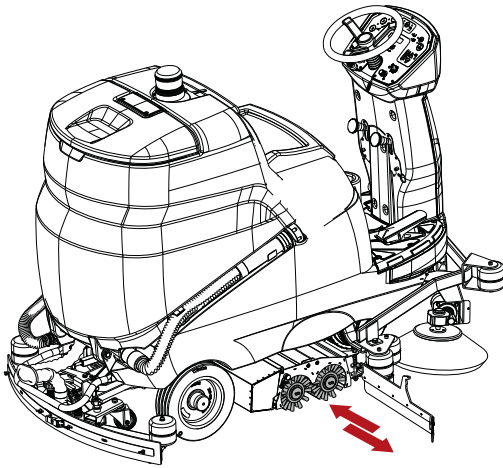
Les indications **DROITE** et **GAUCHE** sont déterminées par rapport au sens de marche de la machine



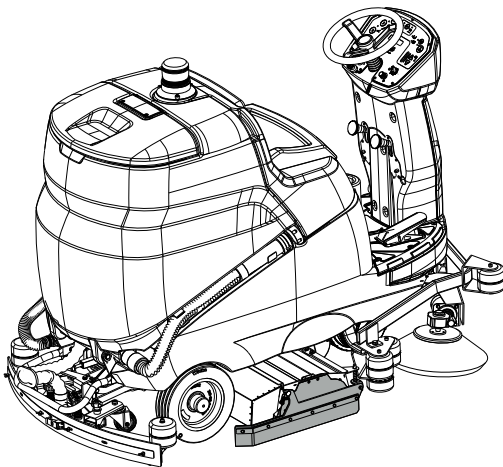
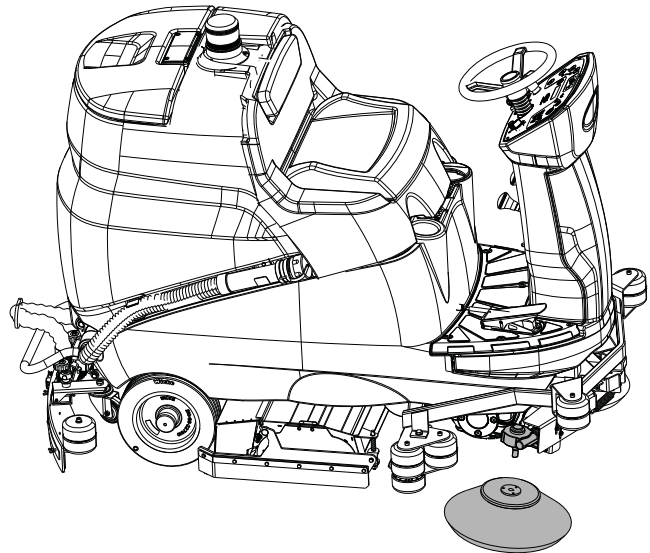
- Introduire les brosses rouleaux dans leurs logements, en ayant soin de les positionner correctement sur le pivot guide qui se trouve du côté opposé.

Montage :

- Dévisser la vis sur l'arbre moteur.
- Vérifier que la clavette d'entraînement ne soit pas insérée sur l'arbre moteur.
- Mettre la brosse avec la bride sur l'arbre moteur.
- Revisser la vis de blocage.



- Remonter le couvercle et fermer le volet latéral.



Démontage :

- Procéder en sens inverse.

Démontage :

- Procéder en sens inverse.

Remplissage du réservoir solution

! ATTENTION : avant d'effectuer les opérations décrites ci-dessous, se placer sur une surface plane, éteindre la machine, retirer la clé de contact et enclencher le frein de stationnement.



! DANGER : les liquides inflammables peuvent provoquer une explosion ou un incendie. Ne pas introduire de liquides inflammables dans le réservoir.

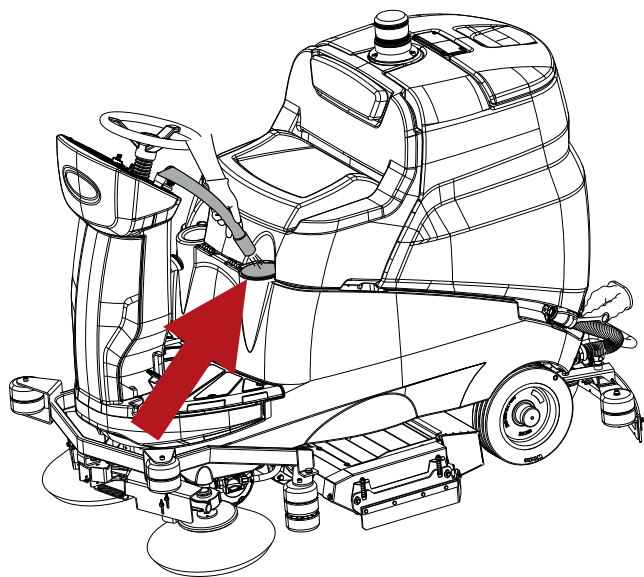
! ATTENTION : remplir le réservoir avec du détergent à une température comprise entre +4°C / 39.2°F et 55°C / 131°F.

! ATTENTION : la machine a été conçue pour être utilisée avec les détergents fournis ou conseillés par le constructeur. L'utilisation d'autres détergents ou substances chimiques peut compromettre la sécurité de l'appareil.

! ATTENTION : il est conseillé d'utiliser le produit détergent de manière raisonnée, selon les indications figurant sur l'emballage.

! ATTENTION : choisir dans la gamme des produits conseillés le détergent le mieux adapté au nettoyage à effectuer et le diluer avec de l'eau dans les proportions figurant sur l'emballage ou sur le catalogue.

Remplir le réservoir par l'orifice prévu à cet effet.



GUIDE PRATIQUE POUR L'OPÉRATEUR

Habillement et EPI

Porter des chaussures de sécurité à semelles antidérapantes.

Porter des lunettes de protection ou une visière et des vêtements de sécurité.

Les mesures de protection nécessaires pour le brouillard pulvérisé, en fonction de la surface à nettoyer et de son environnement, peuvent inclure des masques respiratoires de classe FFP2, équivalent ou supérieur.

Avant de mettre la machine en marche

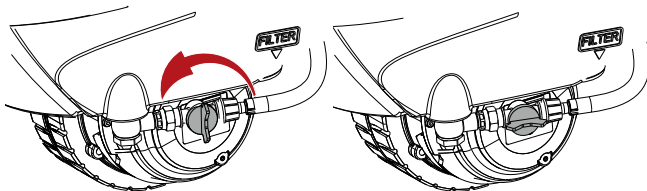
Ramasser les déchets de grande taille avant le lavage. Ramasser les morceaux de fil, rubans, ficelles qui pourraient s'enrouler autour des brosses.

Avant de commencer à laver, balayer la zone pour éviter la formation de stries sur le sol.

Préparation de la machine pour le travail

Effectuer les opérations suivantes avant de commencer à travailler:

- Vérifier que les batteries sont complètement chargées, sinon effectuer la recharge. Pour cette opération, respecter les indications de la section « **Recharge des batteries** ».
- S'assurer que le réservoir de récupération est vide ; si ce n'est pas le cas, le vider (consulter la section « **Vidange du réservoir de récupération** »).
- S'assurer que le réservoir de solution est plein, si ce n'est pas le cas, le remplir (consulter la section « **Remplissage réservoir de solution** »).
- S'assurer que le robinet d'écoulement de la solution est ouvert.



Travail

! ATTENTION : ne pas utiliser la machine sans avoir lu le manuel d'utilisation et d'entretien.

! INFORMATION

Dès qu'on relâche la pédale d'accélérateur toutes les fonctions s'arrêtent au bout de 5 secondes (Power-Off-On), et le voyant lumineux correspondant au programme sélectionné clignote. Pour réactiver les fonctions il suffit d'appuyer sur la pédale d'avancement, sans désactiver le programme sélectionné (Power Off-On).

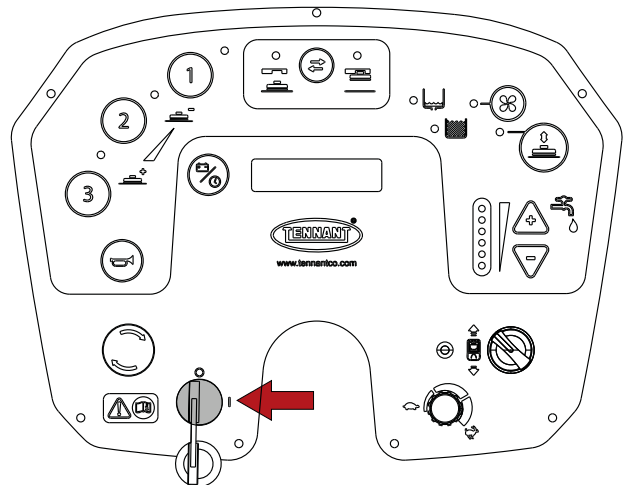
! INFORMATION

Si la machine recule, le suceur est soulevé automatiquement pour éviter les éventuels dégâts.

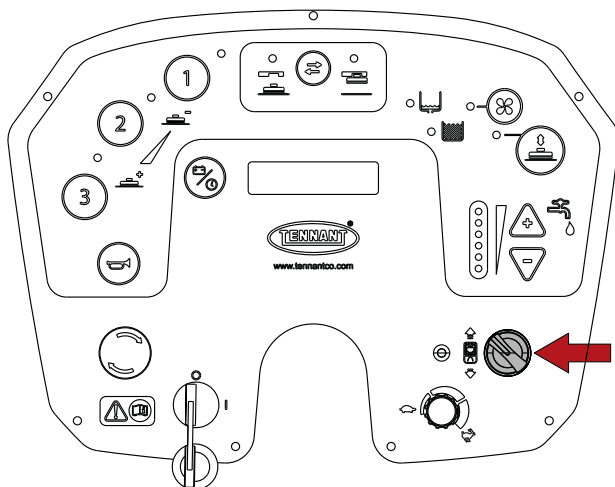


! DANGER : ne jamais ramasser de liquides inflammables ou explosifs (ex. essence, huile combustible, etc.) d'acides et solvants (ex. diluants pour peintures, acétone, etc.) même dilués.

- S'asseoir sur le siège.
- Mettre la machine en marche en tournant la clé de contact.



- Régler la marche avant avec le sélecteur de marche.



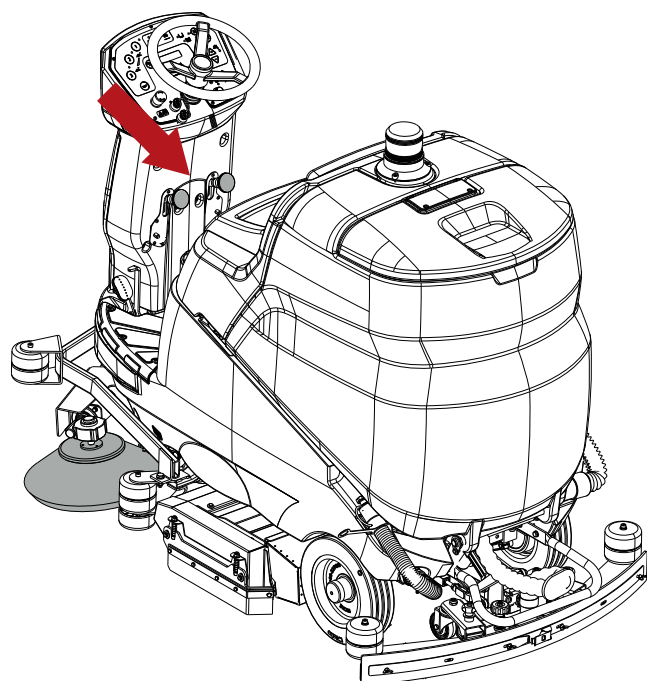
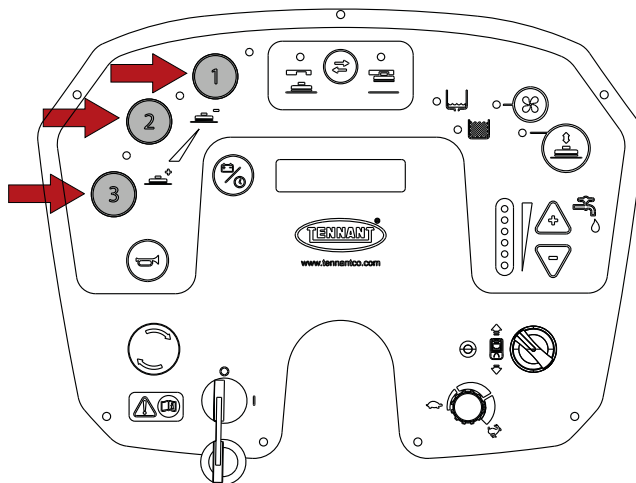
- Sélectionner le programme voulu parmi les trois programmes disponibles, toutes les fonctions du programme sélectionné s'activent (allumage moteurs brosse, allumage aspiration).
 - 1, programme de lavage léger pour sols lisses pas très sales.
 - 2, programme de lavage moyen pour sols lisses sales
 - 3, programme de lavage très intensif pour sols rugueux (ciment, etc.) avec saleté tenace.

Pour passer d'un programme à l'autre, désélectionner d'abord le programme existant, puis sélectionner le nouveau programme.

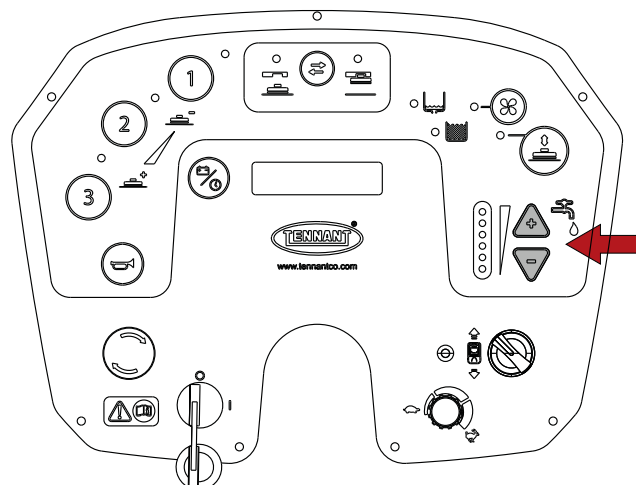
- **Version avec tête à rouleaux**, abaisser les brosses latérales en tirant et abaissant les leviers. Les moteurs des deux brosses ne se mettent en marche que lorsque les brosses sont complètement abaissées.

! INFORMATION

Un fusible réarmable est installé au-dessous de chaque levier d'actionnement de brosse latérale. Si une brosse latérale cesse de fonctionner, appuyer sur le bouton pour réarmer le fusible.



- Sélectionner le débit de solution le mieux adapté au type de lavage à effectuer, à l'aide des boutons « + » et « - », les LED allumées indiquent la quantité.



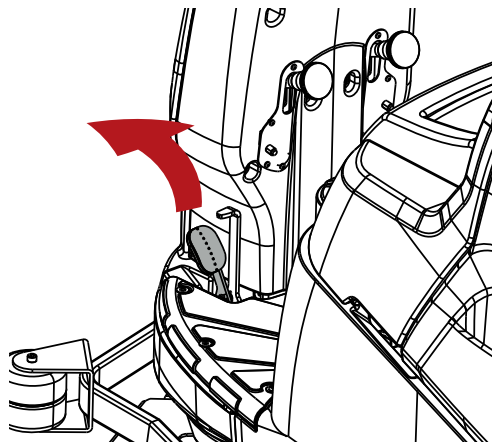
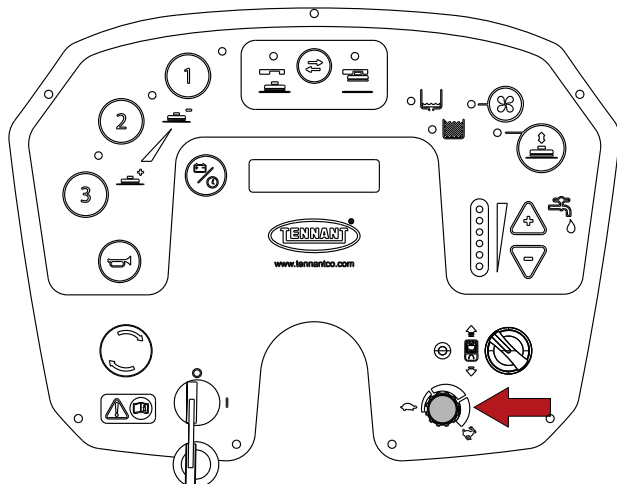
- Commencer le nettoyage, en manœuvrant le volant avec les mains et en appuyant sur la pédale d'accélérateur.

Pour enclencher le frein de stationnement, appuyer à fond sur la pédale de frein.

! INFORMATION

Par mesure de sécurité, il faut d'abord appuyer lentement sur la pédale d'accélérateur pour faire avancer la machine.

- Il est possible de régler la vitesse maximale de travail en tournant le potentiomètre.



Pour libérer le frein de stationnement, appuyer sur le levier à côté de la pédale.

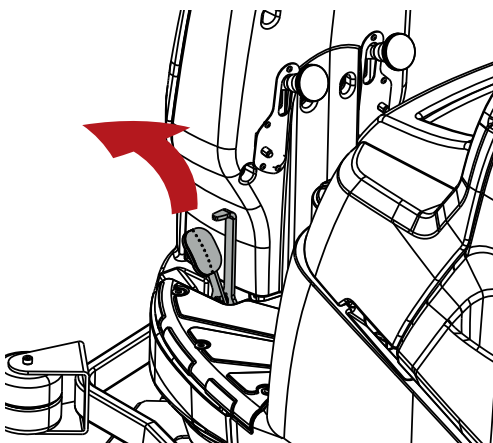
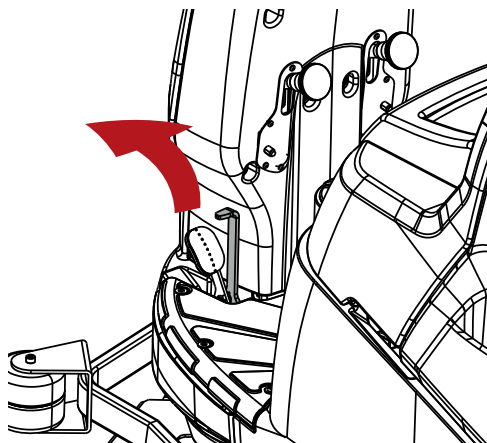
Pour arrêter la machine, relâcher la pédale d'accélérateur et appuyer sur la pédale de frein, consulter la section « Frein de service et frein de stationnement ».

! INFORMATION

Version avec tête à rouleaux, à la fin du travail soulever les brosses latérales.

Frein de service et frein de stationnement

Pour actionner le frein de service, appuyer sur la pédale de frein en même temps que le levier de déblocage du frein de stationnement.

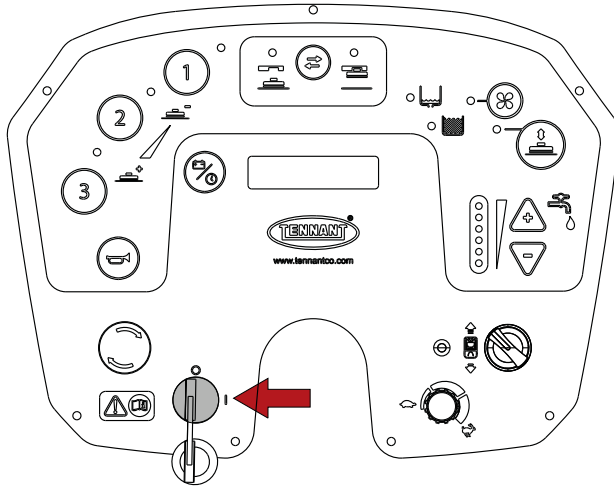


Double lavage

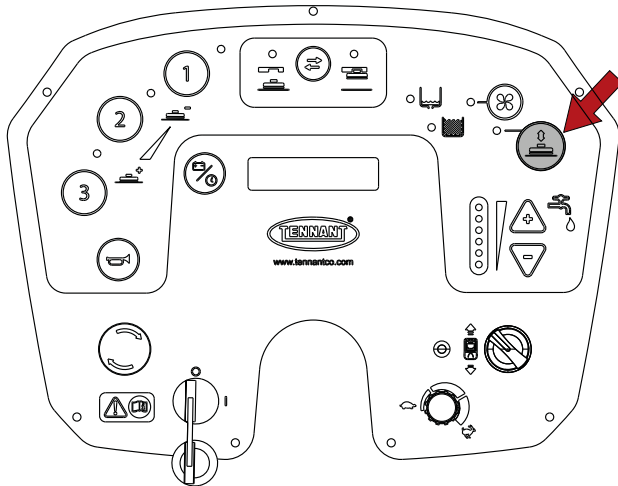
Si la saleté présente sur le sol est particulièrement tenace, il est possible d'effectuer un pré-lavage puis un séchage en deux temps distincts.

Pré-lavage avec l'utilisation de brosses ou d'un pad :

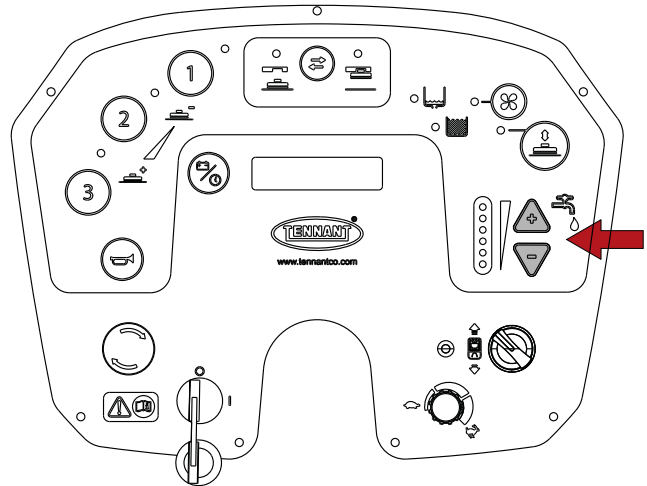
- Mettre la machine en marche en tournant la clé de contact.



- Appuyer sur la touche brosse.



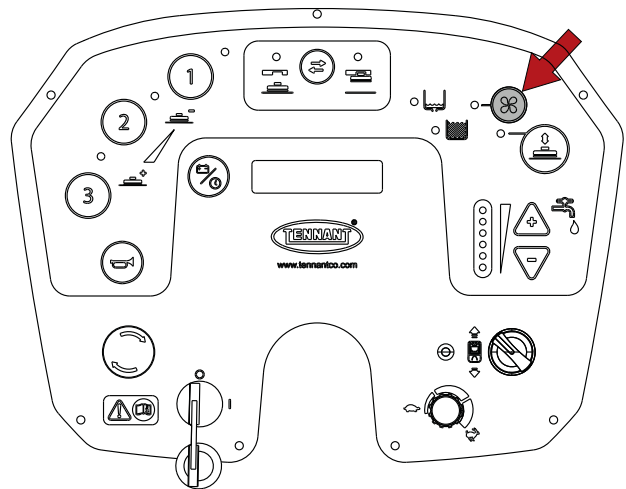
- Régler le débit de solution.



- Insister sur les endroits les plus sales: cela permet au détergent d'exercer son action chimique et aux brosses d'effectuer une action mécanique efficace.

Séchage :

- Appuyer sur le bouton aspiration, l'aspirateur est activé et le suceur s'abaisse.



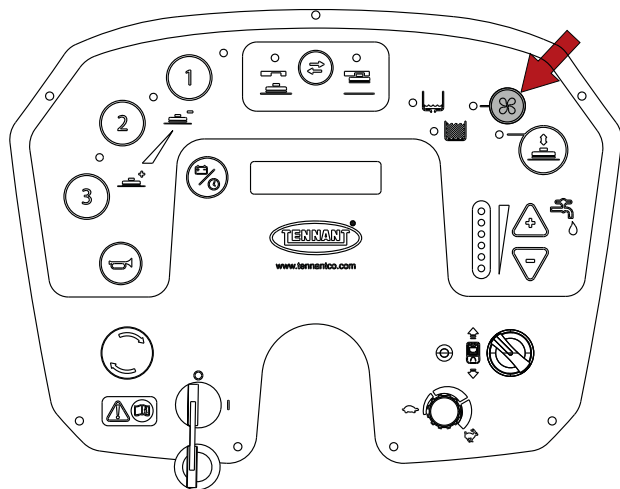
- Repasser sur la zone qui vient d'être lavée. On obtient ainsi le même résultat qu'un lavage en profondeur et on raccourcit considérablement les opérations d'entretien courant.

Ramassage de l'eau (sans lavage)

La machine peut être utilisée pour ramasser les déversements d'eau ou de liquide NON inflammables, sans effectuer de lavage.

Appuyer sur le bouton aspiration, le suceur s'abaisse et le ventilateur d'aspiration se met en marche.

Ramasser les liquides.



Durant le fonctionnement de la machine

- Essayer d'effectuer des passages les plus rectilignes possibles.
- Superposer les passages de nettoyage sur quelques centimètres.
- Régler la vitesse de la machine, la pression des brosses et le débit de détergent en fonction du nettoyage. Si possible, utiliser les réglages minimum pour la pression des brosses et le débit de détergent.
- Contrôler l'indicateur des batteries pour s'assurer d'avoir une autonomie suffisante pour terminer le travail.
- Contrôler l'indicateur du réservoir de solution pour vérifier qu'il n'est pas vide.
- Contrôler l'indicateur du réservoir de récupération pour vérifier qu'il n'est pas plein.
- Maintenir la machine en mouvement vers l'avant pour éviter d'endommager la finition du sol.

! ATTENTION : la tête de nettoyage et le suceur se relèvent automatiquement en position de transport si la clé est tournée sur « 0 ». Se tenir à l'écart des pièces mobiles pour éviter tout risque d'écrasement.

! ATTENTION : ne pas l'utiliser pour nettoyer des surfaces sur des pentes ou des rampes supérieures à celles indiquées sur la machine.

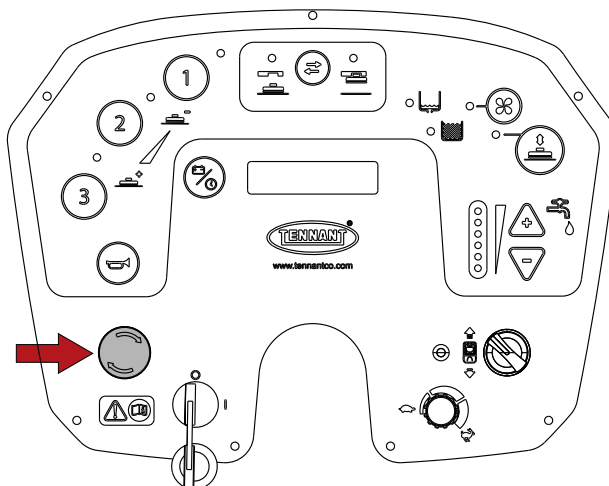
! ATTENTION: ne pas l'utiliser sur des pentes ou des rampes supérieures à celles indiquées sur la machine.

! ATTENTION : lors de l'utilisation de la machine sur une petite pente, ne pas utiliser la machine dans le sens transversal, garder le véhicule parallèle à la direction de la pente, toujours le manœuvrer avec précaution et ne pas faire demi-tour.

Bouton d'arrêt d'urgence

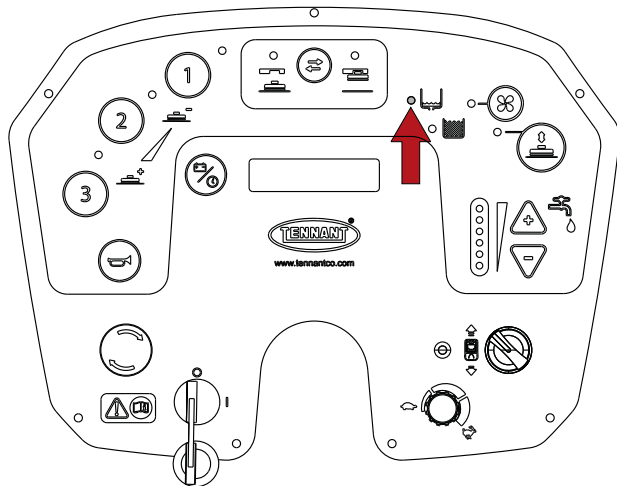
En cas d'urgence, le bouton interrompt l'alimentation de la machine.

Pour interrompre l'alimentation, appuyer sur le bouton. Pour redémarrer la machine, tourner le bouton ou tourner la clé.



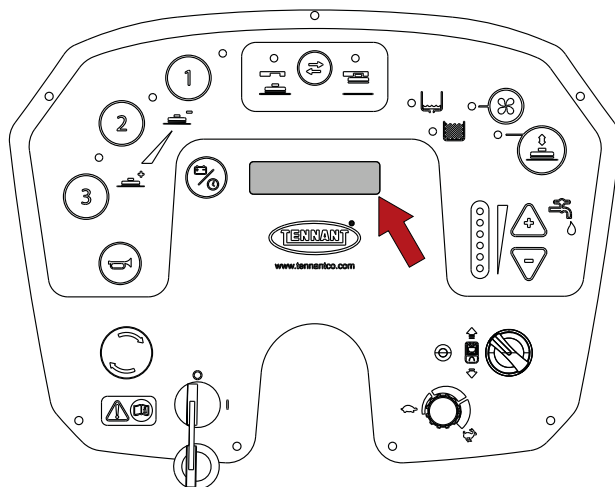
Indicateur de réservoir de solution vide

Lorsque le réservoir de solution est vide, l'indicateur s'allume et les fonctions de nettoyage sont interrompues. Remplir le réservoir de solution, pour cette opération, respecter les indications de la section « Remplissage du réservoir solution ».



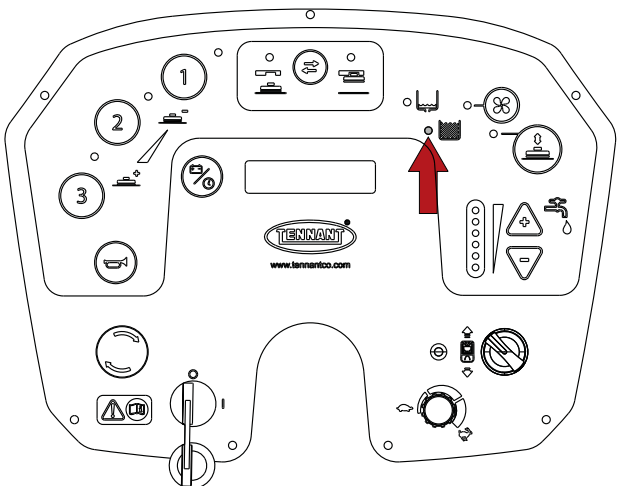
Indicateur des batteries

L'écran indique la tension des batteries : lorsque celle-ci descend au-dessous d'un certain niveau, les fonctions de nettoyage sont arrêtées à l'exception de la traction. Effectuer la recharge, pour cette opération respecter les indications de la section « Recharge des batteries ».



Indicateur de réservoir de récupération plein

Lorsque le réservoir de de récupération est plein, l'indicateur s'allume et les fonctions de nettoyage sont interrompues. Vider le réservoir de récupération, pour cette opération respecter les indications de la section « Vidange du réservoir de récupération ».

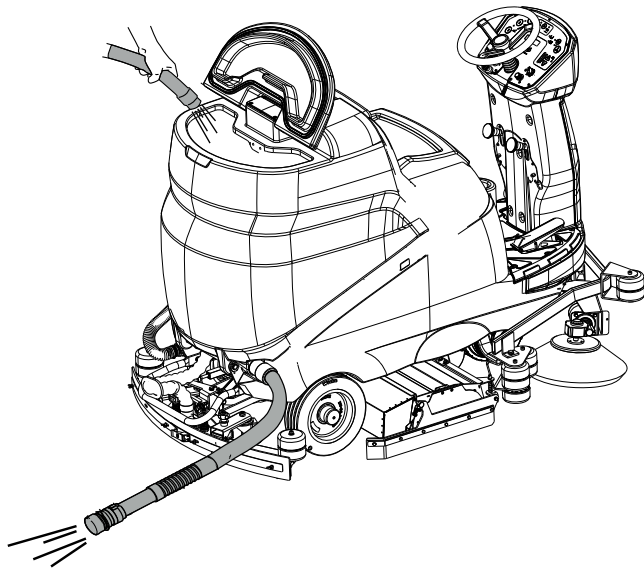


Vidange du réservoir de récupération

! ATTENTION : avant d'effectuer les opérations décrites ci-dessous, se placer sur une surface plane, éteindre la machine, retirer la clé de contact et enclencher le frein de stationnement.

À la fin du travail, vidanger le réservoir de récupération. Si le réservoir est plein, l'indicateur s'allume et les fonctions de nettoyage sont interrompues. Au bout de quelques secondes, le blocage du moteur de l'aspirateur intervient, il faut s'arrêter et vider le réservoir en suivant les instructions ci-dessous :

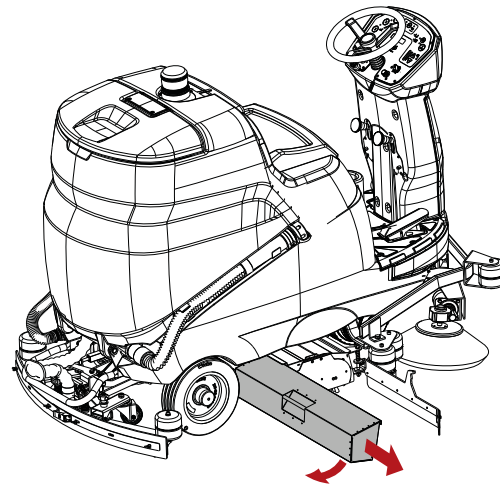
- Amener la machine dans la zone de vidange choisie.
- Décrocher le tube de l'attache.
- Vider le réservoir à l'aide du tuyau flexible, maintenir le tuyau soulevé, retirer le bouchon, puis abaisser lentement le tuyau sur l'évacuation.
- Rincer le réservoir à l'eau propre.
- Rincer le flotteur du réservoir de récupération, respecter les indications de la section « Nettoyage du réservoir de récupération ».
- Remettre en place le bouton du tuyau flexible et fixer à nouveau le tuyau à l'attache.



Vidage bac tête à rouleaux

! ATTENTION : avant d'effectuer les opérations décrites ci-dessous, se placer sur une surface plane, éteindre la machine, retirer la clé de contact et enclencher le frein de stationnement.

Pour vider le bac de la tête à rouleaux, tourner le fond du bac dans le sens des aiguilles d'une montre, puis tirer le tiroir directement vers l'extérieur. Le vider et le laver.

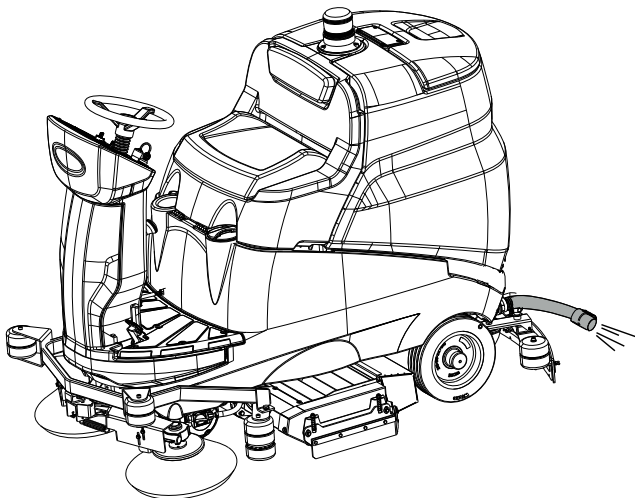


Vidage du réservoir solution

! ATTENTION : avant d'effectuer les opérations décrites ci-dessous, se placer sur une surface plane, éteindre la machine, retirer la clé de contact et enclencher le frein de stationnement.

Il est possible de vider le réservoir de solution en suivant les instructions ci-dessous :

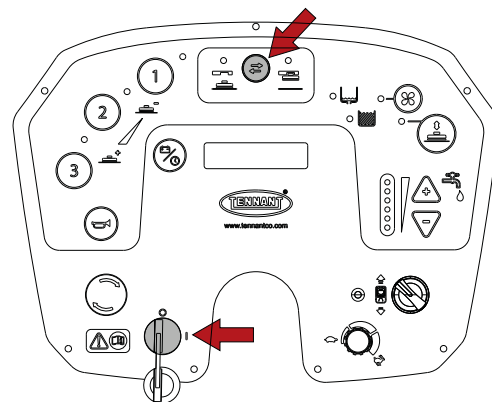
- Amener la machine dans la zone de vidange choisie.
- Décrocher le tube de l'attache.
- Vider le réservoir à l'aide du tuyau flexible, maintenir le tuyau soulevé, retirer le bouchon, puis abaisser lentement le tuyau sur l'évacuation.



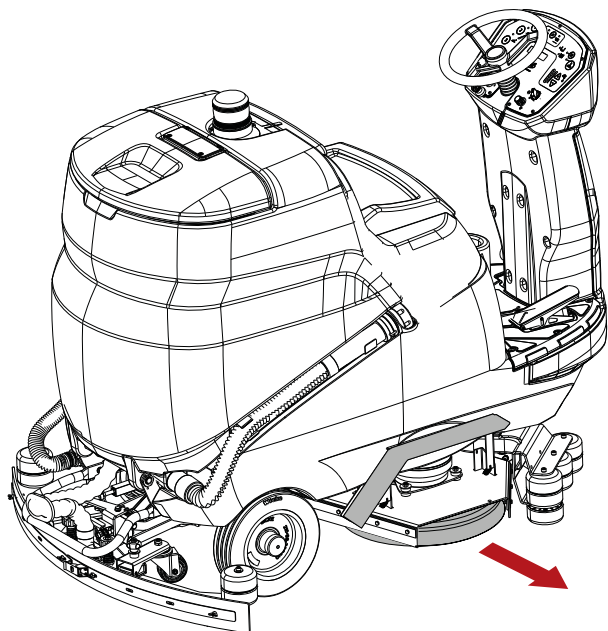
Décrochage des brosses/disques abrasifs

! ATTENTION : avant d'effectuer les opérations décrites ci-dessous, se placer sur une surface plane et enclencher le frein de stationnement.

- Mettre la machine en marche en tournant la clé de contact.
- Appuyer sur le bouton d'accrochage et de décrochage des brosses, la machine effectuera l'opération de décrochage.



- Relever les volets latéraux des deux côtés et extraire les brosses sous la tête.



Déplacement de la machine hors utilisation

Pour déplacer la machine effectuer les actions suivantes:

- Mettre la machine en marche en tournant la clé de contact.
- Appuyer sur la pédale d'accélérateur.
- Tourner le potentiomètre pour modifier la vitesse maximale de la machine.
- Pour arrêter la machine, relâcher la pédale d'accélérateur et appuyer sur la pédale de frein, consulter la section « **Frein de service et frein de stationnement** ».
- Tourner la clé de contact pour éteindre la machine.
- Enclencher le frein de stationnement, consulter la section « **Frein de service et frein de stationnement** ».

INSTRUCTIONS POUR L'ENTRETIEN



! DANGER : avant toute opération d'entretien débrancher impérativement l'alimentation. Les opérations concernant l'installation électrique et, dans tous les cas, toutes les opérations non décrites explicitement dans ce manuel, doivent être effectuées par du personnel technique qualifié de TENNANT, conformément aux normes de sécurité en vigueur et aux indications du manuel pour l'entretien.



! DANGER : avant de soulever/tourner le réservoir pour accéder au compartiment, il doit être vidé de son contenu.

Entretien - Règles générales

Un entretien régulier, conformément aux recommandations du constructeur, est garant d'un parfait fonctionnement de la machine et de sa longévité.

Lors du nettoyage de la machine il est recommandé de prendre les précautions suivantes:

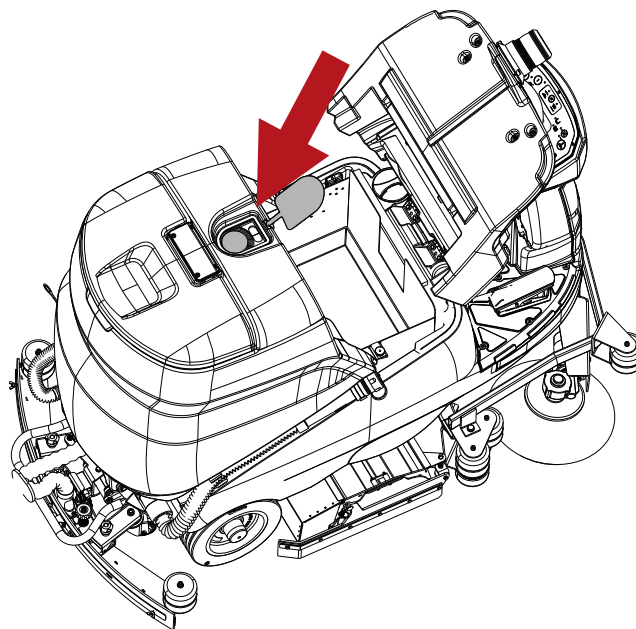
Ne pas utiliser de nettoyeurs haute pression: de l'eau pourrait entrer à l'intérieur du coffret électrique ou du coffre moteurs, et les endommager ou provoquer un court-circuit;
Ne pas utiliser de vapeur, la chaleur pouvant déformer les pièces en plastique;

Ne pas employer d'hydrocarbures ou de solvants: cela pourrait endommager les capots et les parties en caoutchouc.

Nettoyage du filtre à air aspirateur

! ATTENTION : avant d'effectuer les opérations décrites ci-dessous, se placer sur une surface plane, éteindre la machine, retirer la clé de contact et enclencher le frein de stationnement.

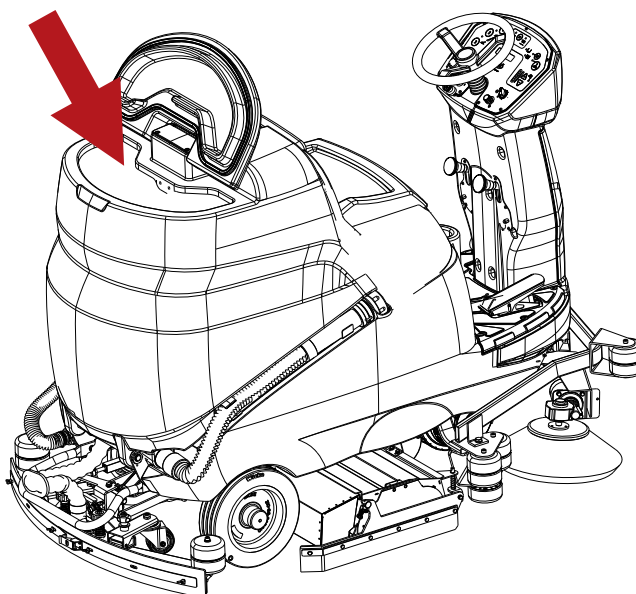
Tourner le support du siège, soulever le couvercle du filtre et extraire le filtre de son logement, le laver à l'eau courante ou avec le détergent utilisé sur la machine, puis remettre le filtre dans son logement après l'avoir séché.



Nettoyage du capteur du réservoir de récupération

! ATTENTION : avant d'effectuer les opérations décrites ci-dessous, se placer sur une surface plane, éteindre la machine, retirer la clé de contact et enclencher le frein de stationnement.

Tourner le couvercle du réservoir de récupération, puis effectuer le nettoyage.

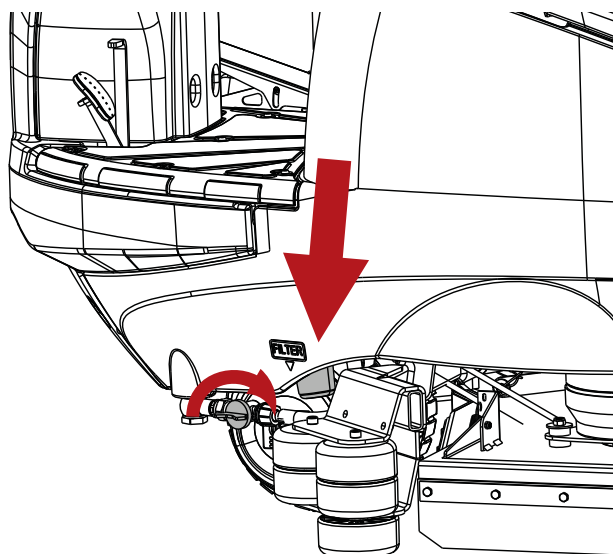


Nettoyage du filtre du réservoir de solution

! ATTENTION : avant d'effectuer les opérations décrites ci-dessous, se placer sur une surface plane, éteindre la machine, retirer la clé de contact et enclencher le frein de stationnement.

Pour le nettoyage du filtre, procéder comme suit :

- Fermer le robinet en amont du filtre.
- Dévisser le bouchon du filtre, sortir le filtre et le nettoyer à l'eau courante ou avec le détergent utilisé sur la machine.
- Remettre le filtre en position et vérifier qu'il est bien en place dans son logement; puis revisser le couvercle.



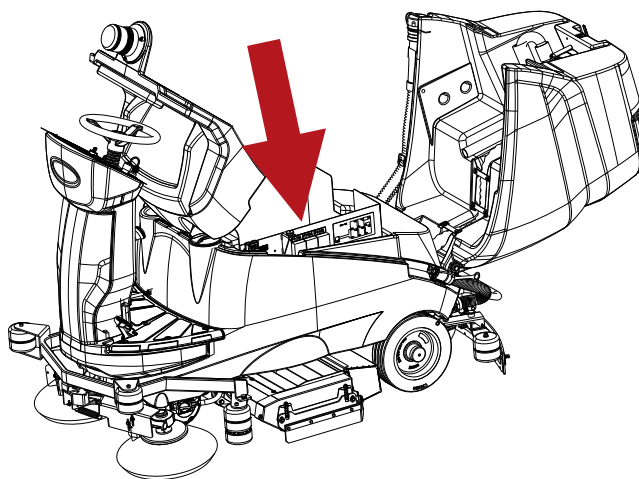
Fusibles

! ATTENTION : avant d'effectuer les opérations décrites ci-dessous, se placer sur une surface plane, éteindre la machine, retirer la clé de contact et enclencher le frein de stationnement.

! ATTENTION : ne jamais remplacer un fusible par un autre de plus fort ampérage.

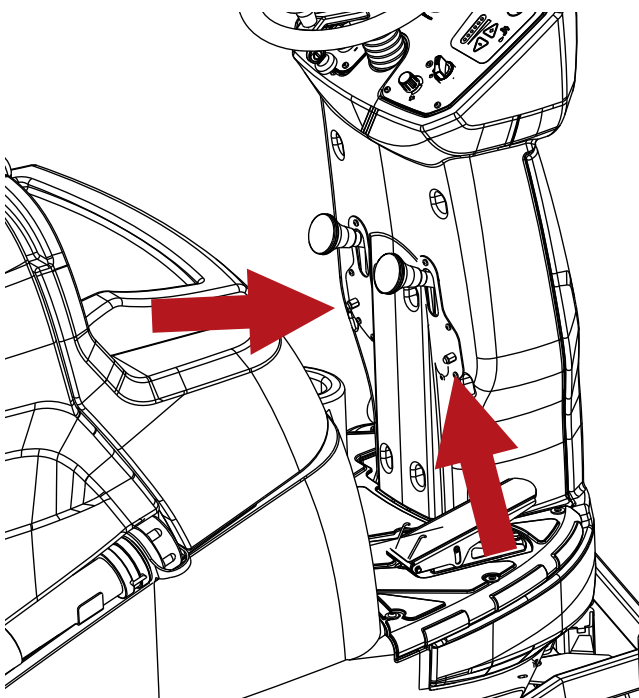
Les fusibles ne peuvent être remplacés que par un centre d'assistance TENNANT ou par du personnel technique qualifié de TENNANT.

Tourner le réservoir, débrancher le connecteur du câblage des batteries du circuit électrique ou débrancher la fiche d'alimentation, ouvrir le couvercle pour accéder aux fusibles.



! INFORMATION

Un fusible réarmable est installé au-dessous de chaque levier d'actionnement de brosse latérale. Si une brosse latérale cesse de fonctionner, appuyer sur le bouton pour réarmer le fusible.



Entretien des batteries



! DANGER : ne pas contrôler les batteries avec des outils générant des étincelles. Les batteries (WET) dégagent des vapeurs inflammables: éteindre tout feu ou braise avant de vérifier les batteries ou d'ajouter du liquide.

! DANGER : pendant la maintenance des batteries, l'opérateur doit être muni des équipements de protection nécessaires (gants, lunettes, combinaison, etc.) pour limiter le risque d'accidents, s'éloigner de toute flamme nue, ne pas court-circuiter les pôles des batteries, ne pas provoquer d'étincelles, ni fumer.

! DANGER : en cas de fuite de liquide de batterie, ne pas toucher le liquide et respecter les précautions suivantes :
Le contact avec la peau peut causer des irritations, laver à l'eau et au savon.
L'inhalation peut causer une irritation des voies respiratoires, sortir à l'air frais et consulter un médecin.
Le contact avec les yeux peut provoquer une irritation, laver immédiatement et soigneusement les yeux à l'eau pendant au moins 15 minutes. Consulter un médecin.

La durée utile des batteries dépend de leur entretien correct. Pour obtenir un meilleur rendement des batterie, prendre les mesures suivantes :

- Ne pas laisser les batteries partiellement déchargées pendant une longue période.
- Laisser charger complètement les batteries avant de réutiliser la machine.
- Maintenir les batteries propres et avec les raccordements bien serrés.
- Contrôler chaque semaine les niveaux de l'électrolyte (batteries WET).

Contrôle du niveau de l'électrolyte des batteries WET

Les batteries WET nécessitent un contrôle périodique du niveau de l'électrolyte. Faire l'appoint uniquement avec de l'eau distillée jusqu'à recouvrir les plaques, ne pas trop remplir (maximum 5 mm / 0.19 in au-dessus des plaques), car l'électrolyte augmente de volume et pourrait déborder durant la recharge.

Recharge des batteries

! DANGER : ne pas contrôler les batteries avec des outils générant des étincelles. Les batteries (WET) dégagent des vapeurs inflammables: éteindre tout feu ou braise avant de vérifier les batteries ou d'ajouter du liquide.

! DANGER : effectuer les opérations suivantes dans des lieux aérés.

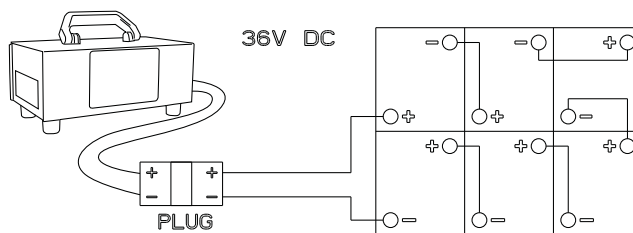
! DANGER : la recharge des batteries produit du gaz hydrogène hautement explosif. Soulever le réservoir pendant tout le cycle de recharge de la batterie et effectuer la procédure uniquement dans des zones bien ventilées, loin des flammes nues.

! ATTENTION : avant d'effectuer les opérations décrites ci-dessous, se placer sur une surface plane, éteindre la machine, retirer la clé de contact et enclencher le frein de stationnement.

! ATTENTION : avant d'effectuer la recharge, s'assurer que le chargeur de batterie est réglé sur le type de batteries installé.

! ATTENTION : effectuer la recharge selon les indications du manuel du chargeur de batterie, à la fin de la recharge débrancher les connecteurs.

- Débrancher le connecteur du bloc batterie du circuit électrique de la machine.
- Brancher le connecteur du bloc batterie au connecteur du chargeur de batterie.
- Brancher la fiche du chargeur de batterie à la prise de courant
- Commencer le cycle de recharge.



Batterie : retrait

- ! DANGER :** en cas de fuite de liquide de batterie, ne pas toucher le liquide et respecter les précautions suivantes :
Le contact avec la peau peut causer des irritations, laver à l'eau et au savon.
L'inhalation peut causer une irritation des voies respiratoires, sortir à l'air frais et consulter un médecin.
Le contact avec les yeux peut provoquer une irritation, laver immédiatement et soigneusement les yeux à l'eau pendant au moins 15 minutes. Consulter un médecin.

- ! DANGER :** lors de la dépose de la batterie, le personnel qualifié doit être muni des équipements de protection personnelle (gants, lunettes, combinaison, chaussures de sécurité, etc.) nécessaires pour limiter les risques d'accident ; retirer la clé de contact du tableau de bord avant d'effectuer la dépose, s'éloigner de toute flamme nue, ne pas court-circuiter les pôles des batteries, ne pas provoquer d'étincelles, ne pas fumer.

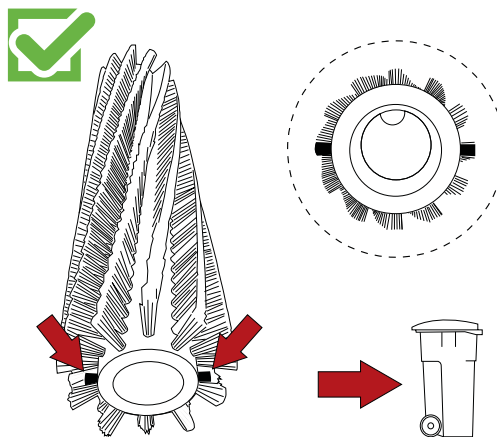
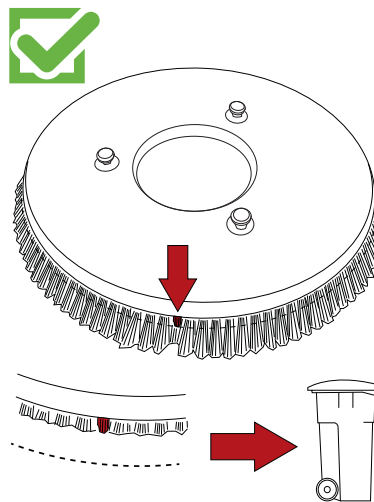
! ATTENTION : l'opération de retrait des batteries doit être réalisée par du personnel qualifié.

! ATTENTION : avant d'effectuer les opérations décrites ci-dessous, se placer sur une surface plane, éteindre la machine, retirer la clé de contact et enclencher le frein de stationnement.

- Débrancher les cosses du câblage batterie des pôles des batteries.
- Retirer, si nécessaire, les dispositifs d'ancrage de la batterie à la machine.
- Sortir la batterie du coffret à l'aide de moyens de manutention adaptés.

Remplacement des brosses et des tampons

La machine peut être équipée de brosses à disque, à rouleau et de tampons. Contrôler les brosses et les tampons tous les jours pour vérifier l'absence de fils ou ficelles enroulés dans la brosse ou le disque entraîneur. Contrôler l'état d'usure des brosses et des tampons. Remplacer les brosses lorsque les brins sont usés au point d'atteindre l'indicateur de couleur rouge ou noire. Remplacer les tampons lorsqu'ils ne nettoient plus efficacement. Après l'utilisation, laver les brosses et les tampons à l'eau et au savon, les suspendre pour les faire sécher.

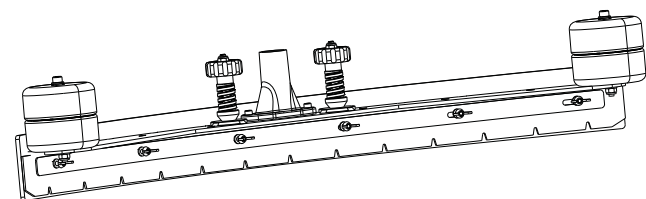
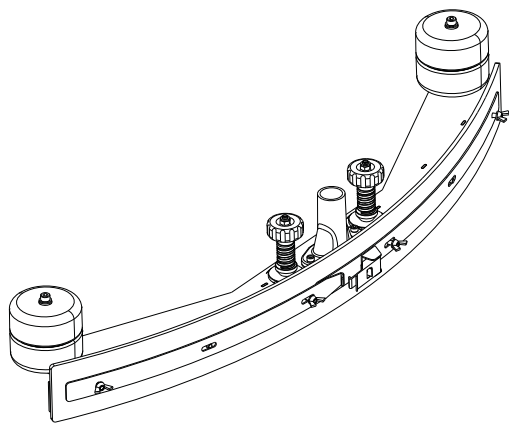


Remplacement lames suceur

! ATTENTION : avant d'effectuer les opérations décrites ci-dessous, se placer sur une surface plane, éteindre la machine, retirer la clé de contact et enclencher le frein de stationnement.

Les lames du suceur détachent le film d'eau et de détergent pour permettre un séchage parfait. A la longue, le frottement continu arrondit et abîme la partie en contact avec le sol, le séchage est moins efficace et la lame doit être remplacée.

- Sortir le tuyau d'aspiration du suceur.
- Retirer le suceur de son support en dévissant complètement les deux molettes.
- Déclipser la fixation et dévisser les écrous pour la lame arrière, pour la lame avant dévisser les écrous.
- Extraire les serre-lames.
- Retirer la lame.
- Remonter la même lame en inversant l'arête en contact avec le sol jusqu'à consommer les quatre arêtes pour la lame arrière, tandis que pour la lame avant inverser l'arête en contact avec le sol jusqu'à consommer les deux arêtes, ou installer une nouvelle lame en l'encastant dans les vis du corps du suceur.
- Remettre ne place les serre-lames.
- Reclipser la fixation et visser les écrous pour la lame arrière, pour la lame avant visser les écrous.
- Remonter le suceur sur son support.

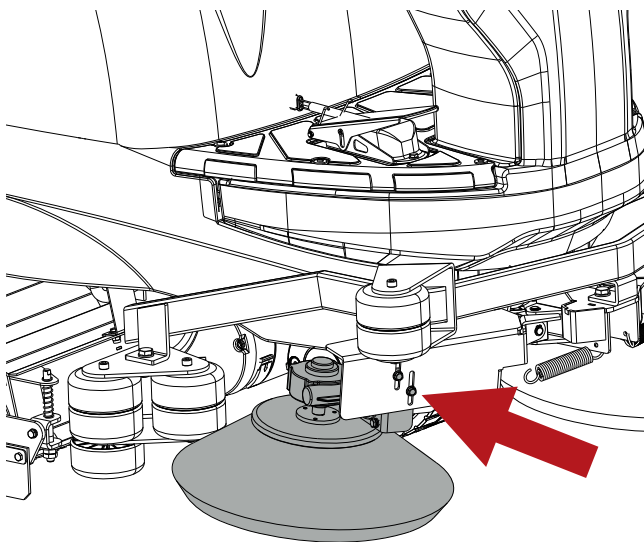


Réglage de l'usure des brosses latérales (tête à rouleaux)

! ATTENTION : avant d'effectuer les opérations décrites ci-dessous, se placer sur une surface plane, éteindre la machine, retirer la clé de contact et enclencher le frein de stationnement.

Si les brosses latérales (abaissées) ne touchent plus le sol à cause de l'usure, il est possible de les régler comme suit :

- Mettre la brosse latérale en position de travail.
- Desserrer les vis de réglage sur le support moteur brosse.
- Régler manuellement la brosse dans la position désirée.
- Serrer les vis de réglage.



Levage de la machine

! ATTENTION : avant d'effectuer les opérations décrites ci-dessous, se placer sur une surface plane, éteindre la machine, retirer la clé de contact et enclencher le frein de stationnement.



! DANGER: pour le levage de la machine utiliser un équipement pouvant supporter le poids de la machine.



! DANGER: soulever la machine uniquement aux points indiqués ci-après.



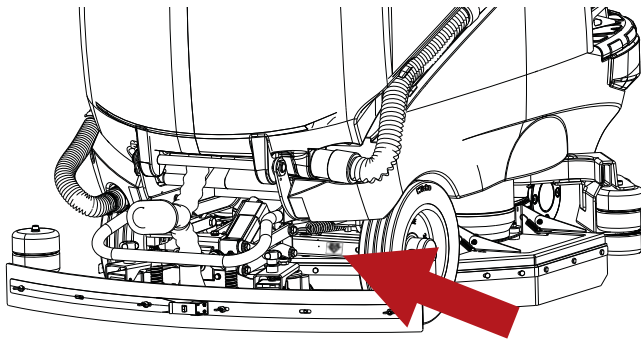
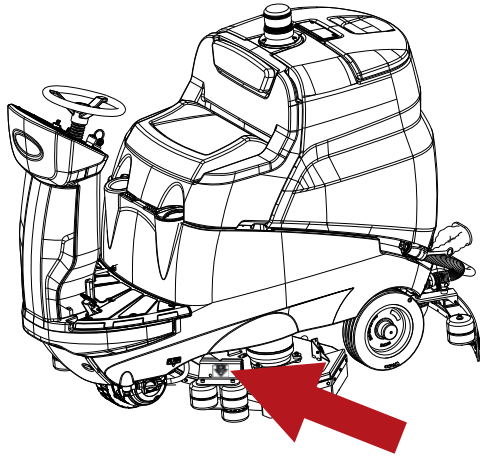
! DANGER: vider le réservoir de récupération et de solution avant de soulever la machine.



! DANGER: retirer les batteries avant de soulever la machine.

! INFORMATION

Les points de levage avant et arrière se trouvent des deux côtés de la machine.



Contrôles périodiques

CONTRÔLE	OPÉRATIONS JOURNALIÈRES	OPÉRATIONS HEBDOMADAIRES	OPÉRATIONS SEMESTRIELLES
VIDER LE RÉSERVOIR DE RÉCUPÉRATION ET LE LAVER	X		
NETTOYER LES LAMES DU SUCEUR ET VÉRIFIER QU'ELLES NE SONT PAS USÉES	X		
VÉRIFIER QUE L'ORIFICE D'ASPIRATION DU SUCEUR N'EST PAS OBSTRUÉ	X		
RECHARGER LES BATTERIES	X		
NETTOYER LE FLOTTEUR DU RÉSERVOIR DE RÉCUPÉRATION		X	

NETTOYER LE FILTRE À AIR DE L'ASPIRATEUR		X	
NETTOYAGE DU FILTRE DU RÉSERVOIR DE SOLUTION		X	
NETTOYER LE TUYAU DU SUCEUR		X	
NETTOYER LE RÉSERVOIR DE RÉCUPÉRATION ET LE RÉSERVOIR DE SOLUTION DÉTERGENTE		X	
CONTRÔLER LE NIVEAU DE L'ÉLECTROLYTE DES BATTERIES		X	
FAIRE CONTRÔLER L'ÉQUIPEMENT ÉLECTRIQUE PAR DU PERSONNEL QUALIFIÉ DE TENNANT			X

PÉRIODES D'INACTIVITÉ

Quand la machine n'est pas utilisée pendant plus d'un mois, par exemple lorsqu'elle est exposée dans un salon ou stockée en entrepôt, suivre les points ci-dessous :

- Recharger complètement les batteries. Si la machine n'est pas utilisée pendant une longue période, recharger la batterie régulièrement (au moins tous les deux mois) pour maintenir sa capacité maximale.
- Débrancher les batteries de la machine.
- Débrancher éventuellement le chargeur de batterie de l'alimentation électrique.
- Le suceur et les brosses (ou les disques abrasifs) doivent être démontés, lavés et rangés dans un endroit sec (de préférence emballés dans un sac ou une feuille de plastique) à l'abri de la poussière.
- S'assurer que les réservoirs sont complètement vides et parfaitement propres.

! ATTENTION : si on ne recharge pas les batteries régulièrement comme indiqué précédemment elles risquent d'être irrémédiablement endommagées. Le constructeur n'est pas responsable des mauvais fonctionnements dus à un manque d'entretien, à une utilisation incorrecte et/ou non conforme.

! ATTENTION : lorsque les batteries sont déchargées, ne pas prolonger cette condition afin d'éviter de réduire leur durée de vie. Contrôler la charge des batteries au moins une fois par semaine.

PROBLÈMES, CAUSES ET REMÈDES

PROBLÈMES	CAUSES	REMÈDES
La machine ne marche pas	Les batteries sont débranchées	Brancher les batteries sur la machine
	Les batteries sont déchargées	Recharger les batteries
	Intervention fusible.	Réarmer le fusible
	Clé de contact pas actionnée	Tourner
	Bouton d'arrêt d'urgence pressé	Débloquer le bouton d'urgence
Les brosses de la tête ne tournent pas	Le réservoir de récupération est plein	Vider le réservoir de récupération
	Intervention fusible.	Réarmer le fusible
	Les batteries sont déchargées	Recharger les batteries
	Moteur endommagé	Remplacer
Les brosses latérales de la tête à rouleaux ne tournent pas	Intervention fusible.	Réarmer le fusible
	Moteur endommagé	Remplacer
La machine ne lave pas uniformément	Les brosses ou les disques abrasifs sont usés	Remplacer
La solution de s'écoule pas du réservoir de détergent	Électrovanne endommagée	Remplacer
	Électrovanne sale	Contrôler
	Le réservoir de solution est vide	Faire le plein
	Le tuyau qui amène la solution jusqu'à la brosse est bouché	Éliminer l'obstruction
	Le robinet en amont du filtre est fermé	Ouvrir le robinet
	Intervention fusible.	Réarmer le fusible
La solution coule sans arrêt	Électrovanne endommagée	Remplacer
	Électrovanne sale	Nettoyer
Le moteur d'aspiration ne fonctionne pas	Le réservoir de récupération est plein	Vider le réservoir de récupération
	Intervention fusible.	Réarmer le fusible
	Les batteries sont déchargées	Recharger les batteries
	Moteur endommagé	Remplacer
Le suceur ne nettoie pas ou n'aspire pas	La lame en caoutchouc est abîmée	Remplacer les lames
	Le suceur est bouché ou endommagé	Contrôler
	Le capteur du réservoir de récupération s'est déclenché ou il est encrassé ou défectueux	Vider le réservoir de récupération, contrôler le capteur.
	Obstruction dans le tuyau d'aspiration;	Contrôler
	Le tuyau d'aspiration n'est pas raccordé au suceur ou il est endommagé	Contrôler
La machine n'avance pas	Les batteries sont déchargées	Recharger les batteries
	Moteur endommagé	Remplacer
	Pédale de l'accélérateur enfoncée trop rapidement	Au démarrage, appuyer lentement sur la pédale de l'accélérateur
Les batteries n'assurent pas l'autonomie normale	Les pôles et les bornes des batteries sont sales ou oxydés	Nettoyer et graisser les bornes de la batterie, recharger les batteries
	L'électrolyte s'est évaporé et ne couvre pas complètement les plaques	Ajouter de l'eau distillée dans chaque élément jusqu'à recouvrir les plaques et recharger la batterie.
	Le chargeur de batterie ne marche pas ou n'est pas adapté	Contrôler

ALARMES/AVIS SUR L'ÉCRAN

CODE D'ERREUR	CAUSE	REMÈDE
TEMPÉR. BROSSES	La machine a travaillé trop longtemps avec une pression des brosses trop forte.	Attendre 30 minutes que la température baisse.
	Le programme utilisé est trop intensif pour le type de sol.	Passer de 3 à 2 ou 1.
	Électronique endommagée	Remplacer la carte de puissance.
RESERVE BATTERIE	Tension de la batterie faible	Recharger la batterie.
BATTERIE DÉCHARGÉE	Tension de la batterie faible	Recharger la batterie.
BATTERIE USÉE	Tension de la batterie faible	Contrôler le niveau d'acide de la batterie et la recharger
FREIN DE STATIONNEMENT	Le frein de stationnement est enclenché.	Débrayer le frein de stationnement.
	Le microinterrupteur de la pédale de frein n'est pas fixé correctement.	Régler la position du microinterrupteur.
	Le microinterrupteur de la pédale de frein ne fonctionne pas correctement..	Remplacer le microinterrupteur.
NIV. EAU SALE	Le capteur de niveau d'eau s'est déclenché.	Vider le réservoir récupération.
	Le capteur de niveau est bloqué.	Contrôler le capteur.
RÉSERVE EAU	Le capteur de niveau d'eau s'est déclenché.	Remplir le réservoir solution.
	Le capteur de niveau est bloqué.	Contrôler le capteur.
MANQUE EAU	Le capteur de niveau d'eau s'est déclenché.	Remplir le réservoir solution.
	Le capteur de niveau est bloqué.	Contrôler le capteur.

ALARMES CARTE ACTIONNEMENT ROUE MOTRICE

La carte d'actionnement de la roue motrice se trouve à l'intérieur du montant avant. Si la traction de la machine est interrompue il faut rechercher le code d'erreur à travers la LED d'état. Pendant le fonctionnement, s'il n'y a pas de pannes, la LED est constamment allumée.

☼○○○○○☼○○○○○☼○○○○○☼

exemple ALARME A1

☼○☼○○○○○☼○☼○○○○○☼○☼○○○○○☼○☼

exemple ALARME A2

☼○☼○☼○☼○☼○☼○☼○☼○☼○☼○☼○☼○☼○☼○☼○○○○○☼

exemple ALARME A13

☼○☼○☼○☼○☼○☼○☼○☼○☼○☼○☼○☼○☼○☼○☼○○○○○☼

exemple ALARME A14

CODE D'ERREUR	CAUSE	REMÈDE
ALARME A1	Interrupteur marche avant fermé au démarrage	C o n t a c t e r l'assistance clients
ALARME A2	Interrupteur marche arrière fermé au démarrage	
ALARME A3	Défaut potentiomètre	
ALARME A4	Potentiomètre hors de la position de zéro au démarrage	
ALARME A5	Protection thermique	
ALARME A6	Défaut carte traction	
ALARME A7	Surintensité (défaut moteur)	
ALARME A8	Fusible ou contacts de puissance endommagés (défaut carte traction)	
ALARME A9	Sous-tension	
ALARME A10	Surtension	
ALARME A11	Surcharge	
ALARME A12	Microrupteur désactivation actif (défaut entrée)	
ALARME A13	Séquence d'extinction clé active (défaut entrée)	
ALARME A14	Alarmer mémoire interne (défaut carte traction)	

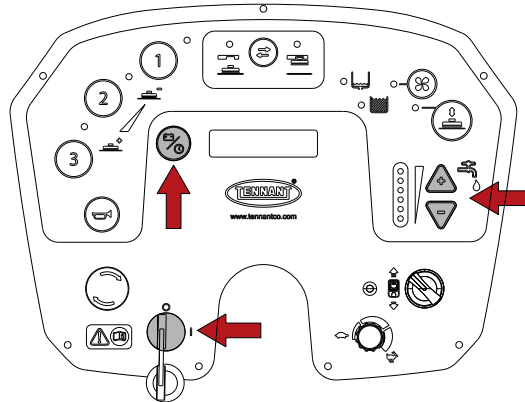
MENU UTILISATEUR

Pour entrer dans le programme utilisateur, placer la clé de contact sur « 1 », au bout de 5 secondes appuyer sur le bouton de programmation pendant 10 secondes, l'écran affichera le premier paramètre. Pour passer d'un paramètre à l'autre, utiliser le bouton de programmation.

Pour modifier le paramètre sélectionné, appuyer sur le boutons « + » ou « - », « - » pour diminuer, « + » pour augmenter la valeur.

Pour mémoriser les modifications et quitter, tenir enfoncé le bouton de programmation jusqu'à ce que l'écran affiche la tension des batteries.

Tourner sur « 0 » la clé de contact n'efface pas les modifications effectuées. Pour éliminer les modifications, régler les valeurs par défaut indiquées ci-dessous et mémoriser les données.



	VALEURS PAR DÉFAUT	
	Version tête à disque	Version tête à rouleaux
Réglage de la lange.	FRANÇAIS	FRANÇAIS
Programme pression de travail tête.	Programme 1 Pression 020	Programme 1 Pression 020
Programmation activation brosses.	Programme 1 Brosses ON	Programme 1 Brosses ON
Programmation activation aspirateur.	Programme 1 Aspirateur ON	Programme 1 Aspirateur ON
Programme débit eau.	Programme 1 Eau 2	Programme 1 Eau 2
Programme activation Power OFF-ON.	Programme 1 Auto Power OFF-ON	Programme 1 Auto Power OFF-ON
Programme pression de travail tête.	Programme 2 Pression 040	Programme 2 Pression 030
Programmation activation brosses.	Programme 2 Brosses ON	Programme 2 Brosses ON
Programmation activation aspirateur.	Programme 2 Aspirateur ON	Programme 2 Aspirateur ON
Programme débit eau.	Programme 2 Eau 3	Programme 2 Eau 3
Programme activation Power OFF-ON.	Programme 2 Auto Power OFF-ON	Programme 2 Auto Power OFF-ON
Programme pression de travail tête.	Programme 3 Pression 060	Programme 3 Pression 040
Programmation activation brosses.	Programme 3 Brosses ON	Programme 3 Brosses ON
Programmation activation aspirateur.	Programme 3 Aspirateur ON	Programme 3 Aspirateur ON
Programme débit eau.	Programme 3 Eau AUTO	Programme 3 Eau 3
Programme activation Power OFF-ON.	Programme 3 Auto Power OFF-ON	Programme 3 Auto Power OFF-ON
Débit détergent.	Débit détergent 2%	Débit détergent 2%

PIÈCES DE RECHANGE CONSEILLÉES

T981 75cm rouleaux	
Référence	Description
SPPV01286	BROSSE SOUPLE, PPL, 75 CM [STD]
SPPV00457	BROSSE MOYENNE, PPL, 75 CM
SPPV01364	BROSSE SOUPLE, MIX 5, 75 CM
SPPV01201	BROSSE DURE, 75 CM (TYNEX)
SPPV75790	BROSSE LATÉRALE, PPL, MOYENNE [STD]
SPPV75794	BROSSE LATÉRALE DURE
MPVR06551	LAME, SUCEUR, AVANT, LINATEX, [STD]
MPVR06552	LAME, SUCEUR, ARRIÈRE, LINATEX [STD]
MPVR02830	LAME, SUCEUR, AVANT, CAOUTCHOUC NATUREL
MPVR05883	LAME, SUCEUR, ARRIÈRE, LATEX
MPVR13250	LAME, SUCEUR, ARRIÈRE, POLYURÉTHANE
MPVR02832	LAME, SUCEUR, ARRIÈRE, POLYURÉTHANE
PMVR06915	SUCEUR ASSEMBLÉ, LAMES EN LINATEX, 75/85
MPVR02846	VOLET LATÉRAL GAUCHE
MPVR02845	VOLET LATÉRAL DROIT
GUVR75740	ANNEAU POUR JOINT
MPVR04720	ROULEAU LIBRE
MOCC00166	MOTEUR BROSSE
MTCG87404	COURROIE
CUVR29964	ROULEMENT À BILLES 6000,2RS1
CUVR00164	ROULEMENT 6002RS -SKF
T981 90 cm Disque	
Référence	Description
SPPV01539	BROSSE, PPL, 48 CM [STD]
SPPV01540	BROSSE DURE, 48 CM (TYNEX 120)
SPPV01541	BROSSE DURE, 48 CM (TYNEX 240)
SPPV01542	BROSSE DURE, 48 CM (TYNEX 320)
SPPV01543	BROSSE SOUPLE, MIX 5, 48 CM
SPPV01221	ENTRAÎNEUR TAMPON, 48 CM
1240392	PAD, POLISH, 18.0D, YEL [5PC]
1243335	PAD, SCB, 18.0D, BLEU 5PC]
1243336	PAD, BUFF, 18.0D, ROUGE [5PC]
1243337	PAD, POLISH, 18.0D, WHITE [5PC]
1243660	PAD, STRIP, 18.0D BLK [5PC]
1243724	PAD, STRIPPING, 18.0D, MARRON [5PC]
MPVR06553	LAME, SUCEUR, AVANT, LINATEX, [STD]
MPVR06554	LAME, SUCEUR, ARRIÈRE, LINATEX [STD]
MPVR02850	LAME, SUCEUR, AVANT, CAOUTCHOUC NATUREL
MPVR05884	LAME, SUCEUR, ARRIÈRE, LATEX
MPVR13251	LAME, SUCEUR, ARRIÈRE, POLYURÉTHANE
MPVR51009	LAME, SUCEUR, ARRIÈRE, POLYURÉTHANE
PMVR06916	SUCEUR ASSEMBLÉ, LAMES EN LINATEX, 90 cm
MPVR51006	VOLET LATÉRAL GAUCHE TÊTE
MPVR51007	VOLET LATÉRAL DROIT TÊTE
MPVR51005	VOLET ARRIÈRE TÊTE
MOCC00390	MOTORÉDUCTEUR BROSSE DROIT
MOCC00474	MOTORÉDUCTEUR BROSSE GAUCHE
RDGR00039	RÉDUCTEUR, MOTEUR BROSSE

MEVR05203	CHARBON MOTEUR BROSSE
897524	ROULEMENT À BILLES, 8B 30D 11W
T981 pièces communes	
Référence	Description
1070587	BATTERIE, WET, 06VDC 0360AH
1262287	BATTERIE, AGM, 06VDC 350AH
1043662	CHARGEUR DE BATTERIE, 36VDC 21A 85-265VAC 1PH 45/65HZ
1017079	CORD, CHARGEUR DE BATTERIE, EXTN, 16GA/3, 10FT [SJT]
MEVR00985	KIT CHARBONS MOTEUR TRACTION
MEVR05202	CHARBONS ASPIRATEUR
FTDP00130	FILTRE
GUGO31051	JOINT ASPIRATEUR
KTRIO4700	TUYAU DU SUCEUR
GUGO00306	JOINT BOUCHON
FTAC00038	FILTRE COMPLET RÉSERVOIR SOLUTION
FTAC00047	FILTRE RÉSERVOIR SOLUTION
9017783	MOTEUR ASPIRATEUR 36V
9017737	CAPTEUR DE NIVEAU
TBBP00485	TUYAU DE VIDANGE RÉSERVOIR RÉCUPÉRATION
MECB01227	POTENTIOMÈTRE TRACTION
MECB01228	CÂBLAGE MICRO PÉDALE ACCÉLÉRATEUR
MEEV00043	ÉLECTROVANNE
RTRT00518	ROUE PIVOTANTE
PMVR01141	TUYAU SORTIE AIR
PMVR01139	TUYAU DE VIDANGE DU RÉSERVOIR SOLUTION
MOCC00394	ACTIONNEUR
KTRIO2060	ACTIONNEUR TÊTE BROSSES
MOCC00380	ROUE MOTRICE 36V
RTRT00795	ROUE POLYURÉTHANE
PEEL00025	POMPE, 36V
MECE00526	CARTE PUISSANCE SERVICES
KTRIO6405	KIT TABLEAU DE BORD COMPLET
KTRIO6415	KIT, CARTE ÉCRAN
KTRIO6416	KIT, CARTE, LOGIQUE
KTRIO6417	KIT, CARTE, INTERFACE
KTRIO5576	POTENTIOMÈTRE, VITESSE 100K
METT00086	CONTACTEUR, 100 A
RTRT00533	ANNEAU CAOUTCHOUC RECHANGE ROUE MOTRICE
CUVR00194	ROULEMENT, 61926, 2RS
CUVR00264	ROULEMENT 32007X
GUGO00703	JOINT COUVERCLE RÉSERVOIR RÉCUPÉRATION
METT00135	FUSIBLE, 2A
METT00132	FUSIBLE, 30A
METT00136	FUSIBLE, 3A
METT00137	FUSIBLE, 4A
METT00138	FUSIBLE, 50A
MEVR01925	FUSIBLE, 150A
897357	CÂBLE DE BATTERIE
MECE00927	CARTE ÉLECTRONIQUE ACTIONNEMENT TRACTION

Tennant Company

10400 Clean Street

Eden Prairie, MN 55344-2650

Phone: (800) 553- 8033

www.tennantco.com