



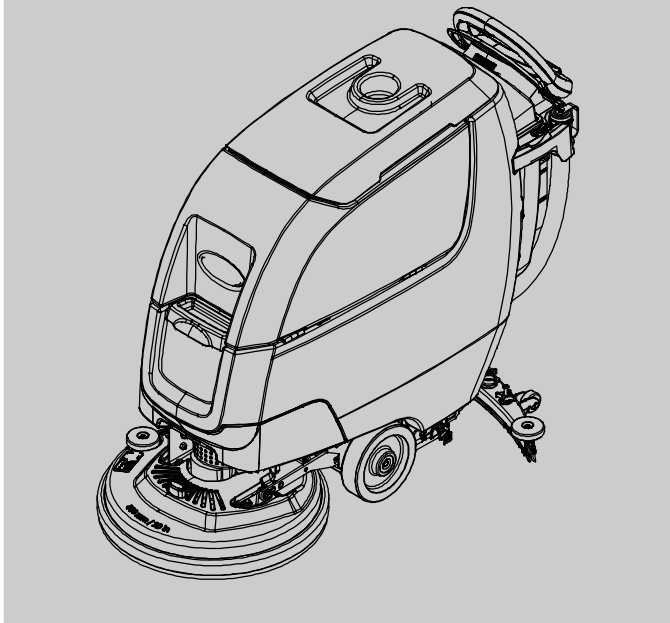
T300

Walk-behind Floor Scrubber

Parts Manual



(S/N 10000000-20000000)



Hygenic[®] Fully Cleanable Recovery Tank
TennantTrue[®] Parts
IRIS[®] a Tennant Technology



North America / International

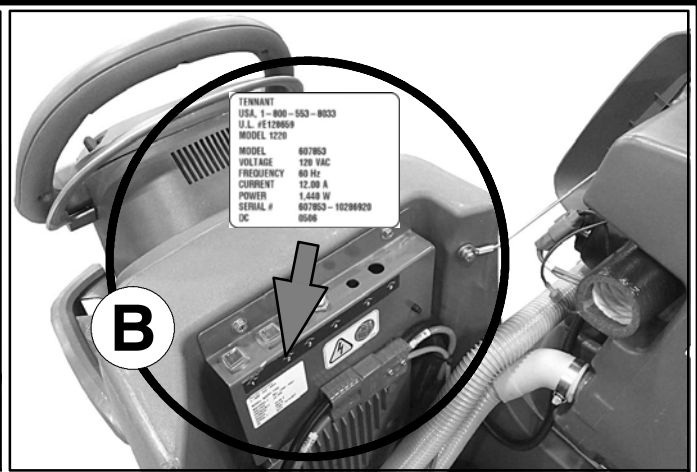


For the latest Parts manuals and other language Operator manuals, visit:

www.tennantco.com/manual

9014500
Rev. 13 (07-2024)





Ref	Part No.	Serial Number	Description	Qty.
1	82681	(000000-)	Bracket Wldt, Lpg Mount	1
∇ 2	63810	(000000-)	Latch Assy, Lpg Tank Mtg, W/Nut	4
▲ 3	51839	(000000-)	Nut Adjustable, Lpg Tank Mtg	2
4	49263	(000000-)	Tie, Cable	3
(D)	82556	(000000- 001039)	Bracket, Vaporizer	1
	54930	(000000-)	Vaporizer, LPG	1

HOW TO ORDER PARTS - See diagram above

Only use TENNANT Company supplied or equivalent parts. Parts and supplies may be ordered online, by phone, by fax or by mail.

Follow the steps below to ensure prompt delivery.

1. (A) Identify the machine model.
2. (B) Identify the machine serial number from the data label.
3. (C) Ensure the proper serial number is used from the parts list.
4. Identify the part number and quantity. Do not order by page or reference numbers.
5. Provide your name, company name, customer ID number, billing and shipping address, phone number and purchase order number.
6. Provide detail shipping instructions.

- (D) ∇ - identifies an assembly
 ▲ - identifies parts included in assembly

Please fill out at time of installation for future reference.

Model No. - _____

Serial No. - _____

Machine Options - _____

Sales Rep. - _____

Sales Rep. phone no. - _____

Customer ID Number - _____

Installation Date - _____

Tennant Company
 10400 Clean Street
 Eden Prairie, MN 55344-2650
 USA
 Phone: (800) 553-8033
 www.tennantco.com

TENNANT Cleaning Systems & Equipment (Shanghai) Co., Ltd
 Room 608, Building 5, Lane 928
 Shenhong Road Shanghai, 201106
 People's Republic of China
 Phone: 86 21 6700 8000
 www.tennant.co.cn

Tennant Company Japan
 9F Industry & Trade Center
 Yokohama, Kanagawa 231-0023
 Japan
 Telephone: 81-45-640-5630
 Fax: 81-45-640-5604
 www.tennant.co.jp.com

Specifications and parts are subject to change without notice.

Copyright © 2015 - 2024 TENNANT Company, Printed in U.S.A.

ES	<p>CÓMO SOLICITAR PIEZAS - Consulte el diagrama anterior.</p> <p>Utilice sólo las piezas suministradas por TENNANT Company o piezas equivalentes. Puede solicitar las piezas a través de internet, por teléfono, por fax o por correo.</p> <p>Siga los siguientes pasos para que la entrega sea rápida.</p> <ol style="list-style-type: none"> 1. (A) Indique el modelo de máquina. 2. (B) Indique el número de serie de la etiqueta de datos. 3. (C) Asegúrese de que indica el número de serie correcto de la lista de piezas. 4. Indique la cantidad y el número de la pieza. No realice el pedido indicando el número de página o el de referencia. 5. Incluya su nombre, el nombre de la empresa, el ID de cliente, las direcciones de envío y facturación, el número de teléfono y el número del pedido de compra. 6. Facilite instrucciones de envío. <hr/> <p>(D) ▽ - identifica un conjunto ▲ - identifica piezas de un conjunto</p>	<p>Rellene estos datos cuando realice la instalación para utilizarlos como referencia en el futuro.</p> <p>Nº modelo - _____</p> <p>Nº serie - _____</p> <p>Opciones de la máquina - _____</p> <p>Vendedor - _____</p> <p>Nº teléfono vendedor - _____</p> <p>Nº cliente - _____</p> <p>Fecha de instalación - _____</p>
-----------	--	---

FR	<p>COMMENT COMMANDER DES PIÈCES DÉTACHÉES - Voir le schéma ci-dessus.</p> <p>Utilisez uniquement des pièces fournies par la société TENNANT ou équivalentes. Les pièces et fournitures peuvent être commandées en ligne, par téléphone, fax, ou par courrier.</p> <p>Suivez les étapes ci-dessous pour assurer une livraison rapide.</p> <ol style="list-style-type: none"> 1. (A) Identifiez le modèle de la machine. 2. (B) Identifiez le numéro de série de la machine, à partir de l'étiquette signalétique. 3. (C) Assurez-vous que le numéro de série correct est utilisé à partir de la liste de pièces détachées. 4. Identifiez le numéro de pièce et la quantité. Ne commandez pas par page ou numéros de référence. 5. Fournissez votre nom, le nom de votre société, votre numéro d'identification de client, l'adresse de facturation et d'expédition, le numéro de téléphone et le numéro du bon de commande. 6. Fournissez des instructions d'expédition détaillées. <hr/> <p>(D) ▽ - identifie un assemblage ▲ - identifie les pièces composant l'assemblage</p>	<p>A remplir au moment de l'installation à titre de référence.</p> <p>Nº du modèle - _____</p> <p>Nº de série - _____</p> <p>Options de la machine - _____</p> <p>Agent commercial - _____</p> <p>Nº tél. de l'agent commercial - _____</p> <p>Numéro d'identification client - _____</p> <p>Date d'installation - _____</p>
-----------	--	---

CN	<p>如何订购部件 - 参见下表</p> <p>仅使用 TENNANT 公司提供的或同等部件。部件和供应可以在线订购，通过电话、传真或邮件订购。</p> <p>请遵循下面的步骤确保及时交付。</p> <ol style="list-style-type: none"> 1. (A) 确定机器型号。 2. (B) 从数据标签确定机器序列号。 3. (C) 确保使用部件列表中的正确序列号。 4. 确定部件号和数量。 不要按页面或参考编号订购。 5. 提供您的姓名、公司名称、客户 ID 号、付帐和送货地址、电话号码和采购单编号。 6. 提供详细的送货说明。 <hr/> <p>(D) ▽ - 确定组件 ▲ - 确定组件中包含的组件</p>	<p>请在安装时填写供未来参考。</p> <p>型号 - _____</p> <p>序列号 - _____</p> <p>机器选项 - _____</p> <p>销售代表 - _____</p> <p>销售代表电话号码 - _____</p> <p>客户 ID 编号 - _____</p> <p>安装日期 - _____</p>
-----------	--	--

JP	<p>パーツの発注方法 ? 上記の図を参照してください</p> <p>TENNANT社製のパーツまたは同等品のみをお使いください。パーツやサプライ品のご注文は、オンライン、電話、FAX、または手紙でお願いいたします。</p> <p>確実にお届けできるように、以下の情報お知らせください。</p> <ol style="list-style-type: none"> 1. (A) 製品のモデル名をお知らせください。 2. (B) 製品のデータラベルに印刷されているシリアル番号をお知らせください。 3. (C) パーツリストを参照して、シリアル番号が正しいかご確認ください。 4. パーツ番号と数量をお知らせください。マニュアル/カタログのページ番号や参照番号でのご注文はご遠慮ください。 5. お客様のお名前、会社名、顧客ID番号、請求/発送先住所、電話番号、注文書番号をお知らせください。 6. 発送に関するご希望があれば、明記してください。 <hr/> <p>(D) ▽ - アセンブリを示します ▲ - アセンブリに含まれるパーツを示します</p>	<p>後日確認できるように、設置時に記入してください。</p> <p>モデルNo. - _____</p> <p>シリアルNo. - _____</p> <p>製品のオプション - _____</p> <p>販売代理店 - _____</p> <p>販売代理店の電話番号 - _____</p> <p>顧客ID番号 - _____</p> <p>設置日 - _____</p>
-----------	---	---

STANDARD PARTS

GENERAL RECOMMENDED MAINTENANCE ITEMS	7
BRUSHES AND PAD DRIVER GROUP, 43CM DISK MAGNETIC HUB	10
BRUSHES AND PAD DRIVER GROUP, 50CM DISK MAGNETIC HUB	12
BRUSHES AND PAD DRIVER GROUP, 60CM DUAL DISK MAGNETIC HUB	14
BRUSHES GROUP, 50CM CYLINDRICAL	16
PAD GROUP, 50CM ORBITAL	17
SCRUB HEAD GROUP, 43CM DISK, MAGNETIC HUB	18
SCRUB HEAD GROUP, 50CM DISK, MAGNETIC HUB	20
SCRUB HEAD GROUP, 60CM DUAL DISK, MAGNETIC HUB	22
SCRUB HEAD GROUP, 60CM DUAL DISK, MAGNETIC HUB - CONT'D	24
SCRUB HEAD GROUP, 50CM CYLINDRICAL ..	26
SCRUB HEAD GROUP, 50CM CYLINDRICAL - CONT'D	28
SCRUB HEAD GROUP, 50CM ORBITAL	30
RECOVERY TANK GROUP, STANDARD MODEL	32
RECOVERY TANK FILTER AND HOSE GROUP, PINCH CUFF SCREW CAP	34
RECOVERY TANK FILTER AND HOSE GROUP, STANDARD SCREW CAP	36
RECOVERY TANK FILTER AND HOSE GROUP, CONTROL VALVE	38
SOLUTION TANK GROUP	40
FRAME GROUP, PROPEL MODEL	42
FRAME GROUP, PUSH MODEL	44
ACTUATED DOWN PRESSURE GROUP	46
MANUAL DOWN PRESSURE GROUP	48
SOLUTION GROUP, STANDARD MODEL (S/N 11056740 -) (NEW BARB CONNECTOR STYLE)	50
SOLUTION GROUP, STANDARD MODEL (S/N 11009738 - 11056739) (NEW BARB CONNECTOR STYLE)	52
SOLUTION GROUP, STANDARD MODEL (S/N 10978370 - 11009737) (NEW BARB CONNECTOR STYLE)	54

SOLUTION GROUP, STANDARD MODEL (ORIGINAL PUSH QUICK CONNECTOR STYLE)	56
SOLUTION GROUP, STANDARD MODEL ec- H20 (S/N 11056740 -) (NEW BARB CONNECTOR STYLE)	58
SOLUTION GROUP, STANDARD MODEL ec- H20 (S/N 11009738 - 11056739) (NEW BARB CONNECTOR STYLE)	62
SOLUTION GROUP, STANDARD MODEL ec- H20 (S/N 10978370 - 11009737) (NEW BARB CONNECTOR STYLE)	64
SOLUTION GROUP, STANDARD MODEL ec- H20 (ORIGINAL PUSH QUICK CONNECTOR STYLE)	66
SOLUTION GROUP, STANDARD MODEL ec- H20 & SEVERE ENVIRONMENT (S/N 11056740 -) (NEW BARB CONNECTOR STYLE)	68
SOLUTION GROUP, STANDARD MODEL ec- H20 & SEVERE ENVIRONMENT (S/N 11009738 - 11056739) (NEW BARB CONNECTOR STYLE)	72
SOLUTION GROUP, STANDARD MODEL ec- H20 & SEVERE ENVIRONMENT (S/N 10978370 - 11009737) (NEW BARB CONNECTOR STYLE)	76
SOLUTION GROUP, STANDARD MODEL ec- H20 & SEVERE ENVIRONMENT (ORIGINAL PUSH QUICK CONNECTOR STYLE)	80
STANDARD ELECTRICAL COMPONENTS GROUP	84
LOWER CONSOLE GROUP, ON- BOARD CHARGER	86
LOWER CONSOLE GROUP, ON- BOARD CHARGER, LITHIUM- ION BATTERY	88
LOWER CONSOLE GROUP, OFF- BOARD CHARGER	90
CONSOLE HANDLE GROUP, PROPEL	92
CONSOLE HANDLE GROUP, PUSH	94
CONSOLE PANEL, PRO-MEMBRANE, PROPEL, ACTUATED DOWN PRESSURE, WITHOUT TELEMETRY	96
CONSOLE PANEL, PRO-MEMBRANE, PUSH, ACTUATED DOWN PRESSURE, WITHOUT TELEMETRY	98

TABLE OF CONTENTS

STANDARD PARTS - Cont'd

CONSOLE PANEL, MEMBRANE, PROPEL, MANUAL DOWN PRESSURE, WITHOUT TELEMETRY	100
CONSOLE PANEL, MEMBRANE, PUSH, MANUAL DOWN PRESSURE, WITHOUT TELEMETRY	102
CONSOLE PANEL, PRO-PANEL (LCD), PROPEL, WITHOUT TELEMETRY	104
CONSOLE PANEL, PRO-PANEL (LCD), PUSH, WITHOUT TELEMETRY	106
SHROUD GROUP, DISK AND ORBITAL HEAD .	108
SHROUD GROUP, CYLINDRICAL HEAD	110
SCRUB HEAD LIFT GROUP, 43CM DISK MODEL	112
SCRUB HEAD LIFT GROUP, 50CM DISK MODEL	114
SCRUB HEAD LIFT GROUP, 60CM DUAL DISK MODEL	116
SCRUB HEAD LIFT GROUP, 50CM CYLINDRICAL MODEL	118
SCRUB HEAD LIFT GROUP, 50CM ORBITAL MODEL	120
SQUEEGEE ASSEMBLY, 500MM / 20IN	122
SQUEEGEE LIFT GROUP	124
BATTERY CABLE GROUP	126
BATTERY GROUP, 105AH C20 WET	128
BATTERY GROUP, 130AH C20 WET	129
BATTERY GROUP, 150AH C20 WET	130
BATTERY GROUP, 140AH C20 AGM	131
BATTERY GROUP, 90AH 125 BAUD LITHIUM-ION	132
LABEL GROUP	134
LABEL GROUP - CONT'D	136
HARNES GROUP	138

OPTIONS

CONSOLE PANEL, PRO-MEMBRANE, PROPEL, ACTUATED DOWN PRESSURE, WITH TELEMETRY (S/N 11100270 -)	140
CONSOLE PANEL, T300 PRO- MEMBRANE, PROPEL, ACTUATED DOWN PRESSURE, WITH TELEMETRY (S/N 10000000 - 11100269)	142

CONSOLE PANEL, PRO-MEMBRANE, PUSH, ACTUATED DOWN PRESSURE, WITH TELEMETRY (S/N 11100270 -)	144
CONSOLE PANEL, PRO-MEMBRANE, PUSH, ACTUATED DOWN PRESSURE, WITH TELEMETRY (S/N 10000000 - 11100269)	146
CONSOLE PANEL, MEMBRANE, PROPEL, MANUAL DOWN PRESSURE, WITH TELEMETRY (S/N 11100270 -)	148
CONSOLE PANEL, MEMBRANE, PROPEL, MANUAL DOWN PRESSURE, WITH TELEMETRY (S/N 10000000 - 11100269)	150
CONSOLE PANEL, MEMBRANE, PUSH, MANUAL DOWN PRESSURE, WITH TELEMETRY (S/N 11100270 -)	152
CONSOLE PANEL, MEMBRANE, PUSH, MANUAL DOWN PRESSURE, WITH TELEMETRY (S/N 10000000 - 11100269)	154
CONSOLE PANEL, PRO- PANEL (LCD), PROPEL, WITH TELEMETRY (S/N 11100270 -) ..	156
CONSOLE PANEL, PRO- PANEL (LCD), PROPEL, WITH TELEMETRY (S/N 10000000 - 11100269)	158
CONSOLE PANEL, PRO- PANEL (LCD), PUSH, WITH TELEMETRY (S/N 11100270 -) ..	160
CONSOLE PANEL, PRO- PANEL (LCD), PUSH, WITH TELEMETRY (S/N 10000000 - 11100269)	162
BATTERY LIFT OUT BOX KIT	164
MANUAL BATTERY WATERING SYSTEM (S/N 11028698 -)	166
HYDROLINK® BATTERY WATERING SYSTEM KIT (S/N 10000000 - 11028697)	168
SEVERE ENVIRONMENT LOCKOUT KIT	170
PARKING BRAKE GROUP	171
DOCUMENTATION GROUP (ONLINE ONLY) ...	172

BREAKDOWNS

ec- H2O NANOCLEAN MODULE BREAKDOWN 9020643, 9021553 (S/N 10998111 -) ...	174
ec- H2O NANOCLEAN MODULE BREAKDOWN 9011810 (S/N 10000000 - 10998110)	176
ORBITAL HEAD ECCENTRIC DRIVE BREAKDOWN	178

RECOMMENDED MAINTENANCE ITEMS

GENERAL RECOMMENDED MAINTENANCE ITEMS

Part No.	Serial Number	Description	Qty.
1213034	(10000000- 20000000)	Brush Assy, Disk, Scb, 43cm, Mag, Nyl	1
1213035	(10000000- 20000000)	Brush Assy, Disk, Scb, 43cm, Mag, Pyp	1
1213037	(10000000- 20000000)	Brush Assy, Disk, Scb, 43cm, Mag, Ab	1
1243350	(10000000- 20000000)	Pad, Polish, 17.0d, White [1pick=1ctn]	1
1243349	(10000000- 20000000)	Pad, Buff, 17.0d, Red [1pick=1ctn]	1
1243348	(10000000- 20000000)	Pad, Scb, 17.0d, Blu [1pick=1ctn]	1
1243664	(10000000- 20000000)	Pad, Strip, 17.0d Brown [1pick=1ctn]	1
1243663	(10000000- 20000000)	Pad, Strip, 17.0d Blk[Hi Prod1pick=1ctn]	1
1243669	(10000000- 20000000)	Pad, Surf Prep, 17.0d Maroon[1pick=1ctn]	1
1240391	(10000000- 20000000)	Pad, Polish, 17.0d, Yel [1pick=1ctn]	1
1210386	(10000000- 20000000)	Brush Assy, Disk, Scb, 50cm, Mag, Nyl	1
1213032	(10000000- 20000000)	Brush Assy, Disk, Scb, 50cm, Mag, Pyp	1
1213033	(10000000- 20000000)	Brush Assy, Disk, Scb, 50cm, Mag, Ab	1
1243338	(10000000- 20000000)	Pad, Polish, 20.0d, White [1pick=1ctn]	1
1243339	(10000000- 20000000)	Pad, Buff, 20.0d, Red [1pick=1ctn]	1
1243340	(10000000- 20000000)	Pad, Scb, 20.0d, Blu [1pick=1ctn]	1
1243566	(10000000- 20000000)	Pad, Stripping 20.0d, Brn [1pick=1ctn]	1
1243661	(10000000- 20000000)	Pad, Strip, 20.0d Blk[Hi Prod1pick=1ctn]	1
1243670	(10000000- 20000000)	Pad, Surf Prep, 20.0d Maroon[1pick=1ctn]	1
1240393	(10000000- 20000000)	Pad, Polish, 20.0d, Yel [1pick=1ctn]	1
1210136	(10000000- 20000000)	Brush Assy, Disk, Scb, 30cm, Mag, Nyl	2
1213040	(10000000- 20000000)	Brush Assy, Disk, Scb, 30cm, Mag, Pyp	2
1213041	(10000000- 20000000)	Brush Assy, Disk, Scb, 30cm, Mag, Ab	2
1243345	(10000000- 20000000)	Pad, Polish, 12.0d, White [1pick=1ctn]	2
1243346	(10000000- 20000000)	Pad, Buff, 12.0d, Red [1pick=1ctn]	2
1243347	(10000000- 20000000)	Pad, Scb, 12.0d, Blu [1pick=1ctn]	2
1243662	(10000000- 20000000)	Pad, Strip, 12.0d Brown [1pick=1ctn]	2
1243671	(10000000- 20000000)	Pad, Strip, 12.0d Blk[Hi Prod1pick=1ctn]	2
1243665	(10000000- 20000000)	Pad, Surf Prep, 12.0d Maroon[1pick=1ctn]	2
1240353	(10000000- 20000000)	Pad, Polish, 12.0d, Yel [1pick=1ctn]	2
1209188	(10000000- 20000000)	Brush, Scb, 21l, 20sr, Nyl (Cylindrical Model)	2
1212762	(10000000- 20000000)	Brush, Scb, 21l, 20sr, Pyp (Cylindrical Model)	2
1243351	(10000000- 20000000)	Pad, Polish, 20 X 14, White [1pick=1ctn] (Orbital Model)	1
1243352	(10000000- 20000000)	Pad, Buff, 20 X 14, Red [1pick=1ctn] (Orbital Model)	1
1243353	(10000000- 20000000)	Pad, Scb, 20 X 14, Blu [1pick=1ctn] (Orbital Model)	1
1243672	(10000000- 20000000)	Pad, Surf Prep, 20x14 Maroon[1pick=1ctn](Orbital Model)	1
1074740	(10000000- 20000000)	Pad, Scb, 14 X 20, Green [1pick=1ctn] (Orbital Model)	1
1075562	(10000000- 20000000)	Pad, Stripper, 20 X 14, Blk [1pick=1ctn] (Orbital Model)	1
1228000	(10000000- 20000000)	Pad, Melamine, 14" X 20" [Case Of 5] (Orbital Model)	1
1240342	(10000000- 20000000)	Pad, Polish, 20 X 14, Yel [1pick=1ctn] (Orbital Model)	1
1217830	(10000000- 20000000)	Pad, Backer, 20 X 14 (Orbital Model)	1

RECOMMENDED MAINTENANCE ITEMS

GENERAL RECOMMENDED MAINTENANCE ITEMS

	Part No.	Serial Number	Description	Qty.
	1223582	(10000000- 20000000)	Wheel, Scrbr, 8.00d, W/ Taper [(Propel Model)	2
	1223724	(10000000- 20000000)	Wheel, Scrbr, 8.00d, W/ Brg (Push Model)	2
	1212422	(10000000- 20000000)	Caster, Swivel [Wicke 224051]	1
▽	1211537	(10000000- 20000000)	Filter, In- Line, Pf06/Pf06 080m 2.6l Epd	1
▲	1218885	(10000000- 20000000)	Gasket [Epdm, F/1211537]	1
▲	1218883	(10000000- 20000000)	Screen, Fltr, 80 Mesh, Ss [W/ Cage]	1
▲	613991	(10000000- 20000000)	Bowl, Clr, Short, F/1005302	1
▽	9014172	(10000000- 20000000)	Squeegee Kit, Linatex, Am [T300/E/Ss300]	1
▲	1010560	(10000000- 20000000)	Wheel, Bmpr, 80d X 25w, Non- Marking	2
▲	630477	(10000000- 20000000)	Wheel, Pyu, 02.0d 0.38w, Gray	2
▲▽	9015731	(10000000- 20000000)	Blade Kit, 500mm, Linatex (Standard)	1
▲▲	1203953	(10000000- 20000000)	Blade, Sqge, Rear, 836l, Linatex[500mm] (Standard)	1
▲▲	1203954	(10000000- 20000000)	Blade, Sqge, Front, 788l, Linatex[500mm] (Standard)	1
▽	9015732	(10000000- 20000000)	Blade Kit, 500mm, Urethane (Option)	1
▲	1215609	(10000000- 20000000)	Blade, Sqge, Rear, 836l, Urethane[500mm] (Option)	1
▲	1215611	(10000000- 20000000)	Blade, Sqge, Front, 788l, Urethane[500mm (Option)	1
▽	9015730	(10000000- 20000000)	Blade Kit, 500mm, Gum (Option)	1
▲	1215610	(10000000- 20000000)	Blade, Sqge, Rear, 836l, Gum[500mm] (Option)	1
▲	1215612	(10000000- 20000000)	Blade, Sqge, Front, 788l, Gum[500mm] (Option)	1
	1055019	(10000000- 20000000)	Bumper, Head, 43cm, W/ Bristle Skirt, Im	1
	1055025	(10000000- 20000000)	Bumper, Head, 50cm, W/ Bristle Skirt, Im	1
	1072656	(10000000- 20000000)	Bumper, Head, 60cm, Bristle Skirt	1
	1010560	(10000000- 20000000)	Wheel, Bmpr, 80d X 25w, Non- Marking (Disk Heads)	1
▽	9021553	(OCT2022- 20000000)	Module Kit, Replmt [Ec- H2o, B 02] (See Breakdowns)	1
▽	9020643	(10998111- SEP2022)	Module Kit, Replmt [Ec- H2o, B 02] (See Breakdowns) (Replaced By 9021553)	1
▽	9011810	(10000000- 10998110)	Module Kit, Replmt [Ec- H2o, B 02] (See Breakdowns) (Replaced By 9021553)	1
▲	9013646	(10000000- 20000000)	Cartridge, Ec- H2o Nanoclean Wcm, 270ml	1
▽	1226976	(10834063- 20000000)	Motor, Ele, 24vdc 0215rpm 650w, 17mm (43CM & 50CM Disk Head)	1
▲	1227273	(10834063- 20000000)	Vr, Brush Kit, Motor, Ele (4pc)	1
▽	1210703	(10000000- 10834062)	Motor, Ele, 24vdc 0200rpm 1.00hp, 17mm (43CM & 50CM Disk Head) (Replaced By 9015159)	1
▲	222606	(10000000- 10834062)	Vr, Brush Kit, Motor, Ele [lp] (4Pc) (For Imperial Motor - Frame #P56SG681)	1
▲	1045790	(10000000- 10834062)	Brush Kit, Replmt, Carbon 24vdc[1pk=1set](4Pc) (For Sanrong Motor - Frame #56S)	1
▽	1227280	(10835313- 20000000)	Motor, 24vdc, 2000rpm, 7/8hp (60CM Disk Head)	1
▲	1059370	(10000000- 20000000)	Brush, Motor, Replmt [Bag Of 4]	1
▽	1210212	(10000000- 10835312)	Motor, 24vdc, 2000rpm, 7/8hp, Us (60CM Disk Head) (Replaced By 9015160)	1
▲	1059370	(10000000- 20000000)	Brush, Motor, Replmt [Bag Of 4] (60CM Disk Head)	1
▽	1210202	(10000000- 20000000)	Motor, Ele, 24vdc [Vw Cyl] (Cylindrical Head)	1
▲	1059370	(10000000- 20000000)	Brush, Motor, Replmt [Bag Of 4]	1
▽	1226909	(10827598- 20000000)	Motor, Ele, 24vdc, 2200rpm, .6hp, 22mm (Orbital Head)	1
▲	1059370	(10000000- 20000000)	Brush, Motor, Replmt [Bag Of 4]	1
▽	1212669	(10000000- 10827597)	Motor, Ele, 24vdc, 2200rpm, .6hp, 22mm (Orbital Head) (Replaced By 9015162)	1
▲	1059370	(10000000- 20000000)	Brush, Motor, Replmt [Bag Of 4] (Orbital Head)	1
	9022169	(10000000- 20000000)	Belt Kit, Disc Head, 600mm, Replmt (60CM Disk Head)	1

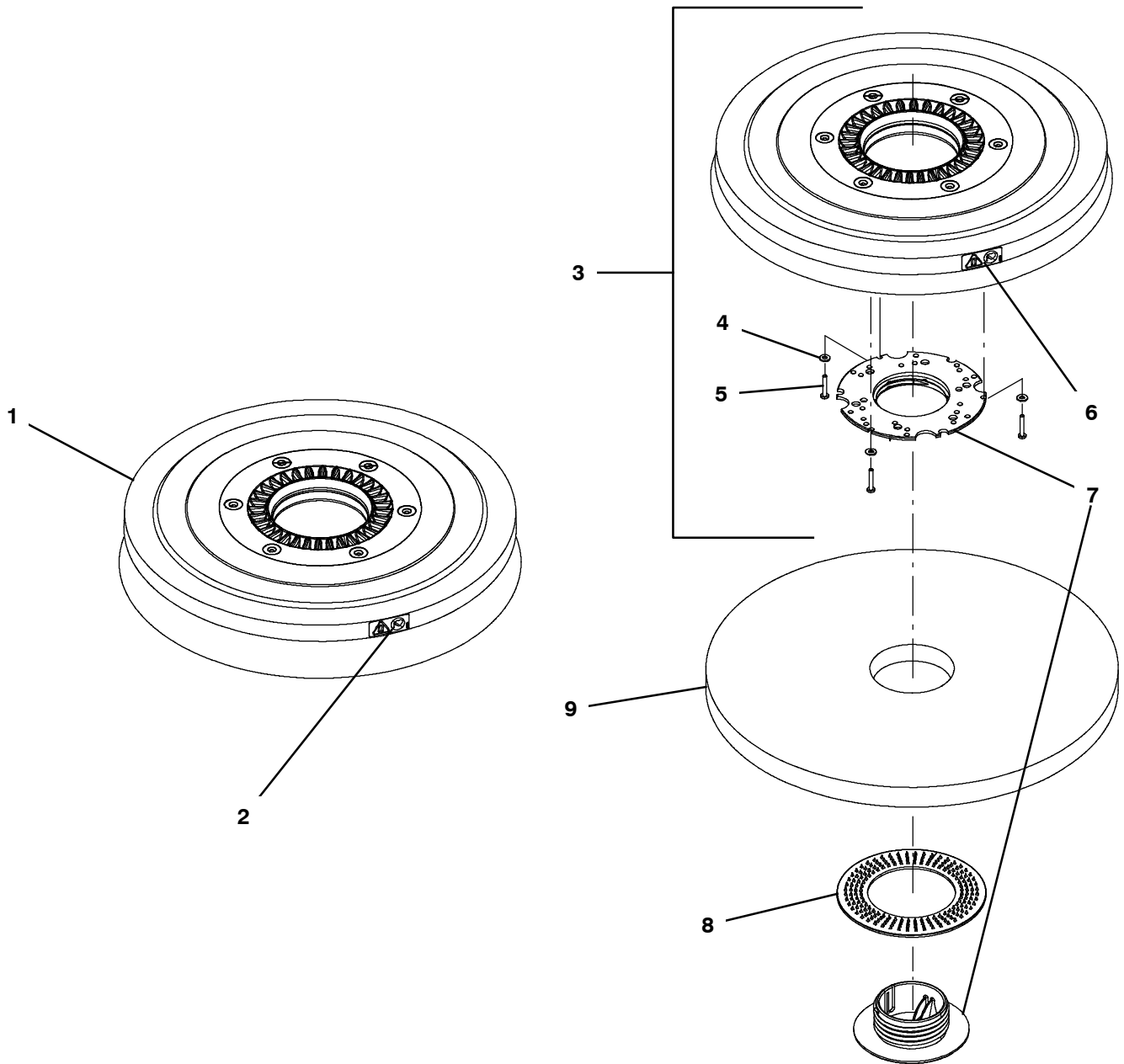
RECOMMENDED MAINTENANCE ITEMS

GENERAL RECOMMENDED MAINTENANCE ITEMS

	Part No.	Serial Number	Description	Qty.
▽	9014166	(10000000- 20000000)	Kit, Belt, Motor (Includes Belt & Installation Tool) (Cylindrical Head)	1
▲	1209587	(10000000- 20000000)	Belt, Motor [Vw Single Motor]	1
▲	1213132	(10000000- 20000000)	Tool, Installation, Belt	1
	1215666	(10000000- 20000000)	Skirt, Side, Cyl, Floating (Cylindrical Head)	2
	630477	(10000000- 20000000)	Wheel, Pyu, 02.0d 0.38w, Gray (Cylindrical Head)	4
▽	1226905	(10000000- 20000000)	Fan, Vacuum, 6.6d, 024vdc, 2 Stage	1
▲	1206774	(10000000- 20000000)	Vr, Brush Kit, Motor, Fan (1 Pkg = 2 Pcs)	1
▽	9014872	(10785189- 20000000)	Kit, Deflector, Tray, Debris, Cl, [T300]	1
▲	1225187	(10785189- 20000000)	Seal, Rbr, Clsd, 12.7 Th , 24.0ld, 40.0Od	1
▲	1207357	(10000000- 20000000)	Tray, Debris, Tank, Recvy [T300]	1
	630052	(10000000- 20000000)	Float, Shut- Off, (2)Ball, 1.75d	1
	9014905	(10786725- 20000000)	Cover Kit, Circuitbreaker, Ci[T300/E/Ss]	1
▽	1251388	(10988543- 20000000)	Hose Assy, Drain, 1.5id X 13.0l [Pvc] (Black - Standard)	1
▲	1218955	(10000000- 20000000)	Cap, Drain Assy [Black]	1
▽	1213010	(10000000- 10988542)	Hose Assy, Drain, 1.5d 017l 1.5/Cap[Pvc] (Black - Standard) (Replaced By 1251388)	1
▲	1218955	(10000000- 20000000)	Cap, Drain Assy [Black]	1
▽	1246719	(10949064- 10988542)	Hose Assy, Drain, 1.5id X 21.9l [Pu] (Gray - Option) (No Longer Available - Replaced By Black Pinch Cuff Screw Cap 1251388)	1
▲	1219134	(10000000- 10988542)	Cap, Drain Assy [Gray]	1
▽	1213008	(10000000- 10949063)	Hose Assy, Drain, 1.5d 025l 1.5/Cap [Pu] (Gray - Option) (No Longer Available - Replaced By Black Pinch Cuff Screw Cap 1251388)	1
▲	1219134	(10000000- 10988542)	Cap, Drain Assy [Gray]	1
▽	9014171	(10000000- 10949063)	Hose Assy, With Valve (Gray - Option) (No Longer Available - Replaced By Black Pinch Cuff Screw Cap 1251388)	1
▲	1051986	(10000000- 10949063)	Valve, Ball, 2way, 1.0id Pvc, W/Handle (No Longer Available - Replaced By Black Pinch Cuff Screw Cap 1251388)	1
▲	1222591	(10000000- 10949063)	Hose Assy, 45cuff, 1.5d 021l 1.5/1.5[Pu] (No Longer Available - Replaced By Black Pinch Cuff Screw Cap 1251388)	1
	1211220	(10000000- 20000000)	Hose Assy, W/2cuff, 1.5d 022l 1.5/1.5[Pvc] (Black - Standard)	1
	1204663	(10000000- 10988542)	Hose Assy, W/2cuff, 1.5d 031l 1.5/1.5[Pu] (Gray - Option) (No Longer Available - Replaced By 1211220 - Black PVC Standard)	1
	1210472	(10000000- 20000000)	Seal, Afmkt, Bulb, 0.50d .13grip, 05ft (Rec Tank Lid)	1
	1046428	(10000000- 20000000)	Seal, Afmkt, Rbr, Clsd, Adh, 02ft (Front Fill Cover)	1
▽	1216386	(10000000- 20000000)	Motor, Transaxle, 24vdc, Replmt [UI, Ce]	1
▲	1212351	(10000000- 20000000)	Brush Kit, Carbon, Transaxle, UI (1 Kit = 4 Pcs)	1

BRUSHES AND PAD DRIVER GROUP, 43CM DISK MAGNETIC HUB

355338



BRUSHES AND PAD DRIVER GROUP, 43CM DISK MAGNETIC HUB

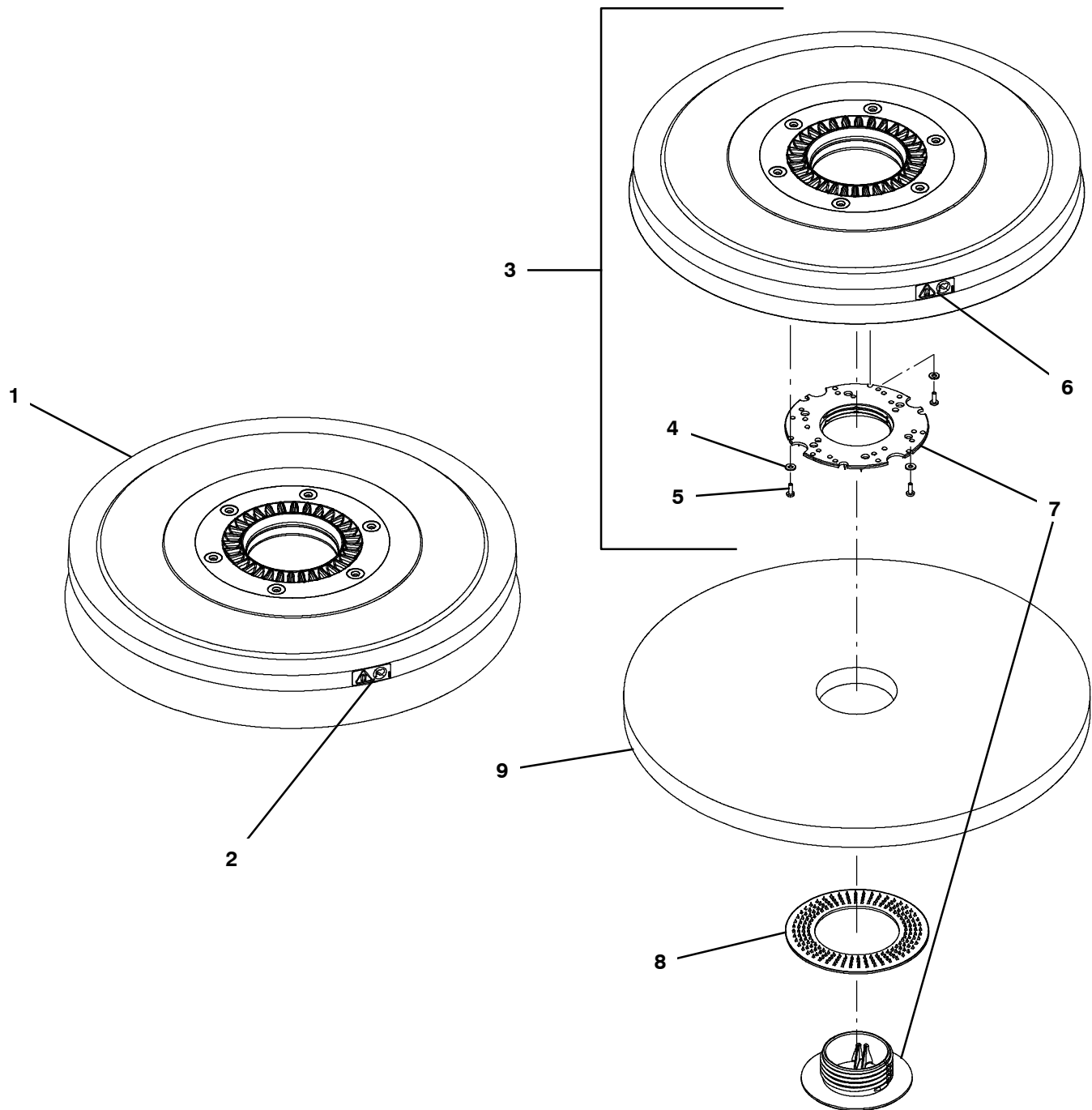
	Ref.	Part No.	Serial Number	Description	Qty.
▽	1	1213034	(10000000- 20000000)	Brush Assy, Disk, Scb, 43cm, Mag, Nyl	1
▽	1	1213035	(10000000- 20000000)	Brush Assy, Disk, Scb, 43cm, Mag, Pyp	1
▽	1	1213037	(10000000- 20000000)	Brush Assy, Disk, Scb, 43cm, Mag, Ab	1
▲	2	1218392	(10000000- 20000000)	Label, Safety, Magnet, Med	1
▽	3	1211869	(10000000- 20000000)	Driver Assy, Pad, 43cm, Brush, Magnetic	1
▲	4	41579	(10000000- 20000000)	Washer, Flat, 08, Ss	3
▲	5	1212542	(10000000- 20000000)	Screw, Pan, Phl, M4 X 0.70 X 12, NI, Ss	3
▲	6	1218392	(10000000- 20000000)	Label, Safety, Magnet, Med	1
▲	7	32506	(10000000- 20000000)	Device, Centering, Rh Pad Retainer	1
	8	32505	(10000000- 20000000)	Washer, Flat, 92b 156d 2.6l, Pad Driver	1
	9	1243350	(10000000- 20000000)	Pad, Polish, 17.0d, White [1pick=1ctn]	1
	9	1243349	(10000000- 20000000)	Pad, Buff, 17.0d, Red [1pick=1ctn]	1
	9	1243348	(10000000- 20000000)	Pad, Scb, 17.0d, Blu [1pick=1ctn]	1
	9	1243664	(10000000- 20000000)	Pad, Strip, 17.0d Brown [1pick=1ctn]	1
	9	1243663	(10000000- 20000000)	Pad, Strip, 17.0d Blk[Hi Prod1pick=1ctn]	1
	9	1243669	(10000000- 20000000)	Pad, Surf Prep, 17.0d Maroon[1pick=1ctn]	1
	9	1240391	(10000000- 20000000)	Pad, Polish, 17.0d, Yel [1pick=1ctn]	1

▽ ASSEMBLY

▲ INCLUDED IN ASSEMBLY

BRUSHES AND PAD DRIVER GROUP, 50CM DISK MAGNETIC HUB

355339



BRUSHES AND PAD DRIVER GROUP, 50CM DISK MAGNETIC HUB

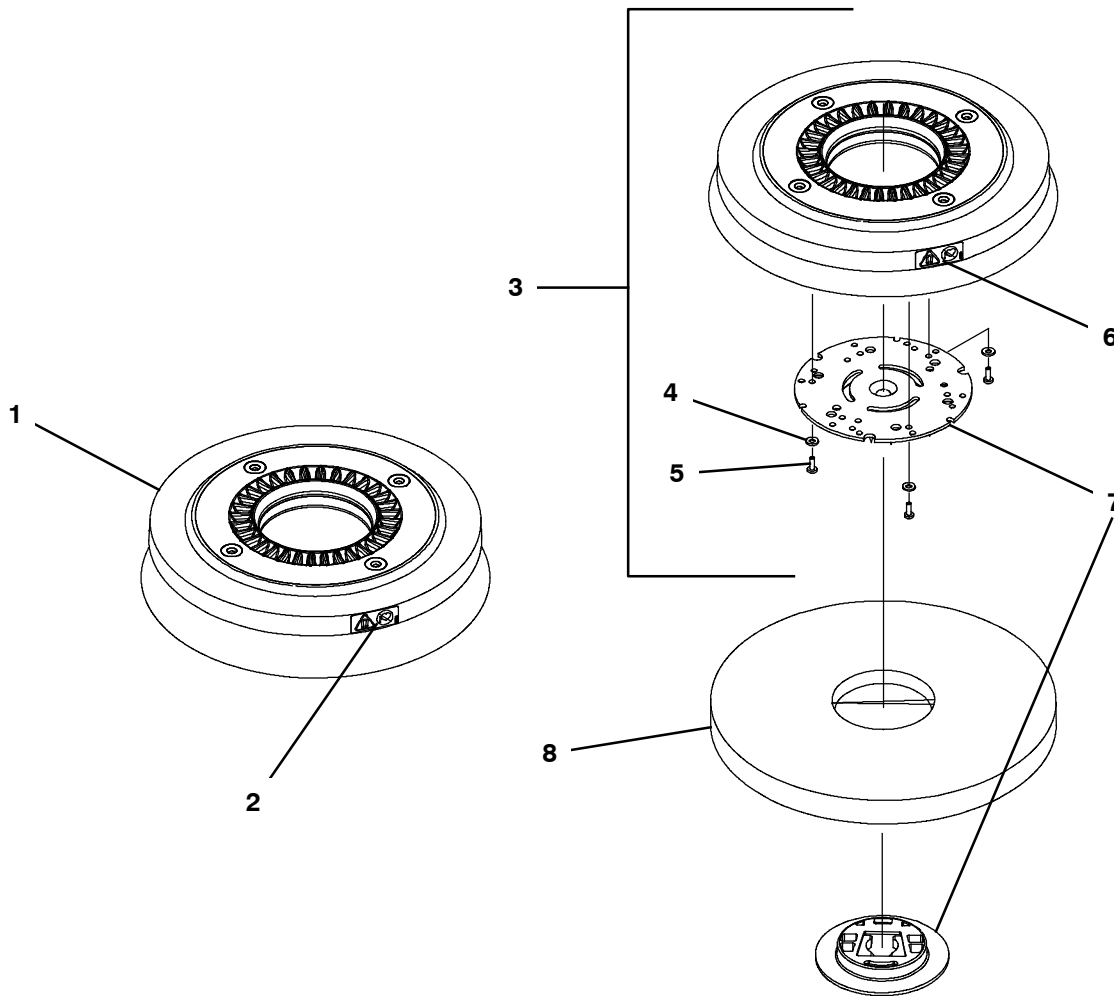
	Ref.	Part No.	Serial Number	Description	Qty.
▽	1	1210386	(10000000- 20000000)	Brush Assy, Disk, Scb, 50cm, Mag, Nyl	1
▽	1	1213032	(10000000- 20000000)	Brush Assy, Disk, Scb, 50cm, Mag, Pyp	1
▽	1	1213033	(10000000- 20000000)	Brush Assy, Disk, Scb, 50cm, Mag, Ab	1
▲	2	1218392	(10000000- 20000000)	Label, Safety, Magnet, Med	1
▽	3	1209197	(10000000- 20000000)	Driver Assy, Pad, 50cm, Brush, Magnetic	1
▲	4	41579	(10000000- 20000000)	Washer, Flat, 08, Ss	3
▲	5	1212542	(10000000- 20000000)	Screw, Pan, Phl, M4 X 0.70 X 12, NI, Ss	3
▲	6	1218392	(10000000- 20000000)	Label, Safety, Magnet, Med	1
▲	7	32506	(10000000- 20000000)	Device, Centering, Rh Pad Retainer	1
	8	32505	(10000000- 20000000)	Washer, Flat, 92b 156d 2.6l, Pad Driver	1
	9	1243338	(10000000- 20000000)	Pad, Polish, 20.0d, White [1pick=1ctn]	1
	9	1243339	(10000000- 20000000)	Pad, Buff, 20.0d, Red [1pick=1ctn]	1
	9	1243340	(10000000- 20000000)	Pad, Scb, 20.0d, Blu [1pick=1ctn]	1
	9	1243566	(10000000- 20000000)	Pad, Stripping 20.0d, Brn [1pick=1ctn]	1
	9	1243661	(10000000- 20000000)	Pad, Strip, 20.0d Blk[Hi Prod1pick=1ctn]	1
	9	1243670	(10000000- 20000000)	Pad, Surf Prep, 20.0d Maroon[1pick=1ctn]	1
	9	1240393	(10000000- 20000000)	Pad, Polish, 20.0d, Yel [1pick=1ctn]	1

▽ ASSEMBLY

▲ INCLUDED IN ASSEMBLY

BRUSHES AND PAD DRIVER GROUP, 60CM DUAL DISK MAGNETIC HUB

355340



BRUSHES AND PAD DRIVER GROUP, 60CM DUAL DISK MAGNETIC HUB

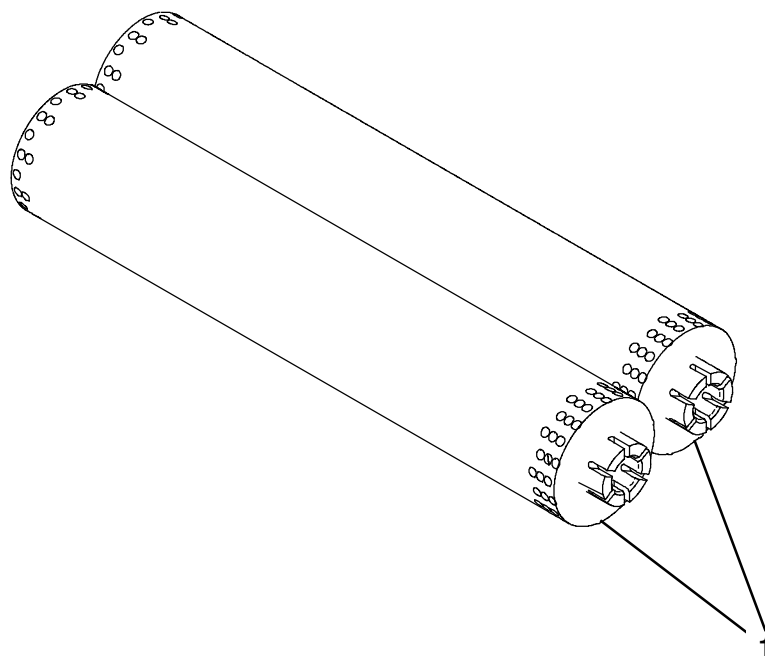
Ref.	Part No.	Serial Number	Description	Qty.
▽	1	1210136	(10000000- 20000000) Brush Assy, Disk, Scb, 30cm, Mag, Nyl	2
▽	1	1213040	(10000000- 20000000) Brush Assy, Disk, Scb, 30cm, Mag, Pyp	2
▽	1	1213041	(10000000- 20000000) Brush Assy, Disk, Scb, 30cm, Mag, Ab	2
▲	2	1218392	(10000000- 20000000) Label, Safety, Magnet, Med	1
▽	3	1209160	(10000000- 20000000) Driver Assy, Pad, 30cm, [Magnetic]	2
▲	4	41579	(10000000- 20000000) Washer, Flat, 08, Ss	3
▲	5	1212542	(10000000- 20000000) Screw, Pan, Phl, M4 X 0.70 X 12, Ni, Ss	3
▲	6	1218392	(10000000- 20000000) Label, Safety, Magnet, Med	1
▲	7	370095	(10000000- 20000000) Device, Centering, Clip On, Tl [Gf Pp]	1
	8	1243345	(10000000- 20000000) Pad, Polish, 12.0d, White [1pick=1ctn]	2
	8	1243346	(10000000- 20000000) Pad, Buff, 12.0d, Red [1pick=1ctn]	2
	8	1243347	(10000000- 20000000) Pad, Scb, 12.0d, Blu [1pick=1ctn]	2
	8	1243662	(10000000- 20000000) Pad, Strip, 12.0d Brown [1pick=1ctn]	2
	8	1243671	(10000000- 20000000) Pad, Strip, 12.0d Blk[Hi Prod1pick=1ctn]	2
	8	1243665	(10000000- 20000000) Pad, Surf Prep, 12.0d Maroon[1pick=1ctn]	2
	8	1240353	(10000000- 20000000) Pad, Polish, 12.0d, Yel [1pick=1ctn]	2

▽ ASSEMBLY

▲ INCLUDED IN ASSEMBLY

BRUSHES GROUP, 50CM CYLINDRICAL

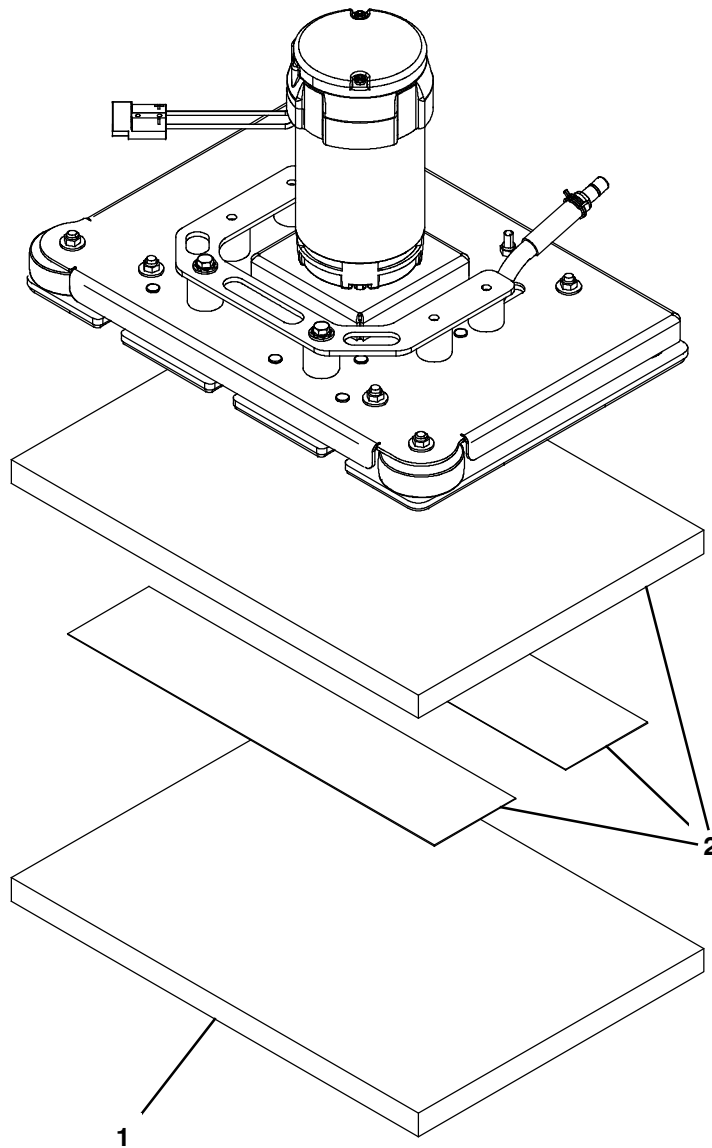
355333



Ref.	Part No.	Serial Number	Description	Qty.
1	1209188	(10000000-20000000)	Brush, Scb, 21l, 20sr, Nyl	2
1	1212762	(10000000-20000000)	Brush, Scb, 21l, 20sr, Pyp	2

PAD GROUP, 50CM ORBITAL

355334

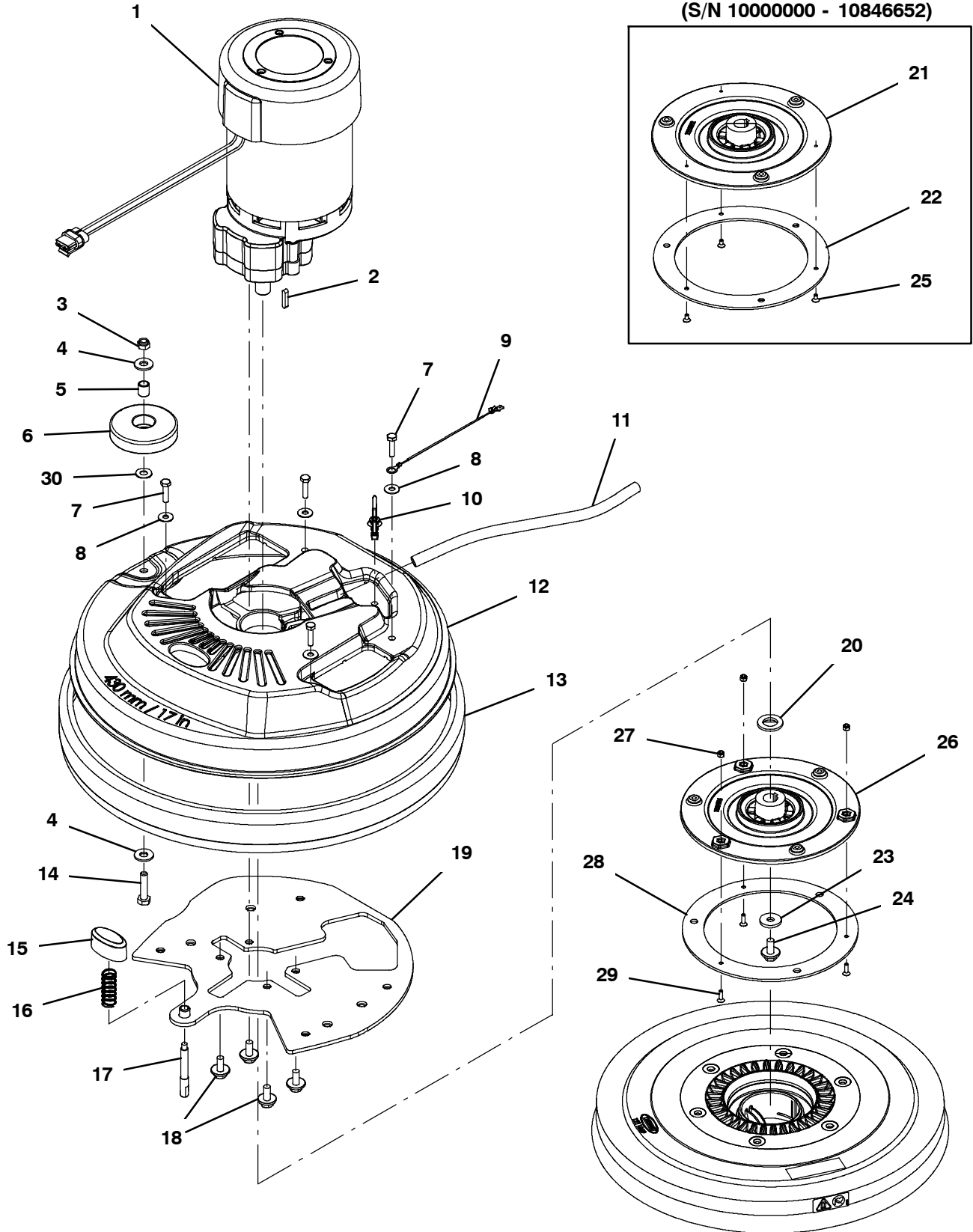


Ref.	Part No.	Serial Number	Description	Qty.
1	1243351	(10000000- 20000000)	Pad, Polish, 20 X 14, White [1pick=1ctn]	1
1	1243352	(10000000- 20000000)	Pad, Buff, 20 X 14, Red [1pick=1ctn]	1
1	1243353	(10000000- 20000000)	Pad, Scb, 20 X 14, Blu [1pick=1ctn]	1
1	1243672	(10000000- 20000000)	Pad, Surf Prep, 20x14 Maroon[1pick=1ctn]	1
1	1074740	(10000000- 20000000)	Pad, Scb, 14 X 20, Green [1pick=1ctn]	1
1	1075562	(10000000- 20000000)	Pad, Stripper, 20 X 14, Blk [1pick=1ctn]	1
1	1228000	(10000000- 20000000)	Pad, Melamine, 14" X 20" [Case Of 5]	1
1	1240342	(10000000- 20000000)	Pad, Polish, 20 X 14, Yel [1pick=1ctn]	1
2	1217830	(10000000- 20000000)	Pad, Backer, 20 X 14 (Includes Hook & Loop Fastener)	1

SCRUB HEAD GROUP, 43CM DISK, MAGNETIC HUB

355294

(S/N 1000000 - 10846652)



SCRUB HEAD GROUP, 43CM DISK, MAGNETIC HUB

Ref.	Part No.	Serial Number	Description	Qty.
▽	1	1226976	(10834063- 20000000) Motor, Ele, 24vdc 0215rpm 650w, 17mm	1
▲		1227273	(10834063- 20000000) Vr, Brush Kit, Motor, Ele (4pc)	1
▲	2	1014328	(10000000- 20000000) Key, Sq, 05mm X 05mm, 25mml	1
▽	1	1210703	(10000000- 10834062) Motor, Ele, 24vdc 0200rpm 1.00hp, 17mm (Replaced By 9015159)	1
▲		222606	(10000000- 10834062) Vr, Brush Kit, Motor, Ele [lp] (4Pc) (For Imperial Motor - Frame #P56SG681)	1
▲		1045790	(10000000- 10834062) Brush Kit, Replmt,Carbon 24vdc[1pk=1set](4Pc) (For Sanrong Motor - Frame #56S)	1
▲	2	1014328	(10000000- 20000000) Key, Sq, 05mm X 05mm, 25mml	1
	3	08713	(10000000- 20000000) Nut, Hex, Lock, M8 X 1.25, NI, Ss	1
	4	01685	(10000000- 20000000) Washer, Flat, 0.38b 0.88d .08, Ss	2
	5	1027926	(10000000- 20000000) Sleeve, P/M, 0.38b 0.50d 0.6l [430ss]	1
	6	1010560	(10000000- 20000000) Wheel, Bmpr, 80d X 25w, Non- Marking	1
	7	1016005	(10000000- 20000000) Screw, Hex, M6 X 1.00 X 25, NI, FI, Ss	4
	8	01684	(10000000- 20000000) Washer, Flat, 0.27b 0.69d .05, Ss	4
	9	1074344	(10000000- 20000000) Harness, Ele [Ring With .250m Tail]	1
	10	1210807	(10000000- 20000000) Wire, Tie [W/.25" Fir Tree Clip]	1
	11	1014929	(10000000- 20000000) Hose, Afmkt, Pvc, Clr, 0.38id, 01ft	1
	12	1212324	(10000000- 20000000) Housing, Head, 43cm	1
	13	1055019	(10000000- 20000000) Bumper, Head, 43cm, W/ Bristle Skirt, Im	1
	14	09023	(10000000- 20000000) Screw, Hex, M8 X 1.25 X 35, FI, Ss	1
	15	1211242	(10000000- 20000000) Button, Plunger, Pad	1
	16	1212785	(10000000- 20000000) Spring, Cmpr, .66od, .05wir, 1.75l, Ss	1
	17	1211256	(10000000- 20000000) Pin, Stop, Long	1
	18	1020341	(10000000- 20000000) Screw, Hex, M8 X 1.25 X 20, Ss, Sems	4
	19	1223980	(10802498- 20000000) Plate Wldt, Head, Weighted	1
	19	1210590	(10000000- 10802497) Plate Wldt, Head, Weighted (Replaced By Kit 9014801)	1
	20	1022549	(10000000- 20000000) Spacer, Shaft, 17.15b 30.0d 3.0l, Ss	1
	21	1212312	(10000000- 10846652) Hub, Drive, Magnetic [Machined] (Replaced By 9015184)	1
	22	1205043	(10000000- 20000000) Ring, Hub, Magnetic	1
	23	1017218	(10000000- 20000000) Washer, Flat, 0.32b 1.00d .12, Ss	1
	24	1020341	(10000000- 20000000) Screw, Hex, M8 X 1.25 X 20, Ss, Sems	1
	25	630114	(10000000- 10846652) Screw, Flt, Phl, M4 X 0.70 X 8, 4.8	3
▽		9015184	(10846653- 20000000) Hub Kit, Drive, Magnetic [T300]	1
▲	26	1227654	(10846653- 20000000) Hub, Drive, Magnetic [Machined]	1
▲	27	33932	(10846653- 20000000) Nut, Hex, Lock, M4 X 0.70, NI, Ss	2
▲	28	1205043	(10000000- 20000000) Ring, Hub, Magnetic	1
▲	29	1227670	(10846653- 20000000) Screw, Flt, Soc, M4 X 0.70 X 14,18- 8, Ss	3
	30	140027	(10000000- 20000000) Washer, Flat, 0.35b 0.75d .04, Ss	1

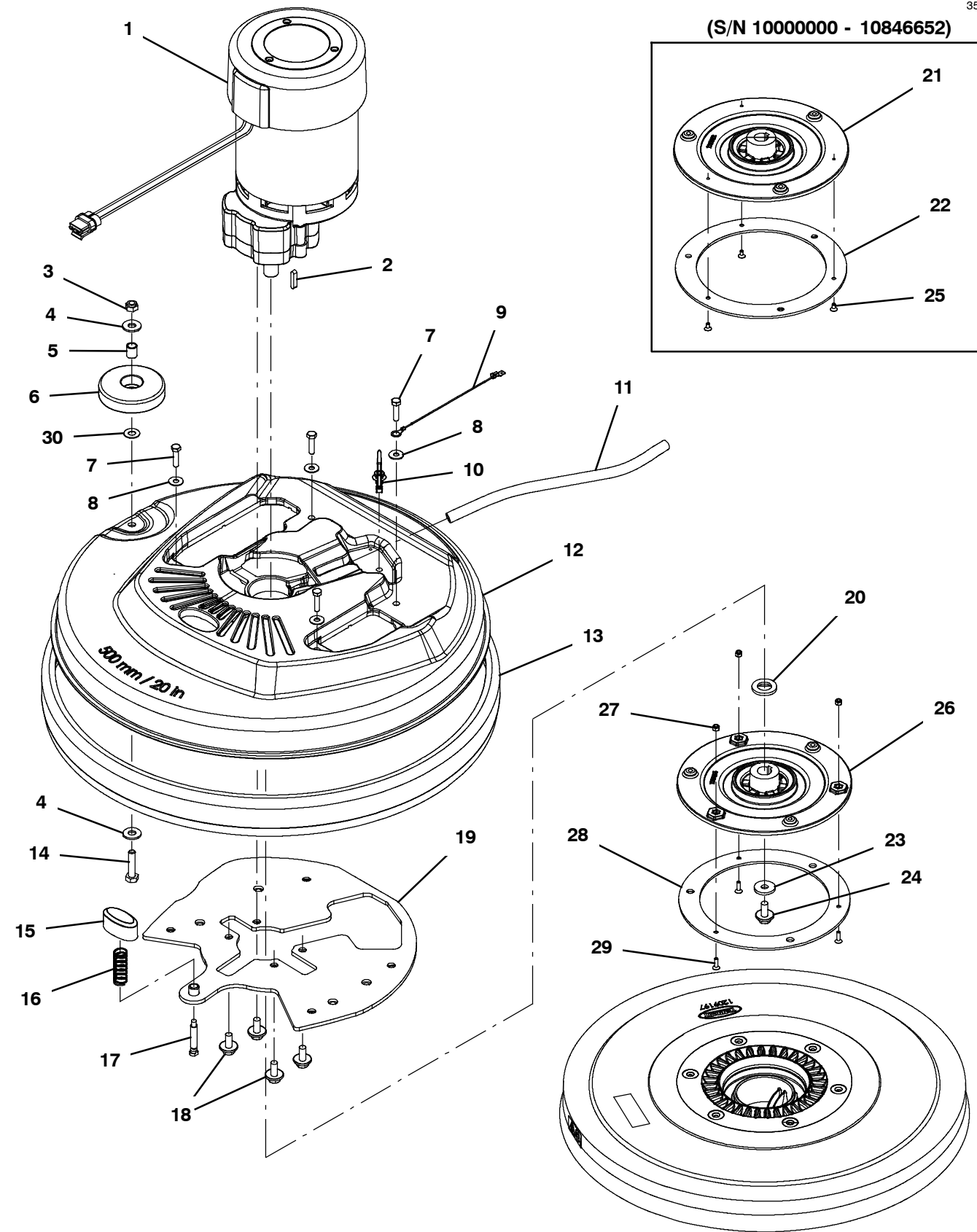
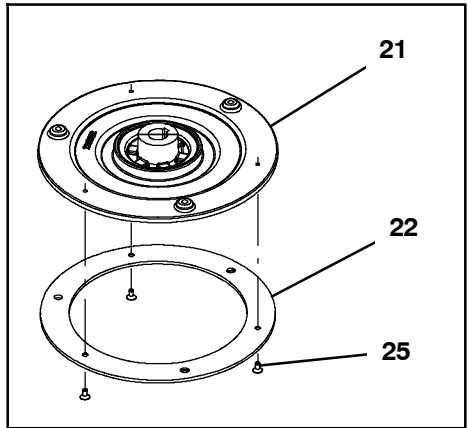
▽ ASSEMBLY

▲ INCLUDED IN ASSEMBLY

SCRUB HEAD GROUP, 50CM DISK, MAGNETIC HUB

355295

(S/N 10000000 - 10846652)



SCRUB HEAD GROUP, 50CM DISK, MAGNETIC HUB

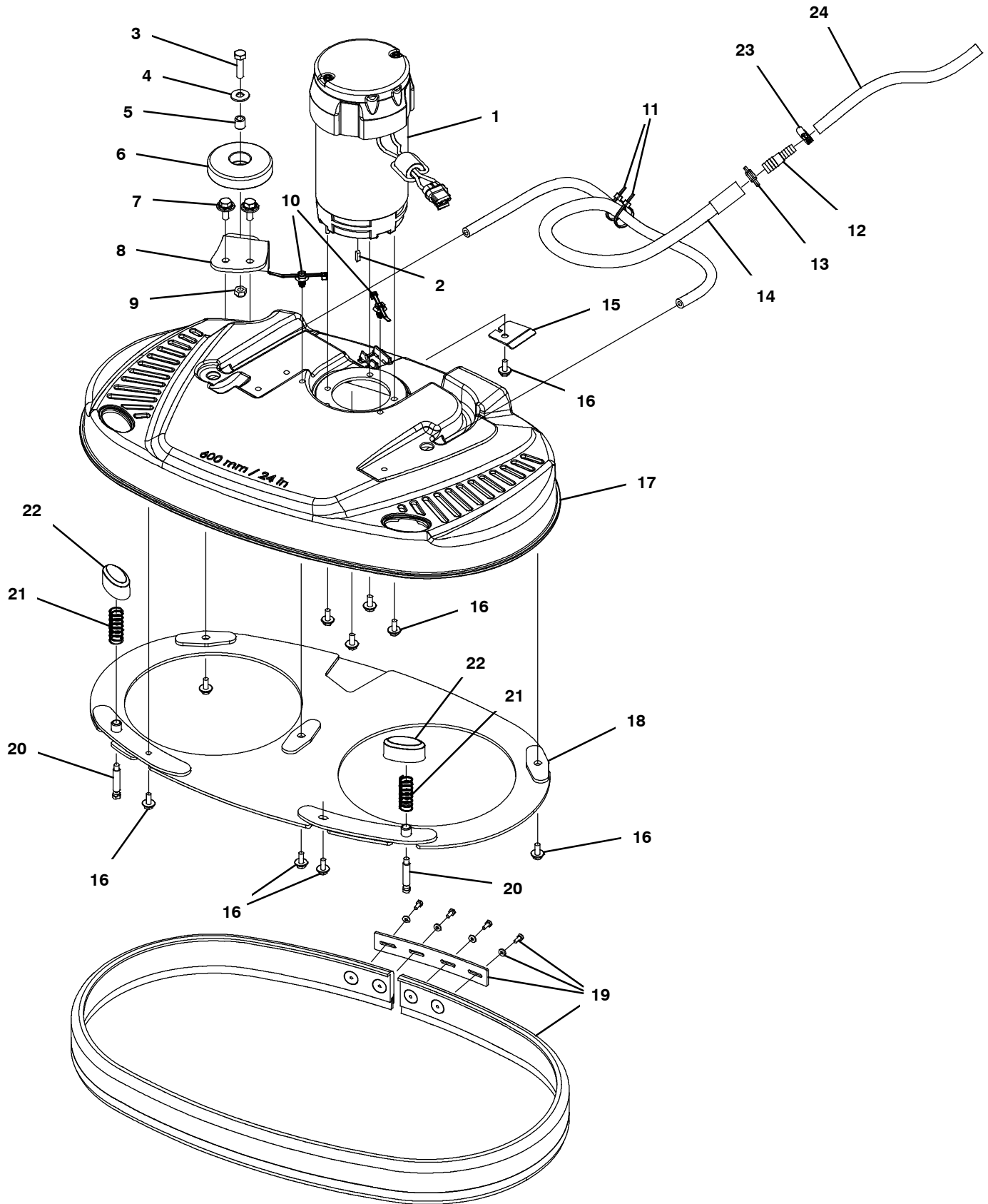
Ref.	Part No.	Serial Number	Description	Qty.
▽	1	1226976	(10834387- 20000000) Motor, Ele, 24vdc 0215rpm 650w, 17mm	1
▲		1227273	(10834387- 20000000) Vr, Brush Kit, Motor, Ele (4pc)	1
▲	2	1014328	(10000000- 20000000) Key, Sq, 05mm X 05mm, 25mml	1
▽	1	1210703	(10000000- 10834386) Motor, Ele, 24vdc 0200rpm 1.00hp, 17mm (Replaced By 9015159)	1
▲		222606	(10000000- 10834386) Vr, Brush Kit, Motor, Ele [lp] (4Pc) (For Imperial Motor - Frame #P56SG681)	1
▲		1045790	(10000000- 10834386) Brush Kit, Replmt,Carbon 24vdc[1pk=1set](4Pc) (For Sanrong Motor - Frame #56S)	1
▲	2	1014328	(10000000- 20000000) Key, Sq, 05mm X 05mm, 25mml	1
	3	08713	(10000000- 20000000) Nut, Hex, Lock, M8 X 1.25, NI, Ss	1
	4	01685	(10000000- 20000000) Washer, Flat, 0.38b 0.88d .08, Ss	2
	5	1027926	(10000000- 20000000) Sleeve, P/M, 0.38b 0.50d 0.6l [430ss]	1
	6	1010560	(10000000- 20000000) Wheel, Bmpr, 80d X 25w, Non- Marking	1
	7	1016005	(10000000- 20000000) Screw, Hex, M6 X 1.00 X 25, NI, FI, Ss	4
	8	01684	(10000000- 20000000) Washer, Flat, 0.27b 0.69d .05, Ss	4
	9	1074344	(10000000- 20000000) Harness, Ele [Ring With .250m Tail]	1
	10	1210807	(10000000- 20000000) Wire, Tie [W/.25" Fir Tree Clip]	1
	11	1014929	(10000000- 20000000) Hose, Afmkt, Pvc, Clr, 0.38id, 01ft	1
	12	1208041	(10000000- 20000000) Housing, Head, 50cm	1
	13	1055025	(10000000- 20000000) Bumper, Head, 50cm, W/ Bristle Skirt, Im	1
	14	09023	(10000000- 20000000) Screw, Hex, M8 X 1.25 X 35, FI, Ss	1
	15	1211242	(10000000- 20000000) Button, Plunger, Pad	1
	16	1212785	(10000000- 20000000) Spring, Cmpr, .66od, .05wir, 1.75l, Ss	1
	17	1211256	(10000000- 20000000) Pin, Stop, Long	1
	18	1020341	(10000000- 20000000) Screw, Hex, M8 X 1.25 X 20, Ss, Sems	4
	19	1223980	(10499417- 20000000) Plate Wldt, Head, Weighted	1
	19	1210590	(10000000- 10499416) Plate Wldt, Head, Weighted (Replaced By Kit 9014801)	1
	20	1022549	(10000000- 20000000) Spacer, Shaft, 17.15b 30.0d 3.0l, Ss	1
	21	1212312	(10000000- 10846652) Hub, Drive, Magnetic [Machined] (Replaced By 9015184)	1
	22	1205043	(10000000- 20000000) Ring, Hub, Magnetic	1
	23	1017218	(10000000- 20000000) Washer, Flat, 0.32b 1.00d .12, Ss	1
	24	1020341	(10000000- 20000000) Screw, Hex, M8 X 1.25 X 20, Ss, Sems	1
	25	630114	(10000000- 10846652) Screw, Flt, Phl, M4 X 0.70 X 8, 4.8	3
▽		9015184	(10846653- 20000000) Hub Kit, Drive, Magnetic [T300]	1
▲	26	1227654	(10846653- 20000000) Hub, Drive, Magnetic [Machined]	1
▲	27	33932	(10846653- 20000000) Nut, Hex, Lock, M4 X 0.70, NI, Ss	2
▲	28	1205043	(10000000- 20000000) Ring, Hub, Magnetic	1
▲	29	1227670	(10846653- 20000000) Screw, Flt, Soc, M4 X 0.70 X 14,18- 8, Ss	3
	30	140027	(10000000- 20000000) Washer, Flat, 0.35b 0.75d .04, Ss	1

▽ ASSEMBLY

▲ INCLUDED IN ASSEMBLY

SCRUB HEAD GROUP, 60CM DUAL DISK, MAGNETIC HUB

355820



SCRUB HEAD GROUP, 60CM DUAL DISK, MAGNETIC HUB

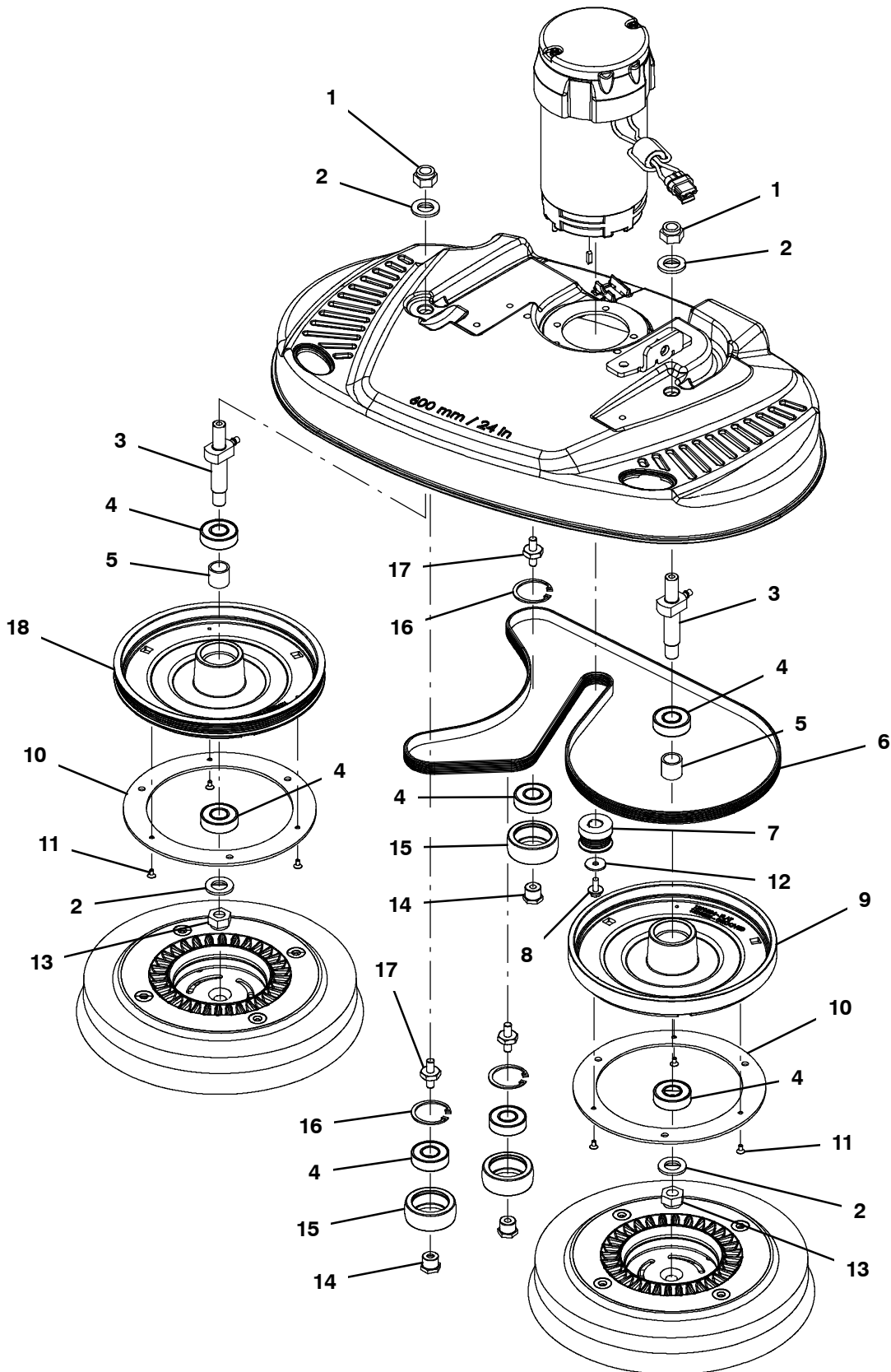
	Ref.	Part No.	Serial Number	Description	Qty.
▽	1	1227280	(10835313- 20000000)	Motor, 24vdc, 2000rpm, 7/8hp	1
▲		1059370	(10000000- 20000000)	Brush, Motor, Replmt [Bag Of 4]	1
▲	2	1217769	(10000000- 20000000)	Key, Sq, 04mm X 04mm, 15mml	1
▽	1	1210212	(10000000- 10835312)	Motor, 24vdc, 2000rpm, 7/8hp, Us (Replaced By 9015160)	1
▲		1059370	(10000000- 20000000)	Brush, Motor, Replmt [Bag Of 4]	1
▲	2	1217769	(10000000- 20000000)	Key, Sq, 04mm X 04mm, 15mml	1
	3	09011	(10000000- 20000000)	Screw, Hex, M8 X 1.25 X 30, Ss	1
	4	01685	(10000000- 20000000)	Washer, Flat, 0.38b 0.88d .08, Ss	1
	5	222460	(10000000- 20000000)	Sleeve, P/M, 0.32b 0.50d 0.5l [430ss]	1
	6	1010560	(10000000- 20000000)	Wheel, Bmpr, 80d X 25w, Non- Marking	1
	7	1020341	(10000000- 20000000)	Screw, Hex, M8 X 1.25 X 20, Ss, Sems	2
	8	1211506	(10000000- 20000000)	Bracket, Rlr, Wall, Scb Head	1
	9	08713	(10000000- 20000000)	Nut, Hex, Lock, M8 X 1.25, NI, Ss	1
	10	1210807	(10000000- 20000000)	Wire, Tie [W/.25" Fir Tree Clip]	2
	11	130773	(10000000- 20000000)	Tie, Cable, Nyl, 11.0l, .14w, 3.0 Max. D	2
	12	222375	(10000000- 20000000)	Fitting, Plstc, Str, Bm06/bm08	1
	13	607776	(10000000- 20000000)	Clamp, Hose, Wir, .73 - .77, Silver	1
	14	1216084	(10000000- 20000000)	Manifold, Distribution, Water, 60dd [Vw]	1
	15	1217752	(10000000- 20000000)	Bracket, Belt Guide	1
	16	1034731	(10000000- 20000000)	Screw, Hex, M6 X 1.00 X 16, Sems, Ss	10
	17	1211027	(10000000- 20000000)	Housing, Head, 60cm [Machined]	1
	18	1216346	(10000000- 20000000)	Bracket Wldt, Guard, Splash, 60cm	1
	19	9011849	(10000000- 20000000)	Bumper, Head, 60cm, Bristle Skirt	1
	20	1211907	(10000000- 20000000)	Pin, Stop, Short	2
	21	1212785	(10000000- 20000000)	Spring, Cmpr, .66od, .05wir, 1.75l, Ss	2
	22	1211242	(10000000- 20000000)	Button, Plunger, Pad	2
	23	43844	(10000000- 20000000)	Clamp, Hose, Wormdrive, 0.25- 0.62d, .31w	1
	24	1014929	(10000000- 20000000)	Hose, Afmkt, Pvc, Clr, 0.38id, 01ft	1

▽ ASSEMBLY

▲ INCLUDED IN ASSEMBLY

SCRUB HEAD GROUP, 60CM DUAL DISK, MAGNETIC HUB - CONT'D

355336

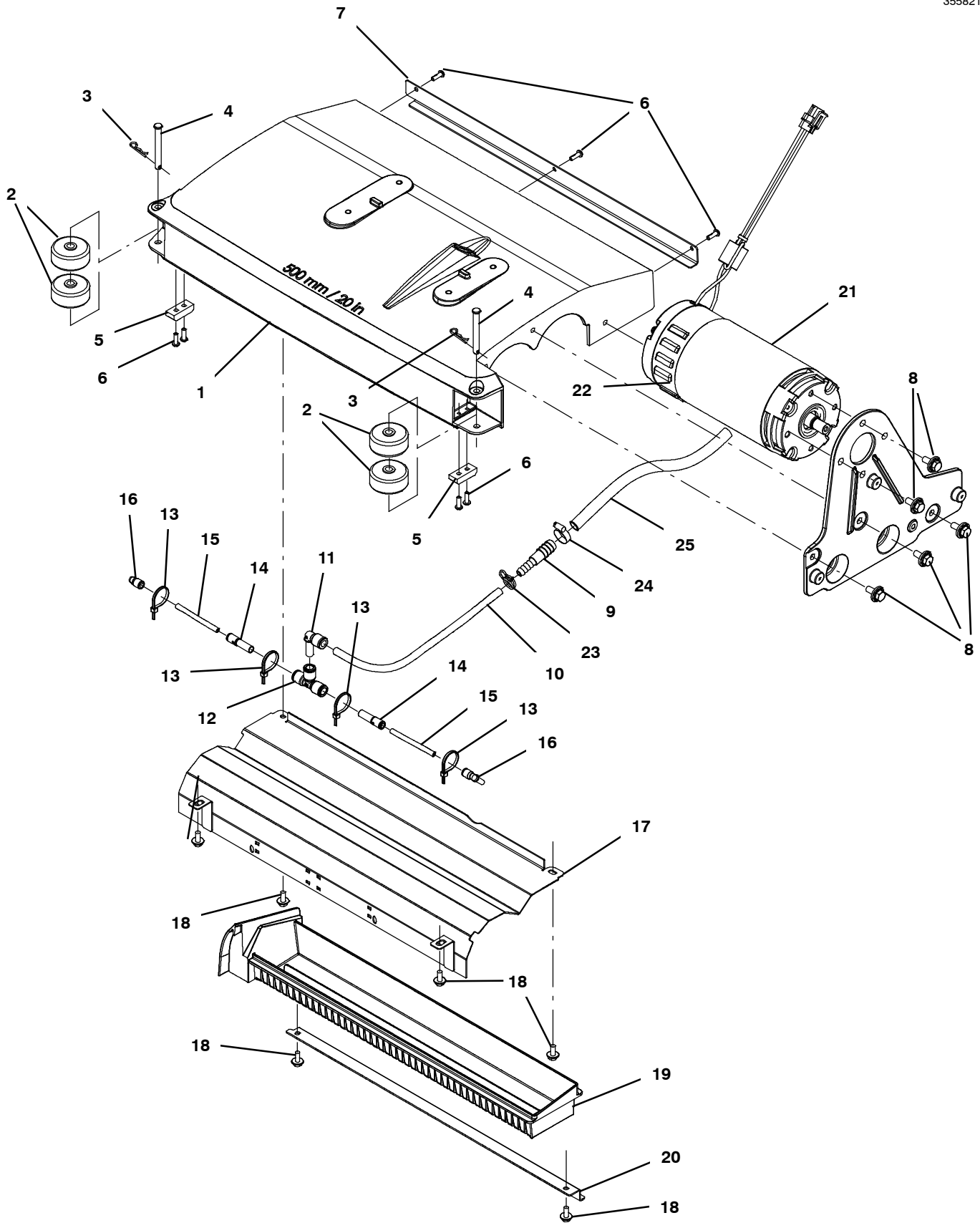


SCRUB HEAD GROUP, 60CM DUAL DISK, MAGNETIC HUB - CONT'D

Ref.	Part No.	Serial Number	Description	Qty.
1	41517	(10000000- 20000000)	Nut, Hex, Lock, M14 X 2.00, NI	2
2	1022549	(10000000- 20000000)	Spacer, Shaft, 17.15b 30.0d 3.0l, Ss	4
3	1214206	(10000000- 20000000)	Shaft Wldt, Mtg, Pulley	2
4	1211187	(10000000- 20000000)	Bearing, Ball, 0.67b 1.57d 0.47w [6203]	7
5	1011041	(10000000- 20000000)	Tube, 0.69id 0.87od 00.8l, Stl, PI	2
6	9022169	(10000000- 20000000)	Belt Kit, Disc Head, 600mm, Replmt	1
7	1213927	(10000000- 20000000)	Sheave, 06grv, 1.25pd 0.54b, Ss [Keyed]	1
8	1034731	(10000000- 20000000)	Screw, Hex, M6 X 1.00 X 16, Sems, Ss	1
9	1210504	(10000000- 20000000)	Hub, Drive, Magnetic, Flat, 60cm Dd	1
10	1205043	(10000000- 20000000)	Ring, Hub, Magnetic	2
11	630114	(10000000- 20000000)	Screw, Flt, Phl, M4 X 0.70 X 8, 4.8	6
12	019680127	(10000000- 20000000)	Washer, Flat, 6.2mm Id X 22.0mm Od X 1.9	1
13	41517	(10000000- 20000000)	Nut, Hex, Lock, M14 X 2.00, NI	2
14	1011008	(10000000- 20000000)	Spacer, Brg, Idler	3
15	1058514	(10000000- 20000000)	Pulley, Idler, 55d X 21w[60cm Dual Disk]	3
16	1013884	(10000000- 20000000)	Ring, Retaining, Int, 40mm, Ss	3
17	1211624	(10000000- 20000000)	Stud, M8 X 1.25, Dbl End W/Hex, Ss	3
18	1210503	(10000000- 20000000)	Hub, Drive, Magnetic, Grooved, 60cm Dd	1

SCRUB HEAD GROUP, 50CM CYLINDRICAL

355821



SCRUB HEAD GROUP, 50CM CYLINDRICAL

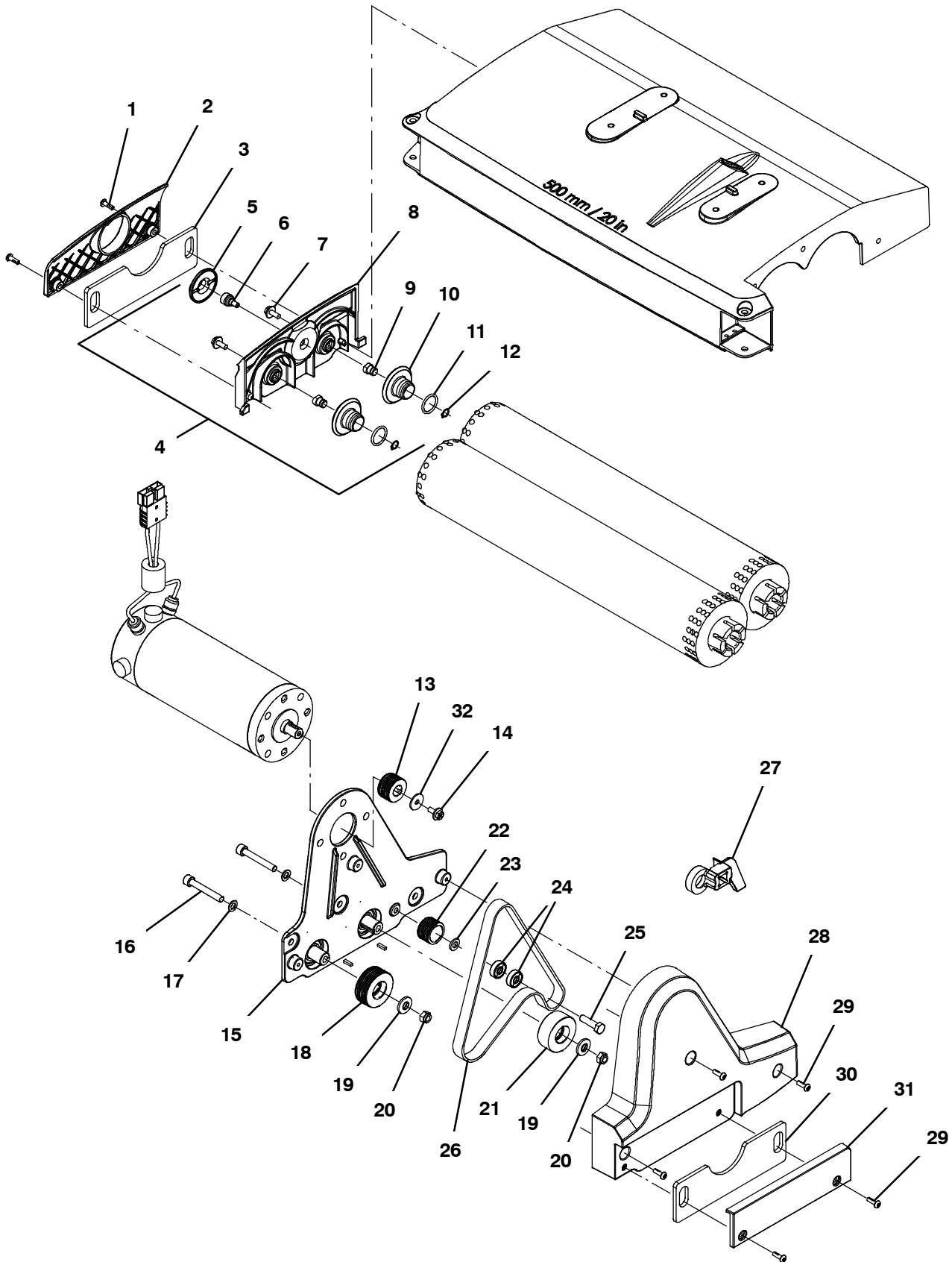
Ref.	Part No.	Serial Number	Description	Qty.	
1	1212265	(10000000-20000000)	Housing, Brush, Dbl 50cm [Machined]	1	
2	630477	(10000000-20000000)	Wheel, Pyu, 02.0d 0.38w, Gray	4	
3	1216647	(10000000-20000000)	Pin, Cotter, Hair, 0.38d .054 Wir	2	
4	391179	(10000000-20000000)	Pin, Clevis, 0.37d X 2.62l	2	
5	1215675	(10000000-20000000)	Skid, Brush Housing	2	
6	1205799	(10000000-20000000)	Screw, Btn, M5 X 0.8 X 16, 8.8, NI, Torx	7	
7	1213708	(10000000-20000000)	Bracket, Tray, Debris	1	
8	1020341	(10000000-20000000)	Screw, Hex, M8 X 1.25 X 20, Ss, Sems	7	
9	1039557	(10000000-20000000)	Fitting, Plstc, Str, Bm04/Bm06	1	
10	1014986	(10000000-20000000)	Hose, Afmkt, Pvc, Clr, 0.25id, 02ft	1	
11	1215186	(10000000-20000000)	Fitting, Plstc, E90, Qf06/Qm06	1	
12	1212573	(10000000-20000000)	Fitting, Plstc, Tee, Qf06/Qf06/Qf06	1	
13	130773	(10000000-20000000)	Tie, Cable, Nyl, 11.0l, .14w, 3.0 Max. D	4	
14	1212934	(10000000-20000000)	Fitting, Plstc, Str, Qf04/Qm06	2	
15	160827	(10000000-20000000)	Hose, Pvc, Clr, 0.12id 0.25od 010.5l	1	
16	1214339	(10000000-20000000)	Fitting, Plstc, E90, Qfo4/Qm04	2	
17	1219486	(10000000-20000000)	Panel Wldt, Brush	1	
18	1034731	(10000000-20000000)	Screw, Hex, M6 X 1.00 X 16, Sems, Ss	6	
19	1213706	(10000000-20000000)	Tray, Debris, 500mm [lm]	1	
20	1213707	(10000000-20000000)	Bracket, Tray, Debris	1	
▽	21	1210202	(10000000-20000000)	Motor, Ele, 24vdc [Vw Cyl]	1
▲		1217769	(10000000-20000000)	Key, Sq, 04mm X 04mm, 15mml	1
▲	22	1059370	(10000000-20000000)	Brush, Motor, Replmt [Bag Of 4]	1
	23	613735	(10000000-20000000)	Clamp, Hose, Wir, .40 - .42, Yel	1
	24	43844	(10000000-20000000)	Clamp, Hose, Wormdrive, 0.25- 0.62d, .31w	1
	25	1014929	(10000000-20000000)	Hose, Afmkt, Pvc, Clr, 0.38id, 01ft	1

▽ ASSEMBLY

▲ INCLUDED IN ASSEMBLY

SCRUB HEAD GROUP, 50CM CYLINDRICAL - CONT'D

355298



SCRUB HEAD GROUP, 50CM CYLINDRICAL - CONT'D

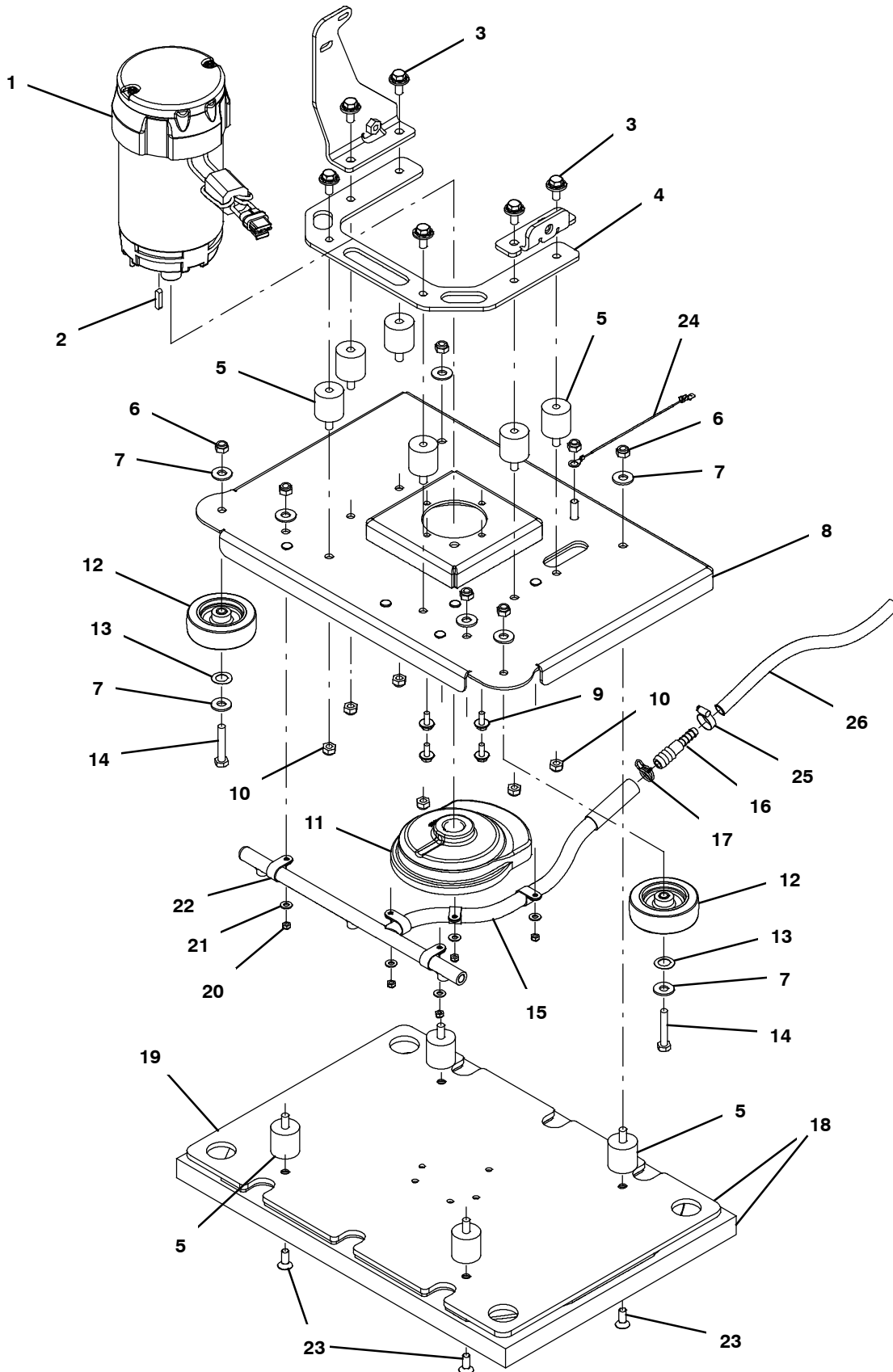
Ref.	Part No.	Serial Number	Description	Qty.
	1	1205799	(10000000-20000000) Screw, Btn, M5 X 0.8 X 16, 8.8, NI, Torx	2
	2	1216689	(10000000-20000000) Cover, Skirt, Cyl Door	1
	3	1215666	(10000000-20000000) Skirt, Side, Cyl, Floating	1
▽	4	9014168	(10000000-20000000) Door Assy, Brush	1
▲	5	1215581	(10000000-20000000) Cap, Screw	1
▲	6	1062149	(10000000-20000000) Knob, Rnd, 0.58d 0.50l, .25-20x.50l Stud	1
▲	7	1034731	(10000000-20000000) Screw, Hex, M6 X 1.00 X 16, Sems, Ss	2
▲	8	1212250	(10000000-20000000) Door, Brush [Machined]	1
▲	9	1030682	(10000000-20000000) Shaft, Idler Plug	2
▲	10	1030680	(10000000-20000000) Hub, Idler, Brush	2
▲	11	1220596	(10000000-20000000) Seal, Org, .139 X .859 Id, 212	2
▲	12	01543	(10000000-20000000) Ring, Retaining, Ext, 0.39d, Basic	2
	13	1210116	(10000000-20000000) Sheave, Motor, 07grv 1.3pd 0.50b [Pj]	1
	14	1034731	(10000000-20000000) Screw, Hex, M6 X 1.00 X 16, Sems, Ss	1
▽	15	9014167	(10000000-20000000) Brkt Assy, Motor, Sgl Mount (Also includes Hubs, Bearings and Seals Not Available Separately)	1
▲	16	1057476	(10000000-20000000) Screw, Soc, M8 X 1.25 X 55, Ss	2
▲	17	1057482	(10000000-20000000) Washer, Flat, 0.33b 0.57d 0.06, Ss	2
▲	18	1210204	(10000000-20000000) Sheave, Drive, Grvd 07grv, 2.0pd 0.67b [1
▲	19	41186	(10000000-20000000) Washer, Flat, Belleville, .31	2
▲	20	08713	(10000000-20000000) Nut, Hex, Lock, M8 X 1.25, NI, Ss	2
▲	21	1210232	(10000000-20000000) Sheave, Drive, Smooth 2.0pd 0.67b	1
▲	22	1210233	(10000000-20000000) Sheave, Idler, 07grv 1.2pd 0.87b [Pj]	1
▲	23	1216289	(10000000-20000000) Spacer, Pulley, 2cyl, Pm [Vw]	1
▲	24	1027651	(10000000-20000000) Bearing, Ball, 8mmb X 22mmd X 7mmw	2
▲	25	1016399	(10000000-20000000) Screw, Hex, M8 X 1.25 X 30, NI, Ss	1
▲▽	9014166	(10000000-20000000) Kit, Belt, Motor (Includes Belt & Installation Tool)	1	
▲▲	26	1209587	(10000000-20000000) Belt, Motor [Vw Single Motor]	1
▲▲	27	1213132	(10000000-20000000) Tool, Installation, Belt	1
	28	1209594	(10000000-20000000) Cover, Belt	1
	29	1205799	(10000000-20000000) Screw, Btn, M5 X 0.8 X 16, 8.8, NI, Torx	5
	30	1215666	(10000000-20000000) Skirt, Side, Cyl, Floating	1
	31	1216728	(10000000-20000000) Cover, Skirt, Cyl Head	1
	32	019680127	(10000000-20000000) Washer, Flat, 6.2mm Id X 22.0mm Od X 1.9	1

▽ ASSEMBLY

▲ INCLUDED IN ASSEMBLY

SCRUB HEAD GROUP, 50CM ORBITAL

355822



SCRUB HEAD GROUP, 50CM ORBITAL

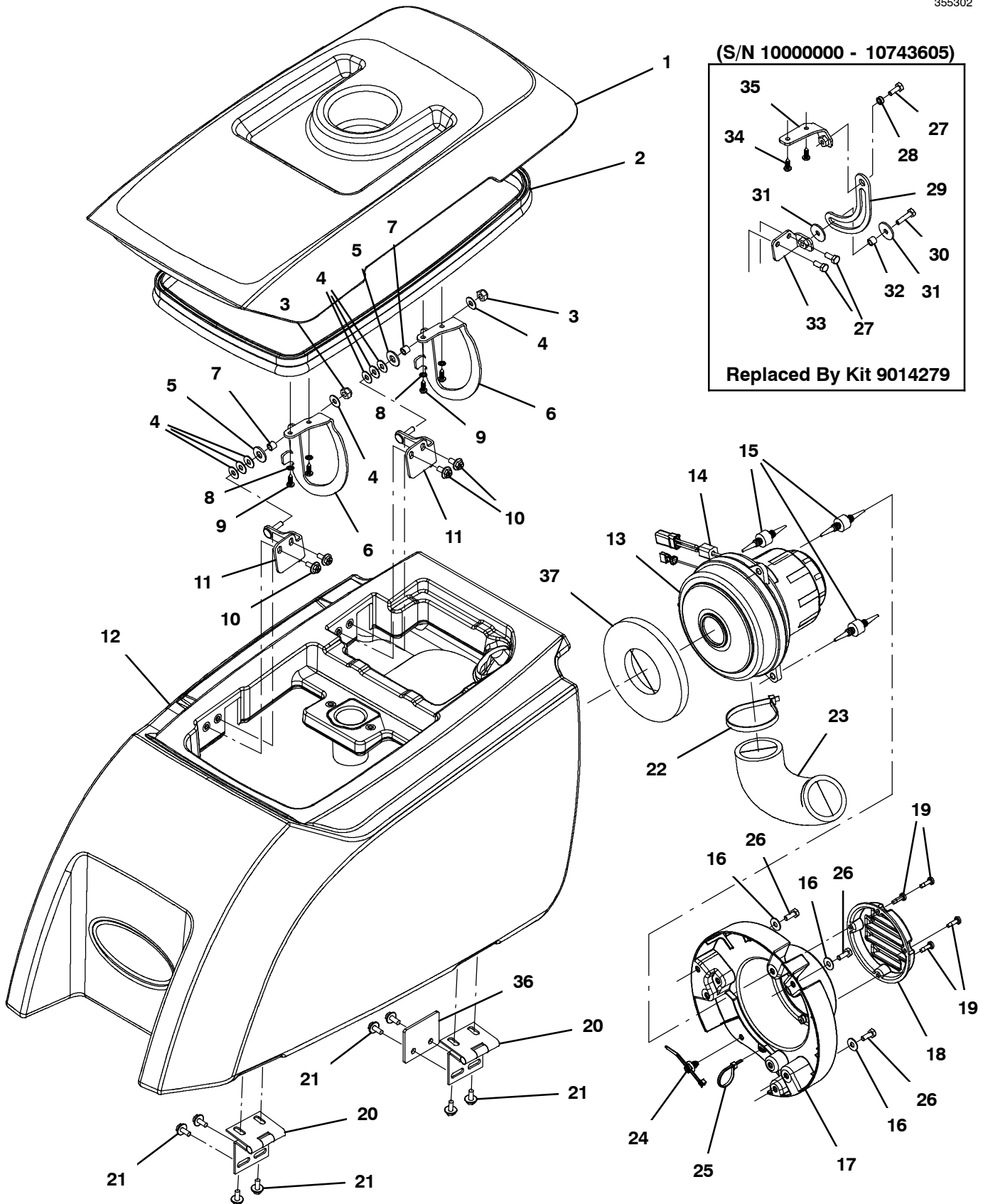
Ref.	Part No.	Serial Number	Description	Qty.
▽	1	1226909	(10827598- 20000000) Motor, Ele, 24vdc, 2200rpm, .6hp, 22mm	1
▲		1059370	(10000000- 20000000) Brush, Motor, Replmt [Bag Of 4]	1
▲	2	1014328	(10000000- 20000000) Key, Sq, 05mm X 05mm, 25mml	1
▽	1	1212669	(10000000- 10827597) Motor, Ele, 24vdc, 2200rpm, .6hp, 22mm (Replaced By 9015162)	1
▲		1059370	(10000000- 20000000) Brush, Motor, Replmt [Bag Of 4]	1
▲	2	1014328	(10000000- 20000000) Key, Sq, 05mm X 05mm, 25mml	1
	3	1020341	(10000000- 20000000) Screw, Hex, M8 X 1.25 X 20, Ss, Sems	6
	4	1209745	(10000000- 20000000) Plate, Mtg, Head [50cm Orb]	1
	5	1212543	(10000000- 20000000) Isolator, Neoprene, 1.25" X 1.25", M8	10
	6	08713	(10000000- 20000000) Nut, Hex, Lock, M8 X 1.25, NI, Ss	6
	7	01685	(10000000- 20000000) Washer, Flat, 0.38b 0.88d .08, Ss	8
	8	1212527	(10000000- 20000000) Deck Wldt, Scrbr [Volga Wet]	1
	9	1034731	(10000000- 20000000) Screw, Hex, M6 X 1.00 X 16, Sems, Ss	4
	10	08713	(10000000- 20000000) Nut, Hex, Lock, M8 X 1.25, NI, Ss	6
	11	9014175	(10000000- 20000000) Kit, Eccentric Assy, [T300] (See Breakdowns)	1
	12	1014918	(10000000- 20000000) Wheel, 03.0d 0.88w 0.31b, W/ Bshg, Rbr	2
	13	1210221	(10000000- 20000000) Washer, Wave, .515b, .875d, .013, Ss	2
	14	222505	(10000000- 20000000) Screw, Hex, M8 X 1.25 X 45, Ss	2
	15	1212468	(10000000- 20000000) Manifold, Distribution, Water, Orb [Vw]	1
	16	222375	(10000000- 20000000) Fitting, Plstc, Str, Bm06/bm08	1
	17	607776	(10000000- 20000000) Clamp, Hose, Wir, .73 - .77, Silver	1
▽	18	9014189	(10000000- 20000000) Kit, Afmkt, Pad Driver [T300]	1
▲	19	1212615	(10000000- 20000000) Face, Pad Driver [Volga Wet]	1
	20	09739	(10000000- 20000000) Nut, Hex, Lock, M5 X 0.80, NI, Ss	5
	21	01683	(10000000- 20000000) Washer, Flat, 10, Ss	5
	22	140916	(10000000- 20000000) Clamp, Cable, Nyl, 0.62d, Nat	5
	23	1218926	(10000000- 20000000) Screw, Flt, Soc, M8 X 1.25 X 14, Ss	4
	24	1074344	(10000000- 20000000) Harness, Ele [Ring With .250m Tail]	1
	25	43844	(10000000- 20000000) Clamp, Hose, Wormdrive, 0.25- 0.62d, .31w	1
	26	1014929	(10000000- 20000000) Hose, Afmkt, Pvc, Clr, 0.38id, 01ft	1

▽ ASSEMBLY

▲ INCLUDED IN ASSEMBLY

RECOVERY TANK GROUP, STANDARD MODEL

355302



RECOVERY TANK GROUP, STANDARD MODEL

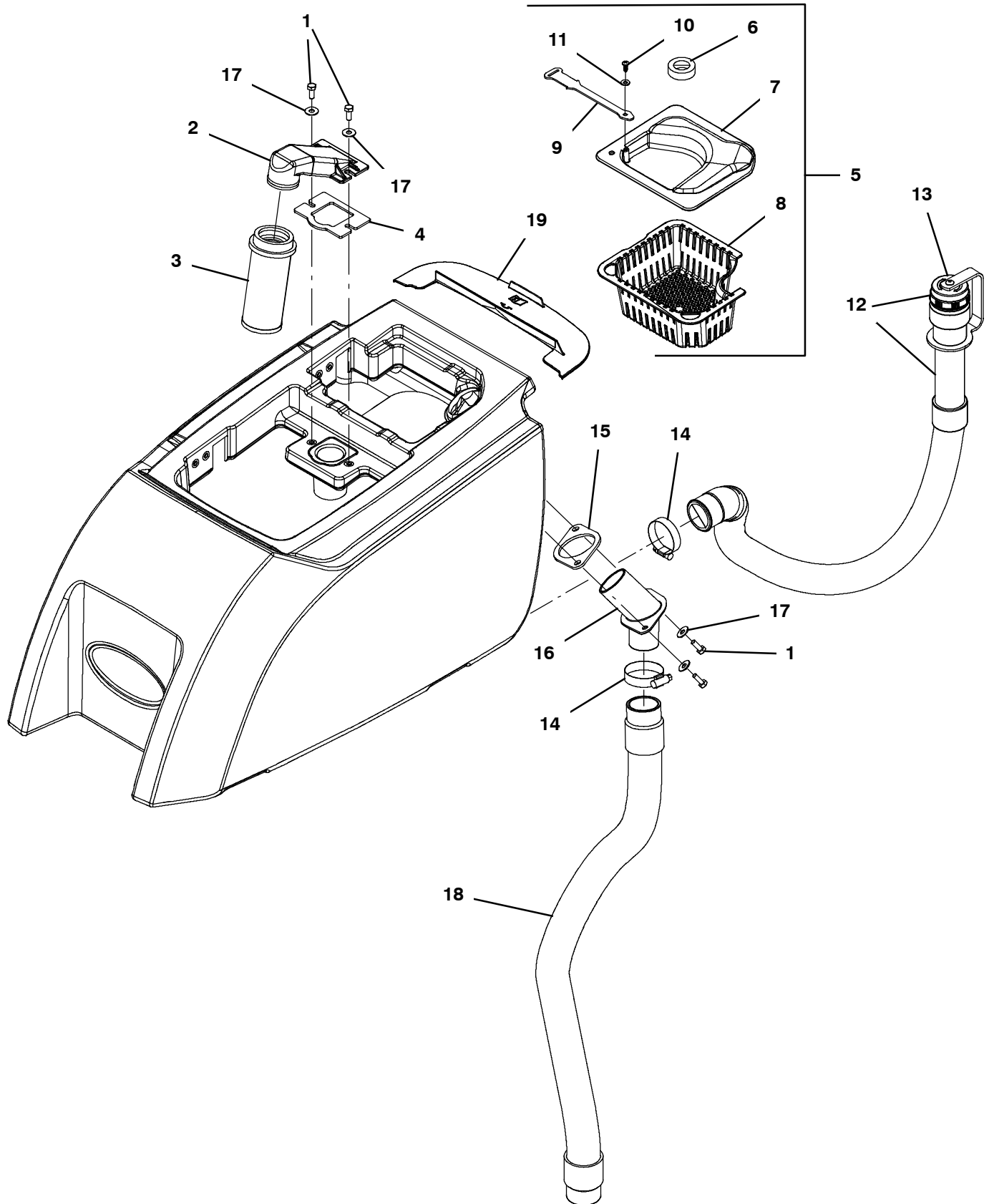
	Ref.	Part No.	Serial Number	Description	Qty.
▽	1	9014682	(10000000- 20000000)	Kit, Cover, Recvy, Ci [Na]	1
▽	1	9014683	(10000000- 20000000)	Kit, Cover, Recvy, Ci [Jp]	1
▲	2	1210472	(10000000- 20000000)	Seal, Afmkt, Bulb, 0.50d .13grip, 05ft	1
	3	08712	(10743605- 20000000)	Nut, Hex, Lock, M6 X 1.00, NI, Ss	2
	4	01684	(10743605- 20000000)	Washer, Flat, 0.27b 0.69d .05, Ss	8
	5	1231213	(10743605- 20000000)	Washer, Flat, 0.39b 1.00d .02, Ss	2
	6	1219440	(10743605- 20000000)	Hinge, Goose Neck	2
	7	80491	(10743605- 20000000)	Sleeve, P/M, 0.25b 0.38d 0.2l [430ss]	2
	8	07514	(10743605- 20000000)	Washer, Lock, Int, 10, Ss	4
	9	1018155	(10743605- 20000000)	Screw, Pan, Phl, M5 X 0.80 X 16, Tcut,Ss	4
	10	1034731	(10743605- 20000000)	Screw, Hex, M6 X 1.00 X 16, Sems, Ss	4
	11	1219473	(10743605- 20000000)	Hinge, Mount, Wldt	2
	12	9014150	(10000000- 20000000)	Kit, Tank, Recvy, W/Labels [T300]	1
▽	13	1226905	(10000000- 20000000)	Fan, Vacuum, 6.6d, 024vdc, 2 Stage	1
▲		1206774	(10000000- 20000000)	Vr, Brush Kit, Motor, Fan (1 Pkg = 2 Pcs)	1
▲	14	1052126	(10000000- 20000000)	Inductor, 12.7mmid [156 Imp At 25mhz]	1
	15	1062016	(10000000- 20000000)	Isolator, Vib, .75d	3
	16	01684	(10000000- 20000000)	Washer, Flat, 0.27b 0.69d .05, Ss	3
	17	1207368	(10000000- 20000000)	Mount, Vacfan, 5.7/6.6	1
	18	1209342	(10000000- 20000000)	Cover, Inlet, Vac, Vented	1
	19	1043573	(10000000- 20000000)	Screw, #10- 14 X 0.675, Spl[Shcs,Selftap]	4
	20	1209466	(10000000- 20000000)	Hinge, 6mm Pin 2.5 73.5mmw 60.0mml, Bent	2
	21	1034731	(10000000- 20000000)	Screw, Hex, M6 X 1.00 X 16, Sems, Ss	8
	22	130773	(10000000- 20000000)	Tie, Cable, Nyl, 11.0l, .14w, 3.0 Max. D	2
	23	1068577	(10000000- 20000000)	Muffler, Exhaust, Vacfan, 150mml [T2/T3]	1
	24	1210807	(10000000- 20000000)	Wire, Tie [W/.25" Fir Tree Clip]	1
	25	130773	(10000000- 20000000)	Tie, Cable, Nyl, 11.0l, .14w, 3.0 Max. D	1
	26	11329	(10000000- 20000000)	Screw, Hex, M6 X 1.00 X 16, NI, Ss	3
	27	11329	(10000000- 10743604)	Screw, Hex, M6 X 1.00 X 16, NI, Ss	6
	28	80491	(10000000- 10743604)	Sleeve, P/M, 0.25b 0.38d 0.2l [430ss]	2
	29	1210250	(10000000- 10743604)	Plate, Slide, Hinge (Replace By Kit 9014279)	2
	30	1016005	(10000000- 10743604)	Screw, Hex, M6 X 1.00 X 25, NI, Fl, Ss	2
	31	140003	(10000000- 10743604)	Washer, Flat, 0.25b 1.00d .06, Ss, Fendr	4
	32	140154	(10000000- 10743604)	Sleeve, P/M, 0.25b 0.38d 0.3l, PI	2
	33	1210471	(10000000- 10743604)	Bracket Wldt, Hinge, Fixed (Replace By Kit 9014279)	2
	34	1210469	(10000000- 10743604)	Bracket Wldt, Hinge (Replace By Kit 9014279)	2
	35	1018155	(10000000- 10743604)	Screw, Pan, Phl, M5 X 0.80 X 16, Tcut,Ss	4
	36	1220553	(10000000- 20000000)	Plate, Hinge, Doubler	1
	37	100038	(10000000- 20000000)	Gasket, .50, 02.63id 05.75od, Adh [Epdm]	1

▽ ASSEMBLY

▲ INCLUDED IN ASSEMBLY

RECOVERY TANK FILTER AND HOSE GROUP, PINCH CUFF SCREW CAP

355753



RECOVERY TANK FILTER AND HOSE GROUP, PINCH CUFF SCREW CAP

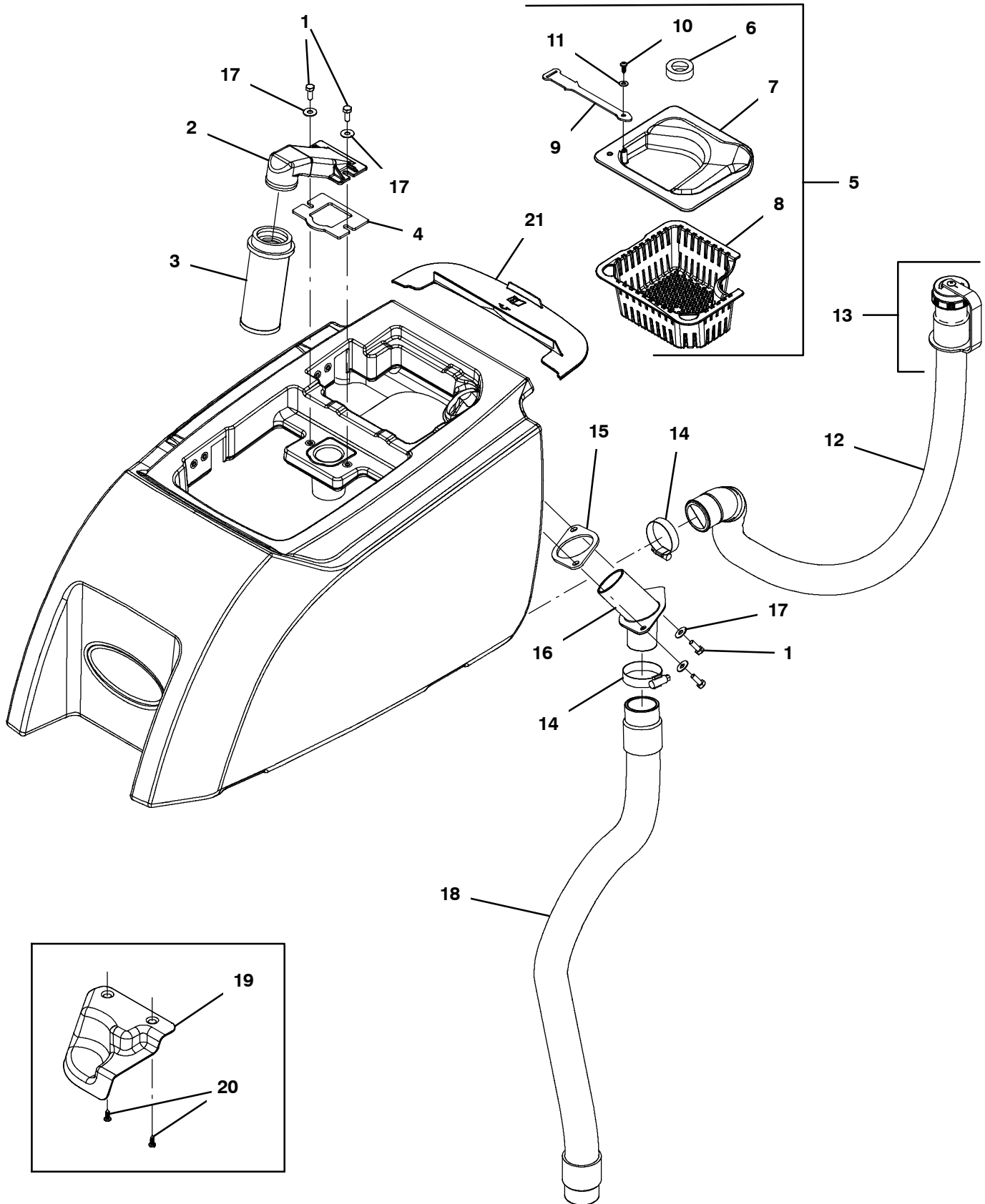
Ref.	Part No.	Serial Number	Description	Qty.	
1	11329	(10000000- 20000000)	Screw, Hex, M6 X 1.00 X 16, NI, Ss	4	
2	1011777	(10000000- 20000000)	Mount, Float, Mold	1	
3	630052	(10000000- 20000000)	Float, Shut- Off, (2)Ball, 1.75d	1	
4	1013628	(10000000- 20000000)	Gasket, Mtg, Float, .125th, Neo, Adh	1	
▽	5	9014872	(10785189- 20000000)	Kit, Deflector, Tray, Debris, Ci, [T300]	1
▲	6	1225187	(10785189- 20000000)	Seal, Rbr, Clsd, 12.7 Th , 24.0ld, 40.0Od	1
▲	7	1224899	(10785189- 20000000)	Deflector, Tray, Debris	1
▲	8	1207357	(10000000- 20000000)	Tray, Debris, Tank, Recvy [T300]	1
▲	9	1225172	(10785189- 20000000)	Strap, Retaining, Deflector, 150.0L	1
▲	10	1018155	(10785189- 20000000)	Screw, Pan, Phl, M5 X 0.80 X 16, Tcut,Ss	1
▲	11	01683	(10785189- 20000000)	Washer, Flat, 10, Ss	1
▽	12	1251388	(10988543- 20000000)	Hose Assy, Drain, 1.5id X 13.0l [Pvc] (Black - Standard)	1
▲	13	1218955	(10988543- 20000000)	Cap, Drain Assy [Black]	1
▽	12	1246719	(10949064- 10988542)	Hose Assy, Drain, 1.5id X 21.9l [Pu] (Gray - Option) (NLA - Replaced By 1251388)	1
▲	13	1219134	(10000000- 10988542)	Cap, Drain Assy [Gray]	1
14	11531	(10000000- 20000000)	Clamp, Hose, Wormdrive, 1.06- 2.00d, .56w	2	
15	1037106	(10000000- 20000000)	Gasket, Adapter, Hose .13, Neo	1	
16	1207196	(10000000- 20000000)	Tube, Hose, Adapter, 1.5d [T300]	1	
17	01684	(10000000- 20000000)	Washer, Flat, 0.27b 0.69d .05, Ss	4	
18	1211220	(10988543- 20000000)	Hose Assy,W/2cuff,1.5d 022l 1.5/1.5[Pvc] (Black - Standard)	1	
18	1204663	(10000000- 10988542)	Hose Assy, W/2cuff,1.5d 031l 1.5/1.5[Pu] (Gray - Option) (No Longer Available - Replaced By 1211220 - Black Standard PVC)	1	
19	9014905	(10786729- 20000000)	Cover Kit, Circuitbreaker, Ci[T300/E/Ss]	1	

▽ ASSEMBLY

▲ INCLUDED IN ASSEMBLY

RECOVERY TANK FILTER AND HOSE GROUP, STANDARD SCREW CAP

355303



RECOVERY TANK FILTER AND HOSE GROUP, STANDARD SCREW CAP

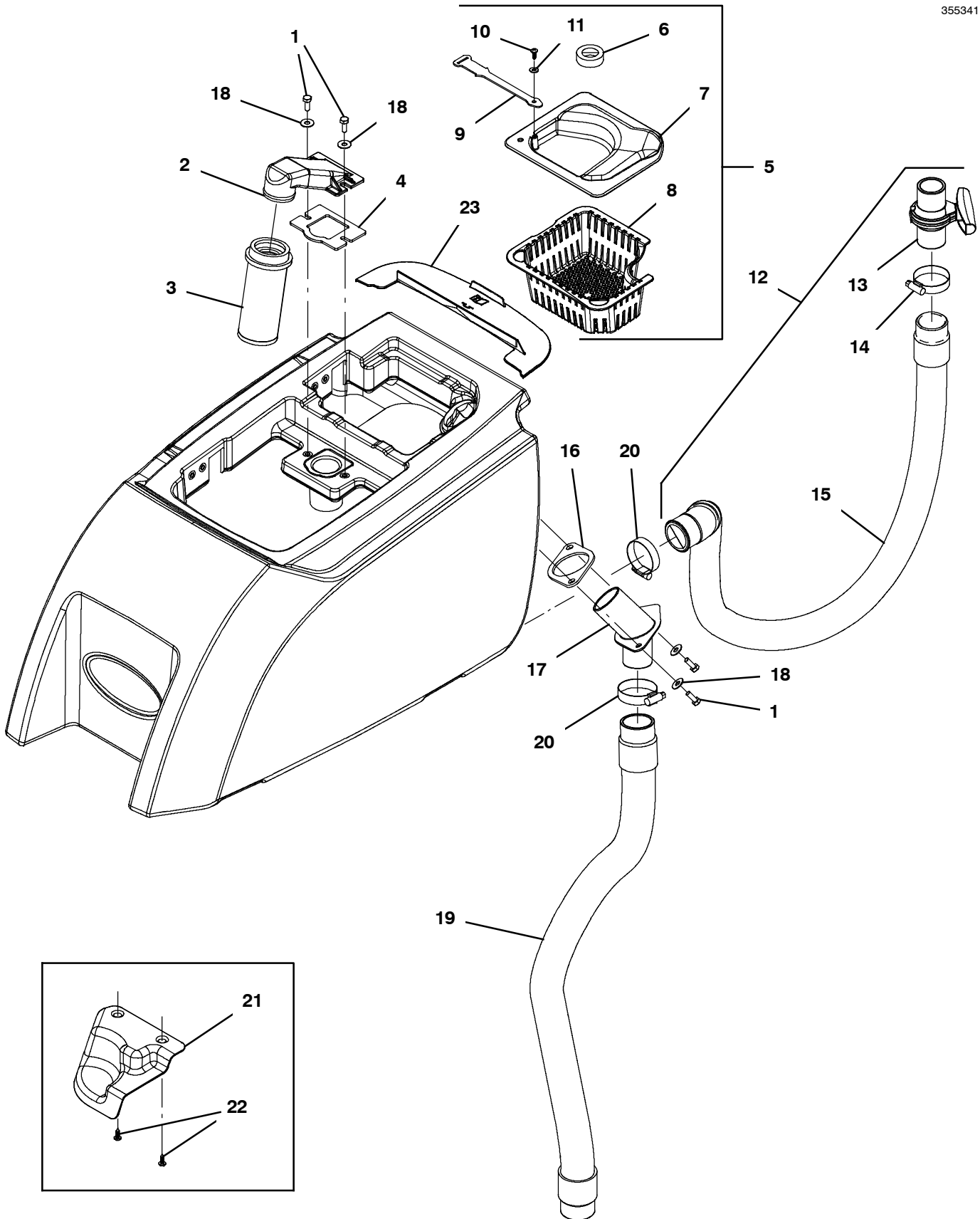
Ref.	Part No.	Serial Number	Description	Qty.
1	11329	(10000000- 20000000)	Screw, Hex, M6 X 1.00 X 16, NI, Ss	4
2	1011777	(10000000- 20000000)	Mount, Float, Mold	1
3	630052	(10000000- 20000000)	Float, Shut- Off, (2)Ball, 1.75d	1
4	1013628	(10000000- 20000000)	Gasket, Mtg, Float, .125th, Neo, Adh	1
▽	5	9014872	(10785189- 20000000) Kit, Deflector, Tray, Debris, Ci, [T300]	1
▲	6	1225187	(10785189- 20000000) Seal, Rbr, Clsd, 12.7 Th , 24.0ld, 40.0Od	1
▲	7	1224899	(10785189- 20000000) Deflector, Tray, Debris	1
▲	8	1207357	(10000000- 20000000) Tray, Debris, Tank, Recvy [T300]	1
▲	9	1225172	(10785189- 20000000) Strap, Retaining, Deflector, 150.0L	1
▲	10	1018155	(10785189- 20000000) Screw, Pan, Phl, M5 X 0.80 X 16, Tcut,Ss	1
▲	11	01683	(10785189- 20000000) Washer, Flat, 10, Ss	1
▽	12	1213010	(10000000- 10988542) Hose Assy, Drain, 1.5d 017l 1.5/Cap[Pvc] (Black - Standard) (Black Pinch Cuff Screw Cap 1251388)	1
▲	13	1218955	(10000000- 20000000) Cap, Drain Assy [Black]	1
▽	12	1213008	(10000000- 10949063) Hose Assy, Drain, 1.5d 025l 1.5/Cap [Pu] (Gray - Option) (No Longer Available - Replaced by Black Pinch Cuff Screw Cap 1251388)	1
▲	13	1219134	(10000000- 10988542) Cap, Drain Assy [Gray]	1
14	11531	(10000000- 20000000)	Clamp, Hose, Wormdrive, 1.06- 2.00d, .56w	2
15	1037106	(10000000- 20000000)	Gasket, Adapter, Hose .13, Neo	1
16	1207196	(10000000- 20000000)	Tube, Hose, Adapter, 1.5d [T300]	1
17	01684	(10000000- 20000000)	Washer, Flat, 0.27b 0.69d .05, Ss	4
18	1211220	(10000000- 20000000)	Hose Assy,W/2cuff,1.5d 022l 1.5/1.5[Pvc] (Black - Standard)	1
18	1204663	(10000000- 10988542)	Hose Assy, W/2cuff,1.5d 031l 1.5/1.5[Pu] (Gray - Option) (No Longer Available - Replaced By 1211220 - Black Standard PVC)	1
19	1210214	(10000000- 10785188)	Deflector, Water, Recvy (Replaced By 9014872)	1
20	1018155	(10000000- 10785188)	Screw, Pan, Phl, M5 X 0.80 X 16, Tcut,Ss	2
21	9014905	(10786729- 20000000)	Cover Kit, Circuitbreaker, Ci[T300/E/Ss]	1

▽ ASSEMBLY

▲ INCLUDED IN ASSEMBLY

RECOVERY TANK FILTER AND HOSE GROUP, CONTROL VALVE

355341



RECOVERY TANK FILTER AND HOSE GROUP, CONTROL VALVE

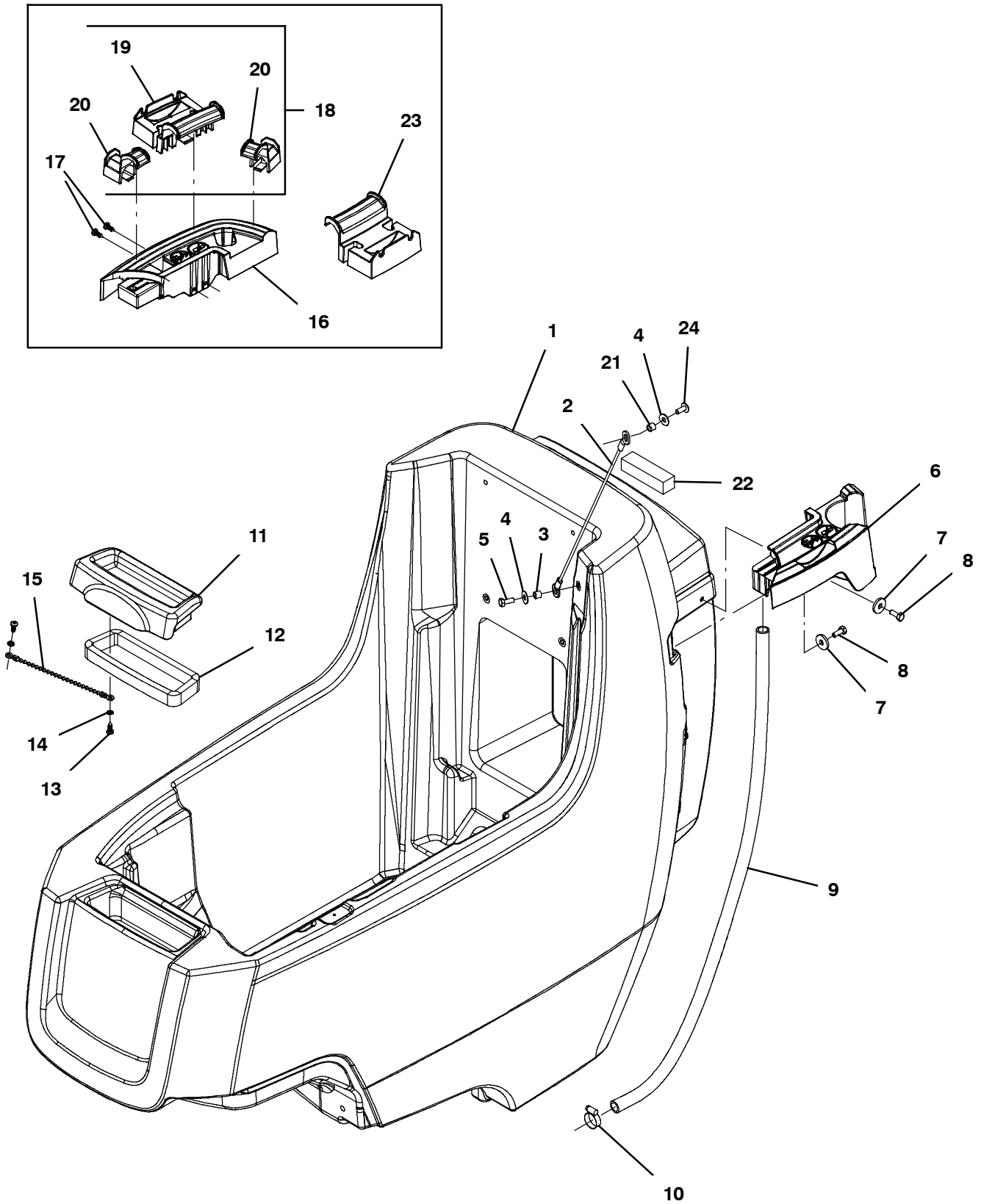
Ref.	Part No.	Serial Number	Description	Qty.
1	11329	(10000000- 20000000)	Screw, Hex, M6 X 1.00 X 16, NI, Ss	4
2	1011777	(10000000- 20000000)	Mount, Float, Mold	1
3	630052	(10000000- 20000000)	Float, Shut- Off, (2)Ball, 1.75d	1
4	1013628	(10000000- 20000000)	Gasket, Mtg, Float, .125th, Neo, Adh	1
▽	5	9014872	(10785189- 20000000) Kit, Deflector, Tray, Debris, Ci, [T300]	1
▲	6	1225187	(10785189- 20000000) Seal, Rbr, Clsd, 12.7 Th , 24.0Id, 40.0Od	1
▲	7	1224899	(10785189- 20000000) Deflector, Tray, Debris	1
▲	8	1207357	(10000000- 20000000) Tray, Debris, Tank, Recvy [T300]	1
▲	9	1225172	(10785189- 20000000) Strap, Retaining, Deflector, 150.0L	1
▲	10	1018155	(10785189- 20000000) Screw, Pan, Phl, M5 X 0.80 X 16, Tcut,Ss	1
▲	11	01683	(10785189- 20000000) Washer, Flat, 10, Ss	1
▽	12	9014171	(10000000- 10949063) Hose Assy, With Valve (Gray - Option) (No Longer Available - Replaced by Black Pinch Cuff Screw Cap 1251388)	1
▲	13	1051986	(10000000- 10949063) Valve, Ball, 2way, 1.0Id Pvc, W/Handle (No Longer Available - Replaced by Black Pinch Cuff Screw Cap 1251388)	1
▲	14	11531	(10000000- 20000000) Clamp, Hose, Wormdrive, 1.06- 2.00d, .56w	1
▲	15	1222591	(10000000- 10949063) Hose Assy, 45cuff,1.5d 021I 1.5/1.5[Pu] (No Longer Available - Replaced By Black Pinch Cuff Screw Cap 1251388)	1
16	1037106	(10000000- 20000000)	Gasket, Adapter, Hose .13, Neo	1
17	1207196	(10000000- 20000000)	Tube, Hose, Adapter, 1.5d [T300]	1
18	01684	(10000000- 20000000)	Washer, Flat, 0.27b 0.69d .05, Ss	4
19	1204663	(10000000- 10988542)	Hose Assy, W/2cuff,1.5d 031I 1.5/1.5[Pu] (Gray - Option) (No Longer Available - Replaced By 1211220 - Black PVC Standard)	1
20	11531	(10000000- 20000000)	Clamp, Hose, Wormdrive, 1.06- 2.00d, .56w	2
21	1210214	(10000000- 10785188)	Deflector, Water, Recvy	1
22	1018155	(10000000- 10785188)	Screw, Pan, Phl, M5 X 0.80 X 16, Tcut,Ss	2
23	9014905	(10786729- 20000000)	Cover Kit, Circuitbreaker, Ci[T300/E/Ss]	1

▽ ASSEMBLY

▲ INCLUDED IN ASSEMBLY

SOLUTION TANK GROUP

355304



SOLUTION TANK GROUP

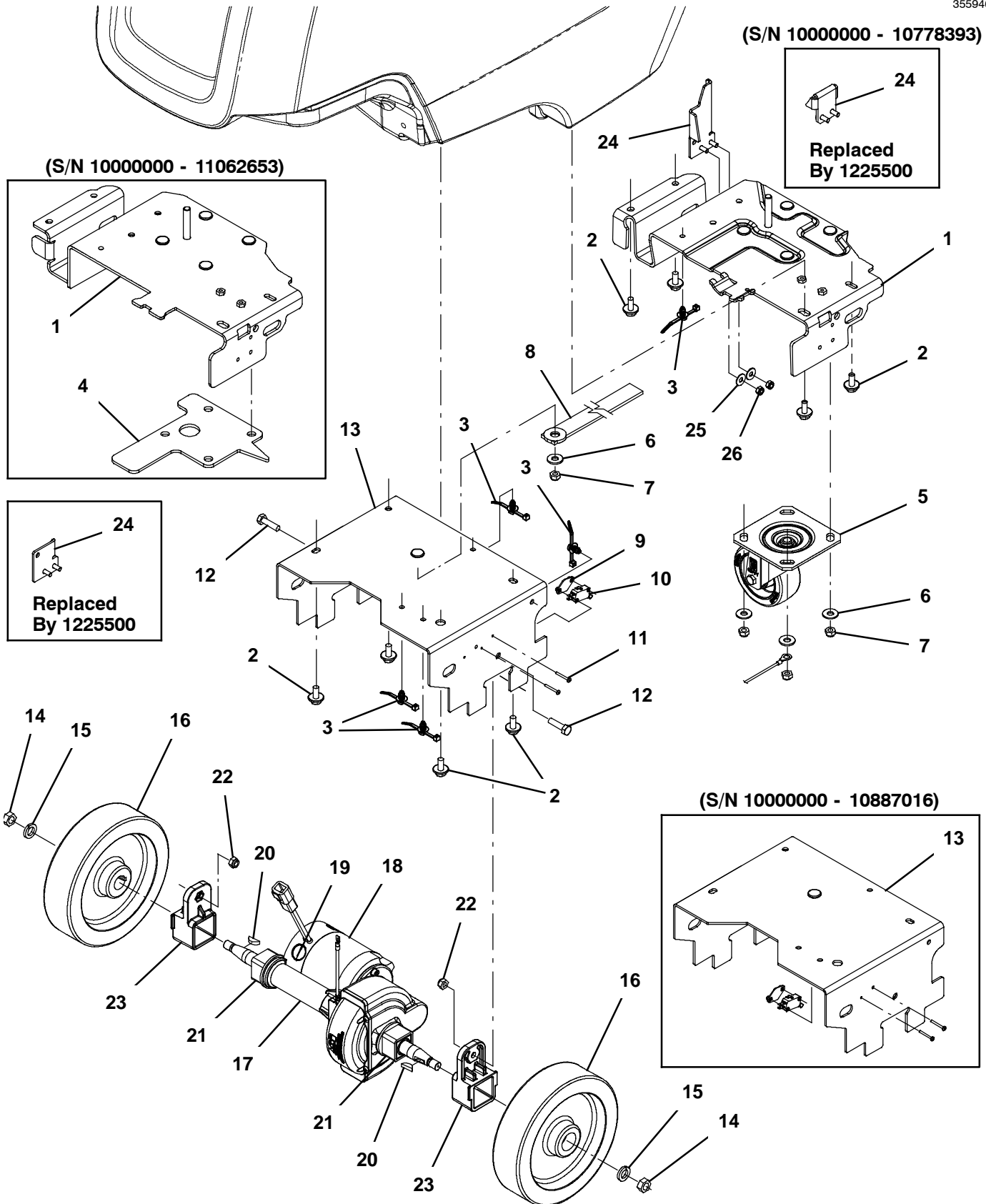
Ref.	Part No.	Serial Number	Description	Qty.
1	9014156	(10000000- 20000000)	Kit, Tank, Soltn, [T300/T300e]	1
2	391368	(10000000- 20000000)	Cable, Glv .09d 016.5l .38eye /.38eye	1
3	140154	(10000000- 20000000)	Sleeve, P/M, 0.25b 0.38d 0.3l, PI	2
4	01684	(10000000- 20000000)	Washer, Flat, 0.27b 0.69d .05, Ss	2
5	12277	(10000000- 20000000)	Screw, Hex, M6 X 1.00 X 20, NI, Ss	1
6	1214264	(10000000- 20000000)	Tray, Accssry, Lh, 16mm Screw	1
7	140053	(10000000- 20000000)	Washer, Flat, 0.28b 0.88d .12, Ss	2
8	11329	(10000000- 20000000)	Screw, Hex, M6 X 1.00 X 16, NI, Ss	2
9	20778	(10000000- 20000000)	Hose, Pvc, Clr, 0.50id 0.69od 030.0l	1
10	54333	(10000000- 20000000)	Clamp, Hose, Wormdrive, 0.31- 0.88d, .31w	1
11	9014158	(10000000- 20000000)	Kit, Cvr, Fill, W/ Ech20, Ci [Na/Jp]	1
11	9014410	(10000000- 20000000)	Kit, Cvr, Fill, Ci [Na/Jp]	1
12	1046428	(10000000- 20000000)	Seal, Afmkt, Rbr, Clsd, Adh, 02ft	1
13	1018155	(10000000- 20000000)	Screw, Pan, Phl, M5 X 0.80 X 16, Tcut,Ss	2
14	07514	(10000000- 20000000)	Washer, Lock, Int, 10, Ss	2
15	621443	(10000000- 20000000)	Chain, Ball, 10, 0157mml, Ss	1
16	1214249	(10000000- 10809548)	Tray, Accssry, Rh, 16mm Screw (Option - No Longer Available)	1
17	1018155	(10000000- 10809548)	Screw, Pan, Phl, M5 X 0.80 X 16, Tcut,Ss	2
▽	18	9013845	Clip Kit, Rail, [T300/T300e/Ss300] (Option - No Longer Available)	1
▲	19	1214292	Bracket, Hanger, Rail, Lrg (Option - No Longer Available)	1
▲	20	1214291	Bracket, Hanger, Rail, Small (Option - No Longer Available)	2
	21	80491	Sleeve, P/M, 0.25b 0.38d 0.2l [430ss]	1
	22	1229734	Seal, Neo, 0.88, 1.00w 3.6l Adh	1
	23	1214292	Bracket, Hanger, Rail, Lrg (Option - No Longer Available)	1
	24	1202143	Screw, Trs, M6 X 1.00 X 16, Phl, NI, Blk	1

▽ ASSEMBLY

▲ INCLUDED IN ASSEMBLY

FRAME GROUP, PROPEL MODEL

355946



FRAME GROUP, PROPEL MODEL

Ref.	Part No.	Serial Number	Description	Qty.	
1	1261807	(11062654- 20000000)	Frame Wldt, Rear [T300]	1	
1	1208498	(10000000- 11062653)	Frame Wldt, Rear (Replaced By 1261807)	1	
2	1020341	(10000000- 20000000)	Screw, Hex, M8 X 1.25 X 20, Ss, Sems	8	
3	1210807	(10000000- 20000000)	Wire, Tie [W/.25" Fir Tree Clip]	5	
4	1215093	(10000000- 11062653)	Spacer, Caster	1	
5	1212422	(10000000- 20000000)	Caster, Swivel [Wicke 224051]	1	
6	01685	(10000000- 20000000)	Washer, Flat, 0.38b 0.88d .08, Ss	5	
7	08713	(10000000- 20000000)	Nut, Hex, Lock, M8 X 1.25, NI, Ss	5	
8	71579	(10000000- 20000000)	Strap, Static, W/Grommet, .19 1.1w 25.0l	1	
9	1013705	(10000000- 20000000)	Plate, Thread, Switch, M3 Nut, 96hr PI	1	
10	1215716	(10000000- 20000000)	Switch, 0.1a, Spdt[Micro, Gold Contacts]	1	
11	33933	(10000000- 20000000)	Screw, Pan, Phl, M3 X 0.50 X 25, Ss	2	
12	09011	(10000000- 20000000)	Screw, Hex, M8 X 1.25 X 30, Ss	2	
13	1234032	(10887017- 20000000)	Frame Wldt, Front	1	
13	1211968	(10000000- 10887016)	Frame Wldt, Front	1	
14	09741	(10000000- 20000000)	Nut, Hex, Lock, M12 X 1.75, NI, Ss	2	
15	140058	(10000000- 20000000)	Washer, Flat, 0.54b 0.88d .06, Ss [Wand]	2	
16	1223582	(10000000- 20000000)	Wheel, Scrbr, 8.00d, W/ Taper	2	
▽	17	1209779	(10000000- 20000000)	Transaxle, Ele, 24vdc, 112rpm [Asi]	1
▲		1017782	(10000000- 20000000)	Coupling Kit, Transaxle, Replmt [11057]	1
▲▽	18	1216386	(10000000- 20000000)	Motor, Transaxle, 24vdc, Replmt [UI, Ce]	1
▲▲	19	1212351	(10000000- 20000000)	Brush Kit, Carbon, Transaxle, UI (1 Kit = 4 Pcs)	1
▲	20	1021167	(10000000- 20000000)	Key, Woodruff, 5mm	2
▲	21	612880	(10000000- 20000000)	Joint, Transaxle, Replmt	2
	22	08713	(10000000- 20000000)	Nut, Hex, Lock, M8 X 1.25, NI, Ss	2
	23	1028292	(10000000- 20000000)	Adapter, Mtg, Axle, Alm [T3]	2
	24	1225500	(JAN2020- 20000000)	Bracket Wldt, Latch, Lift, PI [T300]	1
	24	1223078	(10778394- DEC2019)	Bracket Wldt, Latch (Replaced By 1225500)	1
	24	1013946	(10000000- 10778393)	Bracket, Locking, Pedal, Foot (Replaced By 9014788)	1
	25	01684	(10000000- 20000000)	Washer, Flat, 0.27b 0.69d .05, Ss	2
	26	08712	(10000000- 20000000)	Nut, Hex, Lock, M6 X 1.00, NI, Ss	2

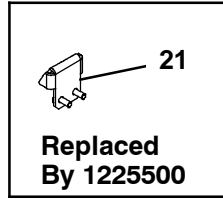
▽ ASSEMBLY

▲ INCLUDED IN ASSEMBLY

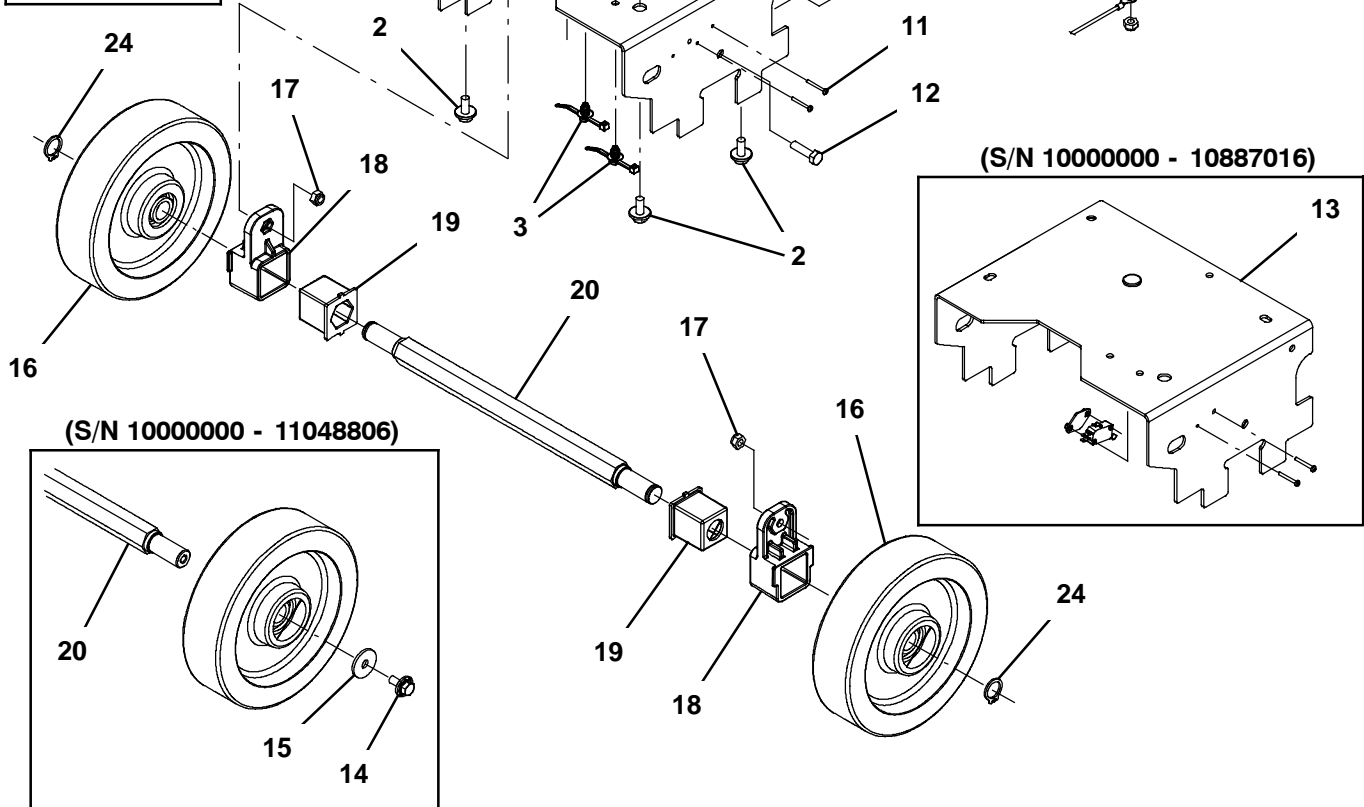
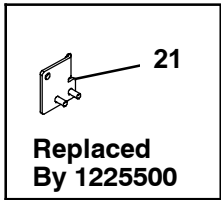
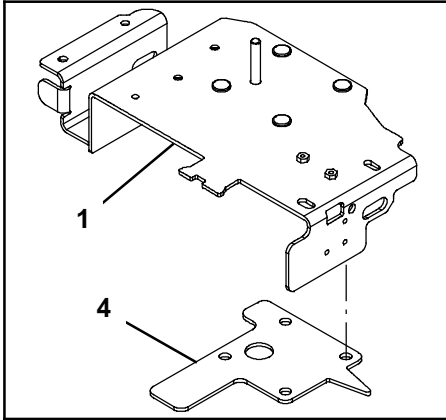
FRAME GROUP, PUSH MODEL

355947

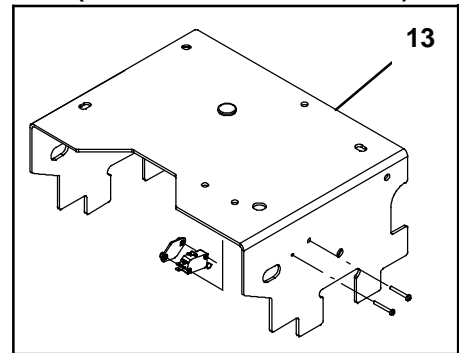
(S/N 1000000 - 10778393)



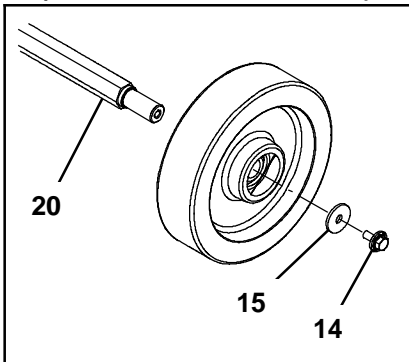
(S/N 1000000 - 11062653)



(S/N 1000000 - 10887016)



(S/N 1000000 - 11048806)

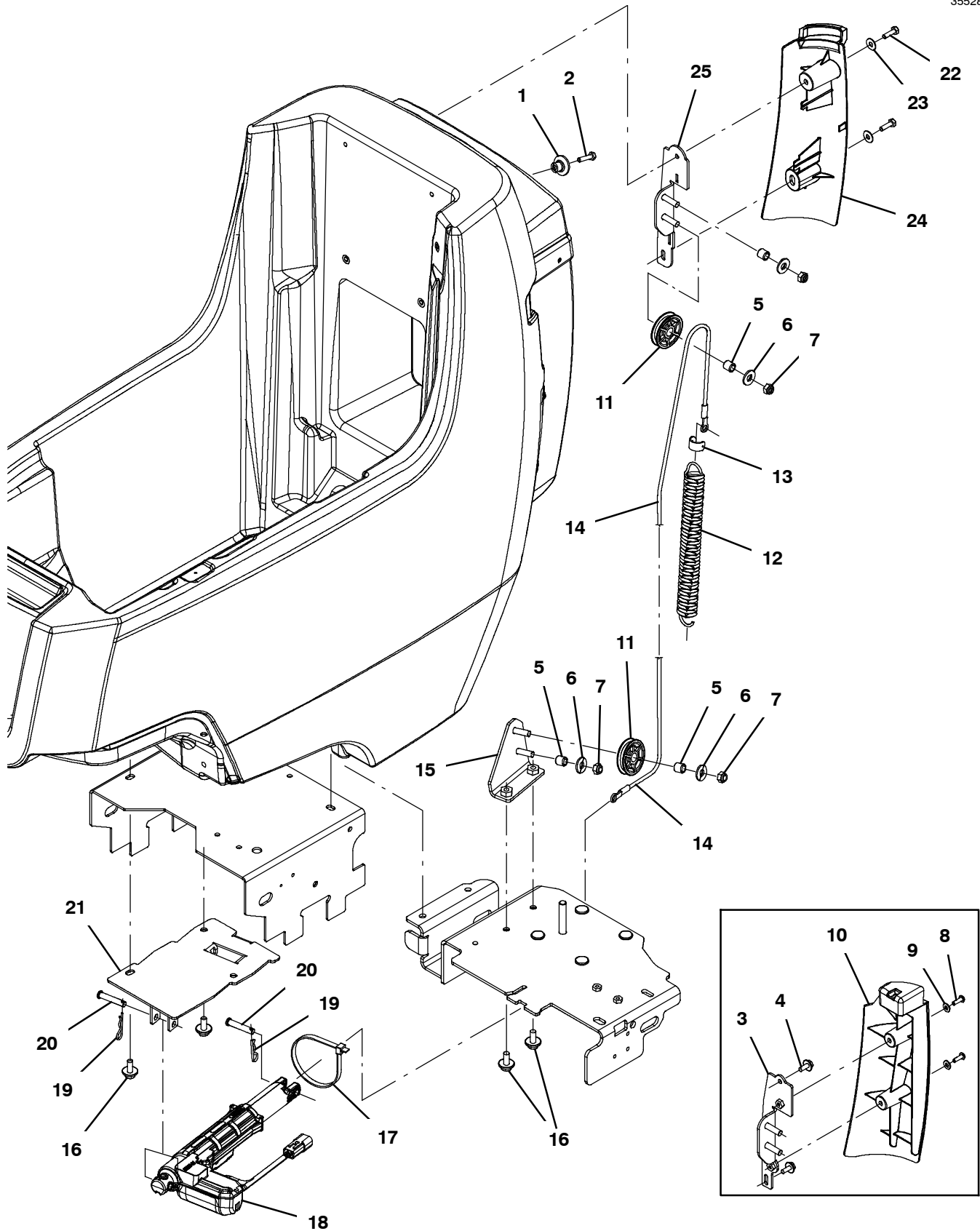


FRAME GROUP, PUSH MODEL

Ref.	Part No.	Serial Number	Description	Qty.
1	1261807	(11062654- 20000000)	Frame Wldt, Rear [T300]	1
1	1208498	(10000000- 11062653)	Frame Wldt, Rear (Replaced By 1261807)	1
2	1020341	(10000000- 20000000)	Screw, Hex, M8 X 1.25 X 20, Ss, Sems	8
3	1210807	(10000000- 20000000)	Wire, Tie [W/.25" Fir Tree Clip]	5
4	1215093	(10000000- 11062653)	Spacer, Caster	1
5	1212422	(10000000- 20000000)	Caster, Swivel [Wicke 224051]	1
6	01685	(10000000- 20000000)	Washer, Flat, 0.38b 0.88d .08, Ss	5
7	08713	(10000000- 20000000)	Nut, Hex, Lock, M8 X 1.25, NI, Ss	5
8	71579	(10000000- 20000000)	Strap, Static, W/Grommet, .19 1.1w 25.0l	1
9	1013705	(10000000- 20000000)	Plate, Thread, Switch, M3 Nut, 96hr PI	1
10	1215716	(10000000- 20000000)	Switch, 0.1a, Spdt[Micro, Gold Contacts]	1
11	33933	(10000000- 20000000)	Screw, Pan, Phl, M3 X 0.50 X 25, Ss	2
12	09011	(10000000- 20000000)	Screw, Hex, M8 X 1.25 X 30, Ss	2
13	1234032	(10887017- 20000000)	Frame Wldt, Front	1
13	1211968	(10000000- 10887016)	Frame Wldt, Front	1
14	1020341	(10000000- 11048806)	Screw, Hex, M8 X 1.25 X 20, Ss, Sems	2
15	1016331	(10000000- 11048806)	Washer, Flat, 0.34b 1.25d .11, Ss	2
16	1223724	(10000000- 20000000)	Wheel, Scrbr, 8.00d, W/ Brg	2
17	08713	(10000000- 20000000)	Nut, Hex, Lock, M8 X 1.25, NI, Ss	2
18	1028292	(10000000- 20000000)	Adapter, Mtg, Axle, Alm [T3]	2
19	1028381	(10000000- 20000000)	Grommet, Axle [Tpu, T3 Push]	2
20	1257946	(11048807- 20000000)	Axle, Wheel, Hex	1
20	1028382	(10000000- 11048806)	Axle, Wheel, Hex, Clr Zn [T3 Push] (Replaced By 1257946 And Qty 2 of 1025121)	1
21	1225500	(JAN2020- 20000000)	Bracket Wldt, Latch, Lift, PI [T300]	1
21	1223078	(10778394- DEC2019)	Bracket Wldt, Latch (Replaced By 1225500)	1
21	1013946	(10000000- 10778393)	Bracket, Locking, Pedal, Foot (Replaced By 9014788)	1
22	01684	(10000000- 20000000)	Washer, Flat, 0.27b 0.69d .05, Ss	2
23	08712	(10000000- 20000000)	Nut, Hex, Lock, M6 X 1.00, NI, Ss	2
24	1025121	(11048807- 20000000)	Ring, Retaining, Shaft, Ext, 20mmd, Hd	2

ACTUATED DOWN PRESSURE GROUP

355282

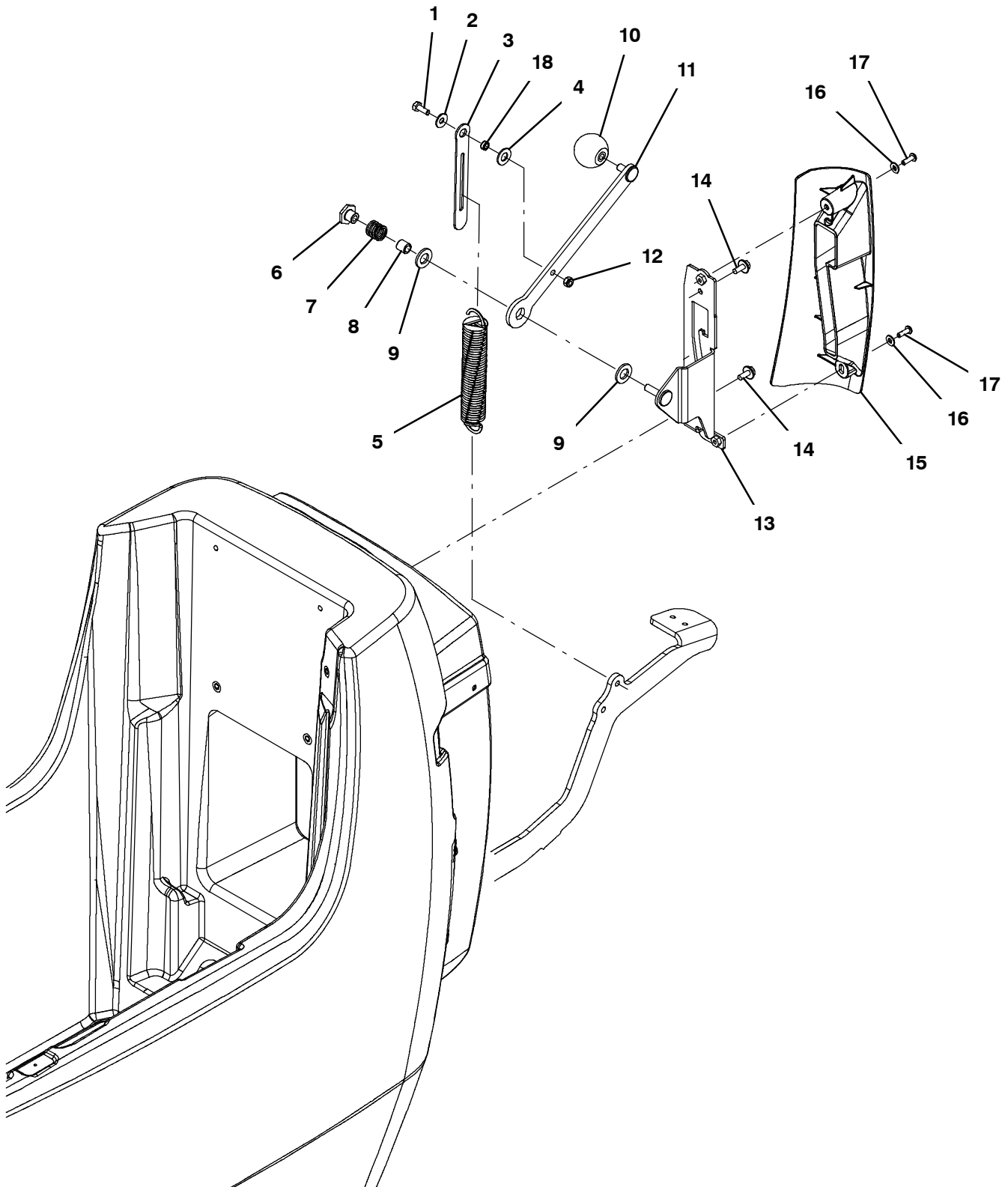


ACTUATED DOWN PRESSURE GROUP

Ref.	Part No.	Serial Number	Description	Qty.
1	1214283	(10000000- 20000000)	Guide, Cable	1
2	1016005	(10000000- 20000000)	Screw, Hex, M6 X 1.00 X 25, NI, Fl, Ss	1
3	1213998	(10000000- 10809548)	Bracket Wldt, Mtg, Pulley, Down Press	1
4	1034731	(10000000- 10809548)	Screw, Hex, M6 X 1.00 X 16, Sems, Ss	2
5	222460	(10000000- 20000000)	Sleeve, P/M, 0.32b 0.50d 0.5l [430ss]	4
6	01685	(10000000- 20000000)	Washer, Flat, 0.38b 0.88d .08, Ss	4
7	08713	(10000000- 20000000)	Nut, Hex, Lock, M8 X 1.25, NI, Ss	4
8	1205799	(10000000- 10809548)	Screw, Btn, M5 X 0.8 X 16, 8.8, NI, Torx	2
9	01683	(10000000- 10809548)	Washer, Flat, 10, Ss	2
10	1212336	(10000000- 10809548)	Cover, Pulley Assy, Down- Press	1
11	369781	(10000000- 20000000)	Pulley, Cable, 1.5d Nyl	2
12	1216611	(10000000- 20000000)	Spring, Extn, 1.14od, 0.13wir, 6.5l (Disk & Orbital Models)	1
12	1216677	(10000000- 20000000)	Spring, Extn, 1.08od, 0.09wir, 6.5l (Cylindrical Model)	1
13	1218891	(10000000- 20000000)	Retainer, Strip, Rubber	1
14	1214005	(10000000- 20000000)	Cable, Down Press	1
15	1213986	(10000000- 20000000)	Bracket Wldt, Mtg, Pulley, Down Press	1
16	1020341	(10000000- 20000000)	Screw, Hex, M8 X 1.25 X 20, Ss, Sems	4
17	130773	(10000000- 20000000)	Tie, Cable, Nyl, 11.0l, .14w, 3.0 Max. D	1
18	1213982	(10000000- 20000000)	Actuator, 24vdc, 76.2 Strk, 500n	1
19	1216647	(10000000- 20000000)	Pin, Cotter, Hair, 0.38d .054 Wir	2
20	397249	(10000000- 20000000)	Pin, Clevis, 0.31d X 1.62l	2
21	1214971	(10000000- 20000000)	Actuator Wldt, Mtg	1
22	12277	(10809549- 20000000)	Screw, Hex, M6 X 1.00 X 20, NI, Ss	2
23	01684	(10809549- 20000000)	Washer, Flat, 0.27b 0.69d .05, Ss	2
24	1224289	(10809549- 20000000)	Cover, Tank, Rh, [T300/E/Ss]	1
25	1224560	(10809549- 20000000)	Bracket Wldt, Mtg, Pulley, Dnprs	1

MANUAL DOWN PRESSURE GROUP

355283



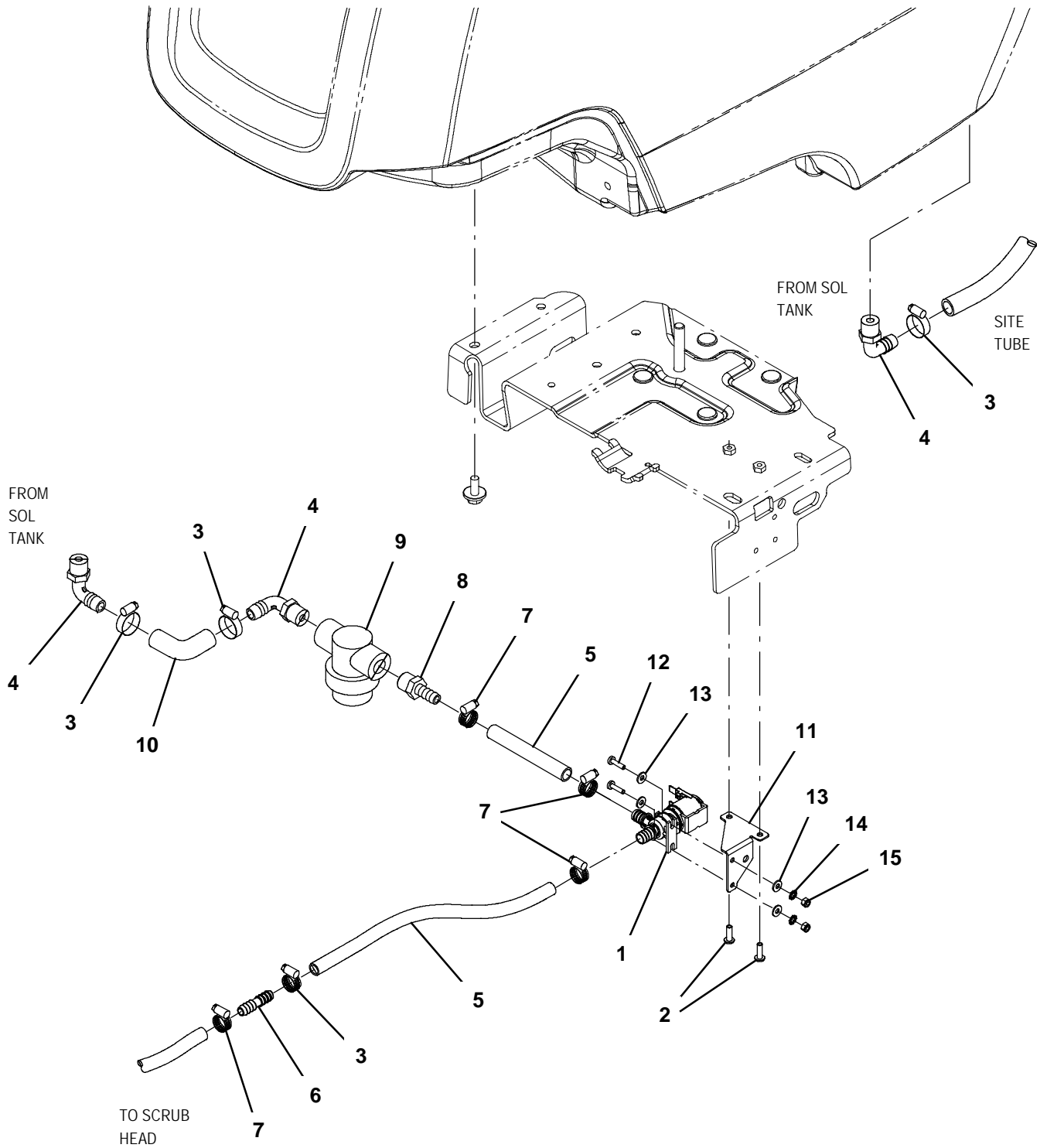
MANUAL DOWN PRESSURE GROUP

Ref.	Part No.	Serial Number	Description	Qty.
1	11329	(10000000- 20000000)	Screw, Hex, M6 X 1.00 X 16, NI, Ss	1
2	01684	(10000000- 20000000)	Washer, Flat, 0.27b 0.69d .05, Ss	1
3	1213745	(10000000- 20000000)	Plate, Link	1
4	20536	(10000000- 20000000)	Washer, Flat, 0.45b 1.19d .06, Nyl	1
5	1216611	(10000000- 20000000)	Spring, Extn, 1.14od, 0.13wir, 6.5l (Disk & Orbital Models)	1
5	1216677	(10000000- 20000000)	Spring, Extn, 1.08od, 0.09wir, 6.5l (Cylindrical Model)	1
6	1018181	(10000000- 20000000)	Nut, T, M8 X 1.25 X 0.50od X 0.4l	1
7	1018756	(10000000- 20000000)	Spring, Cmpr, 0.70od .08wir 00.7l, Pl,Mw	1
8	222460	(10000000- 20000000)	Sleeve, P/M, 0.32b 0.50d 0.5l [430ss]	1
9	1013936	(10000000- 20000000)	Washer, Flat, 0.51b 0.94d .10, Nyl	2
10	1017156	(10000000- 20000000)	Knob, Ball, M8 Insert, 40mmd, Plstc	1
11	1210591	(10000000- 20000000)	Lever Wldt, Down Pressure, Mnl	1
12	08712	(10000000- 20000000)	Nut, Hex, Lock, M6 X 1.00, NI, Ss	1
13	1210597	(10000000- 20000000)	Bracket Wldt, Down Press, Mnl	1
14	1034731	(10000000- 20000000)	Screw, Hex, M6 X 1.00 X 16, Sems, Ss	2
15	1209371	(10000000- 20000000)	Cover, Lever Assy, Down- Press	1
16	01683	(10000000- 20000000)	Washer, Flat, 10, Ss	2
17	1205799	(10000000- 20000000)	Screw, Btn, M5 X 0.8 X 16, 8.8, NI, Torx	2
18	80491	(10000000- 20000000)	Sleeve, P/M, 0.25b 0.38d 0.2l [430ss]	1

STANDARD PARTS

SOLUTION GROUP, STANDARD MODEL (S/N 11056740 -) (NEW BARB CONNECTOR STYLE)

355948



SOLUTION GROUP, STANDARD MODEL (S/N 11056740 -)
(NEW BARB CONNECTOR STYLE)

Ref.	Part No.	Serial Number	Description	Qty.	
1	1248867	(11056740- 20000000)	Valve, Water, Solenoid, 24vdc Bm06/Bm06	1	
2	1205799	(10000000- 20000000)	Screw, Btn, M5 X 0.8 X 16, 8.8, NI, Torx	2	
3	54333	(11056740- 20000000)	Clamp, Hose, Wormdrive, 0.31- 0.88d, .31w	3	
4	64778	(10978370- 20000000)	Fitting, Plstc, E90, Bm08/Pm06	3	
5	1014939	(11056740- 20000000)	Hose, Afrmkt, Pvc, Clr, 0.38id, 02ft	1	
6	20950	(11056740- 20000000)	Fitting, Plstc, Str, Bm06/Bm06	1	
7	43844	(11056740- 20000000)	Clamp, Hose, Wormdrive, 0.25- 0.62d, .31w	5	
8	150538	(11056740- 20000000)	Fitting, Plstc, Str, Bm06/Pm06	1	
▽	9	1211537	(10000000- 20000000)	Filter, In- Line, Pf06/Pf06 080m 2.6l Epd	1
▲		1218885	(10000000- 20000000)	Gasket [Epdm, F/1211537]	1
▲		1218883	(10000000- 20000000)	Screen, Fltr, 80 Mesh, Ss [W/ Cage]	1
▲		613991	(10000000- 20000000)	Bowl, Clr, Short, F/1005302	1
10	1048278	(11009738- 20000000)	Hose, Pvc, Clr, E90 0.63id 0.75od	1	
11	1247965	(11056740- 20000000)	Bracket, Valve	1	
12	24265	(11056740- 20000000)	Screw, Pan, Phl, M4 X 0.70 X 16, Ss	2	
13	41579	(11056740- 20000000)	Washer, Flat, 08, Ss	4	
14	140061	(11056740- 20000000)	Washer, Lock, Ext, 08, PI	2	
15	33932	(11056740- 20000000)	Nut, Hex, Lock, M4 X 0.70, NI, Ss	2	

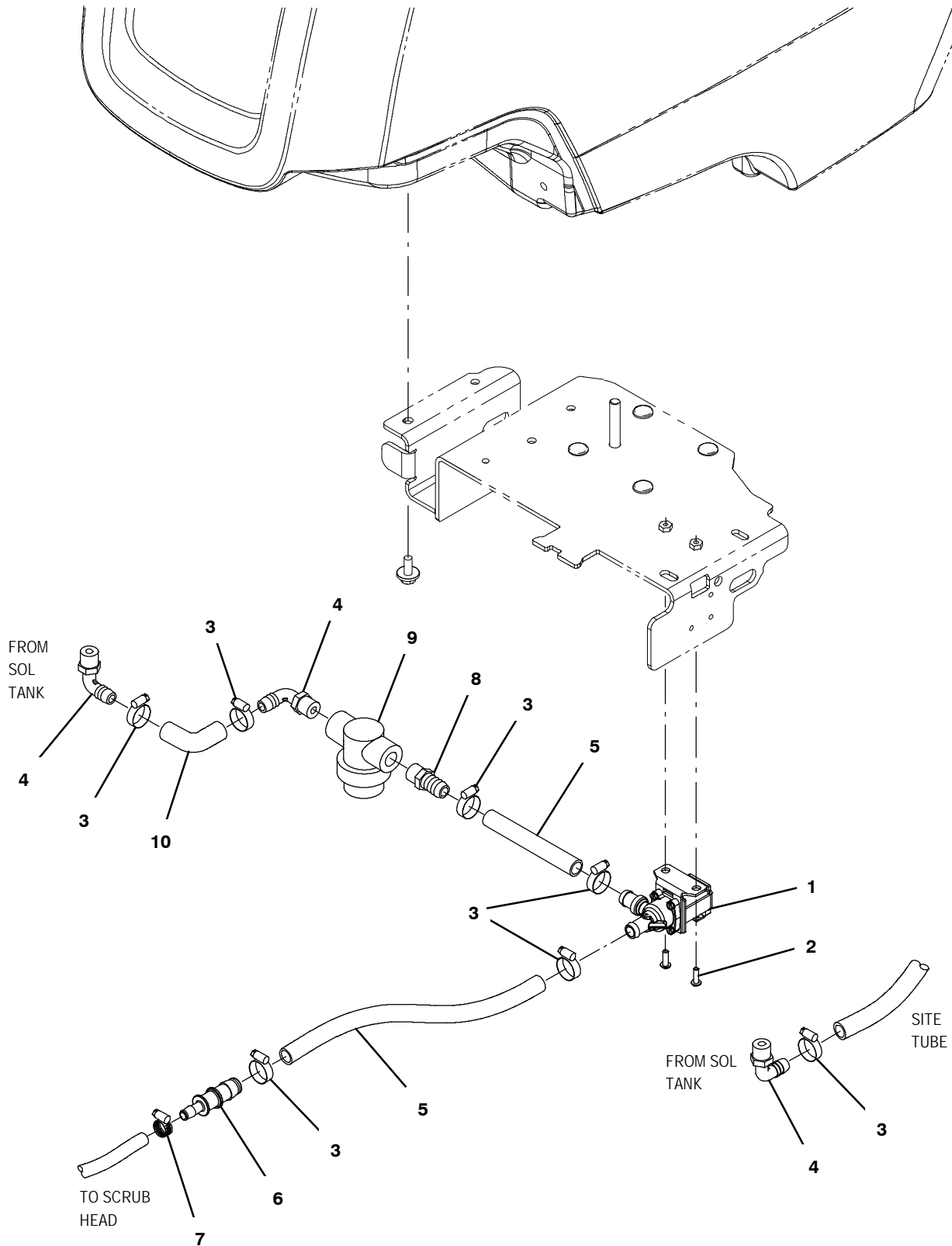
▽ ASSEMBLY

▲ INCLUDED IN ASSEMBLY

STANDARD PARTS

SOLUTION GROUP, STANDARD MODEL (S/N 11009738 - 11056739) (NEW BARB CONNECTOR STYLE)

355832



**SOLUTION GROUP, STANDARD MODEL (S/N 11009738 - 11056739)
(NEW BARB CONNECTOR STYLE)**

Ref.	Part No.	Serial Number	Description	Qty.	
1	1214973	(10978370- 11056739)	Valve, Water, Solenoid, 24vdc, Bm10/Bm10	1	
2	1205799	(10000000- 20000000)	Screw, Btn, M5 X 0.8 X 16, 8.8, NI, Torx	2	
3	54333	(11009738- 11056739)	Clamp, Hose, Wormdrive, 0.31- 0.88d, .31w	7	
4	64778	(10978370- 20000000)	Fitting, Plstc, E90, Bm08/Pm06	3	
5	1035355	(10978370- 11056739)	Hose, Afmkt, Pvc, Clr, 0.62id, 02ft	1	
6	1243167	(10978370- 11056739)	Fitting, Plstc, Str, Bm06/Bm10	1	
7	43844	(10978370- 11056739)	Clamp, Hose, Wormdrive, 0.25- 0.62d, .31w	1	
8	1013900	(10978370- 11056739)	Fitting, Plstc, Str, Bm10/Pm06, Nyl	1	
▽	9	1211537	(10000000- 20000000)	Filter, In- Line, Pf06/Pf06 080m 2.6l Epd	1
▲		1218885	(10000000- 20000000)	Gasket [Epdm, F/1211537]	1
▲		1218883	(10000000- 20000000)	Screen, Fltr, 80 Mesh, Ss [W/ Cage]	1
▲		613991	(10000000- 20000000)	Bowl, Clr, Short, F/1005302	1
10	1048278	(11009738- 20000000)	Hose, Pvc, Clr, E90 0.63id 0.75od	1	

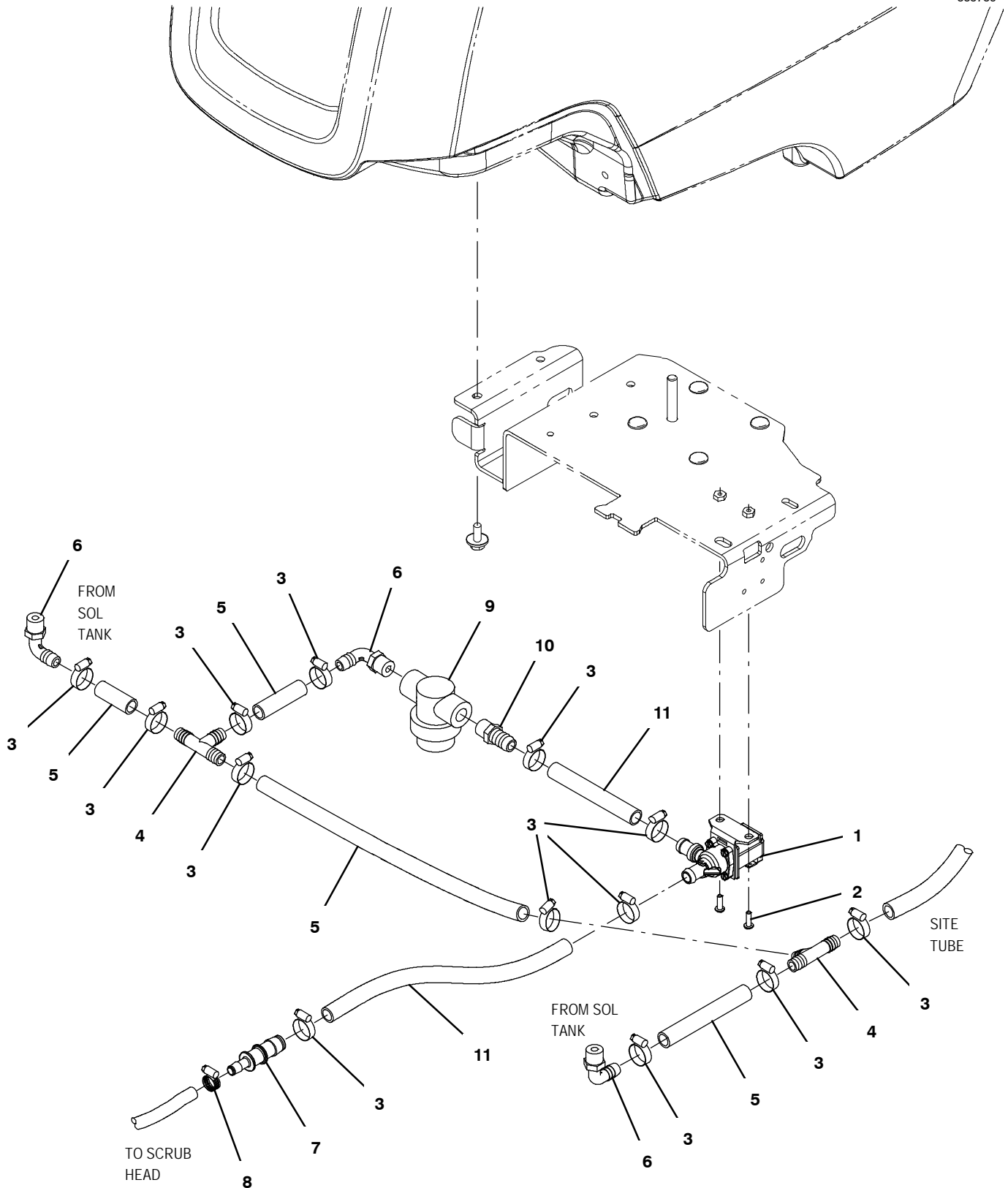
▽ ASSEMBLY

▲ INCLUDED IN ASSEMBLY

STANDARD PARTS

SOLUTION GROUP, STANDARD MODEL (S/N 10978370 - 11009737) (NEW BARB CONNECTOR STYLE)

355759



**SOLUTION GROUP, STANDARD MODEL (S/N 10978370 - 11009737)
(NEW BARB CONNECTOR STYLE)**

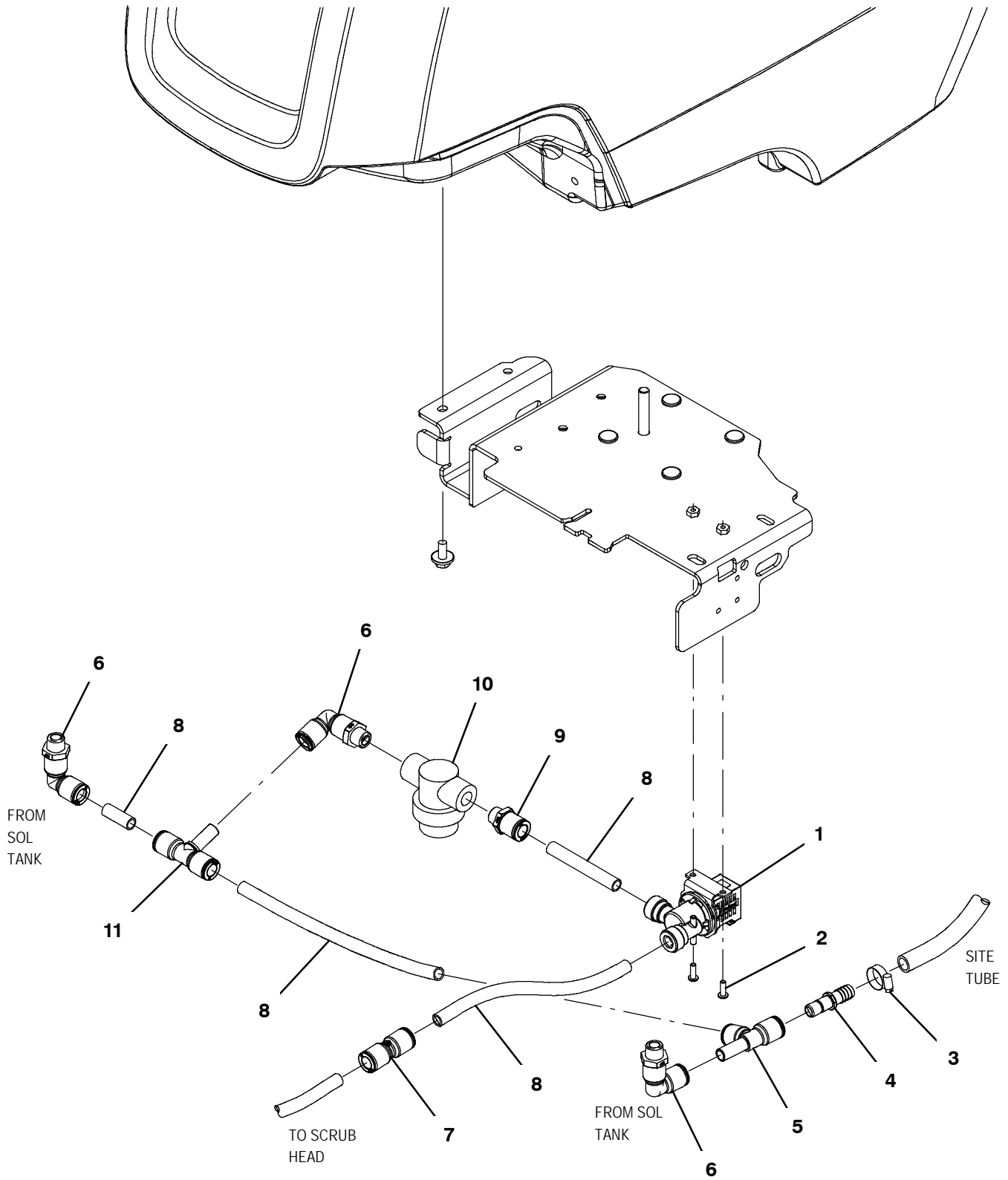
Ref.	Part No.	Serial Number	Description	Qty.	
1	1214973	(10978370- 20000000)	Valve, Water, Solenoid, 24vdc, Bm10/Bm10	1	
2	1205799	(10000000- 20000000)	Screw, Btn, M5 X 0.8 X 16, 8.8, NI, Torx	2	
3	54333	(10978370- 11009737)	Clamp, Hose, Wormdrive, 0.31- 0.88d, .31w	13	
4	63245- 1	(10978370- 11009737)	Fitting, Plstc, Tee, Bm08/Bm08/Bm08	2	
5	1015068	(10978370- 11009737)	Hose, Afrmkt, Pvc, Clr, 0.50id, 03ft	1	
6	64778	(10978370- 20000000)	Fitting, Plstc, E90, Bm08/Pm06	3	
7	1243167	(10978370- 20000000)	Fitting, Plstc, Str, Bm06/Bm10	1	
8	43844	(10978370- 20000000)	Clamp, Hose, Wormdrive, 0.25- 0.62d, .31w	1	
▽	9	1211537	(10000000- 20000000)	Filter, In- Line, Pf06/Pf06 080m 2.6l Epd	1
▲		1218885	(10000000- 20000000)	Gasket [Epdm, F/1211537]	1
▲		1218883	(10000000- 20000000)	Screen, Fltr, 80 Mesh, Ss [W/ Cage]	1
▲		613991	(10000000- 20000000)	Bowl, Clr, Short, F/1005302	1
10	1013900	(10978370- 20000000)	Fitting, Plstc, Str, Bm10/Pm06, Nyl	1	
11	1035355	(10978370- 20000000)	Hose, Afrmkt, Pvc, Clr, 0.62id, 02ft	1	

▽ ASSEMBLY

▲ INCLUDED IN ASSEMBLY

SOLUTION GROUP, STANDARD MODEL
(ORIGINAL PUSH QUICK CONNECTOR STYLE)

355308



**SOLUTION GROUP, STANDARD MODEL
(ORIGINAL PUSH QUICK CONNECTOR STYLE)**

Ref.	Part No.	Serial Number	Description	Qty.
1	1211424	(10000000- 10978369)	Valve, Water, Solenoid, 24vdc Qf08/Qf08	1
2	1205799	(10000000- 20000000)	Screw, Btn, M5 X 0.8 X 16, 8.8, NI, Torx	2
3	54333	(10000000- 10978369)	Clamp, Hose, Wormdrive, 0.31- 0.88d, .31w	1
4	1212807	(10000000- 10978369)	Fitting, Plstc, Str, Qm08/Bm08	1
5	1212806	(10000000- 10978369)	Fitting, Plstc, Tee, Qf08/Qf08/Qm08	1
6	1212987	(10000000- 10978369)	Fitting, Plstc, E90, Qf08/Pm06, Swivel	3
7	1212859	(10000000- 10978369)	Fitting, Plstc, Str, Qf08/Qf08	1
8	9014145	(10000000- 10978369)	Hose, Afrmkt, Pe, .375id .50od, 05ft	1
9	1212813	(10000000- 10978369)	Fitting, Plstc, Str, Qf08/Pm06	1
▽	10	1211537	(10000000- 20000000) Filter, In- Line, Pf06/Pf06 080m 2.6l Epd	1
▲		1218885	(10000000- 20000000) Gasket [Epdm, F/1211537]	1
▲		1218883	(10000000- 20000000) Screen, Fltr, 80 Mesh, Ss [W/ Cage]	1
▲		613991	(10000000- 20000000) Bowl, Clr, Short, F/1005302	1
11	1212810	(10000000- 10978369)	Fitting, Plstc, Tee, Qm08/Qf08/Qf08	1

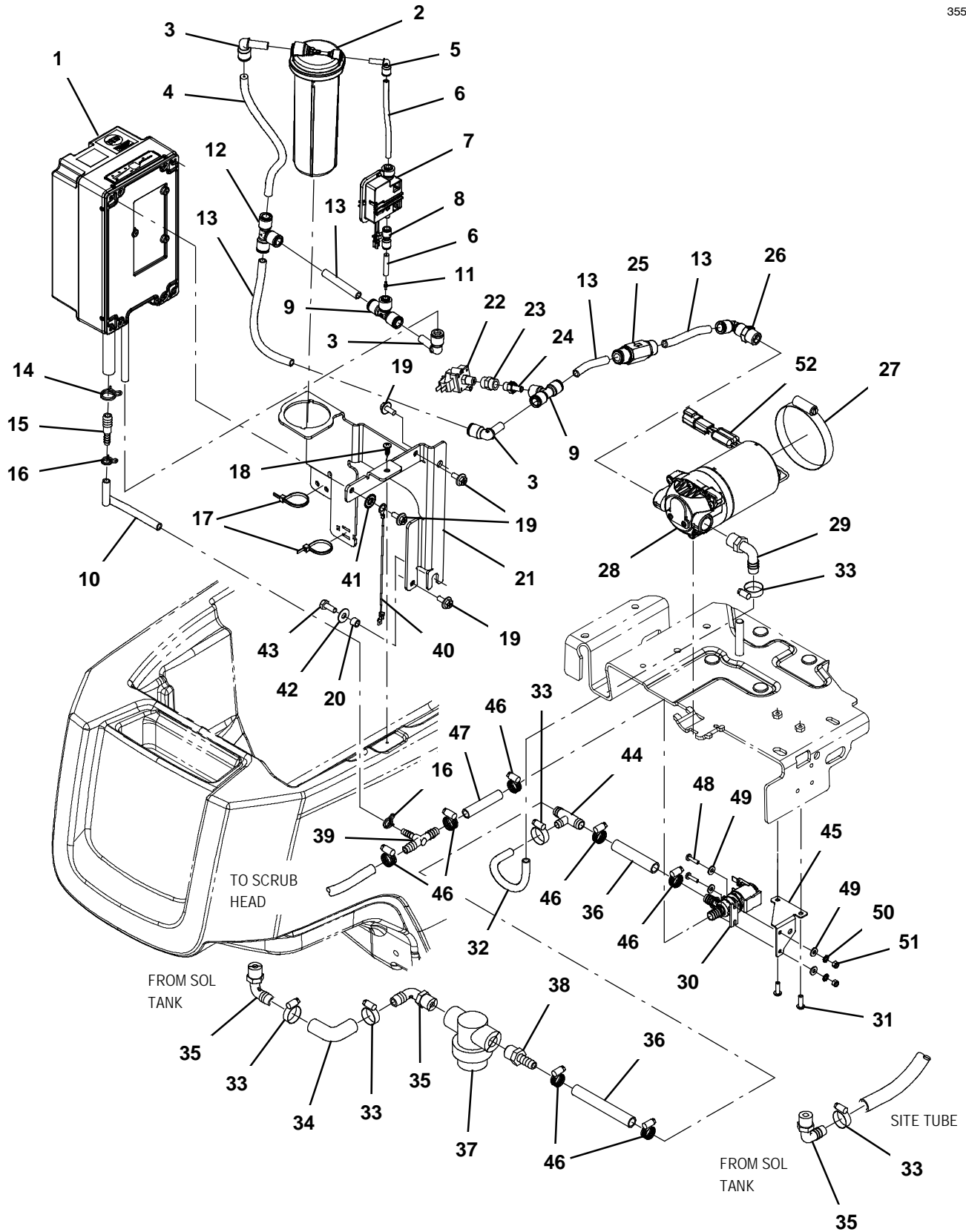
▽ ASSEMBLY

▲ INCLUDED IN ASSEMBLY

STANDARD PARTS

SOLUTION GROUP, STANDARD MODEL ec- H20 (S/N 11056740 -) (NEW BARB CONNECTOR STYLE)

355949



**SOLUTION GROUP, STANDARD MODEL ec- H20 (S/N 11056740 -)
(NEW BARB CONNECTOR STYLE)**

Ref.	Part No.	Serial Number	Description	Qty.
▽	1	9020643	(10998111- 20000000) Module Kit, Replmt [Ec- H2o, B 02] (See Breakdowns)	1
▲	2	9013646	(10000000- 20000000) Cartridge, Ec- H2o Nanoclean Wcm, 270ml	1
	3	1215186	(10000000- 20000000) Fitting, Plstc, E90, Qf06/Qm06	3
	4	9014146	(10000000- 20000000) Hose, Afrmkt, Pvc, 0.06id .38od, 05ft	1
	5	1214339	(10000000- 20000000) Fitting, Plstc, E90, Qfo4/Qm04	1
	6	9014147	(10000000- 20000000) Hose, Afrmkt, Pvc, 0.06id .25od, 05ft	1
	7	1216973	(10000000- 20000000) Pump Assy, Dispenser	1
	8	1218192	(10000000- 20000000) Fitting, Plstc, Str, Qf04/Qf04	1
	9	1212855	(10000000- 20000000) Fitting, Plstc, Tee, Qf04/Qf06/Qf06	2
	10	1006415	(10000000- 20000000) Hose, Afrmkt, Pvc, Clr, 0.25id, 03ft	1
	11	1214972	(10000000- 20000000) Fitting, Orifice, Str, Bm01/Bm01	1
	12	1212573	(10000000- 20000000) Fitting, Plstc, Tee, Qf06/Qf06/Qf06	1
	13	9014148	(10000000- 20000000) Hose, Afrmkt, Nat, 0.25id 0.375od, 06ft	1
	14	607775	(10000000- 20000000) Clamp, Hose, Wir, .63 - .66, Blk	8
	15	1039557	(10000000- 20000000) Fitting, Plstc, Str, Bm04/Bm06	1
	16	613735	(10000000- 20000000) Clamp, Hose, Wir, .40 - .42, Yel	2
	17	130773	(10000000- 20000000) Tie, Cable, Nyl, 11.0l, .14w, 3.0 Max. D	2
	18	1018155	(10000000- 20000000) Screw, Pan, Phl, M5 X 0.80 X 16, Tcut, Ss	1
	19	1034731	(10000000- 20000000) Screw, Hex, M6 X 1.00 X 16, Sems, Ss	5
	20	140154	(10000000- 20000000) Sleeve, P/M, 0.25b 0.38d 0.3l, PI	1
	21	1209249	(10000000- 20000000) Bracket, Mtg, Ec- H20 Module [T300]	1
	22	1044335	(10000000- 20000000) Switch, Press, 6psi, Pm02	1
	23	150307	(10000000- 20000000) Fitting, Brs, Str, Pf02/Pf02, Cplg	1
	24	1216185	(10000000- 20000000) Fitting, Plstc, Str, Qm04/Pm02	1
	25	1215527	(10000000- 20000000) Valve, Check, 1.0 Psi Qf06/Qf06	1
	26	1212812	(10000000- 20000000) Fitting, Plstc, E90, Qf06/Pm06, Swivel	1
	27	43555	(10000000- 20000000) Clamp, Hose, Wormdrive, 2.62- 3.50d	1
	28	1210517	(10000000- 20000000) Pump, Soltn, Ele, 24vdc, 35 Psi	1
	29	64778	(10978370- 20000000) Fitting, Plstc, E90, Bm08/Pm06	1
	30	1248867	(11056740- 20000000) Valve, Water, Solenoid, 24vdc Bm06/Bm06	1
	31	1205799	(10000000- 20000000) Screw, Btn, M5 X 0.8 X 16, 8.8, NI, Torx	2
	32	1015068	(11009738- 20000000) Hose, Afrmkt, Pvc, Clr, 0.50id, 03ft	1
	33	54333	(11056740- 20000000) Clamp, Hose, Wormdrive, 0.31- 0.88d, .31w	4
	34	1048278	(11009738- 20000000) Hose, Pvc, Clr, E90 0.63id 0.75od	1
	35	64778	(10978370- 20000000) Fitting, Plstc, E90, Bm08/Pm06	3
	36	1014939	(11056740- 20000000) Hose, Afrmkt, Pvc, Clr, 0.38id, 02ft	1
▽	37	1211537	(10000000- 20000000) Filter, In- Line, Pf06/Pf06 080m 2.6l Epd	1
▲		1218885	(10000000- 20000000) Gasket [Epdm, F/1211537]	1
▲		1218883	(10000000- 20000000) Screen, Fltr, 80 Mesh, Ss [W/ Cage]	1
▲		613991	(10000000- 20000000) Bowl, Clr, Short, F/1005302	1

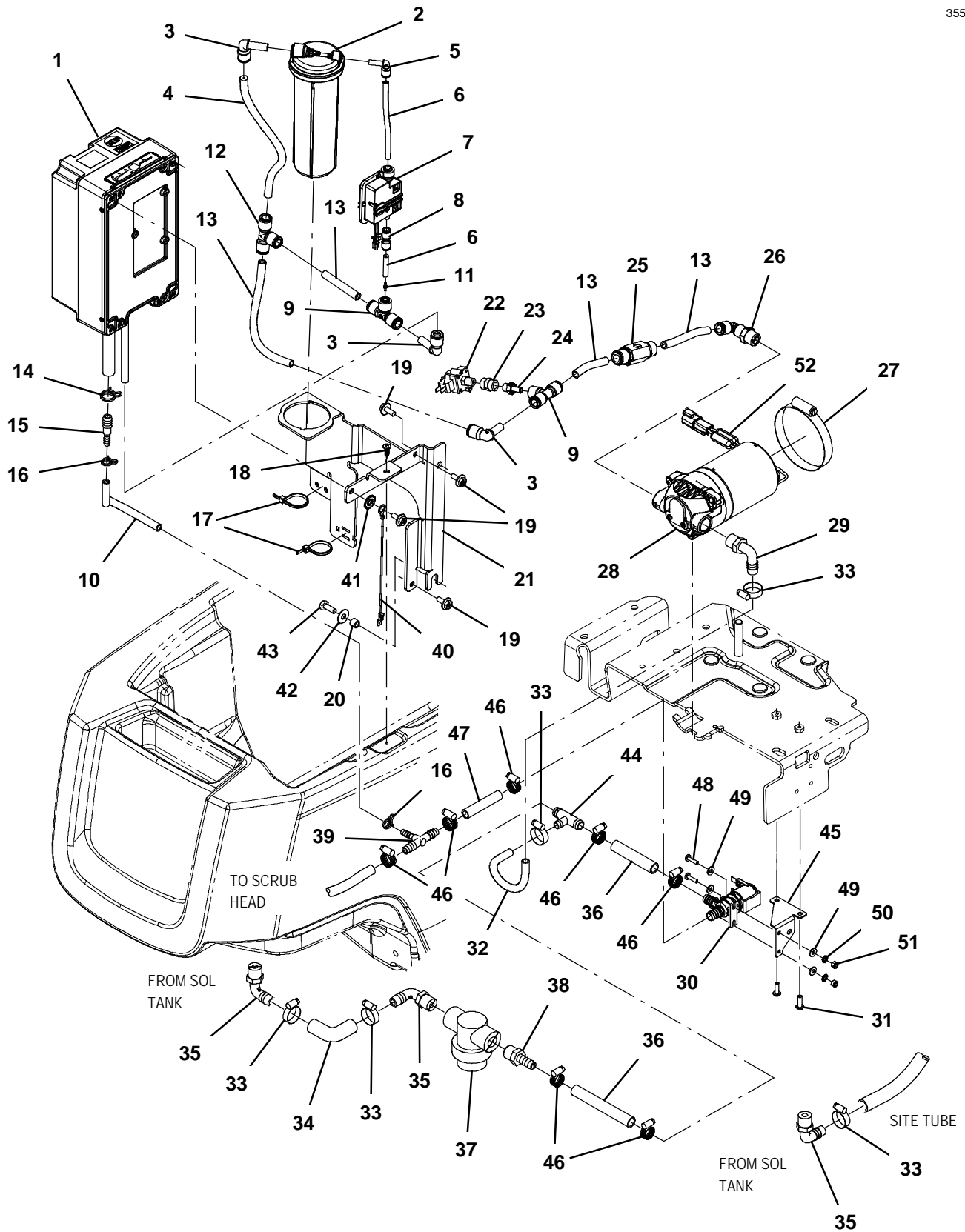
▽ ASSEMBLY

▲ INCLUDED IN ASSEMBLY

STANDARD PARTS

SOLUTION GROUP, STANDARD MODEL ec-H20 - CONT'D (S/N 11056740 -) (NEW BARB CONNECTOR STYLE)

355949



**SOLUTION GROUP, STANDARD MODEL ec-H20 - CONT'D
(S/N 11056740 -) (NEW BARB CONNECTOR STYLE)**

Ref.	Part No.	Serial Number	Description	Qty.
38	150538	(11056740- 20000000)	Fitting, Plstc, Str, Bm06/Pm06	1
39	50895	(10978370- 20000000)	Fitting, Plstc, Tee, Bm04/Bm06/Bm06, Br	1
40	1074344	(10000000- 20000000)	Harness, Ele [Ring With .250m Tail]	1
41	41140	(10000000- 20000000)	Washer, Lock, Int- Ext, 0.25	1
42	01684	(10000000- 20000000)	Washer, Flat, 0.27b 0.69d .05, Ss	1
43	12277	(10000000- 20000000)	Screw, Hex, M6 X 1.00 X 20, NI, Ss	1
44	1022556	(11056740- 20000000)	Fitting, Plstc, Tee, Bm06/Bm06/Bm08	1
45	1247965	(11056740- 20000000)	Bracket, Valve	1
46	43844	(11056740- 20000000)	Clamp, Hose, Wormdrive, 0.25- 0.62d, .31w	7
47	1014929	(10978370- 20000000)	Hose, Afrmkt, Pvc, Clr, 0.38id, 01ft	1
48	24265	(11056740- 20000000)	Screw, Pan, Phl, M4 X 0.70 X 16, Ss	2
49	41579	(11056740- 20000000)	Washer, Flat, 08, Ss	4
50	140061	(11056740- 20000000)	Washer, Lock, Ext, 08, PI	2
51	33932	(11056740- 20000000)	Nut, Hex, Lock, M4 X 0.70, NI, Ss	2
52	1227867	(10000000- 20000000)	Inductor, Ferrite [Split Case,407@100hz]	2

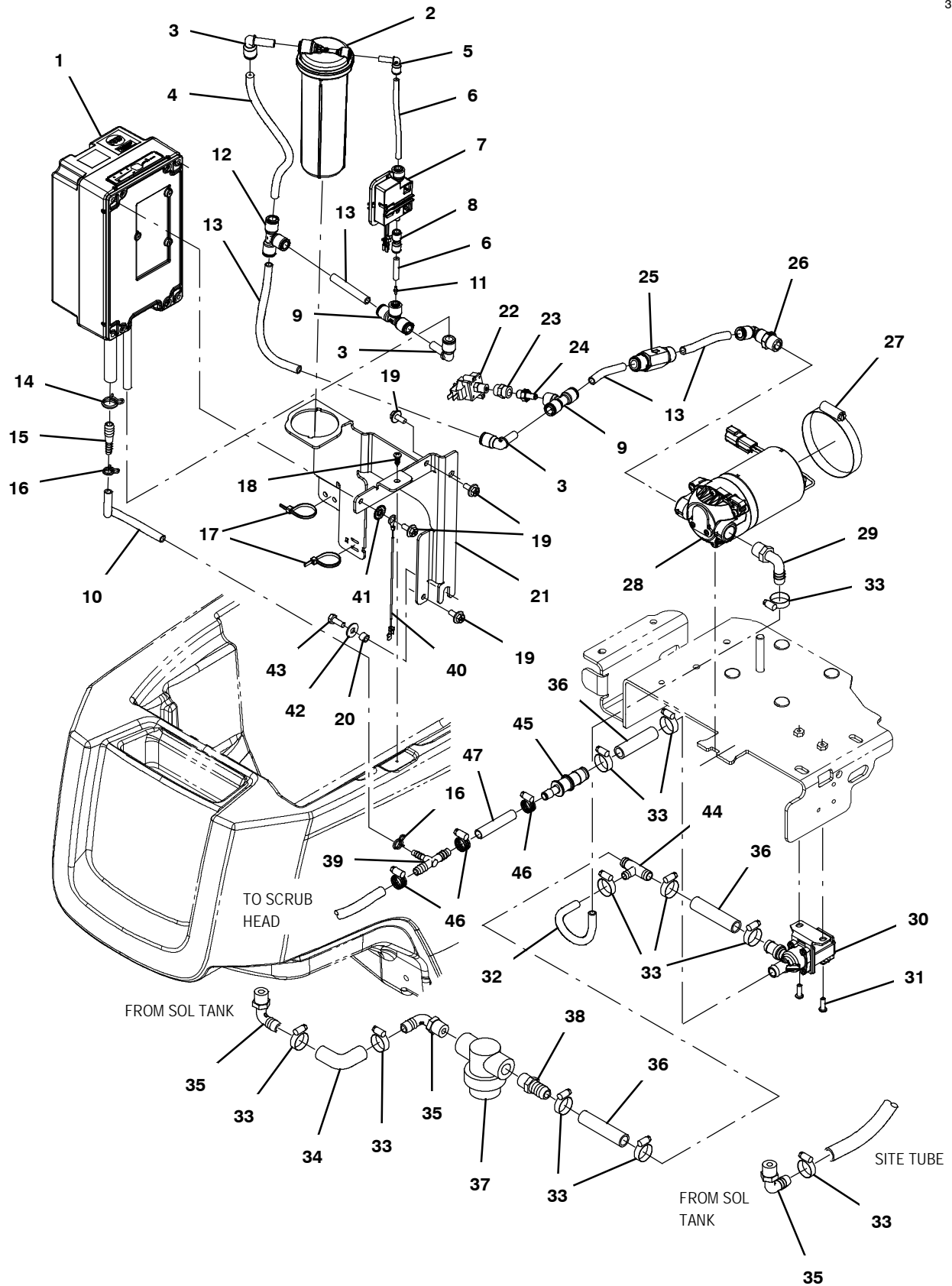
▽ ASSEMBLY

▲ INCLUDED IN ASSEMBLY

STANDARD PARTS

SOLUTION GROUP, STANDARD MODEL ec- H20 (S/N 11009738 - 11056739) (NEW BARB CONNECTOR STYLE)

355834



**SOLUTION GROUP, STANDARD MODEL ec-H20 (S/N 11009738 - 11056739)
(NEW BARB CONNECTOR STYLE)**

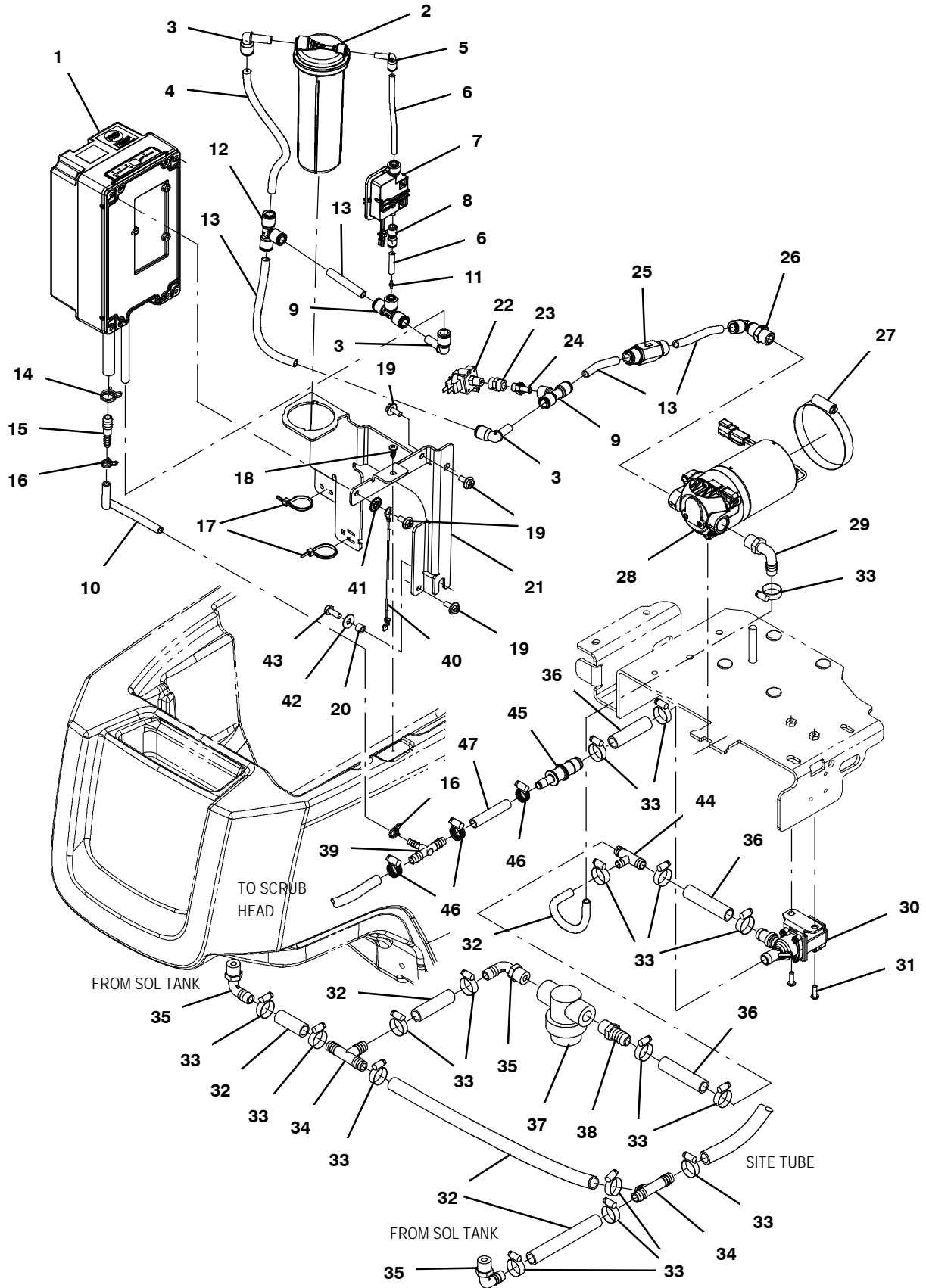
Ref.	Part No.	Serial Number	Description	Qty.
▽	1	9020643	(10998111- 20000000) Module Kit, Replmt [Ec- H2o, B 02] (See Breakdowns)	1
▲	6	9013646	(10000000- 20000000) Cartridge, Ec- H2o Nanoclean Wcm, 270ml	1
	3	1215186	(10000000- 20000000) Fitting, Plstc, E90, Qf06/Qm06	3
	4	9014146	(10000000- 20000000) Hose, Afrmkt, Pvc, 0.06id .38od, 05ft	1
	5	1214339	(10000000- 20000000) Fitting, Plstc, E90, Qfo4/Qm04	1
	6	9014147	(10000000- 20000000) Hose, Afrmkt, Pvc, 0.06id .25od, 05ft	1
	7	1216973	(10000000- 20000000) Pump Assy, Dispenser	1
	8	1218192	(10000000- 20000000) Fitting, Plstc, Str, Qf04/Qf04	1
	9	1212855	(10000000- 20000000) Fitting, Plstc, Tee, Qf04/Qf06/Qf06	2
	10	1006415	(10000000- 20000000) Hose, Afrmkt, Pvc, Clr, 0.25id, 03ft	1
	11	1214972	(10000000- 20000000) Fitting, Orifice, Str, Bm01/Bm01	1
	12	1212573	(10000000- 20000000) Fitting, Plstc, Tee, Qf06/Qf06/Qf06	1
	13	9014148	(10000000- 20000000) Hose, Afrmkt, Nat, 0.25id 0.375od, 06ft	1
	14	607775	(10000000- 20000000) Clamp, Hose, Wir, .63 - .66, Blk	8
	15	1039557	(10000000- 20000000) Fitting, Plstc, Str, Bm04/Bm06	1
	16	613735	(10000000- 20000000) Clamp, Hose, Wir, .40 - .42, Yel	2
	17	130773	(10000000- 20000000) Tie, Cable, Nyl, 11.0l, .14w, 3.0 Max. D	2
	18	1018155	(10000000- 20000000) Screw, Pan, Phl, M5 X 0.80 X 16, Tcut, Ss	1
	19	1034731	(10000000- 20000000) Screw, Hex, M6 X 1.00 X 16, Sems, Ss	5
	20	140154	(10000000- 20000000) Sleeve, P/M, 0.25b 0.38d 0.3l, PI	1
	21	1209249	(10000000- 20000000) Bracket, Mtg, Ec- H20 Module [T300]	1
	22	1044335	(10000000- 20000000) Switch, Press, 6psi, Pm02	1
	23	150307	(10000000- 20000000) Fitting, Brs, Str, Pf02/Pf02, Cplg	1
	24	1216185	(10000000- 20000000) Fitting, Plstc, Str, Qm04/Pm02	1
	25	1215527	(10000000- 20000000) Valve, Check, 1.0 Psi Qf06/Qf06	1
	26	1212812	(10000000- 20000000) Fitting, Plstc, E90, Qf06/Pm06, Swivel	1
	27	43555	(10000000- 20000000) Clamp, Hose, Wormdrive, 2.62- 3.50d	1
	28	1210517	(10000000- 20000000) Pump, Soltn, Ele, 24vdc, 35 Psi	1
	29	64778	(10978370- 20000000) Fitting, Plstc, E90, Bm08/Pm06	1
	30	1214973	(10978370- 11056739) Valve, Water, Solenoid, 24vdc, Bm10/Bm10	1
	31	1205799	(10000000- 20000000) Screw, Btn, M5 X 0.8 X 16, 8.8, NI, Torx	2
	32	1015068	(10978370- 20000000) Hose, Afrmkt, Pvc, Clr, 0.50id, 03ft	1
	33	54333	(11009738- 11056739) Clamp, Hose, Wormdrive, 0.31- 0.88d, .31w	10
	34	1048278	(11009738- 20000000) Hose, Pvc, Clr, E90 0.63id 0.75od	1
	35	64778	(10978370- 20000000) Fitting, Plstc, E90, Bm08/Pm06	3
	36	1035355	(10978370- 11056739) Hose, Afrmkt, Pvc, Clr, 0.62id, 02ft	1
▽	37	1211537	(10000000- 20000000) Filter, In- Line, Pf06/Pf06 080m 2.6l Epd	1
▲		1218885	(10000000- 20000000) Gasket [Epdm, F/1211537]	1
▲		1218883	(10000000- 20000000) Screen, Fltr, 80 Mesh, Ss [W/ Cage]	1
▲		613991	(10000000- 20000000) Bowl, Clr, Short, F/1005302	1
	38	1013900	(10978370- 11056739) Fitting, Plstc, Str, Bm10/Pm06, Nyl	1
	39	50895	(10978370- 20000000) Fitting, Plstc, Tee, Bm04/Bm06/Bm06, Br	1
	40	1074344	(10000000- 20000000) Harness, Ele [Ring With .250m Tail]	1
	41	41140	(10000000- 20000000) Washer, Lock, Int- Ext, 0.25	1
	42	01684	(10000000- 20000000) Washer, Flat, 0.27b 0.69d .05, Ss	1
	43	12277	(10000000- 20000000) Screw, Hex, M6 X 1.00 X 20, NI, Ss	1
	44	1015486	(10978370- 11056739) Fitting, Plstc, Tee, Bm08/Bm10/Bm10, Br	1
	45	1243167	(10978370- 11056739) Fitting, Plstc, Str, Bm06/Bm10	1
	46	43844	(10978370- 11056739) Clamp, Hose, Wormdrive, 0.25- 0.62d, .31w	3
	47	1014929	(10978370- 20000000) Hose, Afrmkt, Pvc, Clr, 0.38id, 01ft	1

▽ ASSEMBLY

▲ INCLUDED IN ASSEMBLY

SOLUTION GROUP, STANDARD MODEL ec-H20 (S/N 10978370 - 11009737)
(NEW BARB CONNECTOR STYLE)

355761

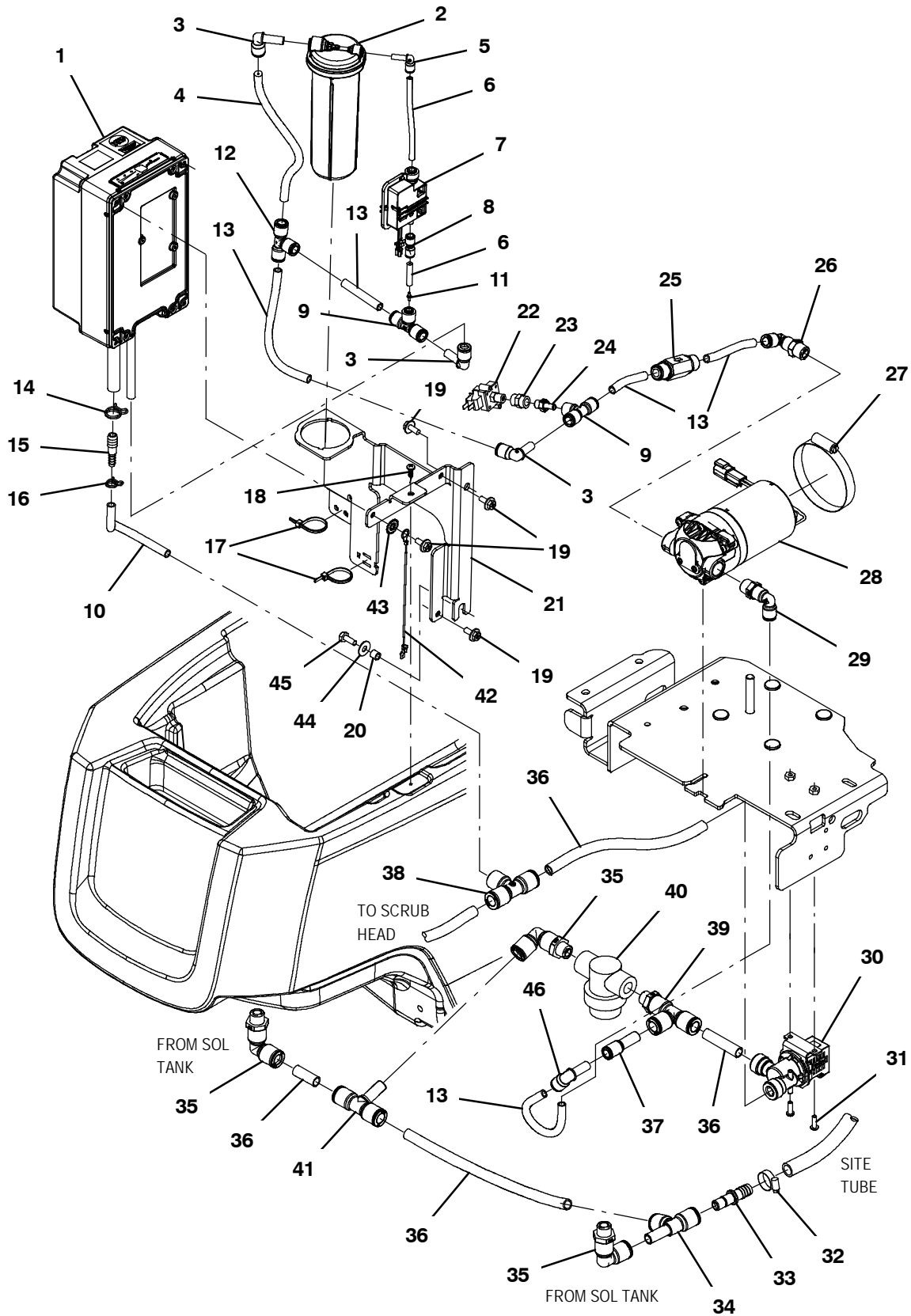


**SOLUTION GROUP, STANDARD MODEL ec-H20 (S/N 10978370 - 11009737)
(NEW BARB CONNECTOR STYLE)**

Ref.	Part No.	Serial Number	Description	Qty.
▽	1	9020643	(10998111- 20000000) Module Kit, Replmt [Ec- H2o, B 02] (See Breakdowns)	1
▽	1	9011810	(10000000- 10998110) Module Kit, Replmt [Ec- H2o, B 02] (See Breakdowns) (Replaced By 9020643)	1
▲	2	9013646	(10000000- 20000000) Cartridge, Ec- H2o Nanoclean Wcm, 270ml	1
	3	1215186	(10000000- 20000000) Fitting, Plstc, E90, Qf06/Qm06	3
	4	9014146	(10000000- 20000000) Hose, Afmkt, Pvc, 0.06id .38od, 05ft	1
	5	1214339	(10000000- 20000000) Fitting, Plstc, E90, Qfo4/Qm04	1
	6	9014147	(10000000- 20000000) Hose, Afmkt, Pvc, 0.06id .25od, 05ft	1
	7	1216973	(10000000- 20000000) Pump Assy, Dispenser	1
	8	1218192	(10000000- 20000000) Fitting, Plstc, Str, Qf04/Qf04	1
	9	1212855	(10000000- 20000000) Fitting, Plstc, Tee, Qf04/Qf06/Qf06	2
	10	1006415	(10000000- 20000000) Hose, Afmkt, Pvc, Clr, 0.25id, 03ft	1
	11	1214972	(10000000- 20000000) Fitting, Orifice, Str, Bm01/Bm01	1
	12	1212573	(10000000- 20000000) Fitting, Plstc, Tee, Qf06/Qf06/Qf06	1
	13	9014148	(10000000- 20000000) Hose, Afmkt, Nat, 0.25id 0.375od, 06ft	1
	14	607775	(10000000- 20000000) Clamp, Hose, Wir, .63 - .66, Blk	8
	15	1039557	(10000000- 20000000) Fitting, Plstc, Str, Bm04/Bm06	1
	16	613735	(10000000- 20000000) Clamp, Hose, Wir, .40 - .42, Yel	2
	17	130773	(10000000- 20000000) Tie, Cable, Nyl, 11.0l, .14w, 3.0 Max. D	2
	18	1018155	(10000000- 20000000) Screw, Pan, Phl, M5 X 0.80 X 16, Tcut, Ss	1
	19	1034731	(10000000- 20000000) Screw, Hex, M6 X 1.00 X 16, Sems, Ss	5
	20	140154	(10000000- 20000000) Sleeve, P/M, 0.25b 0.38d 0.3l, PI	1
	21	1209249	(10000000- 20000000) Bracket, Mtg, Ec- H20 Module [T300]	1
	22	1044335	(10000000- 20000000) Switch, Press, 6psi, Pm02	1
	23	150307	(10000000- 20000000) Fitting, Brs, Str, Pf02/Pf02, Cplg	1
	24	1216185	(10000000- 20000000) Fitting, Plstc, Str, Qm04/Pm02	1
	25	1215527	(10000000- 20000000) Valve, Check, 1.0 Psi Qf06/Qf06	1
	26	1212812	(10000000- 20000000) Fitting, Plstc, E90, Qf06/Pm06, Swivel	1
	27	43555	(10000000- 20000000) Clamp, Hose, Wormdrive, 2.62- 3.50d	1
	28	1210517	(10000000- 20000000) Pump, Soltn, Ele, 24vdc, 35 Psi	1
	29	64778	(10978370- 20000000) Fitting, Plstc, E90, Bm08/Pm06	1
	30	1214973	(10978370- 20000000) Valve, Water, Solenoid, 24vdc, Bm10/Bm10	1
	31	1205799	(10000000- 20000000) Screw, Btn, M5 X 0.8 X 16, 8.8, NI, Torx	2
	32	1015068	(10978370- 20000000) Hose, Afmkt, Pvc, Clr, 0.50id, 03ft	1
	33	54333	(10978370- 11009737) Clamp, Hose, Wormdrive, 0.31- 0.88d, .31w	16
	34	63245- 1	(10978370- 11009737) Fitting, Plstc, Tee, Bm08/Bm08/Bm08	2
	35	64778	(10978370- 20000000) Fitting, Plstc, E90, Bm08/Pm06	3
	36	1035355	(10978370- 20000000) Hose, Afmkt, Pvc, Clr, 0.62id, 02ft	1
▽	37	1211537	(10000000- 20000000) Filter, In- Line, Pf06/Pf06 080m 2.6l Epd	1
▲		1218885	(10000000- 20000000) Gasket [Epdm, F/1211537]	1
▲		1218883	(10000000- 20000000) Screen, Fltr, 80 Mesh, Ss [W/ Cage]	1
▲		613991	(10000000- 20000000) Bowl, Clr, Short, F/1005302	1
	38	1013900	(10978370- 20000000) Fitting, Plstc, Str, Bm10/Pm06, Nyl	1
	39	50895	(10978370- 20000000) Fitting, Plstc, Tee, Bm04/Bm06/Bm06, Br	1
	40	1074344	(10000000- 20000000) Harness, Ele [Ring With .250m Tail]	1
	41	41140	(10000000- 20000000) Washer, Lock, Int- Ext, 0.25	1
	42	01684	(10000000- 20000000) Washer, Flat, 0.27b 0.69d .05, Ss	1
	43	12277	(10000000- 20000000) Screw, Hex, M6 X 1.00 X 20, NI, Ss	1
	44	1015486	(10978370- 20000000) Fitting, Plstc, Tee, Bm08/Bm10/Bm10, Br	1
	45	1243167	(10978370- 20000000) Fitting, Plstc, Str, Bm06/Bm10	1
	46	43844	(10978370- 20000000) Clamp, Hose, Wormdrive, 0.25- 0.62d, .31w	3
	47	1014929	(10978370- 20000000) Hose, Afmkt, Pvc, Clr, 0.38id, 01ft	1

SOLUTION GROUP, STANDARD MODEL ec-H20
(ORIGINAL PUSH QUICK CONNECTOR STYLE)

355310



**SOLUTION GROUP, STANDARD MODEL ec- H2O
(ORIGINAL PUSH QUICK CONNECTOR STYLE)**

Ref.	Part No.	Serial Number	Description	Qty.
▽	1	9011810	(10000000- 10998110) Module Kit, Replmt [Ec- H2o, B 02] (See Breakdowns) (Replaced By 9020643)	1
▲	2	9013646	(10000000- 20000000) Cartridge, Ec- H2o Nanoclean Wcm, 270ml	1
	3	1215186	(10000000- 20000000) Fitting, Plstc, E90, Qf06/Qm06	3
	4	9014146	(10000000- 20000000) Hose, Afmkt, Pvc, 0.06id .38od, 05ft	1
	5	1214339	(10000000- 20000000) Fitting, Plstc, E90, Qfo4/Qm04	1
	6	9014147	(10000000- 20000000) Hose, Afmkt, Pvc, 0.06id .25od, 05ft	1
	7	1216973	(10000000- 20000000) Pump Assy, Dispenser	1
	8	1218192	(10000000- 20000000) Fitting, Plstc, Str, Qf04/Qf04	1
	9	1212855	(10000000- 20000000) Fitting, Plstc, Tee, Qf04/Qf06/Qf06	2
	10	1006415	(10000000- 20000000) Hose, Afmkt, Pvc, Clr, 0.25id, 03ft	1
	11	1214972	(10000000- 20000000) Fitting, Orifice, Str, Bm01/Bm01	1
	12	1212573	(10000000- 20000000) Fitting, Plstc, Tee, Qf06/Qf06/Qf06	1
	13	9014148	(10000000- 20000000) Hose, Afmkt, Nat, 0.25id 0.375od, 06ft	1
	14	607775	(10000000- 20000000) Clamp, Hose, Wir, .63 - .66, Blk	1
	15	1039557	(10000000- 20000000) Fitting, Plstc, Str, Bm04/Bm06	1
	16	613735	(10000000- 20000000) Clamp, Hose, Wir, .40 - .42, Yel	1
	17	130773	(10000000- 20000000) Tie, Cable, Nyl, 11.0l, .14w, 3.0 Max. D	2
	18	1018155	(10000000- 20000000) Screw, Pan, Phl, M5 X 0.80 X 16, Tcut, Ss	1
	19	1034731	(10000000- 20000000) Screw, Hex, M6 X 1.00 X 16, Sems, Ss	5
	20	140154	(10000000- 20000000) Sleeve, P/M, 0.25b 0.38d 0.3l, PI	1
	21	1209249	(10000000- 20000000) Bracket, Mtg, Ec- H2O Module [T300]	1
	22	1044335	(10000000- 20000000) Switch, Press, 6psi, Pm02	1
	23	150307	(10000000- 20000000) Fitting, Brs, Str, Pf02/Pf02, Cplg	1
	24	1216185	(10000000- 20000000) Fitting, Plstc, Str, Qm04/Pm02	1
	25	1215527	(10000000- 20000000) Valve, Check, 1.0 Psi Qf06/Qf06	1
	26	1212812	(10000000- 20000000) Fitting, Plstc, E90, Qf06/Pm06, Swivel	1
	27	43555	(10000000- 20000000) Clamp, Hose, Wormdrive, 2.62- 3.50d	1
	28	1210517	(10000000- 20000000) Pump, Soltn, Ele, 24vdc, 35 Psi	1
	29	1212812	(10000000- 20000000) Fitting, Plstc, E90, Qf06/Pm06, Swivel	1
	30	1211424	(10000000- 10978369) Valve, Water, Solenoid, 24vdc Qf08/Qf08	1
	31	1205799	(10000000- 20000000) Screw, Btn, M5 X 0.8 X 16, 8.8, NI, Torx	2
	32	54333	(10000000- 10978369) Clamp, Hose, Wormdrive, 0.31- 0.88d, .31w	1
	33	1212807	(10000000- 10978369) Fitting, Plstc, Str, Qm08/Bm08	1
	34	1212806	(10000000- 10978369) Fitting, Plstc, Tee, Qf08/Qf08/Qm08	1
	35	1212987	(10000000- 10978369) Fitting, Plstc, E90, Qf08/Pm06, Swivel	3
	36	9014145	(10000000- 10978369) Hose, Afmkt, Pe, .375id .50od, 05ft	1
	37	1215218	(10000000- 10978369) Fitting, Plstc, Str, Qf06/Qm08	1
	38	1212875	(10000000- 10978369) Fitting, Plstc, Tee, Qf06/Qf08/Qf08	1
	39	1212808	(10000000- 10978369) Fitting, Plstc, Tee, Qf08/Qf08/Pm06	1
▽	40	1211537	(10000000- 20000000) Filter, In- Line, Pf06/Pf06 080m 2.6l Epd	1
▲		1218885	(10000000- 20000000) Gasket [Epdm, F/1211537]	1
▲		1218883	(10000000- 20000000) Screen, Fltr, 80 Mesh, Ss [W/ Cage]	1
▲		613991	(10000000- 20000000) Bowl, Clr, Short, F/1005302	1
	41	1212810	(10000000- 10978369) Fitting, Plstc, Tee, Qm08/Qf08/Qf08	1
	42	1074344	(10000000- 20000000) Harness, Ele [Ring With .250m Tail]	1
	43	41140	(10000000- 20000000) Washer, Lock, Int- Ext, 0.25	1
	44	01684	(10000000- 20000000) Washer, Flat, 0.27b 0.69d .05, Ss	1
	45	12277	(10000000- 20000000) Screw, Hex, M6 X 1.00 X 20, NI, Ss	1
	46	1215186	(10890202- 10978369) Fitting, Plstc, E90, Qf06/Qm06	1

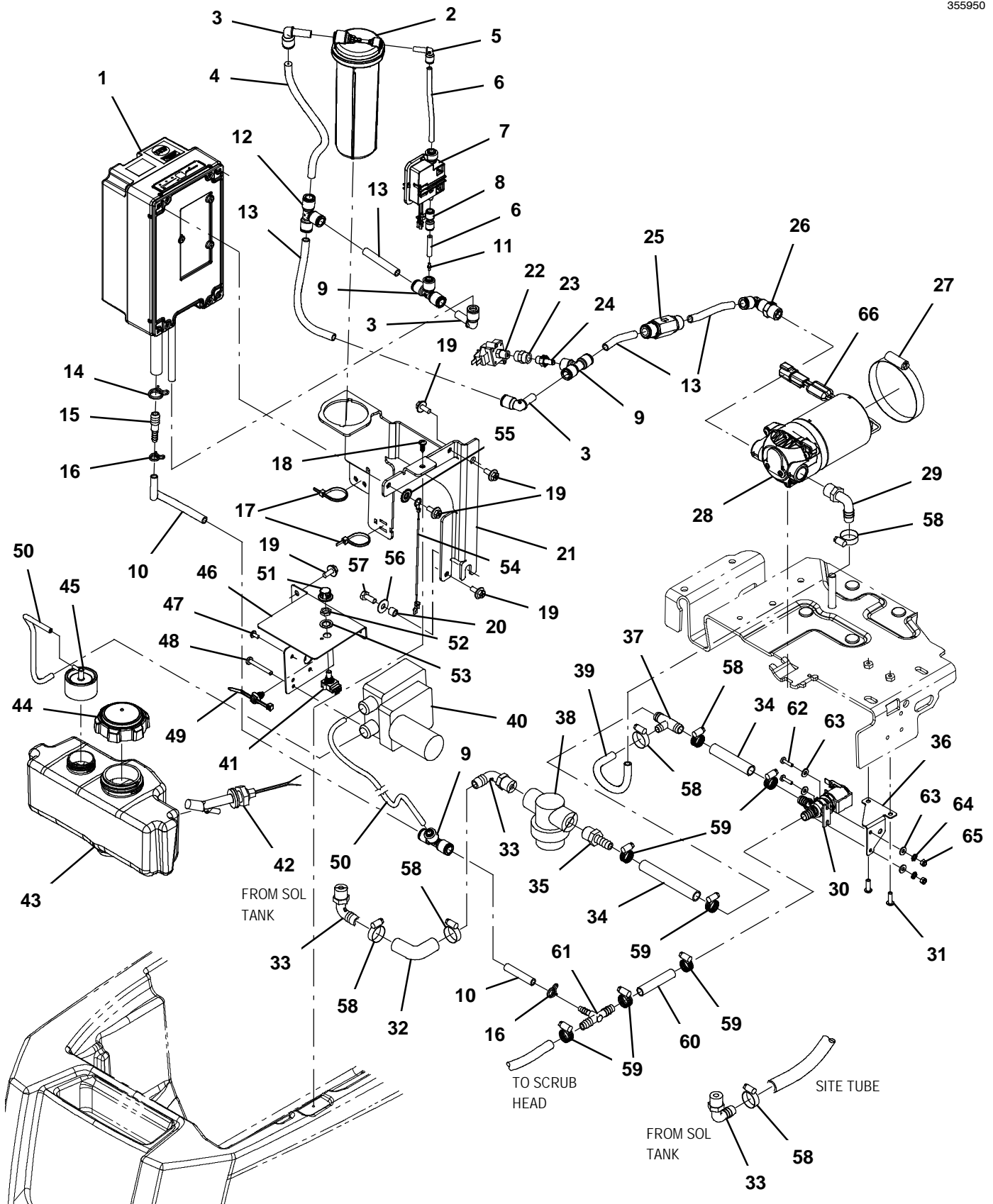
▽ ASSEMBLY

▲ INCLUDED IN ASSEMBLY

STANDARD PARTS

SOLUTION GROUP, STANDARD MODEL ec- H20 & SEVERE ENVIRONMENT (S/N 11056740 -) (NEW BARB CONNECTOR STYLE)

355950



**SOLUTION GROUP, STANDARD MODEL ec- H2O & SEVERE ENVIRONMENT
(S/N 11056740 -) (NEW BARB CONNECTOR STYLE)**

Ref.	Part No.	Serial Number	Description	Qty.
▽	1	9021553	(OCT2022- 20000000) Module Kit, Replmt [Ec- H2o, B 02] (See Breakdowns)	1
▲	2	9013646	(10000000- 20000000) Cartridge, Ec- H2o Nanoclean Wcm, 270ml	1
	3	1215186	(10000000- 20000000) Fitting, Plstc, E90, Qf06/Qm06	1
	4	9014146	(10000000- 20000000) Hose, Afmkt, Pvc, 0.06id .38od, 05ft	1
	5	1214339	(10000000- 20000000) Fitting, Plstc, E90, Qfo4/Qm04	1
	6	9014147	(10000000- 20000000) Hose, Afmkt, Pvc, 0.06id .25od, 05ft	1
	7	1216973	(10000000- 20000000) Pump Assy, Dispenser	1
	8	1218192	(10000000- 20000000) Fitting, Plstc, Str, Qf04/Qf04	1
	9	1212855	(10000000- 20000000) Fitting, Plstc, Tee, Qf04/Qf06/Qf06	3
	10	1006415	(10000000- 20000000) Hose, Afmkt, Pvc, Clr, 0.25id, 03ft	1
	11	1214972	(10000000- 20000000) Fitting, Orifice, Str, Bm01/Bm01	1
	12	1212573	(10000000- 20000000) Fitting, Plstc, Tee, Qf06/Qf06/Qf06	1
	13	9014148	(10000000- 20000000) Hose, Afmkt, Nat, 0.25id 0.375od, 06ft	1
	14	607775	(10000000- 20000000) Clamp, Hose, Wir, .63 - .66, Blk	8
	15	1039557	(10000000- 20000000) Fitting, Plstc, Str, Bm04/Bm06	1
	16	613735	(10000000- 20000000) Clamp, Hose, Wir, .40 - .42, Yel	2
	17	130773	(10000000- 20000000) Tie, Cable, Nyl, 11.0l, .14w, 3.0 Max. D	2
	18	1018155	(10000000- 20000000) Screw, Pan, Phl, M5 X 0.80 X 16, Tcut, Ss	1
	19	1034731	(10000000- 20000000) Screw, Hex, M6 X 1.00 X 16, Sems, Ss	7
	20	140154	(10000000- 20000000) Sleeve, P/M, 0.25b 0.38d 0.3l, PI	1
	21	1209249	(10000000- 20000000) Bracket, Mtg, Ec- H2O Module [T300]	1
	22	1044335	(10000000- 20000000) Switch, Press, 6psi, Pm02	1
	23	150307	(10000000- 20000000) Fitting, Brs, Str, Pf02/Pf02, Cplg	1
	24	1216185	(10000000- 20000000) Fitting, Plstc, Str, Qm04/Pm02	1
	25	1215527	(10000000- 20000000) Valve, Check, 1.0 Psi Qf06/Qf06	1
	26	1212812	(10000000- 20000000) Fitting, Plstc, E90, Qf06/Pm06, Swivel	1
	27	43555	(10000000- 20000000) Clamp, Hose, Wormdrive, 2.62- 3.50d	1
	28	1210517	(10000000- 20000000) Pump, Soltn, Ele, 24vdc, 35 Psi	1
	29	150412	(10978370- 20000000) Fitting, Plstc, E90, Bm06/Pm06	1
	30	1248867	(11056740- 20000000) Valve, Water, Solenoid, 24vdc Bm06/Bm06	1
	31	1205799	(10000000- 20000000) Screw, Btn, M5 X 0.8 X 16, 8.8, NI, Torx	2
	32	1048278	(11009738- 20000000) Hose, Pvc, Clr, E90 0.63id 0.75od	1
	33	64778	(10978370- 20000000) Fitting, Plstc, E90, Bm08/Pm06	3
	34	1014939	(11056740- 20000000) Hose, Afmkt, Pvc, Clr, 0.38id, 02ft	1
	35	150538	(11056740- 20000000) Fitting, Plstc, Str, Bm06/Pm06	1
	36	1247965	(11056740- 20000000) Bracket, Valve	1
	37	1022556	(11056740- 20000000) Fitting, Plstc, Tee, Bm06/Bm06/Bm08	1
▽	38	1211537	(10000000- 20000000) Filter, In- Line, Pf06/Pf06 080m 2.6l Epd	1
▲		1218885	(10000000- 20000000) Gasket [Epdm, F/1211537]	1
▲		1218883	(10000000- 20000000) Screen, Fltr, 80 Mesh, Ss [W/ Cage]	1
▲		613991	(10000000- 20000000) Bowl, Clr, Short, F/1005302	1
	39	1015068	(10978370- 20000000) Hose, Afmkt, Pvc, Clr, 0.50id, 03ft	1

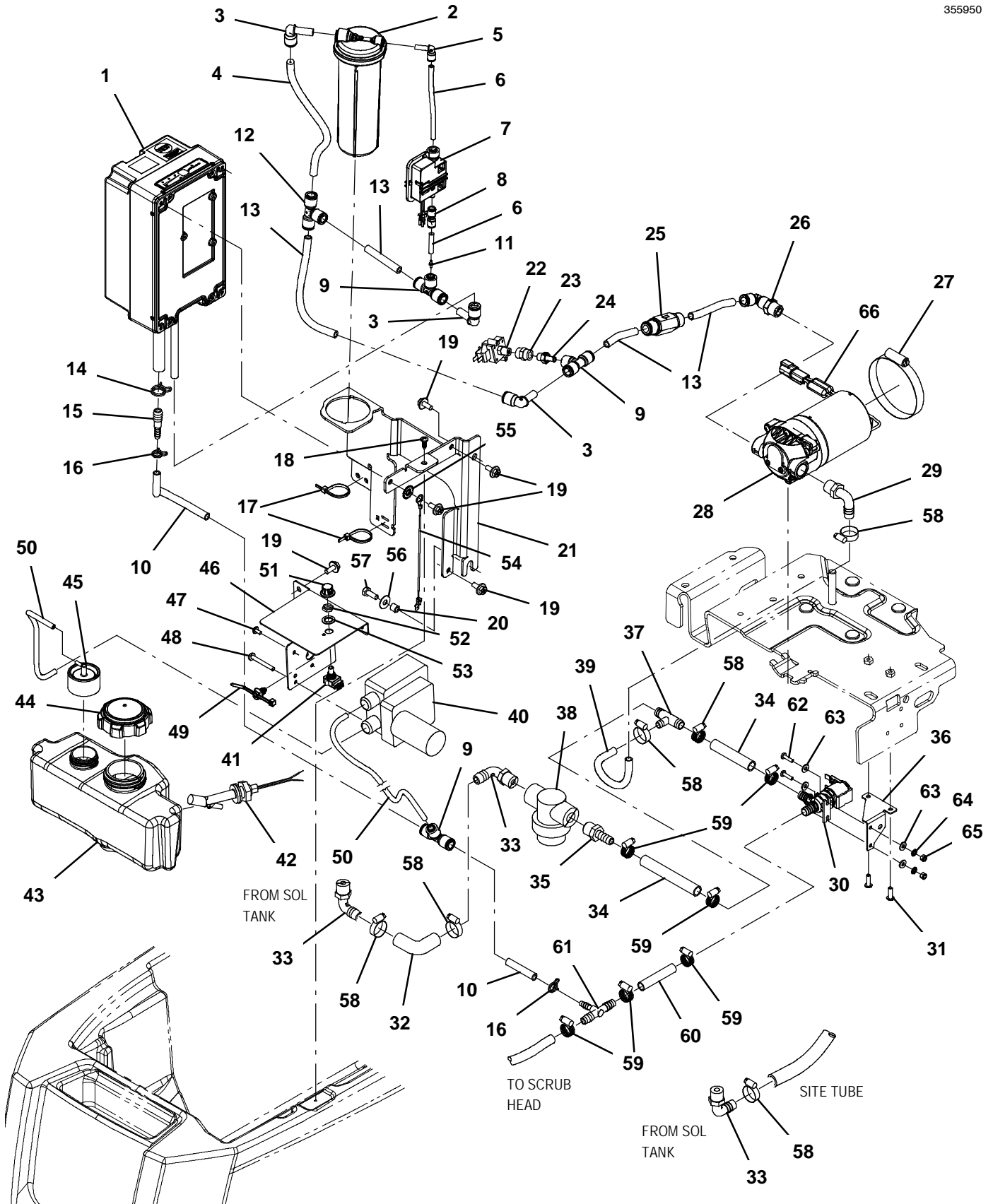
▽ ASSEMBLY

▲ INCLUDED IN ASSEMBLY

STANDARD PARTS

SOLUTION GROUP, STANDARD MODEL ec-H20 & SEVERE ENVIRONMENT - CONT'D (S/N 11056740 -) (NEW BARB CONNECTOR STYLE)

355950



**SOLUTION GROUP, STANDARD MODEL ec- H20 & SEVERE ENVIRONMENT - CONT'D
(S/N 11056740 -) (NEW BARB CONNECTOR STYLE)**

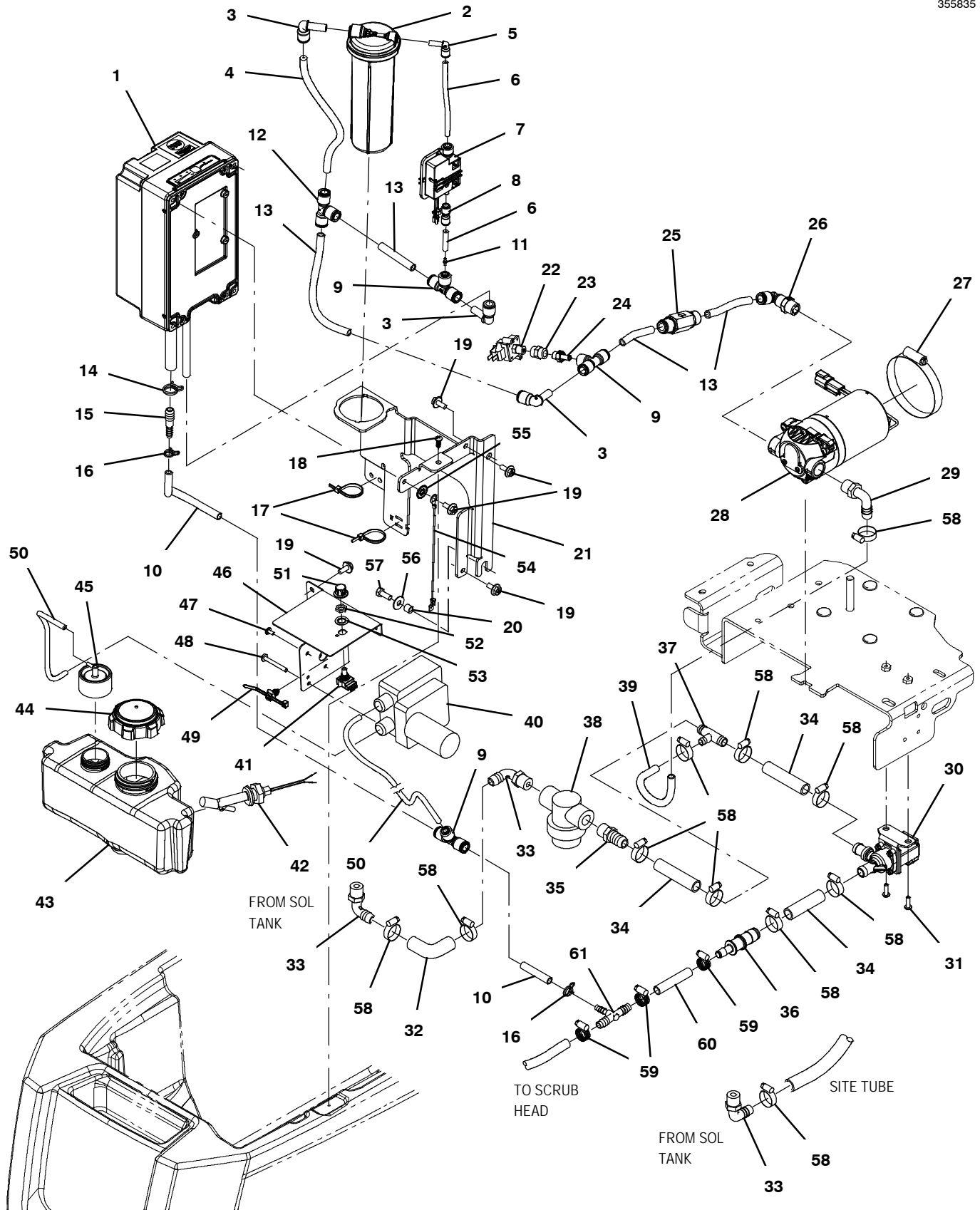
Ref.	Part No.	Serial Number	Description	Qty.
▽	40	1215698	(10000000- 20000000) Pump Assy, Detgt, 24 Vdc [T300]	1
▲		1208721	(10000000- 20000000) Pump, Detgt, 24vdc, 120rpm	1
▲		1219077	(10000000- 20000000) Hose Kit, Detgt [0.5cc]	1
▲	41	1211775	(10000000- 20000000) Potentiometer [5k, W/Leads And Conn.]	1
	42	1212430	(10000000- 20000000) Sensor, Level, Liq, 30watt, Spst	1
	43	1208289	(10000000- 20000000) Tank [1.5 Liter]	1
	44	1210442	(10000000- 20000000) Cap, Tank, 2.25 [Vented]	1
	45	1210437	(10000000- 20000000) Cap, Plstc, 38mm, Elbow Ftg	1
	46	1209151	(10000000- 20000000) Bracket, Mtg, Pump, Detgt	1
	47	609980	(10000000- 20000000) Screw, Trs, Phl, 08- 32 X 0.38, Sems	4
	48	17185	(10000000- 20000000) Screw, Pan, Phl, M5 X 0.80 X 40, Ss	2
	49	1210807	(10000000- 20000000) Wire, Tie [W/.25" Fir Tree Clip]	1
	50	613465	(10000000- 20000000) Hose, Pvc, Clr, 0.12id 0.25od 026.0l	1
	51	630265	(10000000- 20000000) Knob, Rnd, 0.75d 0.50l 0.25b, Plstc	1
	52	222607	(10000000- 20000000) Nut, Hex, Thin, .38- 32	1
	53	43953	(10000000- 20000000) Washer, Lock, Int, 0.38, Ss	1
	54	1074344	(10000000- 20000000) Harness, Ele [Ring With .250m Tail]	1
	55	41140	(10000000- 20000000) Washer, Lock, Int- Ext, 0.25	1
	56	01684	(10000000- 20000000) Washer, Flat, 0.27b 0.69d .05, Ss	1
	57	12277	(10000000- 20000000) Screw, Hex, M6 X 1.00 X 20, NI, Ss	1
	58	54333	(11056740- 20000000) Clamp, Hose, Wormdrive, 0.31- 0.88d, .31w	4
	59	43844	(11056740- 20000000) Clamp, Hose, Wormdrive, 0.25- 0.62d, .31w	7
	60	1014929	(10978370- 20000000) Hose, Afrmkt, Pvc, Clr, 0.38id, 01ft	1
	61	50895	(10978370- 20000000) Fitting, Plstc, Tee, Bm04/Bm06/Bm06, Br	1
	62	24265	(11056740- 20000000) Screw, Pan, Phl, M4 X 0.70 X 16, Ss	2
	63	41579	(11056740- 20000000) Washer, Flat, 08, Ss	4
	64	140061	(11056740- 20000000) Washer, Lock, Ext, 08, PI	2
	65	33932	(11056740- 20000000) Nut, Hex, Lock, M4 X 0.70, NI, Ss	2
	66	1227867	(10000000- 20000000) Inductor, Ferrite [Split Case,407@100hz]	2

▽ ASSEMBLY

▲ INCLUDED IN ASSEMBLY

SOLUTION GROUP, STANDARD MODEL ec- H20 & SEVERE ENVIRONMENT
(S/N 11009738 - 11056739) (NEW BARB CONNECTOR STYLE)

355835



**SOLUTION GROUP, STANDARD MODEL ec- H2O & SEVERE ENVIRONMENT
(S/N 11009738 - 11056739) (NEW BARB CONNECTOR STYLE)**

Ref.	Part No.	Serial Number	Description	Qty.
▽	1	9021553	(OCT2022- 20000000) Module Kit, Replmt [Ec- H2o, B 02] (See Breakdowns)	1
▽	1	9020643	(10998111- SEP2022) Module Kit, Replmt [Ec- H2o, B 02] (See Breakdowns) (Replaced By 9021553)	1
▲	2	9013646	(10000000- 20000000) Cartridge, Ec- H2o Nanoclean Wcm, 270ml	1
	3	1215186	(10000000- 20000000) Fitting, Plstc, E90, Qf06/Qm06	1
	4	9014146	(10000000- 20000000) Hose, Afmkt, Pvc, 0.06id .38od, 05ft	1
	5	1214339	(10000000- 20000000) Fitting, Plstc, E90, Qfo4/Qm04	1
	6	9014147	(10000000- 20000000) Hose, Afmkt, Pvc, 0.06id .25od, 05ft	1
	7	1216973	(10000000- 20000000) Pump Assy, Dispenser	1
	8	1218192	(10000000- 20000000) Fitting, Plstc, Str, Qf04/Qf04	1
	9	1212855	(10000000- 20000000) Fitting, Plstc, Tee, Qf04/Qf06/Qf06	3
	10	1006415	(10000000- 20000000) Hose, Afmkt, Pvc, Clr, 0.25id, 03ft	1
	11	1214972	(10000000- 20000000) Fitting, Orifice, Str, Bm01/Bm01	1
	12	1212573	(10000000- 20000000) Fitting, Plstc, Tee, Qf06/Qf06/Qf06	1
	13	9014148	(10000000- 20000000) Hose, Afmkt, Nat, 0.25id 0.375od, 06ft	1
	14	607775	(10000000- 20000000) Clamp, Hose, Wir, .63 - .66, Blk	8
	15	1039557	(10000000- 20000000) Fitting, Plstc, Str, Bm04/Bm06	1
	16	613735	(10000000- 20000000) Clamp, Hose, Wir, .40 - .42, Yel	2
	17	130773	(10000000- 20000000) Tie, Cable, Nyl, 11.0l, .14w, 3.0 Max. D	2
	18	1018155	(10000000- 20000000) Screw, Pan, Phl, M5 X 0.80 X 16, Tcut, Ss	1
	19	1034731	(10000000- 20000000) Screw, Hex, M6 X 1.00 X 16, Sems, Ss	7
	20	140154	(10000000- 20000000) Sleeve, P/M, 0.25b 0.38d 0.3l, PI	1
	21	1209249	(10000000- 20000000) Bracket, Mtg, Ec- H2O Module [T300]	1
	22	1044335	(10000000- 20000000) Switch, Press, 6psi, Pm02	1
	23	150307	(10000000- 20000000) Fitting, Brs, Str, Pf02/Pf02, Cplg	1
	24	1216185	(10000000- 20000000) Fitting, Plstc, Str, Qm04/Pm02	1
	25	1215527	(10000000- 20000000) Valve, Check, 1.0 Psi Qf06/Qf06	1
	26	1212812	(10000000- 20000000) Fitting, Plstc, E90, Qf06/Pm06, Swivel	1
	27	43555	(10000000- 20000000) Clamp, Hose, Wormdrive, 2.62- 3.50d	1
	28	1210517	(10000000- 20000000) Pump, Soltn, Ele, 24vdc, 35 Psi	1
	29	150412	(10978370- 20000000) Fitting, Plstc, E90, Bm06/Pm06	1
	30	1214973	(10978370- 11056739) Valve, Water, Solenoid, 24vdc, Bm10/Bm10	1
	31	1205799	(10000000- 20000000) Screw, Btn, M5 X 0.8 X 16, 8.8, NI, Torx	2
	32	1048278	(11009738- 20000000) Hose, Pvc, Clr, E90 0.63id 0.75od	1
	33	64778	(10978370- 20000000) Fitting, Plstc, E90, Bm08/Pm06	3
	34	1035355	(10978370- 11056739) Hose, Afmkt, Pvc, Clr, 0.62id, 02ft	1
	35	1013900	(10978370- 11056739) Fitting, Plstc, Str, Bm10/Pm06, Nyl	1
	36	1243167	(10978370- 11056739) Fitting, Plstc, Str, Bm06/Bm10	1
	37	1015486	(10978370- 11056739) Fitting, Plstc, Tee, Bm08/Bm10/Bm10, Br	1
▽	38	1211537	(10000000- 20000000) Filter, In- Line, Pf06/Pf06 080m 2.6l Epd	1
▲		1218885	(10000000- 20000000) Gasket [Epdm, F/1211537]	1
▲		1218883	(10000000- 20000000) Screen, Fltr, 80 Mesh, Ss [W/ Cage]	1
▲		613991	(10000000- 20000000) Bowl, Clr, Short, F/1005302	1
	39	1015068	(10978370- 20000000) Hose, Afmkt, Pvc, Clr, 0.50id, 03ft	1

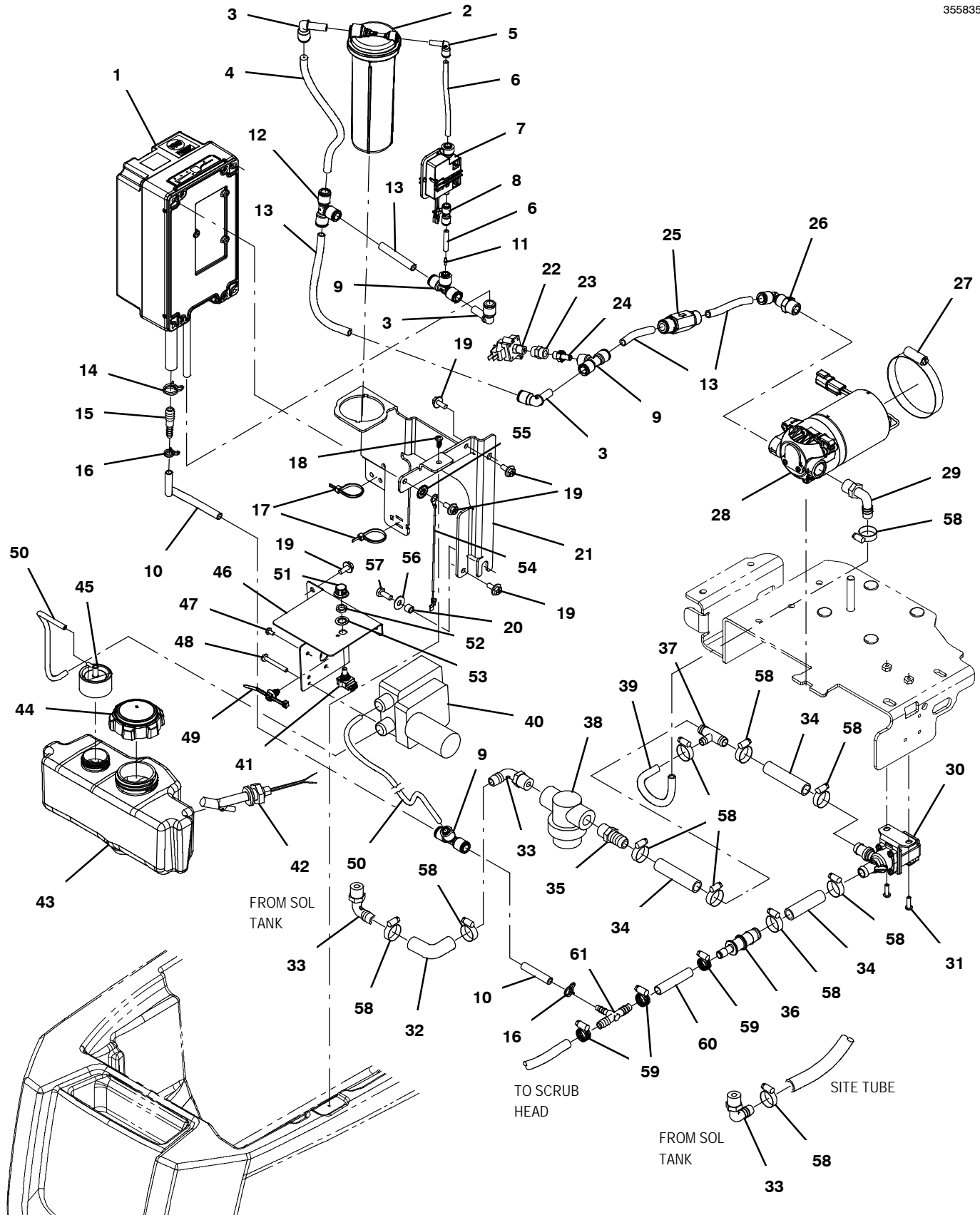
▽ ASSEMBLY

▲ INCLUDED IN ASSEMBLY

STANDARD PARTS

SOLUTION GROUP, STANDARD MODEL ec-H20 & SEVERE ENVIRONMENT - CONT'D (S/N 11009738 - 11056739) (NEW BARB CONNECTOR STYLE)

355835



**SOLUTION GROUP, STANDARD MODEL ec- H20 & SEVERE ENVIRONMENT - CONT'D
(S/N 11009738 - 11056739) (NEW BARB CONNECTOR STYLE)**

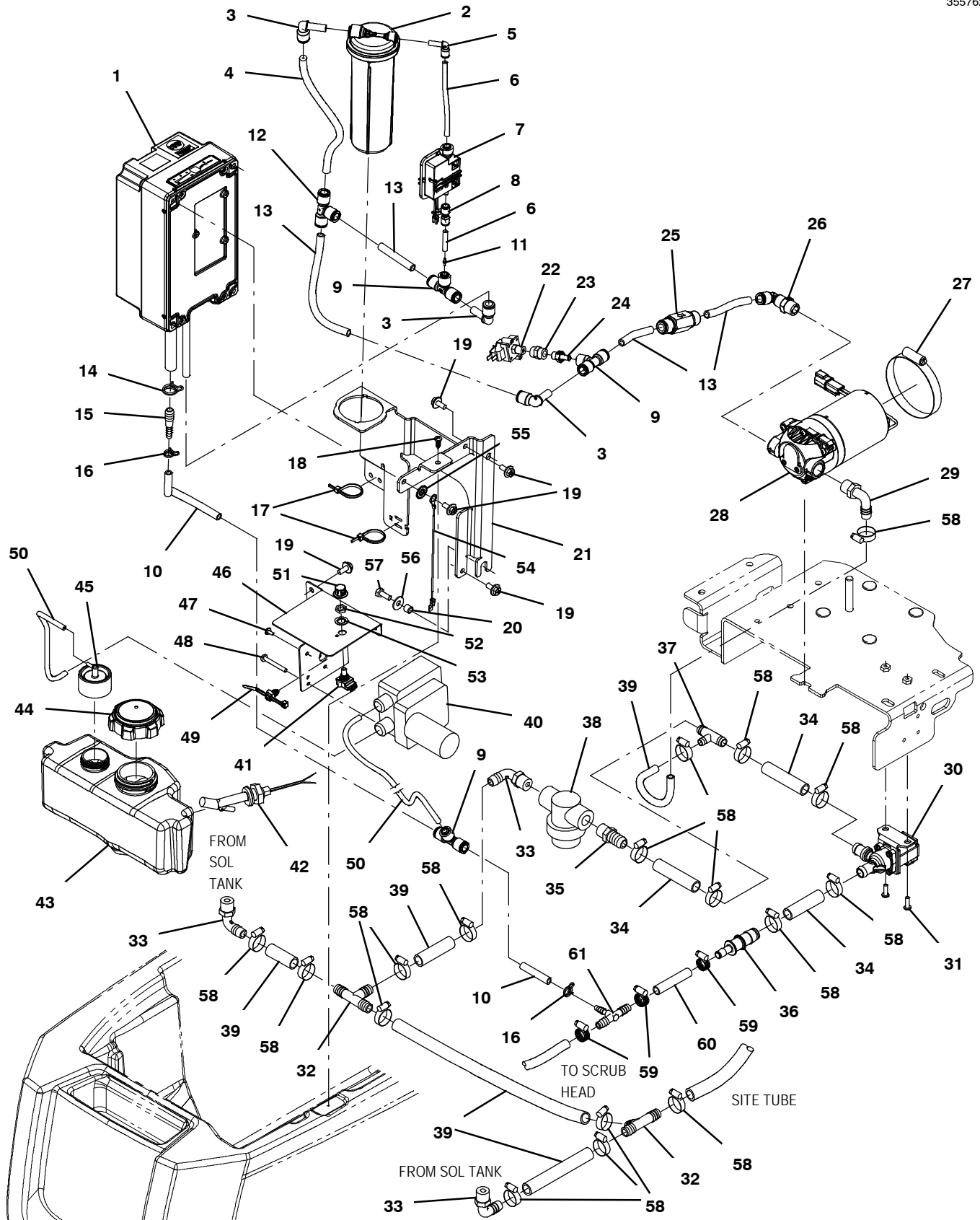
	Ref.	Part No.	Serial Number	Description	Qty.
▽	40	1215698	(10000000- 20000000)	Pump Assy, Detgt, 24 Vdc [T300]	1
▲		1208721	(10000000- 20000000)	Pump, Detgt, 24vdc, 120rpm	1
▲		1219077	(10000000- 20000000)	Hose Kit, Detgt [0.5cc]	1
▲	41	1211775	(10000000- 20000000)	Potentiometer [5k, W/Leads And Conn.]	1
	42	1212430	(10000000- 20000000)	Sensor, Level, Liq, 30watt, Spst	1
	43	1208289	(10000000- 20000000)	Tank [1.5 Liter]	1
	44	1210442	(10000000- 20000000)	Cap, Tank, 2.25 [Vented]	1
	45	1210437	(10000000- 20000000)	Cap, Plstc, 38mm, Elbow Ftg	1
	46	1209151	(10000000- 20000000)	Bracket, Mtg, Pump, Detgt	1
	47	609980	(10000000- 20000000)	Screw, Trs, Phl, 08- 32 X 0.38, Sems	4
	48	17185	(10000000- 20000000)	Screw, Pan, Phl, M5 X 0.80 X 40, Ss	2
	49	1210807	(10000000- 20000000)	Wire, Tie [W/.25" Fir Tree Clip]	1
	50	613465	(10000000- 20000000)	Hose, Pvc, Clr, 0.12id 0.25od 026.0l	1
	51	630265	(10000000- 20000000)	Knob, Rnd, 0.75d 0.50l 0.25b, Plstc	1
	52	222607	(10000000- 20000000)	Nut, Hex, Thin, .38- 32	1
	53	43953	(10000000- 20000000)	Washer, Lock, Int, 0.38, Ss	1
	54	1074344	(10000000- 20000000)	Harness, Ele [Ring With .250m Tail]	1
	55	41140	(10000000- 20000000)	Washer, Lock, Int- Ext, 0.25	1
	56	01684	(10000000- 20000000)	Washer, Flat, 0.27b 0.69d .05, Ss	1
	57	12277	(10000000- 20000000)	Screw, Hex, M6 X 1.00 X 20, NI, Ss	1
	58	54333	(11009738- 11056739)	Clamp, Hose, Wormdrive, 0.31- 0.88d, .31w	10
	59	43844	(10978370- 11056739)	Clamp, Hose, Wormdrive, 0.25- 0.62d, .31w	3
	60	1014929	(10978370- 20000000)	Hose, Afrmkt, Pvc, Clr, 0.38id, 01ft	1
	61	50895	(10978370- 20000000)	Fitting, Plstc, Tee, Bm04/Bm06/Bm06, Br	1

▽ ASSEMBLY

▲ INCLUDED IN ASSEMBLY

SOLUTION GROUP, STANDARD MODEL ec- H20 & SEVERE ENVIRONMENT
(S/N 10978370 - 11009737) (NEW BARB CONNECTOR STYLE)

355762



**SOLUTION GROUP, STANDARD MODEL ec- H2O & SEVERE ENVIRONMENT
(S/N 10978370 - 11009737) (NEW BARB CONNECTOR STYLE)**

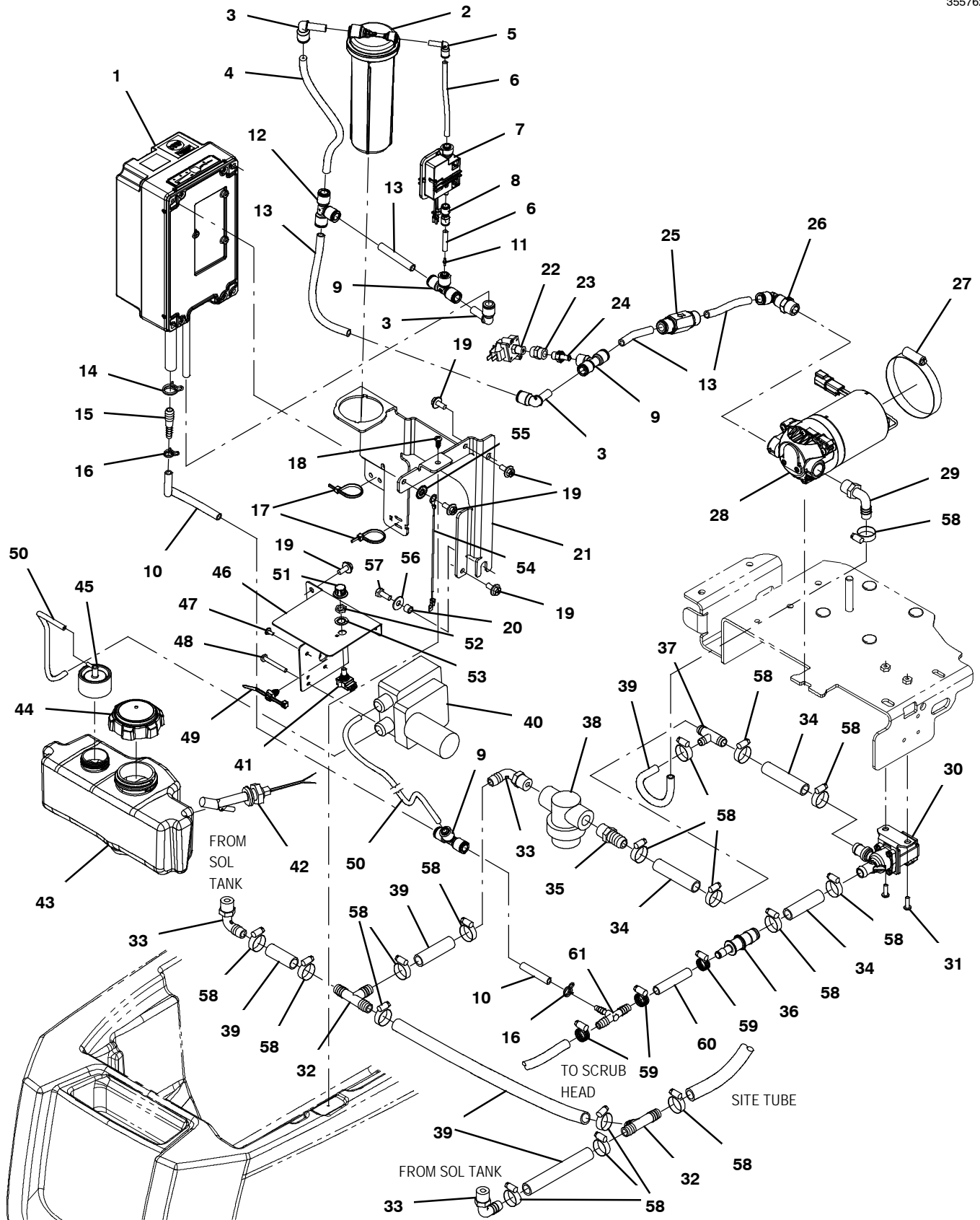
Ref.	Part No.	Serial Number	Description	Qty.
▽	1	9021553	(OCT2022- 20000000) Module Kit, Replmt [Ec- H2o, B 02] (See Breakdowns)	1
▽	1	9020643	(10998111- SEP2022) Module Kit, Replmt [Ec- H2o, B 02] (See Breakdowns) (Replaced By 9021553)	1
▽	1	9011810	(10000000- 10998110) Module Kit, Replmt [Ec- H2o, B 02] (See Breakdowns) (Replaced By 9021553)	1
▲	2	9013646	(10000000- 20000000) Cartridge, Ec- H2o Nanoclean Wcm, 270ml	1
	3	1215186	(10000000- 20000000) Fitting, Plstc, E90, Qf06/Qm06	1
	4	9014146	(10000000- 20000000) Hose, Afmkt, Pvc, 0.06id .38od, 05ft	1
	5	1214339	(10000000- 20000000) Fitting, Plstc, E90, Qfo4/Qm04	1
	6	9014147	(10000000- 20000000) Hose, Afmkt, Pvc, 0.06id .25od, 05ft	1
	7	1216973	(10000000- 20000000) Pump Assy, Dispenser	1
	8	1218192	(10000000- 20000000) Fitting, Plstc, Str, Qf04/Qf04	1
	9	1212855	(10000000- 20000000) Fitting, Plstc, Tee, Qf04/Qf06/Qf06	3
	10	1006415	(10000000- 20000000) Hose, Afmkt, Pvc, Clr, 0.25id, 03ft	1
	11	1214972	(10000000- 20000000) Fitting, Orifice, Str, Bm01/Bm01	1
	12	1212573	(10000000- 20000000) Fitting, Plstc, Tee, Qf06/Qf06/Qf06	1
	13	9014148	(10000000- 20000000) Hose, Afmkt, Nat, 0.25id 0.375od, 06ft	1
	14	607775	(10000000- 20000000) Clamp, Hose, Wir, .63 - .66, Blk	8
	15	1039557	(10000000- 20000000) Fitting, Plstc, Str, Bm04/Bm06	1
	16	613735	(10000000- 20000000) Clamp, Hose, Wir, .40 - .42, Yel	2
	17	130773	(10000000- 20000000) Tie, Cable, Nyl, 11.0l, .14w, 3.0 Max. D	2
	18	1018155	(10000000- 20000000) Screw, Pan, Phl, M5 X 0.80 X 16, Tcut, Ss	1
	19	1034731	(10000000- 20000000) Screw, Hex, M6 X 1.00 X 16, Sems, Ss	7
	20	140154	(10000000- 20000000) Sleeve, P/M, 0.25b 0.38d 0.3l, PI	1
	21	1209249	(10000000- 20000000) Bracket, Mtg, Ec- H2O Module [T300]	1
	22	1044335	(10000000- 20000000) Switch, Press, 6psi, Pm02	1
	23	150307	(10000000- 20000000) Fitting, Brs, Str, Pf02/Pf02, Cplg	1
	24	1216185	(10000000- 20000000) Fitting, Plstc, Str, Qm04/Pm02	1
	25	1215527	(10000000- 20000000) Valve, Check, 1.0 Psi Qf06/Qf06	1
	26	1212812	(10000000- 20000000) Fitting, Plstc, E90, Qf06/Pm06, Swivel	1
	27	43555	(10000000- 20000000) Clamp, Hose, Wormdrive, 2.62- 3.50d	1
	28	1210517	(10000000- 20000000) Pump, Soltn, Ele, 24vdc, 35 Psi	1
	29	150412	(10978370- 20000000) Fitting, Plstc, E90, Bm06/Pm06	1
	30	1214973	(10978370- 11009737) Valve, Water, Solenoid, 24vdc, Bm10/Bm10	1
	31	1205799	(10000000- 20000000) Screw, Btn, M5 X 0.8 X 16, 8.8, NI, Torx	2
	32	63245- 1	(10978370- 11009737) Fitting, Plstc, Tee, Bm08/Bm08/Bm08	2
	29	64778	(10978370- 20000000) Fitting, Plstc, E90, Bm08/Pm06	1
	33	64778	(10978370- 20000000) Fitting, Plstc, E90, Bm08/Pm06	3
	34	1035355	(10978370- 11009737) Hose, Afmkt, Pvc, Clr, 0.62id, 02ft	1
	35	1013900	(10978370- 11009737) Fitting, Plstc, Str, Bm10/Pm06, Nyl	1
	36	1243167	(10978370- 11009737) Fitting, Plstc, Str, Bm06/Bm10	1
	37	160310	(10978370- 20000000) Fitting, Plstc, Tee, Bm06/Bm06/Bm06	1
▽	38	1211537	(10000000- 20000000) Filter, In- Line, Pf06/Pf06 080m 2.6l Epd	1
▲		1218885	(10000000- 20000000) Gasket [Epdm, F/1211537]	1
▲		1218883	(10000000- 20000000) Screen, Fltr, 80 Mesh, Ss [W/ Cage]	1
▲		613991	(10000000- 20000000) Bowl, Clr, Short, F/1005302	1
	39	1015068	(10978370- 11009737) Hose, Afmkt, Pvc, Clr, 0.50id, 03ft	1

▽ ASSEMBLY

▲ INCLUDED IN ASSEMBLY

SOLUTION GROUP, STANDARD MODEL ec- H20 & SEVERE ENVIRONMENT
(S/N 10978370 - 11009737) - CONT'D (NEW BARB CONNECTOR STYLE)

355762



**SOLUTION GROUP, STANDARD MODEL ec- H20 & SEVERE ENVIRONMENT
(S/N 10978370 - 11009737) - CONT'D (NEW BARB CONNECTOR STYLE)**

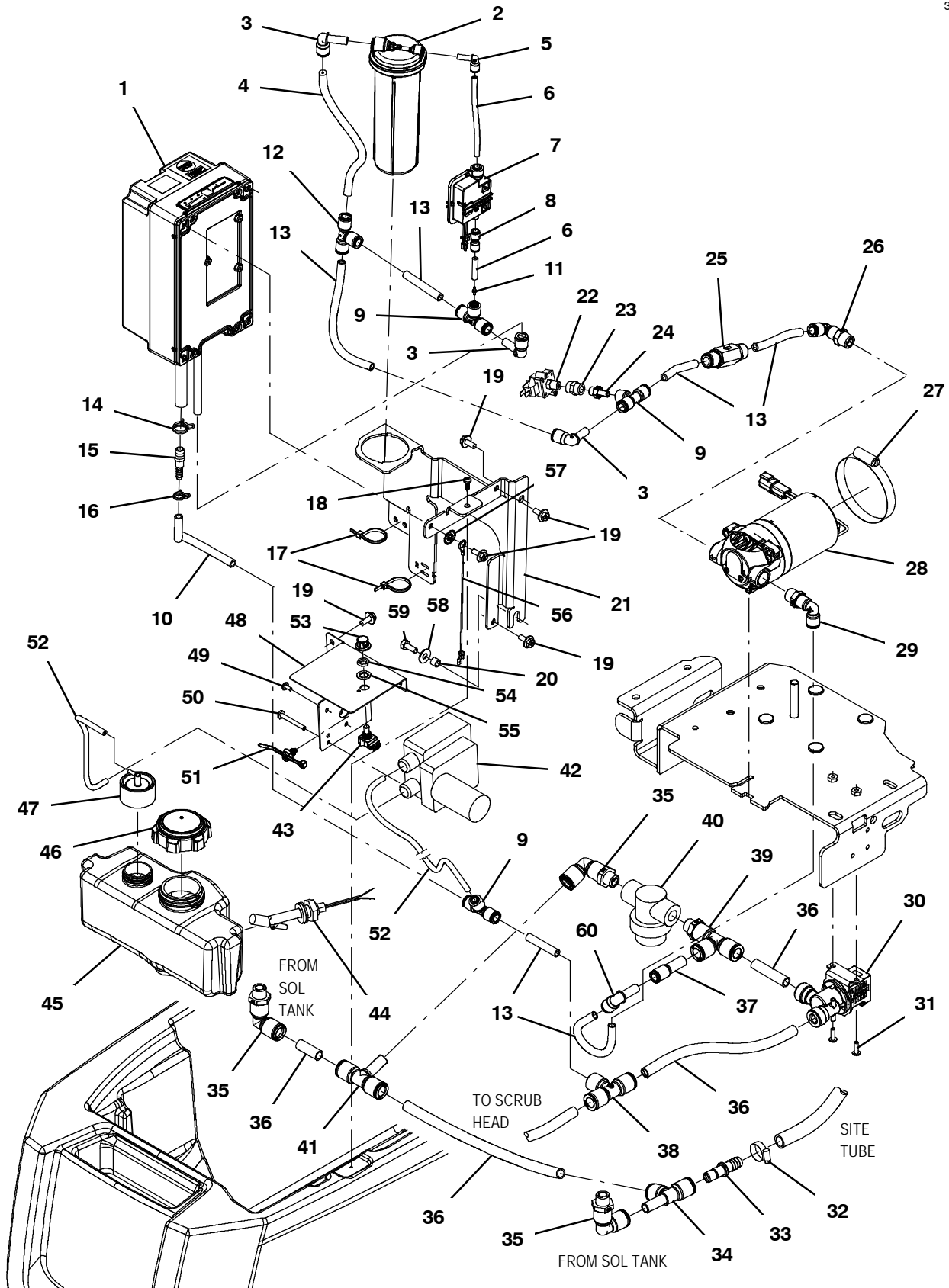
Ref.	Part No.	Serial Number	Description	Qty.
▽	40	1215698	(10000000- 20000000) Pump Assy, Detgt, 24 Vdc [T300]	1
▲		1208721	(10000000- 20000000) Pump, Detgt, 24vdc, 120rpm	1
▲		1219077	(10000000- 20000000) Hose Kit, Detgt [0.5cc]	1
▲	41	1211775	(10000000- 20000000) Potentiometer [5k, W/Leads And Conn.]	1
	42	1212430	(10000000- 20000000) Sensor, Level, Liq, 30watt, Spst	1
	43	1208289	(10000000- 20000000) Tank [1.5 Liter]	1
	44	1210442	(10000000- 20000000) Cap, Tank, 2.25 [Vented]	1
	45	1210437	(10000000- 20000000) Cap, Plstc, 38mm, Elbow Ftg	1
	46	1209151	(10000000- 20000000) Bracket, Mtg, Pump, Detgt	1
	47	609980	(10000000- 20000000) Screw, Trs, Phl, 08- 32 X 0.38, Sems	4
	48	17185	(10000000- 20000000) Screw, Pan, Phl, M5 X 0.80 X 40, Ss	2
	49	1210807	(10000000- 20000000) Wire, Tie [W/.25" Fir Tree Clip]	1
	50	613465	(10000000- 20000000) Hose, Pvc, Clr, 0.12id 0.25od 026.0l	1
	51	630265	(10000000- 20000000) Knob, Rnd, 0.75d 0.50l 0.25b, Plstc	1
	52	222607	(10000000- 20000000) Nut, Hex, Thin, .38- 32	1
	53	43953	(10000000- 20000000) Washer, Lock, Int, 0.38, Ss	1
	54	1074344	(10000000- 20000000) Harness, Ele [Ring With .250m Tail]	1
	55	41140	(10000000- 20000000) Washer, Lock, Int- Ext, 0.25	1
	56	01684	(10000000- 20000000) Washer, Flat, 0.27b 0.69d .05, Ss	1
	57	12277	(10000000- 20000000) Screw, Hex, M6 X 1.00 X 20, NI, Ss	1
	58	54333	(10978370- 11009737) Clamp, Hose, Wormdrive, 0.31- 0.88d, .31w	16
	59	43844	(10978370- 20000000) Clamp, Hose, Wormdrive, 0.25- 0.62d, .31w	3
	60	1014929	(10978370- 20000000) Hose, Afmkt, Pvc, Clr, 0.38id, 01ft	1
	61	50895	(10978370- 20000000) Fitting, Plstc, Tee, Bm04/Bm06/Bm06, Br	1

▽ ASSEMBLY

▲ INCLUDED IN ASSEMBLY

SOLUTION GROUP, STANDARD MODEL ec- H20 & SEVERE ENVIRONMENT
(ORIGINAL PUSH QUICK CONNECTOR STYLE)

355311



**SOLUTION GROUP, STANDARD MODEL ec- H2O & SEVERE ENVIRONMENT
(ORIGINAL PUSH QUICK CONNECTOR STYLE)**

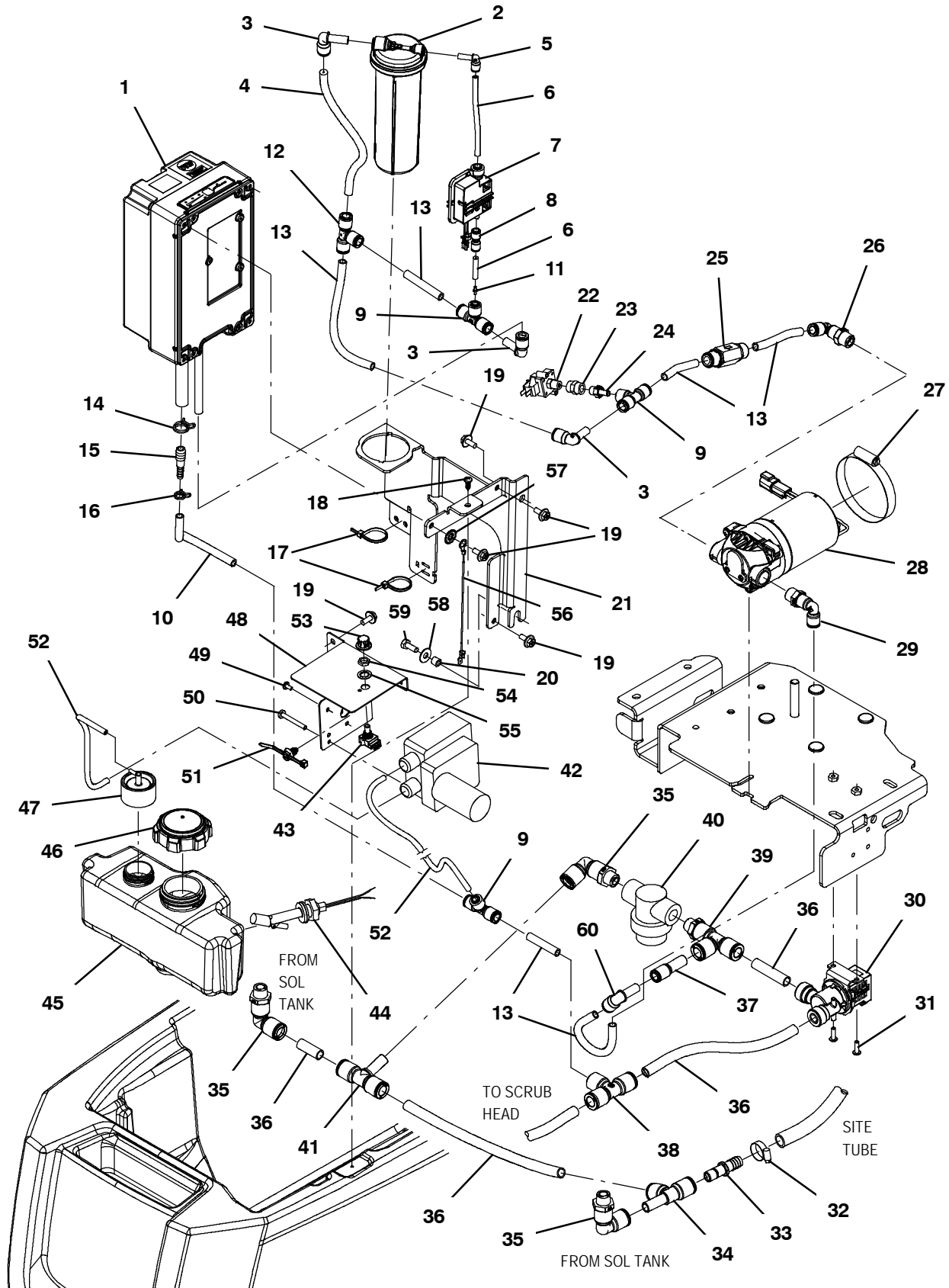
Ref.	Part No.	Serial Number	Description	Qty.
▽	1	9011810	(10000000- 10998110) Module Kit, Replmt [Ec- H2o, B 02] (See Breakdowns) (Replaced By 9021553)	1
▲	2	9013646	(10000000- 20000000) Cartridge, Ec- H2o Nanoclean Wcm, 270ml	1
	3	1215186	(10000000- 20000000) Fitting, Plstc, E90, Qf06/Qm06	1
	4	9014146	(10000000- 20000000) Hose, Afmkt, Pvc, 0.06id .38od, 05ft	1
	5	1214339	(10000000- 20000000) Fitting, Plstc, E90, Qfo4/Qm04	1
	6	9014147	(10000000- 20000000) Hose, Afmkt, Pvc, 0.06id .25od, 05ft	1
	7	1216973	(10000000- 20000000) Pump Assy, Dispenser	1
	8	1218192	(10000000- 20000000) Fitting, Plstc, Str, Qf04/Qf04	1
	9	1212855	(10000000- 20000000) Fitting, Plstc, Tee, Qf04/Qf06/Qf06	3
	10	1006415	(10000000- 20000000) Hose, Afmkt, Pvc, Clr, 0.25id, 03ft	1
	11	1214972	(10000000- 20000000) Fitting, Orifice, Str, Bm01/Bm01	1
	12	1212573	(10000000- 20000000) Fitting, Plstc, Tee, Qf06/Qf06/Qf06	1
	13	9014148	(10000000- 20000000) Hose, Afmkt, Nat, 0.25id 0.375od, 06ft	1
	14	607775	(10000000- 20000000) Clamp, Hose, Wir, .63 - .66, Blk	1
	15	1039557	(10000000- 20000000) Fitting, Plstc, Str, Bm04/Bm06	1
	16	613735	(10000000- 20000000) Clamp, Hose, Wir, .40 - .42, Yel	1
	17	130773	(10000000- 20000000) Tie, Cable, Nyl, 11.0l, .14w, 3.0 Max. D	2
	18	1018155	(10000000- 20000000) Screw, Pan, Phl, M5 X 0.80 X 16, Tcut, Ss	1
	19	1034731	(10000000- 20000000) Screw, Hex, M6 X 1.00 X 16, Sems, Ss	7
	20	140154	(10000000- 20000000) Sleeve, P/M, 0.25b 0.38d 0.3l, PI	1
	21	1209249	(10000000- 20000000) Bracket, Mtg, Ec- H2O Module [T300]	1
	22	1044335	(10000000- 20000000) Switch, Press, 6psi, Pm02	1
	23	150307	(10000000- 20000000) Fitting, Brs, Str, Pf02/Pf02, Cplg	1
	24	1216185	(10000000- 20000000) Fitting, Plstc, Str, Qm04/Pm02	1
	25	1215527	(10000000- 20000000) Valve, Check, 1.0 Psi Qf06/Qf06	1
	26	1212812	(10000000- 20000000) Fitting, Plstc, E90, Qf06/Pm06, Swivel	1
	27	43555	(10000000- 20000000) Clamp, Hose, Wormdrive, 2.62- 3.50d	1
	28	1210517	(10000000- 20000000) Pump, Soltn, Ele, 24vdc, 35 Psi	1
	29	1212812	(10000000- 10978369) Fitting, Plstc, E90, Qf06/Pm06, Swivel	1
	30	1211424	(10000000- 10978369) Valve, Water, Solenoid, 24vdc Qf08/Qf08	1
	31	1205799	(10000000- 20000000) Screw, Btn, M5 X 0.8 X 16, 8.8, NI, Torx	2
	32	54333	(10000000- 10978369) Clamp, Hose, Wormdrive, 0.31- 0.88d, .31w	1
	33	1212807	(10000000- 10978369) Fitting, Plstc, Str, Qm08/Bm08	1
	34	1212806	(10000000- 10978369) Fitting, Plstc, Tee, Qf08/Qf08/Qm08	1
	35	1212987	(10000000- 10978369) Fitting, Plstc, E90, Qf08/Pm06, Swivel	3
	36	9014145	(10000000- 10978369) Hose, Afmkt, Pe, .375id .50od, 05ft	1
	37	1215218	(10000000- 10978369) Fitting, Plstc, Str, Qf06/Qm08	1
	38	1212875	(10000000- 10978369) Fitting, Plstc, Tee, Qf06/Qf08/Qf08	1
	39	1212808	(10000000- 10978369) Fitting, Plstc, Tee, Qf08/Qf08/Pm06	1
▽	40	1211537	(10000000- 20000000) Filter, In- Line, Pf06/Pf06 080m 2.6l Epd	1
▲		1218885	(10000000- 20000000) Gasket [Epdm, F/1211537]	1
▲		1218883	(10000000- 20000000) Screen, Fltr, 80 Mesh, Ss [W/ Cage]	1
▲		613991	(10000000- 20000000) Bowl, Clr, Short, F/1005302	1

▽ ASSEMBLY

▲ INCLUDED IN ASSEMBLY

SOLUTION GROUP, STANDARD MODEL ec-H20 & SEVERE ENVIRONMENT - CONT'D
(ORIGINAL PUSH QUICK CONNECTOR STYLE)

355311



**SOLUTION GROUP, STANDARD MODEL ec- H20 & SEVERE ENVIRONMENT - CONT'D
(ORIGINAL PUSH QUICK CONNECTOR STYLE)**

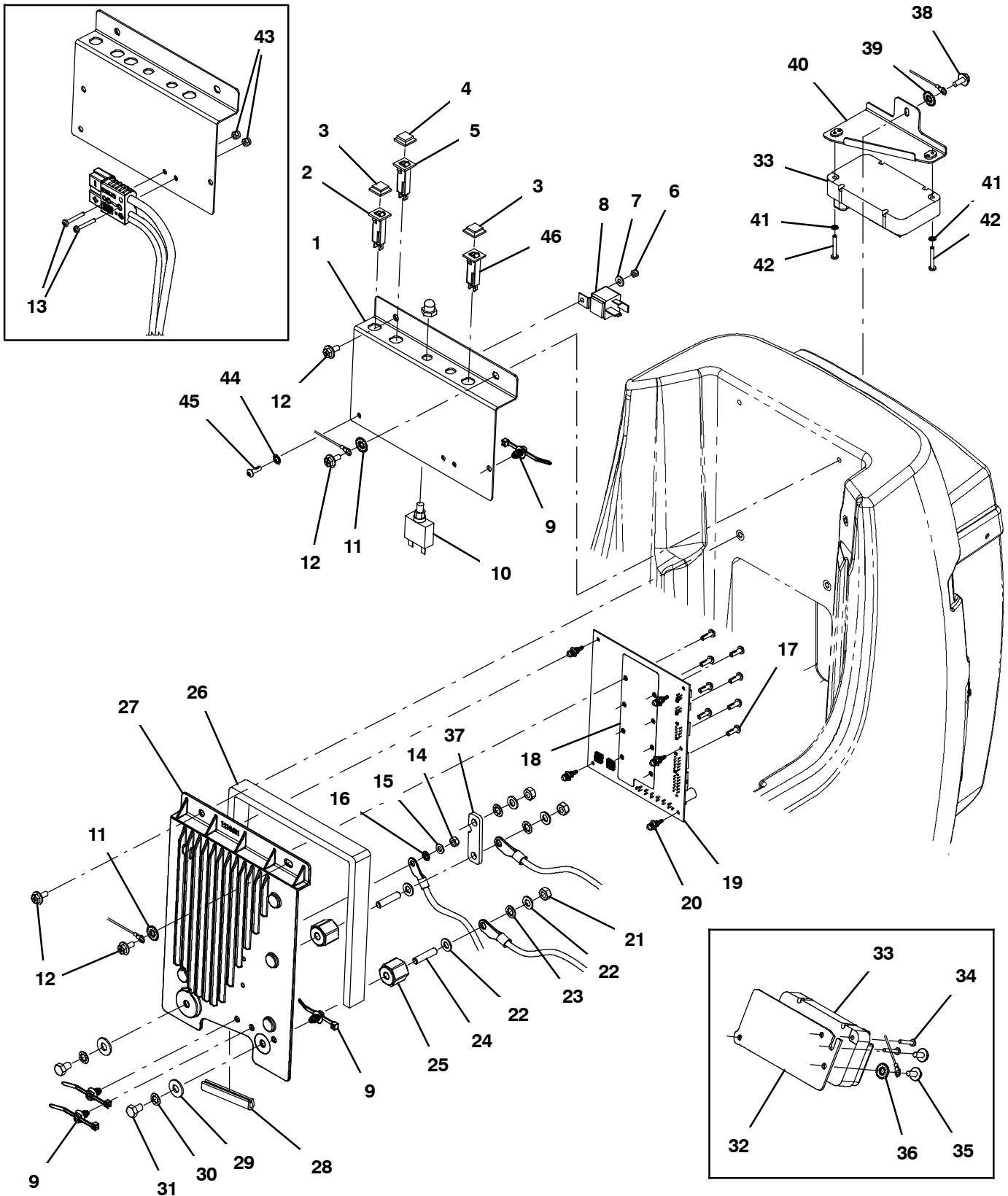
Ref.	Part No.	Serial Number	Description	Qty.
	41	1212810	(10000000- 10978369) Fitting, Plstc, Tee, Qm08/Qf08/Qf08	1
▽	42	1215698	(10000000- 20000000) Pump Assy, Detgt, 24 Vdc [T300]	1
▲		1208721	(10000000- 20000000) Pump, Detgt, 24vdc, 120rpm	1
▲		1219077	(10000000- 20000000) Hose Kit, Detgt [0.5cc]	1
▲	43	1211775	(10000000- 20000000) Potentiometer [5k, W/Leads And Conn.]	1
	44	1212430	(10000000- 20000000) Sensor, Level, Liq, 30watt, Spst	1
	45	1208289	(10000000- 20000000) Tank [1.5 Liter]	1
	46	1210442	(10000000- 20000000) Cap, Tank, 2.25 [Vented]	1
	47	1210437	(10000000- 20000000) Cap, Plstc, 38mm, Elbow Ftg	1
	48	1209151	(10000000- 20000000) Bracket, Mtg, Pump, Detgt	1
	49	609980	(10000000- 20000000) Screw, Trs, Phl, 08- 32 X 0.38, Sems	4
	50	17185	(10000000- 20000000) Screw, Pan, Phl, M5 X 0.80 X 40, Ss	2
	51	1210807	(10000000- 20000000) Wire, Tie [W/.25" Fir Tree Clip]	1
	52	613465	(10000000- 20000000) Hose, Pvc, Clr, 0.12id 0.25od 026.0l	1
	53	630265	(10000000- 20000000) Knob, Rnd, 0.75d 0.50l 0.25b, Plstc	1
	54	222607	(10000000- 20000000) Nut, Hex, Thin, .38- 32	1
	55	43953	(10000000- 20000000) Washer, Lock, Int, 0.38, Ss	1
	56	1074344	(10000000- 20000000) Harness, Ele [Ring With .250m Tail]	1
	57	41140	(10000000- 20000000) Washer, Lock, Int- Ext, 0.25	1
	58	01684	(10000000- 20000000) Washer, Flat, 0.27b 0.69d .05, Ss	1
	59	12277	(10000000- 20000000) Screw, Hex, M6 X 1.00 X 20, NI, Ss	1
	60	1215186	(10890202- 10978369) Fitting, Plstc, E90, Qf06/Qm06	1

▽ ASSEMBLY

▲ INCLUDED IN ASSEMBLY

STANDARD ELECTRICAL COMPONENTS GROUP

355401



STANDARD ELECTRICAL COMPONENTS GROUP

Ref.	Part No.	Serial Number	Description	Qty.
1	9014188	(10000000- 20000000)	Bracket Wldt, Afmkt, Mtg [Circuitbrkrs]	1
2	1208816	(10000000- 20000000)	Circuitbreaker, 04.0a, Resetable	1
3	1064191	(10000000- 20000000)	Boot, Circuitbreaker	2
4	1064191	(xxxxxxx- 20000000)	Boot, Circuitbreaker (ec- H2O Option)	1
4	1064191	(10000000- xxxxxxx)	Boot, Circuitbreaker (ec- H2O Option)	2
5	1064187	(xxxxxxx- 20000000)	Circuitbreaker, 10.0a, Resetable	1
5	1208816	(10000000- xxxxxxx)	Circuitbreaker, 04.0a, Resetable (ec- H2O Option)	2
6	09739	(10000000- 20000000)	Nut, Hex, Lock, M5 X 0.80, NI, Ss (ec- H2O Option)	1
7	01683	(10000000- 20000000)	Washer, Flat, 10, Ss (ec- H2O Option)	1
8	1012216	(10000000- 20000000)	Relay, 24vdc, 070a, Spst No, Plug- In (ec- H2O Option)	1
9	1210807	(10000000- 20000000)	Wire, Tie [W/.25" Fir Tree Clip]	4
10	383725	(10000000- 20000000)	Circuitbreaker, 30.0a, Resetable (Propel Model)	1
11	41140	(10000000- 20000000)	Washer, Lock, Int- Ext, 0.25	2
12	1034731	(10000000- 20000000)	Screw, Hex, M6 X 1.00 X 16, Sems, Ss	4
13	33931	(10000000- xxxxxxx)	Screw, Pan, Phl, M4 X 0.70 X 30, Ss	2
14	1061910	(10000000- 20000000)	Nut, Hex, Std, M6 X 1.00, Brs	1
15	1061918	(10000000- 20000000)	Washer, Flat, 0.25b 0.47d .06, Brs	1
16	07515	(10000000- 20000000)	Washer, Lock, Int, 0.25, Ss	1
17	1205799	(10000000- 20000000)	Screw, Btn, M5 X 0.8 X 16, 8.8, NI, Torx	8
18	1210381	(10000000- 20000000)	Circuitboard, Silpad [Vw, Lower]	1
▽	19	9040084*	(10000000- 20000000) Board Kit, Scb, Std, Ci	1
▲		27964	(10000000- 20000000) Strap, Ground, Static, Disposable	1
▲		1071235	(10000000- 20000000) Cable [Usb, 2m, A- Male To Mini- B- Male]	1
	20	1209448	(10000000- 20000000) Standoff, Circuitboard, .25	5
	21	41361	(10000000- 20000000) Nut, Hex, Std, M8 X 1.25, Brs	3
	22	1209373	(10000000- 20000000) Washer, Flat, M8.4b X 16d X 1.6, Brs	5
	23	43952	(10000000- 20000000) Washer, Lock, Int, 0.31, Ss	3
	24	607461	(10000000- 20000000) Screw, Set, M8 X 1.25 X 35, NI	2
	25	1205345	(10000000- 20000000) Stand- Off, Wir, M8, Insulator, Panel	2
	26	1208628	(10000000- 20000000) Gasket, Cover, Circuitboard	1
	27	1210631	(10000000- 20000000) Heatsink, Mtg, Circuitboard, 12.1 X 08.6	1
	28	1020174	(10000000- 20000000) Molding, Afmkt, Trim, Pvc, .08 .11, 03ft	1
	29	01685	(10000000- 20000000) Washer, Flat, 0.38b 0.88d .08, Ss	2
	30	32984	(10000000- 20000000) Washer, Lock, Int, 0.31	2
	31	386868	(10000000- 20000000) Screw, Hex, M8 X 1.25 X 12, Ss	2
	32	1210078	(10000000- 10813435) Bracket Wldt, Drive (Propel Model)	1
	33	9014613*	(10000000- 20000000) Controller Kit, Spd, Ci [T300/E/Ss300] (Propel Model)	1
	34	04403	(10000000- 10813435) Screw, Pan, Phl, M4 X 0.70 X 25, NI, Ss (Propel Model)	2
	35	1034731	(10000000- 10813435) Screw, Hex, M6 X 1.00 X 16, Sems, Ss (Propel Model)	2
	36	41140	(10000000- 10813435) Washer, Lock, Int- Ext, 0.25 (Propel Model)	1
	37	1212780	(10000000- 20000000) Busbar, 125a 0.188 0.750w 2.638l	1
	38	1034731	(10813436- 20000000) Screw, Hex, M6 X 1.00 X 16, Sems, Ss	1
	39	41140	(10813436- 20000000) Washer, Lock, Int- Ext, 0.25	1
	40	1223824	(10813436- 20000000) Bracket Wldt, Mtg, Cntrl, [T300/T300e]	1
	41	02938	(10813436- 20000000) Washer, Lock, Int, 08, Ss	2
	42	33931	(10813436- 20000000) Screw, Pan, Phl, M4 X 0.70 X 30, Ss	2
	43	02850	(10000000- xxxxxxx) Nut, Hex, Lock, M4 X 0.70, NI	2
	44	07515	(10000000- 20000000) Washer, Lock, Int, 0.25, Ss	1
	45	1205799	(10000000- 20000000) Screw, Btn, M5 X 0.8 X 16, 8.8, NI, Torx	1
	46	1064189	(10000000- 20000000) Circuitbreaker, 20.0a, Resetable	1

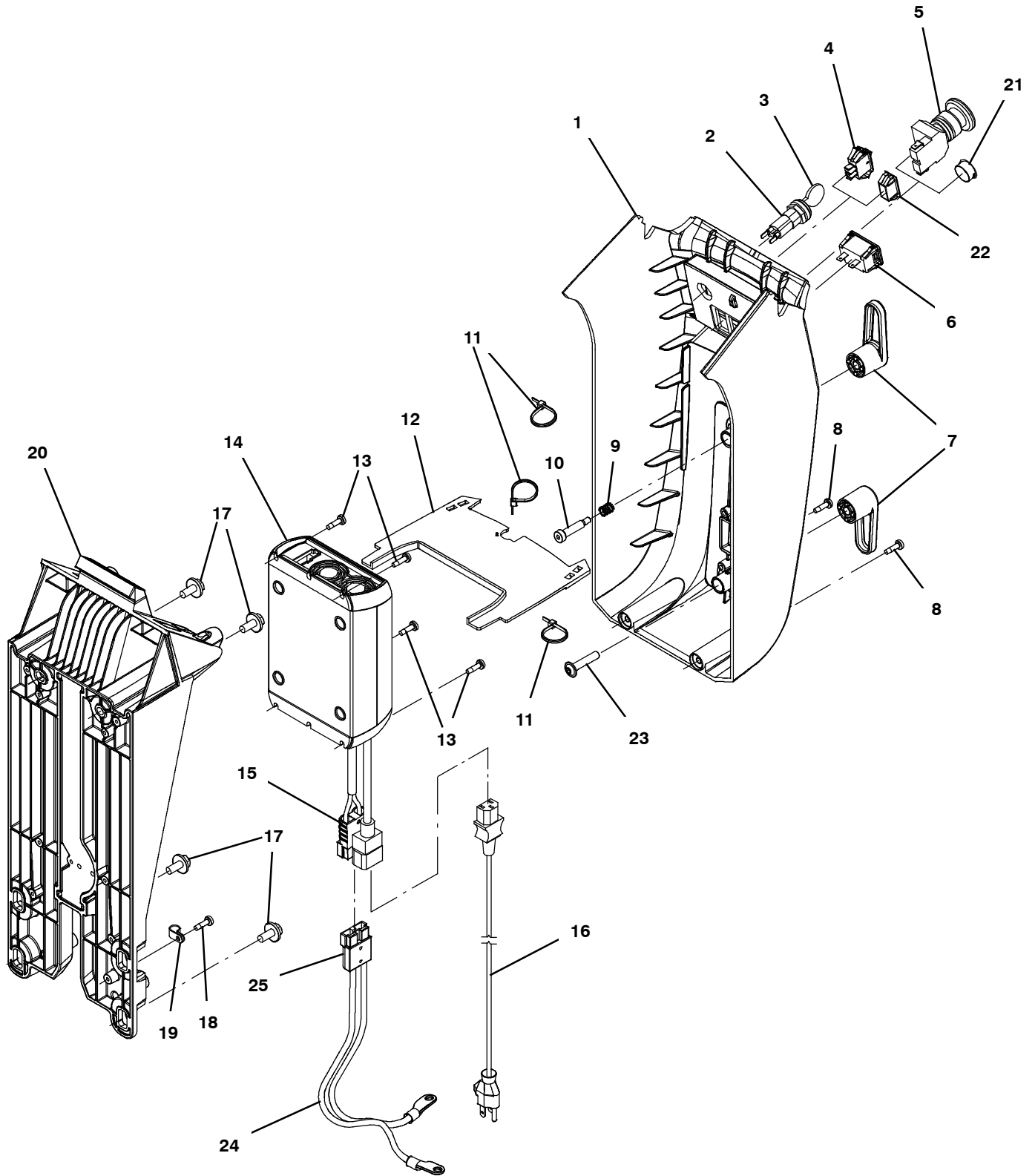
* Requires Tennant *True* service or an authorized Tennant service provider.

▽ ASSEMBLY

▲ INCLUDED IN ASSEMBLY

LOWER CONSOLE GROUP, ON-BOARD CHARGER

355328



LOWER CONSOLE GROUP, ON-BOARD CHARGER

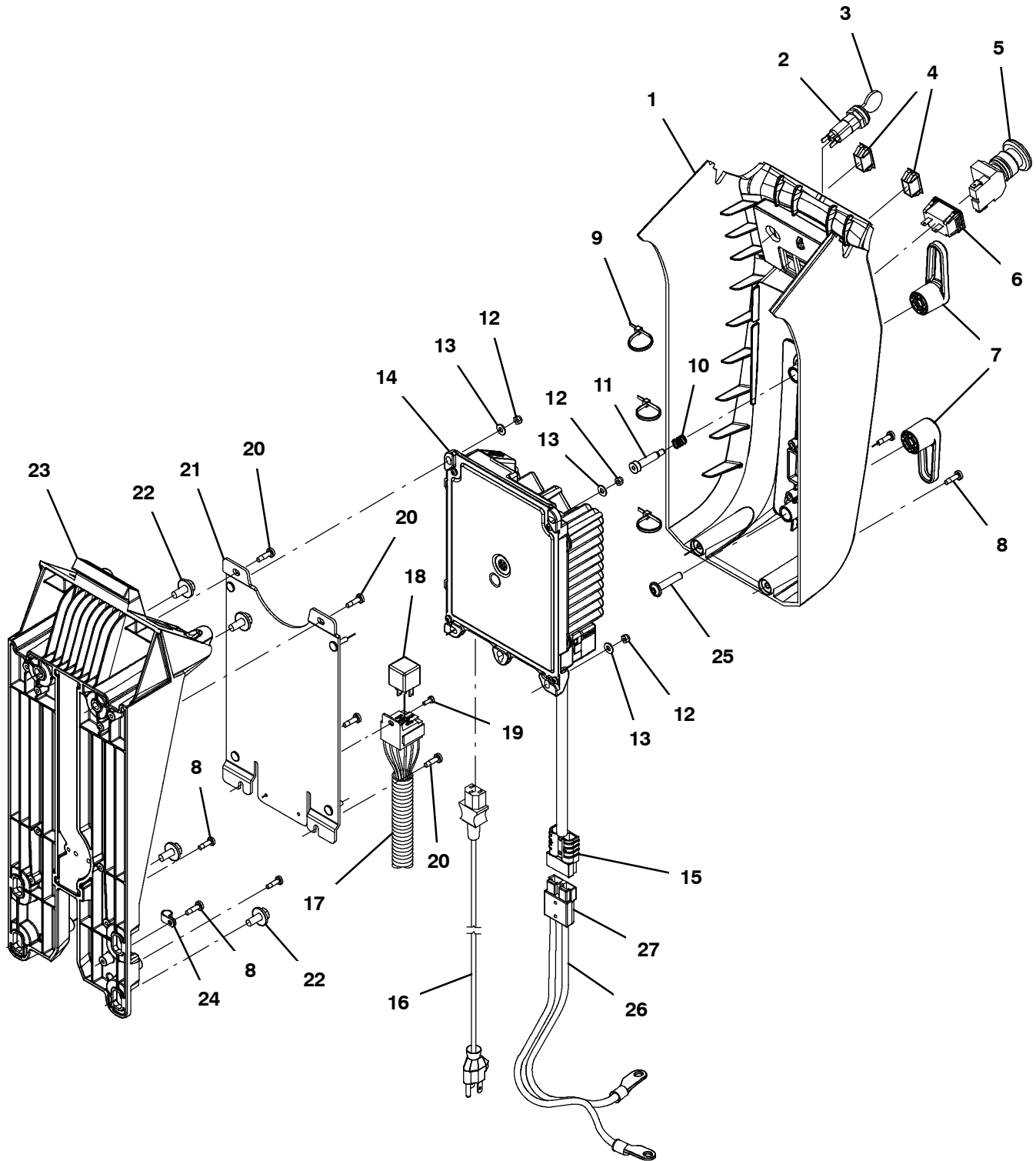
Ref.	Part No.	Serial Number	Description	Qty.	
1	1203802	(10000000- 20000000)	Cover, Column, Cntrl	1	
1	9012789	(10000000- 20000000)	Cover, Console, Afmkt, W/ Label [Na] (Replaced By 1203802)	1	
1	9012790	(10000000- 20000000)	Cover, Console, Afmkt, W/ Label [Jp] (Replaced By 1203802)	1	
▽	2	1011402	(10000000- 20000000)	Switch, Key	1
▲	3	1017696	(10000000- 20000000)	Key Set, Replmt [F/ Keyswitch 1011402]	1
4	1044393	(10000000- 20000000)	Switch, Rocker, Spst Mom (ec- H2O Option)	1	
5	1011735	(10000000- 20000000)	Switch, Safety, Shutoff (Propel Model)	1	
6	1064038	(10000000- 20000000)	Gauge, Hourmeter, 05- 277 Volt, Ac / Dc	1	
7	1205496	(10000000- 20000000)	Hook, Cord	2	
8	1043573	(10795905- 20000000)	Screw, #10- 14 X 0.675, Spl[Shcs,Selftap]	2	
8	1205799	(10000000- 10795904)	Screw, Btn, M5 X 0.8 X 16, 8.8, NI, Torx	2	
9	611311	(10982012- 20000000)	Spring, Cmpr, 0.40od .05wir 00.5l, PI,Mw	1	
9	611311	(10000000- 10982011)	Spring, Cmpr, 0.40od .05wir 00.5l, PI,Mw	2	
10	1024965	(10982012- 20000000)	Bolt, Shld, 08mmd X 030mm, M06 X 1.0	2	
10	1024965	(10000000- 10982011)	Bolt, Shld, 08mmd X 030mm, M06 X 1.0	2	
11	130773	(10000000- 20000000)	Tie, Cable, Nyl, 11.0l, .14w, 3.0 Max. D	3	
12	1211582	(10000000- 20000000)	Cover, Chrgr [Small Spe]	1	
13	1043573	(10795905- 20000000)	Screw, #10- 14 X 0.675, Spl[Shcs,Selftap]	4	
13	1205799	(10000000- 10795904)	Screw, Btn, M5 X 0.8 X 16, 8.8, NI, Torx	4	
▽	14	9015304	(10000000- 20000000)	Charger Kit, 24vdc 13a 100- 240vac[On- Bd] (North America) (Note: Charger Kit required for models equipped with vented consoles)	1
▲▽	14	1242853	(10000000- 20000000)	Charger, 24vdc 13a 100- 240vac [On Brd] (North America)	1
▲▲	15	605387	(10000000- 20000000)	Connector, Anderson, 050a, Red [W/O Con]	1
▽	14	9015946	(10000000- 20000000)	Charger Kit, 24vdc 13a 100- 240vac[On- Bd] (APAC) (Note: Charger Kit required for models equipped with vented consoles)	1
▲▽	14	1243129	(10000000- 20000000)	Charger, 24vdc 13a 100- 240vac [On Brd] (APAC)	1
▲▲	15	605387	(10000000- 20000000)	Connector, Anderson, 050a, Red [W/O Con]	1
16	1025642	(10000000- 20000000)	Cord, Power, 16/3, 15ft Blk [Us]	1	
16	1026330	(10000000- 20000000)	Cord, Power, 1.0mm2 [2.5meter] (China)	1	
16	1048304	(10000000- 20000000)	Cord, Power [4.5meter, India, S.Africa]	1	
16	1026325	(10000000- 20000000)	Cord, Power, 1.0mm2/3 Blk[2.5meter, Aus]	1	
17	1020341	(10000000- 20000000)	Screw, Hex, M8 X 1.25 X 20, Ss, Sems	4	
18	1043573	(10795905- 20000000)	Screw, #10- 14 X 0.675, Spl[Shcs,Selftap]	1	
18	1205799	(10000000- 10795904)	Screw, Btn, M5 X 0.8 X 16, 8.8, NI, Torx	1	
19	26395- 2	(10000000- 20000000)	Clamp, Cable, Stl, 0.38d X 0.38w, 1hole	1	
20	1231373	(10795905- 20000000)	Frame, Column, Cntrl [Im], T600	1	
20	1216531	(10000000- 10795904)	Frame, Column, Cntrl [Revised Machined] (Replaced By Kit 9021915)	1	
21	130161	(10000000- 20000000)	Plug, Hole, Rnd, 0.88d, Blk (Push Model)	1	
22	582150	(10000000- 20000000)	Plug, Hole, Rt, 1.23 X 1.12, Nyl (Standard Model)	1	
23	1248098	(10982012- 20000000)	Screw, Btn, Flng, M6 X 1.0 X 30, 10.9	1	
▽	24	1073634	(10000000- 20000000)	Harness, Chrgr, 12ga [M8 Ring/M8 Ring]	1
▲	25	605387	(10000000- 20000000)	Connector, Anderson, 050a, Red [W/O Con]	1

▽ ASSEMBLY

▲ INCLUDED IN ASSEMBLY

LOWER CONSOLE GROUP, ON-BOARD CHARGER 650W, LITHIUM-ION BATTERY

355959



LOWER CONSOLE GROUP, ON-BOARD CHARGER 650W, LITHIUM-ION BATTERY

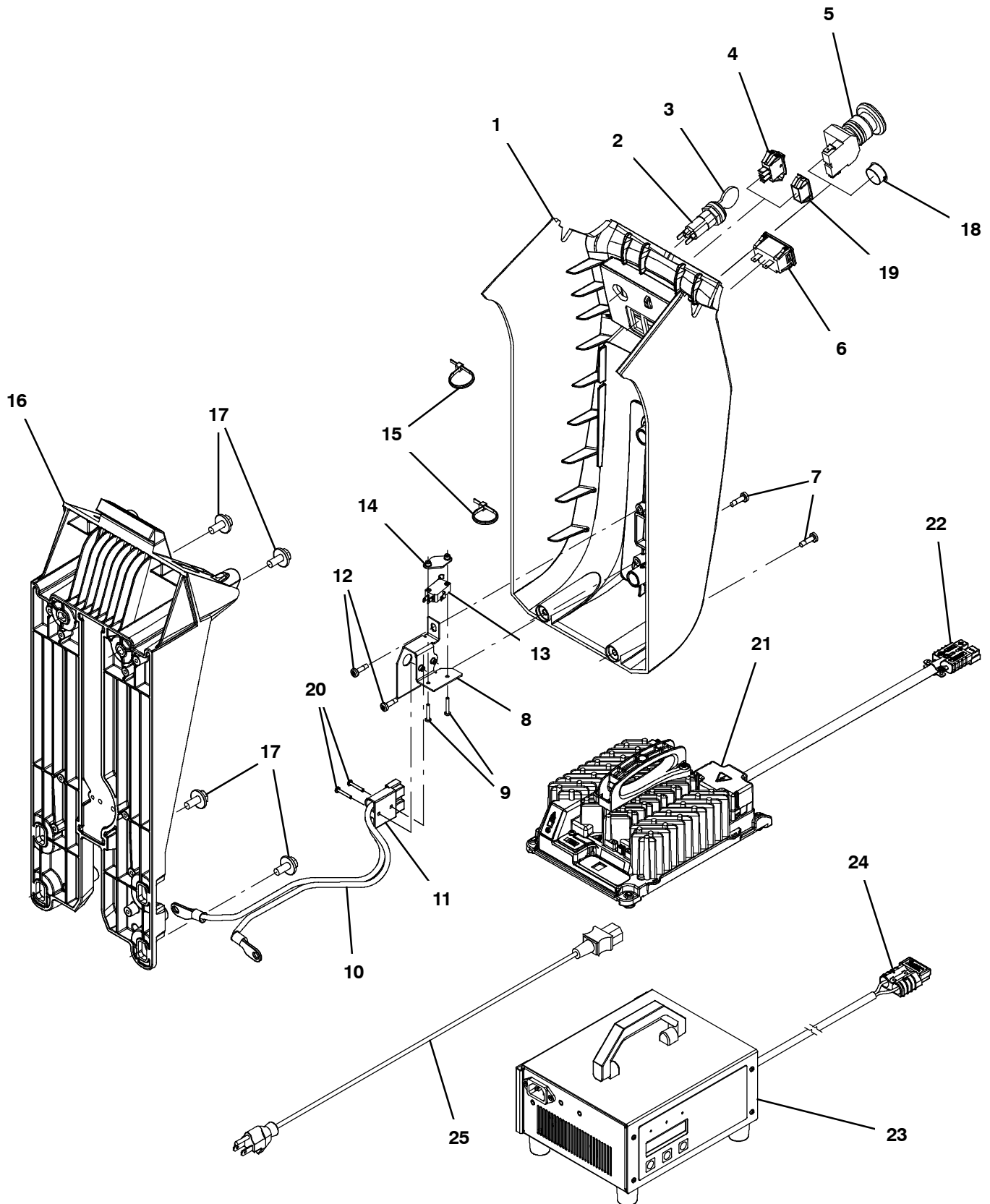
Ref.	Part No.	Serial Number	Description	Qty.
	1	1203802	(10000000-20000000) Cover, Column, Cntrl	1
▽	2	1011402	(10000000-20000000) Switch, Key	1
▲	3	1017696	(10000000-20000000) Key Set, Replmt [F/ Keyswitch 1011402]	1
	4	1044393	(10000000-20000000) Switch, Rocker, Spst Mom (ec- H2O Option)	1
	5	1011735	(10000000-20000000) Switch, Safety, Shutoff (Propel Model)	1
	6	1064038	(10000000-20000000) Gauge, Hourmeter, 05- 277 Volt, Ac / Dc	1
	7	1205496	(10000000-20000000) Hook, Cord	2
	8	1043573	(10795905-20000000) Screw, #10- 14 X 0.675, Spl[Shcs,Selftap]	5
	9	130773	(10000000-20000000) Tie, Cable, Nyl, 11.0l, .14w, 3.0 Max. D	3
	10	611311	(10982012-20000000) Spring, Cmpr, 0.40od .05wir 00.5l, Pl,Mw	1
	11	1024965	(10982012-20000000) Bolt, Shld, 08mmd X 030mm, M06 X 1.0	2
	12	06549	(10000000-20000000) Nut, Hex, M5 X 0.80 X 16, 8.8	4
	13	01683	(10000000-20000000) Washer, Flat, 10, Ss	4
▽	14	1261728	(10000000-20000000) Charger, 24vdc, 650w,100- 240vac [On Brd] (Lithium- Ion Batteries)	1
▲	15	605387	(10000000-20000000) Connector, Anderson, 050a, Red [W/O Con]	1
	16	1025642	(10000000-20000000) Cord, Power, 16/3, 15ft Blk [Us]	1
	16	1026330	(10000000-20000000) Cord, Power, 1.0mm2 [2.5meter, China]	1
	16	1026325	(10000000-20000000) Cord, Power, 1.0mm2/3 Blk[2.5meter, Aus]	1
	16	1048304	(10000000-20000000) Cord, Power [4.5meter, India, S.Africa]	1
	17	1076909	(10000000-20000000) Harness, Ele, Adaptor, Relay	1
	18	49309	(10000000-20000000) Relay, 24vdc, 015a, Spdt No	1
	19	16944	(10000000-20000000) Screw, Hex, M4 X 0.70 X 10, Fmg	1
	20	1043573	(10000000-20000000) Screw, #10- 14 X 0.675, Spl[Shcs,Selftap]	4
	21	1254600	(10000000-20000000) Plate Wldt, Charger, Adapter	1
	22	1020341	(10000000-20000000) Screw, Hex, M8 X 1.25 X 20, Ss, Sems	4
	23	1231373	(10000000-20000000) Frame, Column, Cntrl [Im], T600	1
	24	378969	(10000000-20000000) Clamp, Cable, Stl, 0.56d X 0.38w, 1hole	1
	25	1248098	(10982559-20000000) Screw, Btn, Flng, M6 X 1.0 X 30, 10.9	1
▽	26	1267308	(10000000-20000000) Harness, Chrgr, 10ga [M8 Ring/M8ring]	1
▲	27	605387	(10000000-20000000) Connector, Anderson, 050a, Red [W/O Con]	1

▽ ASSEMBLY

▲ INCLUDED IN ASSEMBLY

LOWER CONSOLE GROUP, OFF-BOARD CHARGER

355329



LOWER CONSOLE GROUP, OFF- BOARD CHARGER

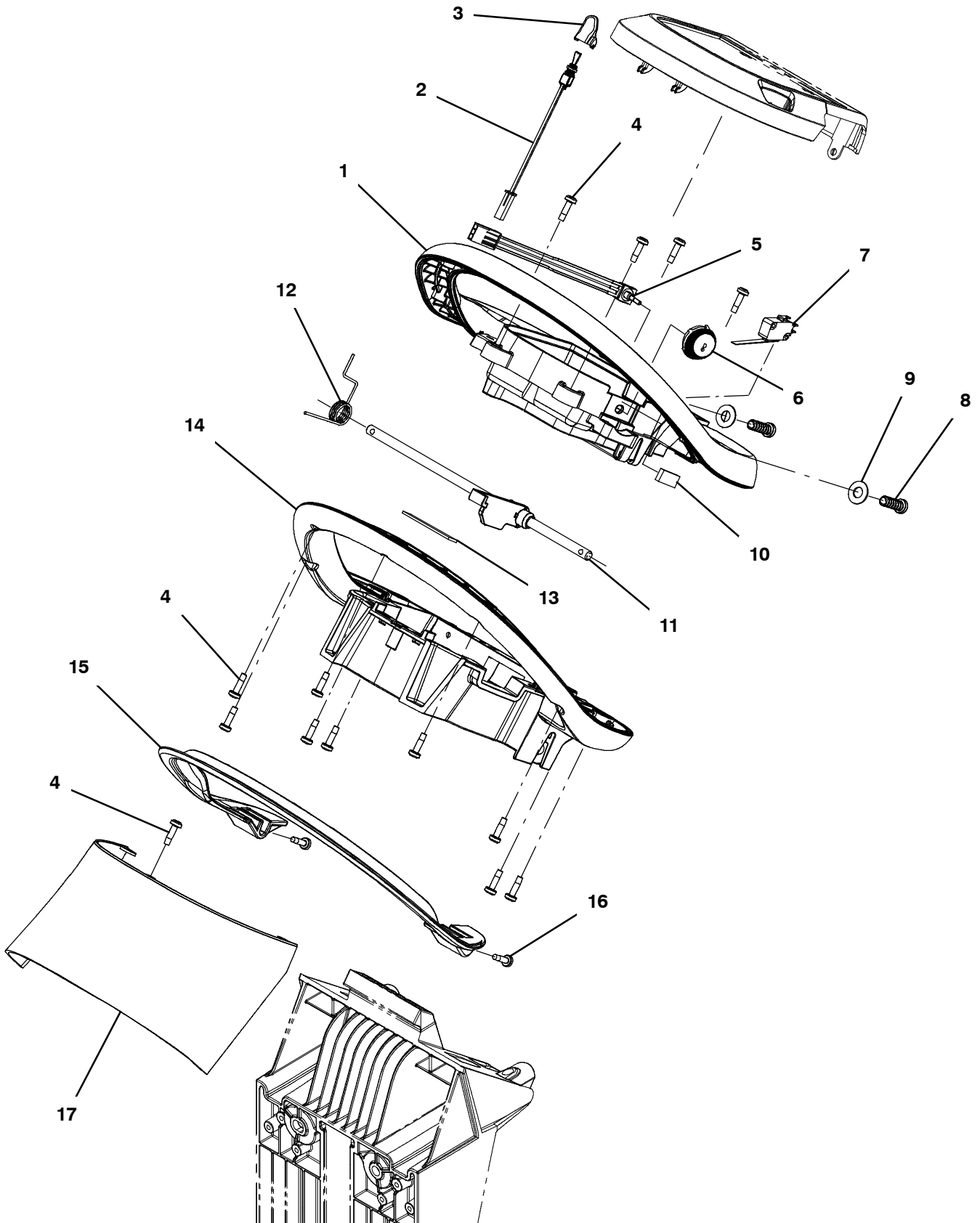
Ref.	Part No.	Serial Number	Description	Qty.	
1	1203802	(10000000- 20000000)	Cover, Column, Cntrl	1	
1	9012789	(10000000- 20000000)	Cover, Console, Afmkt, W/ Label [Na] (Replaced By 1203802)	1	
1	9012790	(10000000- 20000000)	Cover, Console, Afmkt, W/ Label [Jp] (Replaced By 1203802)	1	
▽	2	1011402	(10000000- 20000000)	Switch, Key	1
▲	3	1017696	(10000000- 20000000)	Key Set, Replmt [F/ Keyswitch 1011402]	1
4	1044393	(10000000- 20000000)	Switch, Rocker, Spst Mom (ec- H2O Option)	1	
5	1011735	(10000000- 20000000)	Switch, Safety, Shutoff (Propel Model)	1	
6	1064038	(10000000- 20000000)	Gauge, Hourmeter, 05- 277 Volt, Ac / Dc	1	
7	1043573	(10795905- 20000000)	Screw, #10- 14 X 0.675, Spl[Shcs,Selftap]	2	
7	1205799	(10000000- 10795904)	Screw, Btn, M5 X 0.8 X 16, 8.8, NI, Torx	2	
8	1208599	(10000000- 20000000)	Bracket Assy, Plug, Charger	1	
9	06922	(10000000- 20000000)	Screw, Pan, Phl, M3 X 0.50 X 20, 4.8	2	
▽	10	1073634	(10000000- 20000000)	Harness, Chrgr, 12ga [M8 Ring/M8 Ring]	1
▲	11	605387	(10000000- 20000000)	Connector, Anderson, 050a, Red [W/O Con]	1
▽	10	1267308	(10000000- 20000000)	Harness, Chrgr, 10ga [M8 Ring/M8 Ring] (Lithium- Ion Batteries)	1
▲	11	605387	(10000000- 20000000)	Connector, Anderson, 050a, Red [W/O Con]	1
12	1043573	(10000000- 20000000)	Screw, #10- 14 X 0.675, Spl[Shcs,Selftap]	2	
13	1215716	(10000000- 20000000)	Switch, 0.1a, Spdt[Micro, Gold Contacts]	1	
14	1013705	(10000000- 20000000)	Plate, Thread, Switch, M3 Nut, 96hr PI	1	
15	130773	(10000000- 20000000)	Tie, Cable, Nyl, 11.0l, .14w, 3.0 Max. D	2	
16	1231373	(10795905- 20000000)	Frame, Column, Cntrl [Im], T600	1	
16	1216531	(10000000- 10795904)	Frame, Column, Cntrl [Revised Machined] (Replaced By Kit 9021915)	1	
17	1020341	(10000000- 20000000)	Screw, Hex, M8 X 1.25 X 20, Ss, Sems	4	
18	130161	(10000000- 20000000)	Plug, Hole, Rnd, 0.88d, Blk (Push Model)	1	
19	582150	(10000000- 20000000)	Plug, Hole, Rt, 1.23 X 1.12, Nyl (Standard Model)	1	
20	06922	(10000000- 20000000)	Screw, Pan, Phl, M3 X 0.50 X 20, 4.8	2	
▽	21	9021961	(10000000- 20000000)	Charger, Replmt, Li- Ion, 24v, 650w (Lithium- Ion Batteries)	1
▲	22	605387	(10000000- 20000000)	Connector, Anderson, 050a, Red [W/O Con]	1
▽	23	1212837	(10000000- 20000000)	Charger, 24vdc, 13a 85- 265vac [Offboard]	1
▲	24	605387	(10000000- 20000000)	Connector, Anderson, 050a, Red [W/O Con]	1
25	1025642	(10000000- 20000000)	Cord, Power, 16/3, 15ft Blk [Us]	1	
25	1026330	(10000000- 20000000)	Cord, Power, 1.0mm2 [2.5meter] (China)	1	
25	1026325	(10000000- 20000000)	Cord, Power, 1.0mm2/3 Blk[2.5meter, Aus]	1	
25	1048304	(10000000- 20000000)	Cord, Power [4.5meter, India, S.Africa]	1	

▽ ASSEMBLY

▲ INCLUDED IN ASSEMBLY

CONSOLE HANDLE GROUP, PROPEL

358025



CONSOLE HANDLE GROUP, PROPEL

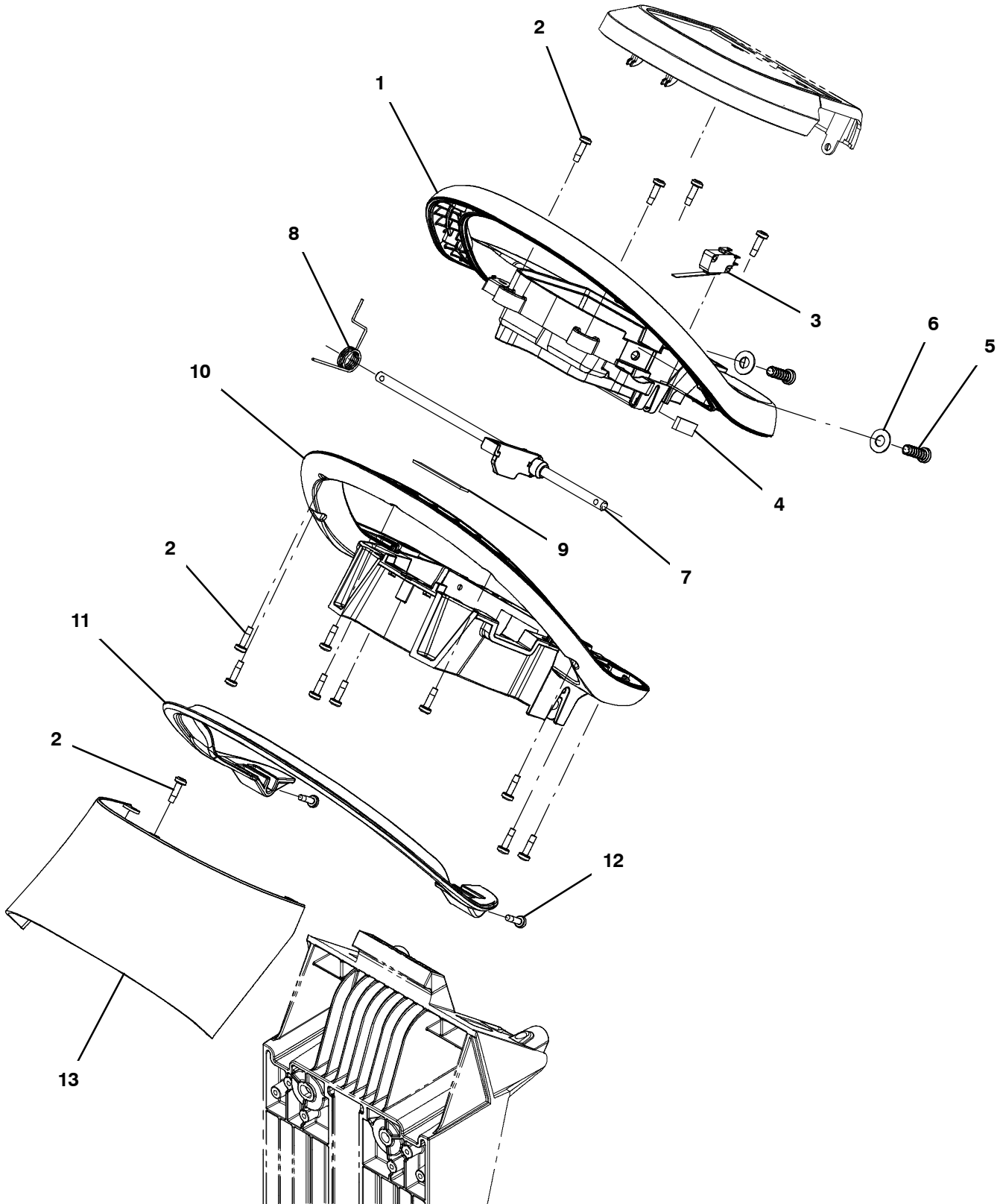
Ref.	Part No.	Serial Number	Description	Qty.
1	1203787	(10000000- 20000000)	Housing, Handle, Cntrl, Top	1
2	1209673	(10000000- 20000000)	Switch Assy, Toggle, Direction	1
3	1209730	(10000000- 20000000)	Cap, Toggle, Direction	1
4	1043573	(10000000- 20000000)	Screw, #10- 14 X 0.675, Spl[Shcs,Selftap]	15
5	1256757	(11009138- 20000000)	Potentiometer [100k, 1 Turn, Multi- Mach]	1
5	1246392	(10947955- 11009137)	Potentiometer [100k, 1 Turn, Multi- Mach] (Replaced By 1256757)	1
5	1204930	(10000000- 10947954)	Potentiometer [100k, 1 Turn, B5/B7] (Replaced By 1256757)	1
6	1234365	(10000000- 20000000)	Dial, Range, Speed	1
7	1205323	(10000000- 20000000)	Switch, 0.1a, Spdt [Micro, Straight]	1
8	1215863	(10000000- 20000000)	Screw, Pan, Torx, M8 X 3.5 X 25[Remform]	2
9	140027	(10000000- 20000000)	Washer, Flat, 0.35b 0.75d .04, Ss	2
10	1063909	(MAR2020- 20000000)	Seal, Afmkt, Rbr, Clsd, Adh, 01ft	1
11	1205143	(10000000- 20000000)	Shaft Assy, Bail, Handle	1
12	1205781	(10000000- 20000000)	Spring, Return, Bail	1
13	1020280	(10000000- 20000000)	Seal, Afmkt, Rbr, Clsd, Adh, 01ft	1
14	1222608	(10000000- 20000000)	Housing, Handle, Cntrl, Bottom, Slotted	1
15	1205778	(10000000- 20000000)	Handle, Bail [Machined]	1
16	1205799	(10000000- 20000000)	Screw, Btn, M5 X 0.8 X 16, 8.8, NI, Torx	2
17	1207004	(10000000- 20000000)	Cover, Handle, Cntrl	1
N/S	1072524	(10000000- 20000000)	Harness, Ele [Bail Switch]	1

▽ ASSEMBLY

▲ INCLUDED IN ASSEMBLY

CONSOLE HANDLE GROUP, PUSH

358035



CONSOLE HANDLE GROUP, PUSH

Ref.	Part No.	Serial Number	Description	Qty.
1	1203787	(10000000- 20000000)	Housing, Handle, Cntrl, Top	1
2	1043573	(10000000- 20000000)	Screw, #10- 14 X 0.675, Spl[Shcs,Selftap]	15
3	1205323	(10000000- 20000000)	Switch, 0.1a, Spdt [Micro, Straight]	1
4	1063909	(MAR2020- 20000000)	Seal, Afmkt, Rbr, Clsd, Adh, 01ft	1
5	1215863	(10000000- 20000000)	Screw, Pan, Torx, M8 X 3.5 X 25[Remform]	2
6	140027	(10000000- 20000000)	Washer, Flat, 0.35b 0.75d .04, Ss	2
7	1205143	(10000000- 20000000)	Shaft Assy, Bail, Handle	1
8	1205781	(10000000- 20000000)	Spring, Return, Bail	1
9	1020280	(10000000- 20000000)	Seal, Afmkt, Rbr, Clsd, Adh, 01ft	1
10	1222608	(10000000- 20000000)	Housing, Handle, Cntrl, Bottom, Slotted	1
11	1205778	(10000000- 20000000)	Handle, Bail [Machined]	1
12	1205799	(10000000- 20000000)	Screw, Btn, M5 X 0.8 X 16, 8.8, NI, Torx	2
13	1207004	(10000000- 20000000)	Cover, Handle, Cntrl	1
N/S	1072524	(10000000- 20000000)	Harness, Ele [Bail Switch]	1

STANDARD PARTS

CONSOLE PANEL, PRO-MEMBRANE, PROPEL, ACTUATED DOWN PRESSURE, WITHOUT TELEMTRY

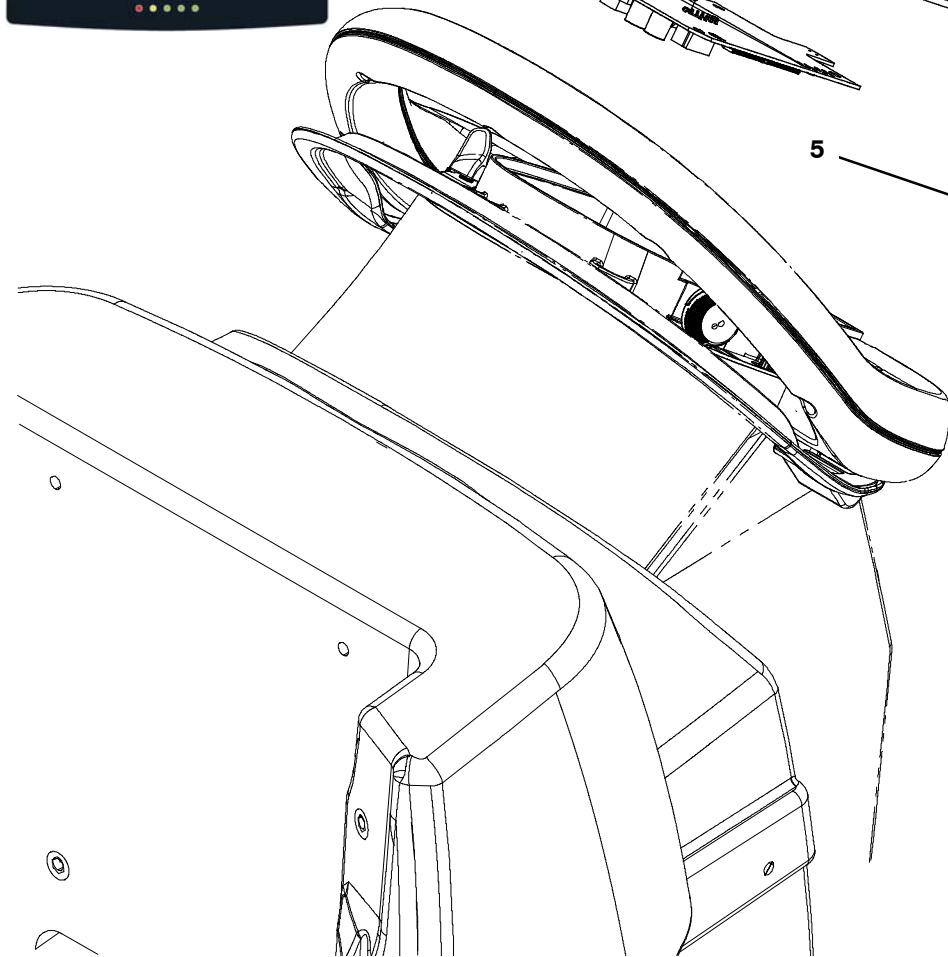
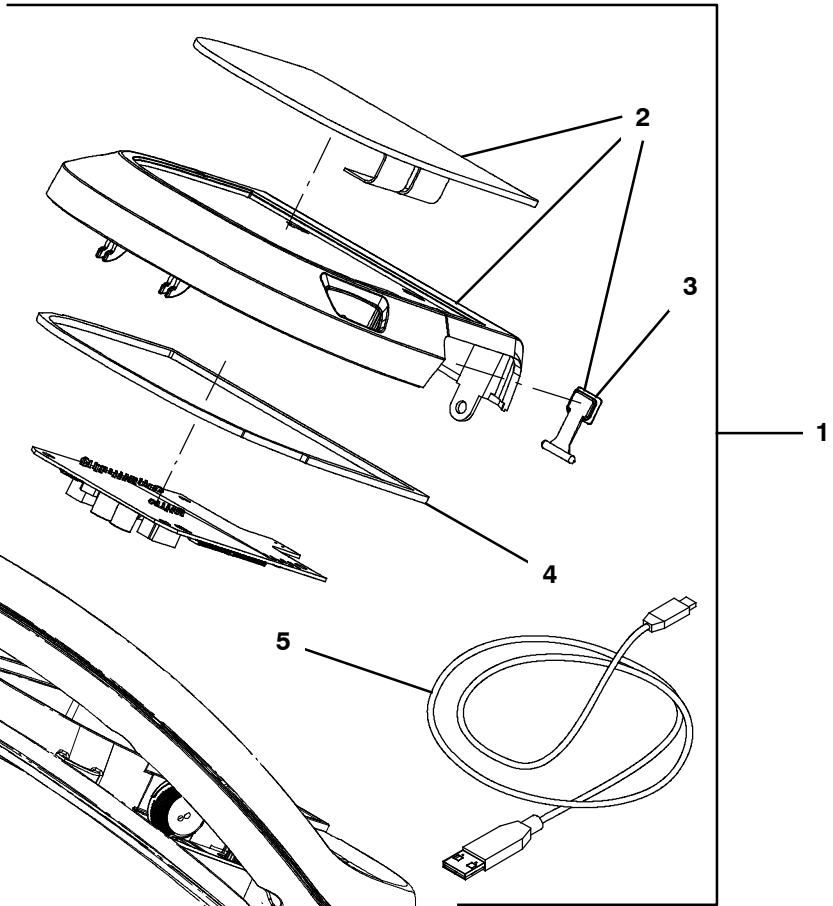
358040

Membrane Replacement
Order 9021633

Note Visual
Difference
Only When
Illuminated



Membrane Replacement
Order 9021631



**CONSOLE PANEL, PRO-MEMBRANE, PROPEL, ACTUATED DOWN PRESSURE,
WITHOUT TELEMETRY**

	Ref.	Part No.	Serial Number	Description	Qty.
▽	1	9021631*	(11061034- 20000000)	Bezel Kit, Propel, Memb, Ci [Prem] (Kit Includes Circuitboard)	1
▲▽	2	9021633	(11061034- 20000000)	Screen Kit, Propel, Premium, Ci	1
▲▲	3	1205618	(10000000- 20000000)	Cap, Usb	1
▲▲	4	1245824	(MAR2020- 20000000)	Gasket, Console	1
▲	5	1071235	(10000000- 20000000)	Cable [Usb, 2m, A- Male To Mini- B- Male]	1
▽	1	9014133*	(10000000- 11061033)	Bezel Kit, Propel, Promembrane, Ci[T300] (Kit Includes Circuitboard) (Replaced By 9021631*)	1
▲▽	2	9014139	(10000000- 11061033)	Screen Kit, Propel, Pro- Membrn, Ci[T300] (Replaced By 9021631*)	1
▲▲	3	1205618	(10000000- 20000000)	Cap, Usb	1
▲▲	4	1245824	(MAR2020- 20000000)	Gasket, Console	1
▲	5	1071235	(10000000- 20000000)	Cable [Usb, 2m, A- Male To Mini- B- Male]	1

*** Requires Tennant *True* service or an authorized Tennant service provider.**

▽ ASSEMBLY

▲ INCLUDED IN ASSEMBLY

CONSOLE PANEL, PRO-MEMBRANE, PUSH, ACTUATED DOWN PRESSURE, WITHOUT TELEMETRY

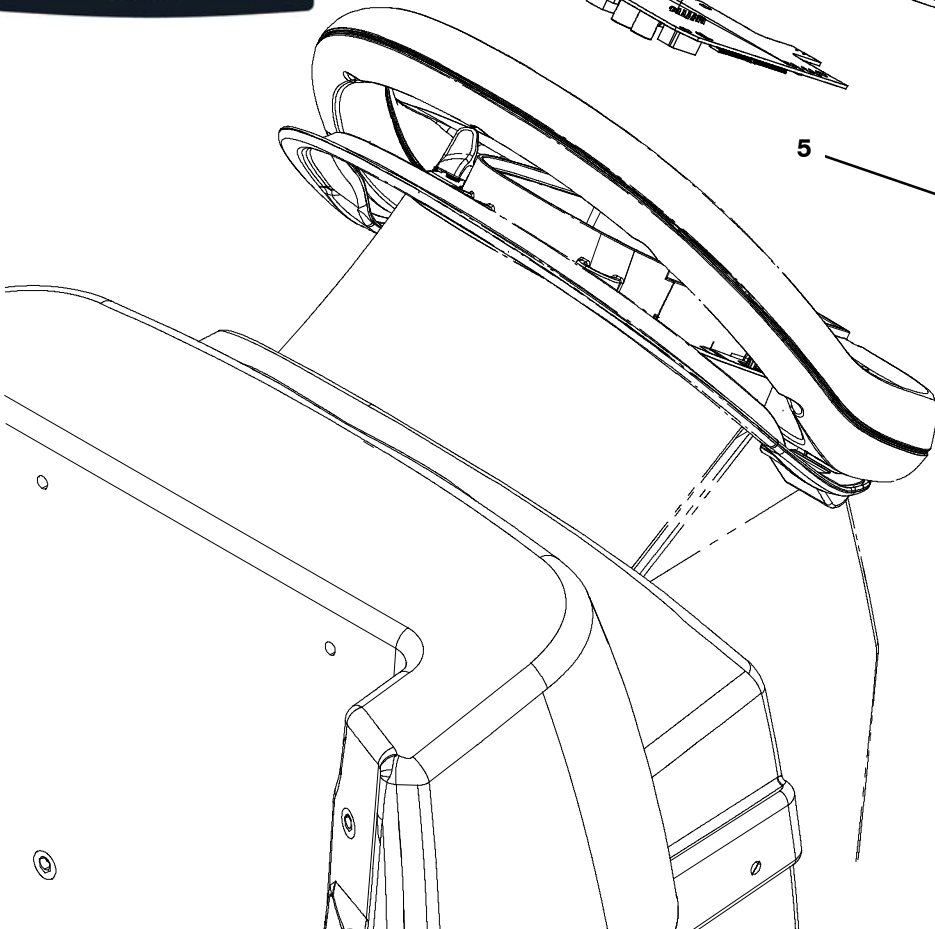
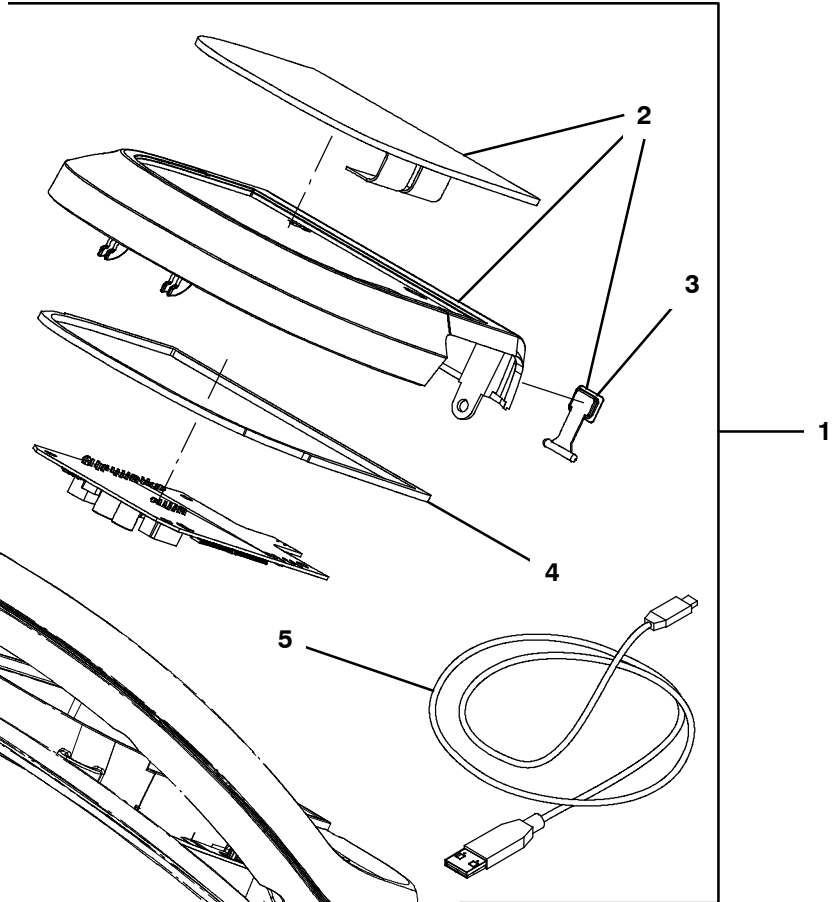
358039

Membrane Replacement
Order 9021639

Note Visual
Difference
Only When
Illuminated



Membrane Replacement
Order 9021637



**CONSOLE PANEL, PRO-MEMBRANE, PUSH, ACTUATED DOWN PRESSURE,
WITHOUT TELEMETRY**

	Ref.	Part No.	Serial Number	Description	Qty.
▽	1	9021637*	(11061034- 20000000)	Bezel Kit, Push, Memb, Ci [Prem] (Kit Includes Circuitboard)	1
▲▽	2	9021639	(11061034- 20000000)	Screen Kit, Push, Membrn, Premium, Ci	1
▲▲	3	1205618	(10000000- 20000000)	Cap, Usb	1
▲▲	4	1245824	(MAR2020- 20000000)	Gasket, Console	1
▲	5	1071235	(10000000- 20000000)	Cable [Usb, 2m, A- Male To Mini- B- Male]	1
▽	1	9014132*	(10000000- 11061033)	Bezel Kit, Push, Pro- Membrane, Ci [T300] (Kit Includes Circuitboard) (Replaced By 9021637*)	1
▲▽	2	9014138	(10000000- 11061033)	Screen Kit, Push, Pro- Membrn, Ci[T300] (Replaced By 9021637*)	1
▲▲	3	1205618	(10000000- 20000000)	Cap, Usb	1
▲▲	4	1245824	(MAR2020- 20000000)	Gasket, Console	1
▲	5	1071235	(10000000- 20000000)	Cable [Usb, 2m, A- Male To Mini- B- Male]	1

*** Requires Tennant *True* service or an authorized Tennant service provider.**

▽ ASSEMBLY

▲ INCLUDED IN ASSEMBLY

STANDARD PARTS

CONSOLE PANEL, MEMBRANE, PROPEL, MANUAL DOWN PRESSURE, WITHOUT TELEMETRY

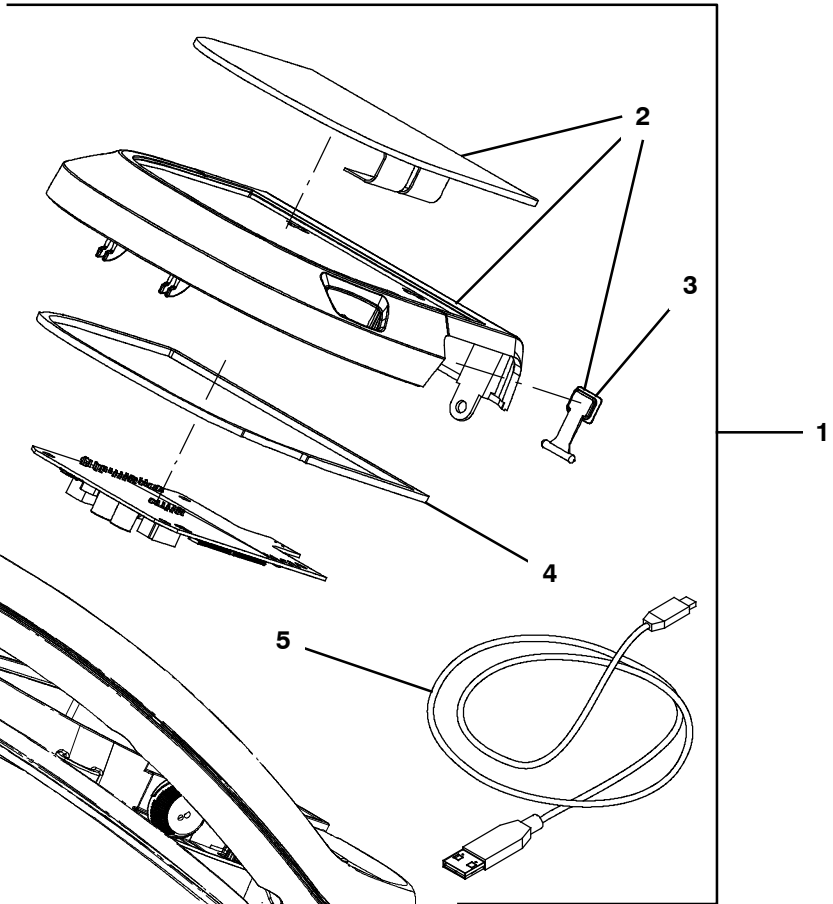
358042

Membrane Replacement
Order 9021636

Note Visual
Difference
Only When
Illuminated



Membrane Replacement
Order 9021634



**CONSOLE PANEL, MEMBRANE, PROPEL, MANUAL DOWN PRESSURE,
WITHOUT TELEMETRY**

	Ref.	Part No.	Serial Number	Description	Qty.
▽	1	9021634*	(11061034- 20000000)	Bezel Kit, Propel, Memb, Ci [Std] (Kit Includes Circuitboard)	1
▲▽	2	9021636	(11061034- 20000000)	Screen Kit, Propel, Memb, Std, Ci	1
▲▲	3	1205618	(10000000- 20000000)	Cap, Usb	1
▲▲	4	1245824	(MAR2020- 20000000)	Gasket, Console	1
▲	5	1071235	(10000000- 20000000)	Cable [Usb, 2m, A- Male To Mini- B- Male]	1
▽	1	9014815*	(10000000- 11061033)	Bezel Kit, Propel, Membrane,Std,Ci[T300] (Kit Includes Circuitboard) (Replaced By 9021634*)	1
▲▽	2	9014817	(10000000- 11061033)	Screen Kit, Propel,Membrane,Std,Ci[T300] (Replaced By 9021634*)	1
▲▲	3	1205618	(10000000- 20000000)	Cap, Usb	1
▲▲	4	1245824	(MAR2020- 20000000)	Gasket, Console	1
▲	5	1071235	(10000000- 20000000)	Cable [Usb, 2m, A- Male To Mini- B- Male]	1

*** Requires Tennant *True* service or an authorized Tennant service provider.**

▽ ASSEMBLY

▲ INCLUDED IN ASSEMBLY

STANDARD PARTS

CONSOLE PANEL, MEMBRANE, PUSH, MANUAL DOWN PRESSURE, WITHOUT TELEMTRY

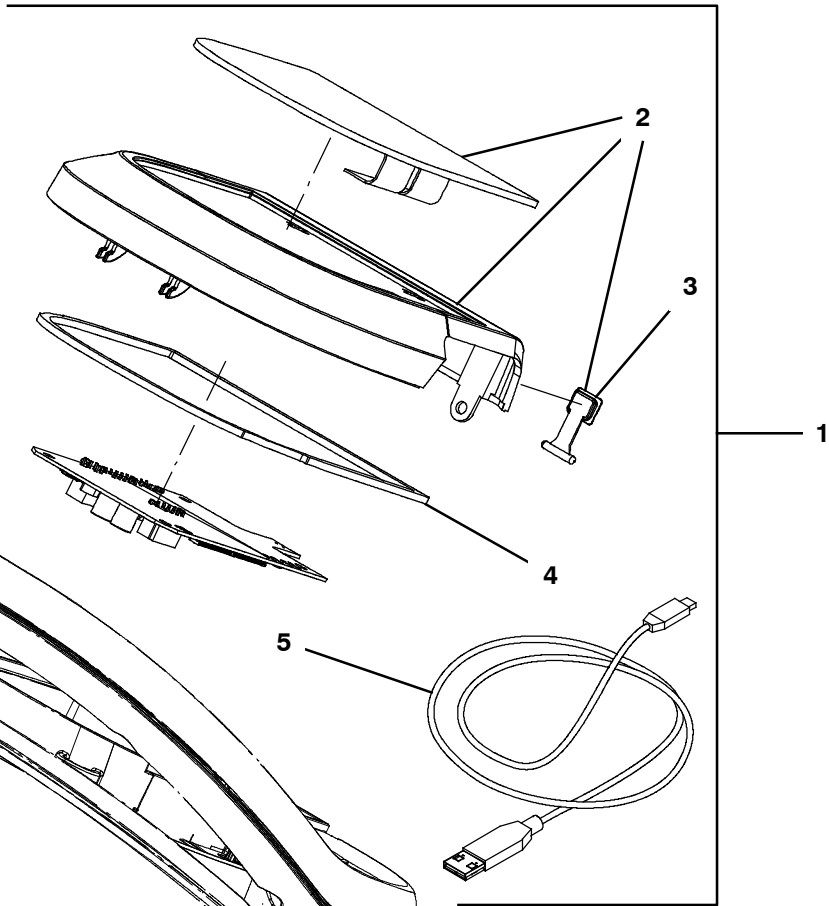
358041

Membrane Replacement
Order 9021643

Note Visual
Difference
Only When
Illuminated



Membrane Replacement
Order 9021641



**CONSOLE PANEL, MEMBRANE, PUSH, MANUAL DOWN PRESSURE,
WITHOUT TELEMETRY**

	Ref.	Part No.	Serial Number	Description	Qty.
▽	1	9021641*	(11061034- 20000000)	Bezel Kit, Push, Memb, Ci [Std] (Kit Includes Circuitboard)	1
▲▽	2	9021643	(11061034- 20000000)	Screen Kit, Push, Memb, Std, Ci	1
▲▲	3	1205618	(10000000- 20000000)	Cap, Usb	1
▲▲	4	1245824	(MAR2020- 20000000)	Gasket, Console	1
▲	5	1071235	(10000000- 20000000)	Cable [Usb, 2m, A- Male To Mini- B- Male]	1
▽	1	9014814*	(10000000- 11061033)	Bezel Kit, Push, Membrane, Std, Ci[T300] (Kit Includes Circuitboard) (Replaced By 9021641*)	1
▲▽	2	9014816	(10000000- 11061033)	Screen Kit, Push, Membrane, Std,Ci[T300] (Replaced By 9021641*)	1
▲▲	3	1205618	(10000000- 20000000)	Cap, Usb	1
▲▲	4	1245824	(MAR2020- 20000000)	Gasket, Console	1
▲	5	1071235	(10000000- 20000000)	Cable [Usb, 2m, A- Male To Mini- B- Male]	1

*** Requires Tennant *True* service or an authorized Tennant service provider.**

▽ ASSEMBLY

▲ INCLUDED IN ASSEMBLY

CONSOLE PANEL, PRO-PANEL (LCD), PROPEL,
WITHOUT TELEMETRY

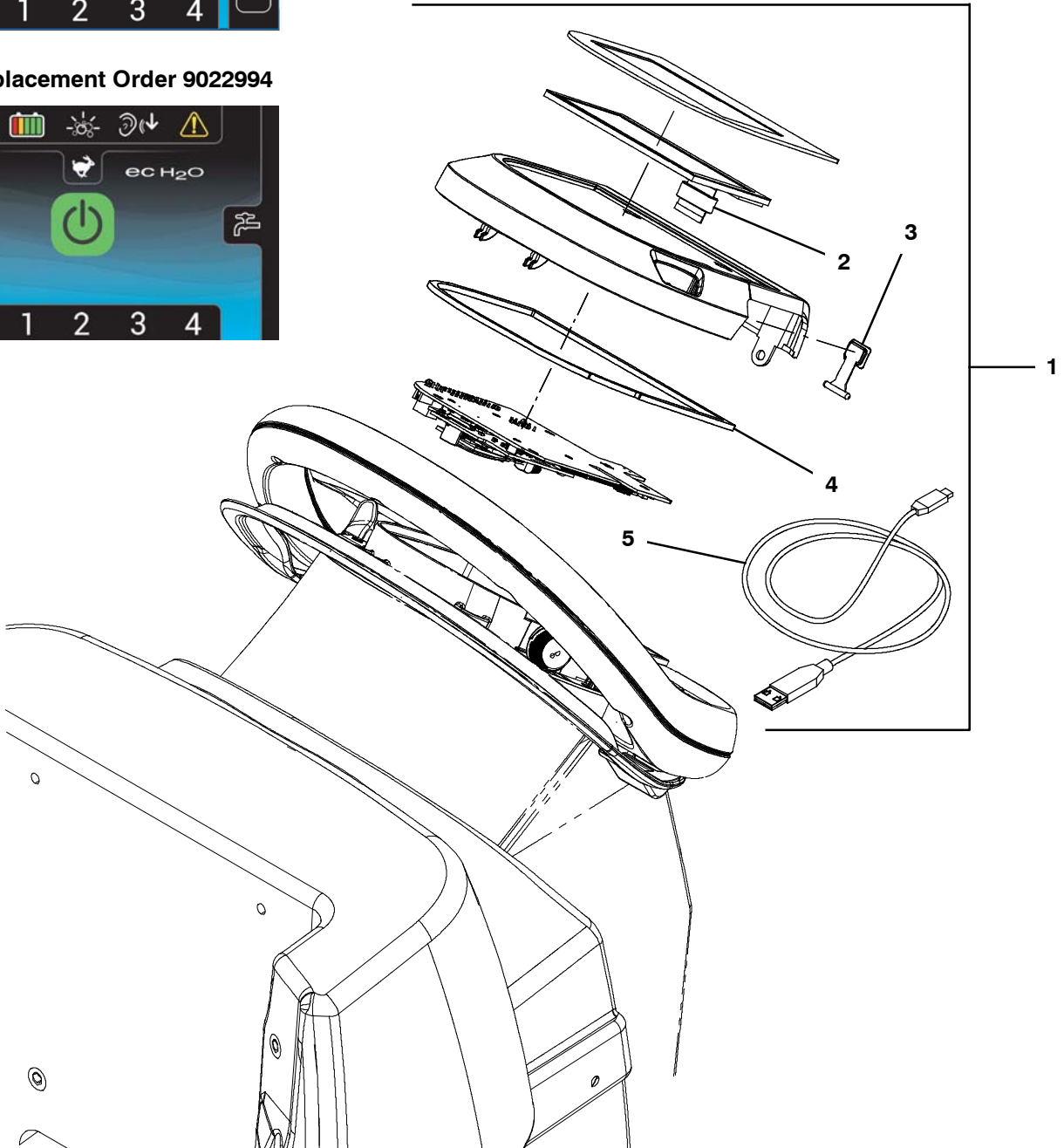
358046

Bezel Replacement Order 9021644



Note Visual
Difference
Only When
Illuminated

Bezel Replacement Order 9022994



**CONSOLE PANEL, PRO-PANEL (LCD), PROPEL,
WITHOUT TELEMETRY**

	Ref.	Part No.	Serial Number	Description	Qty.
▽	1	9021644*	(11100270- 20000000)	Bezel Kit, Propel, Pro- Panl, Ci	1
▲	2	1233769	(10000000- 20000000)	Inductor, Ribbon Cable	1
▲	3	1205618	(10000000- 20000000)	Cap, Usb	1
▲	4	1245824	(MAR2020- 20000000)	Gasket, Console	1
▲	5	1071235	(10000000- 20000000)	Cable [Usb, 2m, A- Male To Mini- B- Male]	1
▽	1	9014135*	(10000000- 11100269)	Bezel Kit, Propel, Lcd Pro- Panl,Ci[T300] (Kit Includes Circuitboard) (Replaced By 9022994*)	1
▲	2	1233769	(10000000- 20000000)	Inductor, Ribbon Cable	1
▲	3	1205618	(10000000- 20000000)	Cap, Usb	1
▲	4	1245824	(MAR2020- 20000000)	Gasket, Console	1
▲	5	1071235	(10000000- 20000000)	Cable [Usb, 2m, A- Male To Mini- B- Male]	1

*** Requires Tennant *True* service or an authorized Tennant service provider.**

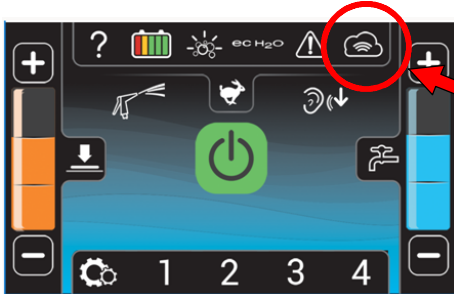
▽ ASSEMBLY

▲ INCLUDED IN ASSEMBLY

CONSOLE PANEL, PRO-PANEL (LCD), PUSH,
WITHOUT TELEMTRY

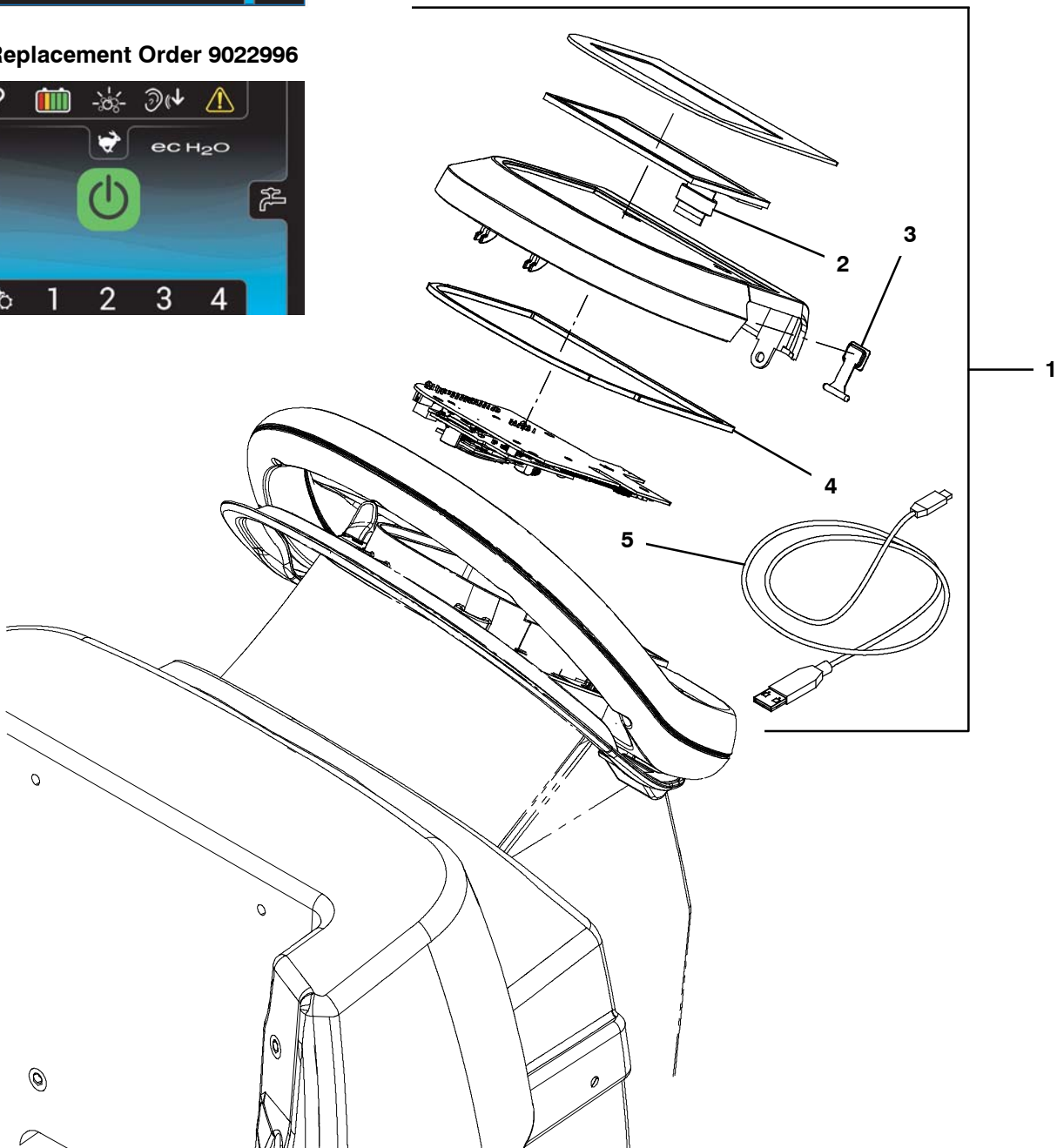
358047

Bezel Replacement Order 9021644



Note Visual
Difference
Only When
Illuminated

Bezel Replacement Order 9022996



CONSOLE PANEL, PRO-PANEL (LCD), PUSH,
WITHOUT TELEMETRY

	Ref.	Part No.	Serial Number	Description	Qty.
▽	1	9021646*	(11100270- 20000000)	Bezel Kit, Push, Pro- Panl, Ci (Kit Includes Circuitboard)	1
▲	2	1233769	(10000000- 20000000)	Inductor, Ribbon Cable	1
▲	3	1205618	(10000000- 20000000)	Cap, Usb	1
▲	4	1245824	(MAR2020- 20000000)	Gasket, Console	1
▲	5	1071235	(10000000- 20000000)	Cable [Usb, 2m, A- Male To Mini- B- Male]	1
▽	1	9014134*	(10000000- 11100269)	Bezel Kit, Push, Lcd Pro- Panl, Ci [T300] (Kit Includes Circuitboard) (Replaced By 9022996*)	1
▲	2	1233769	(10000000- 20000000)	Inductor, Ribbon Cable	1
▲	3	1205618	(10000000- 20000000)	Cap, Usb	1
▲	4	1245824	(MAR2020- 20000000)	Gasket, Console	1
▲	5	1071235	(10000000- 20000000)	Cable [Usb, 2m, A- Male To Mini- B- Male]	1

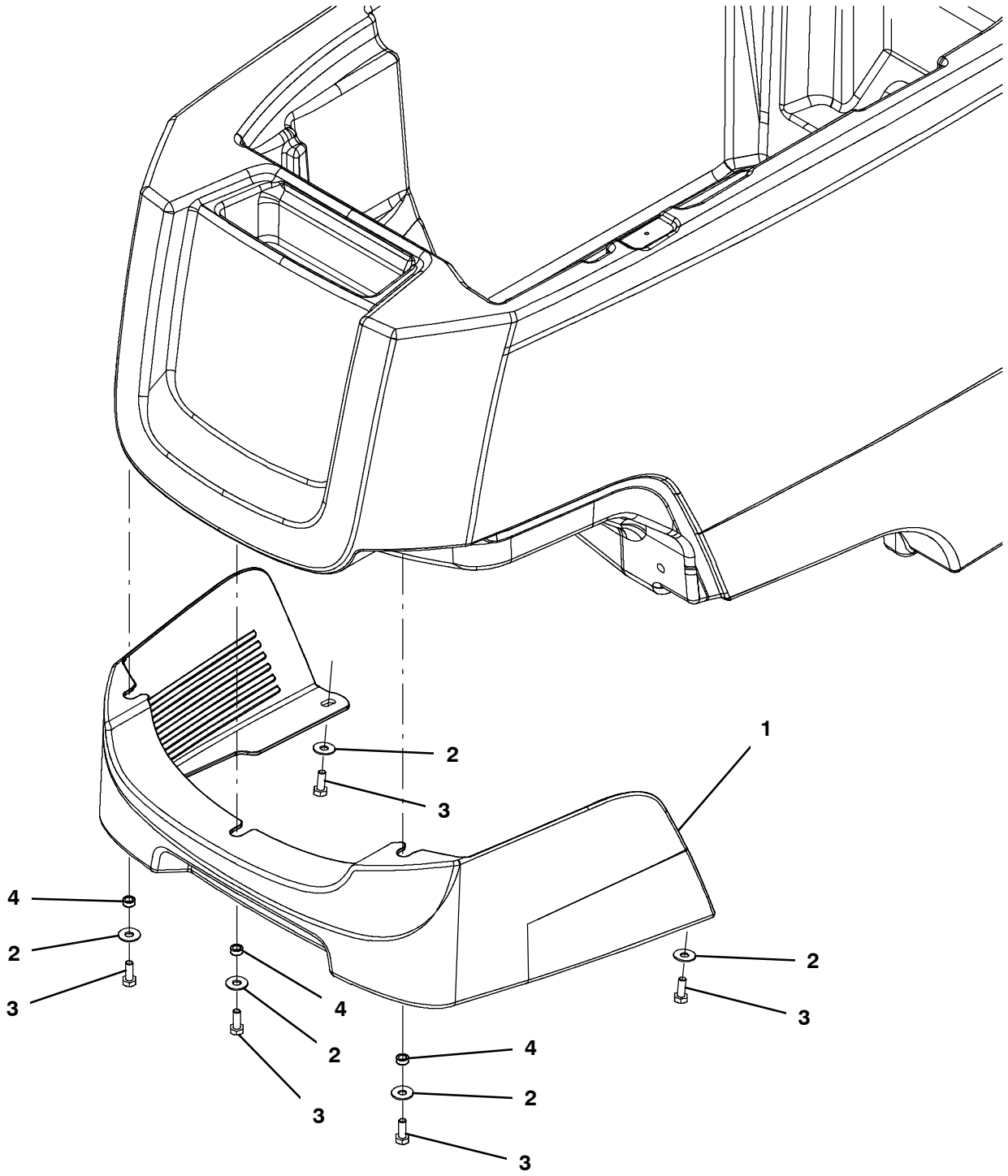
* Requires Tennant *True* service or an authorized Tennant service provider.

▽ ASSEMBLY

▲ INCLUDED IN ASSEMBLY

SHROUD GROUP, DISK AND ORBITAL HEAD

355299

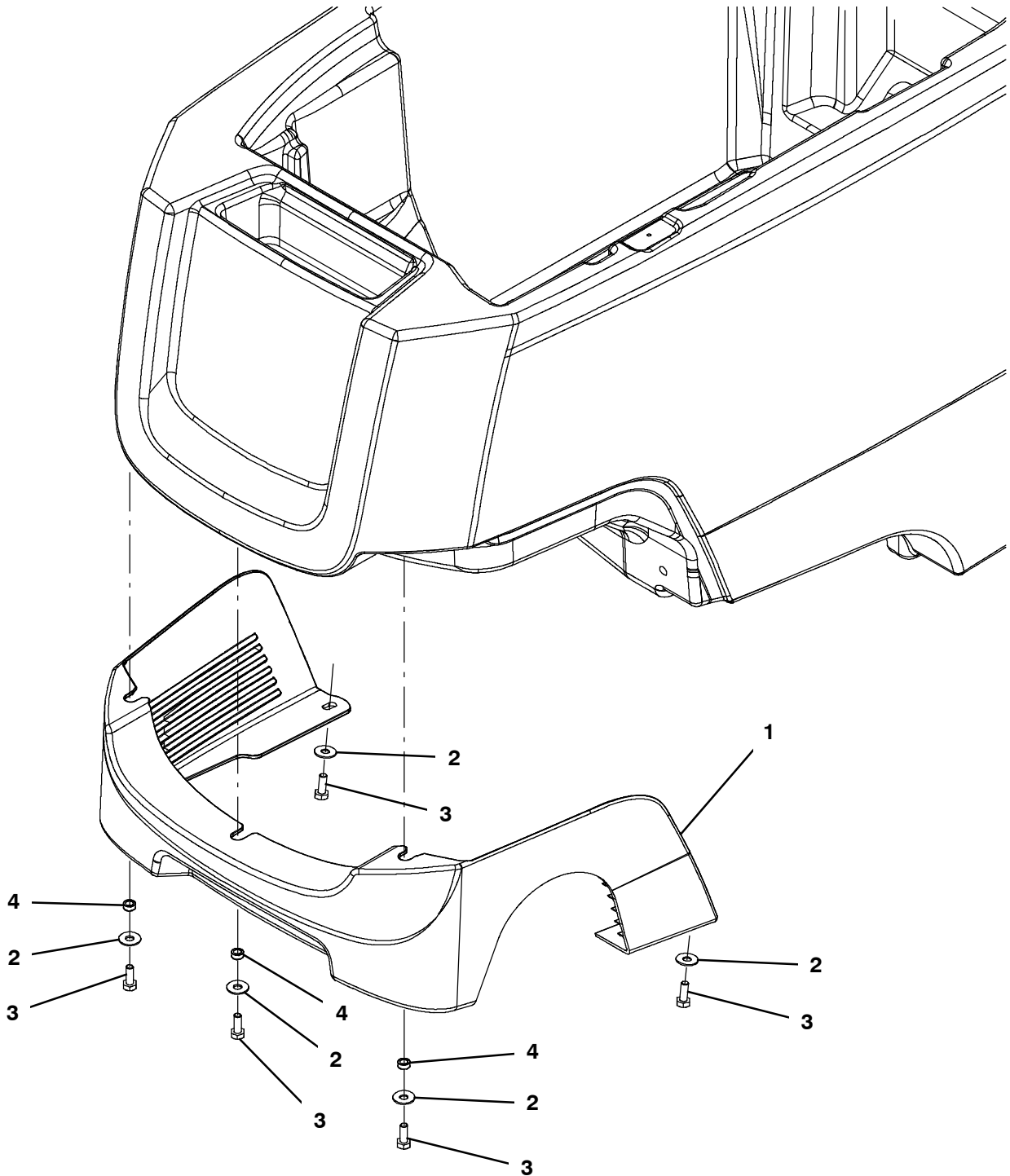


SHROUD GROUP, DISK AND ORBITAL HEAD

Ref.	Part No.	Serial Number	Description	Qty.
1	1210029	(10000000- 20000000)	Cover, Head, Disk, Im- Hg [T300]	1
2	01684	(10000000- 20000000)	Washer, Flat, 0.27b 0.69d .05, Ss	5
3	11329	(10000000- 20000000)	Screw, Hex, M6 X 1.00 X 16, NI, Ss	5
4	80491	(10000000- 20000000)	Sleeve, P/M, 0.25b 0.38d 0.2l [430ss]	3

SHROUD GROUP, CYLINDRICAL HEAD

355300



SHROUD GROUP, CYLINDRICAL HEAD

Ref.	Part No.	Serial Number	Description	Qty.
1	1213570	(10000000- 20000000)	Cover, Head, Cylrcl, Im- Hg [T300]	1
2	01684	(10000000- 20000000)	Washer, Flat, 0.27b 0.69d .05, Ss	5
3	11329	(10000000- 20000000)	Screw, Hex, M6 X 1.00 X 16, NI, Ss	5
4	80491	(10000000- 20000000)	Sleeve, P/M, 0.25b 0.38d 0.2l [430ss]	3

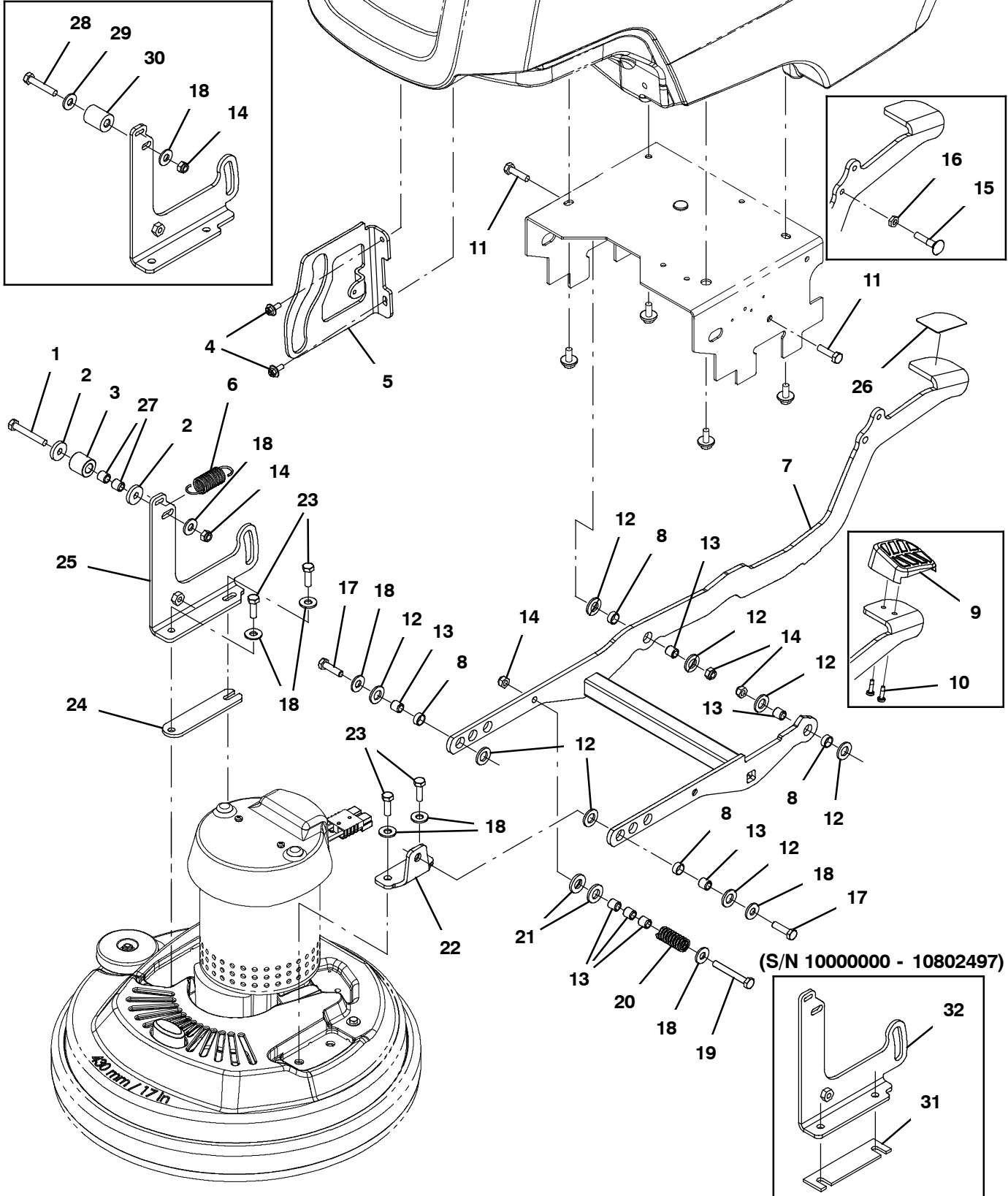
▽ ASSEMBLY

▲ INCLUDED IN ASSEMBLY

SCRUB HEAD LIFT GROUP, 43CM DISK MODEL

355285

(S/N 1000000 - 10778393)



SCRUB HEAD LIFT GROUP, 43CM DISK MODEL

Ref.	Part No.	Serial Number	Description	Qty.
1	222504	(10778394- 20000000)	Screw, Hex, M8 X 1.25 X 55, Ss	1
2	1028796	(10778394- 20000000)	Washer, Flat, 0.33b 1.00d .18, Stl, Pl	2
3	1014020	(10778394- 20000000)	Roller, 0.99d 0.50b 0.95l, Acetal	1
4	1034731	(10000000- 20000000)	Screw, Hex, M6 X 1.00 X 16, Sems, Ss	2
5	1213063	(10000000- 20000000)	Bracket, Guide, Head [Vw]	1
6	1032420	(10000000- 20000000)	Spring, Extn, 0.85od 0.09wir 02.9l	1
▽	7	9016811	(10887017- 20000000) Kit, Lift, Head, Ci [T300/T300e/Ss300]	1
▲	8	630188	(10000000- 20000000) Bearing, Journal, .50id X .25l	8
▽	7	9014170	(10000000- 10887016) Kit, Lift, Head[T300/T300e/Ss300] (Replaced by 9016811)	1
▲	8	630188	(10000000- 20000000) Bearing, Journal, .50id X .25l	8
9	1209093	(10000000- 10757507)	Cover, Pedal (Replaced by 1218694)	1
10	1043573	(10000000- 10757507)	Screw, #10- 14 X 0.675, Spl[Shcs,Selftap]	2
11	09011	(10000000- 20000000)	Screw, Hex, M8 X 1.25 X 30, Ss	2
12	1013936	(10000000- 20000000)	Washer, Flat, 0.51b 0.94d .10, Nyl	8
13	222460	(10000000- 20000000)	Sleeve, P/M, 0.32b 0.50d 0.5l [430ss]	7
14	08713	(10000000- 20000000)	Nut, Hex, Lock, M8 X 1.25, NI, Ss	4
15	1235108	(10000000- JAN2020)	Bolt, Carriage, M8 X 1.25 X 90, Fl	1
16	200101017	(10000000- JAN2020)	Nut, Hex, Jam, M8 X 1.25	1
17	1016399	(10000000- 20000000)	Screw, Hex, M8 X 1.25 X 30, NI, Ss	2
18	01685	(10000000- 20000000)	Washer, Flat, 0.38b 0.88d .08, Ss	8
19	1014163	(10000000- 20000000)	Screw, Hex, M8 X 1.25 X 60, Fl, Ss	1
20	140430	(10000000- 20000000)	Spring, Cmpr, 0.70od .10wir 01.7l	1
21	140127	(10000000- 20000000)	Washer, Thrust, 0.51b 1.00d 0.12w, Brz	2
22	1210258	(10000000- 20000000)	Bracket Wldt, Head Mtg, 43d/50d, Short	1
23	12333	(10000000- 20000000)	Screw, Hex, M8 X 1.25 X 25, Ss, NI	4
24	1223982	(10802498- 20000000)	Spacer, Head, 4mm	1
25	1223962	(10802498- 20000000)	Bracket Wldt, Mtg, Head, 43d/50d, Tall	1
26	1218694	(10757508- 20000000)	Pad, Pedal, Lift	1
27	222460	(10778394- 20000000)	Sleeve, P/M, 0.32b 0.50d 0.5l [430ss]	2
28	49694	(10000000- 10778393)	Screw, Hex, M8 X 1.25 X 50, Ss	1
29	01685	(10000000- 10778393)	Washer, Flat, 0.38b 0.88d .08, Ss	1
30	1214039	(10000000- 10778393)	Roller, Lift, Head	1
31	1032791	(10000000- 10802497)	Spacer, Head, 4mm [Ss3] (Push Model)	1
32	1210256	(10000000- 10802497)	Bracket Wldt, Mtg, Head, 50d, Tall [Vw] (Replaced By 1223962)	1

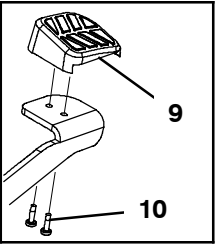
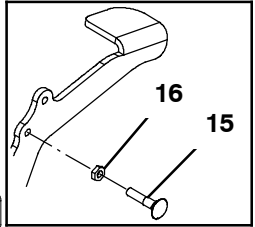
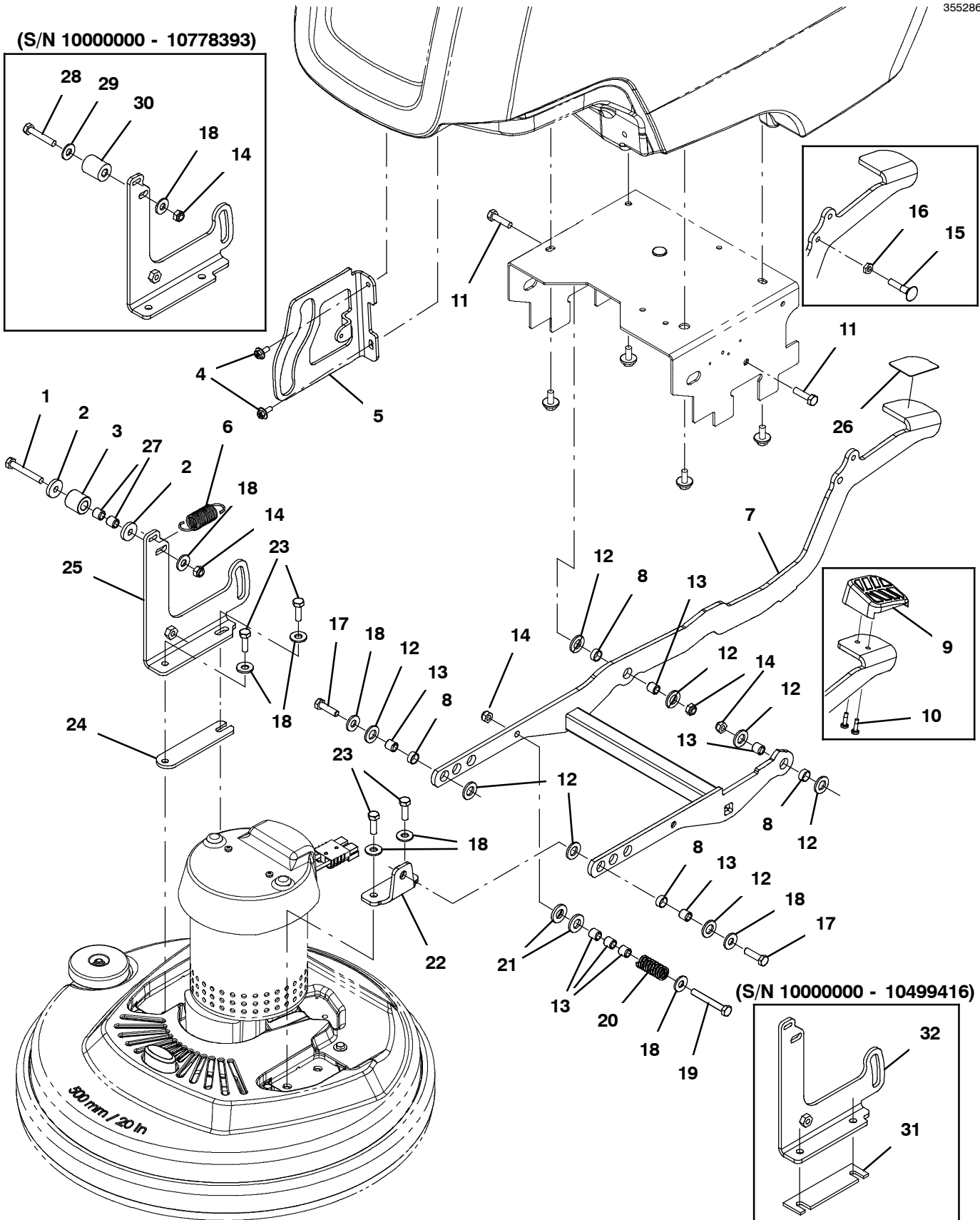
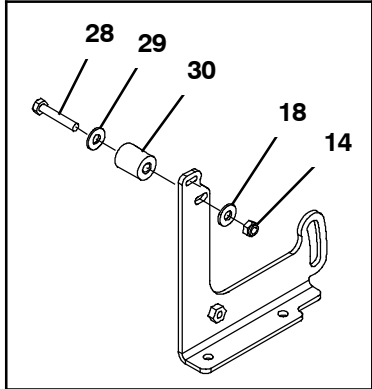
▽ ASSEMBLY

▲ INCLUDED IN ASSEMBLY

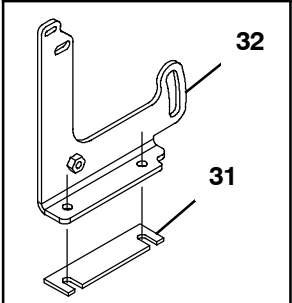
SCRUB HEAD LIFT GROUP, 50CM DISK MODEL

355286

(S/N 1000000 - 10778393)



(S/N 1000000 - 10499416)



SCRUB HEAD LIFT GROUP, 50CM DISK MODEL

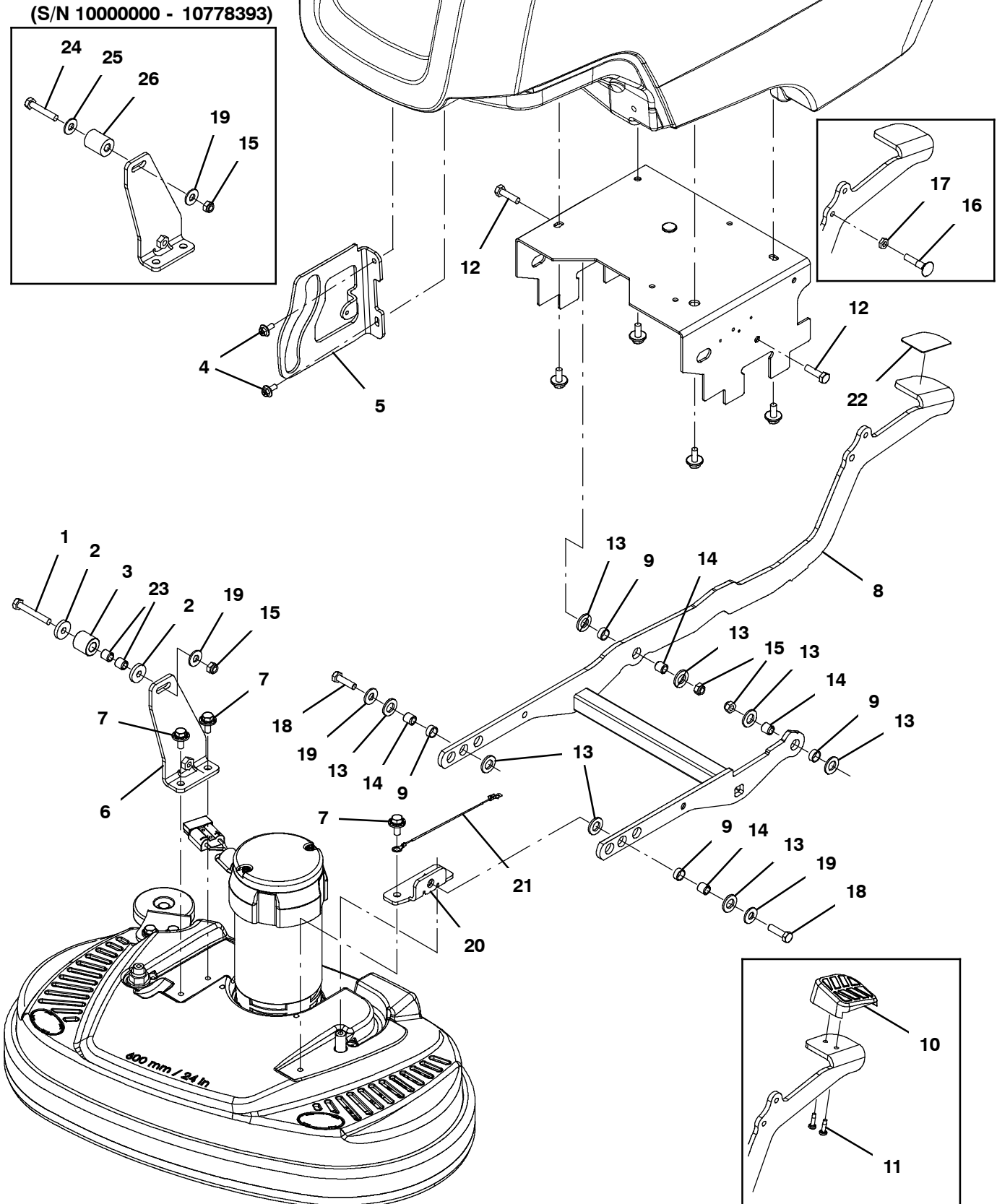
Ref.	Part No.	Serial Number	Description	Qty.
1	222504	(10778394- 20000000)	Screw, Hex, M8 X 1.25 X 55, Ss	1
2	1028796	(10778394- 20000000)	Washer, Flat, 0.33b 1.00d .18, Stl, Pl	2
3	1014020	(10778394- 20000000)	Roller, 0.99d 0.50b 0.95l, Acetal	1
4	1034731	(10000000- 20000000)	Screw, Hex, M6 X 1.00 X 16, Sems, Ss	2
5	1213063	(10000000- 20000000)	Bracket, Guide, Head [Vw]	1
6	1032420	(10000000- 20000000)	Spring, Extn, 0.85od 0.09wir 02.9l	1
▽	7	9016811	(10887017- 20000000) Kit, Lift, Head, Ci [T300/T300e/Ss300]	1
▲	8	630188	(10000000- 20000000) Bearing, Journal, .50id X .25l	8
▽	7	9014170	(10000000- 10887016) Kit, Lift, Head[T300/T300e/Ss300] (Replaced by 9016811)	1
▲	8	630188	(10000000- 20000000) Bearing, Journal, .50id X .25l	8
9	1209093	(10000000- 10757507)	Cover, Pedal (Replaced by 1218694)	1
10	1043573	(10000000- 10757507)	Screw, #10- 14 X 0.675, Spl[Shcs,Selftap]	2
11	09011	(10000000- 20000000)	Screw, Hex, M8 X 1.25 X 30, Ss	2
12	1013936	(10000000- 20000000)	Washer, Flat, 0.51b 0.94d .10, Nyl	8
13	222460	(10000000- 20000000)	Sleeve, P/M, 0.32b 0.50d 0.5l [430ss]	7
14	08713	(10000000- 20000000)	Nut, Hex, Lock, M8 X 1.25, NI, Ss	4
15	1235108	(10000000- JAN2020)	Bolt, Carriage, M8 X 1.25 X 90, Fl	1
16	200101017	(10000000- JAN2020)	Nut, Hex, Jam, M8 X 1.25	1
17	1016399	(10000000- 20000000)	Screw, Hex, M8 X 1.25 X 30, NI, Ss	2
18	01685	(10000000- 20000000)	Washer, Flat, 0.38b 0.88d .08, Ss	8
19	1014163	(10000000- 20000000)	Screw, Hex, M8 X 1.25 X 60, Fl, Ss	1
20	140430	(10000000- 20000000)	Spring, Cmpr, 0.70od .10wir 01.7l	1
21	140127	(10000000- 20000000)	Washer, Thrust, 0.51b 1.00d 0.12w, Brz	2
22	1210258	(10000000- 20000000)	Bracket Wldt, Head Mtg, 43d/50d, Short	1
23	12333	(10000000- 20000000)	Screw, Hex, M8 X 1.25 X 25, Ss, NI	4
24	1223982	(10499417- 20000000)	Spacer, Head, 4mm	1
25	1223962	(10499417- 20000000)	Bracket Wldt, Mtg, Head, 43d/50d, Tall	1
26	1218694	(10757508- 20000000)	Pad, Pedal, Lift	1
27	222460	(10778394- 20000000)	Sleeve, P/M, 0.32b 0.50d 0.5l [430ss]	2
28	49694	(10000000- 10778393)	Screw, Hex, M8 X 1.25 X 50, Ss	1
29	01685	(10000000- 10778393)	Washer, Flat, 0.38b 0.88d .08, Ss	1
30	1214039	(10000000- 10778393)	Roller, Lift, Head	1
31	1032791	(10000000- 10499416)	Spacer, Head, 4mm [Ss3] (Push Model)	1
32	1210256	(10000000- 10499416)	Bracket Wldt, Mtg, Head, 50d, Tall [Vw] (Replaced By 1223962)	1

▽ ASSEMBLY

▲ INCLUDED IN ASSEMBLY

SCRUB HEAD LIFT GROUP, 60CM DUAL DISK MODEL

355287



SCRUB HEAD LIFT GROUP, 60CM DUAL DISK MODEL

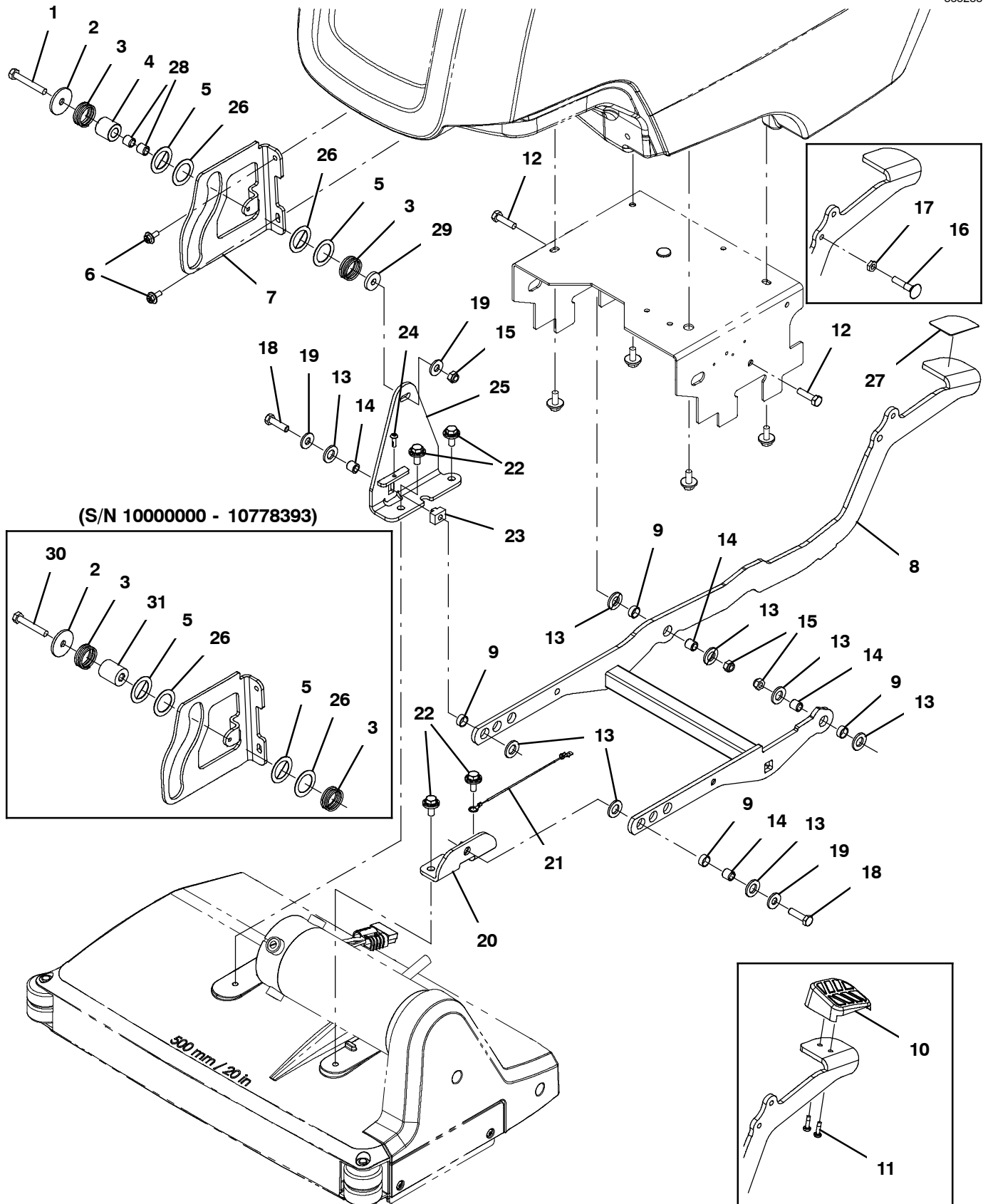
Ref.	Part No.	Serial Number	Description	Qty.
1	222504	(10778394- 20000000)	Screw, Hex, M8 X 1.25 X 55, Ss	1
2	1028796	(10778394- 20000000)	Washer, Flat, 0.33b 1.00d .18, Stl, Pl	2
3	1014020	(10778394- 20000000)	Roller, 0.99d 0.50b 0.95l, Acetal	1
4	1034731	(10000000- 20000000)	Screw, Hex, M6 X 1.00 X 16, Sems, Ss	2
5	1213063	(10000000- 20000000)	Bracket, Guide, Head [Vw]	1
6	1213220	(10000000- 20000000)	Bracket Wldt, Mtg, Head, 60dd, Tall [Vw]	1
7	1020341	(10000000- 20000000)	Screw, Hex, M8 X 1.25 X 20, Ss, Sems	3
▽	8	9016811	(10887017- 20000000) Kit, Lift, Head, Ci [T300/T300e/Ss300]	1
▲	9	630188	(10000000- 20000000) Bearing, Journal, .50id X .25l	8
▽	8	9014170	(10000000- 10887016) Kit, Lift, Head[T300/T300e/Ss300] (Replaced by 9016811)	1
▲	9	630188	(10000000- 20000000) Bearing, Journal, .50id X .25l	8
	10	1209093	(10000000- 10757507) Cover, Pedal (Replaced by 1218694)	1
	11	1043573	(10000000- 10757507) Screw, #10- 14 X 0.675, Spl[Shcs,Selftap]	2
	12	09011	(10000000- 20000000) Screw, Hex, M8 X 1.25 X 30, Ss	2
	13	1013936	(10000000- 20000000) Washer, Flat, 0.51b 0.94d .10, Nyl	8
	14	222460	(10000000- 20000000) Sleeve, P/M, 0.32b 0.50d 0.5l [430ss]	4
	15	08713	(10000000- 20000000) Nut, Hex, Lock, M8 X 1.25, NI, Ss	3
	16	1235108	(10000000- JAN2020) Bolt, Carriage, M8 X 1.25 X 90, Fl	1
	17	200101017	(10000000- JAN2020) Nut, Hex, Jam, M8 X 1.25	1
	18	1016399	(10000000- 20000000) Screw, Hex, M8 X 1.25 X 30, NI, Ss	2
	19	01685	(10000000- 20000000) Washer, Flat, 0.38b 0.88d .08, Ss	3
	20	1213224	(10000000- 20000000) Bracket Wldt, Mtg, Head, 60dd, Short[Vw]	1
	21	1074344	(10000000- 20000000) Harness, Ele [Ring With .250m Tail]	1
	22	1218694	(10757508- 20000000) Pad, Pedal, Lift	1
	23	222460	(10778394- 20000000) Sleeve, P/M, 0.32b 0.50d 0.5l [430ss]	2
	24	49694	(10000000- 10778393) Screw, Hex, M8 X 1.25 X 50, Ss	1
	25	01685	(10000000- 10778393) Washer, Flat, 0.38b 0.88d .08, Ss	1
	26	1214039	(10000000- 10778393) Roller, Lift, Head	1

▽ ASSEMBLY

▲ INCLUDED IN ASSEMBLY

SCRUB HEAD LIFT GROUP, 50CM CYLINDRICAL MODEL

355288



SCRUB HEAD LIFT GROUP, 50CM CYLINDRICAL MODEL

Ref.	Part No.	Serial Number	Description	Qty.
1	222504	(10778394- 20000000)	Screw, Hex, M8 X 1.25 X 55, Ss	1
2	379829	(10000000- 20000000)	Washer, Flat, 0.34b 1.50d .12, Stl, PI	1
3	1210103	(10000000- 20000000)	Spring, Cmpr, 1.23od 0.085wir 0.88l	2
4	1014020	(10778394- 20000000)	Roller, 0.99d 0.50b 0.95l, Acetal	1
5	20955	(10000000- 20000000)	Washer, Flat, 1.03b 1.50d .04, Stl, PI	2
6	1034731	(10000000- 20000000)	Screw, Hex, M6 X 1.00 X 16, Sems, Ss	2
7	1213063	(10000000- 20000000)	Bracket, Guide, Head [Vw]	1
▽	8	9016811	(10887017- 20000000) Kit, Lift, Head, Ci [T300/T300e/Ss300]	1
▲	9	630188	(10000000- 20000000) Bearing, Journal, .50id X .25l	8
▽	8	9014170	(10000000- 10887016) Kit, Lift, Head[T300/T300e/Ss300] (Replaced by 9016811)	1
▲	9	630188	(10000000- 20000000) Bearing, Journal, .50id X .25l	8
10	1209093	(10000000- 10757507)	Cover, Pedal (Replaced by 1218694)	1
11	1043573	(10000000- 10757507)	Screw, #10- 14 X 0.675, Spl[Shcs,Selftap]	2
12	09011	(10000000- 20000000)	Screw, Hex, M8 X 1.25 X 30, Ss	2
13	1013936	(10000000- 20000000)	Washer, Flat, 0.51b 0.94d .10, Nyl	8
14	222460	(10000000- 20000000)	Sleeve, P/M, 0.32b 0.50d 0.5l [430ss]	4
15	08713	(10000000- 20000000)	Nut, Hex, Lock, M8 X 1.25, NI, Ss	3
16	1235108	(10000000- JAN2020)	Bolt, Carriage, M8 X 1.25 X 90, FI	1
17	200101017	(10000000- JAN2020)	Nut, Hex, Jam, M8 X 1.25	1
18	1016399	(10000000- 20000000)	Screw, Hex, M8 X 1.25 X 30, NI, Ss	2
19	01685	(10000000- 20000000)	Washer, Flat, 0.38b 0.88d .08, Ss	3
20	1213226	(10000000- 20000000)	Bracket Wldt, Mtg, Head, 50cyl [Short]	1
21	1074344	(10000000- 20000000)	Harness, Ele [Ring With .250m Tail]	1
22	1020341	(10000000- 20000000)	Screw, Hex, M8 X 1.25 X 20, Ss, Sems	4
23	1221434	(10000000- 20000000)	Nut, T, M8 X 1.25, Pm, PI [B5/B7, T300]	1
24	1205799	(10000000- 20000000)	Screw, Btn, M5 X 0.8 X 16, 8.8, NI, Torx	1
25	1216222	(10000000- 20000000)	Bracket Wldt, Mtg, Head	1
26	1210112	(10000000- 20000000)	Washer, Flat, 1.03b 1.50d .03, Nylon	2
27	1218694	(10757508- 20000000)	Pad, Pedal, Lift	1
28	222460	(10778394- 20000000)	Sleeve, P/M, 0.32b 0.50d 0.5l [430ss]	2
29	1028796	(10778394- 20000000)	Washer, Flat, 0.33b 1.00d .18, Stl, PI	1
30	49694	(10000000- 10778393)	Screw, Hex, M8 X 1.25 X 50, Ss	1
31	1214039	(10000000- 10778393)	Roller, Lift, Head	1

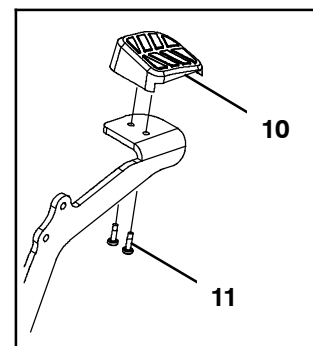
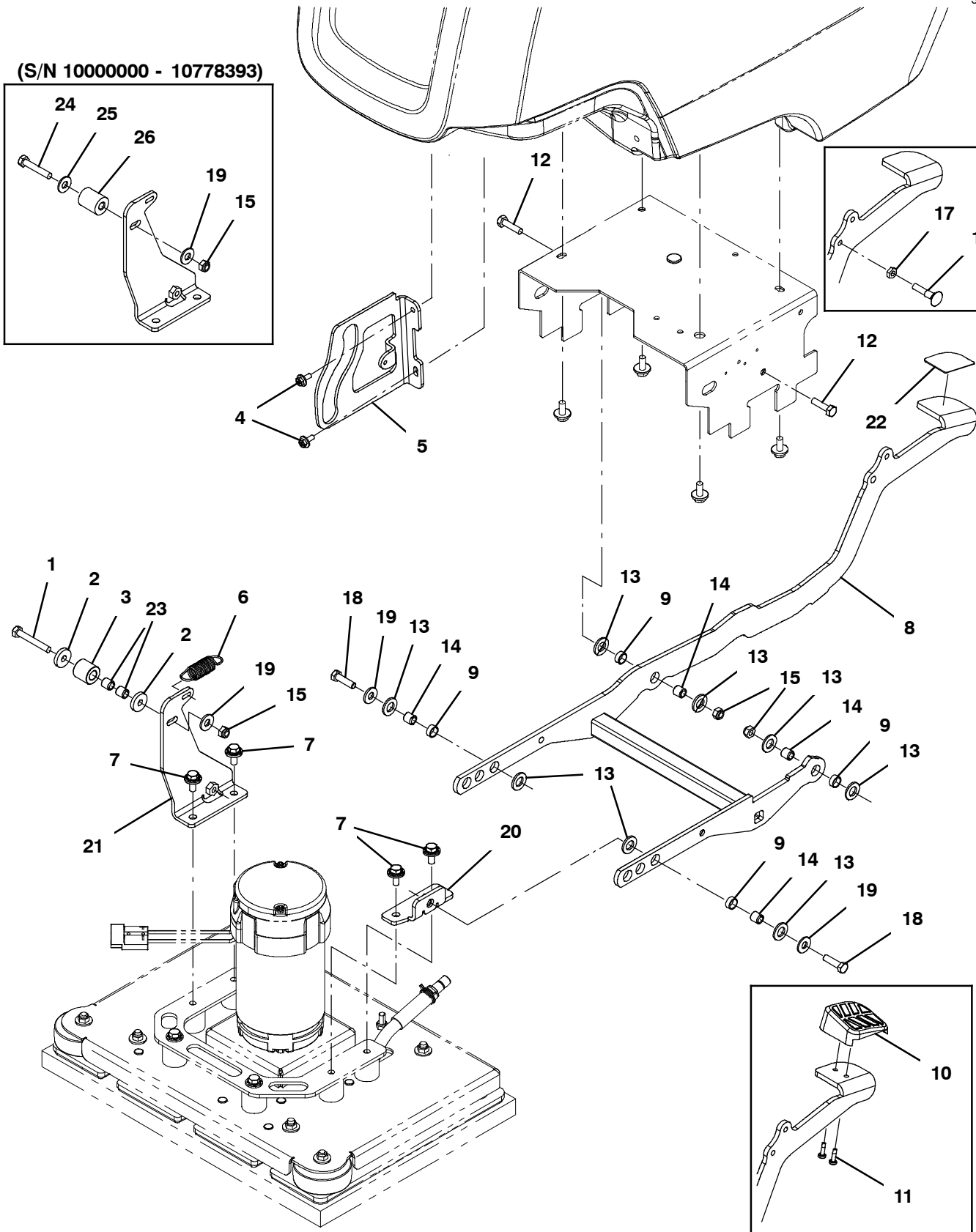
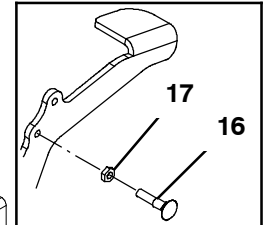
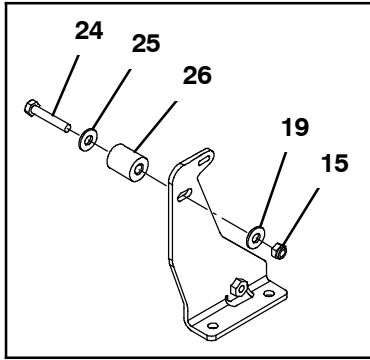
▽ ASSEMBLY

▲ INCLUDED IN ASSEMBLY

SCRUB HEAD LIFT GROUP, 50CM ORBITAL MODEL

355289

(S/N 1000000 - 10778393)



SCRUB HEAD LIFT GROUP, 50CM ORBITAL MODEL

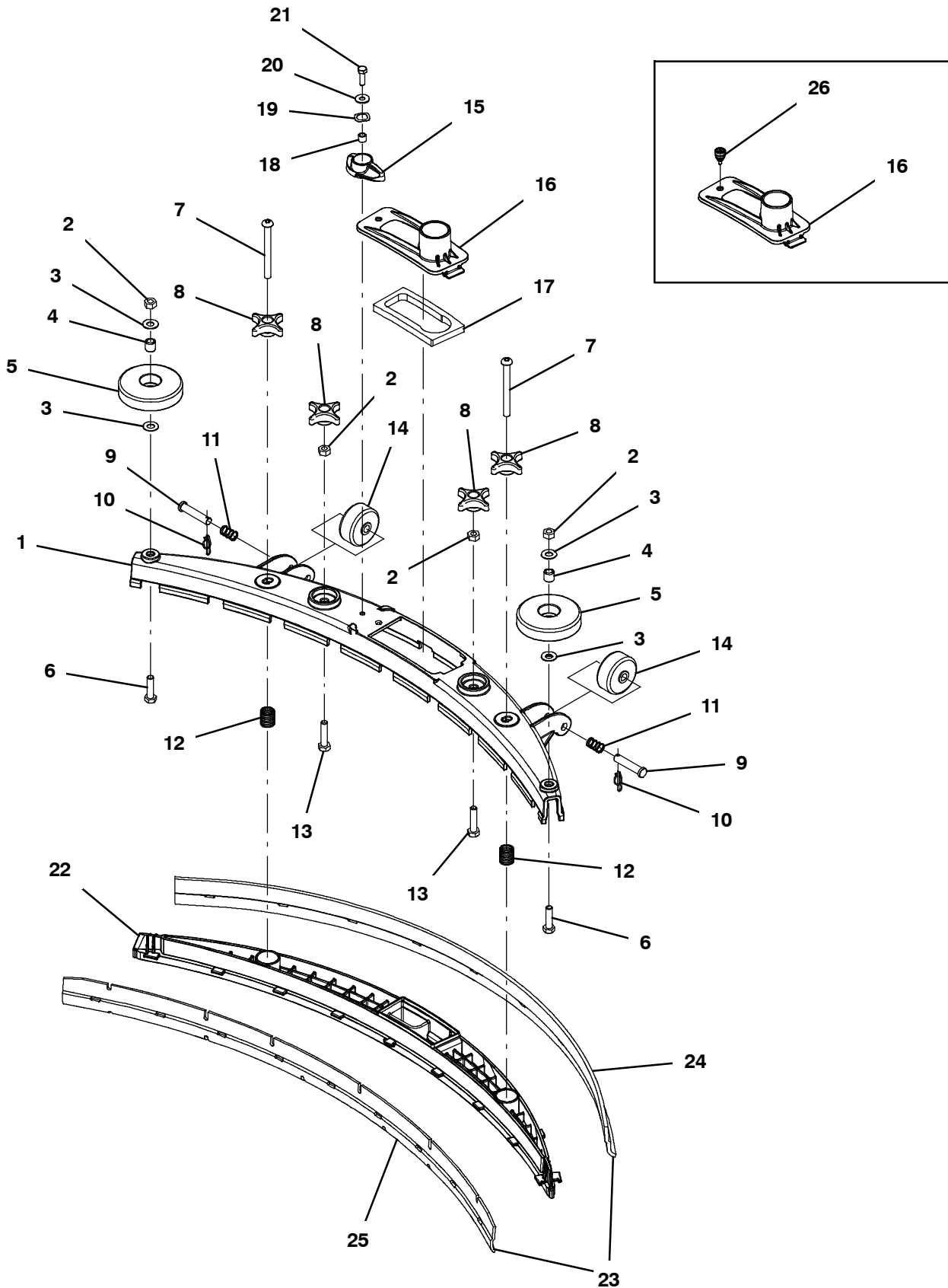
Ref.	Part No.	Serial Number	Description	Qty.
1	222504	(10778394- 20000000)	Screw, Hex, M8 X 1.25 X 55, Ss	1
2	1028796	(10778394- 20000000)	Washer, Flat, 0.33b 1.00d .18, Stl, Pl	2
3	1014020	(10778394- 20000000)	Roller, 0.99d 0.50b 0.95l, Acetal	1
4	1034731	(10000000- 20000000)	Screw, Hex, M6 X 1.00 X 16, Sems, Ss	2
5	1213063	(10000000- 20000000)	Bracket, Guide, Head [Vw]	1
6	1032420	(10000000- 20000000)	Spring, Extn, 0.85od 0.09wir 02.9l	1
7	1020341	(10000000- 20000000)	Screw, Hex, M8 X 1.25 X 20, Ss, Sems	4
▽	8	9016811	(10887017- 20000000) Kit, Lift, Head, Ci [T300/T300e/Ss300]	1
▲	9	630188	(10000000- 20000000) Bearing, Journal, .50id X .25l	8
▽	8	9014170	(10000000- 10887016) Kit, Lift, Head[T300/T300e/Ss300] (Replaced by 9016811)	1
▲	9	630188	(10000000- 20000000) Bearing, Journal, .50id X .25l	8
	10	1209093	(10000000- 10757507) Cover, Pedal (Replaced by 1218694)	1
	11	1043573	(10000000- 10757507) Screw, #10- 14 X 0.675, Spl[Shcs,Selftap]	2
	12	09011	(10000000- 20000000) Screw, Hex, M8 X 1.25 X 30, Ss	2
	13	1013936	(10000000- 20000000) Washer, Flat, 0.51b 0.94d .10, Nyl	8
	14	222460	(10000000- 20000000) Sleeve, P/M, 0.32b 0.50d 0.5l [430ss]	4
	15	08713	(10000000- 20000000) Nut, Hex, Lock, M8 X 1.25, NI, Ss	3
	16	1235108	(10000000- JAN2020) Bolt, Carriage, M8 X 1.25 X 90, Fl	1
	17	200101017	(10000000- JAN2020) Nut, Hex, Jam, M8 X 1.25	1
	18	1016399	(10000000- 20000000) Screw, Hex, M8 X 1.25 X 30, NI, Ss	2
	19	01685	(10000000- 20000000) Washer, Flat, 0.38b 0.88d .08, Ss	3
	20	1212572	(10000000- 20000000) Bracket Wldt, Mtg, Head, Orb, Short [Vw]	1
	21	1213223	(10000000- 20000000) Bracket Wldt, Mtg, Head, Orb, Tall [Vw]	1
	22	1218694	(10757508- 20000000) Pad, Pedal, Lift	1
	23	222460	(10778394- 20000000) Sleeve, P/M, 0.32b 0.50d 0.5l [430ss]	2
	24	49694	(10000000- 10778393) Screw, Hex, M8 X 1.25 X 50, Ss	1
	25	01685	(10000000- 10778393) Washer, Flat, 0.38b 0.88d .08, Ss	1
	26	1214039	(10000000- 10778393) Roller, Lift, Head	1

▽ ASSEMBLY

▲ INCLUDED IN ASSEMBLY

SQUEEGEE ASSEMBLY, 500MM / 20IN

355437



SQUEEGEE ASSEMBLY, 500MM / 20IN

Ref.	Part No.	Serial Number	Description	Qty.
▽	9014172	(10000000- 20000000)	Squeegee Kit, Linatex, Ci [T300/E/Ss300]	1
▲	1 1230946	(10000000- 20000000)	Frame, Sqge, 50cm, Mach [T300]	1
▲	2 07786	(10000000- 20000000)	Nut, Hex, Std, M8 X 1.25, Ss	2
▲	3 140027	(10000000- 20000000)	Washer, Flat, 0.35b 0.75d .04, Ss	4
▲	4 222460	(10000000- 20000000)	Sleeve, P/M, 0.32b 0.50d 0.5l [430ss]	2
▲	5 1010560	(10000000- 20000000)	Wheel, Bmpr, 80d X 25w, Non- Marking	2
▲	6 1016399	(10000000- 20000000)	Screw, Hex, M8 X 1.25 X 30, NI, Ss	2
▲	7 1255358	(10000000- 20000000)	Screw, Btn, M8 X 1.25 X 85, Ss	2
▲	8 1213677	(10000000- 20000000)	Knob, Star, 2.00od 4ear M8x1.25 [Yel]	4
▲	9 17461	(10000000- 20000000)	Pin, Clevis, 0.37d X 1.75l	2
▲	10 1216647	(10000000- 20000000)	Pin, Cotter, Hair, 0.38d .054 Wir	2
▲	11 1017091	(10000000- 20000000)	Spring, Cmpr, 0.50od .04wir 00.8l	2
▲	12 22290	(10000000- 20000000)	Spring, Cmpr, 0.72od .06wir 02.3l	2
▲	13 09026	(10000000- 20000000)	Screw, Hex, M8 X 1.25 X 40, Ss	2
▲	14 630477	(10000000- 20000000)	Wheel, Pyu, 02.0d 0.38w, Gray	2
▲	15 1222109	(xxxxxxx- 20000000)	Knob, Sqge, 58l, M6 X 1.00, Plstc	1
▲	16 1209631	(10000000- 20000000)	Cover, Trap, Water, Sqge	1
▲	17 1210756	(10000000- 20000000)	Gasket, Trap, Water, Sqge	1
▲	18 140154	(xxxxxxx- 20000000)	Sleeve, P/M, 0.25b 0.38d 0.3l, PI	1
▲	19 140060	(xxxxxxx- 20000000)	Washer, .505 X .750 X 0.45 Wave	1
▲	20 01684	(xxxxxxx- 20000000)	Washer, Flat, 0.27b 0.69d .05, Ss	1
▲	21 12277	(xxxxxxx- 20000000)	Screw, Hex, M6 X 1.00 X 20, NI, Ss	1
▲	22 1203638	(10000000- 20000000)	Retainer, Sqge [T300]	1
▲▽	23 9015731	(10000000- 20000000)	Blade Kit, 500mm, Linatex (Standard)	1
▲▲	24 1203953	(10000000- 20000000)	Blade, Sqge, Rear, 836l, Linatex[500mm] (Standard)	1
▲▲	25 1203954	(10000000- 20000000)	Blade, Sqge, Front, 788l, Linatex[500mm] (Standard)	1
▽	23 9015732	(10000000- 20000000)	Blade Kit, 500mm, Urethane (Option)	1
▲	24 1215609	(10000000- 20000000)	Blade, Sqge, Rear, 836l, Urethane[500mm] (Option)	1
▲	25 1215611	(10000000- 20000000)	Blade, Sqge, Front, 788l, Urethane[500mm] (Option)	1
▽	23 9015730	(10000000- 20000000)	Blade Kit, 500mm, Gum (Option)	1
▲	24 1215610	(10000000- 20000000)	Blade, Sqge, Rear, 836l, Gum[500mm] (Option)	1
▲	25 1215612	(10000000- 20000000)	Blade, Sqge, Front, 788l, Gum[500mm] (Option)	1
	26 1212683	(10000000- xxxxxxxx)	Screw, Captive, M5, Knurled [Snap In]	1

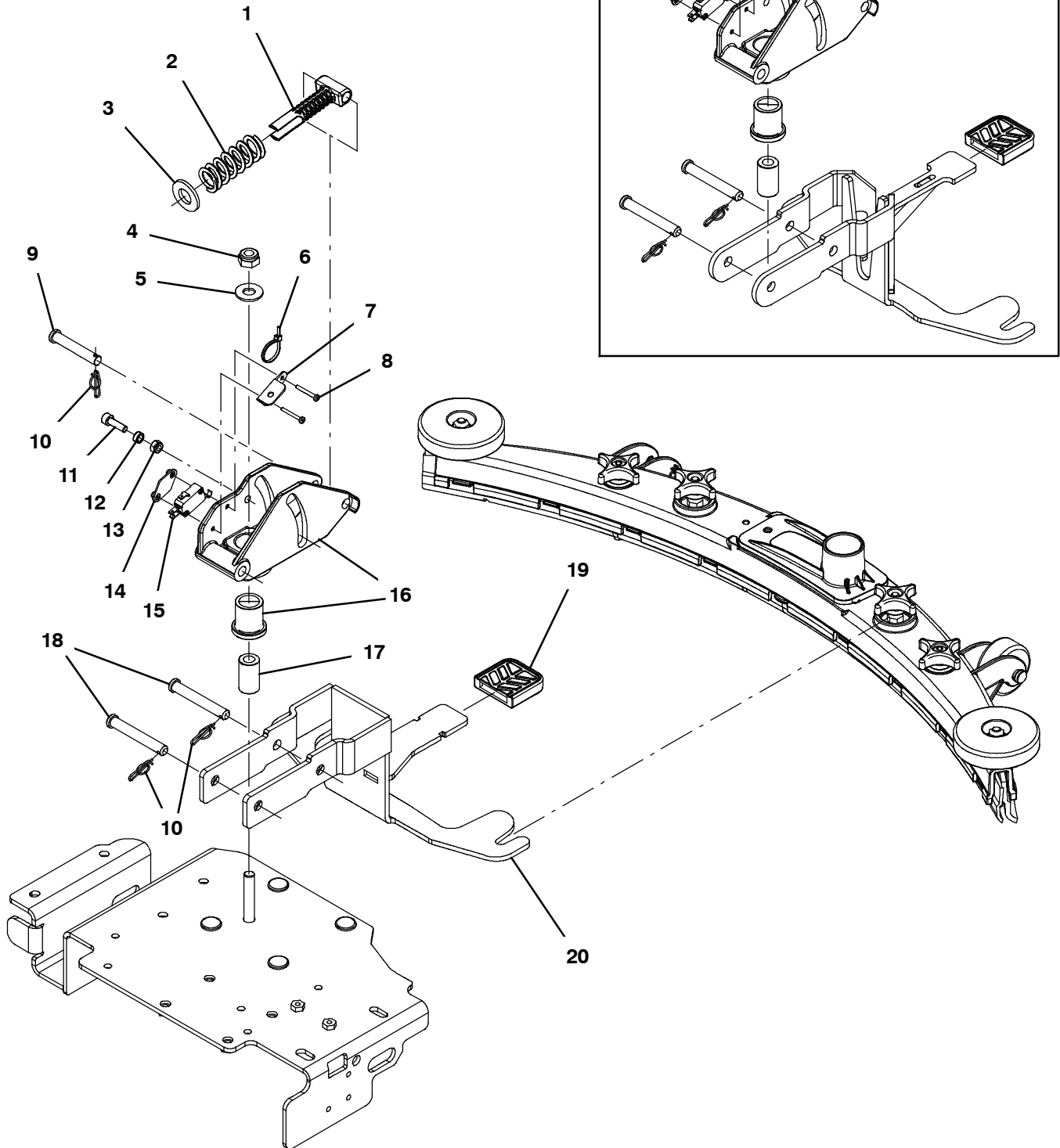
▽ ASSEMBLY

▲ INCLUDED IN ASSEMBLY

SQUEEGEE LIFT GROUP

355305

(S/N 1000000 - 10859579)

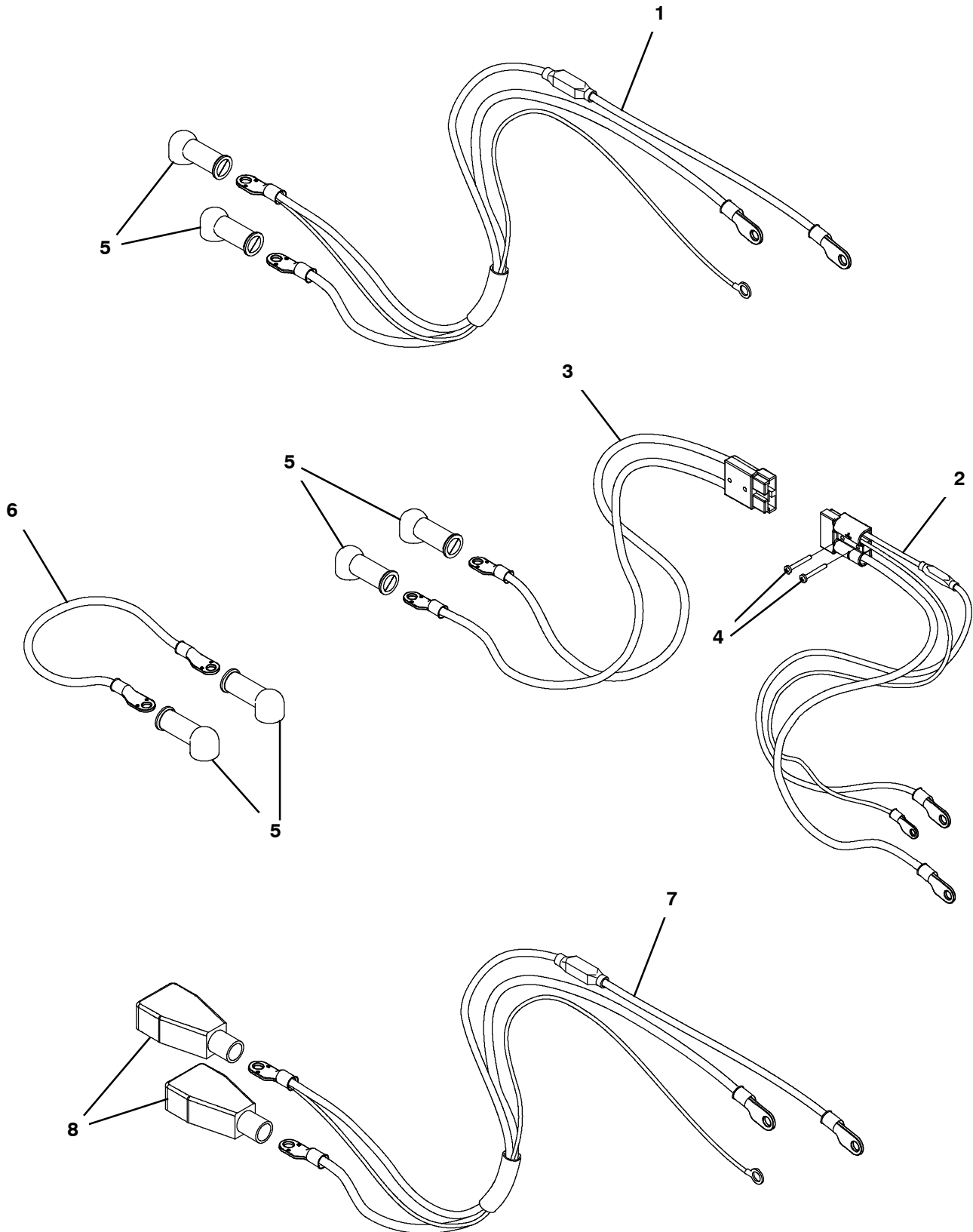


SQUEEGEE LIFT GROUP

Ref.	Part No.	Serial Number	Description	Qty.
1	1230485	(10000000- 20000000)	Pin, Guide, Spring [T300]	1
2	1215756	(10000000- 20000000)	Spring, Cmpr, 0.98od .146wir 02.5l	1
3	69954	(10000000- 20000000)	Washer, Thrust, 0.63b 1.25d 0.13w	1
4	08714	(10000000- 20000000)	Nut, Hex, Lock, M10 X 1.5, NI, Ss	1
5	140045	(10000000- 20000000)	Washer, Flat, 0.51b 1.25d .06, Ss	1
6	130773	(10859580- 20000000)	Tie, Cable, Nyl, 11.0l, .14w, 3.0 Max. D	1
7	1233709	(10859580- 20000000)	Bracket, Retaining, Wire [T300]	1
8	33933	(10000000- 20000000)	Screw, Pan, Phl, M3 X 0.50 X 25, Ss	2
9	51813	(10000000- 20000000)	Pin, Clevis, 0.37d X 2.12l	1
10	1216647	(10000000- 20000000)	Pin, Cotter, Hair, 0.38d .054 Wir	3
11	33951	(10000000- 20000000)	Screw, Soc, M6 X 1.00 X 20, 12.9	1
12	80491	(10000000- 20000000)	Sleeve, P/M, 0.25b 0.38d 0.2l [430ss]	1
13	08712	(10000000- 20000000)	Nut, Hex, Lock, M6 X 1.00, NI, Ss	1
14	1013705	(10000000- 20000000)	Plate, Thread, Switch, M3 Nut, 96hr PI	1
15	1215716	(10000000- 20000000)	Switch, 0.1a, Spdt[Micro, Gold Contacts]	1
16	9014301	(10000000- 20000000)	Bracket Kit, Sqge, Lift [T300/E, Ss300]	1
17	1214467	(10000000- 20000000)	Sleeve, P/M, 0.41b 0.75d 1.3l [430ss]	1
18	391179	(10000000- 20000000)	Pin, Clevis, 0.37d X 2.62l	2
19	1212533	(10000000- 20000000)	Cover, Pedal, Lift	1
20	9014303	(10000000- 20000000)	Bracket Kit, Sqge, Wdt [T300/E, Ss300]	1

BATTERY CABLE GROUP

355951



BATTERY CABLE GROUP

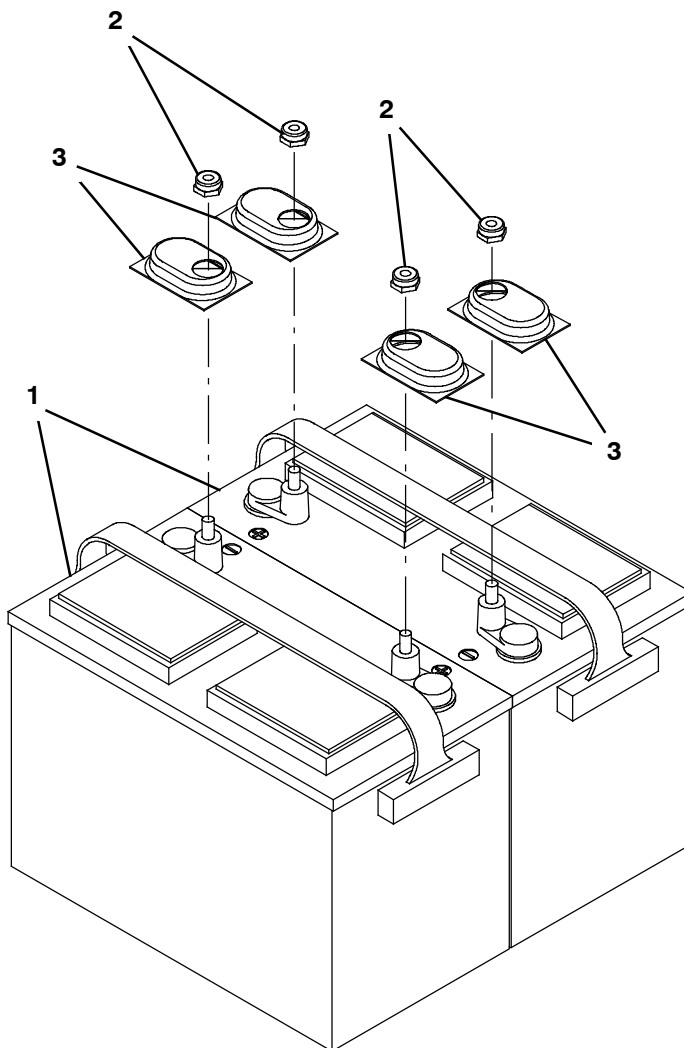
Ref.	Part No.	Serial Number	Description	Qty.	
1	1074848	(10790532- 20000000)	Cable, Assy, Fuse [T300] (Standard - Wet & AGM Batteries - Without Battery Lift Out Kit Option)	1	
▽	9014778	(10000000- 20000000)	Cable Kit, Battery, Ring, Tray,Ci [T300] (Required for Battery Lift Out Kit Option)	1	
▲	2	1073996	(10000000- 10790531)	Cable, Battery, Fuse [Sb120, 70a]	1
▲	3	1073628	(10000000- 10790531)	Cable, Battery, 4ga [M8 Ring/M8 Ring]	1
▲	4	33931	(10000000- 10790531)	Screw, Pan, Phl, M4 X 0.70 X 30, Ss	2
5	611221	(10790532- 20000000)	Boot, Terminal, Battery, 25.4mm, Blk	2	
5	611221	(10000000- 10790531)	Boot, Terminal, Battery, 25.4mm, Blk	4	
6	1073680	(10000000- 20000000)	Cable, 04ga 15.0l Blk [M8 Ring/M8 Ring]	1	
7	1266971	(10000000- 20000000)	Cable, Assy [T300] (Lithium- Ion Batteries)	1	
8	68872	(10000000- 20000000)	Boot, Terminal, Battery, 02- 01ga, Blk (Lithium- Ion Batteries)	2	

▽ ASSEMBLY

▲ INCLUDED IN ASSEMBLY

BATTERY GROUP, 105AH C20 WET

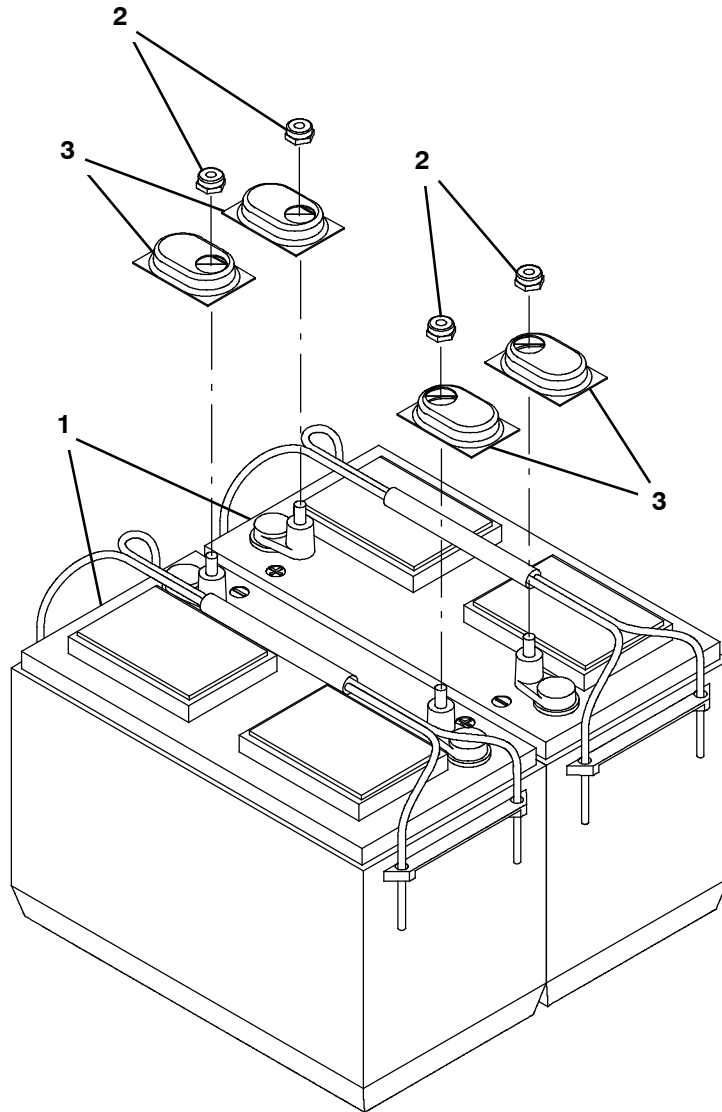
355359



Ref.	Part No.	Serial Number	Description	Qty.
1	578426	(10000000-20000000)	Battery, Wet, 12vdc 0105ah [S8, 27tmx]	2
2	87435	(10000000-20000000)	Nut, Hex, Flexlock, .31 - 18	4
3	45962	(10000000-20000000)	Cap, Battery, White [For 105ah & 130ah]	4

BATTERY GROUP, 130AH C20 WET

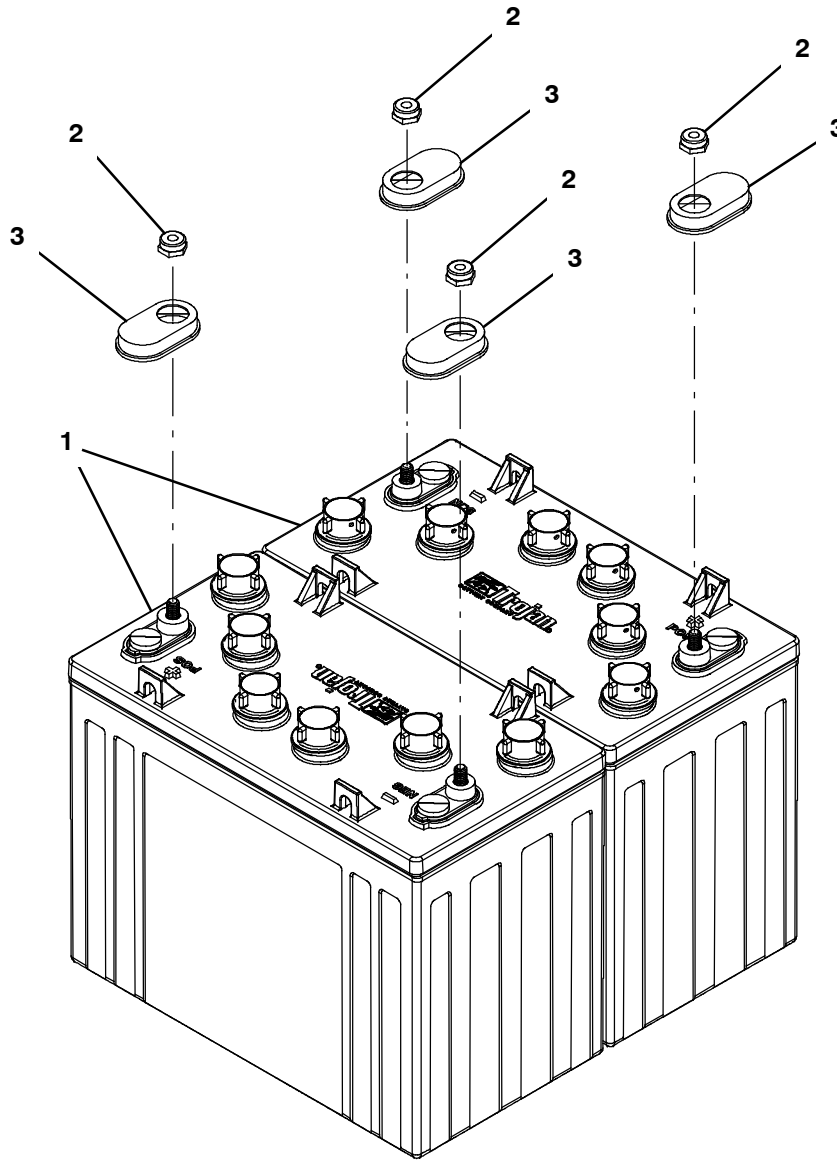
355360



Ref.	Part No.	Serial Number	Description	Qty.
1	130869	(10000000-20000000)	Battery, Wet, 12vdc 0130ah [30xhs- Wnt]	2
2	87435	(10000000-20000000)	Nut, Hex, Flexlock, .31 - 18	4
3	45962	(10000000-20000000)	Cap, Battery, White [For 105ah & 130ah]	4

BATTERY GROUP, 150AH C20 WET

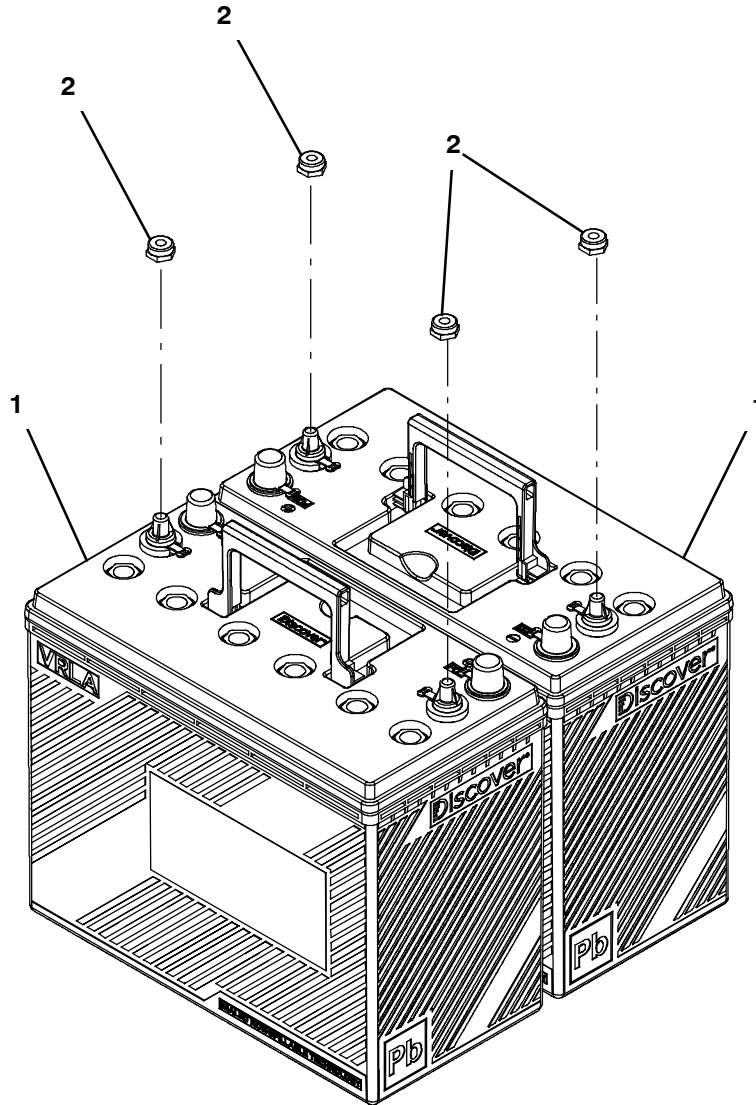
355361



Ref.	Part No.	Serial Number	Description	Qty.
1	1015046	(10000000-20000000)	Battery, Wet, 12vdc 0150ah	2
2	87435	(10000000-20000000)	Nut, Hex, Flexlock, .31 - 18	4
3	1041030	(10000000-20000000)	Cap, Battery, Black [For 155ah]	4

BATTERY GROUP, 140AH C20 AGM

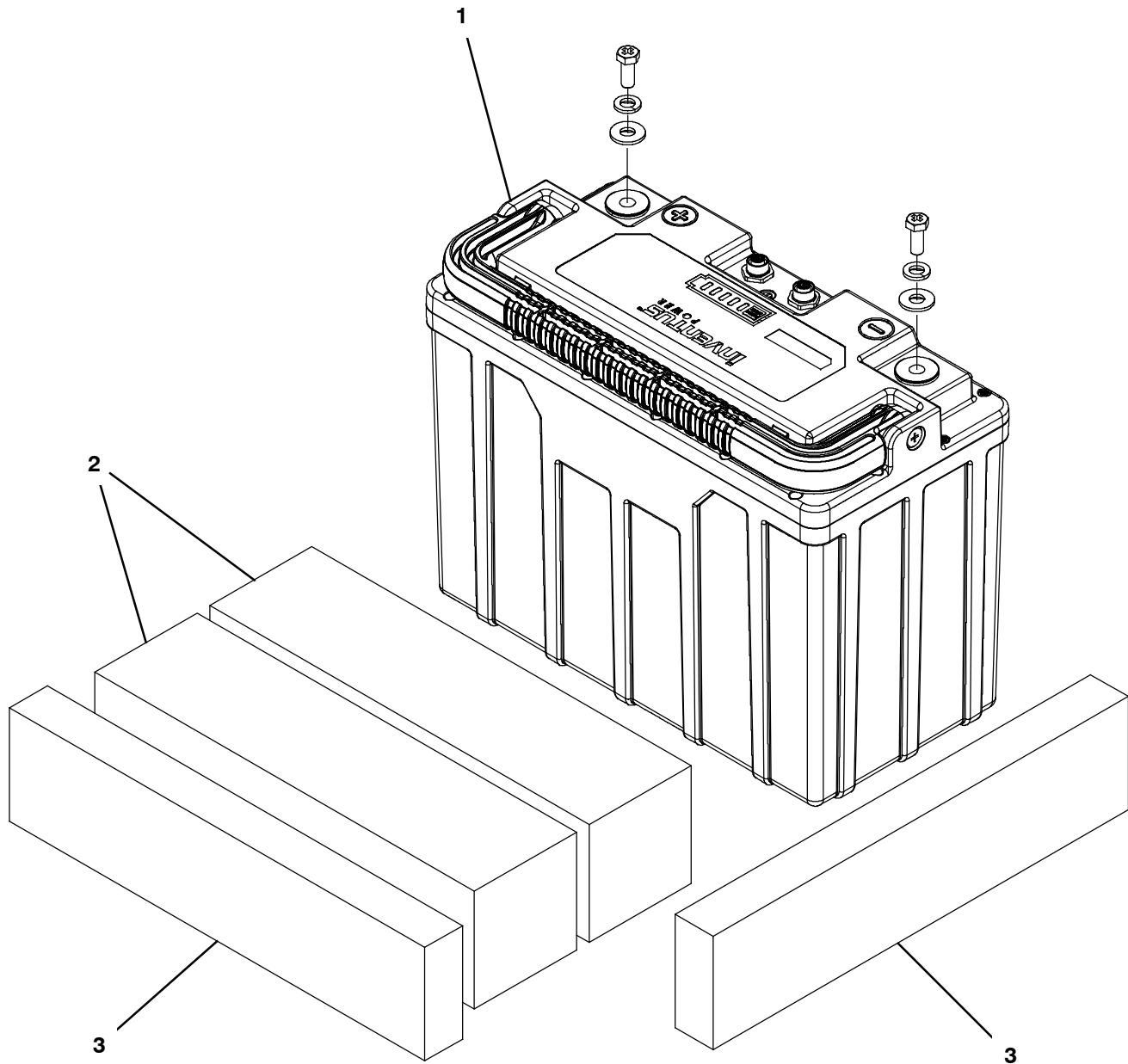
355362



Ref.	Part No.	Serial Number	Description	Qty.
1	1268974	(10000000-20000000)	Battery, 12vdc 0145ah [Agm]	2
2	87435	(10000000-20000000)	Nut, Hex, Flexlock, .31 - 18	4

BATTERY GROUP, 90AH 125 BAUD LITHIUM-ION

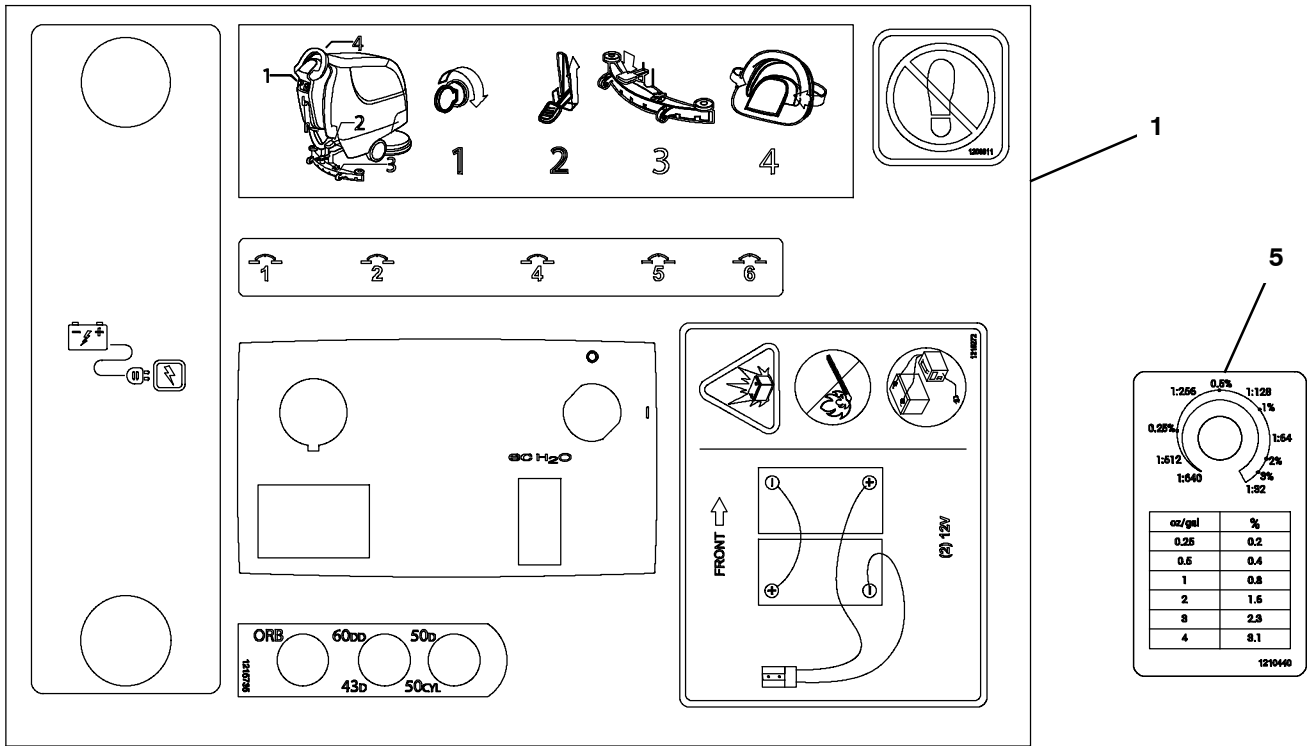
355954



Ref.	Part No.	Serial Number	Description	Qty.
1	9022779	(10000000-20000000)	Battery, Replmt, Li- Ion, 24v [T300/T500]	1
2	1243753	(10000000-20000000)	Spacer, Battery, Foam, 3.5 X 3.5 X 13.0	2
3	630375	(10000000-20000000)	Spacer, Battery, Foam, 1.25 X 3.3 X 13.7	2

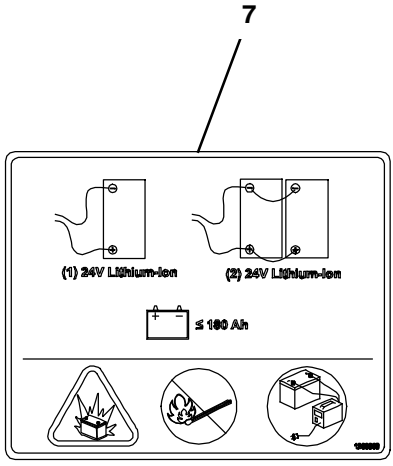
LABEL GROUP

355956

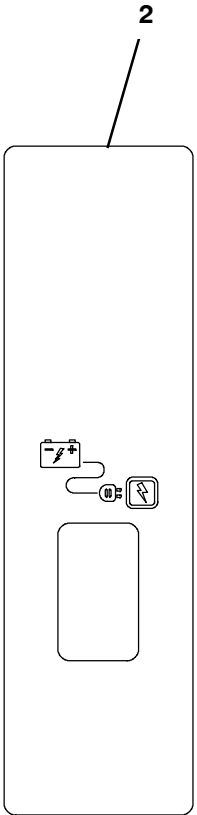


500 x 355 mm / 20 x 14 in

T300



ec H₂OTM
NanoClean




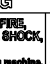



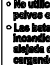

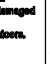
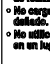



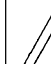








LABEL GROUP

Ref.	Part No.	Serial Number	Description	Qty.
1	1236088	(10000000- 20000000)	Label Sheet, Operational [T300/Ss300]	1
2	1225763	(10000000- 20000000)	Label, Decal, Charger, Off- Board	1
3	1214279	(10000000- 20000000)	Label, Orbital, Size, 50cm (Orbital Head)	1
4	1215262	(10000000- 20000000)	Label, T300	2
5	1210440	(10000000- 20000000)	Label, Opertnl, Detergent Metering (Severe Environment)	1
6	1216520	(10000000- 20000000)	Label, Logo [Ech2o Nano] (ec- H2O Model)	2
7	1266963	(10000000- 20000000)	Label, Hzrd, Battery [T300/E/Ss300, Li] (Lithium- Ion Batteries)	1











LABEL GROUP - CONT'D

355364



1

⚠ WARNING			⚠ AVERTISSEMENT			⚠ ADVERTENCIA		
TO REDUCE THE RISK OF FIRE, EXPLOSION, ELECTRICAL SHOCK, OR INJURY: <ul style="list-style-type: none"> Read manual before operating machine. Do not use or plug up flammable materials. Do not use near flammable liquids, vapors or combustible dusts. Batteries emit hydrogen gas. Explosion or fire can result. Keep sparks and open flame away when charging. Disconnect battery cables and charge plug before servicing machine. Do not charge batteries with damaged cord. Do not use outdoors. Store indoors. 			POUR RÉDUIRE LES RISQUES D'INCENDIE, L'EXPLOSION, DE CHOC ÉLECTRIQUE OU DE LÈSSURE: <ul style="list-style-type: none"> Lisez le manuel avant d'utiliser la machine. N'utilisez pas ou ne remplacez pas de matériaux inflammables. N'utilisez pas près de liquides, vapeurs ou poussières inflammables. Les batteries émettent du Hydrogène gazeux. Risque d'incendie et d'explosion. Évitez toute étincelle et toute flamme nue lors de la charge des batteries. Déconnectez les câbles des batteries et le cordon du chargeur avant l'entretien de la machine. Ne chargez pas les batteries avec un cordon endommagé. N'utilisez pas à l'extérieur. Entrez-les à l'intérieur. 			PARA REDUCIR EL RIESGO DE INCENDIO, EXPLOSION, CHOQUE ELÉCTRICO, O LESIONES: <ul style="list-style-type: none"> Lea el manual antes de utilizar la máquina. No utilice ni reemplace materiales inflamables. No utilice la máquina cerca de líquidos, polvos o vapores inflamables. Las baterías emiten hidrógeno. Peligro de incendio o explosión. Evite las chispas y llamas cuando se está cargando. Desconecte los cables de la batería antes de realizar el servicio a la máquina. No cargue las baterías si el cable está dañado. No utilice la máquina al aire libre. Guárdela en un lugar cerrado. 		
								
								
								
								
								
								
								




2

⚠ 警告	
火災、爆発、感電やけがを防ぐために行うこと: <ul style="list-style-type: none"> 本機を使用する前に、マニュアルをお読みください。 引火性物質を使用または取り扱わないでください。 可燃性液体、気体、蒸気、または粉塵の近くでは、作業しないでください。 バッテリーは水素ガスを発生します。燃焼や爆発の危険があります。火花や炎を近づけないでください。 本機を充電するときは、充電ケーブルと充電プラグを外してください。 損傷した充電ケーブル（バッテリー）を修理しないでください。 屋外では使用しないでください。屋内で保管してください。 	
	
	
	
	
	
	
	
	
	
	

3

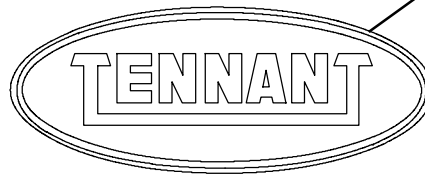
4

5



6



LABEL GROUP - CONT'D

Ref.	Part No.	Serial Number	Description	Qty.
1	1220962	(10000000- 20000000)	Label Sheet, Info/Hzrd [T500, Na]	1
2	1220966	(10000000- 20000000)	Label Sheet, Info/Hzrd [T500, Jp]	1
3	1218392	(10000000- 20000000)	Label, Safety, Magnet, Med (Magnetic Heads)	1
4	1050003	(10000000- 20000000)	Label [User, Attention, Ec- H2o] (Japan Only)	1
5	1224990	(10000000- 20000000)	Label, Opertnl, Parking Brake (Optional)	1
6	1213114	(10000000- 20000000)	Label, Logo, 05.5l, Blk/Sil [Tennant]	1
6	1205477	(10000000- 20000000)	Nameplate, Tennant, Dome, 5.5in	1

STANDARD PARTS

HARNES GROUP

Ref.	Part No.	Serial Number	Description	Qty.
▽	9015157	(10887923- 20000000)	Harness Kit, Main, Ele [Vw, Prem,Propel]	1
▲	222290	(10887923- 20000000)	Diode, Ele, Plug	4
▲	1040868	(10000000- 20000000)	Capacitor, Plug [.01 Uf, 200v]	1
▽	1075323	(10825195- 10887922)	Harness, Main, Ele [Vw, Premium, Propel] (Replaced By 9015157)	1
▲	222290	(10000000- 10887922)	Diode, Ele, Plug	3
▲	1040868	(10000000- 20000000)	Capacitor, Plug [.01 Uf, 200v]	1
▽	1073678	(10000000- 10825194)	Harness, Main, Ele [Vw, Premium, Propel] (Replaced By 9015157)	1
▲	222290	(10000000- 20000000)	Diode, Ele, Plug	3
▲	1040868	(10000000- 20000000)	Capacitor, Plug [.01 Uf, 200v]	1
▽	9015158	(10891948- 20000000)	Harness Kit, Main, Ele [Vw, Prem, Push]	1
▲	222290	(10000000- 20000000)	Diode, Ele, Plug	4
▲	1040868	(10000000- 20000000)	Capacitor, Plug [.01 Uf, 200v]	1
▽	1075324	(10838962- 10891947)	Harness, Main, Ele [Vw, Premium, Push] (Replaced By 9015158)	1
▲	222290	(10000000- 10891947)	Diode, Ele, Plug	3
▲	1040868	(10000000- 20000000)	Capacitor, Plug [.01 Uf, 200v]	1
▽	1073679	(10000000- 10838961)	Harness, Main, Ele [Vw, Premium, Push] (Replaced By 9015158)	1
▲	222290	(10000000- 20000000)	Diode, Ele, Plug	3
▲	1040868	(10000000- 20000000)	Capacitor, Plug [.01 Uf, 200v]	1
	1076900	(11060941- 20000000)	Harness, Ele [Op.Sta, Propel]	1
	1073592	(10000000- 11060940)	Harness, Ele [Vw, Op.Sta, Propel] (Replaced By 1076900)	1
	1076904	(11066074- 20000000)	Harness, Ele [Op.Stat, Push]	1
	1073593	(10000000- 11066073)	Harness, Ele [Vw, Op.Stat, Push] (Replaced By 1076904)	1
	1072524	(10000000- 20000000)	Harness, Ele [Bail Switch]	1
	1075195	(10830389- 11100269)	Harness, Ele, Adaptor [T300, Amii] (Telemetry Models)	1
	222290	(10830389- 11100269)	Diode, Ele, Plug (Telemetry Models)	1

▽ ASSEMBLY

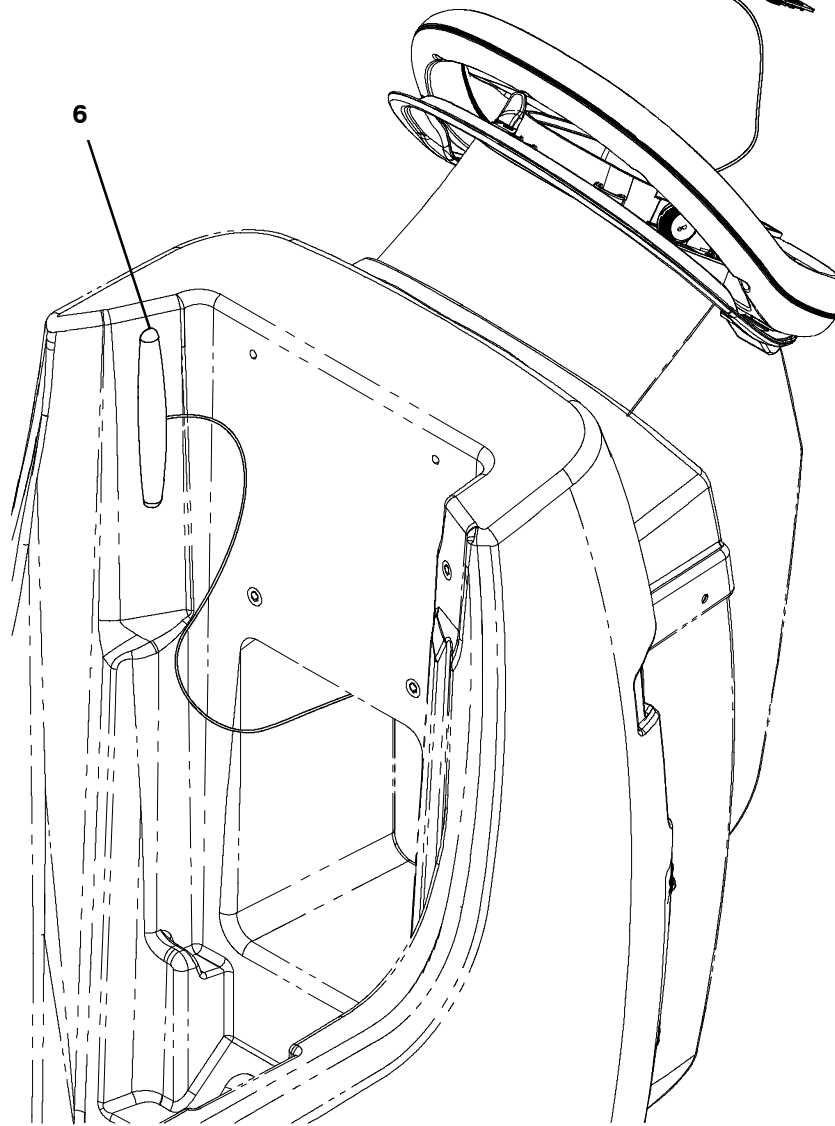
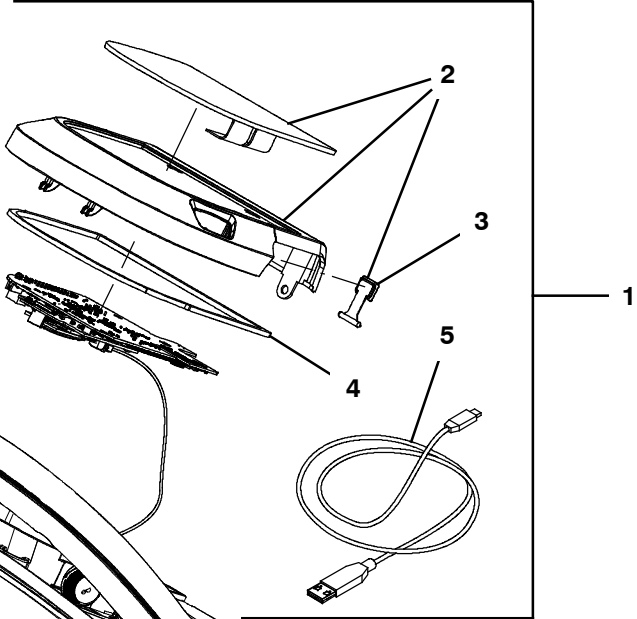
▲ INCLUDED IN ASSEMBLY

CONSOLE PANEL, PRO-MEMBRANE, PROPEL, ACTUATED DOWN PRESSURE, WITH TELEMETRY (S/N 11100270 -)

358039

Membrane Replacement
Order 9021633

Note Visual
Difference
Only When
Illuminated



**CONSOLE PANEL, PRO-MEMBRANE, PROPEL, ACTUATED DOWN PRESSURE,
WITH TELEMETRY (S/N 11100270 -)**

	Ref.	Part No.	Serial Number	Description	Qty.
▽	1	9021632*	(11100270- 20000000)	Bezel Kit, Propel, Memb, Ci [Prem,Telem]	1
▲▽	2	9021633**	(11100270- 20000000)	Screen Kit, Propel, Premium, Ci	1
▲▲	3	1205618	(10000000- 20000000)	Cap, Usb	1
▲▲	4	1245824	(MAR2020- 20000000)	Gasket, Console	1
▲	5	1071235	(10000000- 20000000)	Cable [Usb, 2m, A- Male To Mini- B- Male]	1
▲	6	1247522	(11100270- 20000000)	Antenna, Telem [4g, 72"]	1

* Requires Tennant *True* service or an authorized Tennant service provider.

** Before Ordering Screen Kit Confirm Screen Visually Matches Correct Screen Image.

▽ ASSEMBLY

▲ INCLUDED IN ASSEMBLY

OPTIONS

CONSOLE PANEL, T300 PRO- MEMBRANE, PROPEL, ACTUATED DOWN PRESSURE, WITH TELEMETRY (S/N 10000000 - 11100269)

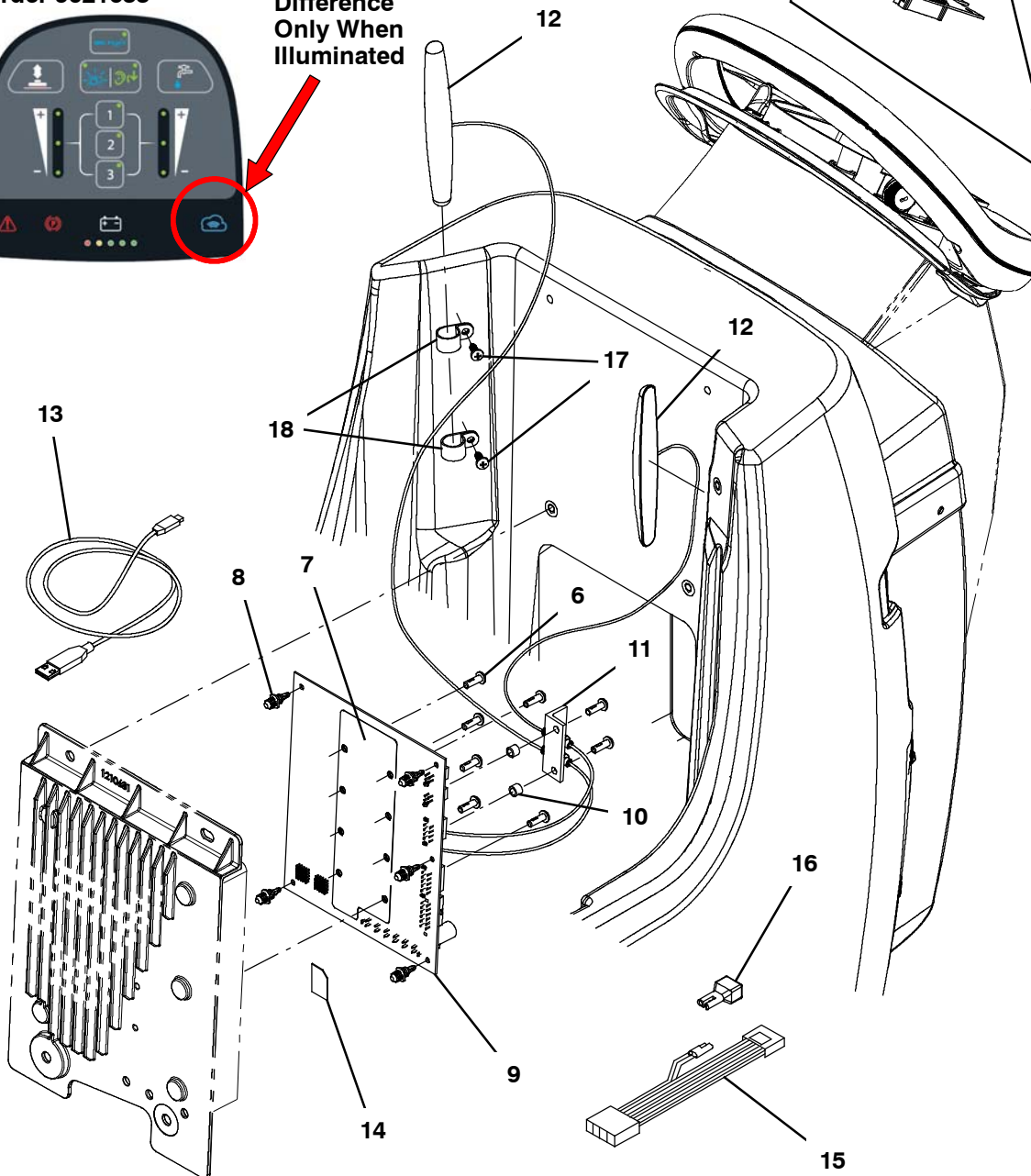
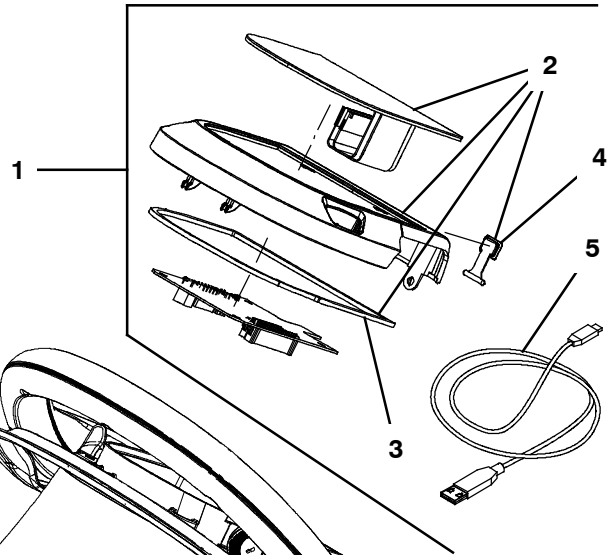
Membrane Replacement
Order 9022990

358040



Membrane Replacement
Order 9021633

Note Visual
Difference
Only When
Illuminated



**CONSOLE PANEL, T300 PRO- MEMBRANE, PROPEL, ACTUATED DOWN PRESSURE,
WITH TELEMETRY (S/N 10000000 - 11100269)**

Ref.	Part No.	Serial Number	Description	Qty.
▽	1	9014133*	(10000000- 11100269) Bezel Kit, Propel, Promembrane, Ci[T300] (Kit Includes Circuitboard) (Replaced By 9022990*)	1
▲▽	2	9014139**	(10000000- 11100269) Screen Kit, Propel, Pro- Membrn, Ci[T300] (Replaced By 9022990*)	1
▲▲	3	1245824	(MAR2020- 20000000) Gasket, Console	1
▲▲	4	1205618	(10000000- 20000000) Cap, Usb	1
▲	5	1071235	(10000000- 20000000) Cable [Usb, 2m, A- Male To Mini- B- Male]	1
	6	1205799	(10000000- 20000000) Screw, Btn, M5 X 0.8 X 16, 8.8, NI, Torx	9
	7	1210381	(10000000- 20000000) Circuitboard, Silpad [Vw, Lower]	1
	8	1209448	(10000000- 20000000) Standoff, Circuitboard, .25	5
▽	9	9014185*	(10000000- 11100269) Kit, Circuitboard, Telem, Ci [T300] (Replaced By Upgrade Kit 9022040*)	1
▲		27964	(10000000- 20000000) Strap, Ground, Static, Disposable	1
▲		130773	(10000000- 20000000) Tie, Cable, Nyl, 11.0l, .14w, 3.0 Max. D	2
▲	10	1227815	(10000000- 11100269) Spacer, Unthreaded, Aluminium	2
▲	11	1227812	(10000000- 11100269) Bracket, Sma Connector	1
▲	12	1247569	(10972936- 11100269) Antenna, Telem [4g, 36"]	2
	12	315724	(10000000- 10972935) Antenna, Telem, 18.0 In [Gprs]	1
		768531	(10000000- 20000000) Sleeve, Heatshrink, 0.38id, 06.0l	1
▲	13	1071235	(10000000- 20000000) Cable [Usb, 2m, A- Male To Mini- B- Male]	1
	14	9014187	(10000000- 11100269) Kit, Telem, Ci [Sim, Intl, T300] (No Longer Available)	1
▽		9015197	(10000000- 10830388) Harness Kit, Amii, Ci [T300] (Kit Needed to Add Battery Charger Communication Functionality to Telemetry Models)	1
▲	15	1075195	(10830389- 11100269) Harness, Ele, Adaptor [T300, Am2]	1
▲	16	222290	(10830389- 11100269) Diode, Ele, Plug	1
	17	1018155	(10000000- 11100269) Screw, Pan, Phl, M5 X 0.80 X 16, Tcut, Ss	2
	18	140916	(10000000- 11100269) Clamp, Cable, Nyl, 0.62d, Nat	2

* Requires Tennant *True* service or an authorized Tennant service provider.

** Before Ordering Screen Kit Confirm Screen Visually Matches Correct Screen Image.

▽ ASSEMBLY

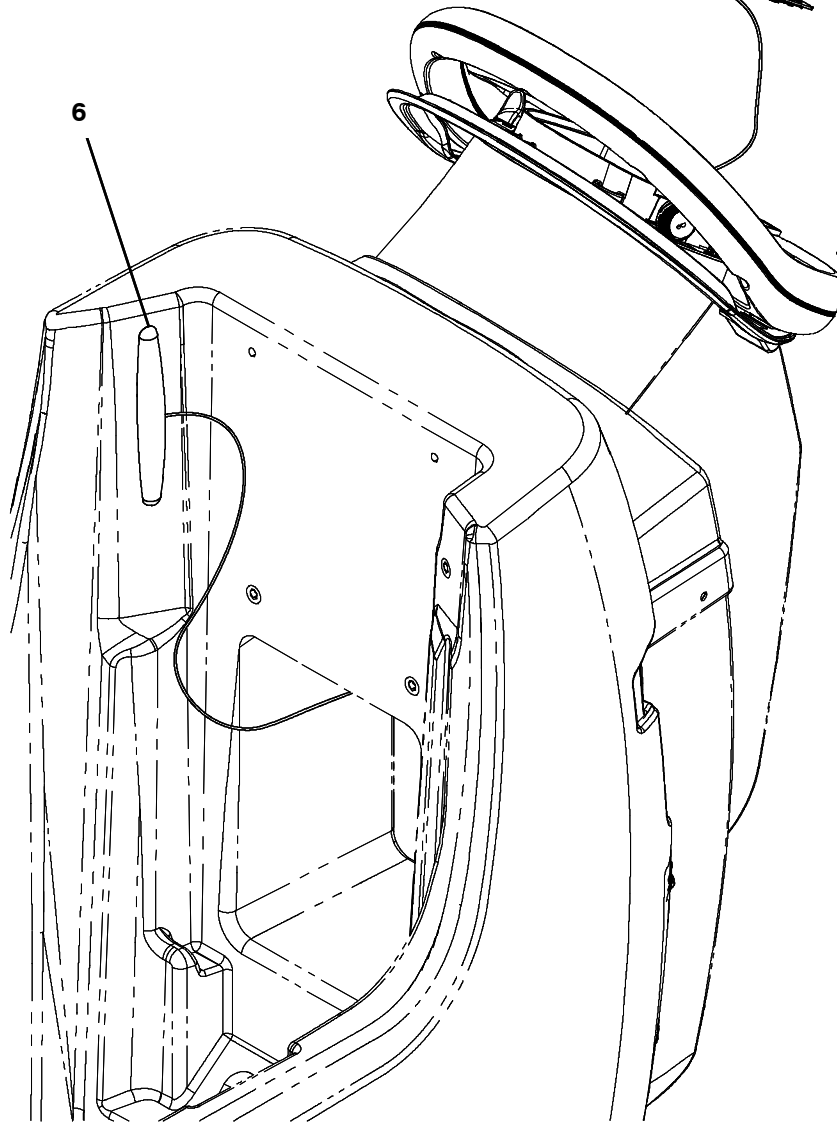
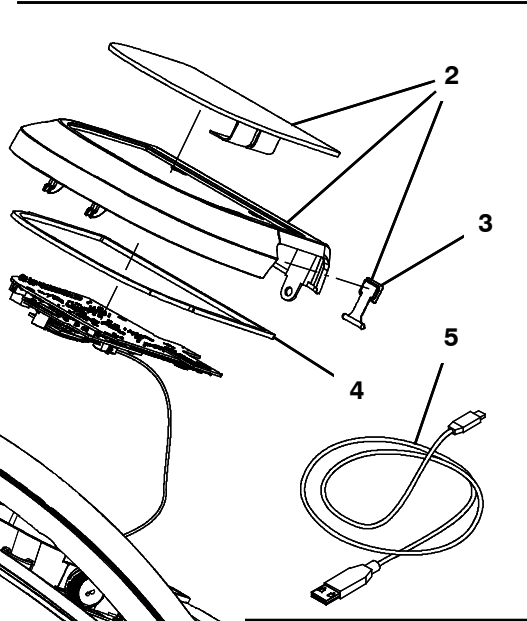
▲ INCLUDED IN ASSEMBLY

CONSOLE PANEL, PRO-MEMBRANE, PUSH, ACTUATED DOWN PRESSURE,
WITH TELEMETRY (S/N 11100270 -)

358051

Membrane Replacement
Order 9021639

Note Visual
Difference
Only When
Illuminated



**CONSOLE PANEL, PRO- MEMBRANE, PUSH, ACTUATED DOWN PRESSURE,
WITH TELEMETRY (S/N 11100270 -)**

	Ref.	Part No.	Serial Number	Description	Qty.
▽	1	9021638*	(11100270- 20000000)	Bezel Kit, Push, Memb, Ci [Prem, Telem]	1
▲▽	2	9021639**	(11100270- 20000000)	Screen Kit, Push, Memb, Premium, Ci	1
▲▲	3	1245824	(MAR2020- 20000000)	Gasket, Console	1
▲▲	4	1205618	(10000000- 20000000)	Cap, Usb	1
▲	5	1071235	(10000000- 20000000)	Cable [Usb, 2m, A- Male To Mini- B- Male]	1
▲	6	1247522	(11100270- 20000000)	Antenna, Telem [4g, 72"]	1

* Requires Tennant *True* service or an authorized Tennant service provider.

** Before Ordering Screen Kit Confirm Screen Visually Matches Correct Screen Image.

▽ ASSEMBLY

▲ INCLUDED IN ASSEMBLY

OPTIONS

CONSOLE PANEL, PRO-MEMBRANE, PUSH, ACTUATED DOWN PRESSURE, WITH TELEMETRY (S/N 10000000 - 11100269)

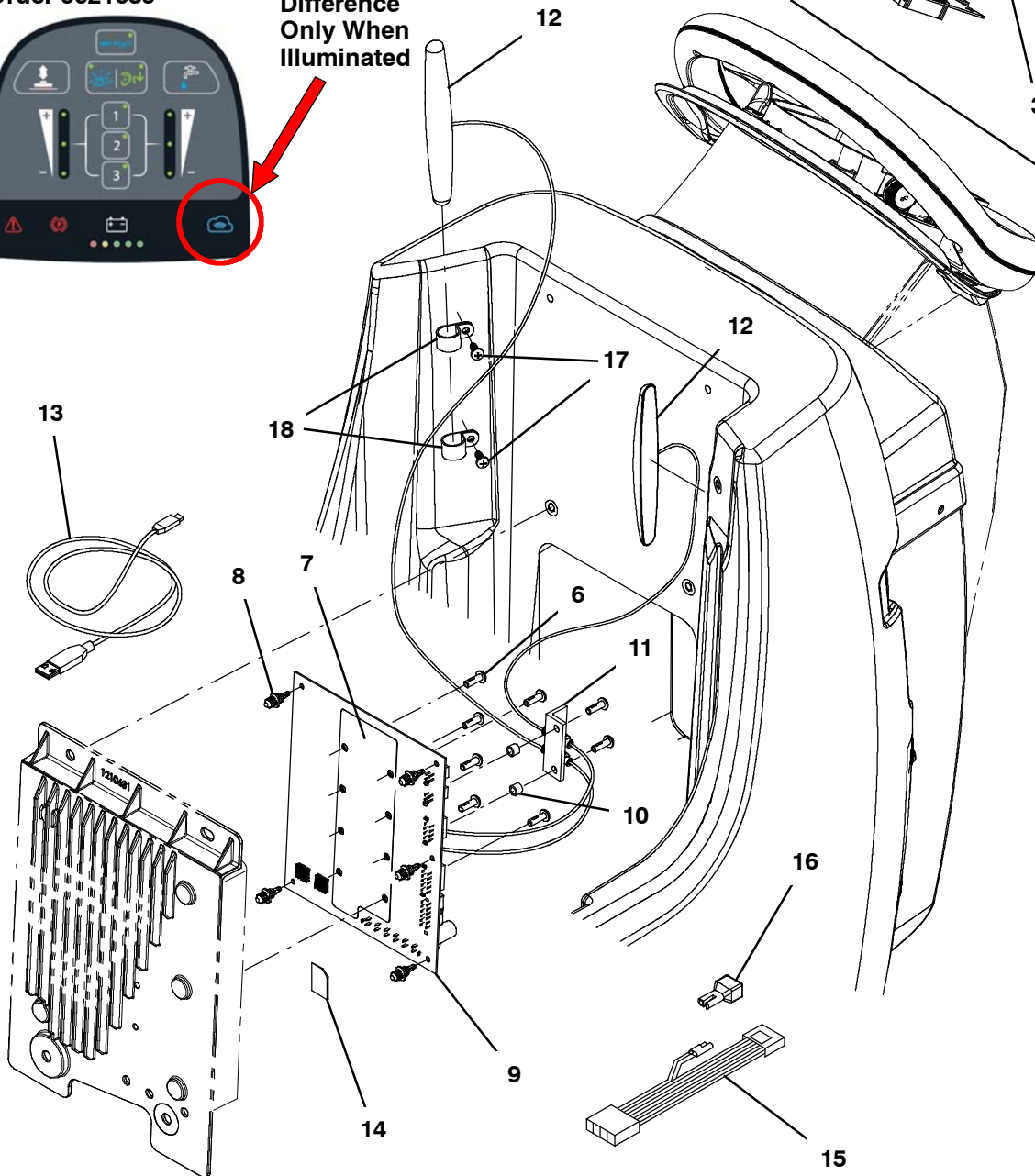
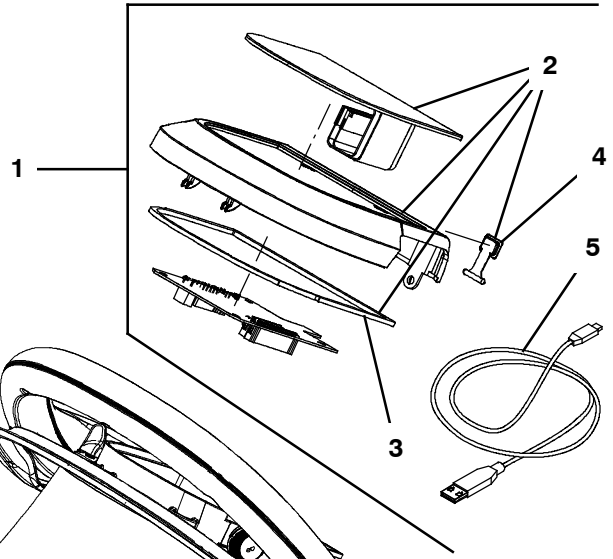
Membrane Replacement
Order 9022992

358052



Membrane Replacement
Order 9021639

Note Visual
Difference
Only When
Illuminated



**CONSOLE PANEL, PRO- MEMBRANE, PUSH, ACTUATED DOWN PRESSURE,
WITH TELEMTRY (S/N 1000000 - 11100269)**

Ref.	Part No.	Serial Number	Description	Qty.
▽	1	9014132*	(10000000- 11100269) Bezel Kit, Push, Pro- Membrane, Ci [T300] (Kit Includes Circuitboard) (Replaced By 9022992*)	1
▲▽	2	9014138**	(10000000- 11100269) Screen Kit, Push, Pro- Membrn, Ci[T300] (Replaced By 9022992*)	1
▲▲	3	1245824	(MAR2020- 20000000) Gasket, Console	1
▲▲	4	1205618	(10000000- 20000000) Cap, Usb	1
▲	5	1071235	(10000000- 20000000) Cable [Usb, 2m, A- Male To Mini- B- Male]	1
	6	1205799	(10000000- 20000000) Screw, Btn, M5 X 0.8 X 16, 8.8, NI, Torx	9
	7	1210381	(10000000- 20000000) Circuitboard, Silpad [Vw, Lower]	1
	8	1209448	(10000000- 20000000) Standoff, Circuitboard, .25	5
▽	9	9014185*	(10000000- 11100269) Kit, Circuitboard, Telem, Ci [T300] (Replaced By Upgrade Kit 9022044*)	1
▲		27964	(10000000- 20000000) Strap, Ground, Static, Disposable	1
▲		130773	(10000000- 20000000) Tie, Cable, Nyl, 11.0l, .14w, 3.0 Max. D	2
▲	10	1227815	(10000000- 11100269) Spacer, Unthreaded, Aluminium	2
▲	11	1227812	(10000000- 11100269) Bracket, Sma Connector	1
▲	12	1247569	(10972936- 11100269) Antenna, Telem [4g, 36"]	2
	12	315724	(10000000- 10972935) Antenna, Telem, 18.0 In [Gprs] (Replaced By 1247569)	1
		768531	(10000000- 20000000) Sleeve, Heatshrink, 0.38id, 06.0l	1
▲	13	1071235	(10000000- 20000000) Cable [Usb, 2m, A- Male To Mini- B- Male]	1
	14	9014187	(10000000- 11100269) Kit, Telem, Ci [Sim, Intl, T300] (No Longer Available)	1
▽		9015197	(10000000- 10830388) Harness Kit, Amii, Ci [T300] (Kit Needed to Add Battery Charger Communication Functionality to Telemetry Models)	1
▲	15	1075195	(10830389- 11100269) Harness, Ele, Adaptor [T300, Am2]	1
▲	16	222290	(10830389- 11100269) Diode, Ele, Plug	1
	17	1018155	(10000000- 11100269) Screw, Pan, Phl, M5 X 0.80 X 16, Tcut,Ss	2
	18	140916	(10000000- 11100269) Clamp, Cable, Nyl, 0.62d, Nat	2

* Requires Tennant *True* service or an authorized Tennant service provider.

** Before Ordering Screen Kit Confirm Screen Visually Matches Correct Screen Image.

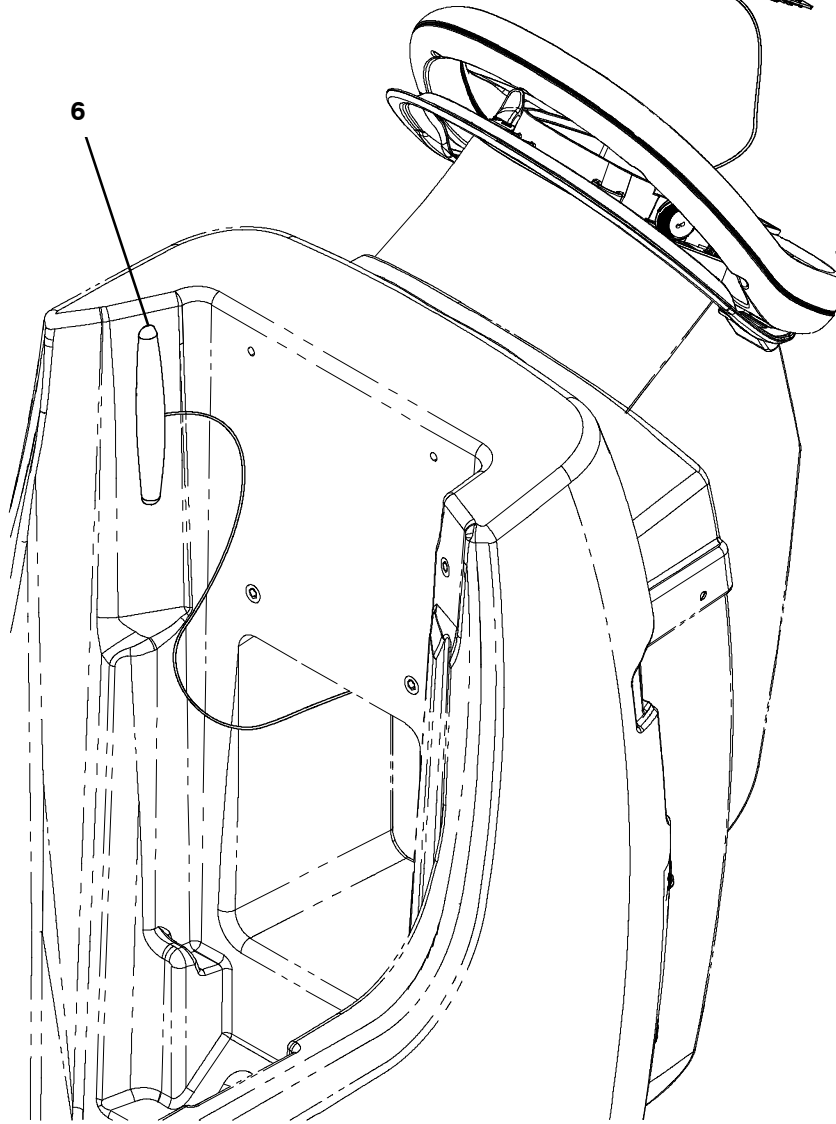
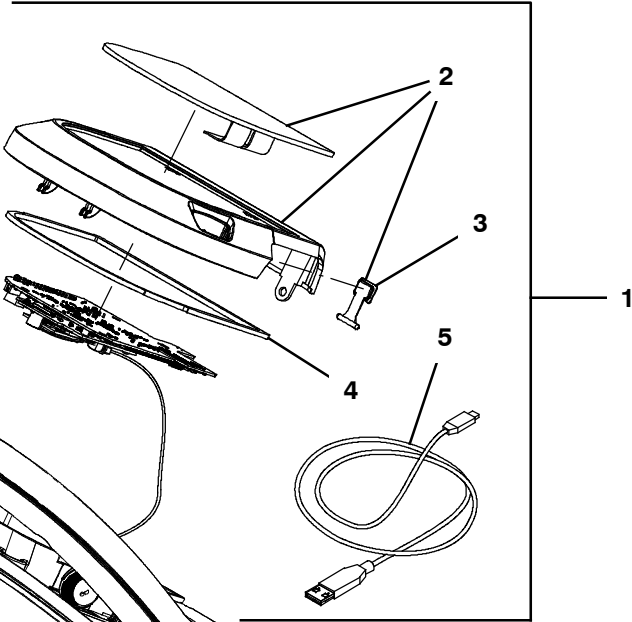
▽ ASSEMBLY

▲ INCLUDED IN ASSEMBLY

CONSOLE PANEL, MEMBRANE, PROPEL, MANUAL DOWN PRESSURE,
WITH TELEMETRY (S/N 11100270 -)

358039

Membrane Replacement
Order 9021636



**CONSOLE PANEL, MEMBRANE, PROPEL, MANUAL DOWN PRESSURE,
WITH TELEMETRY (S/N 11100270 -)**

	Ref.	Part No.	Serial Number	Description	Qty.
▽	1	9021635*	(11100270- 20000000)	Bezel Kit, Propel, Memb, Ci [Std, Telem]	1
▲▽	2	9021636**	(11100270- 20000000)	Screen Kit, Propel, Memb, Std, Ci	1
▲▲	3	1205618	(10000000- 20000000)	Cap, Usb	1
▲▲	4	1245824	(MAR2020- 20000000)	Gasket, Console	1
▲	5	1071235	(10000000- 20000000)	Cable [Usb, 2m, A- Male To Mini- B- Male]	1
▲	6	1247522	(11100270- 20000000)	Antenna, Telem [4g, 72"]	1

* Requires Tennant *True* service or an authorized Tennant service provider.

** Before Ordering Screen Kit Confirm Screen Visually Matches Correct Screen Image.

▽ ASSEMBLY

▲ INCLUDED IN ASSEMBLY

OPTIONS

CONSOLE PANEL, MEMBRANE, PROPEL, MANUAL DOWN PRESSURE, WITH TELEMETRY (S/N 10000000 - 11100269)

358040

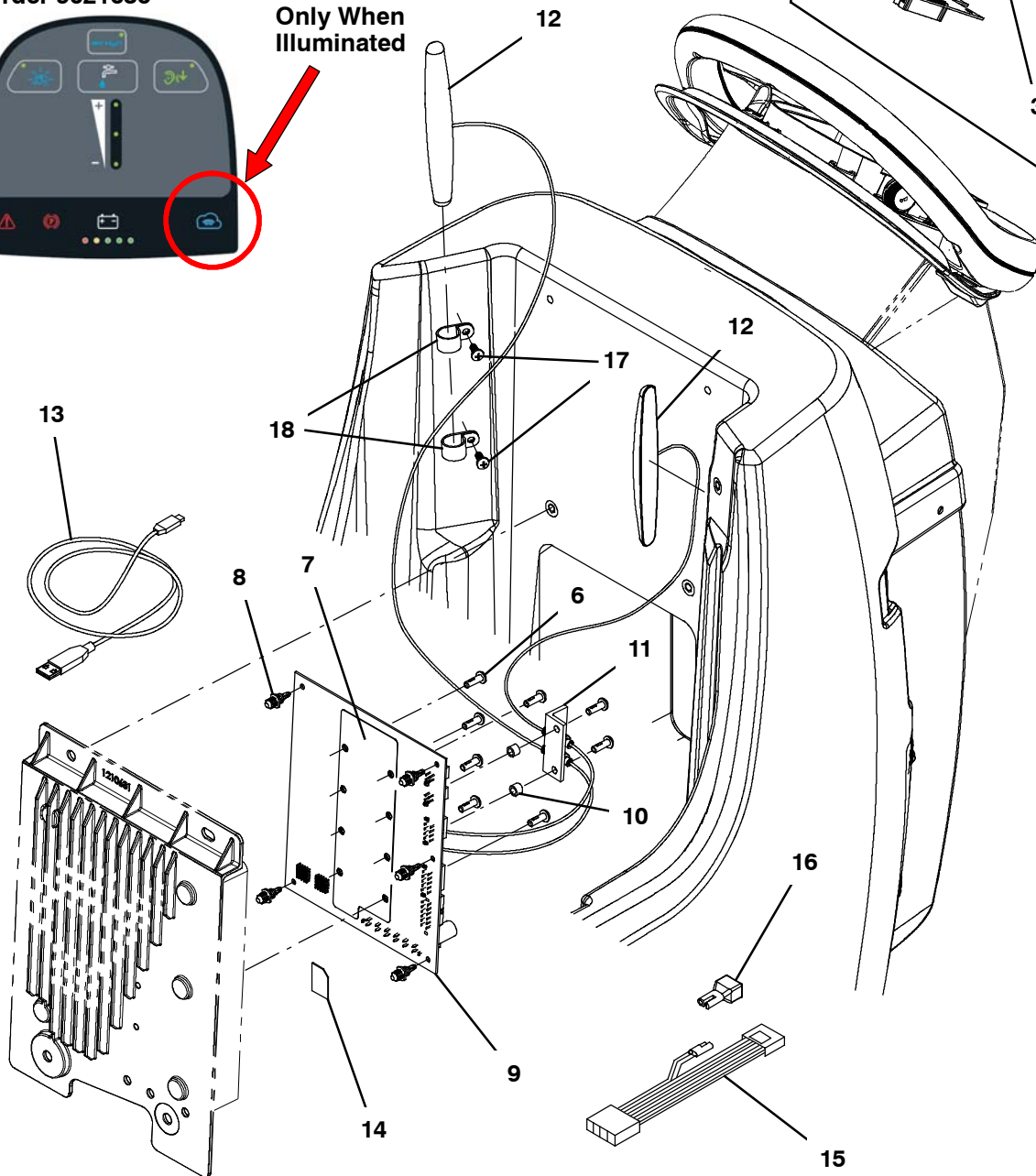
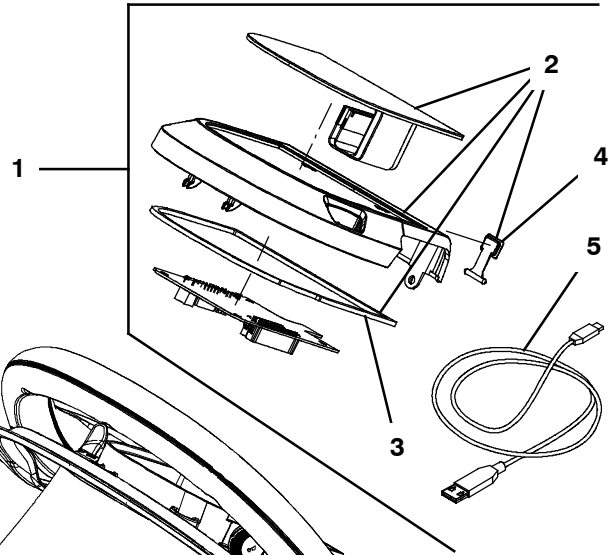
Membrane Replacement
Order 9022991



Membrane Replacement
Order 9021636



Note Visual
Difference
Only When
Illuminated



**CONSOLE PANEL, MEMBRANE, PROPEL, MANUAL DOWN PRESSURE,
WITH TELEMETRY (S/N 1000000 - 11100269)**

Ref.	Part No.	Serial Number	Description	Qty.
∇	1	9014815*	(10000000- 11100269) Bezel Kit, Propel, Membrane,Std,Ci[T300] (Kit Includes Circuitboard) (Replaced By 9022991*)	1
▲∇	2	9014817**	(10000000- 11100269) Screen Kit, Propel,Membrane,Std,Ci[T300] (Replaced By 9022991*)	1
▲▲	3	1205618	(10000000- 20000000) Cap, Usb	1
▲▲	4	1245824	(MAR2020- 20000000) Gasket, Console	1
▲	5	1071235	(10000000- 20000000) Cable [Usb, 2m, A- Male To Mini- B- Male]	1
	6	1205799	(10000000- 20000000) Screw, Btn, M5 X 0.8 X 16, 8.8, NI, Torx	9
	7	1210381	(10000000- 20000000) Circuitboard, Silpad [Vw, Lower]	1
	8	1209448	(10000000- 20000000) Standoff, Circuitboard, .25	5
∇	9	9014185*	(10000000- 11100269) Kit, Circuitboard, Telem, Ci [T300] (Replaced By Upgrade Kit 9022042*)	1
▲		27964	(10000000- 20000000) Strap, Ground, Static, Disposable	1
▲		130773	(10000000- 20000000) Tie, Cable, Nyl, 11.0l, .14w, 3.0 Max. D	2
▲	10	1227815	(10000000- 11100269) Spacer, Unthreaded, Aluminium	2
▲	11	1227812	(10000000- 11100269) Bracket, Sma Connector	1
▲	12	1247569	(10972936- 11100269) Antenna, Telem [4g, 36"]	2
	12	315724	(10000000- 10972935) Antenna, Telem, 18.0 In [Gprs] (Replaced By 1247569)	1
		768531	(10000000- 20000000) Sleeve, Heatshrink, 0.38id, 06.0l	1
▲	13	1071235	(10000000- 20000000) Cable [Usb, 2m, A- Male To Mini- B- Male]	1
	14	9014187	(10000000- 11100269) Kit, Telem, Ci [Sim, Intl, T300] (No Longer Available)	1
∇		9015197	(10000000- 10830388) Harness Kit, Amii, Ci [T300] (Kit Needed to Add Battery Charger Communication Functionality to Telemetry Models)	1
▲	15	1075195	(10830389- 11100269) Harness, Ele, Adaptor [T300, Am2]	1
▲	16	222290	(10830389- 11100269) Diode, Ele, Plug	1
	17	1018155	(10000000- 20000000) Screw, Pan, Phl, M5 X 0.80 X 16, Tcut,Ss	2
	18	140916	(10000000- 20000000) Clamp, Cable, Nyl, 0.62d, Nat	2

* Requires Tennant *True* service or an authorized Tennant service provider.

** Before Ordering Screen Kit Confirm Screen Visually Matches Correct Screen Image.

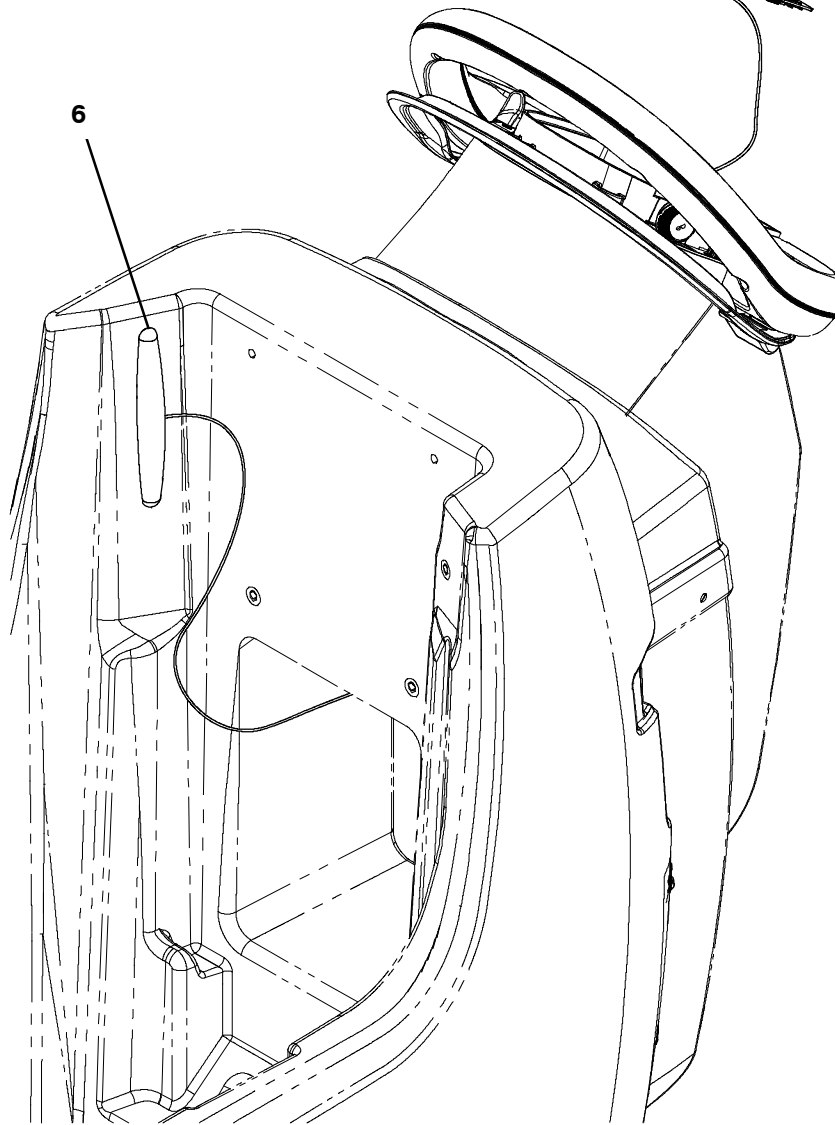
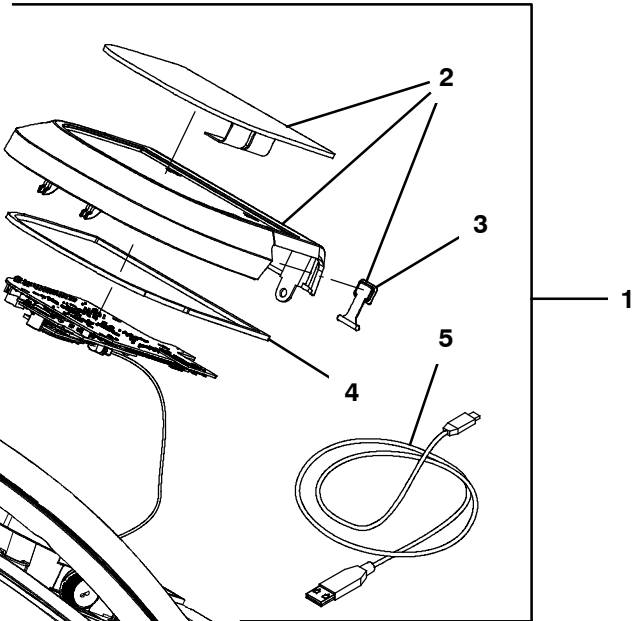
∇ ASSEMBLY

▲ INCLUDED IN ASSEMBLY

CONSOLE PANEL, MEMBRANE, PUSH, MANUAL DOWN PRESSURE,
WITH TELEMETRY (S/N 11100270 -)

358051

Membrane Replacement
Order 9021642



**CONSOLE PANEL, MEMBRANE, PUSH, MANUAL DOWN PRESSURE,
WITH TELEMETRY (S/N 11100270 -)**

	Ref.	Part No.	Serial Number	Description	Qty.
▽	1	9021642*	(11100270- 20000000)	Bezel Kit, Push, Memb, Ci [Std, Telem]	1
▲▽	2	9021643**	(11100270- 20000000)	Screen Kit, Push, Memb, Std, Ci	1
▲▲	3	1205618	(10000000- 20000000)	Cap, Usb	1
▲▲	4	1245824	(MAR2020- 20000000)	Gasket, Console	1
▲	5	1071235	(10000000- 20000000)	Cable [Usb, 2m, A- Male To Mini- B- Male]	1
▲	6	1247522	(11100270- 20000000)	Antenna, Telem [4g, 72"]	1

* Requires Tennant *True* service or an authorized Tennant service provider.

** Before Ordering Screen Kit Confirm Screen Visually Matches Correct Screen Image.

▽ ASSEMBLY

▲ INCLUDED IN ASSEMBLY

OPTIONS

CONSOLE PANEL, MEMBRANE, PUSH, MANUAL DOWN PRESSURE, WITH TELEMETRY (S/N 10000000 - 11100269)

358052

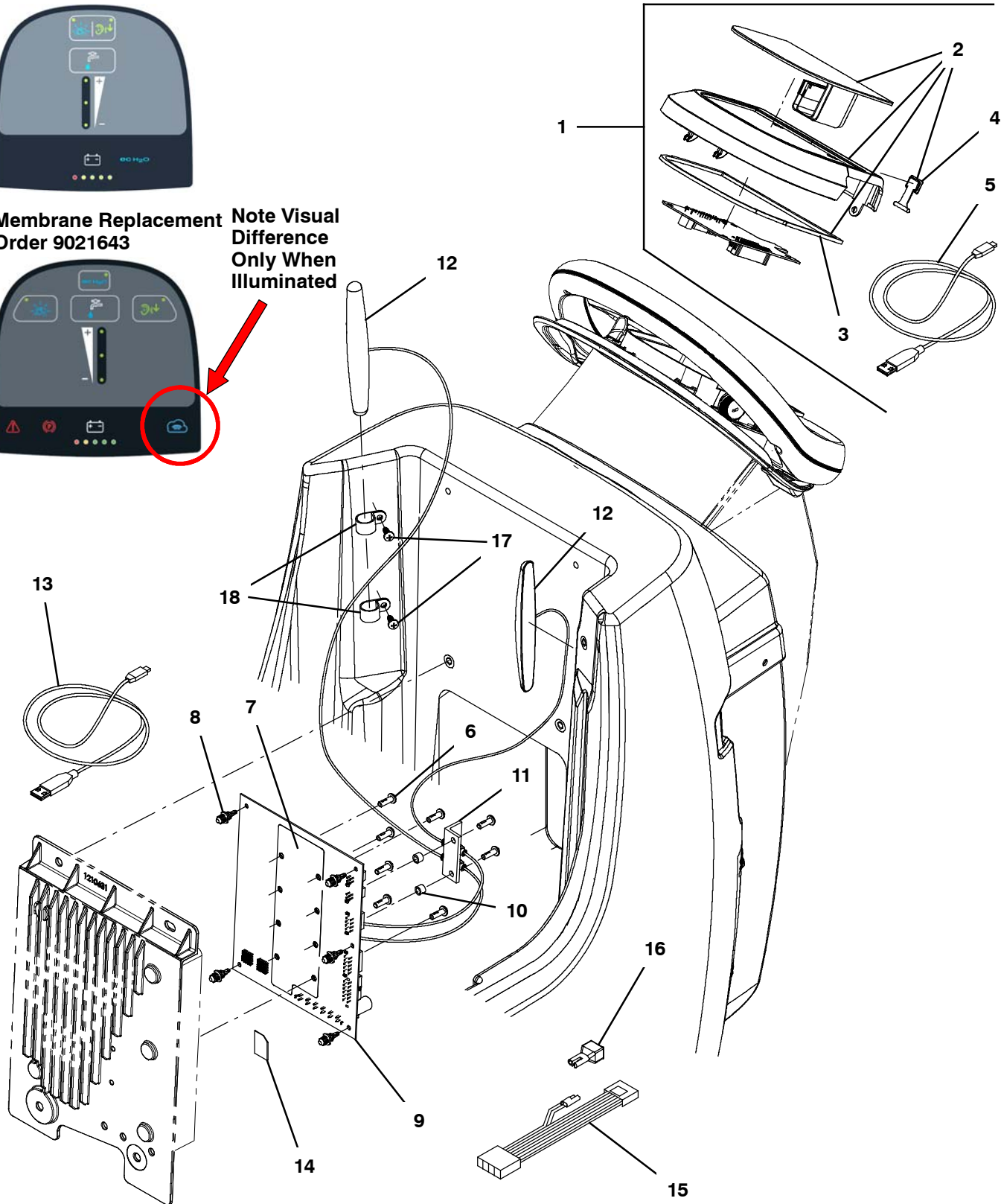
Membrane Replacement
Order 9022993



Membrane Replacement
Order 9021643



Note Visual
Difference
Only When
Illuminated



**CONSOLE PANEL, MEMBRANE, PUSH, MANUAL DOWN PRESSURE,
WITH TELEMETRY (S/N 10000000 - 11100269)**

Ref.	Part No.	Serial Number	Description	Qty.
▽	1	9014814*	(10000000- 11100269) Bezel Kit, Push, Membrane, Std, Ci[T300] (Kit Includes Circuitboard) (Replaced By 9022993*)	1
▲▽	2	9014816**	(10000000- 11100269) Screen Kit, Push, Membrane, Std,Ci[T300] (Replaced By 9022993*)	1
▲▲	3	1205618	(10000000- 20000000) Cap, Usb	1
▲▲	4	1245824	(MAR2020- 20000000) Gasket, Console	1
▲	5	1071235	(10000000- 20000000) Cable [Usb, 2m, A- Male To Mini- B- Male]	1
	6	1205799	(10000000- 20000000) Screw, Btn, M5 X 0.8 X 16, 8.8, NI, Torx	9
	7	1210381	(10000000- 20000000) Circuitboard, Silpad [Vw, Lower]	1
	8	1209448	(10000000- 20000000) Standoff, Circuitboard, .25	5
▽	9	9014185*	(10000000- 11100269) Kit, Circuitboard, Telem, Ci [T300] (Replaced By Upgrade Kit 9022046*)	1
▲		27964	(10000000- 20000000) Strap, Ground, Static, Disposable	1
▲		130773	(10000000- 20000000) Tie, Cable, Nyl, 11.0l, .14w, 3.0 Max. D	2
▲	10	1227815	(10000000- 11100269) Spacer, Unthreaded, Aluminium	2
▲	11	1227812	(10000000- 11100269) Bracket, Sma Connector	1
▲	12	1247569	(10972936- 11100269) Antenna, Telem [4g, 36"]	2
	12	315724	(10000000- 10972935) Antenna, Telem, 18.0 In [Gprs] (Replaced By 1247569)	1
		768531	(10000000- 20000000) Sleeve, Heatshrink, 0.38id, 06.0l	1
▲	13	1071235	(10000000- 20000000) Cable [Usb, 2m, A- Male To Mini- B- Male]	1
	14	9014187	(10000000- 11100269) Kit, Telem, Ci [Sim, Intl, T300] (No Longer Available)	1
▽		9015197	(10000000- 10830388) Harness Kit, Amii, Ci [T300] (Kit Needed to Add Battery Charger Communication Functionality to Telemetry Models)	1
▲	15	1075195	(10830389- 11100269) Harness, Ele, Adaptor [T300, Am2]	1
▲	16	222290	(10830389- 11100269) Diode, Ele, Plug	1
	17	1018155	(10000000- 11100269) Screw, Pan, Phl, M5 X 0.80 X 16, Tcut, Ss	2
	18	140916	(10000000- 11100269) Clamp, Cable, Nyl, 0.62d, Nat	2

* Requires Tennant *True* service or an authorized Tennant service provider.

** Before Ordering Screen Kit Confirm Screen Visually Matches Correct Screen Image.

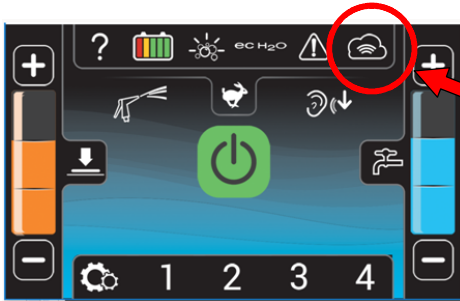
▽ ASSEMBLY

▲ INCLUDED IN ASSEMBLY

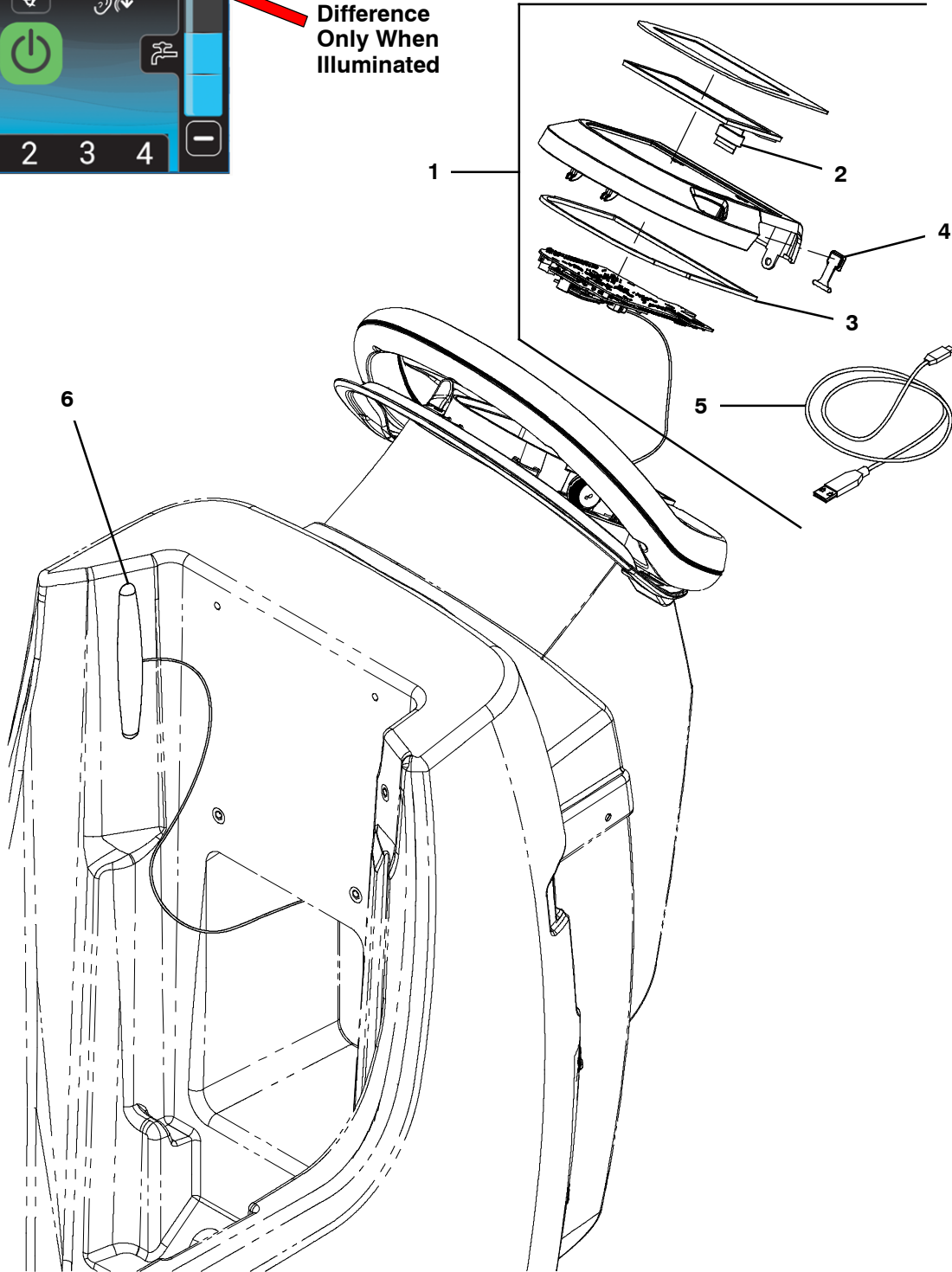
CONSOLE PANEL, PRO-PANEL (LCD), PROPEL, WITH TELEMETRY
(S/N 11100270 -)

358053

Bezel Replacement Order 9021645



Note Visual
Difference
Only When
Illuminated



**CONSOLE PANEL, PRO- PANEL (LCD), PROPEL, WITH TELEMTRY
(S/N 11100270 -)**

	Ref.	Part No.	Serial Number	Description	Qty.
▽	1	9021645*	(11100270- 20000000)	Bezel Kit, Propel, Pro- Panl, Telem, Ci	1
▲	2	1233769	(10000000- 20000000)	Inductor, Ribbon Cable	1
▲	3	1245824	(MAR2020- 20000000)	Gasket, Console	1
▲	4	1205618	(10000000- 20000000)	Cap, Usb	1
▲	5	1071235	(10000000- 20000000)	Cable [Usb, 2m, A- Male To Mini- B- Male]	1
▲	6	1247522	(11100270- 20000000)	Antenna, Telem [4g, 72"]	1

*** Requires Tennant *True* service or an authorized Tennant service provider.**

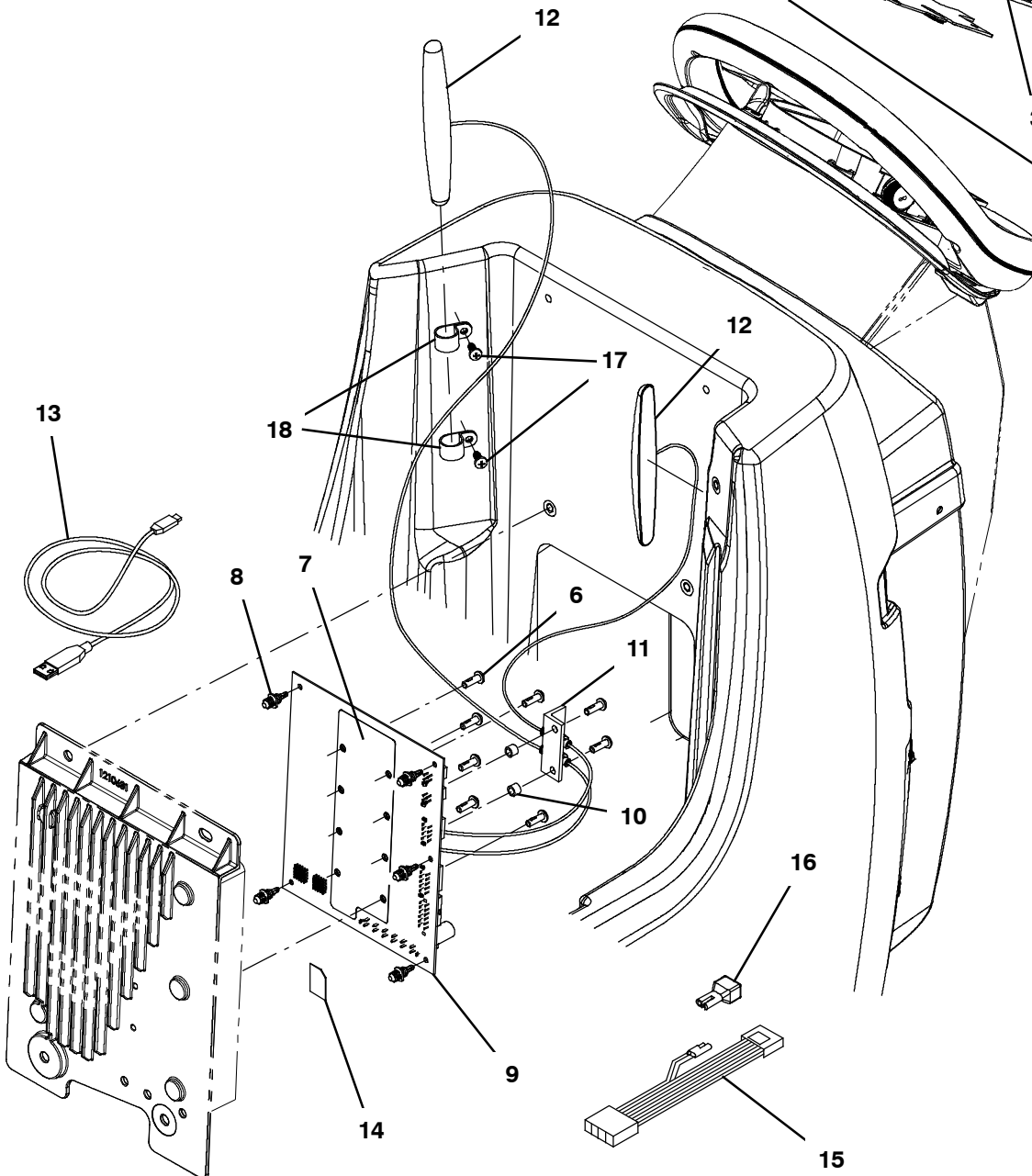
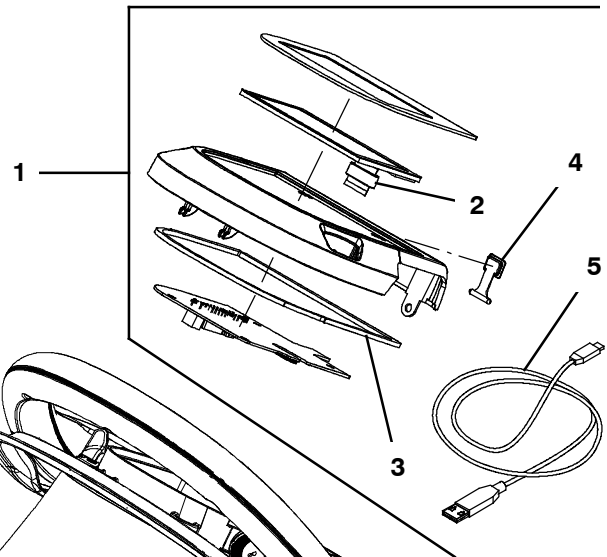
▽ ASSEMBLY

▲ INCLUDED IN ASSEMBLY

CONSOLE PANEL, PRO-PANEL (LCD), PROPEL, WITH TELEMETRY
(S/N 10000000 - 11100269)

358054

Bezel Replacement Order 9022995



**CONSOLE PANEL, PRO-PANEL (LCD), PROPEL, WITH TELEMETRY
(S/N 10000000 - 11100269)**

Ref.	Part No.	Serial Number	Description	Qty.
▽	1	9014135*	(10000000- 11100269) Bezel Kit, Propel, Lcd Pro- Pnl, Ci (Also Requires Ferrite) (Replaced By 9022995*)	1
▲	2	1233769	(10000000- 20000000) Inductor, Ribbon Cable	1
▲	3	1245824	(MAR2020- 20000000) Gasket, Console	1
▲	4	1205618	(10000000- 20000000) Cap, Usb	1
▲	5	1071235	(10000000- 20000000) Cable [Usb, 2m, A- Male To Mini- B- Male]	1
	6	1205799	(10000000- 20000000) Screw, Btn, M5 X 0.8 X 16, 8.8, NI, Torx	9
	7	1210381	(10000000- 20000000) Circuitboard, Silpad [Vw, Lower]	1
	8	1209448	(10000000- 20000000) Standoff, Circuitboard, .25	5
▽	9	9014185*	(10000000- 11100269) Kit, Circuitboard, Telem, Ci [T300] (Replaced By Upgrade Kit 9022048*)	1
▲		27964	(10000000- 20000000) Strap, Ground, Static, Disposable	1
▲		130773	(10000000- 20000000) Tie, Cable, Nyl, 11.0l, .14w, 3.0 Max. D	2
▲	10	1227815	(10000000- 11100269) Spacer, Unthreaded, Aluminium	2
▲	11	1227812	(10000000- 11100269) Bracket, Sma Connector	1
▲	12	1247569	(10972936- 11100269) Antenna, Telem [4g, 36"]	2
	12	315724	(10000000- 10972935) Antenna, Telem, 18.0 In [Gprs] (Replaced By 1247569)	1
		768531	(10000000- 20000000) Sleeve, Heatshrink, 0.38id, 06.0l	1
▲	13	1071235	(10000000- 20000000) Cable [Usb, 2m, A- Male To Mini- B- Male]	1
	14	9014187	(10000000- 11100269) Kit, Telem, Ci [Sim, Intl, T300] (No Longer Available)	1
▽		9015197	(10000000- 10830388) Harness Kit, Amii, Ci [T300] (Kit Needed to Add Battery Charger Communication Functionality to Telemetry Models)	1
▲	15	1075195	(10830389- 11100269) Harness, Ele, Adaptor [T300, Am2]	1
▲	16	222290	(10830389- 11100269) Diode, Ele, Plug	1
	17	1018155	(10000000- 11100269) Screw, Pan, Phl, M5 X 0.80 X 16, Tcut, Ss	2
	18	140916	(10000000- 11100269) Clamp, Cable, Nyl, 0.62d, Nat	2

*** Requires Tennant *True* service or an authorized Tennant service provider.**

▽ ASSEMBLY

▲ INCLUDED IN ASSEMBLY

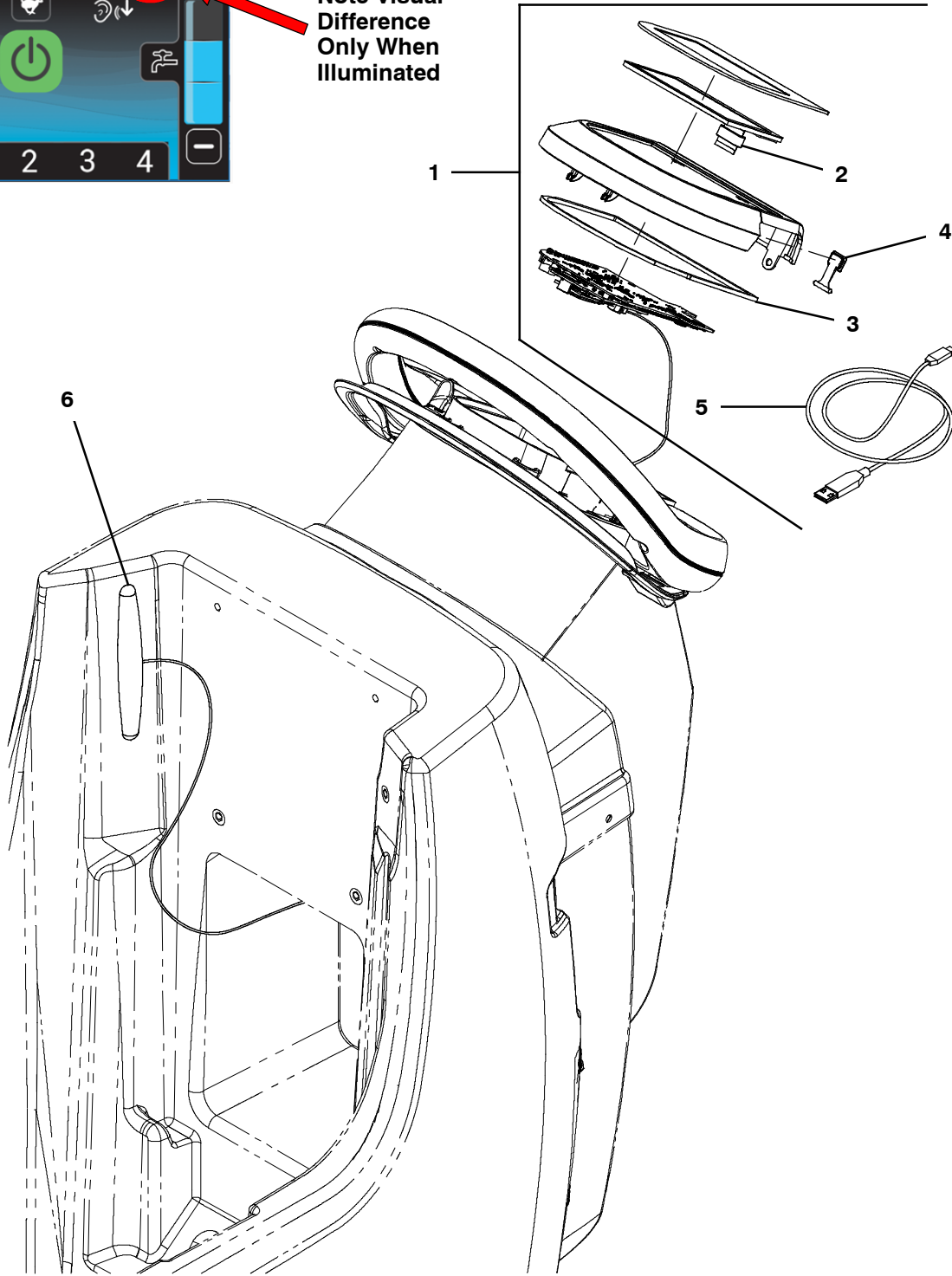
CONSOLE PANEL, PRO-PANEL (LCD), PUSH, WITH TELEMETRY
(S/N 11100270 -)

358055

Bezel Replacement Order 9021647



Note Visual
Difference
Only When
Illuminated



**CONSOLE PANEL, PRO- PANEL (LCD), PUSH, WITH TELEMETRY
(S/N 11100270 -)**

	Ref.	Part No.	Serial Number	Description	Qty.
▽	1	9021647*	(11100270- 20000000)	Bezel Kit, Push, Pro- Panel, Telem, Ci	1
▲	2	1233769	(10000000- 20000000)	Inductor, Ribbon Cable	1
▲	3	1245824	(MAR2020- 20000000)	Gasket, Console	1
▲	4	1205618	(10000000- 20000000)	Cap, Usb	1
▲	5	1071235	(10000000- 20000000)	Cable [Usb, 2m, A- Male To Mini- B- Male]	1
▲	6	1247522	(11100270- 20000000)	Antenna, Telem [4g, 72"]	1

*** Requires Tennant *True* service or an authorized Tennant service provider.**

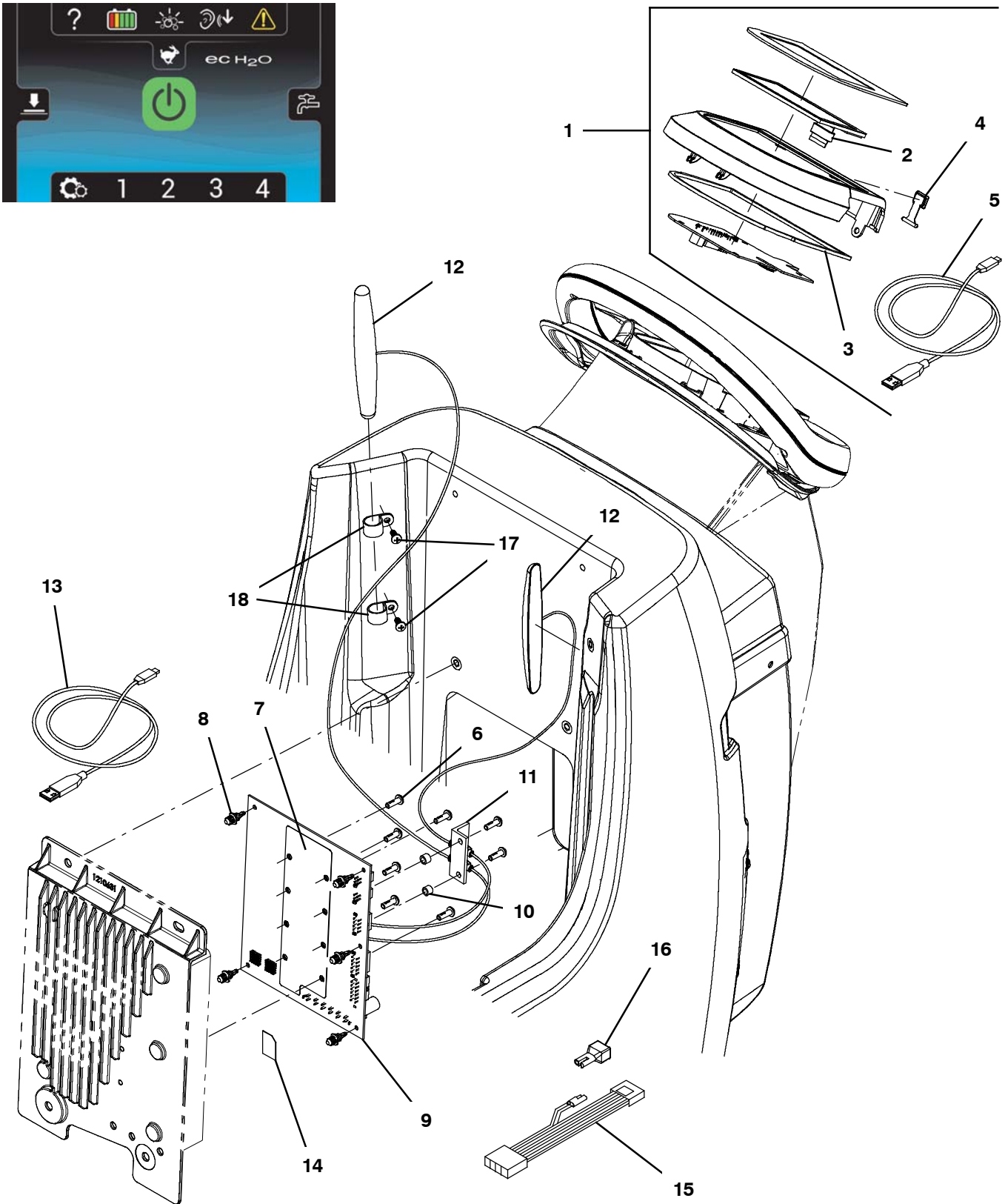
▽ ASSEMBLY

▲ INCLUDED IN ASSEMBLY

CONSOLE PANEL, PRO-PANEL (LCD), PUSH, WITH TELEMETRY
(S/N 10000000 - 11100269)

Bezel Replacement Order 9022997

358056



**CONSOLE PANEL, PRO-PANEL (LCD), PUSH, WITH TELEMETRY
(S/N 10000000 - 11100269)**

Ref.	Part No.	Serial Number	Description	Qty.
▽	1	9014134*	(10000000- 11100269) Bezel Kit, Push, Lcd Pro- Panl, Ci [T300] (Kit Includes Circuitboard) (Replaced By 9022997*)	1
▲	2	1233769	(10000000- 20000000) Inductor, Ribbon Cable	1
▲	3	1245824	(MAR2020- 20000000) Gasket, Console	1
▲	4	1205618	(10000000- 20000000) Cap, Usb	1
▲	5	1071235	(10000000- 20000000) Cable [Usb, 2m, A- Male To Mini- B- Male]	1
	6	1205799	(10000000- 20000000) Screw, Btn, M5 X 0.8 X 16, 8.8, NI, Torx	9
	7	1210381	(10000000- 20000000) Circuitboard, Silpad [Vw, Lower]	1
	8	1209448	(10000000- 20000000) Standoff, Circuitboard, .25	5
▽	9	9014185*	(10000000- 11100269) Kit, Circuitboard, Telem, Ci [T300] (Replaced By Upgrade Kit 9022050*)	1
▲		27964	(10000000- 20000000) Strap, Ground, Static, Disposable	1
▲		130773	(10000000- 20000000) Tie, Cable, Nyl, 11.0l, .14w, 3.0 Max. D	2
▲	10	1227815	(10000000- 11100269) Spacer, Unthreaded, Aluminium	2
▲	11	1227812	(10000000- 11100269) Bracket, Sma Connector	1
▲	12	1247569	(10972936- 11100269) Antenna, Telem [4g, 36"]	2
	12	315724	(10000000- 10972935) Antenna, Telem, 18.0 In [Gprs] (Replaced By 1247569)	1
		768531	(10000000- 20000000) Sleeve, Heatshrink, 0.38id, 06.0l	1
▲	13	1071235	(10000000- 20000000) Cable [Usb, 2m, A- Male To Mini- B- Male]	1
	14	9014187	(10000000- 11100269) Kit, Telem, Ci [Sim, Intl, T300] (No Longer Available)	1
▽		9015197	(10000000- 10830388) Harness Kit, Amii, Ci [T300] (Kit Needed to Add Battery Charger Communication Functionality to Telemetry Models)	1
▲	15	1075195	(10830389- 11100269) Harness, Ele, Adaptor [T300, Am2]	1
▲	16	222290	(10830389- 11100269) Diode, Ele, Plug	1
	17	1018155	(10000000- 11100269) Screw, Pan, Phl, M5 X 0.80 X 16, Tcut, Ss	2
	18	140916	(10000000- 11100269) Clamp, Cable, Nyl, 0.62d, Nat	2

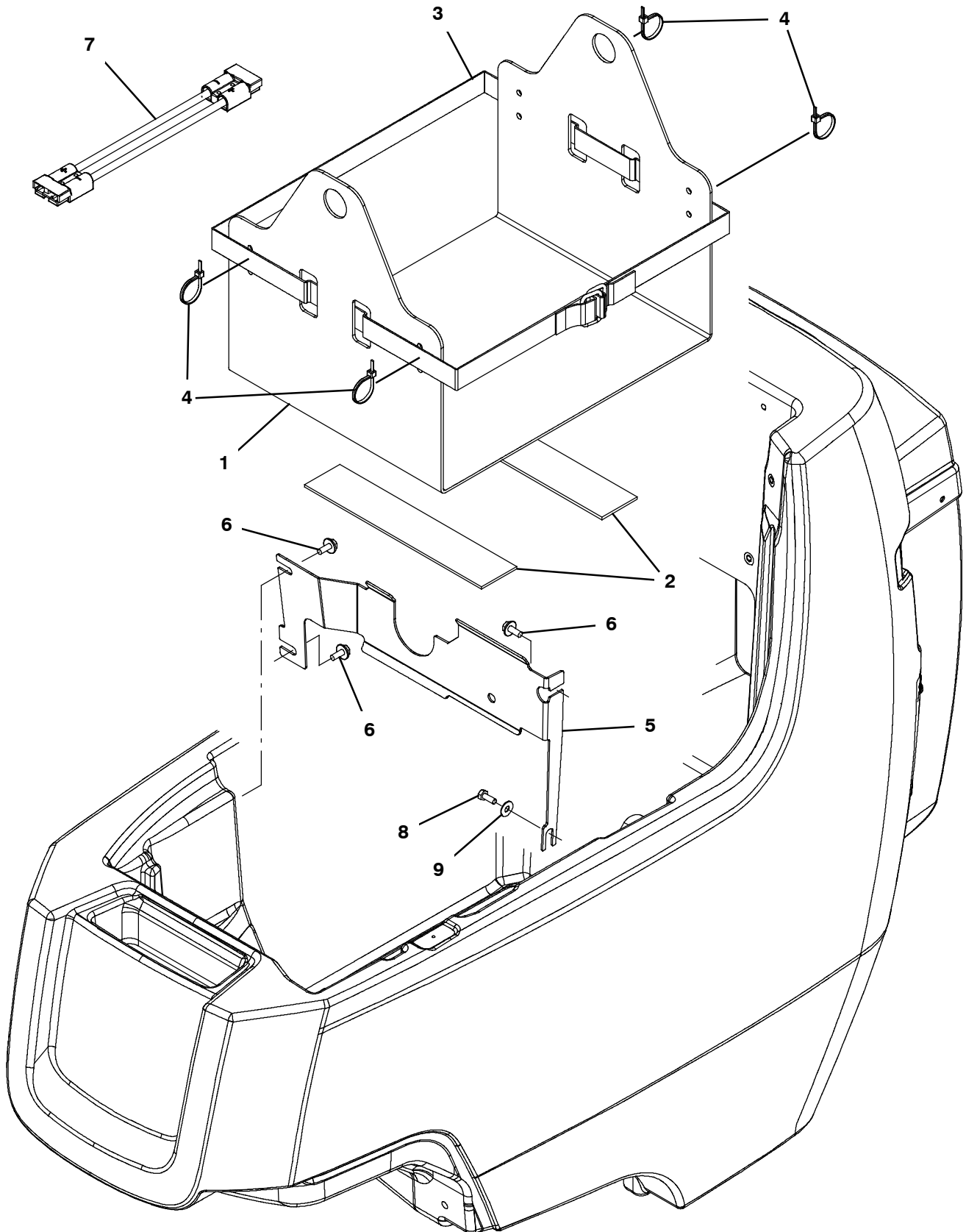
*** Requires Tennant *True* service or an authorized Tennant service provider.**

▽ ASSEMBLY

▲ INCLUDED IN ASSEMBLY

BATTERY LIFT OUT BOX KIT

355306



BATTERY LIFT OUT BOX KIT

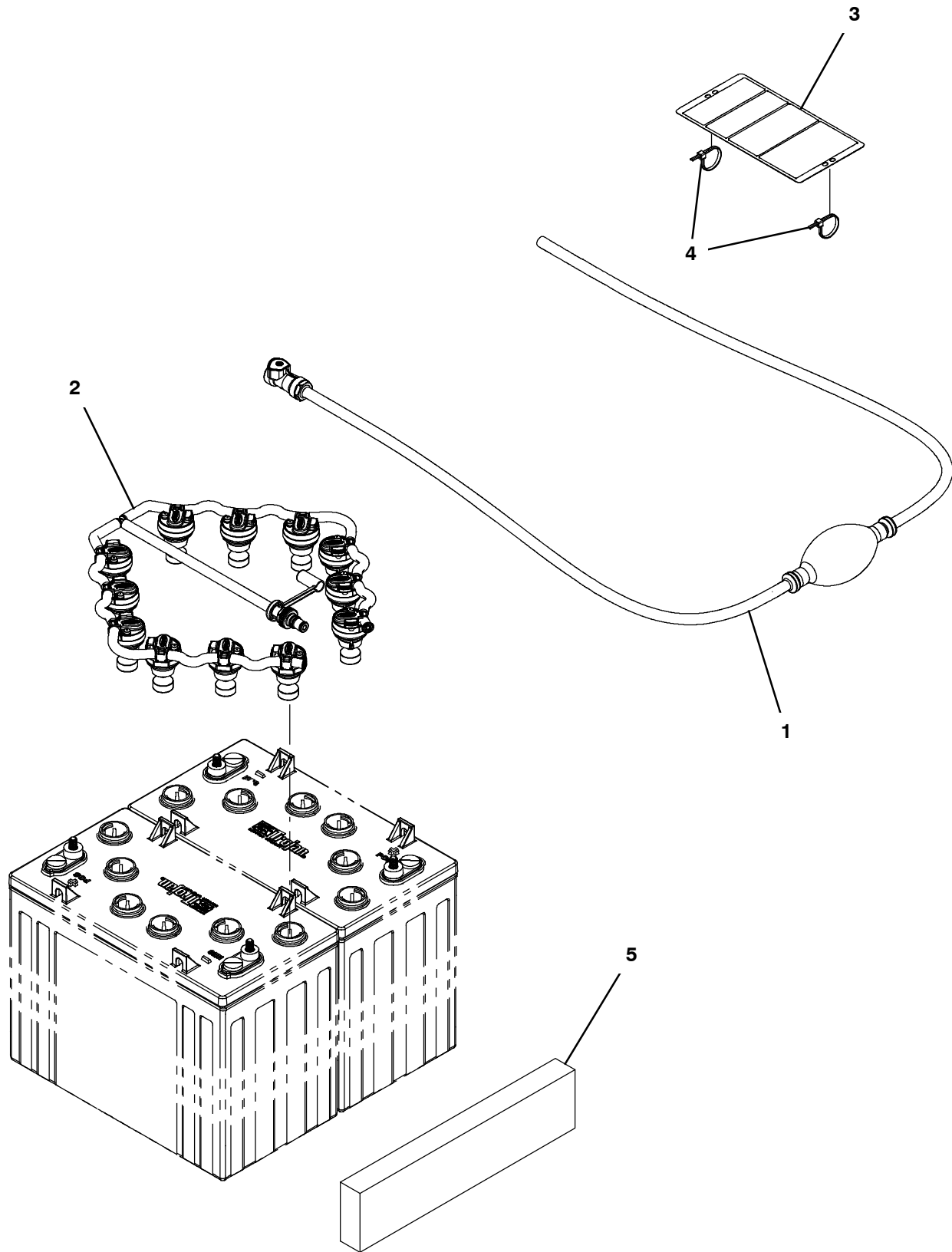
	Ref.	Part No.	Serial Number	Description	Qty.
▽		9014173	(10000000- 20000000)	Box Kit, Lift, Batt, Am [T300/E/Ss300] (Additional Battery Cable Kit May Also Be Required)	1
▲	1	1207816	(10000000- 20000000)	Box, Battery [Lift- Out]	1
▲	2	1212689	(10000000- 20000000)	Pad, Box, Battery	2
▲	3	1208697	(10000000- 20000000)	Strap, Pyp, Buckle, Friction	1
▲	4	130773	(10000000- 20000000)	Tie, Cable, Nyl, 11.0l, .14w, 3.0 Max. D	4
▲	5	1214509	(10000000- 20000000)	Bracket, Deflector, Battery	1
▲	6	1034731	(10000000- 20000000)	Screw, Hex, M6 X 1.00 X 16, Sems, Ss	4
▲	7	1074798	(10000000- 20000000)	Cable, Adaptor, Batt [Sb120- Sb50, Red] (Off- Board Charger Models Only)	1
▲	8	11329	(10000000- 20000000)	Screw, Hex, M6 X 1.00 X 16, NI, Ss	1
▲	9	01684	(10000000- 20000000)	Washer, Flat, 0.27b 0.69d .05, Ss	1

▽ ASSEMBLY

▲ INCLUDED IN ASSEMBLY

MANUAL BATTERY WATERING SYSTEM (S/N 11028698 -)

355837



MANUAL BATTERY WATERING SYSTEM (S/N 11028698 -)

	Ref.	Part No.	Serial Number	Description	Qty.
▽		9021730*	(11028698- 20000000)	Fill Kit, D, 2 Btry, Mnl, Ci [Trojan]	1
▲	1	1236295	(11028698- 20000000)	Pump, Hand, Battery	1
▲	2	1257356	(11028698- 20000000)	Manifold Assy, Water, D, 2 Btry [Trojan]	1
▲	3	1253250	(11028698- 20000000)	Label, Tag, Battery [Bwt Watering]	1
▲	4	130773	(10000000- 20000000)	Tie, Cable, Nyl, 11.0l, .14w, 3.0 Max. D	2
▲	5	630375	(10000000- 20000000)	Spacer, Battery, Foam, 1.25 X 3.3 X 13.7	1

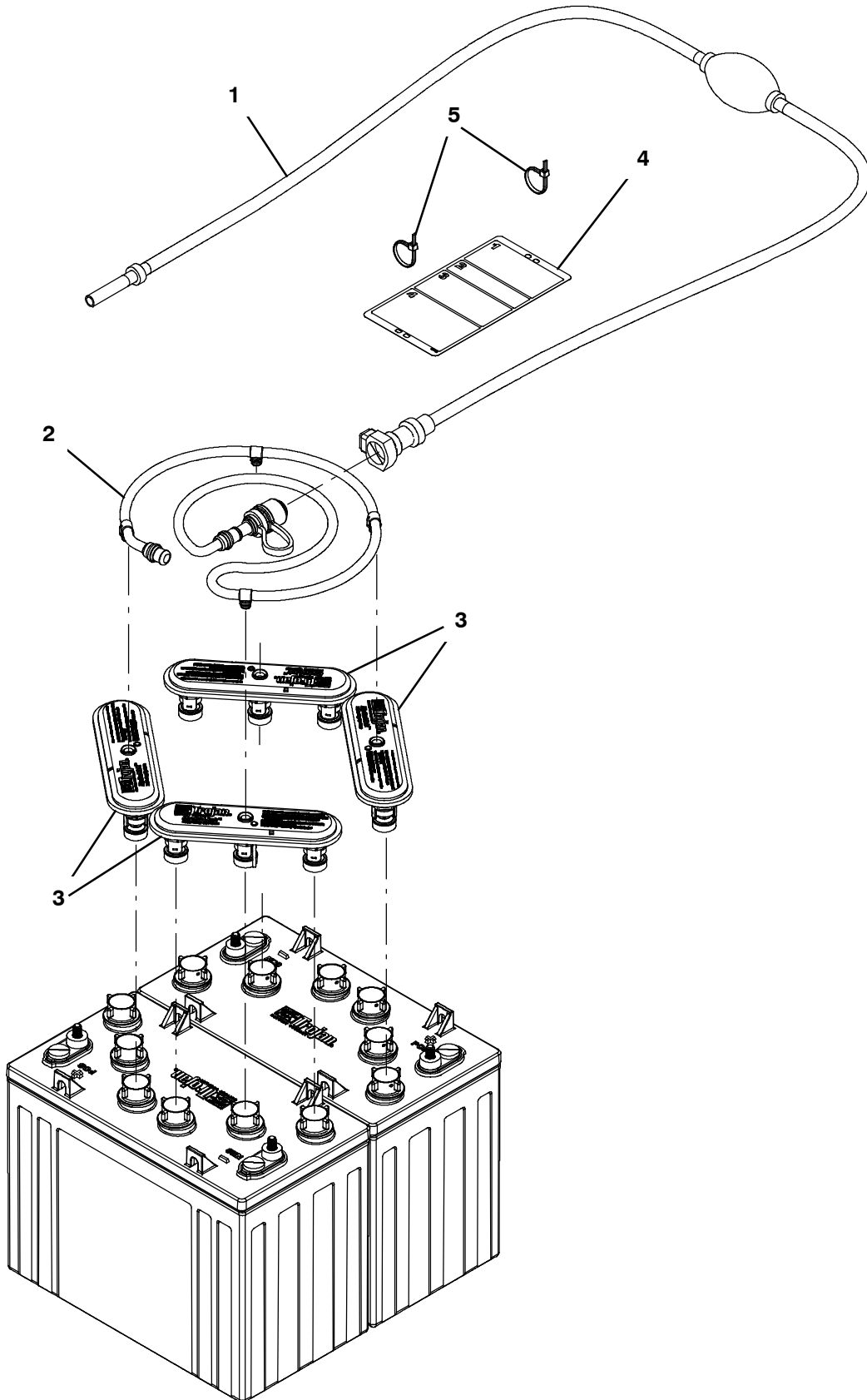
*THIS KIT IS INTENDED FOR USE WITH TROJAN® LEAD ACID BATTERIES ONLY.

▽ ASSEMBLY

▲ INCLUDED IN ASSEMBLY

HYDROLINK® BATTERY WATERING SYSTEM KIT (S/N 1000000 - 11028697)

355316



HYDROLINK® BATTERY WATERING SYSTEM KIT (S/N 10000000 - 11028697)

	Ref.	Part No.	Serial Number	Description	Qty.
▽		9010300*	(10000000- 11028697)	Battery Fill Kit, 24v, Ci [Hydrolink] (Replaced By 9021730) (For Use Only With 150AH Trojan Batteries)	1
▲	1	1058939	(10000000- 11028697)	Pump Kit, Fill, Battery	1
▲	2	1229544	(10000000- 11028697)	Tube, Water, Battery, 24vdc [Trojan]	1
▲	3	1204142	(10000000- 11028697)	Cap, Fill, Battery [Trojan]	4
▲	4	1071084	(10000000- 11028697)	Label, Tag, Battery [Hydrolink Watering]	1
▲	5	130773	(10000000- 20000000)	Tie, Cable, Nyl, 11.0l, .14w, 3.0 Max. D	2

*THIS KIT IS INTENDED FOR USE WITH TROJAN® LEAD ACID BATTERIES ONLY.

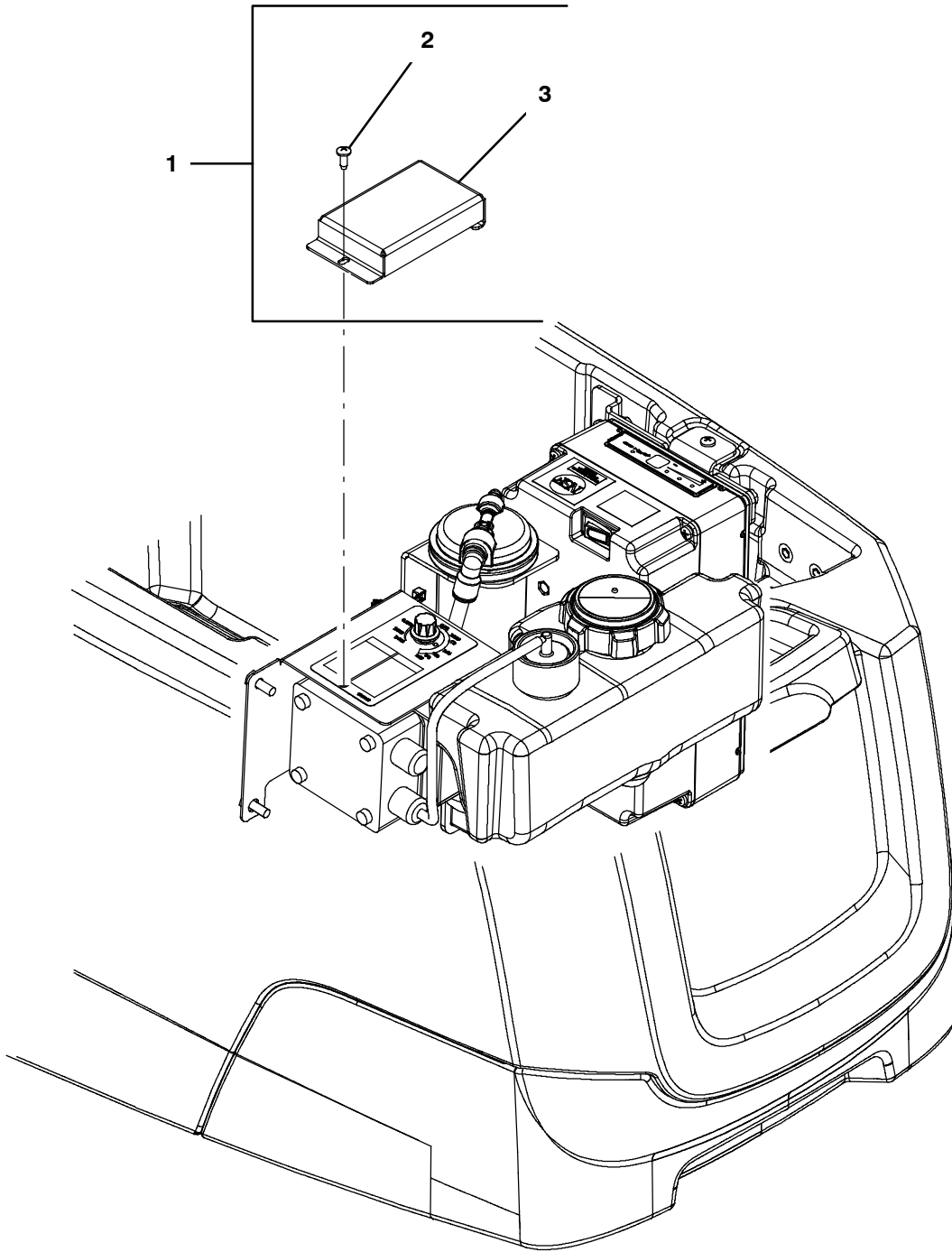
HYDROLINK® IS A REGISTERED TRADEMARK OF TROJAN BATTERY COMPANY.

▽ ASSEMBLY

▲ INCLUDED IN ASSEMBLY

SEVERE ENVIRONMENT LOCKOUT KIT

355703



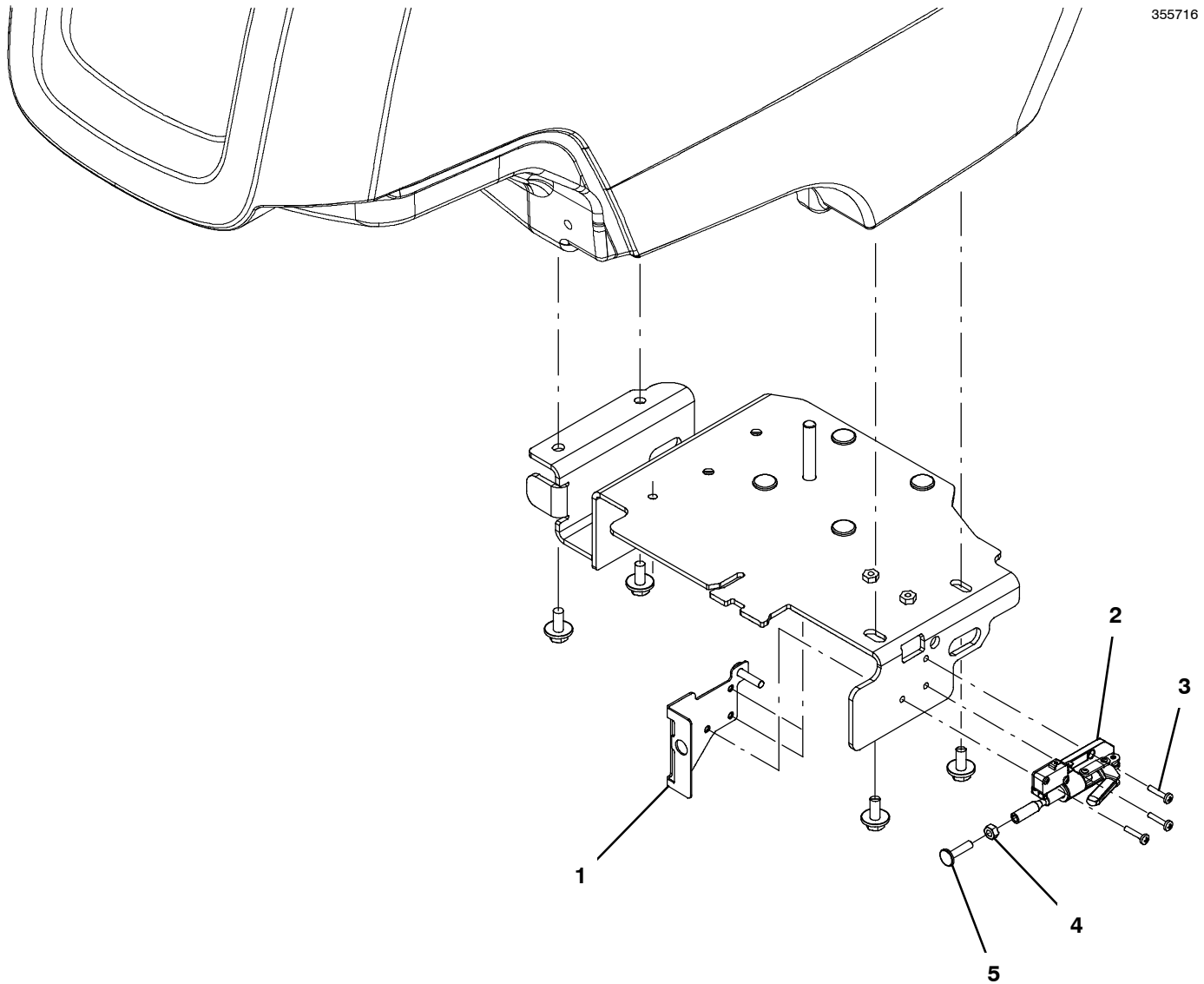
	Ref.	Part No.	Serial Number	Description	Qty.
▽	1	9017884	(10000000-20000000)	Lockout Kit, Severe Environment	1
▲	2	140350	(10000000-20000000)	Screw, Pan, Phl, 10- 16 X 0.50, Ss[Typ25]	1
▲	3	1239732	(10000000-20000000)	Cover, Knob, Severe Environment	1

▽ ASSEMBLY

▲ INCLUDED IN ASSEMBLY

PARKING BRAKE GROUP

355716



Ref.	Part No.	Serial Number	Description	Qty.
1	1211230	(10000000- 20000000)	Plate Wldt, Brake	1
2	1209983	(10000000- 20000000)	Clamp, Brake, Parking	1
3	24265	(10000000- 20000000)	Screw, Pan, Phl, M4 X 0.70 X 16, Ss	3
4	07785	(10000000- 20000000)	Nut, Hex, Std, M6 X 1.00, Ss	1
5	1017416	(10000000- 20000000)	Screw, Weld, M6 X 1.00 X 25, Thru, Ss	1

OPTIONS

DOCUMENTATION GROUP (ONLINE ONLY)

Ref.	Part No.	Serial Number	Description	Qty.
	9014500	(10000000- 20000000)	Manual, Parts [T300, Na]	1
	9014501	(10000000- 20000000)	Manual, Oprtr [T300, En, Na]	1
	9014502	(10000000- 20000000)	Manual, Oprtr [T300, Es, Na]	1
	9014503	(10000000- 20000000)	Manual, Oprtr [T300, Fr, Na]	1
	9014504	(10000000- 20000000)	Instr, Wall Chart [T300, Na]	1
	9014510	(10000000- 20000000)	Manual, Service [T300/T300e, En]	1

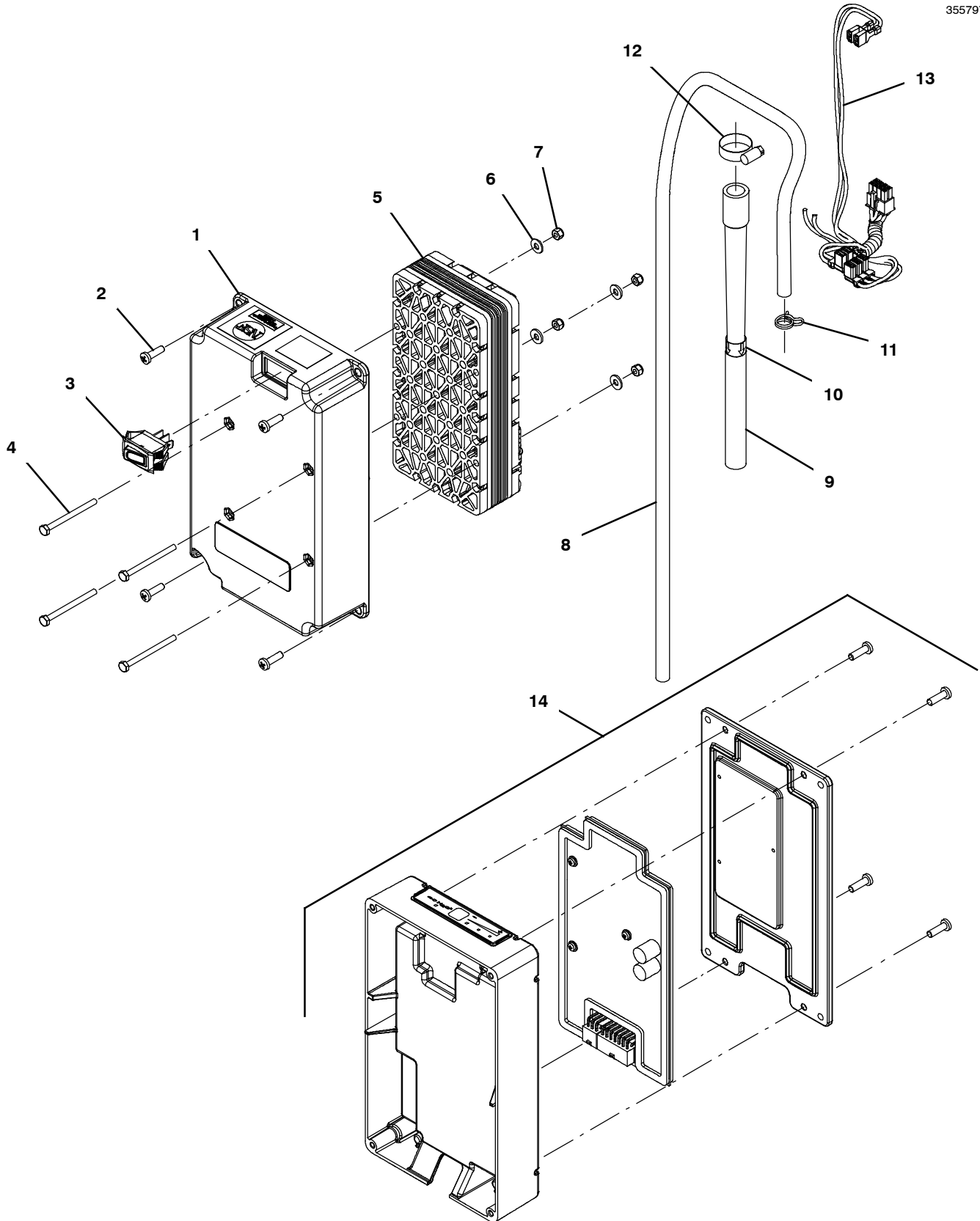


To view, print, order, download the latest Parts manual, other language Operator manuals, and Use and Care Guides (wall charts), visit:

www.tennantco.com/manual

ec- H2O NANOCLEAN MODULE BREAKDOWN 9020643, 9021553
(S/N 10998111 -)

355797



**ec- H2O NANOCLEAN MODULE BREAKDOWN 9020643, 9021553
(S/N 10998111 -)**

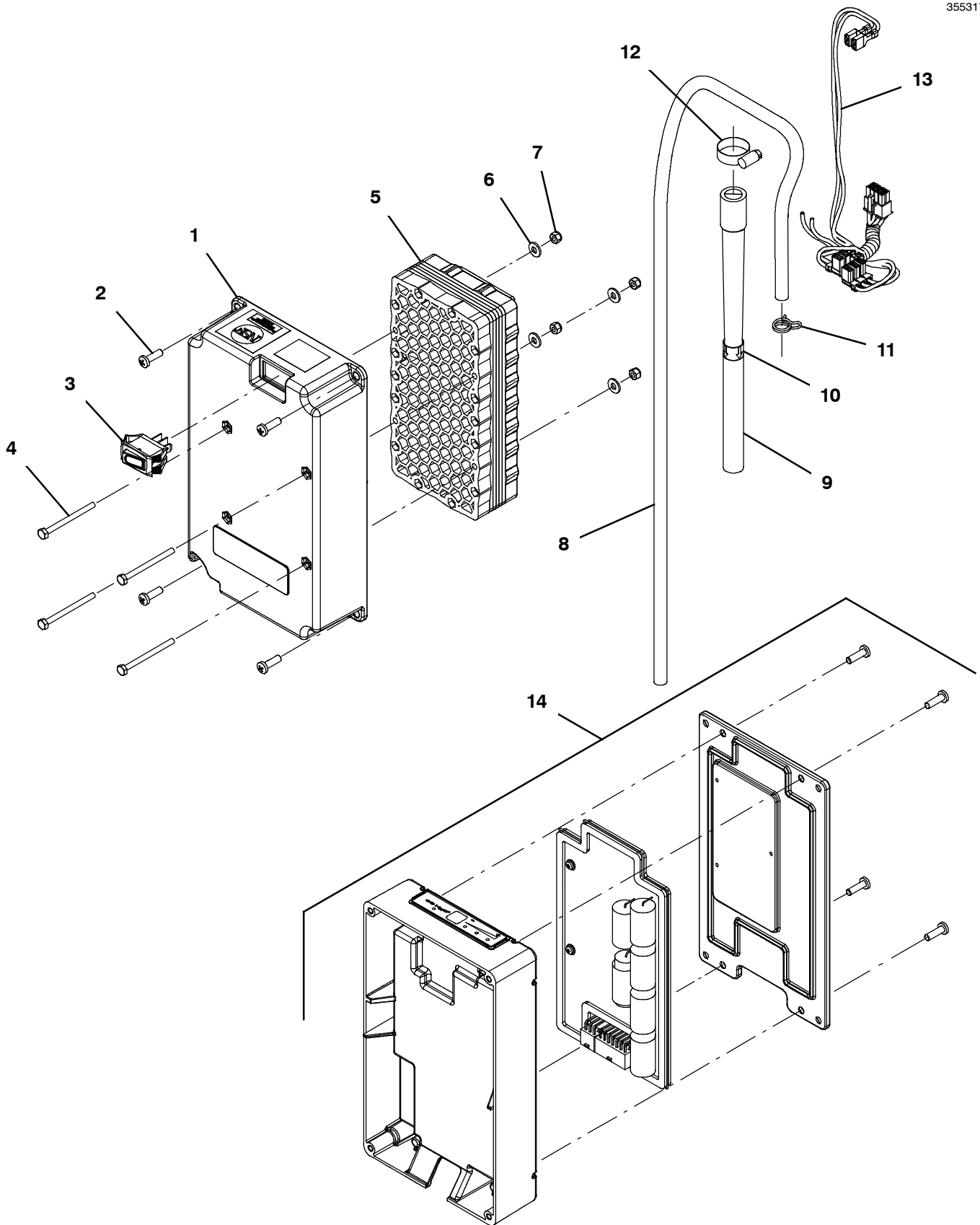
Ref.	Part No.	Serial Number	Description	Qty.
▽	9021553	(OCT2022- 20000000)	Module Kit, Replmt [Ec- H2o, B 02] (Includes ec- H2O NanoClean Cartridge)	1
▽	9020643	(10998111- SEP2022)	Module Kit, Replmt [Ec- H2o, B 02] (Repld By 9021553) (Includes ec- H2O NanoClean Cartridge)	1
▲▽	9014126	(10000000- 20000000)	Ec- H2o Nc Kit [Module B, Plumbing]	1
▲▲	1 1208823	(10000000- 20000000)	Housing, Module, Upper, Ec- H2o	1
▲▲	2 1015506	(10000000- 20000000)	Screw, Pan, Phl, M5 X 16, Tcut [Plastic]	4
▲▲	3 1044393	(10000000- 20000000)	Switch, Rocker, Spst, Mom	1
▲▲	4 32509	(10000000- 20000000)	Screw, Hex, M4 X 0.70 X 50, Ss	4
▲▲	5 1233516	(10983853- 20000000)	Electrode, 5 Plate [De Nora Tech]	1
▲▲	6 41579	(10000000- 20000000)	Washer, Flat, 08, Ss	4
▲▲	7 33932	(10000000- 20000000)	Nut, Hex, Lock, M4 X 0.70, NI, Ss	4
▲▲	8 1006415	(10000000- 20000000)	Hose, Afrmkt, Pvc, Clr, 0.25id, 03ft	1
▲▲	9 1208526	(10000000- 20000000)	Hose, Molded, Bm08/Bm06	1
▲▲	10 1049637	(10000000- 20000000)	Label, Direction [Ec- H2o]	1
▲▲	11 613735	(10000000- 20000000)	Clamp, Hose, Wir, .40 - .42, Yel	1
▲▲	12 54333	(10000000- 20000000)	Clamp, Hose, Wormdrive, 0.31- 0.88d, .31w	1
▲▲	13 1073286	(10000000- 20000000)	Harness, Ele, Module B2 [Ec- H2o]	1
▲	14 9020642	(10998111- 20000000)	Controller Kit, Replmt [Ec- H2o Nc] (Includes ec- H2O NanoClean Cartridge)	1

▽ ASSEMBLY

▲ INCLUDED IN ASSEMBLY

**ec- H2O NANOCLEAN MODULE BREAKDOWN 9011810
(S/N 10000000 - 10998110)**

355317



**ec- H2O NANOCLEAN MODULE BREAKDOWN 9011810
(S/N 10000000 - 10998110)**

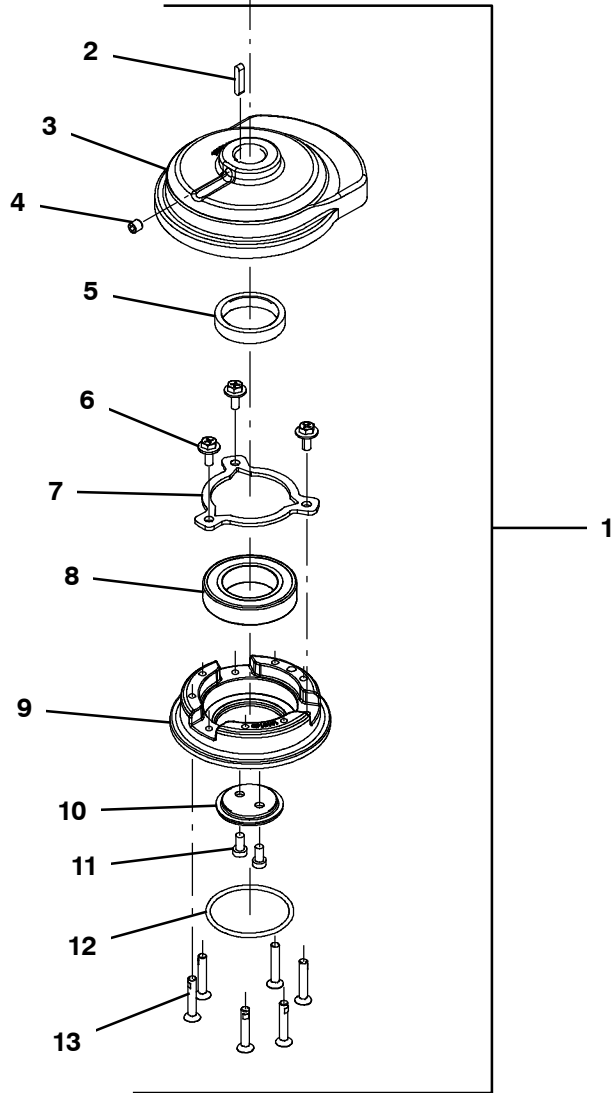
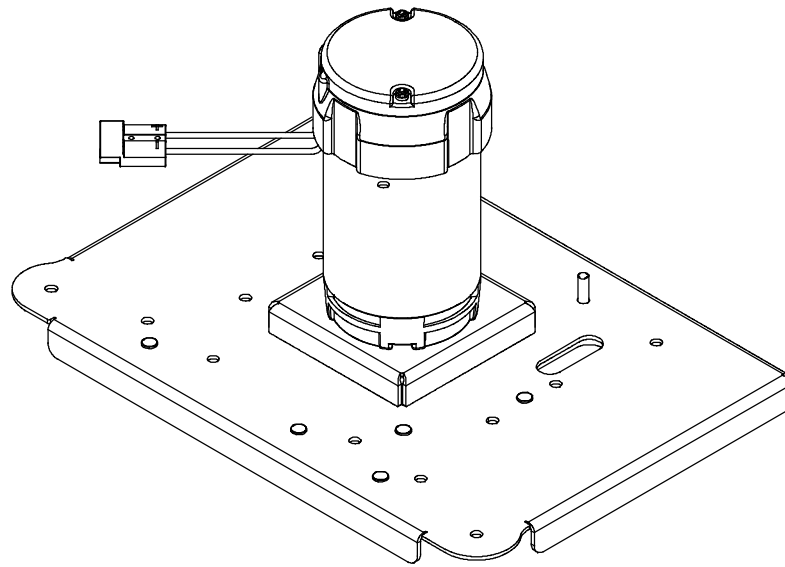
Ref.	Part No.	Serial Number	Description	Qty.
▽	9011810	(10000000- 10998110)	Module Kit, Replmt [Ec- H2o, B 02] (Includes ec- H2O NanoClean Cartridge) (Replaced By 9021553)	1
▲▽	9014126	(10000000- 20000000)	Ec- H2o Nc Kit [Module B, Plumbing]	1
▲▲	1 1208823	(10000000- 20000000)	Housing, Module, Upper, Ec- H2o	1
▲▲	2 1015506	(10000000- 20000000)	Screw, Pan, Phl, M5 X 16, Tcut [Plastic]	4
▲▲	3 1044393	(10000000- 20000000)	Switch, Rocker, Spst, Mom	1
▲▲	4 32509	(10000000- 20000000)	Screw, Hex, M4 X 0.70 X 50, Ss	4
▲▲	5 1208164	(10000000- 10983852)	Electrode, 5 Plate, High Flow (Replaced By 1233516)	1
▲▲	6 41579	(10000000- 20000000)	Washer, Flat, 08, Ss	4
▲▲	7 33932	(10000000- 20000000)	Nut, Hex, Lock, M4 X 0.70, NI, Ss	4
▲▲	8 1006415	(10000000- 20000000)	Hose, Afrmkt, Pvc, Clr, 0.25id, 03ft	1
▲▲	9 1208526	(10000000- 20000000)	Hose, Molded, Bm08/Bm06	1
▲▲	10 1049637	(10000000- 20000000)	Label, Direction [Ec- H2o]	1
▲▲	11 613735	(10000000- 20000000)	Clamp, Hose, Wir, .40 - .42, Yel	1
▲▲	12 54333	(10000000- 20000000)	Clamp, Hose, Wormdrive, 0.31- 0.88d, .31w	1
▲▲	13 1073286	(10000000- 20000000)	Harness, Ele, Module B2 [Ec- H2o]	1
▲	14 9014127	(10000000- 10998110)	Controller Kit, Replmt [Ec- H2o Nc] (Includes ec- H2O NanoClean Cartridge) (Replaced By 9020642)	1

▽ ASSEMBLY

▲ INCLUDED IN ASSEMBLY

ORBITAL HEAD ECCENTRIC DRIVE BREAKDOWN

355337



ORBITAL HEAD ECCENTRIC DRIVE BREAKDOWN

	Ref.	Part No.	Serial Number	Description	Qty.
▽	1	9014175	(10000000- 20000000)	Kit, Eccentric Assy, [T300]	1
▲	2	1014328	(10000000- 20000000)	Key, Sq, 05mm X 05mm, 25mm	1
▲	3	N/A	(10000000- 20000000)	Balance, Eccentric, Step [Machined]	1
▲	4	N/A	(10000000- 20000000)	Screw, Set, M8 X 1.25 X 8, SS	1
▲	5	N/A	(10000000- 20000000)	Spacer, Eccentric	1
▲	6	N/A	(10000000- 20000000)	Screw, Hex, M6 X 1.00 X 16, Sems	3
▲	7	N/A	(10000000- 20000000)	Plate, Retainer, Brg, Outer	1
▲	8	1206608	(10000000- 20000000)	Bearing, Ball, 1.58b 2.68d 0.59w [2seal]	1
▲	9	N/A	(10000000- 20000000)	Housing, Bearing, Outer [Machined]	1
▲	10	N/A	(10000000- 20000000)	Retainer, Bearing, Inner [Qpq]	1
▲	11	N/A	(10000000- 20000000)	Screw, Soc, M6 X 1.00 X 12, 8.8, Low	2
▲	12	1208266	(10000000- 20000000)	O- Ring, 57.15 X 3.18, Nbr	1
▲	13	1212710	(10000000- 20000000)	Screw, Flt, Soc, M6 X 1.00 X 35, 10.9,NI	6

▽ ASSEMBLY

▲ INCLUDED IN ASSEMBLY