



REINVENT HOW THE WORLD CLEANS







T300

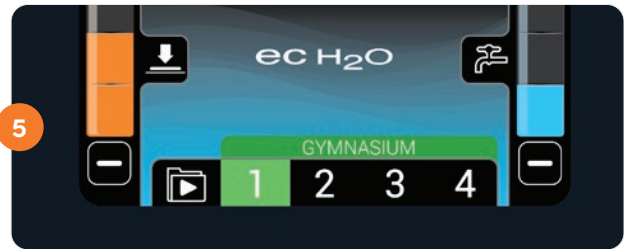
Walk-Behind Floor Scrubber

Delivering high performance, consistent results for virtually any hard surface condition while lowering cleaning costs.

Available technologies

-  ec-H2O NanoClean® technology
-  Pro-Membrane™ or Pro-Panel™
-  IRIS® Asset Manager
-  Lithium-ion technology

Productive & versatile



1. Insta-Click™ Magnetic Head

Patent-pending head allows TennantTrue® pads and brushes to be installed ergonomically, resulting in a safer, faster, low-touch installation.

2. Optimal Performance

Help lower your labor costs and improve cleaning performance with optimal down pressure and high RPM.

3. Yellow Touch Points

Helps prevent breakdown and simplifies preventative maintenance and training requirements.

4. Accessory Tray

Keep the cleaning supplies you need at hand, reducing trips to the janitor closet.

5. Easy Cleaning

Programmable Zone Settings™ for standardization of cleaning processes with optional Pro-Panel.

6. Quiet-Mode

Reduce noise levels as low as 58 dBA for daytime cleaning without disruption. Perfect for healthcare, education, and office cleaning.

Get the performance you need

The T300 scrubbers have multiple machine head types to fit your cleaning applications and optimize cleaning performance for specific areas.



Single disk:
17 in / 430 mm &
20 in / 500 mm

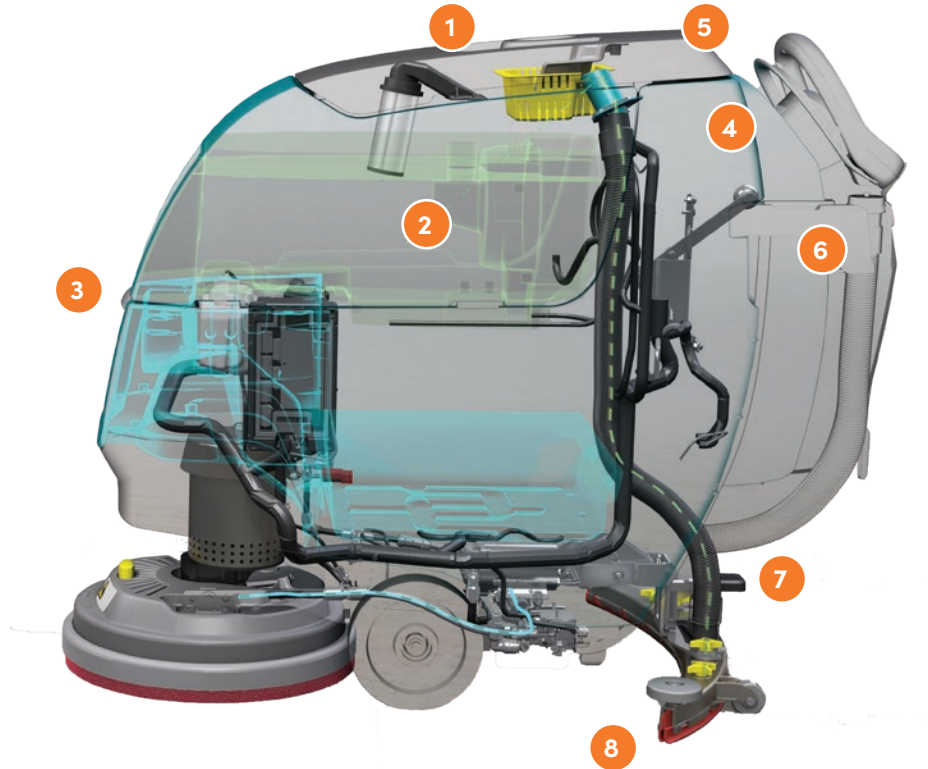


Dual disk:
24 in / 600 mm



Orbital:
20 in / 500 mm

Inside the T300



1. Hygienic Recovery Tank

The tank allows easy access when cleaning to help reduce mold, bacteria and other contaminants that can grow in the enclosed tank.

2. Vacuum Motor

When operated in quiet mode, T300 can operate as quiet as 65 dBA.

3. Easy Fill Port

Fill the unit simpler, faster and reduce the chance of spills.

4. Battery Venting

On-board charger with fan and integrated venting allows batteries to charge safely with lid closed.

5. On-Board Machine Instructions

Ensure the machine is operated in safe manner for optimum results.

6. Optional Flow Control Valve

Reduce the risk of contact with dirty recovery water and help control drain flow rate.

7. Foot Activated Squeegee

More ergonomic for operator safety and enables faster, easier installation of replacement TennantTrue® squeegee blades.

8. Water Recovery

Squeegee provides excellent water recovery to help reduce slips and falls.

T300 specifications

	SINGLE DISK		SINGLE DISK		DUAL DISK	ORBITAL
	17 in / 430 mm Pad Assist	17 in / 430 mm Self-Propel	20 in / 500 mm Pad Assist	20 in / 500 mm Self-Propel	24 in / 600 mm Propel	20 in / 500 mm Self-Propel
Productivity (per hour) Theoretical Max	17,000 ft ² / 1,579 m ²		20,000 ft ² / 1,858 m ²		24,000 ft ² / 2,230 m ²	20,000 ft ² / 1,858 m ²
Estimated Coverage* Conventional	9,340 ft ² / 868 m ²	12,453 ft ² / 1,157 m ²	11,208 ft ² / 1,041 m ²	14,943 ft ² / 1,388 m ²	18,264 ft ² / 1,697 m ²	14,943 ft ² / 1,388 m ²
Estimated Coverage* ec-H2O NanoClean®	9,668 ft ² / 898 m ²	12,891 ft ² / 1,198 m ²	11,602 ft ² / 1,078 m ²	15,469 ft ² / 1,437 m ²	18,906 ft ² / 1,756 m ²	15,469 ft ² / 1,437 m ²
Scrub motor	24 VDC, 1 hp/0.75 kW		24 VDC, 1 hp/0.75 kW		24 VDC, 1 hp/0.75 kW	0.6 hp/0.45 kW
Brush/pad RPM	230 rpm		230 rpm		285 rpm	2,200 rpm
Brush/pad pressure	47, 71, 86 lbs / 21, 32, 39 kg		51, 76, 90 lbs / 23, 35, 41 kg		57, 81, 97 lbs / 26, 37, 44 kg	63, 92, 109 lbs / 29, 42, 49 kg
Solution tank capacity	11 gal / 42 L		11 gal / 42 L		11 gal/42 L	11 gal / 42 L
Recovery tank capacity	14 gal / 53 L		14 gal / 53 L		14 gal/53 L	14 gal / 53 L
Vacuum motor	24 VDC, 0.6 hp / 0.47 kW		24 VDC, 0.6 hp/0.47 kW		24 VDC, 0.6 hp/0.47 kW	24 VDC, 0.6 hp/0.47 kW
Vacuum waterlift	42 in / 1067 mm		42 in / 1067 mm		42 in / 1067 mm	42 in / 1067 mm
System voltage	24 volt		24 volt		24 volt	24 volt
Battery Run Time Wet 150AH or Lithium-ion 90AH (up-to hours)**	3.4	3.1	2.8	2.6	2.9	3.8
Length x width x height	51.25 x 20 x 43.10 in / 1,302 x 500 x 1,095 mm		54 x 22 x 43.10 in / 1,302 x 559 x 1,095 mm		51.75 x 26 x 43.10 in / 1,314 x 660 x 1,095 mm	49 x 20.5 x 43.10 in / 1,245 x 521 x 1,095 mm
Weight (with Batteries)	366 lbs / 166 kg	390 lbs / 177 kg	376 lbs / 171 kg	400 lbs / 181 kg	410 lbs / 168 kg	415 lbs / 188 kg
Sound level (operator's ear)***	64.9 dBA		64.9 dBA		66.5 dBA	66.4 dBA
Quiet-Mode (operator's ear)***	57.8 dBA		57.8 dBA		59.1 dBA	57.6 dBA



ec-H2O NanoClean® technology is NFSI (National Floor Safety Institute) Certified



ec-H2O NanoClean technology is registered by NSF International

* Estimated coverage rates use the practical speed and empty/fill time standards from the 2004 ISSA Cleaning Times handbook.

** Run times are based on continuous scrubbing run times

*** Sound levels per ISO 11201 as recommended by the American Association of Cleaning Equipment manufacturers & OSHA. Specifications subject to change without notice.

Tennant – Reinvent how the world cleans

With a vision to become a global leader in sustainable cleaning innovation that empowers our customers to create a cleaner, safer and healthier world, Tennant creates solutions that are changing the way the world cleans.



We are where you are

Tennant has the industry's largest direct sales and service organization and a well-supported network of authorized distributors worldwide.



Solutions for your unique needs

Whatever your cleaning needs, Tennant offers a variety of high quality equipment to help you increase your cleaning productivity.



Buying, leasing, renting

We offer flexible options to get you the machines you need, however you need them.



TennantTrue®

Optimize equipment performance and protect your investment with TennantTrue® parts and service.

For a demonstration or additional information, call **+1.800.553.8033** or email **info@tennantco.com**

Tennant Company

10400 Clean Street
Eden Prairie, MN 55344-2650, USA

USA/Canada: +1.800.553.8033

Quebec: +1.800.361.9050

Overseas: +1.763.540.1315

www.tennantco.com