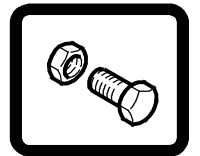




T500

Walk-Behind Floor Scrubber

Parts Manual



(S/N 10000000-20000000)



Hygenic[®] Fully Cleanable Recovery Tank
Tennant *True*[®] Parts
IRIS[®] a Tennant Technology
Pro-Panel[®] Controls
Insta-Fit[™] Adapter
Smart-Fill[™] Automatic Battery Watering



North America / International

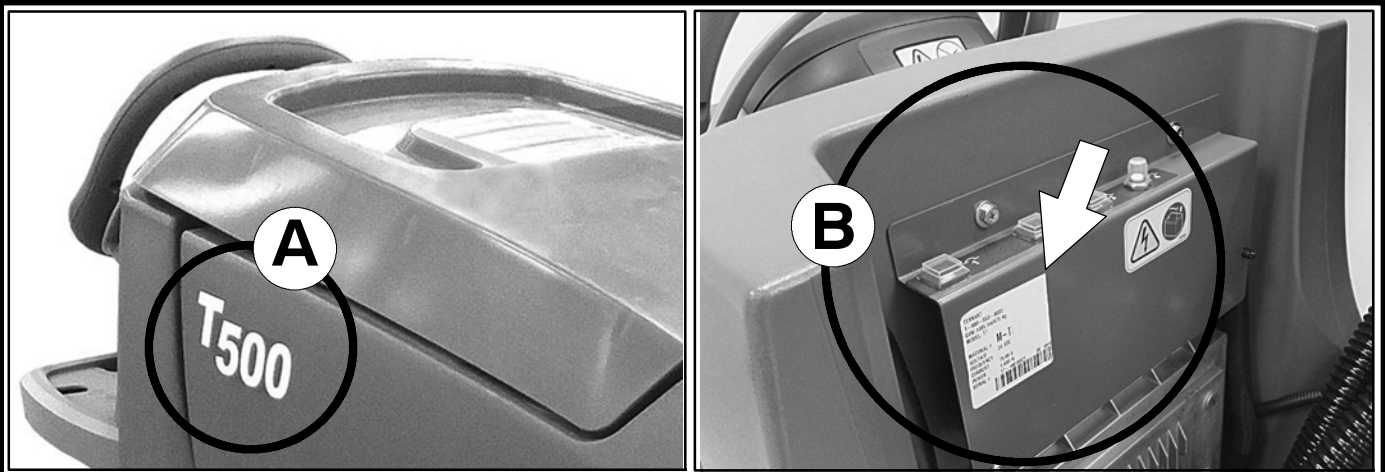


For the latest Parts manuals and other language Operator manuals, visit:

www.tennantco.com/manuals

9015222
Rev. 10 (06-2024)





| Ref | Part No. | Serial Number | Description | Qty. |
|-----|----------|------------------|---------------------------------|------|
| 1 | 82681 | (000000-) | Bracket Wldt, Lpg Mount | 1 |
| ∇ 2 | 63810 | (000000-) | Latch Assy, Lpg Tank Mtg, W/Nut | 4 |
| ▲ 3 | 51839 | (000000-) | Nut Adjustable, Lpg Tank Mtg | 2 |
| 4 | 49263 | (000000-) | Tie, Cable | 3 |
| (D) | 82556 | (000000- 001039) | Bracket, Vaporizer | 1 |
| | 54930 | (000000-) | Vaporizer, LPG | 1 |

HOW TO ORDER PARTS - See diagram above

Only use TENNANT Company supplied or equivalent parts. Parts and supplies may be ordered online, by phone, by fax or by mail.

Follow the steps below to ensure prompt delivery.

1. (A) Identify the machine model.
2. (B) Identify the machine serial number from the data label.
3. (C) Ensure the proper serial number is used from the parts list.
4. Identify the part number and quantity.
Do not order by page or reference numbers.
5. Provide your name, company name, customer ID number, billing and shipping address, phone number and purchase order number.
6. Provide detail shipping instructions.

- (D) ∇ - identifies an assembly
▲ - identifies parts included in assembly

Please fill out at time of installation for future reference.

Model No. - _____

Serial No. - _____

Machine Options - _____

Sales Rep. - _____

Sales Rep. phone no. - _____

Customer ID Number - _____

Installation Date - _____

Tennant Company
 10400 Clean Street
 Eden Prairie, MN 55344- 2650 USA
 Phone: (800) 553- 8033
 www.tennantco.com

Specifications and parts are subject to change without notice.

Copyright © 2024 TENNANT Company, Printed in U.S.A.

| | | |
|-----------|---|---|
| ES | <p>CÓMO SOLICITAR PIEZAS - Consulte el diagrama anterior.</p> <p>Utilice sólo las piezas suministradas por TENNANT Company o piezas equivalentes. Puede solicitar las piezas a través de internet, por teléfono, por fax o por correo.</p> <p>Siga los siguientes pasos para que la entrega sea rápida.</p> <ol style="list-style-type: none"> 1. (A) Indique el modelo de máquina. 2. (B) Indique el número de serie de la etiqueta de datos. 3. (C) Asegúrese de que indica el número de serie correcto de la lista de piezas. 4. Indique la cantidad y el número de la pieza. No realice el pedido indicando el número de página o el de referencia. 5. Incluya su nombre, el nombre de la empresa, el ID de cliente, las direcciones de envío y facturación, el número de teléfono y el número del pedido de compra. 6. Facilite instrucciones de envío. <hr/> <p>(D) ▽ - identifica un conjunto ▲ - identifica piezas de un conjunto</p> | <p>Rellene estos datos cuando realice la instalación para utilizarlos como referencia en el futuro.</p> <p>Nº modelo - _____</p> <p>Nº serie - _____</p> <p>Opciones de la máquina - _____</p> <p>Vendedor - _____</p> <p>Nº teléfono vendedor - _____</p> <p>Nº cliente - _____</p> <p>Fecha de instalación - _____</p> |
|-----------|---|---|

| | | |
|-----------|---|---|
| FR | <p>COMMENT COMMANDER DES PIÈCES DÉTACHÉES - Voir le schéma ci-dessus.</p> <p>Utilisez uniquement des pièces fournies par la société TENNANT ou équivalentes. Les pièces et fournitures peuvent être commandées en ligne, par téléphone, fax, ou par courrier.</p> <p>Suivez les étapes ci-dessous pour assurer une livraison rapide.</p> <ol style="list-style-type: none"> 1. (A) Identifiez le modèle de la machine. 2. (B) Identifiez le numéro de série de la machine, à partir de l'étiquette signalétique. 3. (C) Assurez-vous que le numéro de série correct est utilisé à partir de la liste de pièces détachées. 4. Identifiez le numéro de pièce et la quantité. Ne commandez pas par page ou numéros de référence. 5. Fournissez votre nom, le nom de votre société, votre numéro d'identification de client, l'adresse de facturation et d'expédition, le numéro de téléphone et le numéro du bon de commande. 6. Fournissez des instructions d'expédition détaillées. <hr/> <p>(D) ▽ - identifie un assemblage ▲ - identifie les pièces composant l'assemblage</p> | <p>A remplir au moment de l'installation à titre de référence.</p> <p>Nº du modèle - _____</p> <p>Nº de série - _____</p> <p>Options de la machine - _____</p> <p>Agent commercial - _____</p> <p>Nº tél. de l'agent commercial - _____</p> <p>Numéro d'identification client - _____</p> <p>Date d'installation - _____</p> |
|-----------|---|---|

STANDARD PARTS

| | |
|--|----|
| GENERAL RECOMMENDED MAINTENANCE ITEMS | 7 |
| REPLACEMENT BRUSHES AND PAD DRIVER DISK | 10 |
| REPLACEMENT BRUSHES CYLINDRICAL | 12 |
| REPLACEMENT PADS ORBITAL | 13 |
| SCRUB HEAD GROUP, DISK 650MM / 26IN ... | 14 |
| SCRUB HEAD GROUP, DISK 700MM / 28IN ... | 16 |
| SCRUB HEAD GROUP, DISK 800MM / 32IN ... | 18 |
| SCRUB HEAD GROUP, CYLINDRICAL 700MM / 28IN | 20 |
| SCRUB HEAD GROUP, CYLINDRICAL 700MM / 28IN - CONT'D | 22 |
| SCRUB HEAD GROUP, ORBITAL 700MM / 28IN | 24 |
| RECOVERY TANK GROUP | 26 |
| RECOVERY TANK FILTER AND HOSE GROUP, STANDARD SCREW CAP | 28 |
| SOLUTION TANK GROUP | 30 |
| ELECTRICAL PANEL GROUP | 32 |
| FRAME AND DRIVE GROUP (S/N 11064202 -) | 34 |
| FRAME AND DRIVE GROUP (S/N 10000000 - 11064201) | 36 |
| HEAD LIFT GROUP, DISK | 38 |
| HEAD LIFT GROUP, CYLINDRICAL | 40 |
| HEAD LIFT GROUP, ORBITAL | 42 |
| SHROUD GROUP, DISK AND ORBITAL | 44 |
| SHROUD GROUP, CYLINDRICAL | 45 |
| LOWER CONSOLE GROUP, ON- BOARD CHARGER | 46 |
| LOWER CONSOLE GROUP, ON- BOARD CHARGER, TPPL BATTERY | 48 |
| LOWER CONSOLE GROUP, ON- BOARD CHARGER 650W, LITHIUM- ION BATTERY | 50 |
| LOWER CONSOLE GROUP, ON- BOARD CHARGER 1000W, LITHIUM- ION BATTERY | 52 |
| LOWER CONSOLE GROUP, OFF- BOARD CHARGER | 54 |

| | |
|--|----|
| CONSOLE HANDLE GROUP, PROPEL | 56 |
| CONSOLE PANEL, PRO- MEMBRANE, WITHOUT TELEMETRY | 58 |
| CONSOLE PANEL, PRO- PANEL LCD, WITHOUT TELEMETRY | 60 |
| SQUEEGEE LIFT GROUP | 62 |
| SQUEEGEE ASSEMBLY, 500MM / 20IN | 64 |
| SQUEEGEE ASSEMBLY, 650MM / 26IN (New Style 9021741) | 66 |
| SQUEEGEE ASSEMBLY, 650MM / 26IN (Original Style 9015301 - Replaced By 9021741) | 68 |
| SQUEEGEE ASSEMBLY, 700MM / 28IN (New Style 9021742) | 70 |
| SQUEEGEE ASSEMBLY, 700MM / 28IN (Original Style 9015302 - Replaced By 9021742) | 72 |
| SQUEEGEE ASSEMBLY, 800MM / 32IN (New Style 9021743) | 74 |
| SQUEEGEE ASSEMBLY, 800MM / 32IN (Original Style 9015303 - Replaced By 9021743) | 76 |
| STANDARD SOLUTION GROUP (BARB CONNECTOR STYLE) (S/N 11089942 -) | 78 |
| STANDARD SOLUTION GROUP (PUSH QUICK CONNECTOR STYLE) (S/N 10000000 - 11089941) | 80 |
| STANDARD BATTERY CABLES GROUP | 82 |
| BATTERY CABLES GROUP, TPPL BATTERY .. | 83 |
| BATTERY CABLES GROUP, LITHIUM- ION BATTERY | 84 |
| LABEL GROUP | 85 |
| WIRE HARNESS GROUP | 86 |

TABLE OF CONTENTS

OPTIONS

| | |
|--|-----|
| BATTERY GROUP, WET 225AH | 87 |
| BATTERY GROUP, WET 260AH | 88 |
| BATTERY GROUP, AGM 210AH | 89 |
| BATTERY GROUP, TPPL 183AH C/20 | 90 |
| BATTERY GROUP, 90AH 125 BAUD LITHIUM-ION (1 Battery System) | 91 |
| BATTERY GROUP, 90AH 125 BAUD LITHIUM-ION (2 Battery System) | 92 |
| EXTENSION KIT, LITHIUM-ION BATTERY (1 Battery to 2 Battery System) | 93 |
| MANUAL BATTERY WATERING SYSTEM | 94 |
| HYDROLINK® MANUAL BATTERY WATERING SYSTEM | 96 |
| SMART-FILL AUTOMATIC BATTERY WATERING SYSTEM (S/N 10995399 -) | 98 |
| SMART-FILL AUTOMATIC BATTERY WATERING SYSTEM (S/N 10000000 - 10995398) | 100 |
| CONSOLE PANEL, PRO- MEMBRANE, WITH TELEMETRY (S/N 11099113 -) | 102 |
| CONSOLE PANEL, PRO- MEMBRANE, WITH TELEMETRY (S/N 10000000 - 11099112) | 104 |
| CONSOLE PANEL, PRO- PANEL LCD, WITH TELEMETRY (S/N 11099113 -) | 106 |
| CONSOLE PANEL, PRO- PANEL LCD, WITH TELEMETRY (S/N 10000000 - 11099112) | 108 |
| PINCH CUFF SCREW CAP DRAIN HOSE GROUP | 110 |
| CONTROL VALVE DRAIN HOSE GROUP | 111 |
| RECOVERY TANK RINSE KIT | 112 |
| SOLUTION TANK AUTO-FILL KIT | 114 |
| PARKING BRAKE GROUP (S/N 11064202 -) | 116 |
| PARKING BRAKE GROUP (S/N 10000000 - 11064201) | 118 |
| BRACKET KIT, SOLUTION TANK SUPPORT (S/N 10000000 - 11064201) | 120 |

| | |
|--|-----|
| ec-H2O SOLUTION GROUP (BARB CONNECTOR STYLE) (S/N 11089942 -) | 122 |
| ec-H2O SOLUTION GROUP (PUSH QUICK CONNECTOR STYLE) (S/N 10000000 - 11089941) | 124 |
| SEVERE ENVIRONMENT SOLUTION GROUP . | 126 |
| SEVERE ENVIRONMENT LOCKOUT KIT | 128 |
| DOCUMENTATION GROUP (ONLINE ONLY) ... | 129 |

BREAKDOWNS

| | |
|---|-----|
| ec- H2O NANOCLEAN MODULE BREAKDOWN 9020643, 9021553 (S/N 10983853 -) ... | 130 |
| ec- H2O NANOCLEAN MODULE BREAKDOWN 9011810 (S/N 10000000 - 10983852) | 132 |
| ORBITAL HEAD ECCENTRIC DRIVE BREAKDOWN | 134 |
| AUTOMATIC BATTERY WATERING MODULE BREAKDOWN | 136 |

RECOMMENDED MAINTENANCE ITEMS

GENERAL RECOMMENDED MAINTENANCE ITEMS

| Part No. | Serial Number | Description | Qty. |
|-----------|---------------------|---|------|
| 1223989 | (1000000- 2000000) | Brush Assy, Disk, Scb, 13.0d, Pyp | 2 |
| 1223991 | (1000000- 2000000) | Brush Assy, Disk, Scb, 13.0d, Nyl | 2 |
| 1223990 | (1000000- 2000000) | Brush Assy, Disk, Scb, 13.0d, Sab | 2 |
| 1243567 | (1000000- 2000000) | Pad, Stripper, 13.0d, Brn [1pick=1ctn] | 2 |
| 1243655 | (1000000- 2000000) | Pad, Scb, 13.0d Blu [1pick=1ctn] | 2 |
| 1243341 | (1000000- 2000000) | Pad, Buff, 13.0d, Red [1pick=1ctn] | 2 |
| 1243342 | (1000000- 2000000) | Pad, Polish, 13.0d, White [1pick=1ctn] | 2 |
| 1243666 | (1000000- 2000000) | Pad, Surf Prep, 13.0d Maroon[1pick=1ctn] | 2 |
| 1240356 | (1000000- 2000000) | Pad, Polish, 13.0d, Yel [1pick=1ctn] | 2 |
| 1220218 | (1000000- 2000000) | Brush Assy, Disk, Scb, 14.0d, Pyp | 2 |
| 1221541 | (1000000- 2000000) | Brush Assy, Disk, Scb, 14.0d, Nyl | 2 |
| 1220217 | (1000000- 2000000) | Brush Assy, Disk, Scb, 14.0d, Sab | 2 |
| 1243657 | (1000000- 2000000) | Pad, Stripping, 14.0d Brown [1pick=1ctn] | 2 |
| 1243344 | (1000000- 2000000) | Pad, Scb, 14.0d, Blu [1pick=1ctn] | 2 |
| 1243656 | (1000000- 2000000) | Pad, Buff, 14.0d Red [1pick=1ctn] | 2 |
| 1243343 | (1000000- 2000000) | Pad, Polish, 14.0d, White [1pick=1ctn] | 2 |
| 1243658 | (1000000- 2000000) | Pad, Strip, 14.0d Blk[Hi Prod1pick=1ctn] | 2 |
| 1243667 | (1000000- 2000000) | Pad, Surf Prep, 14.0d Maroon[1pick=1ctn] | 2 |
| 1240389 | (1000000- 2000000) | Pad, Polish, 14.0d, Yel [1pick=1ctn] | 2 |
| 1220216 | (1000000- 2000000) | Brush Assy, Disk, Scb, 16.0d, Pyp | 2 |
| 1220215 | (1000000- 2000000) | Brush Assy, Disk, Scb, 16.0d, Nyl | 2 |
| 1220214 | (1000000- 2000000) | Brush Assy, Disk, Scb, 16.0d, Sab | 2 |
| 1243685 | (1000000- 2000000) | Pad, Stripping, 16.0d, Brn [1pick=1ctn] | 2 |
| 1243354 | (1000000- 2000000) | Pad, Scb, 16.0d, Blu [1pick=1ctn] | 2 |
| 1243355 | (1000000- 2000000) | Pad, Buff, 16.0d, Red [1pick=1ctn] | 2 |
| 1243356 | (1000000- 2000000) | Pad, Polish, 16.0d, White [1pick=1ctn] | 2 |
| 1243659 | (1000000- 2000000) | Pad, Strip, 16.0d Blk[Hi Prod1pick=1ctn] | 2 |
| 1243668 | (1000000- 2000000) | Pad, Surf Prep, 16.0d Maroon[1pick=1ctn] | 2 |
| 1240390 | (1000000- 2000000) | Pad, Polish, 16.0d, Yel [1pick=1ctn] | 2 |
| 222304 | (1000000- 2000000) | Brush, Scb, 28l, 18sr, Pyp, Spl | 2 |
| 222305 | (1000000- 2000000) | Brush, Scb, 28l, 18sr, Nyl, Spl | 2 |
| 222306 | (1000000- 2000000) | Brush, Scb, 28l, 18sr, Abr, Spl | 2 |
| 1223247 | (1000000- 2000000) | Pad, Scb, 28 X 14, Blu [1pc=1pad] | 1 |
| 1244690 | (1000000- 2000000) | Pad, Buff, 28 X 14, Red [1pick=1ctn] | 1 |
| 1223246 | (1000000- 2000000) | Pad, Polish, 28 X 14, White [1pc=1pad] | 1 |
| 1223248 | (1000000- 2000000) | Pad, Surf Prep, 28 X 14, Mar [1pc=1pad] | 1 |
| 1223250 | (1000000- 2000000) | Pad, Scb, 28 X 14, Green [1pick=1ctn] | 1 |
| 1075563 | (1000000- 2000000) | Pad, Stripping, 28 X 14, Blk [1pick=1ctn] | 1 |
| 1228002 | (1000000- 2000000) | Pad, Melamine, 14" X 28" [Case Of 5] | 1 |
| 1240343 | (1000000- 2000000) | Pad, Polish, 28 X 14, Yel [1pick=1ctn] | 1 |
| 1221839 | (1000000- 2000000) | Pad, Backer, 28 X 14 (Includes Velcro Fasteners) | 1 |
| 222403 | (1000000- 2000000) | Wheel, 02.0d 0.88w 0.50b (Disk Head) | 2 |
| 1232324 | (1000000- 2000000) | Bumper, Head, 65cm, Skirt, Im | 1 |
| 1232325 | (1000000- 2000000) | Bumper, Head, 70cm, Skirt, Im | 1 |
| 1232326 | (1000000- 2000000) | Bumper, Head, 80cm, Skirt, Im | 1 |
| 630477 | (1000000- 2000000) | Wheel, Pyu, 02.0d 0.38w, Gray (Cylindrical Head) | 6 |
| 1014918 | (1000000- 2000000) | Wheel, 03.0d 0.88w 0.31b, W/ Bshg, Rbr (Orbital Head) | 2 |
| 1218573 | (1000000- 2000000) | Skirt, Side, Scrb, Cyl [T500] | 4 |
| ▽ 9015765 | (1000000- 2000000) | Belt Kit, Motor, Ci (Cylindrical Head) | 1 |
| ▲ 1035888 | (1000000- 2000000) | Belt, Drive, 6grv, 508 L X 14 W, [6pj] | 2 |
| ▲ 1203758 | (1000000- 2000000) | Tool, Installation, Belt | 1 |

RECOMMENDED MAINTENANCE ITEMS

GENERAL RECOMMENDED MAINTENANCE ITEMS

| | Part No. | Serial Number | Description | Qty. |
|---|----------|-----------------------|--|------|
| ▽ | 9015731 | (10000000- 20000000) | Blade Kit, 500mm, Linatex (Standard) | 1 |
| ▲ | 1203953 | (10000000- 20000000) | Blade, Sqge, Rear, 836l, Linatex[500mm] (Standard) | 1 |
| ▲ | 1203954 | (10000000- 20000000) | Blade, Sqge, Front, 788l, Linatex[500mm] (Standard) | 1 |
| ▽ | 9015732 | (10000000- 20000000) | Blade Kit, 500mm, Urethane (Option) | 1 |
| ▲ | 1215609 | (10000000- 20000000) | Blade, Sqge, Rear, 836l, Urethane[500mm] (Option) | 1 |
| ▲ | 1215611 | (10000000- 20000000) | Blade, Sqge, Front, 788l, Urethane[500mm] (Option) | 1 |
| ▽ | 9015730 | (10000000- 20000000) | Blade Kit, 500mm, Gum (Option) | 1 |
| ▲ | 1215610 | (10000000- 20000000) | Blade, Sqge, Rear, 836l, Gum[500mm] (Option) | 1 |
| ▲ | 1215612 | (10000000- 20000000) | Blade, Sqge, Front, 788l, Gum[500mm] (Option) | 1 |
| ▽ | 9015734 | (10000000- 20000000) | Blade Kit, 650mm, Linatex/Linard (Standard) | 1 |
| ▲ | 1221585 | (10000000- 20000000) | Blade, Sqge, Rear, 1166l, Linatex[650mm] (Standard) | 1 |
| ▲ | 1232680 | (10000000- 20000000) | Blade, Sqge, Front, 1072l Linard[650mm] (Standard) | 1 |
| ▽ | 9015735 | (10000000- 20000000) | Blade Kit, 650mm, Urethane (Option) | 1 |
| ▲ | 1228909 | (10000000- 20000000) | Blade, Sqge, Rear, 1136l,Urethane[650mm] (Option) | 1 |
| ▲ | 1228915 | (10000000- 20000000) | Blade, Sqge, Front,1072l,Urethane[650mm] (Option) | 1 |
| ▽ | 9015733 | (10000000- 20000000) | Blade Kit, 650mm, Gum (Option) | 1 |
| ▲ | 1228910 | (10000000- 20000000) | Blade, Sqge, Rear, 1136l, Gum[650mm] (Option) | 1 |
| ▲ | 1228919 | (10000000- 20000000) | Blade, Sqge, Front, 1072l Gum[650mm] (Option) | 1 |
| ▽ | 9015737 | (10000000- 20000000) | Blade Kit, 700mm, Linatex/Linard (Standard) | 1 |
| ▲ | 1221572 | (10000000- 20000000) | Blade, Sqge, Rear, 1204l, Linatex[700mm] (Standard) | 1 |
| ▲ | 1232679 | (10000000- 20000000) | Blade, Sqge, Front, 1148l Linard[700mm] (Standard) | 1 |
| ▽ | 9015738 | (10000000- 20000000) | Blade Kit, 700mm, Urethane (Option) | 1 |
| ▲ | 1228904 | (10000000- 20000000) | Blade, Sqge, Rear, 1204l,Urethane[700mm] (Option) | 1 |
| ▲ | 1228906 | (10000000- 20000000) | Blade, Sqge, Front,1148l Urethane[700mm] (Option) | 1 |
| ▽ | 9015736 | (10000000- 20000000) | Blade Kit, 700mm, Gum (Option) | 1 |
| ▲ | 1228905 | (10000000- 20000000) | Blade, Sqge, Rear, 1204l, Gum[700mm] (Option) | 1 |
| ▲ | 1228907 | (10000000- 20000000) | Blade, Sqge, Front, 1148l Gum[700mm] (Option) | 1 |
| ▽ | 9015740 | (10000000- 20000000) | Blade Kit, 800mm, Linatex/Linard (Standard) | 1 |
| ▲ | 1221115 | (10000000- 20000000) | Blade, Sqge, Rear, 1306l, Linatex[800mm] (Standard) | 1 |
| ▲ | 1232681 | (10000000- 20000000) | Blade, Sqge, Front, 1256l Linard[800mm] (Standard) | 1 |
| ▽ | 9015741 | (10000000- 20000000) | Blade Kit, 800mm, Urethane (Option) | 1 |
| ▲ | 1228920 | (10000000- 20000000) | Blade, Sqge, Rear, 1306l,Urethane[800mm] (Option) | 1 |
| ▲ | 1228922 | (10000000- 20000000) | Blade, Sqge, Front,1256l Urethane[800mm] (Option) | 1 |
| ▽ | 9015739 | (10000000- 20000000) | Blade Kit, 800mm, Gum (Option) | 1 |
| ▲ | 1228921 | (10000000- 20000000) | Blade, Sqge, Rear, 1306l, Gum[800mm] (Option) | 1 |
| ▲ | 1228923 | (10000000- 20000000) | Blade, Sqge, Front, 1256l Gum[800mm] (Option) | 1 |
| ▽ | 9004909 | (10000000- 11046265) | Wheel Kit, Solid, Ci [T5 T5e Ss5] (No Longer Available - Replaced By 1223583 Qty 2) | 1 |
| | 1223582 | (11046266- 20000000) | Wheel, Scrbr, 8.00d, W/ Taper | 2 |
| ▲ | 1223583 | (10000000- 11046265) | Wheel, Scrbr, 213mm, W/ Taper | 2 |
| ▽ | 1261401 | (11100184- 20000000) | Transaxle, Ele, 24vdc, 110rpm | 1 |
| ▲ | 1261402 | (11100184- 20000000) | Brush Set, Transaxle | 1 |
| ▽ | 1031723 | (10000000- 11100183) | Motor, Transaxle, 24vdc, Afmkt [T5] | 1 |
| ▲ | 614166 | (10000000- 11100183) | Brush Kit, Carbon, Transaxle, Replmt [4] | 1 |
| ▽ | 1226905 | (10000000- 20000000) | Fan, Vacuum, 6.6d, 024vdc, 2 Stage | 1 |
| ▲ | 1206774 | (10000000- 20000000) | Vr, Brush Kit, Motor, Fan | 1 |
| | 1065665 | (10000000- 20000000) | Inductor, 32.3mml [Ferrite 10- 250mhz] (Canada Only) | 1 |
| | 1227867 | (10000000- 20000000) | Inductor, Ferrite [Split Case,407@100hz] (Canada Only) | 2 |
| | 100038 | (10000000- 20000000) | Gasket, .50, 02.63id 05.75od, Adh [Epdm] | 1 |
| | 630052 | (10000000- 20000000) | Float, Shut- Off, (2)Ball, 1.75d | 1 |
| | 1207357 | (10000000- 20000000) | Tray, Debris, Tank, Recvy [T300] | 1 |

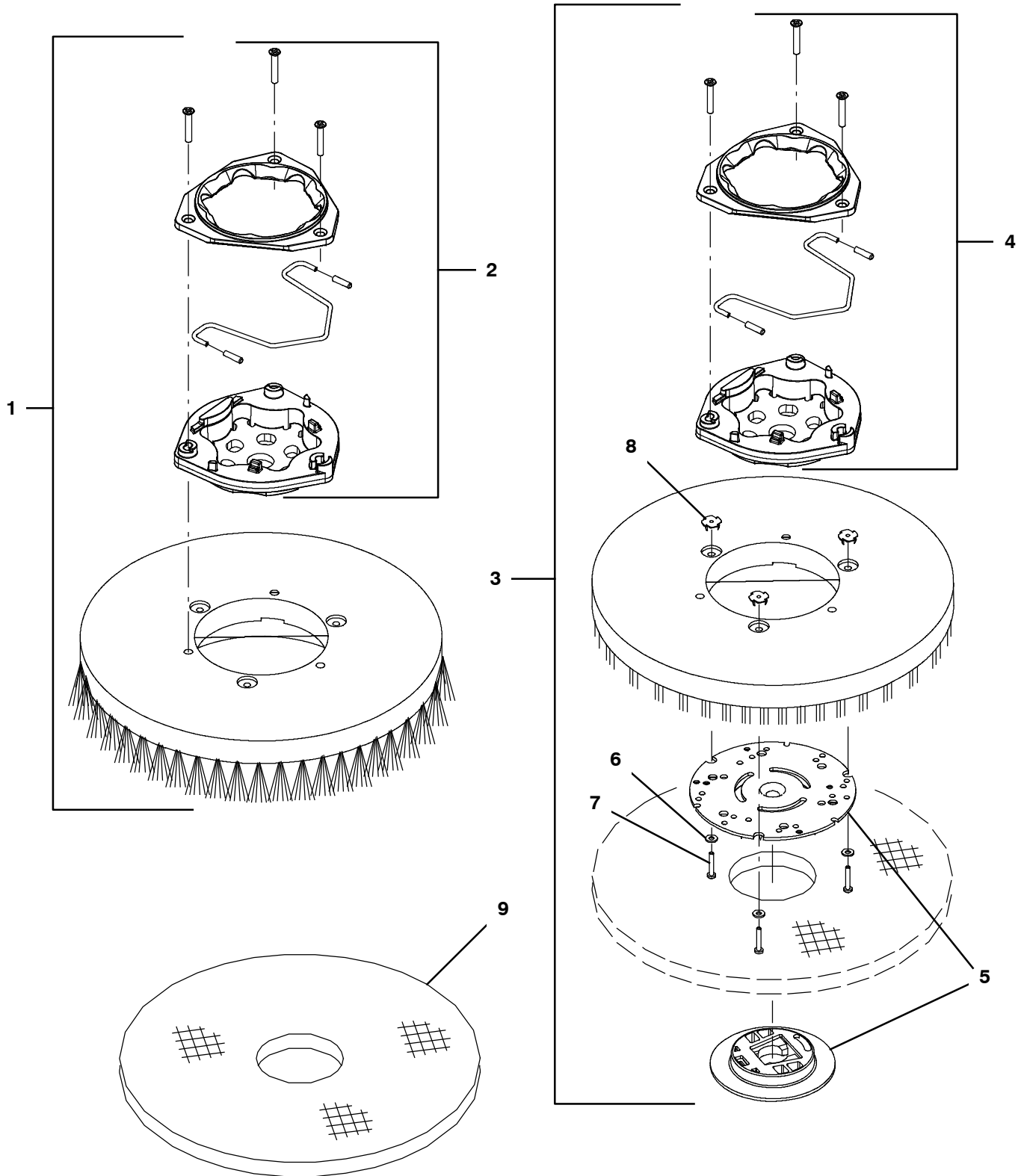
RECOMMENDED MAINTENANCE ITEMS

GENERAL RECOMMENDED MAINTENANCE ITEMS

| | Part No. | Serial Number | Description | Qty. |
|----|----------|-----------------------|--|------|
| ▽ | 1250482 | (10984821- 20000000) | Hose Assy, Drain, 1.5id X 15.5l [Pvc] (Black - Standard) | 1 |
| ▲▽ | 1218955 | (10000000- 20000000) | Cap, Drain Assy [Black] | 1 |
| ▲▲ | 1008637 | (10000000- 20000000) | Seal, Org, 1.48id 1.76od | 1 |
| ▽ | 1225793 | (10000000- 10984820) | Hose Assy, Drain, 1.5d 016l 1.5/Cap[Pvc] (Black - Standard) (Replaced By 1250482) | 1 |
| ▲▽ | 1218955 | (10000000- 20000000) | Cap, Drain Assy [Black] | 1 |
| ▲▲ | 1008637 | (10000000- 20000000) | Seal, Org, 1.48id 1.76od | 1 |
| ▽ | 1247083 | (10948943- 10984820) | Hose Assy, Drain, 1.5id X 26.4l [Pu] (Gray - Option) (NLA - Replaced By Black PVC Hose 1250482) | 1 |
| ▲▽ | 1219134 | (10948943- 10984820) | Cap, Drain Assy [Gray] | 1 |
| ▲▲ | 1008637 | (10000000- 20000000) | Seal, Org, 1.48id 1.76od | 1 |
| ▽ | 9015726 | (10000000- 10948942) | Hose Kit, Drain, Pu, W/ Valve, Ci[T500] (Gray - Option) (NLA - Replaced by 1250482 - Pinch Cuff Screw Cap Style) | 1 |
| ▲ | 1051986 | (10000000- 10948942) | Valve, Ball, 2way, 1.0id Pvc, W/Handle (No Longer Avail- able - Replaced by 1250482 - Pinch Cuff Screw Cap) | 1 |
| | 1211220 | (10000000- 20000000) | Hose Assy,W/2cuff,1.5d 022l 1.5/1.5[Pvc] (Black - Std) | 1 |
| | 1224414 | (10000000- 10984820) | Hose Assy, W/2cuff,1.5d 033l 1.5/1.5[Pu] (Gray - Option) (NLA - Replaced By Black PVC Hose 1211220) | 1 |
| | 9015756 | (10000000- 20000000) | Seal, Cover, Recvy, Ci [T500] | 1 |
| | 9015758 | (10000000- 20000000) | Seal, Tank, Soltn, Ci [T500/T500e] | 1 |
| | 1066431 | (10000000- 20000000) | Seal, Afmkt, Bulb, Dual, 03ft [F/.30gap](Soltn Tank Front) | 1 |
| | 1212422 | (10000000- 20000000) | Caster, Swivel [Wicke 224051] | 2 |
| ▽ | 1211537 | (10000000- 20000000) | Filter, In- Line, Pf06/Pf06 080m 2.6l Epd | 1 |
| ▲ | 1218885 | (10000000- 20000000) | Gasket [Epdm, F/1211537] | 1 |
| ▲ | 1218883 | (10000000- 20000000) | Screen, Fltr, 80 Mesh, Ss [W/ Cage] | 1 |
| ▲ | 613991 | (10000000- 20000000) | Bowl, Clr, Short, F/1005302 | 1 |
| ▽ | 9021553 | (SEP2022- 20000000) | Module Kit, Replmt [Ec- H2o, B 02] (Includes Cartridge) | 1 |
| ▽ | 9020643 | (10983853- AUG2022) | Module Kit, Replmt [Ec- H2o, B 02] (Replaced By 9021553) (Includes ec- H2O NanoClean Cartridge) | 1 |
| ▽ | 9011810 | (10000000- 10983852) | Module Kit, Replmt [Ec- H2o, B 02] (Includes Cartridge) (Replaced By 9021553) | 1 |
| ▲ | 9014127 | (10000000- 20000000) | Controller Kit, Replmt [Ec- H2o Nc] (Includes Cartridge) | 1 |
| ▲ | 9013646 | (10000000- 20000000) | Cartridge, Ec- H2o Nanoclean Wcm, 270ml | 1 |
| | 1225817 | (10000000- 20000000) | Hose Assy, W/2cuff,1.5d 027l 2.0/1.5[Pu] (Gray) | 1 |
| ▽ | 1023067 | (10000000- 20000000) | Motor, Ele, 24vdc 0220rpm 0.75hp Gear (Disk Head) | 2 |
| ▲ | 1031775 | (10000000- 20000000) | Brush Kit, Carbon, Motor, Replmt [T5] (Disk Head) | 1 |
| | 1227867 | (10000000- 20000000) | Inductor, Ferrite [Split Case,407@100hz] (Canada Only) | 4 |
| ▽ | 1223429 | (10000000- 20000000) | Motor, Ele, 24vdc 1500rpm 0.60hp (Cylindrical Head) | 2 |
| ▲ | 1031775 | (10000000- 20000000) | Brush Kit, Carbon, Motor, Replmt [T5] (Cylindrical Head) | 1 |
| | 1065665 | (10000000- 20000000) | Inductor, 32.3mml [Ferrite 10- 250mhz] (Canada Only) | 2 |
| ▽ | 1219913 | (10000000- 20000000) | Motor, Ele, 24vdc, 2200rpm, 0.75hp 28.0a (Orbital Head) | 1 |
| ▲ | 1059370 | (10000000- 20000000) | Brush, Motor, Replmt [Bag Of 4] (Orbital Head) | 1 |
| | 1065665 | (10000000- 20000000) | Inductor, 32.3mml [Ferrite 10- 250mhz] (Canada Only) | 1 |

REPLACEMENT BRUSHES AND PAD DRIVER DISK

355426



REPLACEMENT BRUSHES AND PAD DRIVER DISK

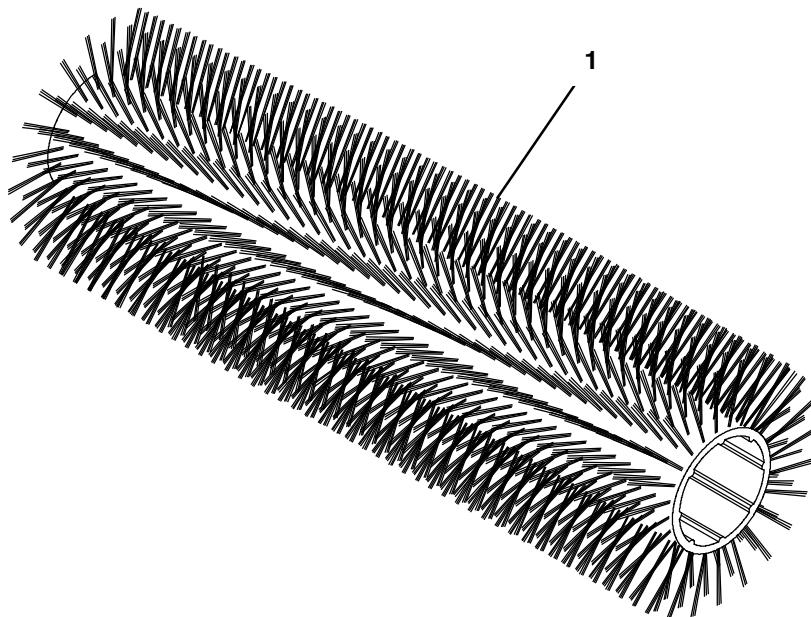
| Ref. | Part No. | Serial Number | Description | Qty. |
|------|----------|---------------|--|------|
| ▽ | 1 | 1223989 | (10000000- 20000000) Brush Assy, Disk, Scb, 13.0d, Pyp | 2 |
| ▽ | 1 | 1223991 | (10000000- 20000000) Brush Assy, Disk, Scb, 13.0d, Nyl | 2 |
| ▽ | 1 | 1223990 | (10000000- 20000000) Brush Assy, Disk, Scb, 13.0d, Sab | 2 |
| ▽ | 1 | 1220218 | (10000000- 20000000) Brush Assy, Disk, Scb, 14.0d, Pyp | 2 |
| ▽ | 1 | 1221541 | (10000000- 20000000) Brush Assy, Disk, Scb, 14.0d, Nyl | 2 |
| ▽ | 1 | 1220217 | (10000000- 20000000) Brush Assy, Disk, Scb, 14.0d, Sab | 2 |
| ▽ | 1 | 1220216 | (10000000- 20000000) Brush Assy, Disk, Scb, 16.0d, Pyp | 2 |
| ▽ | 1 | 1220215 | (10000000- 20000000) Brush Assy, Disk, Scb, 16.0d, Nyl | 2 |
| ▽ | 1 | 1220214 | (10000000- 20000000) Brush Assy, Disk, Scb, 16.0d, Sab | 2 |
| ▲ | 2 | 9014667 | (10000000- 20000000) Brush Kit, Hub Assy, Drive, Ci [Comm] | 1 |
| ▽ | 3 | 1220220 | (10000000- 20000000) Driver Assy, Pad, 13.0d, Brush | 2 |
| ▽ | 3 | 1220221 | (10000000- 20000000) Driver Assy, Pad, 14.0d, Brush | 2 |
| ▽ | 3 | 1220222 | (10000000- 20000000) Driver Assy, Pad, 16.0d, Brush | 2 |
| ▲ | 4 | 9014667 | (10000000- 20000000) Brush Kit, Hub Assy, Drive, Ci [Comm] | 1 |
| ▲ | 5 | 370095 | (10000000- 20000000) Device, Centering, Clip On, TI [Gf Pp] | 1 |
| ▲ | 6 | 41579 | (10000000- 20000000) Washer, Flat, 08, Ss | 3 |
| ▲ | 7 | 04403 | (10000000- 20000000) Screw, Pan, Phl, M4 X 0.70 X 25, Nl, Ss | 3 |
| ▲ | 8 | 10908 | (10000000- 20000000) Nut, T, M4 X 0.70 | 3 |
| | 9 | 1243567 | (10000000- 20000000) Pad, Stripper, 13.0d, Brn [1pick=1ctn] | 2 |
| | 9 | 1243655 | (10000000- 20000000) Pad, Scb, 13.0d Blu [1pick=1ctn] | 2 |
| | 9 | 1243341 | (10000000- 20000000) Pad, Buff, 13.0d, Red [1pick=1ctn] | 2 |
| | 9 | 1243342 | (10000000- 20000000) Pad, Polish, 13.0d, White [1pick=1ctn] | 2 |
| | 9 | 1243666 | (10000000- 20000000) Pad, Surf Prep, 13.0d Maroon[1pick=1ctn] | 2 |
| | 9 | 1240356 | (10000000- 20000000) Pad, Polish, 13.0d, Yel [1pick=1ctn] | 2 |
| | 9 | 1243657 | (10000000- 20000000) Pad, Stripping, 14.0d Brown [1pick=1ctn] | 2 |
| | 9 | 1243344 | (10000000- 20000000) Pad, Scb, 14.0d, Blu [1pick=1ctn] | 2 |
| | 9 | 1243656 | (10000000- 20000000) Pad, Buff, 14.0d Red [1pick=1ctn] | 2 |
| | 9 | 1243343 | (10000000- 20000000) Pad, Polish, 14.0d, White [1pick=1ctn] | 2 |
| | 9 | 1243658 | (10000000- 20000000) Pad, Strip, 14.0d Blk[Hi Prod1pick=1ctn] | 2 |
| | 9 | 1243667 | (10000000- 20000000) Pad, Surf Prep, 14.0d Maroon[1pick=1ctn] | 2 |
| | 9 | 1240389 | (10000000- 20000000) Pad, Polish, 14.0d, Yel [1pick=1ctn] | 2 |
| | 9 | 1243685 | (10000000- 20000000) Pad, Stripping, 16.0d, Brn [1pick=1ctn] | 2 |
| | 9 | 1243354 | (10000000- 20000000) Pad, Scb, 16.0d, Blu [1pick=1ctn] | 2 |
| | 9 | 1243355 | (10000000- 20000000) Pad, Buff, 16.0d, Red [1pick=1ctn] | 2 |
| | 9 | 1243356 | (10000000- 20000000) Pad, Polish, 16.0d, White [1pick=1ctn] | 2 |
| | 9 | 1243659 | (10000000- 20000000) Pad, Strip, 16.0d Blk[Hi Prod1pick=1ctn] | 2 |
| | 9 | 1243668 | (10000000- 20000000) Pad, Surf Prep, 16.0d Maroon[1pick=1ctn] | 2 |
| | 9 | 1240390 | (10000000- 20000000) Pad, Polish, 16.0d, Yel [1pick=1ctn] | 2 |

▽ ASSEMBLY

▲ INCLUDED IN ASSEMBLY

REPLACEMENT BRUSHES CYLINDRICAL

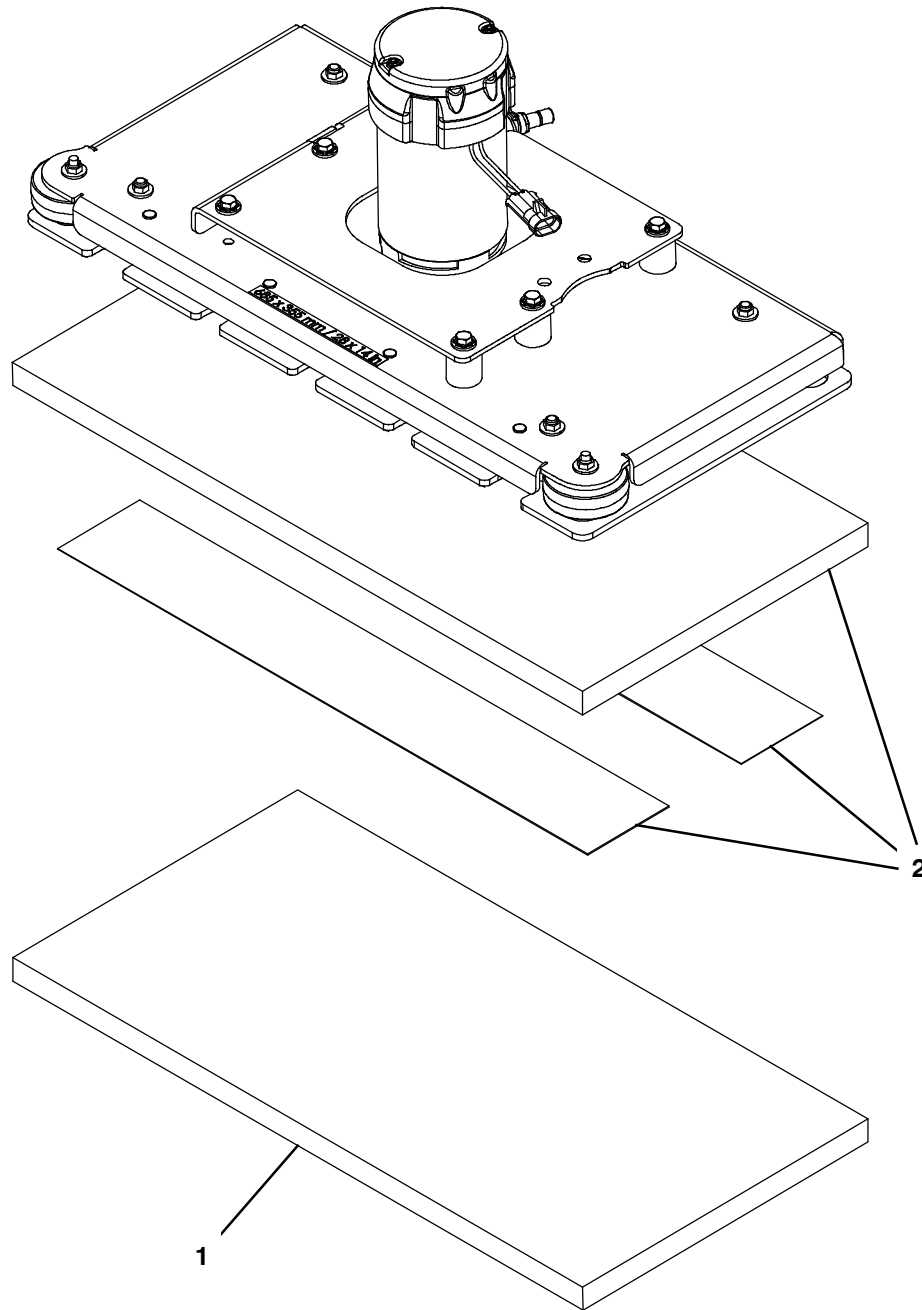
355427



| Ref. | Part No. | Serial Number | Description | Qty. |
|------|----------|----------------------|---------------------------------|------|
| 1 | 222304 | (10000000-20000000) | Brush, Scb, 28l, 18sr, Pyp, Spl | 2 |
| 1 | 222305 | (10000000-20000000) | Brush, Scb, 28l, 18sr, Nyl, Spl | 2 |
| 1 | 222306 | (10000000-20000000) | Brush, Scb, 28l, 18sr, Abr, Spl | 2 |

REPLACEMENT PADS ORBITAL

355478

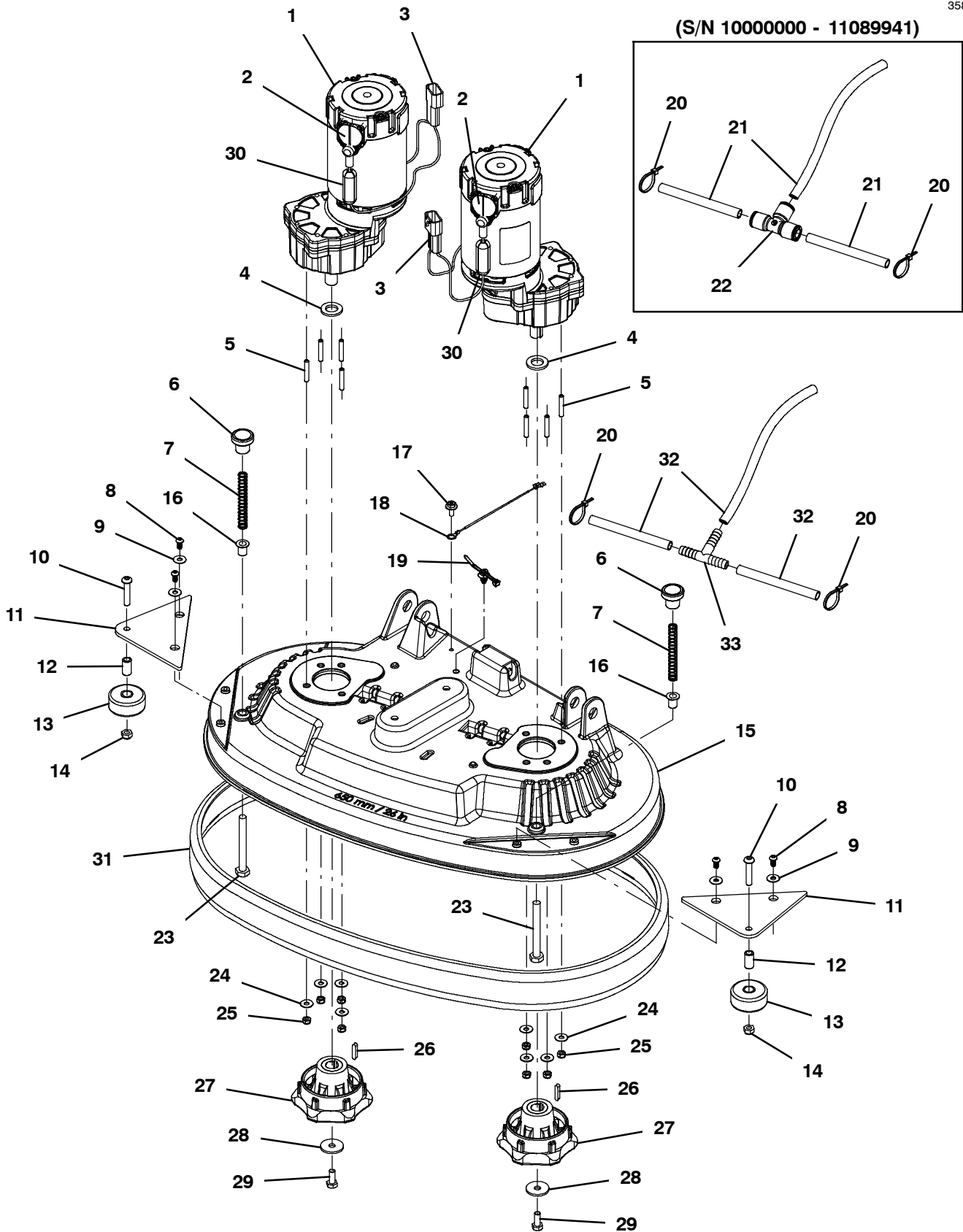


| Ref. | Part No. | Serial Number | Description | Qty. |
|------|----------|-----------------------|--|------|
| 1 | 1223247 | (10000000- 20000000) | Pad, Scb, 28 X 14, Blu [1pc=1pad] | 1 |
| 1 | 1244690 | (10000000- 20000000) | Pad, Buff, 28 X 14, Red [1pick=1ctn] | 1 |
| 1 | 1223246 | (10000000- 20000000) | Pad, Polish, 28 X 14, White [1pc=1pad] | 1 |
| 1 | 1223248 | (10000000- 20000000) | Pad, Surf Prep, 28 X 14, Mar [1pc=1pad] | 1 |
| 1 | 1223250 | (10000000- 20000000) | Pad, Scb, 28 X 14, Green [1pick=1ctn] | 1 |
| 1 | 1075563 | (10000000- 20000000) | Pad, Stripping, 28 X 14, Blk [1pick=1ctn] | 1 |
| 1 | 1228002 | (10000000- 20000000) | Pad, Melamine, 14" X 28" [Case Of 5] | 1 |
| 1 | 1240343 | (10000000- 20000000) | Pad, Polish, 28 X 14, Yel [1pick=1ctn] | 1 |
| 2 | 1221839 | (10000000- 20000000) | Pad, Backer, 28 X 14 (Includes Velcro Fasteners) | 1 |

SCRUB HEAD GROUP, DISK 650MM / 26IN

358012

(S/N 10000000 - 11089941)



SCRUB HEAD GROUP, DISK 650MM / 26IN

| Ref. | Part No. | Serial Number | Description | Qty. |
|------|----------|---------------|--|------|
| ▽ | 1 | 1023067 | (10000000- 20000000) Motor, Ele, 24vdc 0220rpm 0.75hp Gear (Canada Also Requires Qty 2 Ferrite #1227867) | 2 |
| ▲ | 2 | 1031775 | (10000000- 20000000) Brush Kit, Carbon, Motor, Replmt [T5] | 1 |
| ▲ | 3 | 1031681 | (10000000- 20000000) Harness, Connector, Brush- Motor [T5] Us | 1 |
| | 4 | 1022549 | (10000000- 20000000) Spacer, Shaft, 17.15b 30.0d 3.0l, Ss | 2 |
| | 5 | 1025853 | (10000000- 20000000) Screw, Set, M6 X 1.00 X 35, NI, Ss | 8 |
| | 6 | 1222988 | (10000000- 20000000) Knob, Rnd, 31.0d 27.0l M10, Plstc | 2 |
| | 7 | 626081 | (10000000- 20000000) Spring, Cmpr, 0.48od .04wir 03.5l | 2 |
| | 8 | 1227865 | (10000000- 20000000) Screw, Trs, M6 X 1.0 X 12, Phl, Ss, NI | 4 |
| | 9 | 01684 | (10000000- 20000000) Washer, Flat, 0.27b 0.69d .05, Ss | 4 |
| | 10 | 397826 | (10000000- 20000000) Screw, Btn, M8 X 1.25 X 40, Ss | 2 |
| | 11 | 1227709 | (10000000- 20000000) Bracket, Roller, Wall | 2 |
| | 12 | 222496 | (10000000- 20000000) Sleeve, P/M, 0.32b 0.50d 0.9l [430ss] | 2 |
| | 13 | 222403 | (10000000- 20000000) Wheel, 02.0d 0.88w 0.50b | 2 |
| | 14 | 08713 | (10000000- 20000000) Nut, Hex, Lock, M8 X 1.25, NI, Ss | 2 |
| ▽ | 15 | 9018835 | (10000000- 20000000) Housing, Disc, 65cm, Afmkt [T600, Na,Ce] | 1 |
| ▲ | 16 | 1247152 | (10000000- 20000000) Bushing, Flng, 10mmb 12mmd 17mml | 2 |
| | 17 | 1034731 | (10000000- 20000000) Screw, Hex, M6 X 1.00 X 16, Sems, Ss | 1 |
| | 18 | 1074344 | (10000000- 20000000) Harness, Ele [Ring With .250m Tail] | 1 |
| | 19 | 1210807 | (10000000- 20000000) Wire, Tie [W/.25" Fir Tree Clip] | 1 |
| | 20 | 130773 | (10000000- 20000000) Tie, Cable, Nyl, 11.0l, .14w, 3.0 Max. D | 2 |
| | 21 | 9014145 | (10000000- 11089941) Hose, Afmkt, Pe, .375id .50od, 05ft | 1 |
| | 22 | 1212858 | (10000000- 11089941) Fitting, Plstc, Tee, Qf08/Qf08/Qf08 | 1 |
| | 23 | 09746 | (10000000- 20000000) Screw, Hex, M10 X 1.50 X 90, Ss | 2 |
| | 24 | 01684 | (10000000- 20000000) Washer, Flat, 0.27b 0.69d .05, Ss | 8 |
| | 25 | 08712 | (10000000- 20000000) Nut, Hex, Lock, M6 X 1.00, NI, Ss | 8 |
| | 26 | 1014328 | (10000000- 20000000) Key, Sq, 05mm X 05mm, 25mml | 2 |
| | 27 | 1071637 | (10000000- 20000000) Hub, Drive, Brush, Disk, 17mmb | 2 |
| | 28 | 1017218 | (10000000- 20000000) Washer, Flat, 0.32b 1.00d .12, Ss | 2 |
| | 29 | 12273 | (10000000- 20000000) Screw, Hex, M8 X 1.25 X 20, NI, Ss | 2 |
| | 30 | 1227867 | (10000000- 20000000) Inductor, Ferrite [Split Case,407@100hz] (Canada Only) | 4 |
| | 31 | 1232324 | (10000000- 20000000) Bumper, Head, 65cm, Skirt, Im | 1 |
| | 32 | 1006416 | (11089942- 20000000) Hose, Afmkt, Pvc, Clr, 0.38id, 03ft | 1 |
| | 33 | 1247259 | (11089942- 20000000) Fitting, Plstc, Tee, Bm06/Bm06/Bm06, Pyp | 1 |

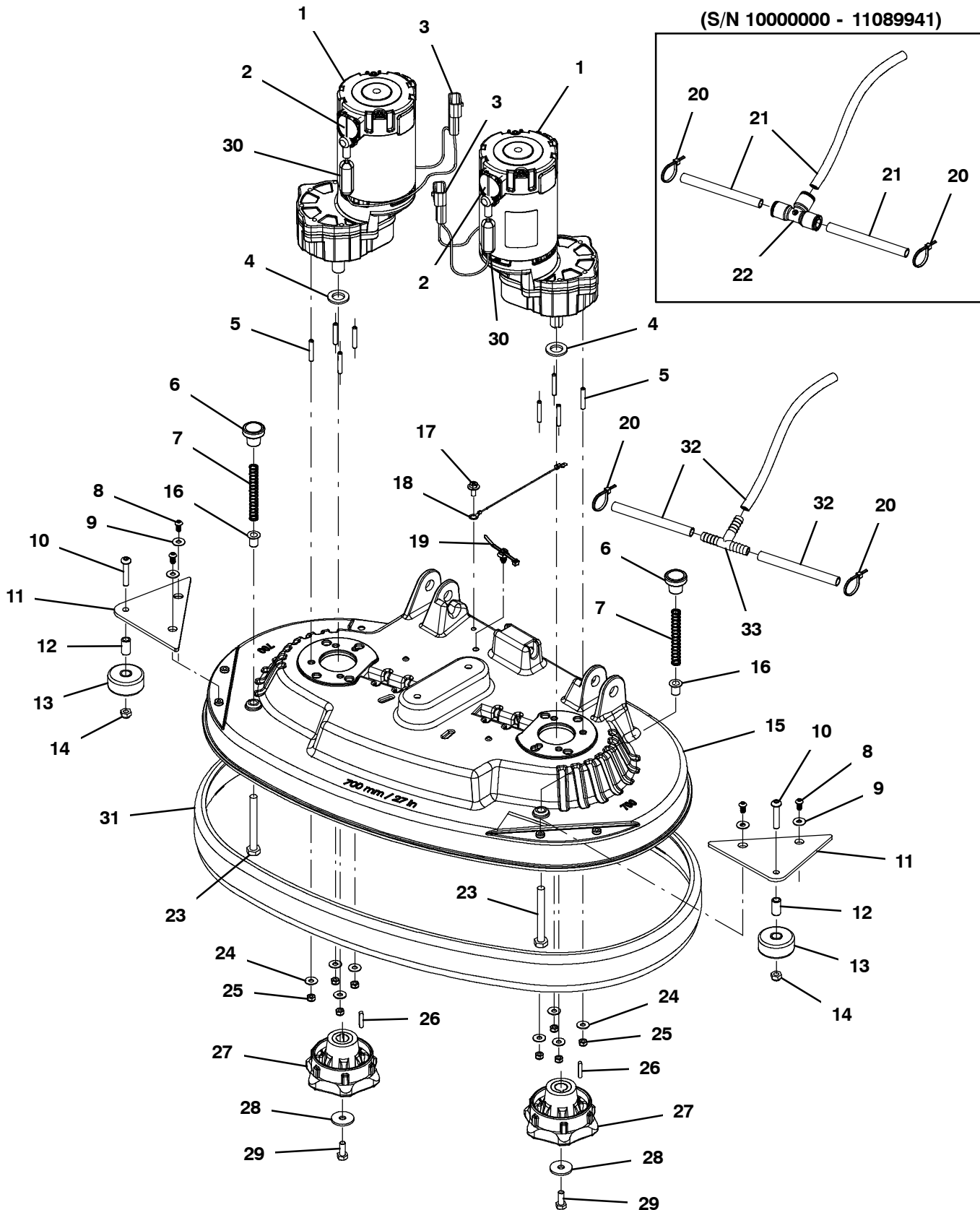
▽ ASSEMBLY

▲ INCLUDED IN ASSEMBLY

SCRUB HEAD GROUP, DISK 700MM / 28IN

358013

(S/N 1000000 - 11089941)



SCRUB HEAD GROUP, DISK 700MM / 28IN

| Ref. | Part No. | Serial Number | Description | Qty. |
|------|----------|---------------|--|------|
| ▽ | 1 | 1023067 | (10000000- 20000000) Motor, Ele, 24vdc 0220rpm 0.75hp Gear (Canada Also Requires Qty 2 Ferrite #1227867) | 2 |
| ▲ | 2 | 1031775 | (10000000- 20000000) Brush Kit, Carbon, Motor, Replmt [T5] | 1 |
| ▲ | 3 | 1031681 | (10000000- 20000000) Harness, Connector, Brush- Motor [T5] Us | 1 |
| | 4 | 1022549 | (10000000- 20000000) Spacer, Shaft, 17.15b 30.0d 3.0l, Ss | 2 |
| | 5 | 1025853 | (10000000- 20000000) Screw, Set, M6 X 1.00 X 35, NI, Ss | 8 |
| | 6 | 1222988 | (10000000- 20000000) Knob, Rnd, 31.0d 27.0l M10, Plstc | 2 |
| | 7 | 626081 | (10000000- 20000000) Spring, Cmpr, 0.48od .04wir 03.5l | 2 |
| | 8 | 1227865 | (10000000- 20000000) Screw, Trs, M6 X 1.0 X 12, Phl, Ss, NI | 4 |
| | 9 | 01684 | (10000000- 20000000) Washer, Flat, 0.27b 0.69d .05, Ss | 4 |
| | 10 | 397826 | (10000000- 20000000) Screw, Btn, M8 X 1.25 X 40, Ss | 2 |
| | 11 | 1227709 | (10000000- 20000000) Bracket, Roller, Wall | 2 |
| | 12 | 222496 | (10000000- 20000000) Sleeve, P/M, 0.32b 0.50d 0.9l [430ss] | 2 |
| | 13 | 222403 | (10000000- 20000000) Wheel, 02.0d 0.88w 0.50b | 2 |
| | 14 | 08713 | (10000000- 20000000) Nut, Hex, Lock, M8 X 1.25, NI, Ss | 2 |
| ▽ | 15 | 9018824 | (10000000- 20000000) Housing, Disc, 70cm, Afmkt [T600, Na,Ce] | 1 |
| ▲ | 16 | 1247152 | (10000000- 20000000) Bushing, Flng, 10mmb 12mmd 17mml | 2 |
| | 17 | 1034731 | (10000000- 20000000) Screw, Hex, M6 X 1.00 X 16, Sems, Ss | 1 |
| | 18 | 1074344 | (10000000- 20000000) Harness, Ele [Ring With .250m Tail] | 1 |
| | 19 | 1210807 | (10000000- 20000000) Wire, Tie [W/.25" Fir Tree Clip] | 1 |
| | 20 | 130773 | (10000000- 20000000) Tie, Cable, Nyl, 11.0l, .14w, 3.0 Max. D | 2 |
| | 21 | 9014145 | (10000000- 11089941) Hose, Afmkt, Pe, .375id .50od, 05ft | 1 |
| | 22 | 1212858 | (10000000- 11089941) Fitting, Plstc, Tee, Qf08/Qf08/Qf08 | 1 |
| | 23 | 09746 | (10000000- 20000000) Screw, Hex, M10 X 1.50 X 90, Ss | 2 |
| | 24 | 01684 | (10000000- 20000000) Washer, Flat, 0.27b 0.69d .05, Ss | 8 |
| | 25 | 08712 | (10000000- 20000000) Nut, Hex, Lock, M6 X 1.00, NI, Ss | 8 |
| | 26 | 1014328 | (10000000- 20000000) Key, Sq, 05mm X 05mm, 25mml | 2 |
| | 27 | 1071637 | (10000000- 20000000) Hub, Drive, Brush, Disk, 17mmb | 2 |
| | 28 | 1017218 | (10000000- 20000000) Washer, Flat, 0.32b 1.00d .12, Ss | 2 |
| | 29 | 12273 | (10000000- 20000000) Screw, Hex, M8 X 1.25 X 20, NI, Ss | 2 |
| | 30 | 1227867 | (10000000- 20000000) Inductor, Ferrite [Split Case,407@100hz] (Canada Only) | 4 |
| | 31 | 1232325 | (10000000- 20000000) Bumper, Head, 70cm, Skirt, Im | 1 |
| | 32 | 1006416 | (11089942- 20000000) Hose, Afmkt, Pvc, Clr, 0.38id, 03ft | 1 |
| | 33 | 1247259 | (11089942- 20000000) Fitting, Plstc, Tee, Bm06/Bm06/Bm06, Pyp | 1 |

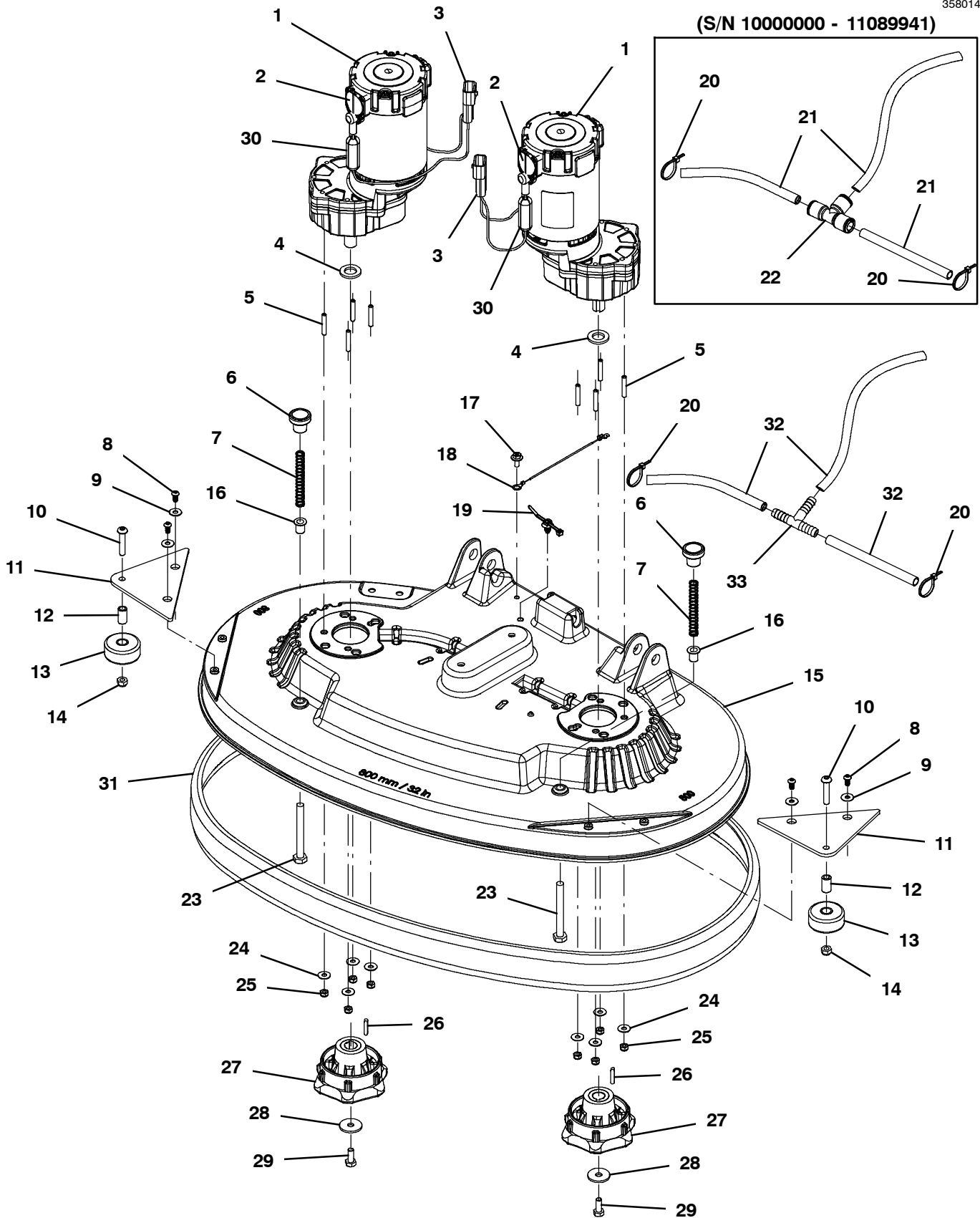
▽ ASSEMBLY

▲ INCLUDED IN ASSEMBLY

SCRUB HEAD GROUP, DISK 800MM / 32IN

358014

(S/N 10000000 - 11089941)



SCRUB HEAD GROUP, DISK 800MM / 32IN

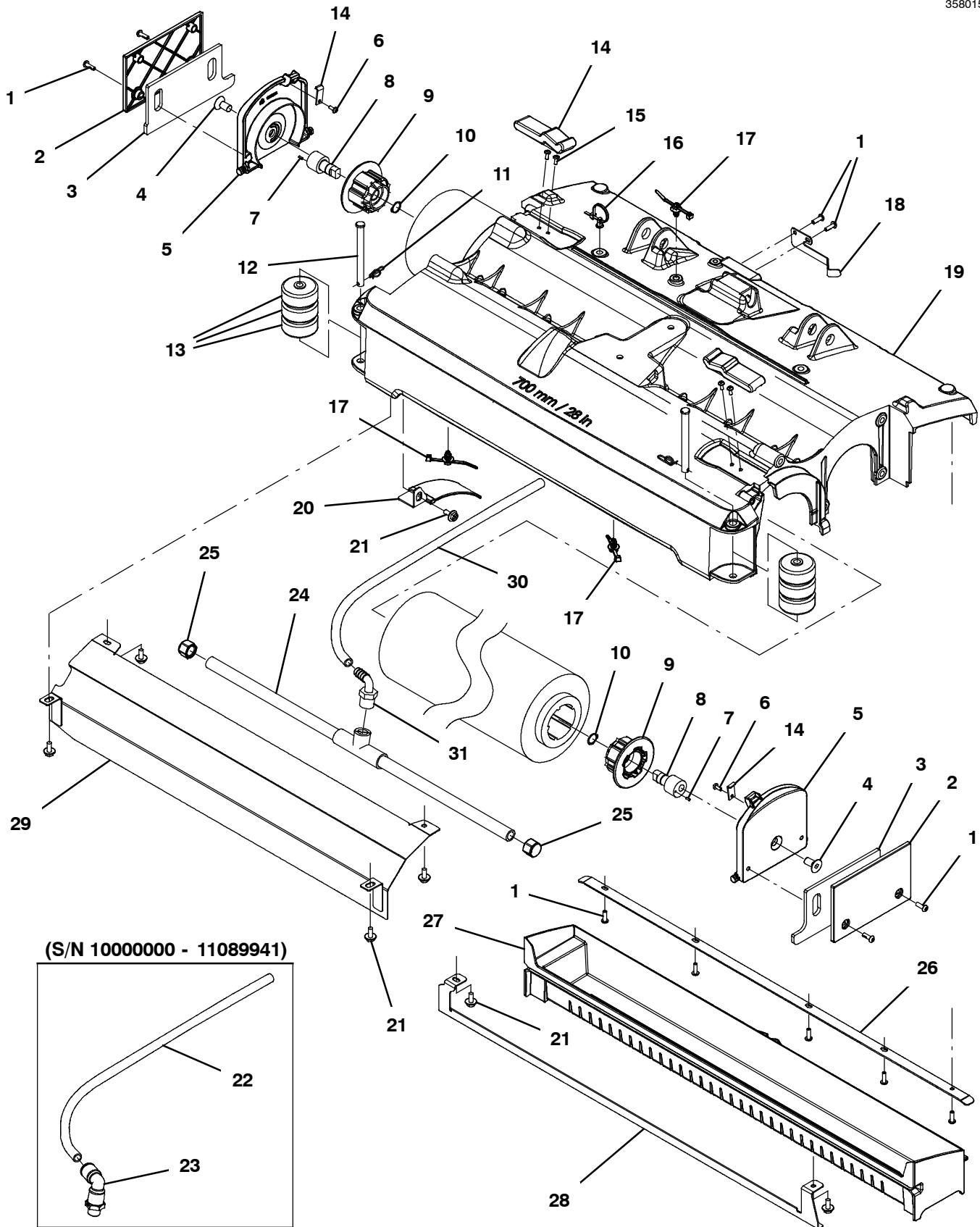
| Ref. | Part No. | Serial Number | Description | Qty. |
|------|----------|---------------|--|------|
| ▽ | 1 | 1023067 | (10000000- 20000000) Motor, Ele, 24vdc 0220rpm 0.75hp Gear (Canada Also Requires Qty 2 Ferrite #1227867) | 2 |
| ▲ | 2 | 1031775 | (10000000- 20000000) Brush Kit, Carbon, Motor, Replmt [T5] | 1 |
| ▲ | 3 | 1031681 | (10000000- 20000000) Harness, Connector, Brush- Motor [T5] Us | 1 |
| | 4 | 1022549 | (10000000- 20000000) Spacer, Shaft, 17.15b 30.0d 3.0l, Ss | 2 |
| | 5 | 1025853 | (10000000- 20000000) Screw, Set, M6 X 1.00 X 35, NI, Ss | 8 |
| | 6 | 1222988 | (10000000- 20000000) Knob, Rnd, 31.0d 27.0l M10, Plstc | 2 |
| | 7 | 626081 | (10000000- 20000000) Spring, Cmpr, 0.48od .04wir 03.5l | 2 |
| | 8 | 1227865 | (10000000- 20000000) Screw, Trs, M6 X 1.0 X 12, Phl, Ss, NI | 4 |
| | 9 | 01684 | (10000000- 20000000) Washer, Flat, 0.27b 0.69d .05, Ss | 4 |
| | 10 | 397826 | (10000000- 20000000) Screw, Btn, M8 X 1.25 X 40, Ss | 2 |
| | 11 | 1227709 | (10000000- 20000000) Bracket, Roller, Wall | 2 |
| | 12 | 222496 | (10000000- 20000000) Sleeve, P/M, 0.32b 0.50d 0.9l [430ss] | 2 |
| | 13 | 222403 | (10000000- 20000000) Wheel, 02.0d 0.88w 0.50b | 2 |
| | 14 | 08713 | (10000000- 20000000) Nut, Hex, Lock, M8 X 1.25, NI, Ss | 2 |
| ▽ | 15 | 9018823 | (10000000- 20000000) Housing, Disc, 80cm, Afmkt [T600, Na,Ce] | 1 |
| ▲ | 16 | 1247152 | (10000000- 20000000) Bushing, Flng, 10mmb 12mmd 17mml | 2 |
| | 17 | 1034731 | (10000000- 20000000) Screw, Hex, M6 X 1.00 X 16, Sems, Ss | 1 |
| | 18 | 1074344 | (10000000- 20000000) Harness, Ele [Ring With .250m Tail] | 1 |
| | 19 | 1210807 | (10000000- 20000000) Wire, Tie [W/.25" Fir Tree Clip] | 1 |
| | 20 | 130773 | (10000000- 20000000) Tie, Cable, Nyl, 11.0l, .14w, 3.0 Max. D | 2 |
| | 21 | 9014145 | (10000000- 11089941) Hose, Afmkt, Pe, .375id .50od, 05ft | 1 |
| | 22 | 1212858 | (10000000- 11089941) Fitting, Plstc, Tee, Qf08/Qf08/Qf08 | 1 |
| | 23 | 09746 | (10000000- 20000000) Screw, Hex, M10 X 1.50 X 90, Ss | 2 |
| | 24 | 01684 | (10000000- 20000000) Washer, Flat, 0.27b 0.69d .05, Ss | 8 |
| | 25 | 08712 | (10000000- 20000000) Nut, Hex, Lock, M6 X 1.00, NI, Ss | 8 |
| | 26 | 1014328 | (10000000- 20000000) Key, Sq, 05mm X 05mm, 25mml | 2 |
| | 27 | 1071637 | (10000000- 20000000) Hub, Drive, Brush, Disk, 17mmb | 2 |
| | 28 | 1017218 | (10000000- 20000000) Washer, Flat, 0.32b 1.00d .12, Ss | 2 |
| | 29 | 12273 | (10000000- 20000000) Screw, Hex, M8 X 1.25 X 20, NI, Ss | 2 |
| | 30 | 1227867 | (10000000- 20000000) Inductor, Ferrite [Split Case,407@100hz] (Canada Only) | 4 |
| | 31 | 1232326 | (10000000- 20000000) Bumper, Head, 80cm, Skirt, Im | 1 |
| | 32 | 1006416 | (11089942- 20000000) Hose, Afmkt, Pvc, Clr, 0.38id, 03ft | 1 |
| | 33 | 1247259 | (11089942- 20000000) Fitting, Plstc, Tee, Bm06/Bm06/Bm06, Pyp | 1 |

▽ ASSEMBLY

▲ INCLUDED IN ASSEMBLY

SCRUB HEAD GROUP, CYLINDRICAL 700MM / 28IN

358015

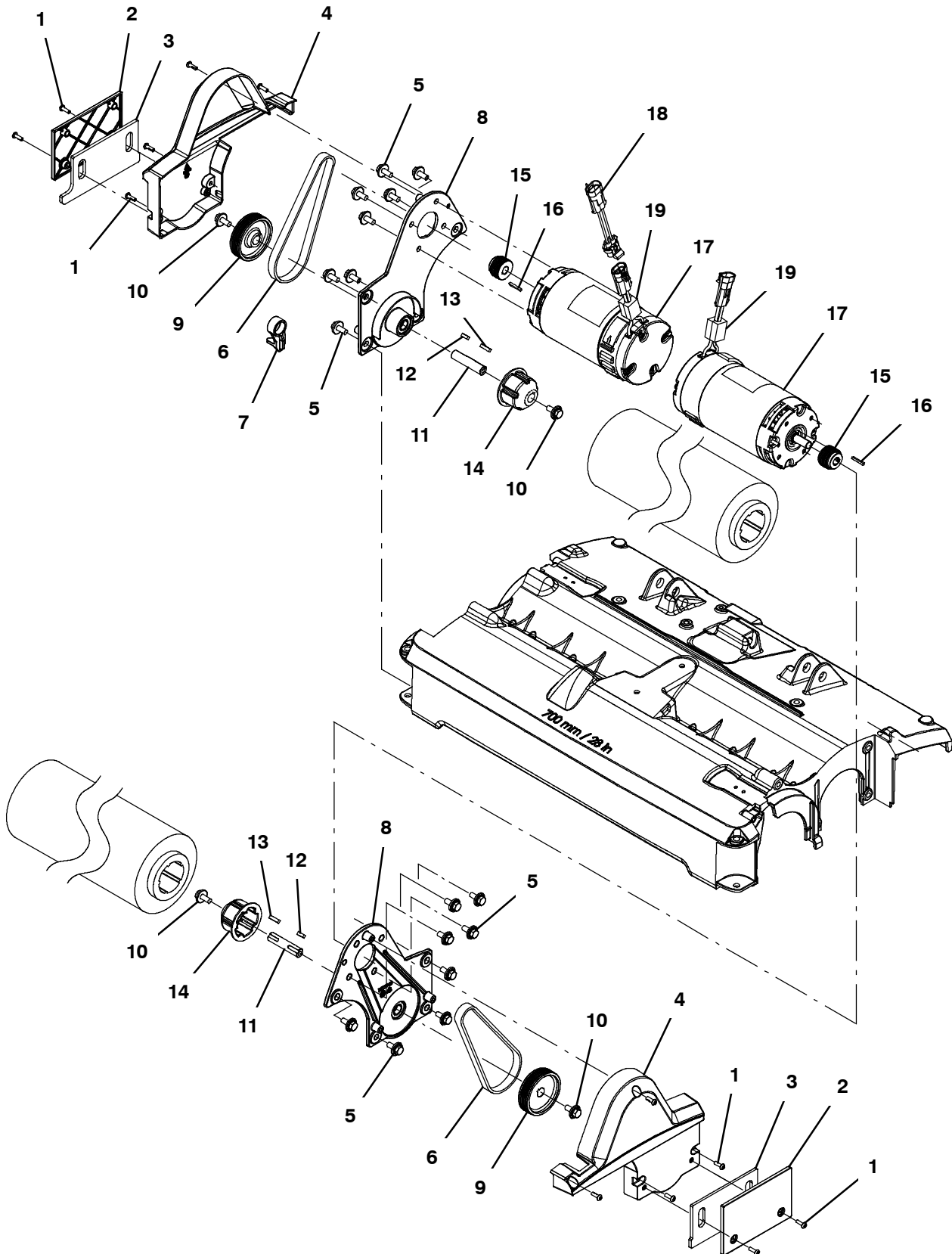


SCRUB HEAD GROUP, CYLINDRICAL 700MM / 28IN

| Ref. | Part No. | Serial Number | Description | Qty. |
|------|----------|---------------------|--|------|
| 1 | 1205799 | (10000000-20000000) | Screw, Btn, M5 X 0.8 X 16, 8.8, NI, Torx | 2 |
| 2 | 1218032 | (10000000-20000000) | Cover, Skirt, 2cyl [T500] | 2 |
| 3 | 1218573 | (10000000-20000000) | Skirt, Side, Scrb, Cyl [T500] | 2 |
| 4 | 390996 | (10000000-20000000) | Screw, Flt, Soc, M10 X 1.50 X 20, 10.9, NI | 2 |
| 5 | 1218692 | (10000000-20000000) | Door, Brush, 2cyl [Machined, T500] | 1 |
| 6 | 49697 | (10000000-20000000) | Screw, Pan, Phl, M4 X 0.70 X 10, Ss | 6 |
| 7 | 222184 | (10000000-20000000) | Pin, Roll, .094d X 0.25l, .094/.097 | 2 |
| 8 | 222177 | (10000000-20000000) | Shaft, Plug, Idler | 2 |
| 9 | 1057629 | (10000000-20000000) | Plug, Idler, Brush [Sgl Brg] | 2 |
| 10 | 01516 | (10000000-20000000) | Ring, Retaining, Ext, 0.59d, Basic | 2 |
| 11 | 1216647 | (10000000-20000000) | Pin, Cotter, Hair, 0.38d .054 Wir | 2 |
| 12 | 49914 | (10000000-20000000) | Pin, Clevis, 0.37d X 4.00l | 2 |
| 13 | 630477 | (10000000-20000000) | Wheel, Pyu, 02.0d 0.38w, Gray | 6 |
| 14 | 1207285 | (10000000-20000000) | Latch, Draw, Rbr, W/ Keeper, Yellow | 2 |
| 15 | 49697 | (10000000-20000000) | Screw, Pan, Phl, M4 X 0.70 X 10, Ss | 6 |
| 16 | 1221161 | (10000000-20000000) | Tie, Cable, Nyl, Push Mount, 76mm Max D | 1 |
| 17 | 1210807 | (10000000-20000000) | Wire, Tie [W/.25" Fir Tree Clip] | 3 |
| 18 | 1218242 | (10000000-20000000) | Bracket, Spring, Tray, Debris [T500] | 1 |
| 19 | 1217942 | (10000000-20000000) | Housing, Cyl, 70cm [Machined] | 1 |
| 20 | 1029358 | (10000000-20000000) | Deflector, Water, Cyl Head | 1 |
| 21 | 1034731 | (10000000-20000000) | Screw, Hex, M6 X 1.00 X 16, Sems, Ss | 7 |
| 22 | 9014145 | (10000000-11089941) | Hose, Afmkt, Pe, .375id .50od, 05ft | 1 |
| 23 | 1212987 | (10000000-11089941) | Fitting, Plstc, E90, Qf08/Pm06, Swivel | 1 |
| 24 | 1046049 | (10000000-20000000) | Tube Assy, Bar, Spray, 70cm [T5, 5680] | 1 |
| 25 | 1025580 | (10000000-20000000) | Fitting, Pipe, Cap, P06, Nyl | 2 |
| 26 | 1218153 | (10000000-20000000) | Bracket, Tray, Debris [T500] | 1 |
| 27 | 1218144 | (10000000-20000000) | Tray, Debris, 700mm [lm] [Rhine] | 1 |
| 28 | 1218577 | (10000000-20000000) | Bracket, Slide, Tray, Debris | 1 |
| 29 | 1219969 | (10000000-20000000) | Panel Wldt, Wrap, Brush [T500] | 1 |
| 30 | 1006416 | (11089942-20000000) | Hose, Afmkt, Pvc, Clr, 0.38id, 03ft | 1 |
| 31 | 1005630 | (11089942-20000000) | Fitting, Plstc, E90, Bm06/Pm06, Nyl | 1 |

SCRUB HEAD GROUP, CYLINDRICAL 700MM / 28IN - CONT'D

355430



SCRUB HEAD GROUP, CYLINDRICAL 700MM / 28IN - CONT'D

| Ref. | Part No. | Serial Number | Description | Qty. | |
|------|----------|-----------------------|--|--|---|
| 1 | 1205799 | (10000000- 20000000) | Screw, Btn, M5 X 0.8 X 16, 8.8, NI, Torx | 12 | |
| 2 | 1218032 | (10000000- 20000000) | Cover, Skirt, 2cyl [T500] | 2 | |
| 3 | 1218573 | (10000000- 20000000) | Skirt, Side, Scrub, Cyl [T500] | 2 | |
| 4 | 1218012 | (10000000- 20000000) | Cover, Belt, 2 Cyl [T500] | 2 | |
| 5 | 1020341 | (10000000- 20000000) | Screw, Hex, M8 X 1.25 X 20, Ss, Sems | 16 | |
| ▽ | 6 | 9015765 | (10000000- 20000000) | Belt Replacement Kit (Cylindrical) | 1 |
| ▲ | | 1035888 | (10000000- 20000000) | Belt, Drive, 6grv, 508 L X 14 W, [6pj] | 2 |
| ▲ | 7 | 1203758 | (10000000- 20000000) | Tool, Installation, Belt | 1 |
| ▽ | 8 | 9018012 | (10000000- 20000000) | Bracket Assy, Motor, Ci (Includes Bearings And Tube - Not Available Separately) | 2 |
| ▲ | 9 | 1035173 | (10000000- 20000000) | Sheave, 06grv, 2.96pd 0.59b, Alm [Pj] | 1 |
| ▲ | 10 | 1020341 | (10000000- 20000000) | Screw, Hex, M8 X 1.25 X 20, Ss, Sems | 2 |
| ▲ | 11 | 1021050 | (10000000- 20000000) | Shaft, Drive, 15.0d X 65.5l [T5, 1610] | 1 |
| ▲ | 12 | 00961 | (10000000- 20000000) | Key, Sq, 0.19 X 0.19, 0.50l | 1 |
| ▲ | 13 | 00911 | (10000000- 20000000) | Key, Sq, 0.19 X 0.19, 0.75l | 1 |
| ▲ | 14 | 378805 | (10000000- 20000000) | Plug, Drive, Brush, Mach | 1 |
| | 15 | 1033528 | (10000000- 20000000) | Sheave, 06grv, 1.33pd 0.50b, Alm [Pj] | 2 |
| | 16 | 00954 | (10000000- 20000000) | Key, Sq, 0.12 X 0.12, 1.00l | 2 |
| ▽ | 17 | 1223429 | (10000000- 20000000) | Motor, Ele, 24vdc 1500rpm 0.60hp (Canada Also Requires Qty 1 Ferrite #1065665) | 2 |
| ▲ | | 1031775 | (10000000- 20000000) | Brush Kit, Carbon, Motor, Replmt [T5] | 1 |
| | 18 | 1052895 | (10000000- 20000000) | Harness, Adapter, Motor [T7/T5] | 1 |
| | 19 | 1065665 | (10000000- 20000000) | Inductor, 32.3mml [Ferrite 10- 250mhz] (Canada Only) | 2 |

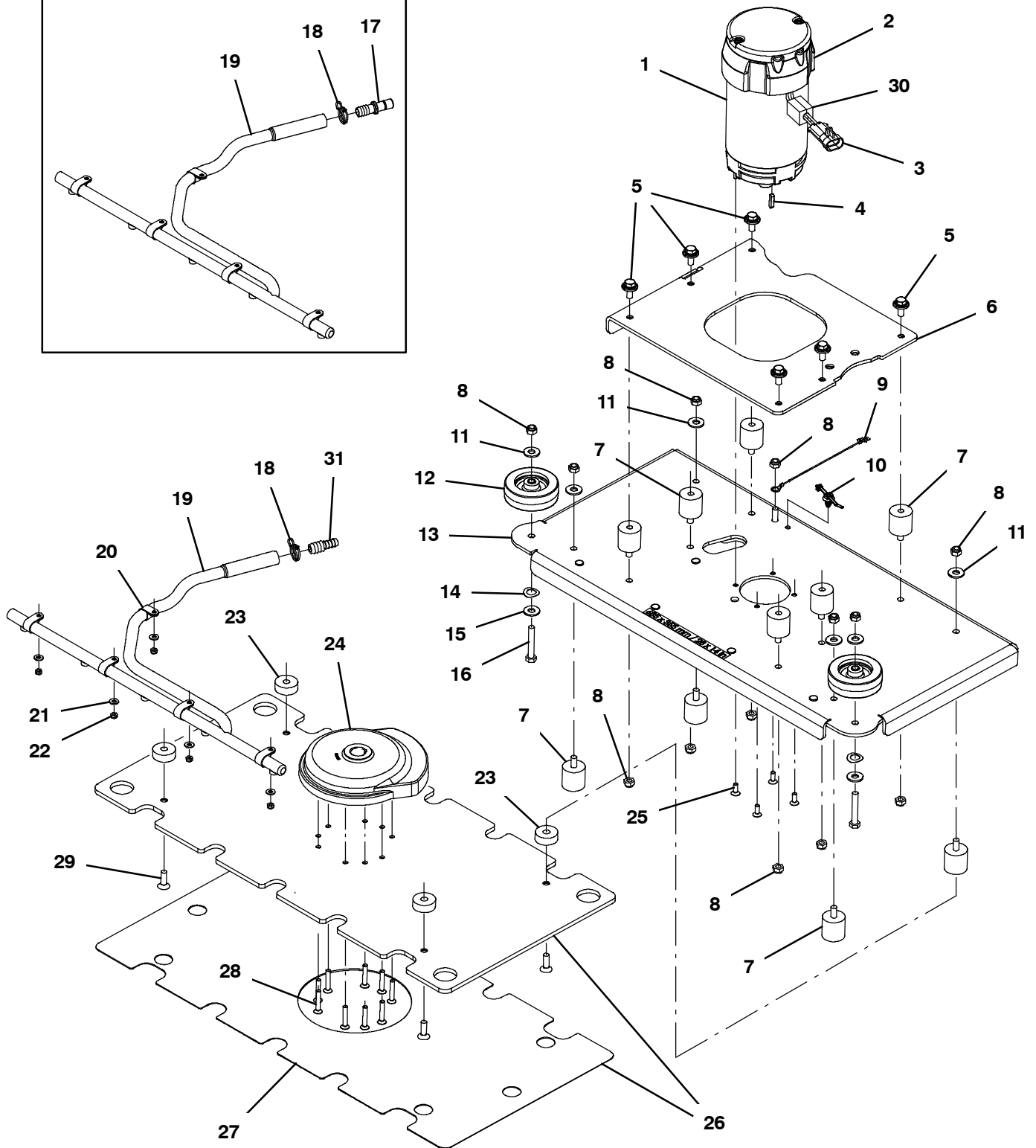
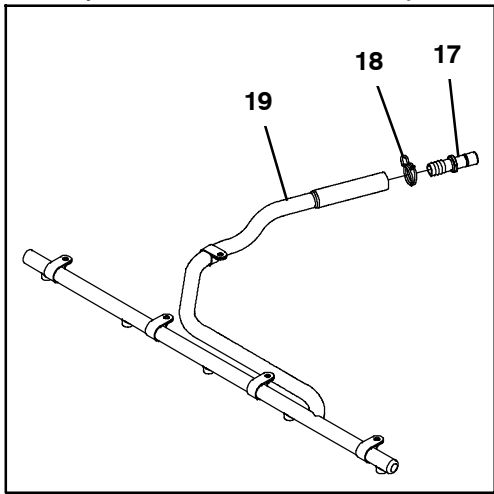
▽ ASSEMBLY

▲ INCLUDED IN ASSEMBLY

SCRUB HEAD GROUP, ORBITAL 700MM / 28IN

358016

(S/N 1000000 - 11089941)



SCRUB HEAD GROUP, ORBITAL 700MM / 28IN

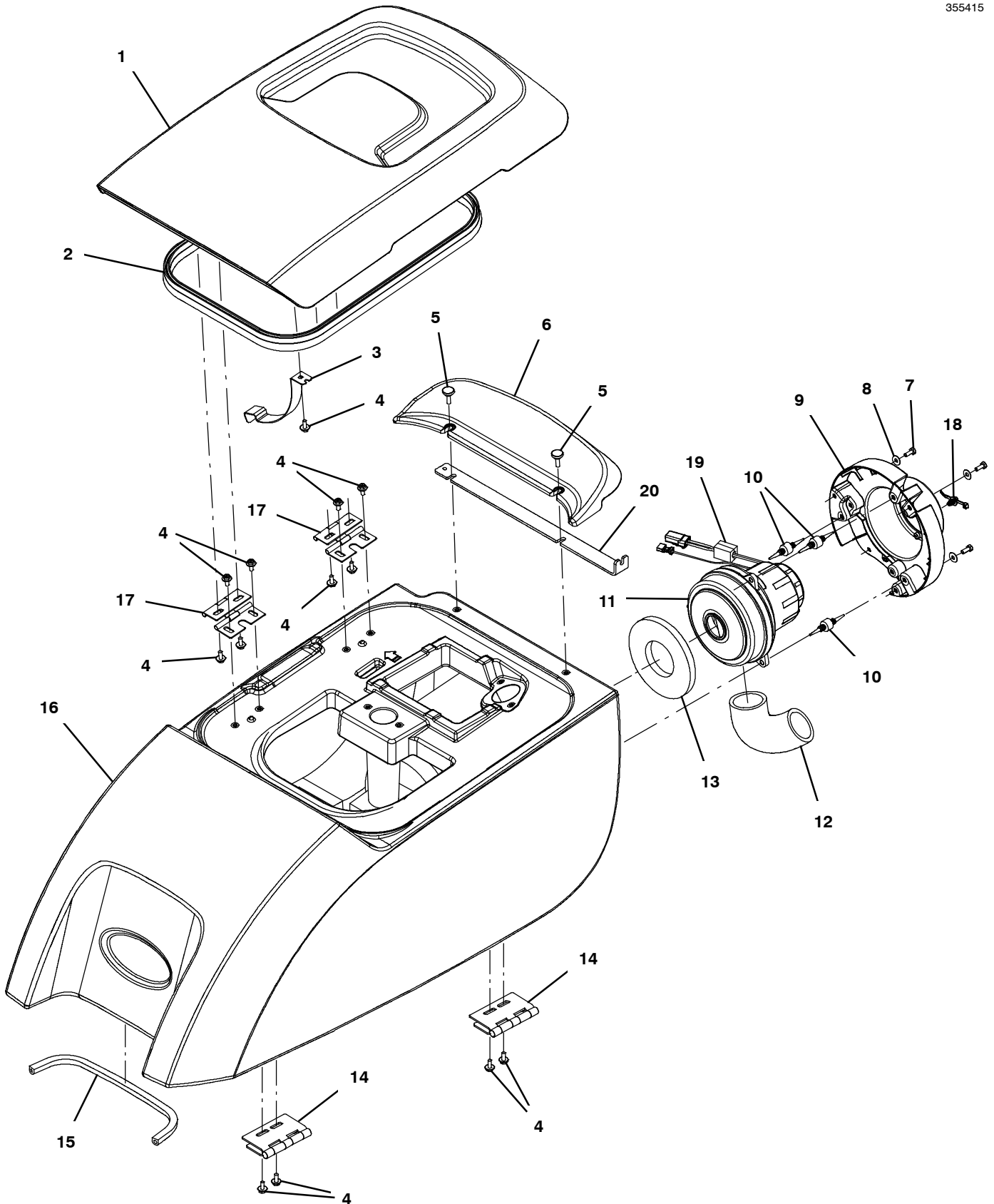
| Ref. | Part No. | Serial Number | Description | Qty. |
|------|----------|---------------|---|------|
| ▽ | 1 | 1219913 | (10000000- 20000000) Motor, Ele, 24vdc, 2200rpm, 0.75hp 28.0a (Canada Also Requires Qty 1 Ferrite #1065665) | 1 |
| ▲ | 2 | 1059370 | (10000000- 20000000) Brush, Motor, Replmt [Bag Of 4] | 1 |
| ▲ | 3 | 1031681 | (10000000- 20000000) Harness, Connector, Brush- Motor [T5] Us | 1 |
| | 4 | 1231238 | (10000000- 20000000) Key, Sq, 5mm X 5mm X 22mm | 1 |
| | 5 | 1020341 | (10000000- 20000000) Screw, Hex, M8 X 1.25 X 20, Ss, Sems | 6 |
| | 6 | 1220910 | (10000000- 20000000) Bracket Wldt, Mtg, Head | 1 |
| | 7 | 1212543 | (10000000- 20000000) Isolator, Neoprene, 1.25" X 1.25", M8 | 13 |
| | 8 | 08713 | (10000000- 20000000) Nut, Hex, Lock, M8 X 1.25, NI, Ss | 1 |
| | 9 | 1074344 | (10000000- 20000000) Harness, Ele [Ring With .250m Tail] | 1 |
| | 10 | 1210807 | (10000000- 20000000) Wire, Tie [W/.25" Fir Tree Clip] | 1 |
| | 11 | 01685 | (10000000- 20000000) Washer, Flat, 0.38b 0.88d .08, Ss | 6 |
| | 12 | 1014918 | (10000000- 20000000) Wheel, 03.0d 0.88w 0.31b, W/ Bshg, Rbr | 2 |
| | 13 | 1221766 | (10000000- 20000000) Housing Wldt, Brush | 1 |
| | 14 | 1210221 | (10000000- 20000000) Washer, Wave, .515b, .875d, .013, Ss | 2 |
| | 15 | 01685 | (10000000- 20000000) Washer, Flat, 0.38b 0.88d .08, Ss | 2 |
| | 16 | 49694 | (10000000- 20000000) Screw, Hex, M8 X 1.25 X 50, Ss | 2 |
| | 17 | 1212807 | (10000000- 11089941) Fitting, Plstc, Str, Qm08/Bm08 | 1 |
| | 18 | 607776 | (10000000- 20000000) Clamp, Hose, Wir, .73 - .77, Silver | 1 |
| | 19 | 1234853 | (10000000- 20000000) Manifold, Bar, Spray [28in] | 1 |
| | 20 | 140916 | (10000000- 20000000) Clamp, Cable, Nyl, 0.62d, Nat | 5 |
| | 21 | 01683 | (10000000- 20000000) Washer, Flat, 10, Ss | 4 |
| | 22 | 09739 | (10000000- 20000000) Nut, Hex, Lock, M5 X 0.80, NI, Ss | 4 |
| | 23 | 1221850 | (10000000- 20000000) Spacer, Head | 4 |
| | 24 | 9015774 | (10000000- 20000000) Eccentric Drive Kit, Orbital | 1 |
| | 25 | 09163 | (10000000- 20000000) Screw, Flt, Soc, M6 X 1.00 X 16, 18- 8,Ss | 4 |
| ▽ | 26 | 9015416 | (10000000- 20000000) Driver Kit, Pad, Ci [T500] (Includes Driver Plate, Driver Face, & Red Buffing Pad) | 1 |
| ▲ | 27 | 1220627 | (10000000- 20000000) Face, Pad Driver | 1 |
| | 28 | 1212710 | (10000000- 20000000) Screw, Flt, Soc, M6 X 1.00 X 35, 10.9,NI | 6 |
| | 29 | 74077 | (10000000- 20000000) Screw, Flt, Soc, M8 X 1.25 X 25, Ss | 4 |
| | 30 | 1065665 | (10000000- 20000000) Inductor, 32.3mml [Ferrite 10- 250mhz] (Canada Only) | 1 |
| | 31 | 222375 | (11089942- 20000000) Fitting, Plstc, Str, Bm06/Bm08 | 1 |

▽ ASSEMBLY

▲ INCLUDED IN ASSEMBLY

RECOVERY TANK GROUP

355415



RECOVERY TANK GROUP

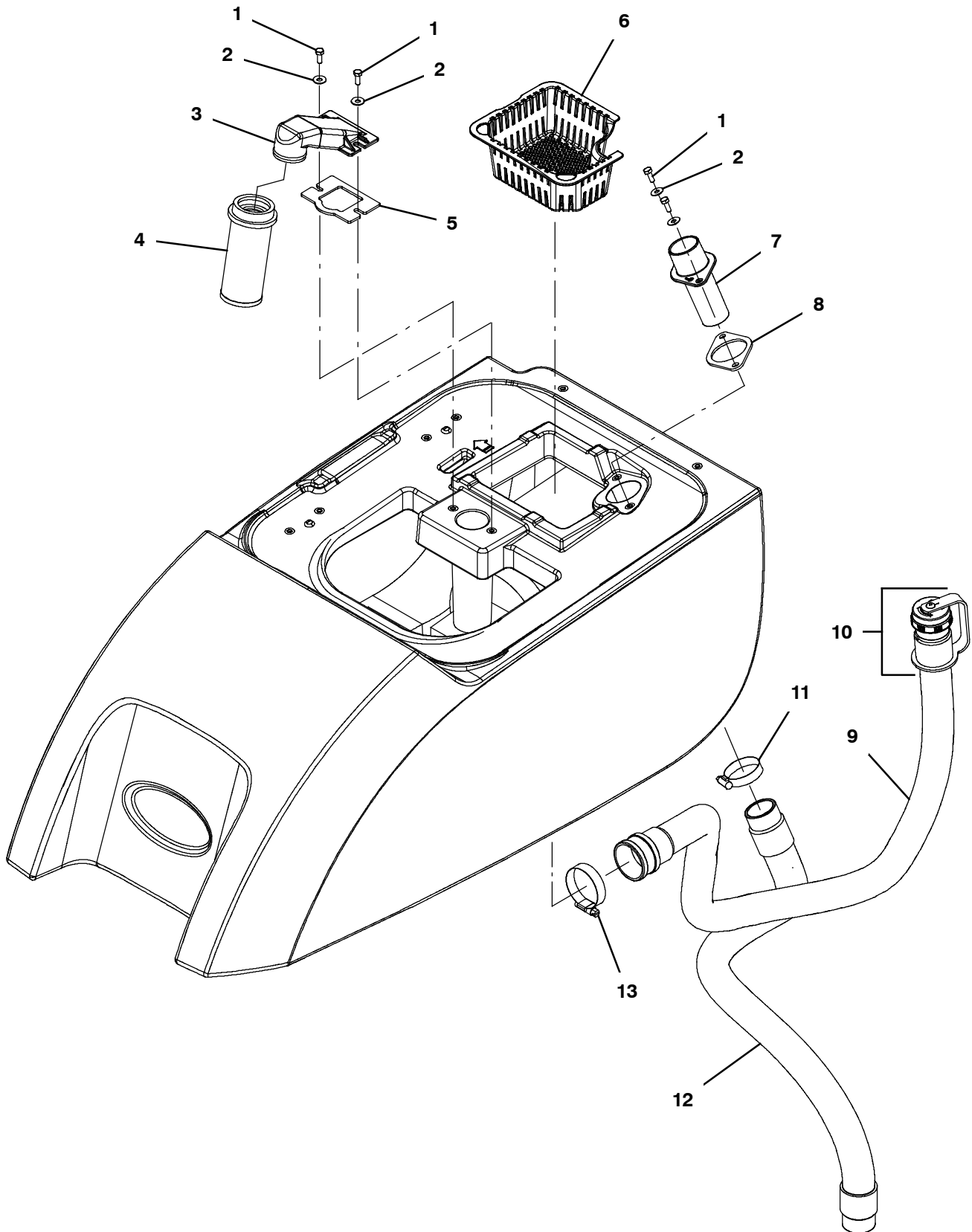
| | Ref. | Part No. | Serial Number | Description | Qty. |
|---|------|----------|-----------------------|---|------|
| ▽ | 1 | 9015750 | (10000000- 20000000) | Kit, Cover, Recvy, Ci [Na,T500] | 1 |
| ▲ | 2 | 9015756 | (10000000- 20000000) | Seal, Cover, Recvy, Ci [T500] | 1 |
| | 3 | 1219333 | (10000000- 20000000) | Support, Lid, Recvy Tank | 1 |
| | 4 | 1034731 | (10000000- 20000000) | Screw, Hex, M6 X 1.00 X 16, Sems, Ss | 12 |
| | 5 | 1046631 | (10000000- 20000000) | Knob, Rnd, 19.4d 7.6l M6 X 20, Plstc, PI | 2 |
| | 6 | 1223499 | (10000000- 20000000) | Shield, Spray, Recvy Tank | 1 |
| | 7 | 11329 | (10000000- 20000000) | Screw, Hex, M6 X 1.00 X 16, NI, Ss | 3 |
| | 8 | 01684 | (10000000- 20000000) | Washer, Flat, 0.27b 0.69d .05, Ss | 3 |
| | 9 | 1207368 | (10000000- 20000000) | Mount, Vacfan, 5.7/6.6 | 1 |
| | 10 | 1062016 | (10000000- 20000000) | Isolator, Vib, .75d | 3 |
| ▽ | 11 | 1226905 | (10000000- 20000000) | Fan, Vacuum, 6.6d, 024vdc, 2 Stage (Canada Also Requires Qty 1 Ferrite #1065665) | 1 |
| ▲ | | 1206774 | (10000000- 20000000) | Vr, Brush Kit, Motor, Fan | 1 |
| | 12 | 1068577 | (10000000- 20000000) | Muffler, Exhaust, Vacfan, 150mml [T2/T3] | 1 |
| | 13 | 100038 | (10000000- 20000000) | Gasket, .50, 02.63id 05.75od, Adh [Epdm] | 1 |
| | 14 | 1217669 | (10000000- 20000000) | Hinge Assy, 7.0 Pin, 11 Ga, 100l X 105w | 2 |
| | 15 | 9015757 | (10000000- 20000000) | Seal, Tank, Recvy, Ci [T500/T500e] | 1 |
| | 16 | 9015760 | (10000000- 20000000) | Kit, Tank, Recvy, Ci [T500] | 1 |
| | 17 | 1219334 | (10000000- 20000000) | Hinge, 4mm Pin, 2.0thk X 83.0mmw, 3 Leaf | 2 |
| | 18 | 1210807 | (10000000- 20000000) | Wire, Tie [W/.25" Fir Tree Clip] | 1 |
| | 19 | 1065665 | (10000000- 20000000) | Inductor, 32.3mml [Ferrite 10- 250mhz] (Canada Only) | 1 |
| | 20 | 1253003 | (11010147- 20000000) | Bracket, Hanger, Sqge, Top [T500] | 1 |

▽ ASSEMBLY

▲ INCLUDED IN ASSEMBLY

RECOVERY TANK FILTER AND HOSE GROUP, STANDARD SCREW CAP

355416



RECOVERY TANK FILTER AND HOSE GROUP, STANDARD SCREW CAP

| Ref. | Part No. | Serial Number | Description | Qty. |
|------|----------|-----------------------|--|------|
| 1 | 11329 | (10000000- 20000000) | Screw, Hex, M6 X 1.00 X 16, NI, Ss | 2 |
| 2 | 01684 | (10000000- 20000000) | Washer, Flat, 0.27b 0.69d .05, Ss | 2 |
| 3 | 1011777 | (10000000- 20000000) | Mount, Float, Mold | 1 |
| 4 | 630052 | (10000000- 20000000) | Float, Shut- Off, (2)Ball, 1.75d | 1 |
| 5 | 1013628 | (10000000- 20000000) | Gasket, Mtg, Float, .125th, Neo, Adh | 1 |
| 6 | 1207357 | (10000000- 20000000) | Tray, Debris, Tank, Recvy [T300] | 1 |
| 7 | 1219618 | (10000000- 20000000) | Tube, Hose, Adapter, 1.5d [T500] | 1 |
| 8 | 1037106 | (10000000- 20000000) | Gasket, Adapter, Hose .13, Neo | 1 |
| ▽ | 9 | 1250482 | (10984821- 20000000) Hose Assy, Drain, 1.5id X 15.5l [Pvc] (Black - Standard) | 1 |
| ▲▽ | 10 | 1218955 | (10000000- 20000000) Cap, Drain Assy [Black] | 1 |
| ▲▲ | | 1008637 | (10000000- 20000000) Seal, Org, 1.48id 1.76od | 1 |
| ▽ | 9 | 1225793 | (10000000- 10984820) Hose Assy, Drain, 1.5d 016l 1.5/Cap[Pvc] (Black - Std) (Replaced By 1250482) | 1 |
| ▲▽ | 10 | 1218955 | (10000000- 20000000) Cap, Drain Assy [Black] | 1 |
| ▲▲ | | 1008637 | (10000000- 20000000) Seal, Org, 1.48id 1.76od | 1 |
| | 11 | 11531 | (10000000- 20000000) Clamp, Hose, Wormdrive, 1.06- 2.00d, .56w | 1 |
| | 12 | 1211220 | (10000000- 20000000) Hose Assy,W/2cuff,1.5d 022l 1.5/1.5[Pvc] (Black - Std) | 1 |
| | 12 | 1224414 | (10000000- 10984820) Hose Assy, W/2cuff,1.5d 033l 1.5/1.5[Pu] (Gray - Option) (NLA - Replaced By Black PVC Hose 1211220) | 1 |
| | 13 | 22297 | (10000000- 20000000) Clamp, Hose, Wormdrive, 1.56- 2.50d, .50w | 1 |

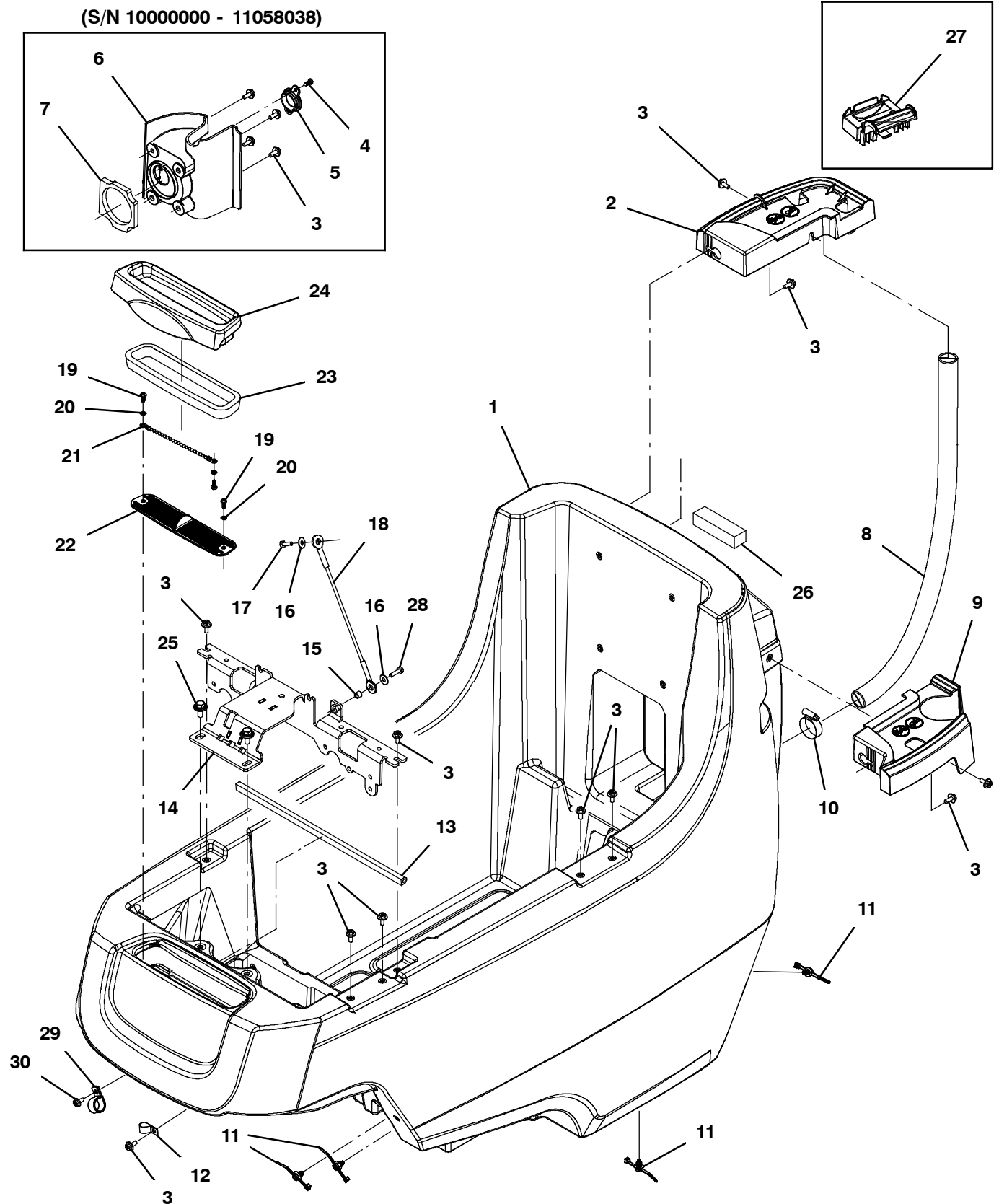
▽ ASSEMBLY

▲ INCLUDED IN ASSEMBLY

SOLUTION TANK GROUP

355414

(S/N 1000000 - 11058038)

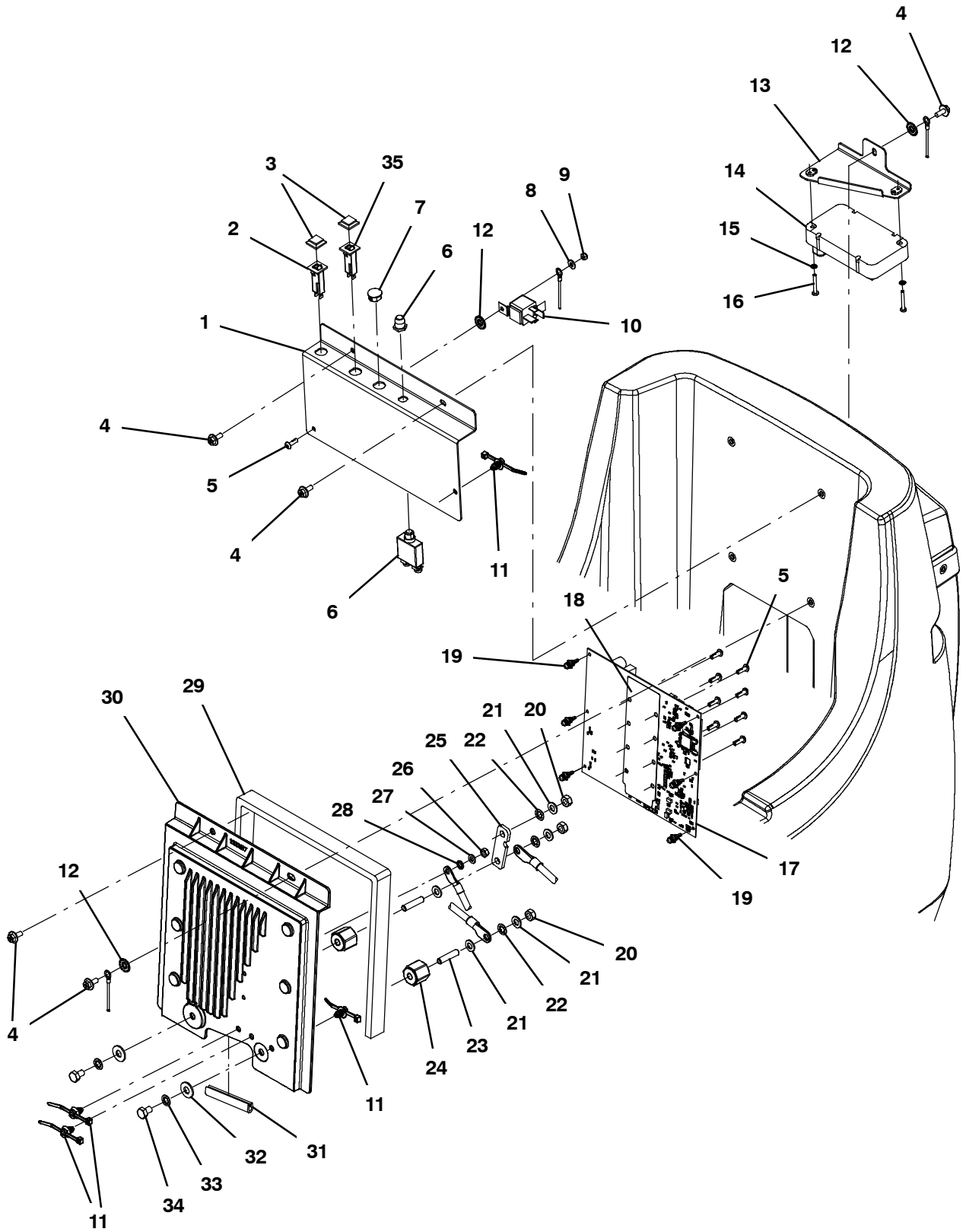


SOLUTION TANK GROUP

| Ref. | Part No. | Serial Number | Description | Qty. |
|------|----------|-----------------------|--|------|
| 1 | 9018023 | (10000000- 20000000) | Tank Kit, Soltn, Ci [T500] | 1 |
| 2 | 1237555 | (10895989- 20000000) | Tray, Accssry, Rh, [T500] | 1 |
| 2 | 1218444 | (10000000- 10895988) | Tray, Accssry, Rh, [Rhine] (Replaced By 1237555) | 1 |
| 3 | 1034731 | (11058039- 20000000) | Screw, Hex, M6 X 1.00 X 16, Sems, Ss | 11 |
| 3 | 1034731 | (10000000- 11058038) | Screw, Hex, M6 X 1.00 X 16, Sems, Ss | 15 |
| 4 | 1018155 | (10000000- 11058038) | Screw, Pan, Phl, M5 X 0.80 X 16, Tcut,Ss | 1 |
| 5 | 1012965 | (10000000- 11058038) | Cap, Port, Soltn Fill | 1 |
| 6 | 1225412 | (10000000- 11058038) | Cover, Standard- Fill | 1 |
| 7 | 1220263 | (10000000- 11058038) | Seal, Bulk Head, Water | 1 |
| 8 | 9015728 | (10000000- 20000000) | Hose Kit, Drain, Soln, Ci [T500/T500e] | 1 |
| 9 | 1218443 | (10000000- 20000000) | Tray, Accssry, Lh, [Rhine] | 1 |
| 10 | 11399 | (10000000- 20000000) | Clamp, Hose, Wormdrive, 0.81- 1.50d, .50w | 1 |
| 11 | 1210807 | (10000000- 20000000) | Wire, Tie [W/.25" Fir Tree Clip] | 4 |
| 12 | 140300 | (10000000- 20000000) | Clamp, Cable, Stl, 0.50d [Insulated] | 1 |
| 13 | 1066431 | (10000000- 20000000) | Seal, Afmkt, Bulb, Dual, 03ft [F/.30gap] | 1 |
| 14 | 1221012 | (10000000- 20000000) | Bracket Wldt, Actuator | 1 |
| 15 | 140154 | (10000000- 20000000) | Sleeve, P/M, 0.25b 0.38d 0.3l, PI | 1 |
| 16 | 01684 | (10000000- 20000000) | Washer, Flat, 0.27b 0.69d .05, Ss | 2 |
| 17 | 11329 | (10000000- 20000000) | Screw, Hex, M6 X 1.00 X 16, NI, Ss | 1 |
| 18 | 1221803 | (10000000- 20000000) | Cable, Glv .13d 10.5l .38eye /.38eye | 1 |
| 19 | 1018155 | (10000000- 20000000) | Screw, Pan, Phl, M5 X 0.80 X 16, Tcut,Ss | 3 |
| 20 | 07514 | (10000000- 20000000) | Washer, Lock, Int, 10, Ss | 3 |
| 21 | 621443 | (10000000- 20000000) | Chain, Ball, 10, 0157mml, Ss | 1 |
| 22 | 1219917 | (10000000- 20000000) | Screen, Fltr, 2.0 X 8.7 | 1 |
| 23 | 9015758 | (10000000- 20000000) | Seal, Tank, Soltn, Ci [T500/T500e] | 1 |
| 24 | 1218043 | (10000000- 20000000) | Cover, Fill, Front | 1 |
| 24 | 9015759 | (10000000- 20000000) | Kit, Cover, Fill [T500/T500e] (ec- H2O Models) | 1 |
| 25 | 1020341 | (10000000- 20000000) | Screw, Hex, M8 X 1.25 X 20, Ss, Sems | 2 |
| 26 | 1229734 | (10000000- 20000000) | Seal, Neo, 0.88, 1.00w 3.6l Adh | 1 |
| 27 | 1214292 | (10000000- MAY2022) | Bracket, Hanger, Rail, Lrg (Option - No Longer Available) | 1 |
| 28 | 12277 | (10000000- 20000000) | Screw, Hex, M6 X 1.00 X 20, NI, Ss | 1 |
| 29 | 40678- 1 | (10000000- 20000000) | Clamp, Cable, Stl, 0.88d X 0.62w, 1hole (Models w/out ABW Option) | 1 |
| 30 | 1034731 | (10000000- 20000000) | Screw, Hex, M6 X 1.00 X 16, Sems, Ss (Models w/out ABW Option) | 1 |

ELECTRICAL PANEL GROUP

355442



ELECTRICAL PANEL GROUP

| Ref. | Part No. | Serial Number | Description | Qty. | |
|------|----------|-----------------------|--|---|---|
| 1 | 1218761 | (10000000- 20000000) | Bracket, Mtg [Circuitbreakers- T500] | 1 | |
| 2 | 1208816 | (10000000- 20000000) | Circuitbreaker, 04.0a, Resetable | 1 | |
| 3 | 1064191 | (10000000- 20000000) | Boot, Circuitbreaker | 2 | |
| 4 | 1034731 | (10000000- 20000000) | Screw, Hex, M6 X 1.00 X 16, Sems, Ss | 5 | |
| 5 | 1205799 | (10000000- 20000000) | Screw, Btn, M5 X 0.8 X 16, 8.8, NI, Torx | 9 | |
| 6 | 383729 | (10000000- 20000000) | Circuitbreaker, 60.0a | 1 | |
| 7 | 1058340 | (10000000- 20000000) | Plug, Hole, Rnd, 0.63h 0.1l, Blk (Models without Spray Wand Option) | 1 | |
| 8 | 01683 | (10000000- 20000000) | Washer, Flat, 10, Ss | 1 | |
| 9 | 09739 | (10000000- 20000000) | Nut, Hex, Lock, M5 X 0.80, NI, Ss | 1 | |
| 10 | 1228510 | (10000000- 20000000) | Relay, 24vdc, 80a, Spst No, Plug- In | 1 | |
| 11 | 1210807 | (10000000- 20000000) | Wire, Tie [W/.25" Fir Tree Clip] | 4 | |
| 12 | 41140 | (10000000- 20000000) | Washer, Lock, Int- Ext, 0.25 | 3 | |
| 13 | 1223824 | (10000000- 20000000) | Bracket Wldt, Mtg, Cntrl, [T300/T300e] | 1 | |
| 14 | 9015776* | (10000000- 20000000) | Drive Module Kit, Ci | 1 | |
| 15 | 02938 | (10000000- 20000000) | Washer, Lock, Int, 08, Ss | 2 | |
| 16 | 33931 | (10000000- 20000000) | Screw, Pan, Phl, M4 X 0.70 X 30, Ss | 2 | |
| ▽ | 17 | 9015784 | (10000000- 20000000) | Kit, Control Board, Ci [T500] | 1 |
| ▲ | | 27964 | (10000000- 20000000) | Strap, Ground, Static, Disposable | 1 |
| ▲ | | 1071235 | (10000000- 20000000) | Cable [Usb, 2m, A- Male To Mini- B- Male] | 1 |
| 18 | 1220930 | (10000000- 20000000) | Circuitboard, Silpad [T500, Main Scrub] | 1 | |
| 19 | 1209448 | (10000000- 20000000) | Standoff, Circuitboard, .25 | 1 | |
| 20 | 41361 | (10000000- 20000000) | Nut, Hex, Std, M8 X 1.25, Brs | 6 | |
| 21 | 1209373 | (10000000- 20000000) | Washer, Flat, M8.4b X 16d X 1.6, Brs | 3 | |
| 22 | 43952 | (10000000- 20000000) | Washer, Lock, Int, 0.31, Ss | 5 | |
| 23 | 607461 | (10000000- 20000000) | Screw, Set, M8 X 1.25 X 35, NI | 3 | |
| 24 | 1205345 | (10000000- 20000000) | Stand- Off, Wir, M8, Insulator, Panel | 2 | |
| 25 | 1212780 | (10000000- 20000000) | Busbar, 125a 0.188 0.750w 2.638l | 2 | |
| 26 | 1061910 | (10000000- 20000000) | Nut, Hex, Std, M6 X 1.00, Brs | 1 | |
| 27 | 1061918 | (10000000- 20000000) | Washer, Flat, 0.25b 0.47d .06, Brs | 1 | |
| 28 | 07515 | (10000000- 20000000) | Washer, Lock, Int, 0.25, Ss | 1 | |
| 29 | 1219045 | (10000000- 20000000) | Gasket, Cover, Circuitboard | 1 | |
| 30 | 1234401 | (10000000- 20000000) | Heatsink, Mtg, Circuitboard, Machined | 1 | |
| 31 | 1020174 | (10000000- 20000000) | Molding, Afmkt, Trim, Pvc, .08 .11, 03ft | 1 | |
| 32 | 01685 | (10000000- 20000000) | Washer, Flat, 0.38b 0.88d .08, Ss | 2 | |
| 33 | 32984 | (10000000- 20000000) | Washer, Lock, Int, 0.31 | 2 | |
| 34 | 386868 | (10000000- 20000000) | Screw, Hex, M8 X 1.25 X 12, Ss | 2 | |
| 35 | 1064187 | (10000000- 20000000) | Circuitbreaker, 10.0a, Resetable | 1 | |

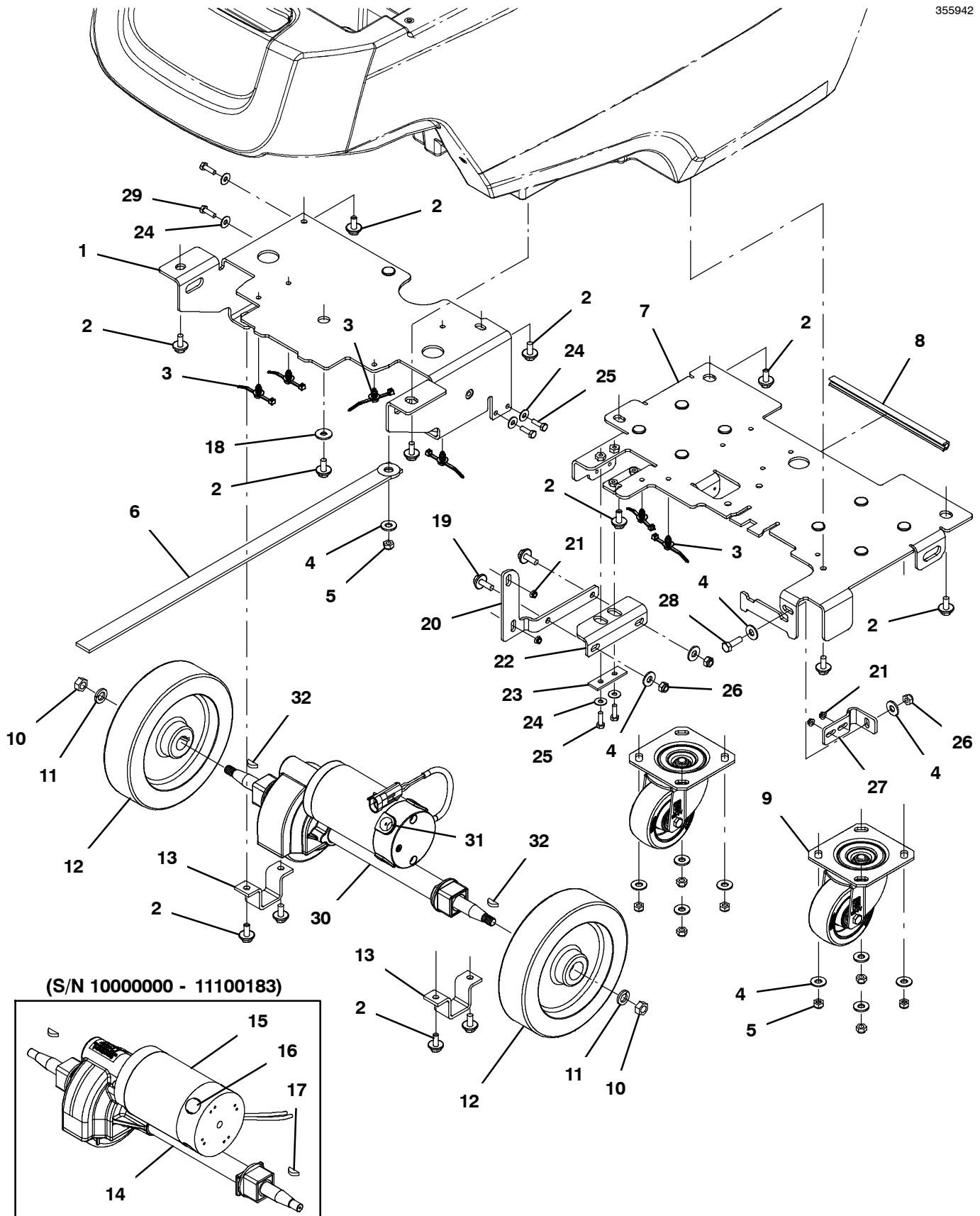
* Requires Tennant *True* service or an authorized Tennant service provider.

▽ ASSEMBLY

▲ INCLUDED IN ASSEMBLY

FRAME AND DRIVE GROUP (S/N 11064202 -)

355942



FRAME AND DRIVE GROUP (S/N 11064202 -)

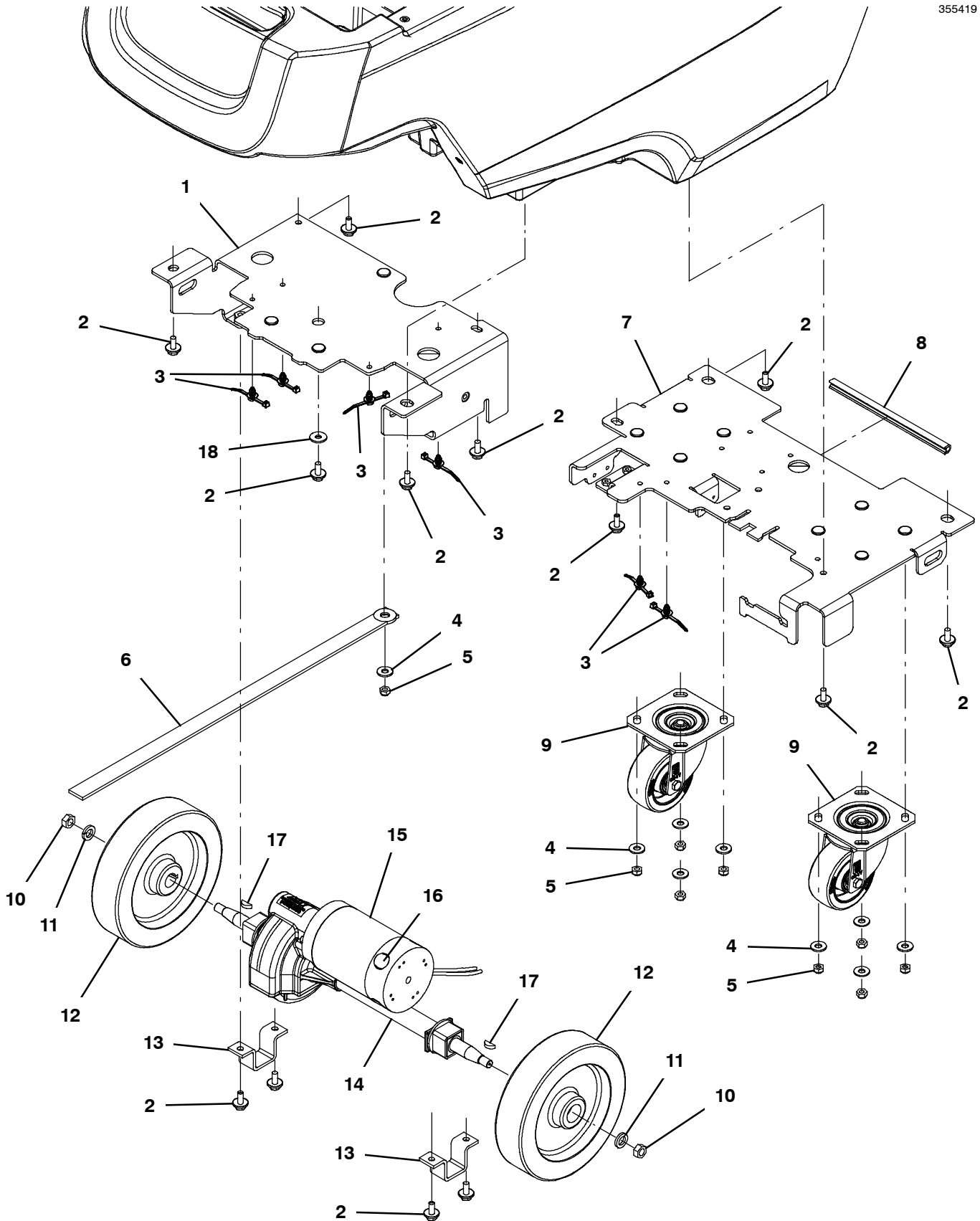
| Ref. | Part No. | Serial Number | Description | Qty. | |
|------|----------|-----------------------|--|--|---|
| 1 | 1256615 | (11064202- 20000000) | Frame Wldt, Front [T500] | 1 | |
| 2 | 1020341 | (10000000- 20000000) | Screw, Hex, M8 X 1.25 X 20, Ss, Sems | 13 | |
| 3 | 1210807 | (10000000- 20000000) | Wire, Tie [W/.25" Fir Tree Clip] | 6 | |
| 4 | 01685 | (11064202- 20000000) | Washer, Flat, 0.38b 0.88d .08, Ss | 13 | |
| 5 | 08713 | (10000000- 20000000) | Nut, Hex, Lock, M8 X 1.25, NI, Ss | 9 | |
| 6 | 71579 | (10000000- 20000000) | Strap, Static, W/Grommet, .19 1.1w 25.0l | 1 | |
| 7 | 1261154 | (11064202- 20000000) | Frame Wldt, Rear [T500] | 1 | |
| 8 | 1020168 | (10000000- 20000000) | Molding, Afmkt, Trim, Pvc, .08 .11, 01ft | 1 | |
| 9 | 1212422 | (10000000- 20000000) | Caster, Swivel [Wicke 224051] | 2 | |
| 10 | 09741 | (10000000- 20000000) | Nut, Hex, Lock, M12 X 1.75, NI, Ss | 2 | |
| 11 | 140058 | (10000000- 20000000) | Washer, Flat, 0.54b 0.88d .06, Ss [Wand] | 2 | |
| 12 | 1223582 | (11046266- 20000000) | Wheel, Scrbr, 8.00d, W/ Taper | 2 | |
| 13 | 606001 | (10000000- 20000000) | Bracket, Mtg, Transaxle, PI [1510, T5] | 2 | |
| ▽ | 14 | 1220970 | (10000000- 11100183) Transaxle, Ele, 24vdc, 107rpm [Asi, 4] (Replaced By 1261401) | 1 | |
| ▲ | 612874 | (10000000- 11100183) | Coupling, Transaxle, Replmt | 1 | |
| ▲ | 612880 | (10000000- 11100183) | Joint, Transaxle, Replmt | 1 | |
| ▲▽ | 15 | 1031723 | (10000000- 11100183) | Motor, Transaxle, 24vdc, Afmkt [T5] | 1 |
| ▲▲ | 16 | 614166 | (10000000- 11100183) | Brush Kit, Carbon, Transaxle, Replmt [4] | 1 |
| ▲ | 17 | 1021167 | (10000000- 20000000) | Key, Woodruff, 5mm | 2 |
| | 18 | 39890 | (10000000- 20000000) | Washer, Flat, M8, Fendr | 1 |
| | 19 | 1072628 | (11064202- 20000000) | Screw, Hex, M8 X 1.25 X 25, Ss, Sems | 2 |
| | 20 | 1259657 | (11064202- 20000000) | Bracket, Spanning Vert [T500] | 1 |
| | 21 | 1040381 | (11064202- 20000000) | Nut, Hex, Flng, M6 X 1.0, Ss [Serrated] | 4 |
| | 22 | 1259658 | (11064202- 20000000) | Bracket, Spanning Angle [T500] | 1 |
| | 23 | 1260051 | (11064202- 20000000) | Plate, Bracket, Spanning | 1 |
| | 24 | 01684 | (11064202- 20000000) | Washer, Flat, 0.27b 0.69d .05, Ss | 5 |
| | 25 | 08716 | (11064202- 20000000) | Screw, Hex, M6 X 1.00 X 20, Ss | 2 |
| | 26 | 08713 | (11064202- 20000000) | Nut, Hex, Lock, M8 X 1.25, NI, Ss | 3 |
| | 27 | 1256017 | (11064202- 20000000) | Bracket, Spanning [T500] | 1 |
| | 28 | 09010 | (11064202- 20000000) | Screw, Hex, M8 X 1.25 X 25, Ss | 1 |
| | 29 | 08716 | (11064202- 20000000) | Screw, Hex, M6 X 1.00 X 20, Ss | 2 |
| ▽ | 30 | 1261401 | (11100184- 20000000) | Transaxle, Ele, 24vdc, 110rpm | 1 |
| ▲ | 31 | 1261402 | (11100184- 20000000) | Brush Set, Transaxle | 1 |
| ▲ | 32 | 1021167 | (10000000- 20000000) | Key, Woodruff, 5mm | 2 |

▽ ASSEMBLY

▲ INCLUDED IN ASSEMBLY

FRAME AND DRIVE GROUP (S/N 1000000 - 11064201)

355419



FRAME AND DRIVE GROUP (S/N 1000000 - 11064201)

(Note: Solution Tank Support Bracket Upgrade Kit Available, Tennant Part Number 9021792 Pages 140- 141)

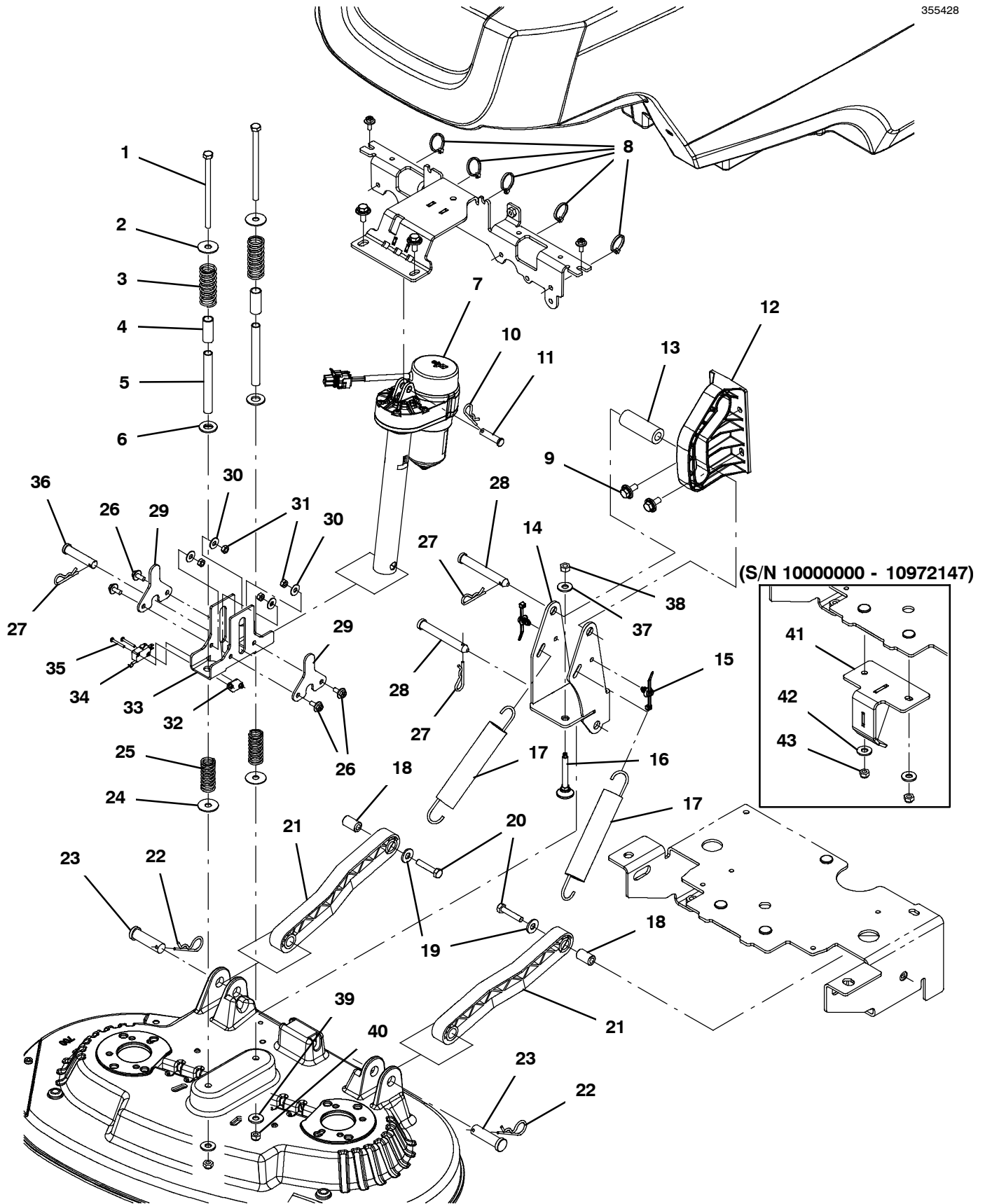
| Ref. | Part No. | Serial Number | Description | Qty. |
|------|------------|-----------------------|--|------|
| 1 | 1256615 | (11046266- 11064201) | Frame Wldt, Front [T500] | 1 |
| 1 | 1219118 | (10000000- 11046265) | Frame Wldt, Front [T500] | 1 |
| 2 | 1020341 | (10000000- 20000000) | Screw, Hex, M8 X 1.25 X 20, Ss, Sems | 13 |
| 3 | 1210807 | (10000000- 20000000) | Wire, Tie [W/.25" Fir Tree Clip] | 6 |
| 4 | 01685 | (10000000- 11064201) | Washer, Flat, 0.38b 0.88d .08, Ss | 9 |
| 5 | 08713 | (10000000- 20000000) | Nut, Hex, Lock, M8 X 1.25, NI, Ss | 9 |
| 6 | 71579 | (10000000- 20000000) | Strap, Static, W/Grommet, .19 1.1w 25.0l | 1 |
| 7 | 1219137 | (10000000- 11064201) | Frame Wldt, Rear [T500] | 1 |
| 8 | 1020168 | (10000000- 20000000) | Molding, Afmkt, Trim, Pvc, .08 .11, 01ft | 1 |
| 9 | 1212422 | (10000000- 20000000) | Caster, Swivel [Wicke 224051] | 2 |
| 10 | 09741 | (10000000- 20000000) | Nut, Hex, Lock, M12 X 1.75, NI, Ss | 2 |
| 11 | 140058 | (10000000- 20000000) | Washer, Flat, 0.54b 0.88d .06, Ss [Wand] | 2 |
| 12 | 1223582 | (11046266- 20000000) | Wheel, Scrbr, 8.00d, W/ Taper | 2 |
| ▽ | 9004909 | (10000000- 11046265) | Wheel Kit, Solid, Ci [T5 T5e Ss5] (No Longer Available - Replaced By 1223583 Qty 2) | 1 |
| ▲ | 12 1223583 | (10000000- 11046265) | Wheel, Scrbr, 213mm, W/ Taper | 2 |
| 13 | 606001 | (10000000- 20000000) | Bracket, Mtg, Transaxle, PI [1510, T5] | 2 |
| ▽ | 14 1220970 | (10000000- 11100183) | Transaxle, Ele, 24vdc, 107rpm [Asi, 4] (Replaced By 1261401) | 1 |
| ▲ | 612874 | (10000000- 11100183) | Coupling, Transaxle, Replmt | 1 |
| ▲ | 612880 | (10000000- 11100183) | Joint, Transaxle, Replmt | 1 |
| ▲▽ | 15 1031723 | (10000000- 11100183) | Motor, Transaxle, 24vdc, Afmkt [T5] | 1 |
| ▲▲ | 16 614166 | (10000000- 11100183) | Brush Kit, Carbon, Transaxle, Replmt [4] | 1 |
| ▲ | 17 1021167 | (10000000- 20000000) | Key, Woodruff, 5mm | 2 |
| | 18 39890 | (10000000- 20000000) | Washer, Flat, M8, Fendr | 1 |

▽ ASSEMBLY

▲ INCLUDED IN ASSEMBLY

HEAD LIFT GROUP, DISK

355428

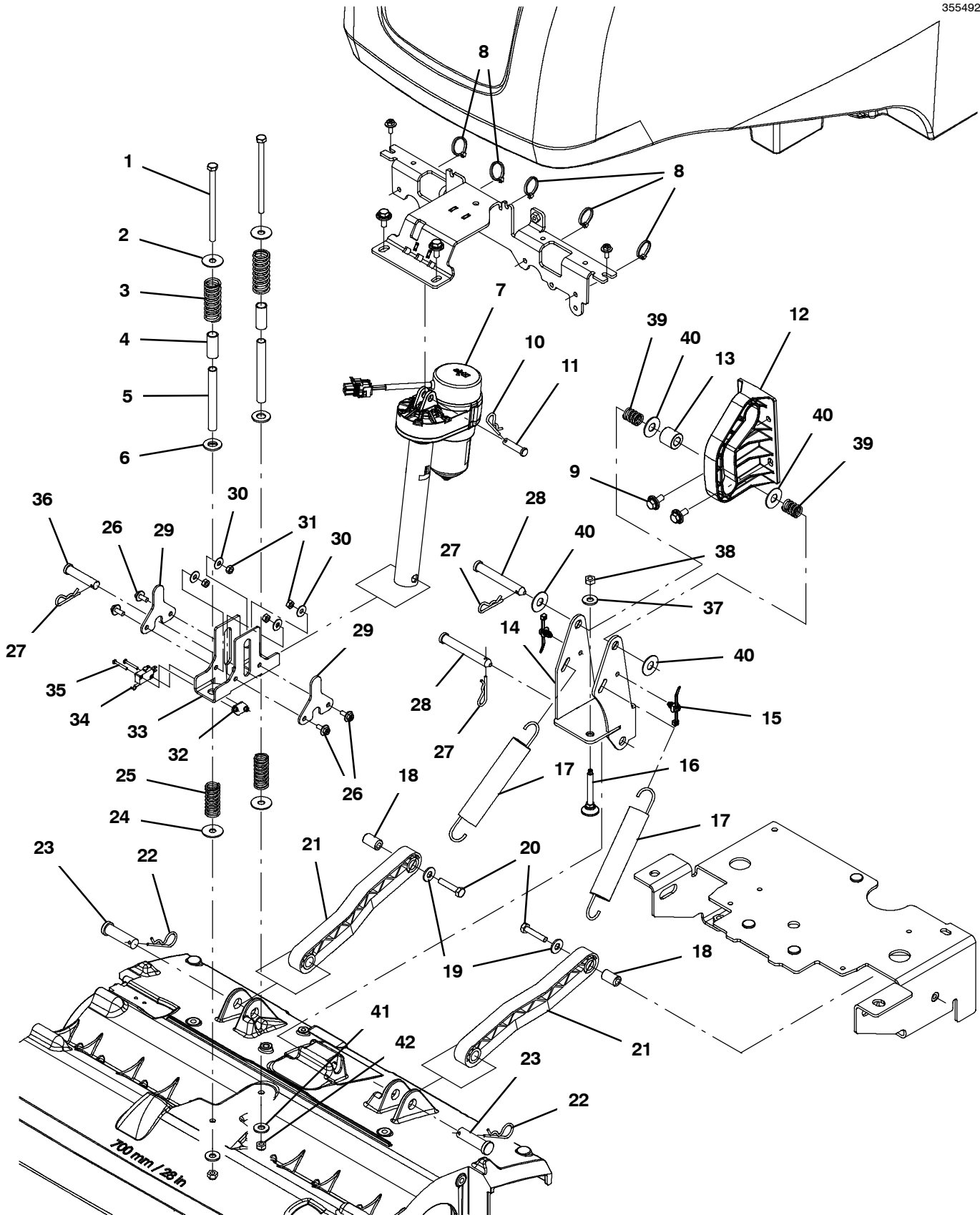


HEAD LIFT GROUP, DISK

| Ref. | Part No. | Serial Number | Description | Qty. |
|------|----------|-----------------------|---|------|
| 1 | 387431 | (10000000- 20000000) | Screw, Hex, M8 X 1.25 X 130, Ss | 2 |
| 2 | 32662 | (10000000- 20000000) | Washer, Flat, 0.38b 1.22d .06, Ss | 2 |
| 3 | 45261 | (10000000- 20000000) | Spring, Cmpr, 0.97od .11wir 02.5l | 2 |
| 4 | 1224334 | (10000000- 20000000) | Sleeve, P/M, 0.51b 0.63d 1.5l, PI | 2 |
| 5 | 1219491 | (10000000- 20000000) | Sleeve, 0.40id .50d 4.25l, Ss | 2 |
| 6 | 32486 | (10000000- 20000000) | Washer, Flat, 0.53b 1.06d .10, Stl, PI | 2 |
| 7 | 1221206 | (10000000- 20000000) | Actuator, 24vdc, 07.0strk, 0600lb | 1 |
| 8 | 49263 | (10000000- 20000000) | Tie, Cable, Nyl, 11.4l .19w 3.0 Max D | 5 |
| 9 | 1020341 | (10000000- 20000000) | Screw, Hex, M8 X 1.25 X 20, Ss, Sems | 4 |
| 10 | 140626 | (10000000- 20000000) | Pin, Cotter, Hair, 0.25d .125 Wir | 1 |
| 11 | 29558 | (10000000- 20000000) | Pin, Clevis, 0.37d X 1.50l | 1 |
| 12 | 1219912 | (10000000- 20000000) | Bracket, Guide, Head[T500] | 1 |
| 13 | 1220305 | (10000000- 20000000) | Tube, Plstc, 0.51id 0.98od 02.8l | 1 |
| 14 | 1221507 | (10000000- 20000000) | Pivot Wldt, Head, Scrub [T500] | 1 |
| 15 | 1210807 | (10000000- 20000000) | Wire, Tie [W/.25" Fir Tree Clip] | 2 |
| 16 | 1227530 | (10000000- 20000000) | Screw, Leveler, M8x75 | 1 |
| 17 | 222363 | (10000000- 20000000) | Spring, Extn, 1.23od 0.15wir 06.5l | 2 |
| 18 | 606056 | (10000000- 20000000) | Tube, 0.32id 0.62od 01.0l, Stl, PI | 2 |
| 19 | 01685 | (10000000- 20000000) | Washer, Flat, 0.38b 0.88d .08, Ss | 2 |
| 20 | 74440 | (10000000- 20000000) | Screw, Hex, M8 X 1.25 X 40, NI, Ss | 2 |
| 21 | 222027 | (10000000- 20000000) | Arm, Lift, Head | 2 |
| 22 | 02942 | (10000000- 20000000) | Pin, Hair, Cotter, 0.62d .120 Wir | 2 |
| 23 | 222210 | (10000000- 20000000) | Pin, Clevis, 0.62d X 2.12l | 2 |
| 24 | 32662 | (10000000- 20000000) | Washer, Flat, 0.38b 1.22d .06, Ss | 2 |
| 25 | 63185 | (10000000- 20000000) | Spring, Cmpr, 0.85od .09wir 02.0l | 2 |
| 26 | 1034731 | (10000000- 20000000) | Screw, Hex, M6 X 1.00 X 16, Sems, Ss | 4 |
| 27 | 140626 | (10000000- 20000000) | Pin, Cotter, Hair, 0.25d .125 Wir | 3 |
| 28 | 374225 | (10000000- 20000000) | Pin, Clevis, 0.50d X 3.75l | 2 |
| 29 | 1225719 | (10000000- 20000000) | Bracket, Pin Holder | 2 |
| 30 | 01684 | (10000000- 20000000) | Washer, Flat, 0.27b 0.69d .05, Ss | 4 |
| 31 | 07785 | (10000000- 20000000) | Nut, Hex, Std, M6 X 1.00, Ss | 4 |
| 32 | 1013705 | (10000000- 20000000) | Plate, Thread, Switch, M3 Nut, 96hr PI | 1 |
| 33 | 1224191 | (10000000- 20000000) | Bracket, Spring, Suspension, Head | 1 |
| 34 | 1215716 | (10000000- 20000000) | Switch, 0.1a, Spdt[Micro, Gold Contacts] | 1 |
| 35 | 33933 | (10000000- 20000000) | Screw, Pan, Phl, M3 X 0.50 X 25, Ss | 2 |
| 36 | 11211 | (10000000- 20000000) | Pin, Clevis, 0.50d X 2.25l | 1 |
| 37 | 01685 | (10000000- 20000000) | Washer, Flat, 0.38b 0.88d .08, Ss | 1 |
| 38 | 07786 | (10000000- 20000000) | Nut, Hex, Std, M8 X 1.25, Ss | 1 |
| 39 | 01685 | (10000000- 20000000) | Washer, Flat, 0.38b 0.88d .08, Ss | 2 |
| 40 | 08713 | (10000000- 20000000) | Nut, Hex, Lock, M8 X 1.25, NI, Ss | 2 |
| 41 | 1222374 | (10000000- 10972147) | Frame Wldt, Hardstop [T500] (No Longer Available) | 1 |
| 42 | 01685 | (10000000- 10972147) | Washer, Flat, 0.38b 0.88d .08, Ss | 2 |
| 43 | 08713 | (10000000- 10972147) | Nut, Hex, Lock, M8 X 1.25, NI, Ss | 2 |

HEAD LIFT GROUP, CYLINDRICAL

355492

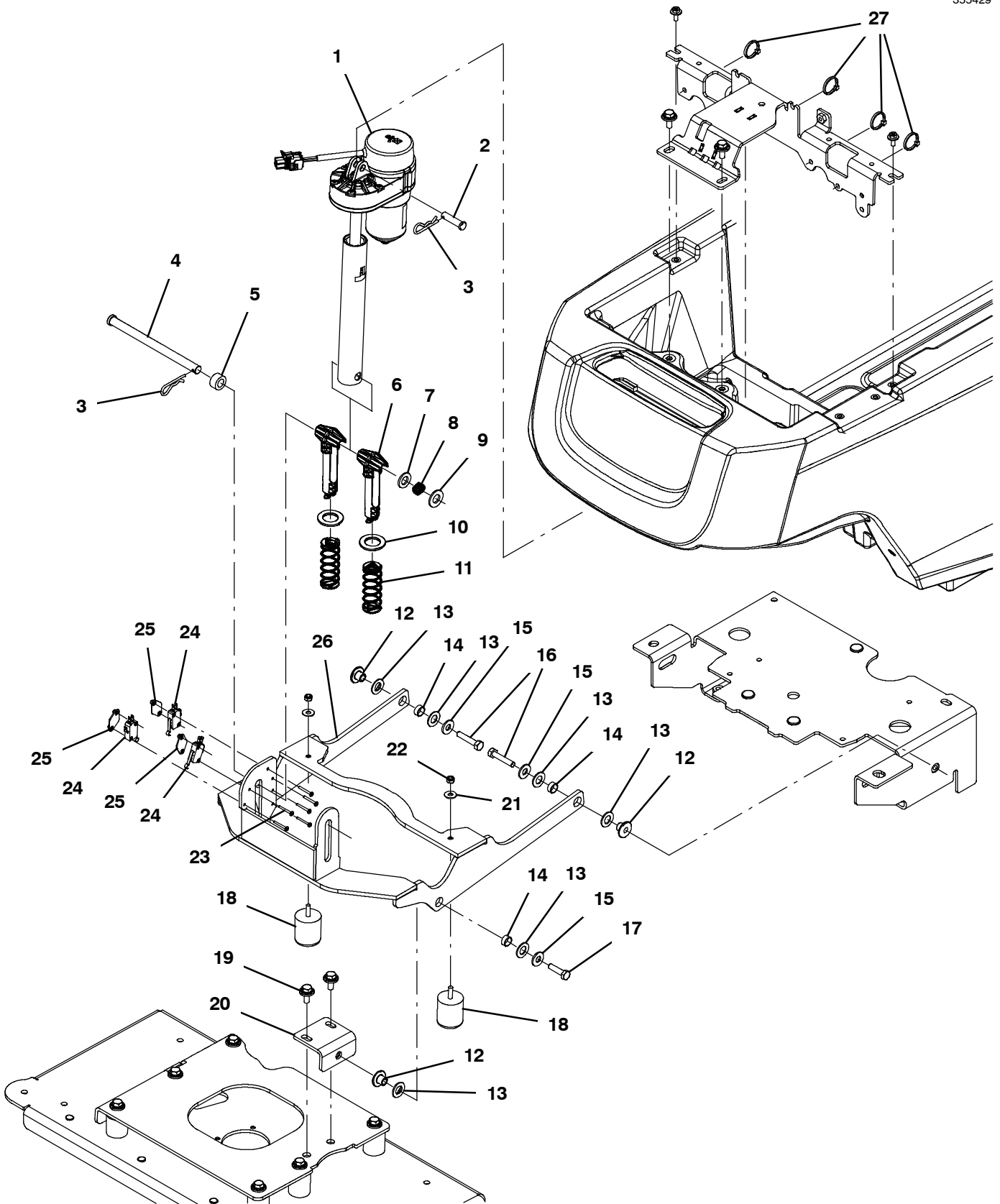


HEAD LIFT GROUP, CYLINDRICAL

| Ref. | Part No. | Serial Number | Description | Qty. |
|------|----------|-----------------------|--|------|
| 1 | 387431 | (10000000- 20000000) | Screw, Hex, M8 X 1.25 X 130, Ss | 2 |
| 2 | 32662 | (10000000- 20000000) | Washer, Flat, 0.38b 1.22d .06, Ss | 2 |
| 3 | 45261 | (10000000- 20000000) | Spring, Cmpr, 0.97od .11wir 02.5l | 2 |
| 4 | 1224334 | (10000000- 20000000) | Sleeve, P/M, 0.51b 0.63d 1.5l, PI | 2 |
| 5 | 1219491 | (10000000- 20000000) | Sleeve, 0.40id .50d 4.25l, Ss | 2 |
| 6 | 32486 | (10000000- 20000000) | Washer, Flat, 0.53b 1.06d .10, Stl, PI | 2 |
| 7 | 1221206 | (10000000- 20000000) | Actuator, 24vdc, 07.0strk, 0600lb | 1 |
| 8 | 49263 | (10000000- 20000000) | Tie, Cable, Nyl, 11.4l .19w 3.0 Max D | 5 |
| 9 | 1020341 | (10000000- 20000000) | Screw, Hex, M8 X 1.25 X 20, Ss, Sems | 4 |
| 10 | 140626 | (10000000- 20000000) | Pin, Cotter, Hair, 0.25d .125 Wir | 1 |
| 11 | 29558 | (10000000- 20000000) | Pin, Clevis, 0.37d X 1.50l | 1 |
| 12 | 1219912 | (10000000- 20000000) | Bracket, Guide, Head[T500] | 1 |
| 13 | 1014020 | (10000000- 20000000) | Roller, 0.99d 0.50b 0.95l, Acetal | 1 |
| 14 | 1221507 | (10000000- 20000000) | Pivot Wldt, Head, Scrub [T500] | 1 |
| 15 | 1210807 | (10000000- 20000000) | Wire, Tie [W/.25" Fir Tree Clip] | 2 |
| 16 | 1227530 | (10000000- 20000000) | Screw, Leveler, M8x75 | 1 |
| 17 | 222363 | (10000000- 20000000) | Spring, Extn, 1.23od 0.15wir 06.5l | 2 |
| 18 | 606056 | (10000000- 20000000) | Tube, 0.32id 0.62od 01.0l, Stl, PI | 2 |
| 19 | 01685 | (10000000- 20000000) | Washer, Flat, 0.38b 0.88d .08, Ss | 2 |
| 20 | 74440 | (10000000- 20000000) | Screw, Hex, M8 X 1.25 X 40, NI, Ss | 2 |
| 21 | 222027 | (10000000- 20000000) | Arm, Lift, Head | 2 |
| 22 | 02942 | (10000000- 20000000) | Pin, Hair, Cotter, 0.62d .120 Wir | 2 |
| 23 | 222210 | (10000000- 20000000) | Pin, Clevis, 0.62d X 2.12l | 2 |
| 24 | 32662 | (10000000- 20000000) | Washer, Flat, 0.38b 1.22d .06, Ss | 2 |
| 25 | 63185 | (10000000- 20000000) | Spring, Cmpr, 0.85od .09wir 02.0l | 2 |
| 26 | 1034731 | (10000000- 20000000) | Screw, Hex, M6 X 1.00 X 16, Sems, Ss | 4 |
| 27 | 140626 | (10000000- 20000000) | Pin, Cotter, Hair, 0.25d .125 Wir | 3 |
| 28 | 374225 | (10000000- 20000000) | Pin, Clevis, 0.50d X 3.75l | 2 |
| 29 | 1225719 | (10000000- 20000000) | Bracket, Pin Holder | 2 |
| 30 | 01684 | (10000000- 20000000) | Washer, Flat, 0.27b 0.69d .05, Ss | 4 |
| 31 | 07785 | (10000000- 20000000) | Nut, Hex, Std, M6 X 1.00, Ss | 4 |
| 32 | 1013705 | (10000000- 20000000) | Plate, Thread, Switch, M3 Nut, 96hr PI | 1 |
| 33 | 1224191 | (10000000- 20000000) | Bracket, Spring, Suspension, Head | 1 |
| 34 | 1215716 | (10000000- 20000000) | Switch, 0.1a, Spdt[Micro, Gold Contacts] | 1 |
| 35 | 33933 | (10000000- 20000000) | Screw, Pan, Phl, M3 X 0.50 X 25, Ss | 2 |
| 36 | 11211 | (10000000- 20000000) | Pin, Clevis, 0.50d X 2.25l | 1 |
| 37 | 01685 | (10000000- 20000000) | Washer, Flat, 0.38b 0.88d .08, Ss | 1 |
| 38 | 07786 | (10000000- 20000000) | Nut, Hex, Std, M8 X 1.25, Ss | 1 |
| 39 | 607920 | (10000000- 20000000) | Spring, Cmpr, 0.70od .10wir 01.0l, Mw | 2 |
| 40 | 140045 | (10000000- 20000000) | Washer, Flat, 0.51b 1.25d .06, Ss | 4 |
| 41 | 01685 | (10000000- 20000000) | Washer, Flat, 0.38b 0.88d .08, Ss | 2 |
| 42 | 08713 | (10000000- 20000000) | Nut, Hex, Lock, M8 X 1.25, NI, Ss | 2 |

HEAD LIFT GROUP, ORBITAL

355429

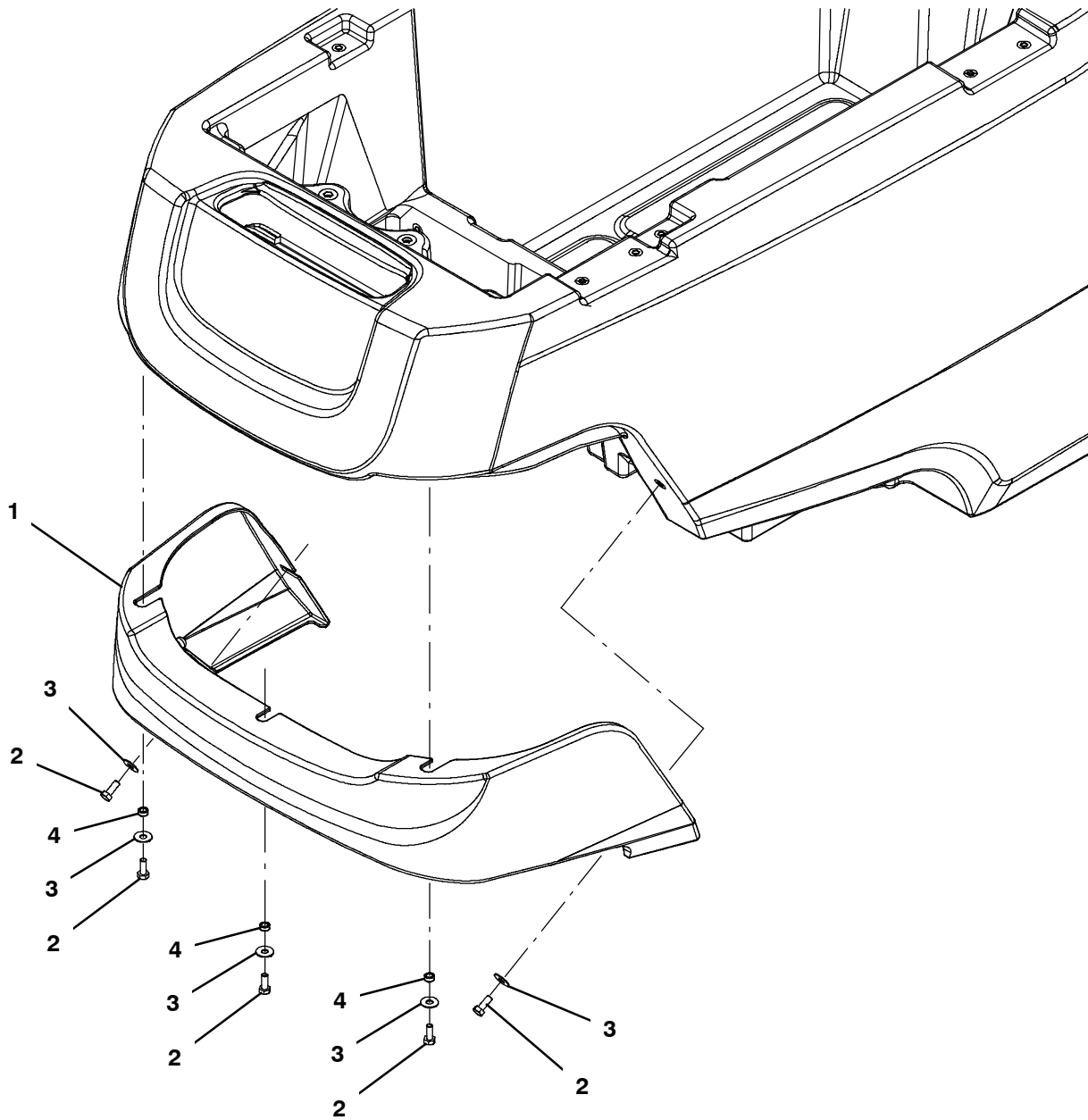


HEAD LIFT GROUP, ORBITAL

| Ref. | Part No. | Serial Number | Description | Qty. |
|------|----------|-----------------------|--|------|
| 1 | 1221206 | (10000000- 20000000) | Actuator, 24vdc, 07.0strk, 0600lb | 1 |
| 2 | 29558 | (10000000- 20000000) | Pin, Clevis, 0.37d X 1.50l | 1 |
| 3 | 140626 | (10000000- 20000000) | Pin, Cotter, Hair, 0.25d .125 Wir | 1 |
| 4 | 1226754 | (10000000- 20000000) | Pin, Clevis, .50d X 7.00l | 1 |
| 5 | 1226759 | (10000000- 20000000) | Spacer, .500 ld X .875 Od | 1 |
| 6 | 1224233 | (10000000- 20000000) | Pin, Guide, Spring, Head | 2 |
| 7 | 1013936 | (10000000- 20000000) | Washer, Flat, 0.51b 0.94d .10, Nyl | 1 |
| 8 | 1226640 | (10000000- 20000000) | Spring, Wave, .512 ld X .709 Od X .375 | 1 |
| 9 | 32486 | (10000000- 20000000) | Washer, Flat, 0.53b 1.06d .10, Stl, PI | 1 |
| 10 | 1225960 | (10000000- 20000000) | Washer, Thrust, 0.89b 1.50d 0.13w, Bnz | 2 |
| 11 | 1227036 | (10000000- 20000000) | Spring, Cmpr, 1.10od .085wir 03.0l | 2 |
| 12 | 1059990 | (10000000- 20000000) | Sleeve, Flng, 0.32b 1.00/0.50d 0.6l, Ss | 3 |
| 13 | 608562 | (10000000- 20000000) | Washer, Flat, 0.51b 0.94d .06, Nyl | 6 |
| 14 | 630188 | (10000000- 20000000) | Bearing, Journal, .50id X .25l | 3 |
| 15 | 01685 | (10000000- 20000000) | Washer, Flat, 0.38b 0.88d .08, Ss | 3 |
| 16 | 74440 | (10000000- 20000000) | Screw, Hex, M8 X 1.25 X 40, NI, Ss | 2 |
| 17 | 1016399 | (10000000- 20000000) | Screw, Hex, M8 X 1.25 X 30, NI, Ss | 1 |
| 18 | 1212543 | (10000000- 20000000) | Isolator, Neoprene, 1.25" X 1.25", M8 | 2 |
| 19 | 1020341 | (10000000- 20000000) | Screw, Hex, M8 X 1.25 X 20, Ss, Sems | 2 |
| 20 | 1224295 | (10000000- 20000000) | Brkt Wldt, Lift | 1 |
| 21 | 01685 | (10000000- 20000000) | Washer, Flat, 0.38b 0.88d .08, Ss | 2 |
| 22 | 08713 | (10000000- 20000000) | Nut, Hex, Lock, M8 X 1.25, NI, Ss | 2 |
| 23 | 33933 | (10000000- 20000000) | Screw, Pan, Phl, M3 X 0.50 X 25, Ss | 6 |
| 24 | 1215716 | (10000000- 20000000) | Switch, 0.1a, Spdt[Micro, Gold Contacts] | 3 |
| 25 | 1013705 | (10000000- 20000000) | Plate, Thread, Switch, M3 Nut, 96hr PI | 3 |
| 26 | 1221043 | (10000000- 20000000) | Arm Wldt, Lift | 1 |
| 27 | 49263 | (10000000- 20000000) | Tie, Cable, Nyl, 11.4l .19w 3.0 Max D | 5 |

SHROUD GROUP, DISK AND ORBITAL

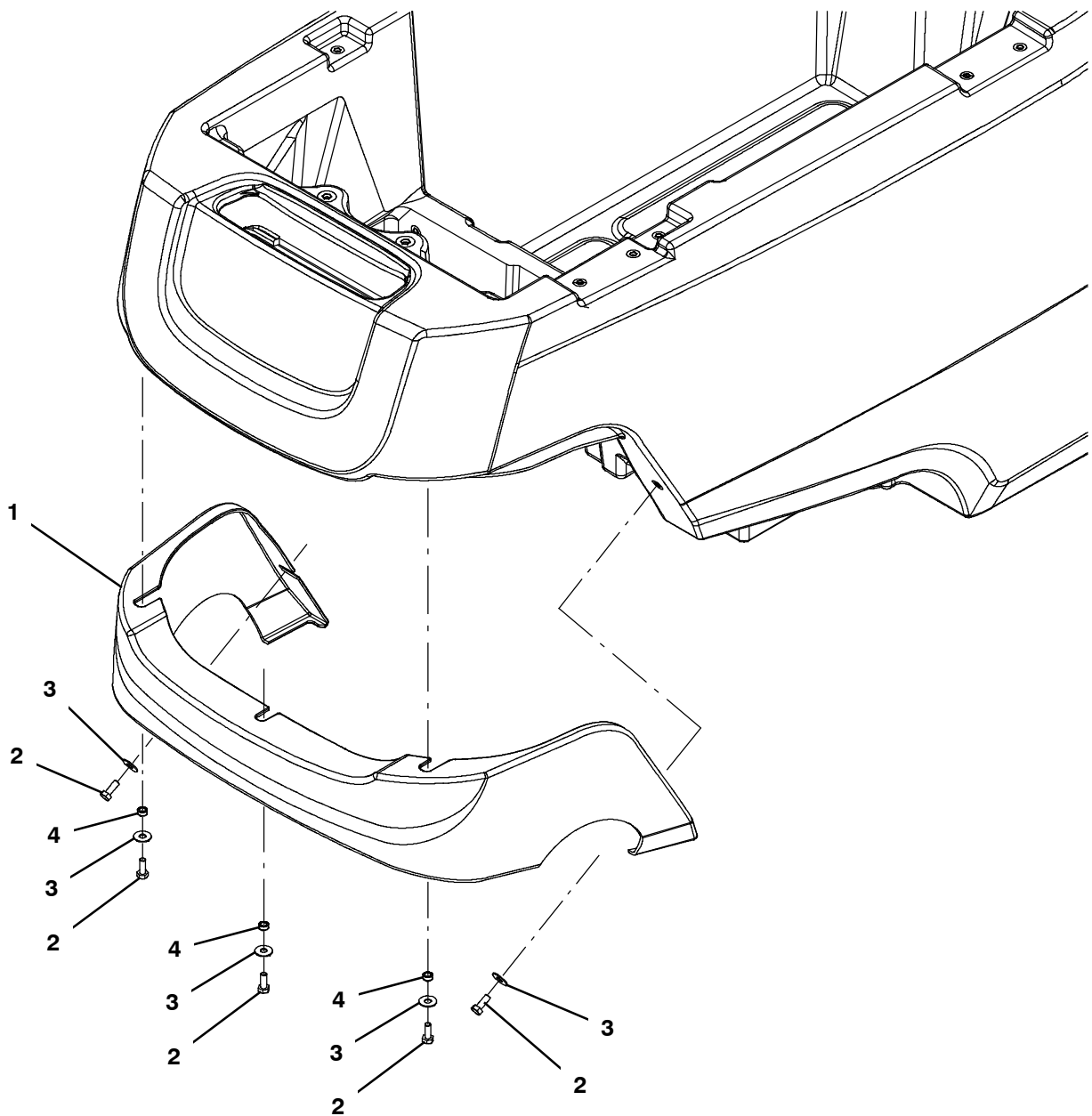
355417



| Ref. | Part No. | Serial Number | Description | Qty. |
|------|----------|----------------------|---------------------------------------|------|
| 1 | 1219723 | (10000000-20000000) | Cover, Head, Disc [T500] | 1 |
| 2 | 11329 | (10000000-20000000) | Screw, Hex, M6 X 1.00 X 16, NI, Ss | 5 |
| 3 | 01684 | (10000000-20000000) | Washer, Flat, 0.27b 0.69d .05, Ss | 5 |
| 4 | 80491 | (10000000-20000000) | Sleeve, P/M, 0.25b 0.38d 0.2l [430ss] | 3 |

SHROUD GROUP, CYLINDRICAL

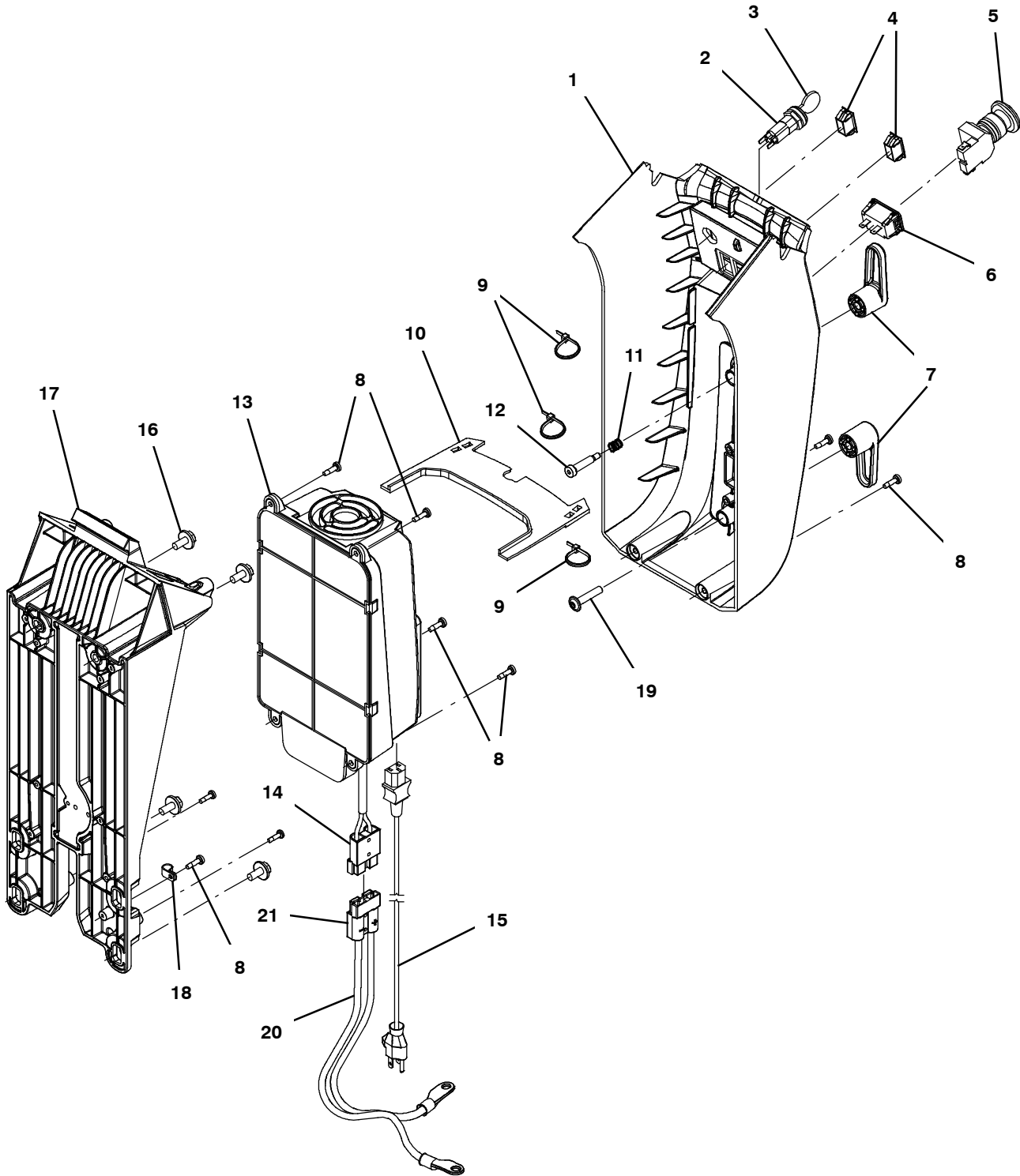
355418



| Ref. | Part No. | Serial Number | Description | Qty. |
|------|----------|-----------------------|---------------------------------------|------|
| 1 | 1219724 | (10000000- 20000000) | Cover, Head, Cylrcl [T500] | 1 |
| 2 | 11329 | (10000000- 20000000) | Screw, Hex, M6 X 1.00 X 16, NI, Ss | 5 |
| 3 | 01684 | (10000000- 20000000) | Washer, Flat, 0.27b 0.69d .05, Ss | 5 |
| 4 | 80491 | (10000000- 20000000) | Sleeve, P/M, 0.25b 0.38d 0.2l [430ss] | 3 |

LOWER CONSOLE GROUP, ON-BOARD CHARGER

355444



LOWER CONSOLE GROUP, ON-BOARD CHARGER

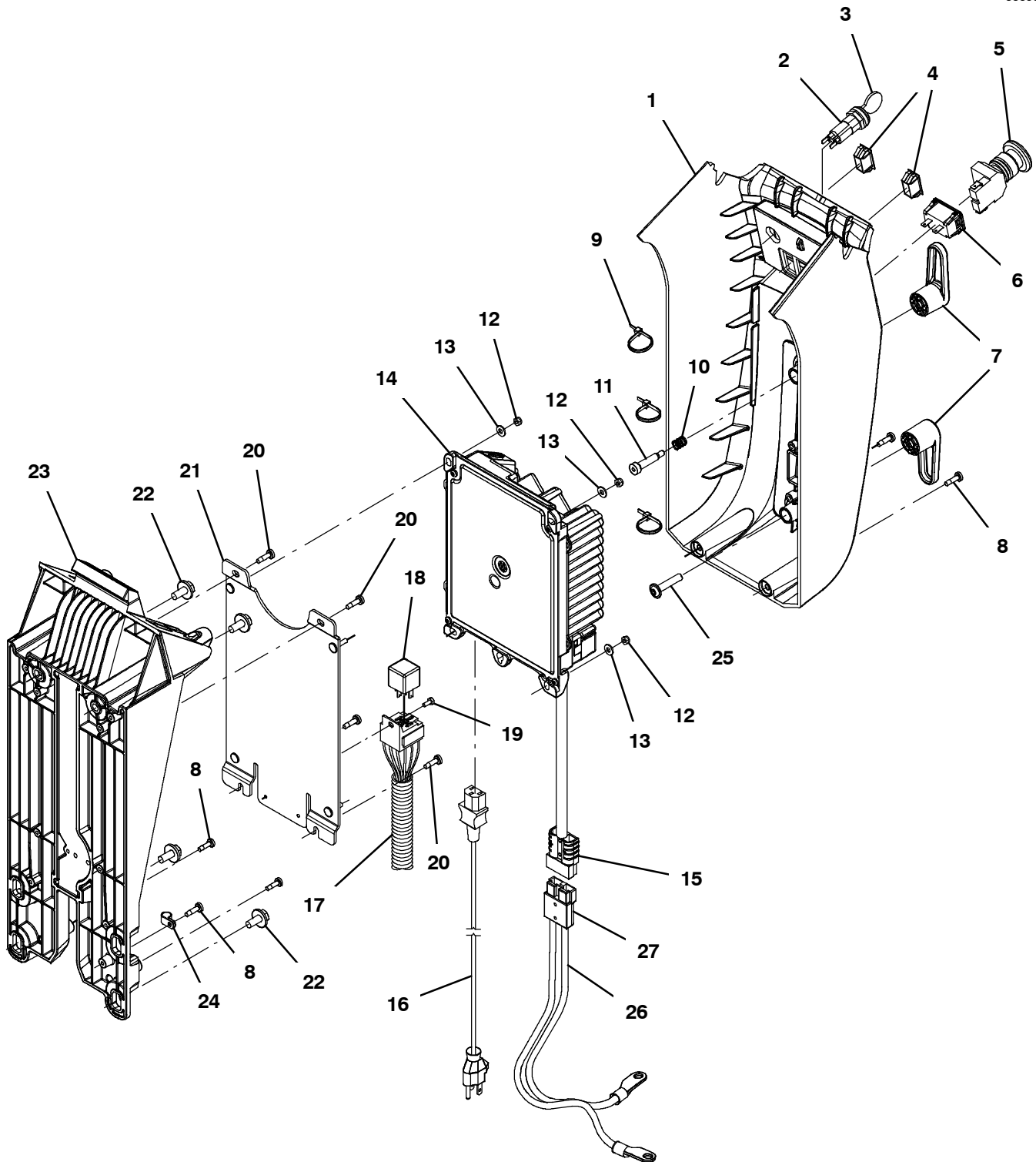
| Ref. | Part No. | Serial Number | Description | Qty. |
|------|----------|---------------|---|------|
| | 1 | 1203802 | (10000000- 20000000) Cover, Column, Cntrl | 1 |
| ▽ | 2 | 1011402 | (10000000- 20000000) Switch, Key | 1 |
| ▲ | 3 | 1017696 | (10000000- 20000000) Key Set, Replmt [F/ Keyswitch 1011402] | 1 |
| | 4 | 582150 | (10000000- 20000000) Plug, Hole, Rt, 1.23 X 1.12, Nyl | 2 |
| | 5 | 1011735 | (10000000- 20000000) Switch, Safety, Shutoff | 1 |
| | 6 | 1064038 | (10000000- 20000000) Gauge, Hourmeter, 05- 277 Volt, Ac / Dc | 1 |
| | 7 | 1205496 | (10000000- 20000000) Hook, Cord | 2 |
| | 8 | 1043573 | (10000000- 20000000) Screw, #10- 14 X 0.675, Spl[Shcs,Selftap] | 9 |
| | 9 | 130773 | (10000000- 20000000) Tie, Cable, Nyl, 11.0l, .14w, 3.0 Max. D | 3 |
| | 10 | 1207290 | (10000000- 20000000) Cover, Charger | 1 |
| | 11 | 611311 | (10982559- 20000000) Spring, Cmpr, 0.40od .05wir 00.5l, Pl,Mw | 1 |
| | 11 | 611311 | (10000000- 10982558) Spring, Cmpr, 0.40od .05wir 00.5l, Pl,Mw | 2 |
| | 12 | 1024965 | (10982559- 20000000) Bolt, Shld, 08mmd X 030mm, M06 X 1.0 | 1 |
| | 12 | 1024965 | (10000000- 10982558) Bolt, Shld, 08mmd X 030mm, M06 X 1.0 | 2 |
| ▽ | 13 | 1250046 | (10978950- 20000000) Charger, 24vdc 25a 100- 240vac [On- Board] | 1 |
| ▽ | 13 | 1220856 | (10000000- 10978949) Charger, 24vdc 25a 115- 240vac [On- Board] (Replaced By 1250046) | 1 |
| ▲ | 14 | 605387 | (10000000- 20000000) Connector, Anderson, 050a, Red [W/O Con] | 1 |
| | 15 | 1025642 | (10000000- 20000000) Cord, Power, 16/3, 15ft Blk [Us] | 1 |
| | 15 | 1026330 | (10000000- 20000000) Cord, Power, 1.0mm2 [2.5meter] | 1 |
| | 15 | 1026325 | (10000000- 20000000) Cord, Power, 1.0mm2/3 Blk[2.5meter, Aus] | 1 |
| | 15 | 1048304 | (10000000- 20000000) Cord, Power [4.5meter, India, S.Africa] | 1 |
| | 16 | 1020341 | (10000000- 20000000) Screw, Hex, M8 X 1.25 X 20, Ss, Sems | 4 |
| | 17 | 1231373 | (10000000- 20000000) Frame, Column, Cntrl [Im], T600 | 1 |
| | 18 | 378969 | (10000000- 20000000) Clamp, Cable, Stl, 0.56d X 0.38w, 1hole | 1 |
| | 19 | 1248098 | (10982559- 20000000) Screw, Btn, Flng, M6 X 1.0 X 30, 10.9 | 1 |
| ▽ | 20 | 1073634 | (10000000- 20000000) Harness, Chrgr, 12ga [M8 Ring/M8 Ring] | 1 |
| ▲ | 21 | 605387 | (10000000- 20000000) Connector, Anderson, 050a, Red [W/O Con] | 1 |

▽ ASSEMBLY

▲ INCLUDED IN ASSEMBLY

LOWER CONSOLE GROUP, ON-BOARD CHARGER, TPPL BATTERY

355959



LOWER CONSOLE GROUP, ON-BOARD CHARGER, TPPL BATTERY

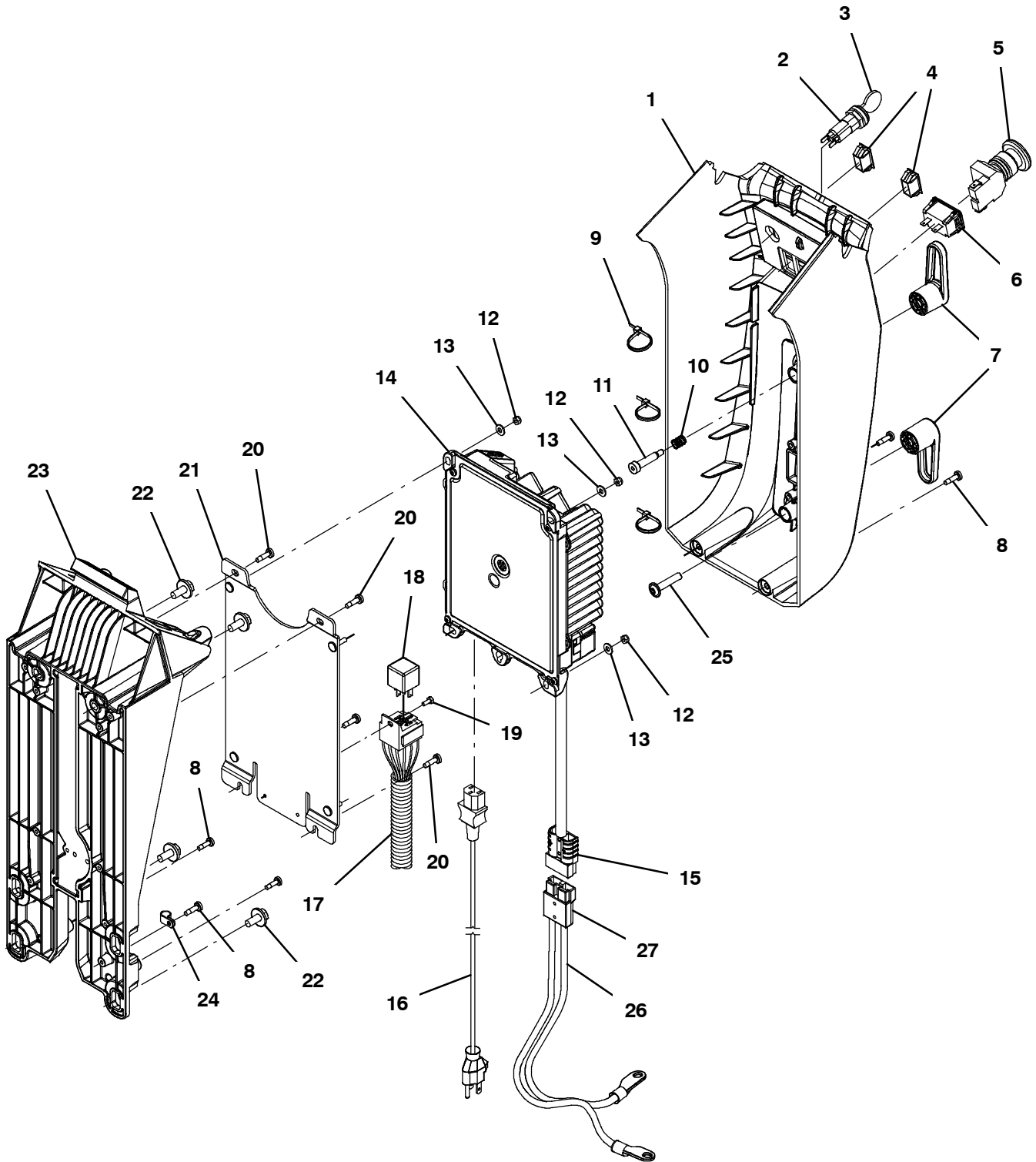
| Ref. | Part No. | Serial Number | Description | Qty. |
|------|----------|---------------|--|------|
| | 1 | 1203802 | (10000000-20000000) Cover, Column, Cntrl | 1 |
| ▽ | 2 | 1011402 | (10000000-20000000) Switch, Key | 1 |
| ▲ | 3 | 1017696 | (10000000-20000000) Key Set, Replmt [F/ Keyswitch 1011402] | 1 |
| | 4 | 582150 | (10000000-20000000) Plug, Hole, Rt, 1.23 X 1.12, Nyl | 2 |
| | 5 | 1011735 | (10000000-20000000) Switch, Safety, Shutoff | 1 |
| | 6 | 1064038 | (10000000-20000000) Gauge, Hourmeter, 05-277 Volt, Ac / Dc | 1 |
| | 7 | 1205496 | (10000000-20000000) Hook, Cord | 2 |
| | 8 | 1043573 | (10000000-20000000) Screw, #10-14 X 0.675, Spl[Shcs,Selftap] | 5 |
| | 9 | 130773 | (10000000-20000000) Tie, Cable, Nyl, 11.0l, .14w, 3.0 Max. D | 3 |
| | 10 | 611311 | (10982559-20000000) Spring, Cmpr, 0.40od .05wir 00.5l, Pl,Mw | 1 |
| | 11 | 1024965 | (10982559-20000000) Bolt, Shld, 08mmd X 030mm, M06 X 1.0 | 1 |
| | 12 | 06549 | (10000000-20000000) Nut, Hex, M5 X 0.80 X 16, 8.8 | 4 |
| | 13 | 01683 | (10000000-20000000) Washer, Flat, 10, Ss | 4 |
| ▽ | 14 | 1261728 | (10000000-20000000) Charger, 24vdc, 650w,100-240vac [On Brd] | 1 |
| ▲ | 15 | 605387 | (10000000-20000000) Connector, Anderson, 050a, Red [W/O Con] | 1 |
| ▽ | 14 | 1254123 | (10000000-20000000) Charger, 24vdc, 650w,100-240vac [On Brd] (Replaced By 1261728) | 1 |
| ▲ | 15 | 605387 | (10000000-20000000) Connector, Anderson, 050a, Red [W/O Con] | 1 |
| | 16 | 1025642 | (10000000-20000000) Cord, Power, 16/3, 15ft Blk [Us] | 1 |
| | 16 | 1026330 | (10000000-20000000) Cord, Power, 1.0mm2 [2.5meter, China] | 1 |
| | 16 | 1026325 | (10000000-20000000) Cord, Power, 1.0mm2/3 Blk[2.5meter, Aus] | 1 |
| | 16 | 1048304 | (10000000-20000000) Cord, Power [4.5meter, India, S.Africa] | 1 |
| | 17 | 1076909 | (10000000-20000000) Harness, Ele, Adaptor, Relay | 1 |
| | 18 | 49309 | (10000000-20000000) Relay, 24vdc, 015a, Spdt No | 1 |
| | 19 | 16944 | (10000000-20000000) Screw, Hex, M4 X 0.70 X 10, Fmg | 1 |
| | 20 | 1043573 | (10000000-20000000) Screw, #10-14 X 0.675, Spl[Shcs,Selftap] | 4 |
| | 21 | 1254600 | (10000000-20000000) Plate Wldt, Charger, Adapter | 1 |
| | 22 | 1020341 | (10000000-20000000) Screw, Hex, M8 X 1.25 X 20, Ss, Sems | 4 |
| | 23 | 1231373 | (10000000-20000000) Frame, Column, Cntrl [Im], T600 | 1 |
| | 24 | 378969 | (10000000-20000000) Clamp, Cable, Stl, 0.56d X 0.38w, 1hole | 1 |
| | 25 | 1248098 | (10982559-20000000) Screw, Btn, Flng, M6 X 1.0 X 30, 10.9 | 1 |
| ▽ | 26 | 1073634 | (10000000-20000000) Harness, Chrgr, 12ga [M8 Ring/M8 Ring] | 1 |
| ▲ | 27 | 605387 | (10000000-20000000) Connector, Anderson, 050a, Red [W/O Con] | 1 |

▽ ASSEMBLY

▲ INCLUDED IN ASSEMBLY

LOWER CONSOLE GROUP, ON-BOARD CHARGER 650W, LITHIUM-ION BATTERY

355959



LOWER CONSOLE GROUP, ON-BOARD CHARGER 650W, LITHIUM-ION BATTERY

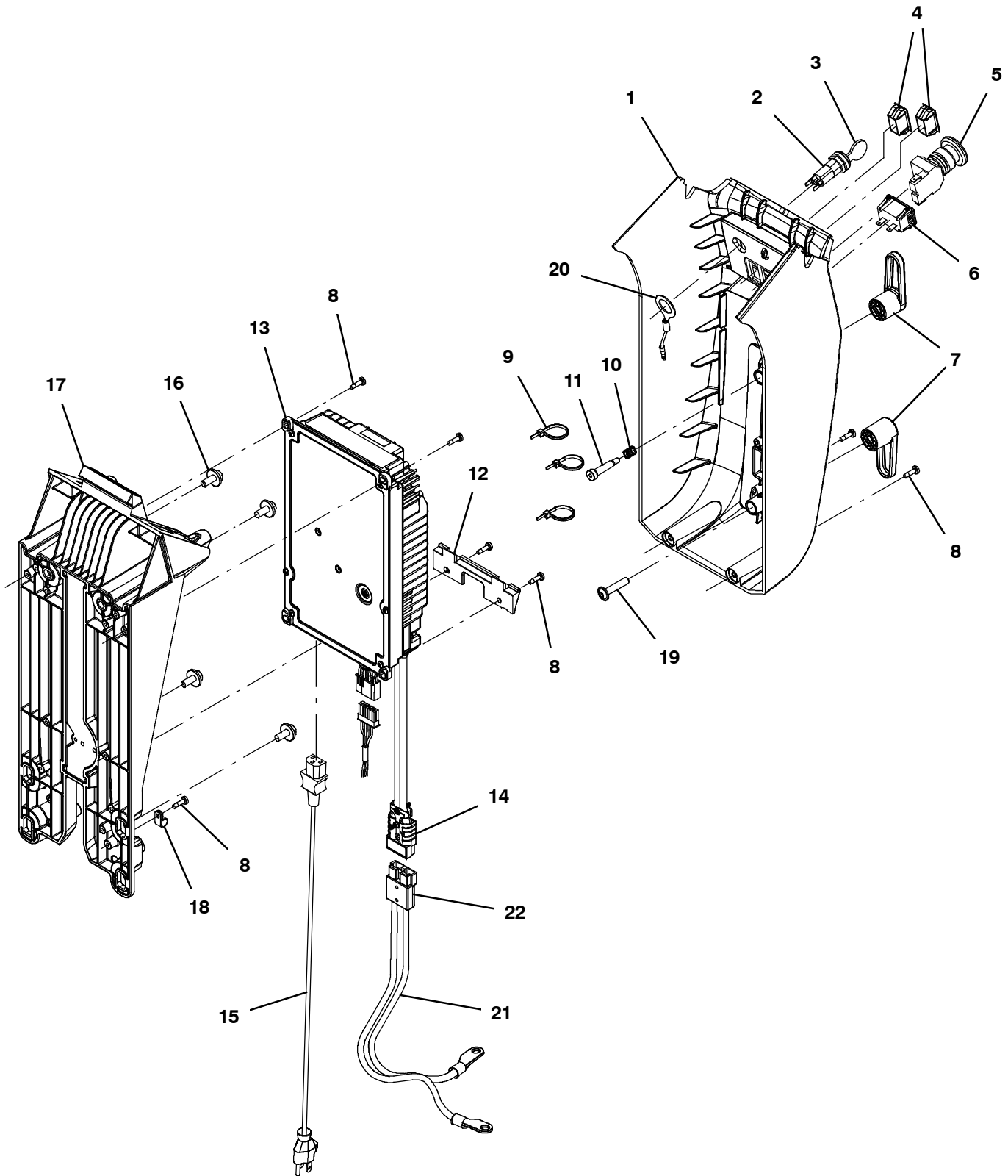
| Ref. | Part No. | Serial Number | Description | Qty. |
|------|----------|---------------|---|------|
| | 1 | 1203802 | (10000000- 20000000) Cover, Column, Cntrl | 1 |
| ▽ | 2 | 1011402 | (10000000- 20000000) Switch, Key | 1 |
| ▲ | 3 | 1017696 | (10000000- 20000000) Key Set, Replmt [F/ Keyswitch 1011402] | 1 |
| | 4 | 582150 | (10000000- 20000000) Plug, Hole, Rt, 1.23 X 1.12, Nyl | 2 |
| | 5 | 1011735 | (10000000- 20000000) Switch, Safety, Shutoff | 1 |
| | 6 | 1064038 | (10000000- 20000000) Gauge, Hourmeter, 05- 277 Volt, Ac / Dc | 1 |
| | 7 | 1205496 | (10000000- 20000000) Hook, Cord | 2 |
| | 8 | 1043573 | (10000000- 20000000) Screw, #10- 14 X 0.675, Spl[Shcs,Selftap] | 5 |
| | 9 | 130773 | (10000000- 20000000) Tie, Cable, Nyl, 11.0l, .14w, 3.0 Max. D | 3 |
| | 10 | 611311 | (10982559- 20000000) Spring, Cmpr, 0.40od .05wir 00.5l, Pl,Mw | 1 |
| | 11 | 1024965 | (10982559- 20000000) Bolt, Shld, 08mmd X 030mm, M06 X 1.0 | 1 |
| | 12 | 06549 | (10000000- 20000000) Nut, Hex, M5 X 0.80 X 16, 8.8 | 4 |
| | 13 | 01683 | (10000000- 20000000) Washer, Flat, 10, Ss | 4 |
| ▽ | 14 | 1261728 | (10000000- 20000000) Charger, 24vdc, 650w,100- 240vac [On Brd] | 1 |
| ▲ | 15 | 605387 | (10000000- 20000000) Connector, Anderson, 050a, Red [W/O Con] | 1 |
| | 16 | 1025642 | (10000000- 20000000) Cord, Power, 16/3, 15ft Blk [Us] | 1 |
| | 16 | 1026330 | (10000000- 20000000) Cord, Power, 1.0mm2 [2.5meter, China] | 1 |
| | 16 | 1026325 | (10000000- 20000000) Cord, Power, 1.0mm2/3 Blk[2.5meter, Aus] | 1 |
| | 16 | 1048304 | (10000000- 20000000) Cord, Power [4.5meter, India, S.Africa] | 1 |
| | 17 | 1076909 | (10000000- 20000000) Harness, Ele, Adaptor, Relay | 1 |
| | 18 | 49309 | (10000000- 20000000) Relay, 24vdc, 015a, Spdt No | 1 |
| | 19 | 16944 | (10000000- 20000000) Screw, Hex, M4 X 0.70 X 10, Fmg | 1 |
| | 20 | 1043573 | (10000000- 20000000) Screw, #10- 14 X 0.675, Spl[Shcs,Selftap] | 4 |
| | 21 | 1254600 | (10000000- 20000000) Plate Wldt, Charger, Adapter | 1 |
| | 22 | 1020341 | (10000000- 20000000) Screw, Hex, M8 X 1.25 X 20, Ss, Sems | 4 |
| | 23 | 1231373 | (10000000- 20000000) Frame, Column, Cntrl [Im], T600 | 1 |
| | 24 | 378969 | (10000000- 20000000) Clamp, Cable, Stl, 0.56d X 0.38w, 1hole | 1 |
| | 25 | 1248098 | (10982559- 20000000) Screw, Btn, Flng, M6 X 1.0 X 30, 10.9 | 1 |
| ▽ | 26 | 1267308 | (10000000- 20000000) Harness, Chrgr, 10ga [M8 Ring/M8ring] | 1 |
| ▲ | 27 | 605387 | (10000000- 20000000) Connector, Anderson, 050a, Red [W/O Con] | 1 |

▽ ASSEMBLY

▲ INCLUDED IN ASSEMBLY

LOWER CONSOLE GROUP, ON-BOARD CHARGER 1000W, LITHIUM-ION BATTERY

355960



LOWER CONSOLE GROUP, ON- BOARD CHARGER 1000W, LITHIUM- ION BATTERY

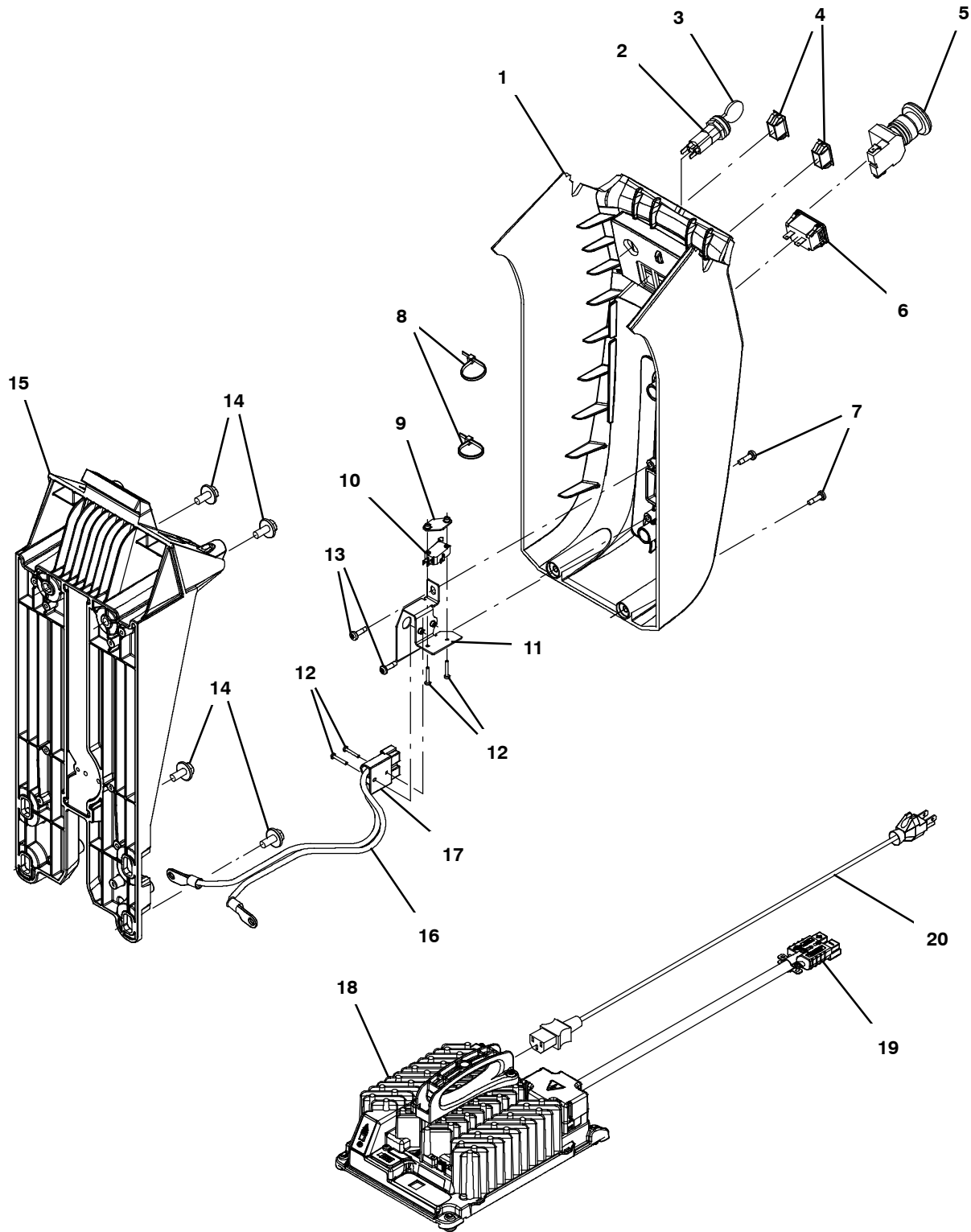
| Ref. | Part No. | Serial Number | Description | Qty. |
|------|----------|---------------|---|------|
| | 1 | 1203802 | (10000000- 20000000) Cover, Column, Cntrl | 1 |
| ▽ | 2 | 1011402 | (10000000- 20000000) Switch, Key | 1 |
| ▲ | 3 | 1017696 | (10000000- 20000000) Key Set, Replmt [F/ Keyswitch 1011402] | 1 |
| | 4 | 582150 | (10000000- 20000000) Plug, Hole, Rt, 1.23 X 1.12, Nyl | 2 |
| | 5 | 1011735 | (10000000- 20000000) Switch, Safety, Shutoff | 1 |
| | 6 | 1064038 | (10000000- 20000000) Gauge, Hourmeter, 05- 277 Volt, Ac / Dc | 1 |
| | 7 | 1205496 | (10000000- 20000000) Hook, Cord | 2 |
| | 8 | 1043573 | (10000000- 20000000) Screw, #10- 14 X 0.675, Spl[Shcs,Selftap] | 9 |
| | 9 | 130773 | (10000000- 20000000) Tie, Cable, Nyl, 11.0l, .14w, 3.0 Max. D | 3 |
| | 10 | 611311 | (10982502- 20000000) Spring, Cmpr, 0.40od .05wir 00.5l, Pl,Mw | 1 |
| | 11 | 1024965 | (10982502- 20000000) Bolt, Shld, 08mmd X 030mm, M06 X 1.0 | 1 |
| | 12 | 1231133 | (10000000- 20000000) Bracket, Mtg, Chrgr, Plastic | 1 |
| ▽ | 13 | 1259768 | (10000000- 20000000) Charger, 24vdc 1000w 100- 240vac [On Brd] | 1 |
| ▲ | 14 | 605387 | (10000000- 20000000) Connector, Anderson, 050a, Red [W/O Con] | 1 |
| | 15 | 1025642 | (10000000- 20000000) Cord, Power, 16/3, 15ft Blk [Us] | 1 |
| | 15 | 1026330 | (10000000- 20000000) Cord, Power, 1.0mm2 [2.5meter, China] | 1 |
| | 15 | 1026325 | (10000000- 20000000) Cord, Power, 1.0mm2/3 Blk[2.5meter, Aus] | 1 |
| | 15 | 1048304 | (10000000- 20000000) Cord, Power [4.5meter, India, S.Africa] | 1 |
| | 16 | 1020341 | (10000000- 20000000) Screw, Hex, M8 X 1.25 X 20, Ss, Sems | 4 |
| | 17 | 1231373 | (10000000- 20000000) Frame, Column, Cntrl [Im], T600 | 1 |
| | 18 | 26395- 2 | (10000000- 20000000) Clamp, Cable, Stl, 0.38d X 0.38w, 1hole | 1 |
| | 19 | 1248098 | (10982502- 20000000) Screw, Btn, Flng, M6 X 1.0 X 30, 10.9 | 1 |
| | 20 | 1073037 | (10000000- 20000000) Harness, Ele [Key Sw.,Static Gnd] | 1 |
| ▽ | 21 | 1267308 | (10000000- 20000000) Harness, Chrgr, 10ga [M8 Ring/M8ring] | 1 |
| ▲ | 22 | 605387 | (10000000- 20000000) Connector, Anderson, 050a, Red [W/O Con] | 1 |

▽ ASSEMBLY

▲ INCLUDED IN ASSEMBLY

LOWER CONSOLE GROUP, OFF-BOARD CHARGER

355445



LOWER CONSOLE GROUP, OFF- BOARD CHARGER

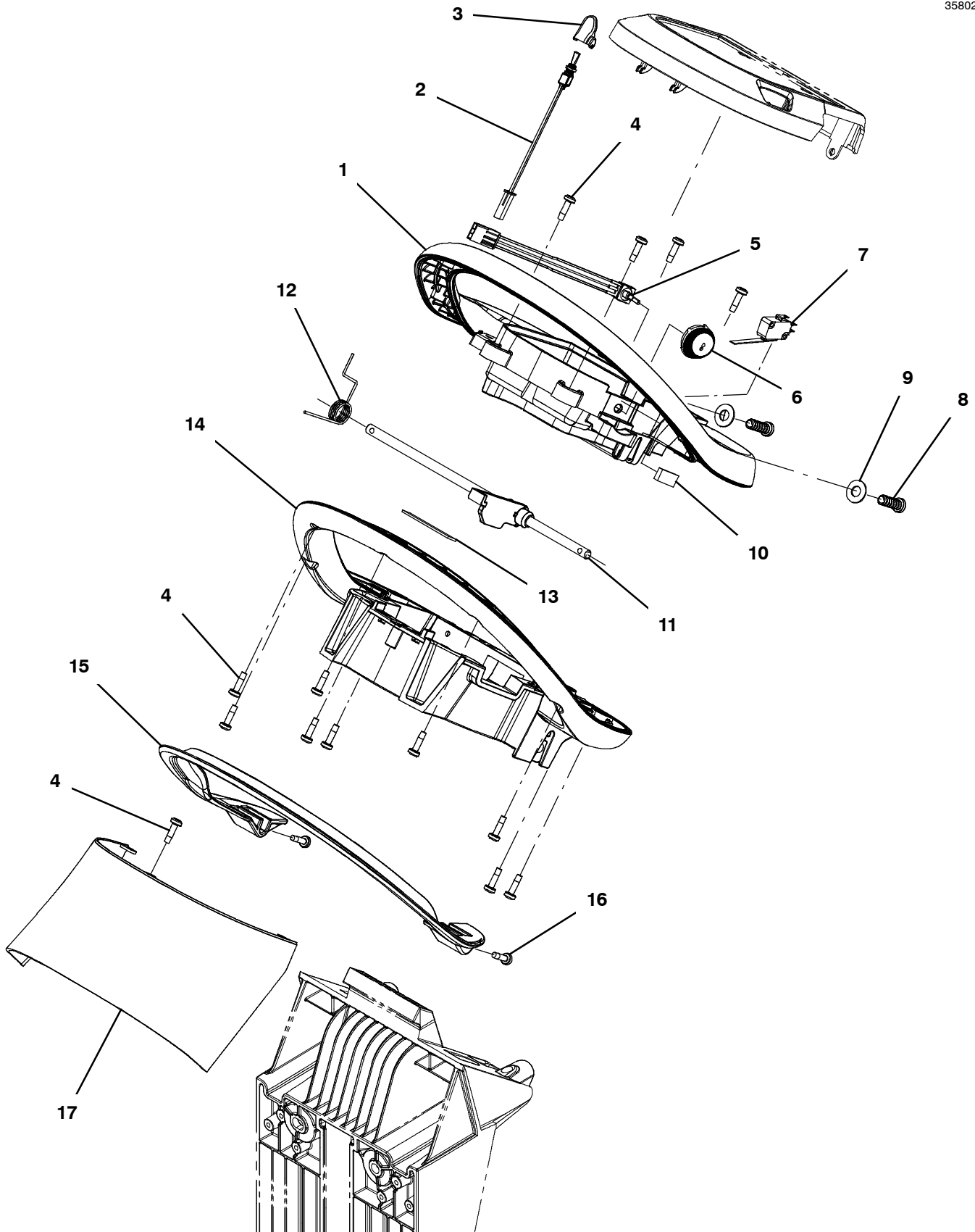
| Ref. | Part No. | Serial Number | Description | Qty. |
|------|----------|---------------|--|------|
| | 1 | 1203802 | (10000000- 20000000) Cover, Column, Cntrl | 1 |
| ▽ | 2 | 1011402 | (10000000- 20000000) Switch, Key | 1 |
| ▲ | 3 | 1017696 | (10000000- 20000000) Key Set, Replmt [F/ Keyswitch 1011402] | 1 |
| | 4 | 582150 | (10000000- 20000000) Plug, Hole, Rt, 1.23 X 1.12, Nyl | 2 |
| | 5 | 1011735 | (10000000- 20000000) Switch, Safety, Shutoff | 1 |
| | 6 | 1064038 | (10000000- 20000000) Gauge, Hourmeter, 05- 277 Volt, Ac / Dc | 1 |
| | 7 | 1043573 | (10000000- 20000000) Screw, #10- 14 X 0.675, Spl[Shcs,Selftap] | 2 |
| | 8 | 130773 | (10000000- 20000000) Tie, Cable, Nyl, 11.0l, .14w, 3.0 Max. D | 2 |
| | 9 | 1013705 | (10000000- 20000000) Plate, Thread, Switch, M3 Nut, 96hr PI | 1 |
| | 10 | 1215716 | (10000000- 20000000) Switch, 0.1a, Spdt[Micro, Gold Contacts] | 1 |
| | 11 | 1208599 | (10000000- 20000000) Bracket Assy, Plug, Charger | 1 |
| | 12 | 06922 | (10000000- 20000000) Screw, Pan, Phl, M3 X 0.50 X 20, 4.8 | 4 |
| | 13 | 1043573 | (10000000- 20000000) Screw, #10- 14 X 0.675, Spl[Shcs,Selftap] | 2 |
| | 14 | 1020341 | (10000000- 20000000) Screw, Hex, M8 X 1.25 X 20, Ss, Sems | 4 |
| | 15 | 1231373 | (10000000- 20000000) Frame, Column, Cntrl [Im], T600 | 1 |
| ▽ | 16 | 1073634 | (10000000- 20000000) Harness, Chrgr, 12ga [M8 Ring/M8 Ring] (Wet & AGM Batteries) | 1 |
| ▲ | 17 | 605387 | (10000000- 20000000) Connector, Anderson, 050a, Red [W/O Con] | 1 |
| ▽ | 16 | 1267308 | (10000000- 20000000) Harness, Chrgr, 10ga [M8 Ring/M8 Ring] (Lithium- Ion Batteries) | 1 |
| ▲ | 17 | 605387 | (10000000- 20000000) Connector, Anderson, 050a, Red [W/O Con] | 1 |
| ▽ | 18 | 9015391 | (10000000- 20000000) Charger Assy, Off- Board [T500/T500e] (Wet & AGM Batteries) | 1 |
| ▲ | 19 | 605387 | (10000000- 20000000) Connector, Anderson, 050a, Red [W/O Con] | 1 |
| ▽ | 18 | 9021961 | (10000000- 20000000) Charger, Replmt, Li- Ion, 24v, 650w (Lithium- Ion Batteries) | 1 |
| ▲ | 19 | 605387 | (10000000- 20000000) Connector, Anderson, 050a, Red [W/O Con] | 1 |
| | 20 | 1025642 | (10000000- 20000000) Cord, Power, 16/3, 15ft Blk [Us] | 1 |
| | 20 | 1026330 | (10000000- 20000000) Cord, Power, 1.0mm2 [2.5meter] | 1 |
| | 20 | 1026325 | (10000000- 20000000) Cord, Power, 1.0mm2/3 Blk[2.5meter, Aus] | 1 |
| | 20 | 1048304 | (10000000- 20000000) Cord, Power [4.5meter, India, S.Africa] | 1 |

▽ ASSEMBLY

▲ INCLUDED IN ASSEMBLY

CONSOLE HANDLE GROUP, PROPEL

358025



CONSOLE HANDLE GROUP, PROPEL

| Ref. | Part No. | Serial Number | Description | Qty. |
|------|----------|-----------------------|---|------|
| 1 | 1203787 | (10000000- 20000000) | Housing, Handle, Cntrl, Top | 2 |
| 2 | 1209673 | (10000000- 20000000) | Switch Assy, Toggle, Direction | 1 |
| 3 | 1209730 | (10000000- 20000000) | Cap, Toggle, Direction | 1 |
| 4 | 1043573 | (10000000- 20000000) | Screw, #10- 14 X 0.675, Spl[Shcs,Selftap] | 15 |
| 5 | 1256757 | (11008828- 20000000) | Potentiometer [100k, 1 Turn, Multi- Mach] | 1 |
| 5 | 1246392 | (10947727- 11008827) | Potentiometer [100k, 1 Turn, B5/B7] (Rpld By 1256757) | 1 |
| 5 | 1204930 | (10000000- 10947726) | Potentiometer [100k, 1 Turn, B5/B7] (Rpld By 1256757) | 1 |
| 6 | 1234365 | (10000000- 20000000) | Dial, Range, Speed | 1 |
| 7 | 1205323 | (10000000- 20000000) | Switch, 0.1a, Spdt [Micro, Straight] | 1 |
| 8 | 1215863 | (10000000- 20000000) | Screw, Pan, Torx, M8 X 3.5 X 25[Remform] | 2 |
| 9 | 140027 | (10000000- 20000000) | Washer, Flat, 0.35b 0.75d .04, Ss | 2 |
| 10 | 1063909 | (MAR2020- 20000000) | Seal, Afmkt, Rbr, Clsd, Adh, 01ft | 1 |
| 11 | 1205143 | (10000000- 20000000) | Shaft Assy, Bail, Handle | 1 |
| 12 | 1205781 | (10000000- 20000000) | Spring, Return, Bail | 1 |
| 13 | 1020280 | (10000000- 20000000) | Seal, Afmkt, Rbr, Clsd, Adh, 01ft | 1 |
| 14 | 1222608 | (10000000- 20000000) | Housing, Handle, Cntrl, Bottom, Slotted | 1 |
| 15 | 1205778 | (10000000- 20000000) | Handle, Bail [Machined] | 1 |
| 16 | 1205799 | (10000000- 20000000) | Screw, Btn, M5 X 0.8 X 16, 8.8, NI, Torx | 2 |
| 17 | 1207004 | (10000000- 20000000) | Cover, Handle, Cntrl | 1 |

CONSOLE PANEL, PRO-MEMBRANE, WITHOUT TELEMETRY

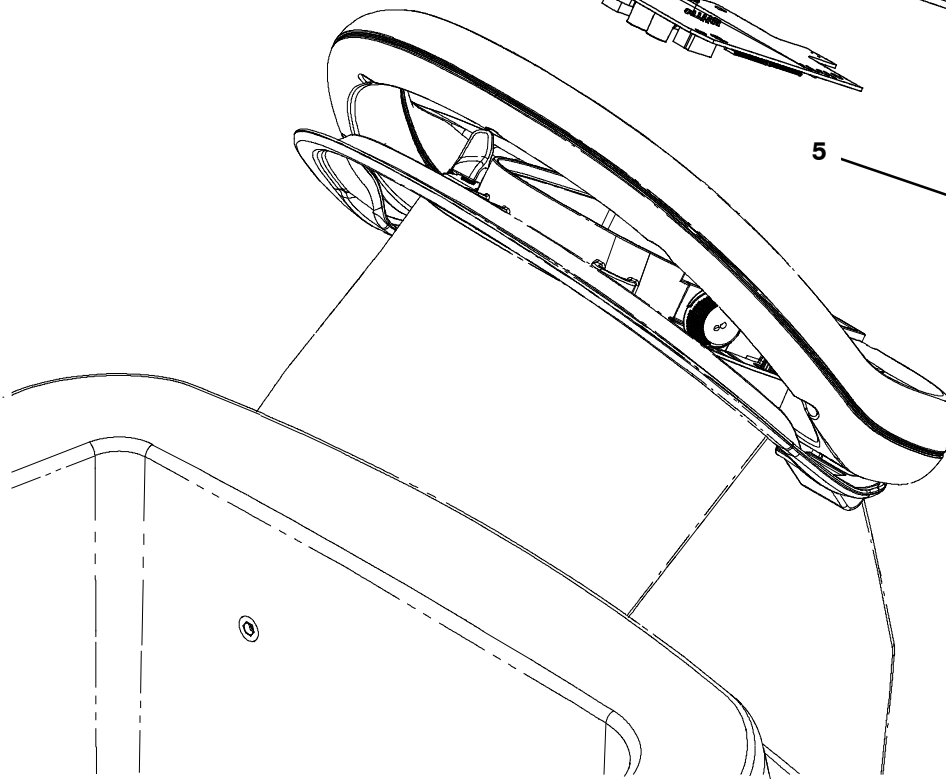
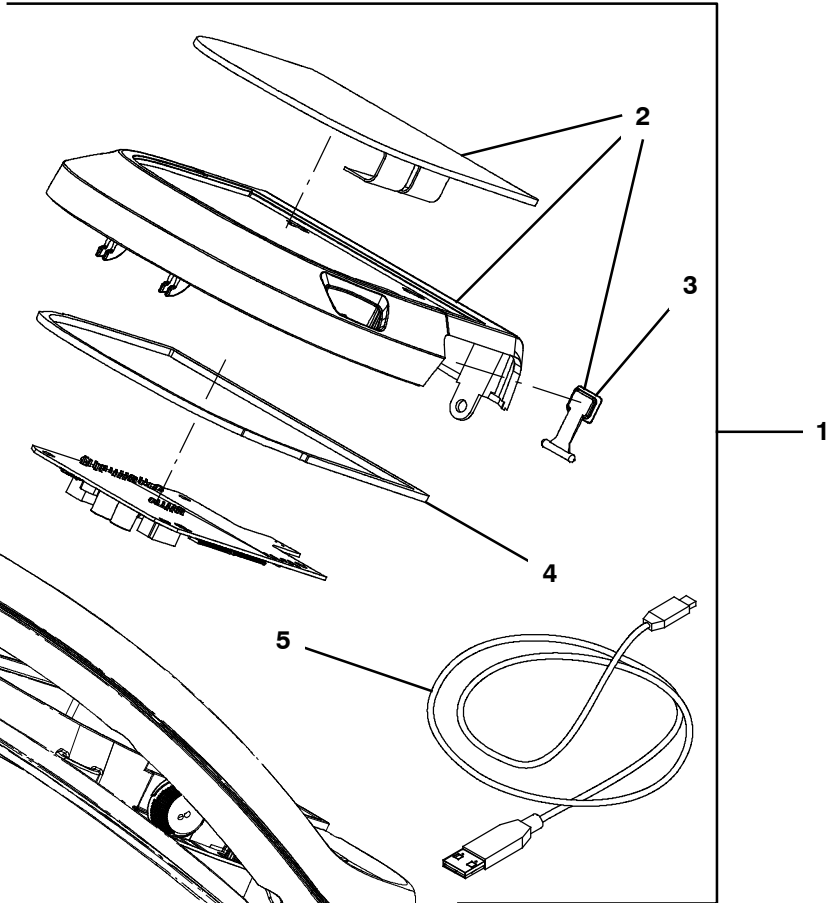
358026

Membrane Replacement
Order 9021919

Note Visual
Difference
Only When
Illuminated



Membrane Replacement
Order 9021887



CONSOLE PANEL, PRO-MEMBRANE, WITHOUT TELEMETRY

| | Ref. | Part No. | Serial Number | Description | Qty. |
|----|-------------|-----------------|-----------------------|---|-------------|
| ▽ | 1 | 9021887* | (11062242- 20000000) | Bezel Kit, Membrane, Ci [T500/T600] | 1 |
| ▲▽ | 2 | 9021919** | (11062242- 20000000) | Screen Kit, Membrane, Ci [T500/T600] | 1 |
| ▲▲ | 3 | 1205618 | (10000000- 20000000) | Cap, Usb | 1 |
| ▲▲ | 4 | 1245824 | (MAR2020- 20000000) | Gasket, Console | 1 |
| ▲ | 5 | 1071235 | (10000000- 20000000) | Cable [Usb, 2m, A- Male To Mini- B- Male] | 1 |
| ▽ | 1 | 9015778* | (10000000- 11062241) | Bezel Kit, Membrane [T500] (Replaced By 9021887*) | 1 |
| ▲▽ | 2 | 9015779** | (10000000- 11062241) | Screen Kit [T500] (Replaced By 9021887*) | 1 |
| ▲▲ | 3 | 1205618 | (10000000- 20000000) | Cap, Usb | 1 |
| ▲▲ | 4 | 1245824 | (MAR2020- 20000000) | Gasket, Console | 1 |
| ▲ | 5 | 1071235 | (10000000- 20000000) | Cable [Usb, 2m, A- Male To Mini- B- Male] | 1 |

* Requires Tennant *True* service or an authorized Tennant service provider.

** Before Ordering Screen Kit Confirm Screen Visually Matches Correct Screen Image.

▽ ASSEMBLY

▲ INCLUDED IN ASSEMBLY

CONSOLE PANEL, PRO-PANEL LCD, WITHOUT TELEMETRY

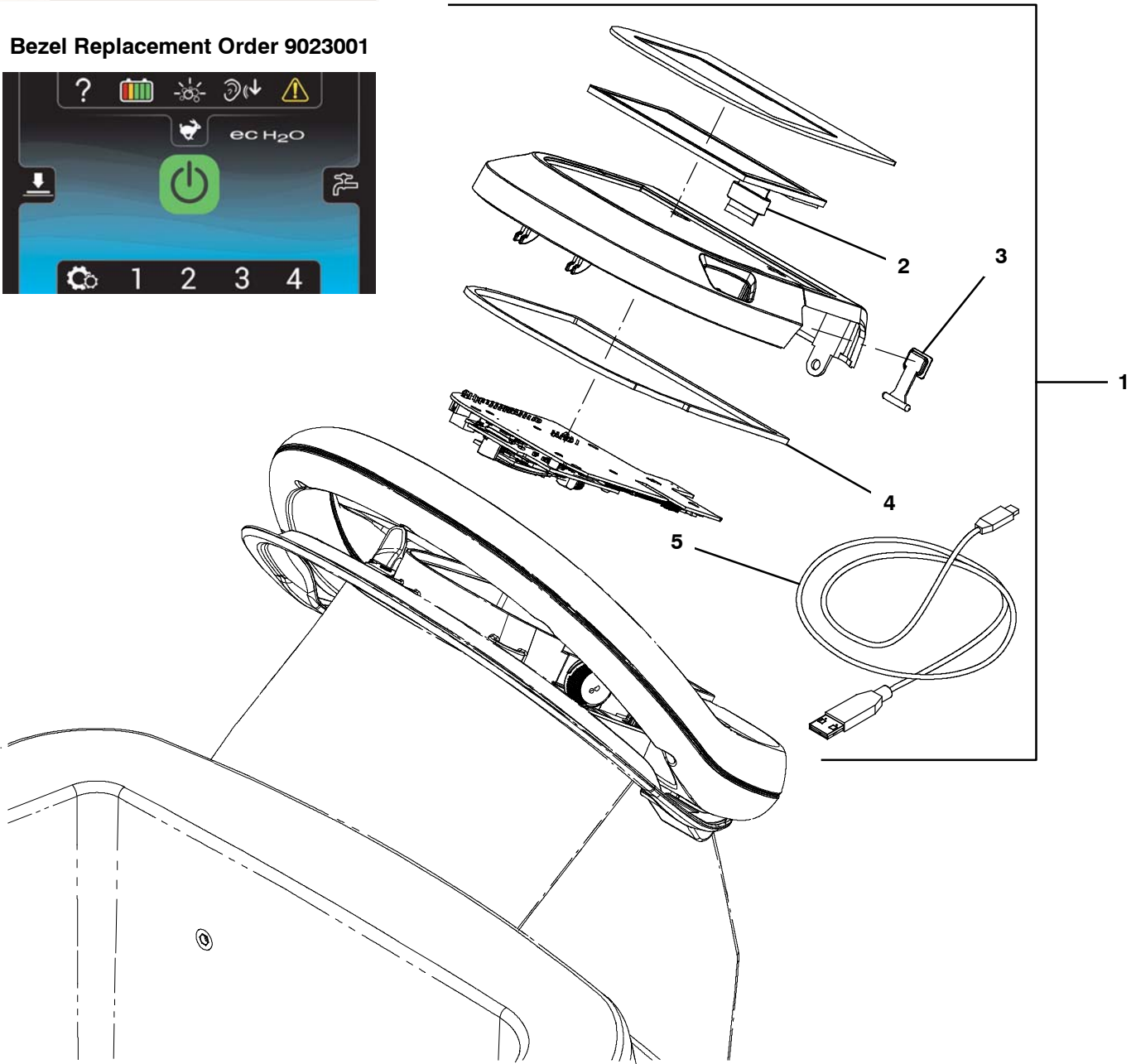
358029

Bezel Replacement Order 9021644



Note Visual Difference Only When Illuminated

Bezel Replacement Order 9023001



CONSOLE PANEL, PRO-PANEL LCD, WITHOUT TELEMETRY

| | Ref. | Part No. | Serial Number | Description | Qty. |
|---|------|----------|-----------------------|---|------|
| ▽ | 1 | 9021644* | (11099113- 20000000) | Bezel Kit, Propel, Pro- Panl, Ci | 1 |
| ▲ | 2 | 1233769 | (10000000- 20000000) | Inductor, Ribbon Cable | 1 |
| ▲ | 3 | 1205618 | (10000000- 20000000) | Cap, Usb | 1 |
| ▲ | 4 | 1245824 | (MAR2020- 20000000) | Gasket, Console | 1 |
| ▲ | 5 | 1071235 | (10000000- 20000000) | Cable [Usb, 2m, A- Male To Mini- B- Male] | 1 |
| ▽ | 1 | 9014135* | (10000000- 11099112) | Bezel Kit, Propel, Lcd Pro- Pnl, Ci (Replaced By 9023001*) | 1 |
| ▲ | 2 | 1233769 | (10000000- 20000000) | Inductor, Ribbon Cable | 1 |
| ▲ | 3 | 1205618 | (10000000- 20000000) | Cap, Usb | 1 |
| ▲ | 4 | 1245824 | (MAR2020- 20000000) | Gasket, Console | 1 |
| ▲ | 5 | 1071235 | (10000000- 20000000) | Cable [Usb, 2m, A- Male To Mini- B- Male] | 1 |

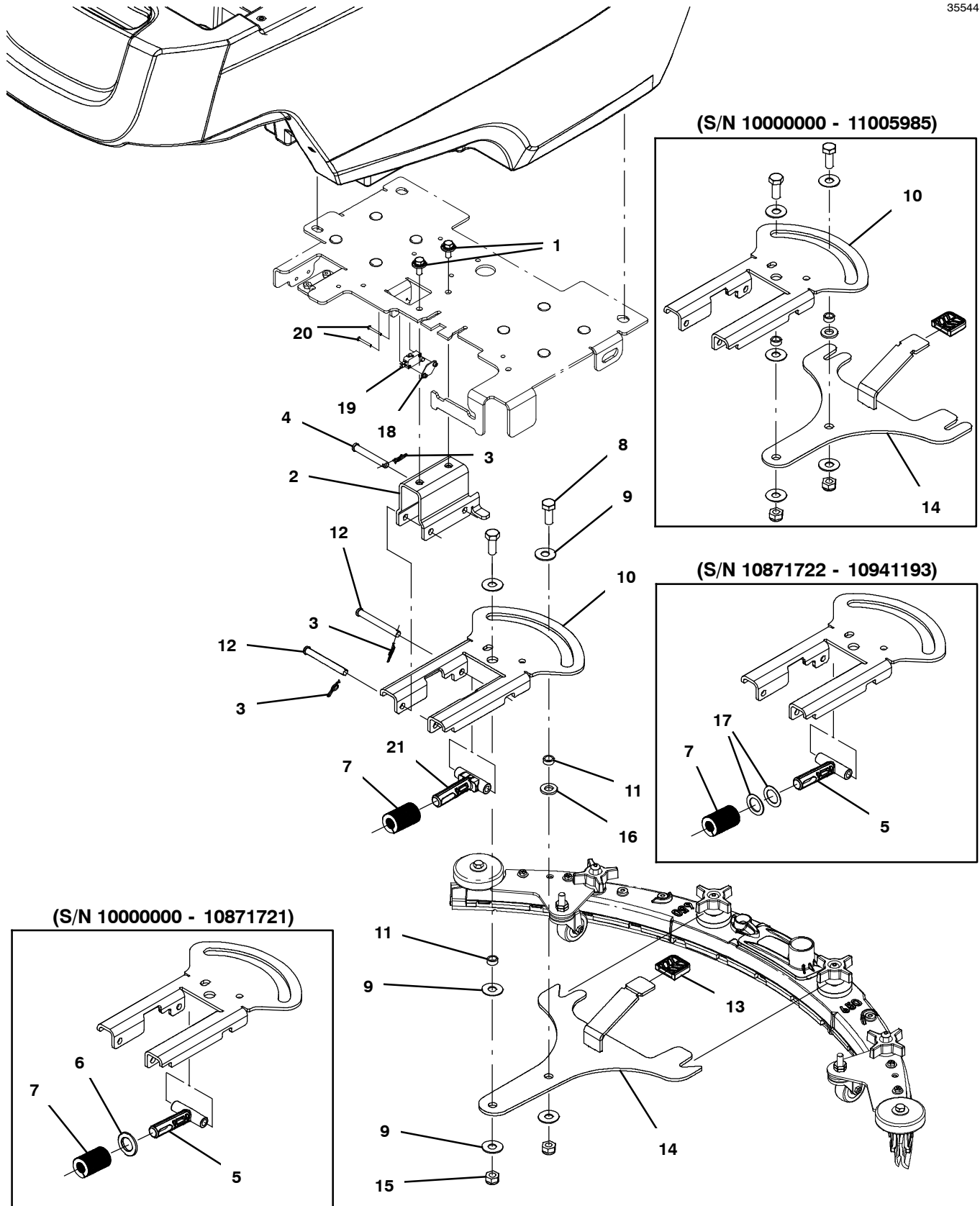
* Requires Tennant *True* service or an authorized Tennant service provider.

▽ ASSEMBLY

▲ INCLUDED IN ASSEMBLY

SQUEEGEE LIFT GROUP

355441

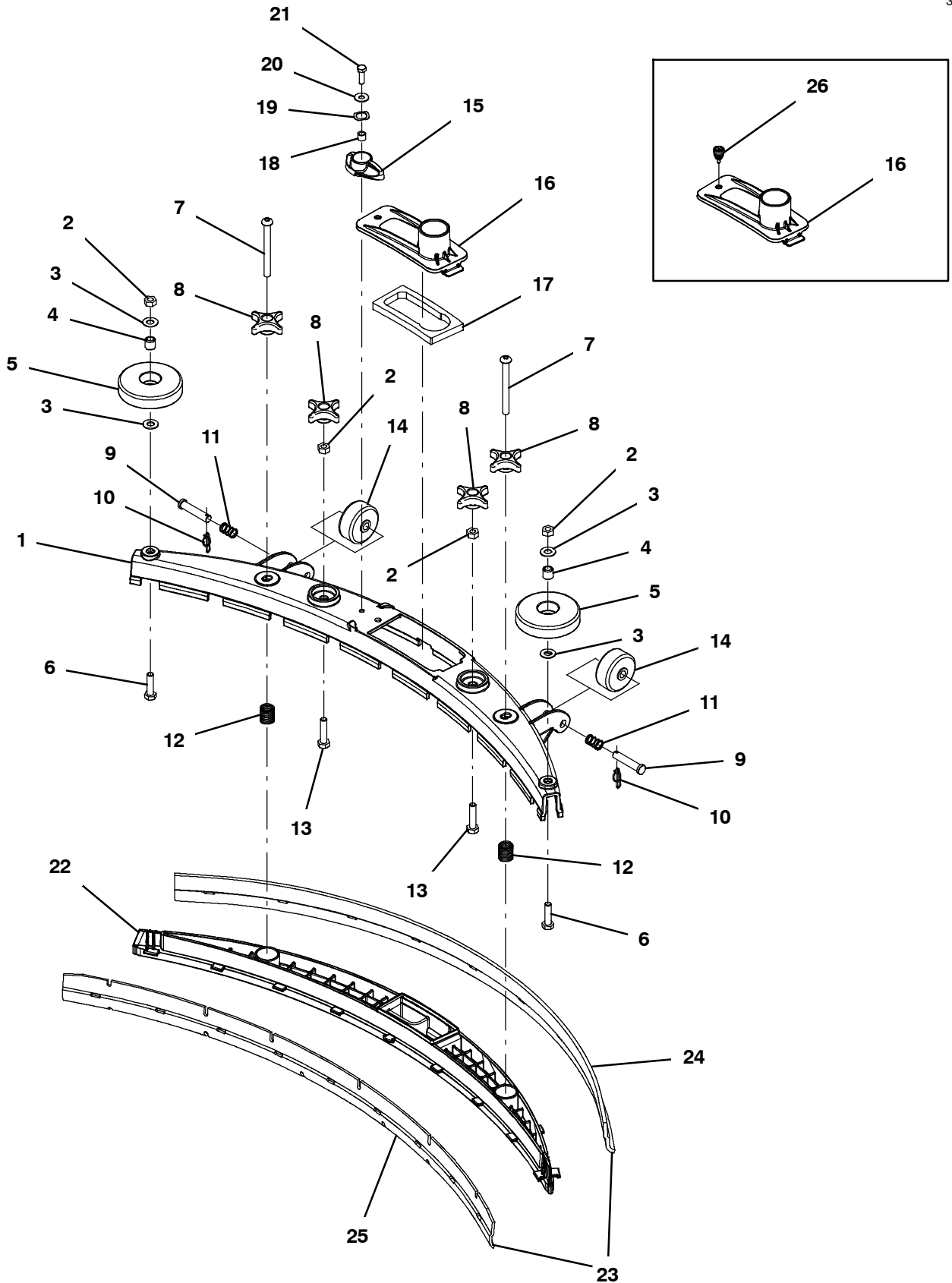


SQUEEGEE LIFT GROUP

| Ref. | Part No. | Serial Number | Description | Qty. |
|------|----------|-----------------------|---|------|
| 1 | 1020341 | (10000000- 20000000) | Screw, Hex, M8 X 1.25 X 20, Ss, Sems | 2 |
| 2 | 1221959 | (10000000- 20000000) | Bracket, Wldt, Lift, Sqge [T500] | 1 |
| 3 | 1216647 | (10000000- 20000000) | Pin, Cotter, Hair, 0.38d .054 Wir | 3 |
| 4 | 391179 | (10000000- 20000000) | Pin, Clevis, 0.37d X 2.62l | 1 |
| 5 | 1230368 | (10000000- 10941193) | Guide, Spring (Replaced by 9016898) | 1 |
| 6 | 1225960 | (10000000- 10871721) | Washer, Thrust, 0.89b 1.50d 0.13w, Bnz | 1 |
| 7 | 1253245 | (10997797- 20000000) | Spring, Cmpr, 1.4od, .874id, .263d, 2.0l | 1 |
| 7 | 1228773 | (10000000- 10997796) | Spring, Cmpr, 1.25od, .625id, 2.0l (Replaced By 1253245) | 1 |
| 8 | 12309 | (10000000- 20000000) | Screw, Hex, M12 X 1.75 X 30, Ss | 2 |
| 9 | 140045 | (10000000- 20000000) | Washer, Flat, 0.51b 1.25d .06, Ss | 5 |
| 10 | 1255528 | (11005986- 20000000) | Bracket, Pivot, Sqge [T500] | 1 |
| 10 | 1219466 | (10000000- 11005985) | Bracket, Pivot, Sqge [T500] | 1 |
| 11 | 1013662 | (10000000- 20000000) | Bushing, Sleeve, 12mmb 16mmd 7mml, Pm Yel | 2 |
| 12 | 57598 | (10000000- 20000000) | Pin, Clevis, 0.37d X 3.25l | 2 |
| 13 | 1212533 | (10000000- 20000000) | Cover, Pedal, Lift | 1 |
| 14 | 1246993 | (11005986- 20000000) | Bracket Wldt, Mtg, Sqge [T500] | 1 |
| 14 | 1220505 | (10000000- 11005985) | Bracket Wldt, Mtg, Sqge [T500] | 1 |
| 15 | 09741 | (10000000- 20000000) | Nut, Hex, Lock, M12 X 1.75, NI, Ss | 2 |
| 16 | 140127 | (10000000- 20000000) | Washer, Thrust, 0.51b 1.00d 0.12w, Brz | 1 |
| 17 | 82226 | (10871722- 10941193) | Washer, Flat, 0.91b 1.38d .06, Stl, PI | 2 |
| 18 | 1013705 | (10000000- 20000000) | Plate, Thread, Switch, M3 Nut, 96hr PI | 1 |
| 19 | 1215716 | (10000000- 20000000) | Switch, 0.1a, Spdt[Micro, Gold Contacts] | 1 |
| 20 | 33933 | (10000000- 20000000) | Screw, Pan, Phl, M3 X 0.50 X 25, Ss | 2 |
| 21 | 1235860 | (10941194- 20000000) | Guide, Spring | 1 |

SQUEEGEE ASSEMBLY, 500MM / 20IN

355437



SQUEEGEE ASSEMBLY, 500MM / 20IN

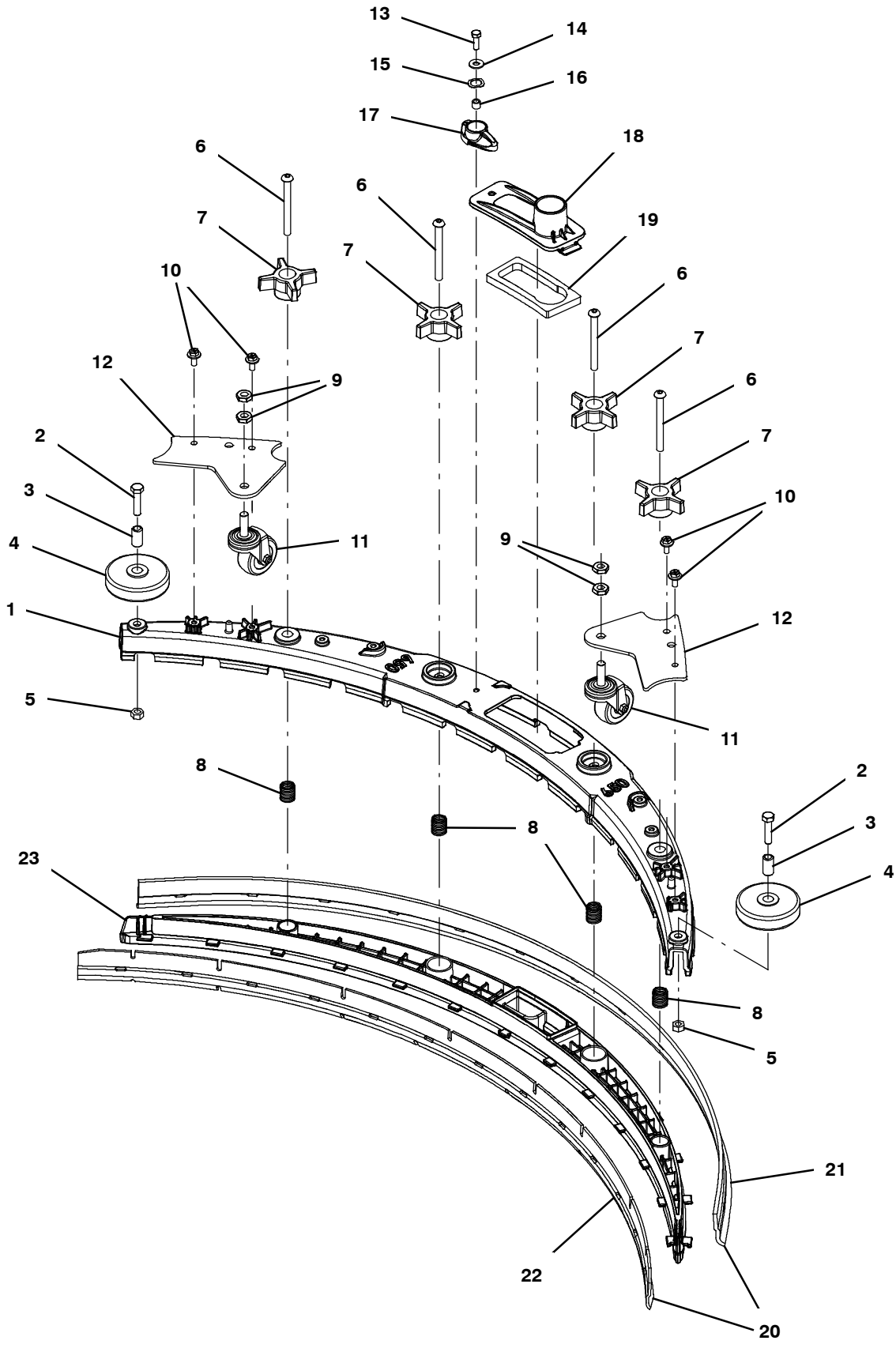
| Ref. | Part No. | Serial Number | Description | Qty. |
|------|------------|-----------------------|---|------|
| ▽ | 9014172 | (10000000- 20000000) | Squeegee Kit, Linatex, Ci [T300/E/Ss300] | 1 |
| ▲ | 1 1230946 | (10000000- 20000000) | Frame, Sqge, 50cm, Mach [T300] | 1 |
| ▲ | 2 07786 | (10000000- 20000000) | Nut, Hex, Std, M8 X 1.25, Ss | 2 |
| ▲ | 3 140027 | (10000000- 20000000) | Washer, Flat, 0.35b 0.75d .04, Ss | 4 |
| ▲ | 4 222460 | (10000000- 20000000) | Sleeve, P/M, 0.32b 0.50d 0.5l [430ss] | 2 |
| ▲ | 5 1010560 | (10000000- 20000000) | Wheel, Bmpr, 80d X 25w, Non- Marking | 2 |
| ▲ | 6 1016399 | (10000000- 20000000) | Screw, Hex, M8 X 1.25 X 30, NI, Ss | 2 |
| ▲ | 7 1212755 | (10000000- 20000000) | Screw, Btn, M8 X 1.25 X 80, Ss | 2 |
| ▲ | 8 1213677 | (10000000- 20000000) | Knob, Star, 2.00od 4ear M8x1.25 [Yel] | 4 |
| ▲ | 9 17461 | (10000000- 20000000) | Pin, Clevis, 0.37d X 1.75l | 2 |
| ▲ | 10 1216647 | (10000000- 20000000) | Pin, Cotter, Hair, 0.38d .054 Wir | 2 |
| ▲ | 11 1017091 | (10000000- 20000000) | Spring, Cmpr, 0.50od .04wir 00.8l | 2 |
| ▲ | 12 22290 | (10000000- 20000000) | Spring, Cmpr, 0.72od .06wir 02.3l | 2 |
| ▲ | 13 09026 | (10000000- 20000000) | Screw, Hex, M8 X 1.25 X 40, Ss | 2 |
| ▲ | 14 630477 | (10000000- 20000000) | Wheel, Pyu, 02.0d 0.38w, Gray | 2 |
| ▲ | 15 1222109 | (xxxxxxx- 20000000) | Knob, Sqge, 58l, M6 X 1.00, Plstc | 1 |
| ▲ | 16 1209631 | (10000000- 20000000) | Cover, Trap, Water, Sqge | 1 |
| ▲ | 17 1210756 | (10000000- 20000000) | Gasket, Trap, Water, Sqge | 1 |
| ▲ | 18 140154 | (xxxxxxx- 20000000) | Sleeve, P/M, 0.25b 0.38d 0.3l, PI | 1 |
| ▲ | 19 140060 | (xxxxxxx- 20000000) | Washer, .505 X .750 X 0.45 Wave | 1 |
| ▲ | 20 01684 | (xxxxxxx- 20000000) | Washer, Flat, 0.27b 0.69d .05, Ss | 1 |
| ▲ | 21 12277 | (xxxxxxx- 20000000) | Screw, Hex, M6 X 1.00 X 20, NI, Ss | 1 |
| ▲ | 22 1203638 | (10000000- 20000000) | Retainer, Sqge [T300] | 1 |
| ▲▽ | 23 9015731 | (10000000- 20000000) | Blade Kit, 500mm, Linatex (Standard) | 1 |
| ▲▲ | 24 1203953 | (10000000- 20000000) | Blade, Sqge, Rear, 836l, Linatex[500mm] (Standard) | 1 |
| ▲▲ | 25 1203954 | (10000000- 20000000) | Blade, Sqge, Front, 788l, Linatex[500mm] (Standard) | 1 |
| ▽ | 23 9015732 | (10000000- 20000000) | Blade Kit, 500mm, Urethane (Option) | 1 |
| ▲ | 24 1215609 | (10000000- 20000000) | Blade, Sqge, Rear, 836l, Urethane[500mm] (Option) | 1 |
| ▲ | 25 1215611 | (10000000- 20000000) | Blade, Sqge, Front, 788l, Urethane[500mm] (Option) | 1 |
| ▽ | 23 9015730 | (10000000- 20000000) | Blade Kit, 500mm, Gum (Option) | 1 |
| ▲ | 24 1215610 | (10000000- 20000000) | Blade, Sqge, Rear, 836l, Gum[500mm] (Option) | 1 |
| ▲ | 25 1215612 | (10000000- 20000000) | Blade, Sqge, Front, 788l, Gum[500mm] (Option) | 1 |
| | 26 1212683 | (10000000- xxxxxxxx) | Screw, Captive, M5, Knurled [Snap In] | 1 |

▽ ASSEMBLY

▲ INCLUDED IN ASSEMBLY

SQUEEGEE ASSEMBLY, 650MM / 26IN
(New Style 9021741)

355838



**SQUEEGEE ASSEMBLY, 650MM / 26IN
(New Style 9021741)**

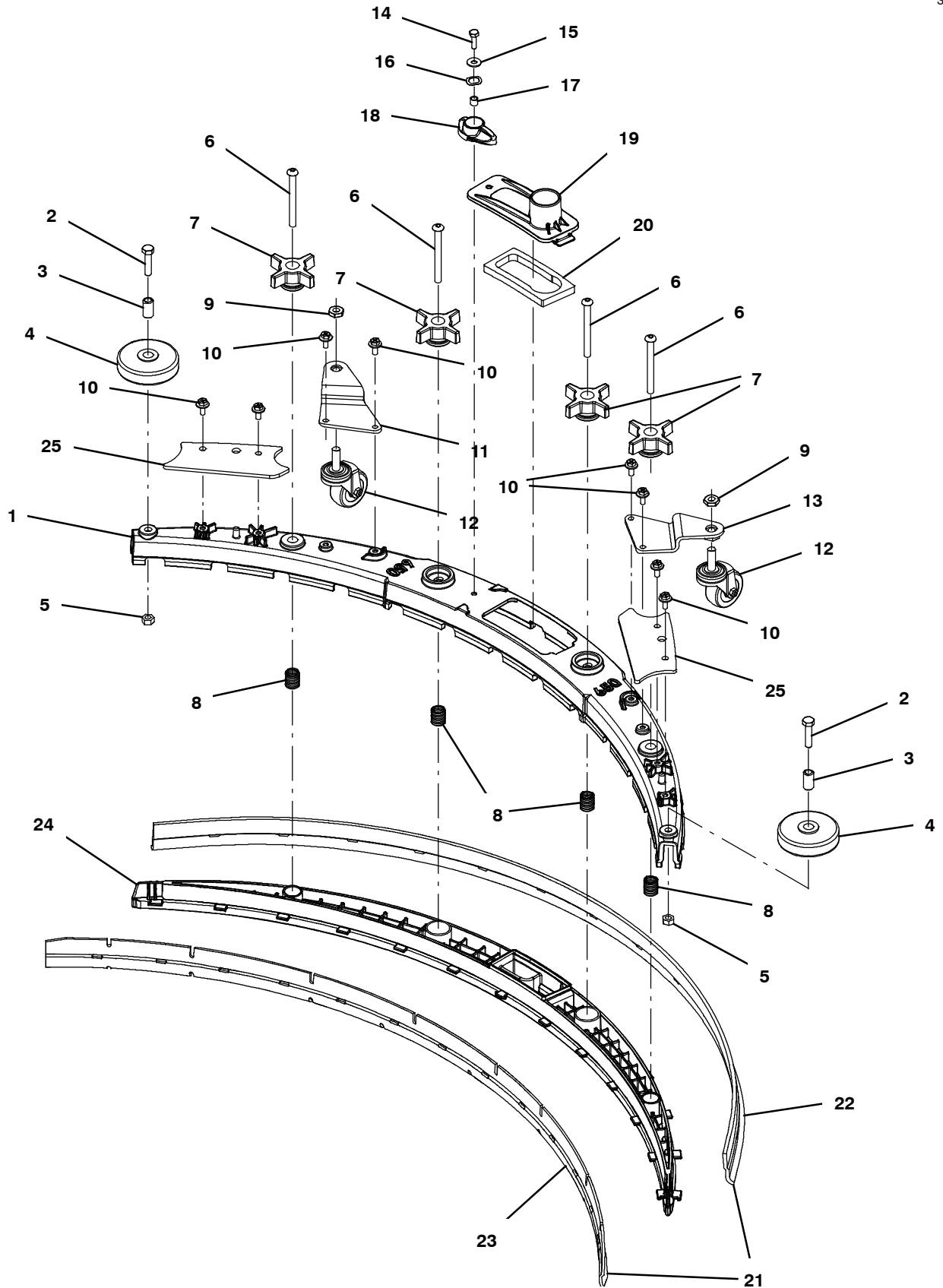
| Ref. | Part No. | Serial Number | Description | Qty. |
|------|------------|---------------------|---|------|
| ▽ | 9021741 | (11005986-20000000) | Squeegee Kit, 650mm | 1 |
| ▲ | 1 1243537 | (11005986-20000000) | Frame, Sqge, 65cm, Mach [T500/T600] | 1 |
| ▲ | 2 59658 | (10000000-20000000) | Screw, Hex, M8 X 1.25 X 35, NI, Ss | 2 |
| ▲ | 3 222496 | (10000000-20000000) | Sleeve, P/M, 0.32b 0.50d 0.9l [430ss] | 2 |
| ▲ | 4 222066 | (10000000-20000000) | Wheel, 03.0d 0.88w 0.50b | 2 |
| ▲ | 5 07786 | (10000000-20000000) | Nut, Hex, Std, M8 X 1.25, Ss | 2 |
| ▲ | 6 1255358 | (10000000-20000000) | Screw, Btn, M8 X 1.25 X 85, Ss | 4 |
| ▲ | 7 1074204 | (10000000-20000000) | Knob,Star,2.75d 4ear 1.1l M8x1.25,Thru,Y | 4 |
| ▲ | 8 22290 | (10000000-20000000) | Spring, Cmpr, 0.72od .06wir 02.3l | 4 |
| ▲ | 9 32716 | (11005986-20000000) | Nut, Hex, Jam, M10 X 1.5, Ss | 4 |
| ▲ | 10 1034731 | (10964903-20000000) | Screw, Hex, M6 X 1.00 X 16, Sems, Ss | 4 |
| ▲ | 11 1006343 | (10000000-20000000) | Caster, Swivel, 50mmd, M10 X 30, Clr PI | 2 |
| ▲ | 12 1243364 | (11005986-20000000) | Plate, Caster, Sqge | 2 |
| ▲ | 13 12277 | (10000000-20000000) | Screw, Hex, M6 X 1.00 X 20, NI, Ss | 1 |
| ▲ | 14 01684 | (10000000-20000000) | Washer, Flat, 0.27b 0.69d .05, Ss | 1 |
| ▲ | 15 140060 | (10000000-20000000) | Washer, Wave- Spring, .505 .750 .045 | 1 |
| ▲ | 16 140154 | (10000000-20000000) | Sleeve, P/M, 0.25b 0.38d 0.3l, PI | 1 |
| ▲ | 17 1222109 | (10000000-20000000) | Knob, Sqge, 58l, M6 X 1.00, Plstc | 1 |
| ▲ | 18 1209631 | (10000000-20000000) | Cover, Trap, Water, Sqge | 1 |
| ▲ | 19 1210756 | (10000000-20000000) | Gasket, Trap, Water, Sqge | 1 |
| ▲▽ | 20 9015734 | (10000000-20000000) | Blade Kit, 650mm, Linatex/Linard (Standard) | 1 |
| ▲▲ | 21 1221585 | (10000000-20000000) | Blade, Sqge, Rear, 1166l, Linatex[650mm] (Standard) | 1 |
| ▲▲ | 22 1232680 | (10000000-20000000) | Blade, Sqge, Front, 1072l Linard[650mm] (Standard) | 1 |
| ▲ | 23 1221260 | (10000000-20000000) | Retainer, Sqge, 65cm [T500] | 1 |
| ▽ | 20 9015735 | (10000000-20000000) | Blade Kit, 650mm, Urethane (Option) | 1 |
| ▲ | 21 1228909 | (10000000-20000000) | Blade, Sqge, Rear, 1136l,Urethane[650mm] (Option) | 1 |
| ▲ | 22 1228915 | (10000000-20000000) | Blade, Sqge, Front,1072l,Urethane[650mm] (Option) | 1 |
| ▽ | 20 9015733 | (10000000-20000000) | Blade Kit, 650mm, Gum (Option) | 1 |
| ▲ | 21 1228910 | (10000000-20000000) | Blade, Sqge, Rear, 1136l, Gum[650mm] (Option) | 1 |
| ▲ | 22 1228919 | (10000000-20000000) | Blade, Sqge, Front, 1072l Gum[650mm] (Option) | 1 |

▽ ASSEMBLY

▲ INCLUDED IN ASSEMBLY

SQUEEGEE ASSEMBLY, 650MM / 26IN
(Original Style 9015301 - Replaced By 9021741)

355438



SQUEEGEE ASSEMBLY, 650MM / 26IN
(Original Style 9015301 - Replaced By 9021741)

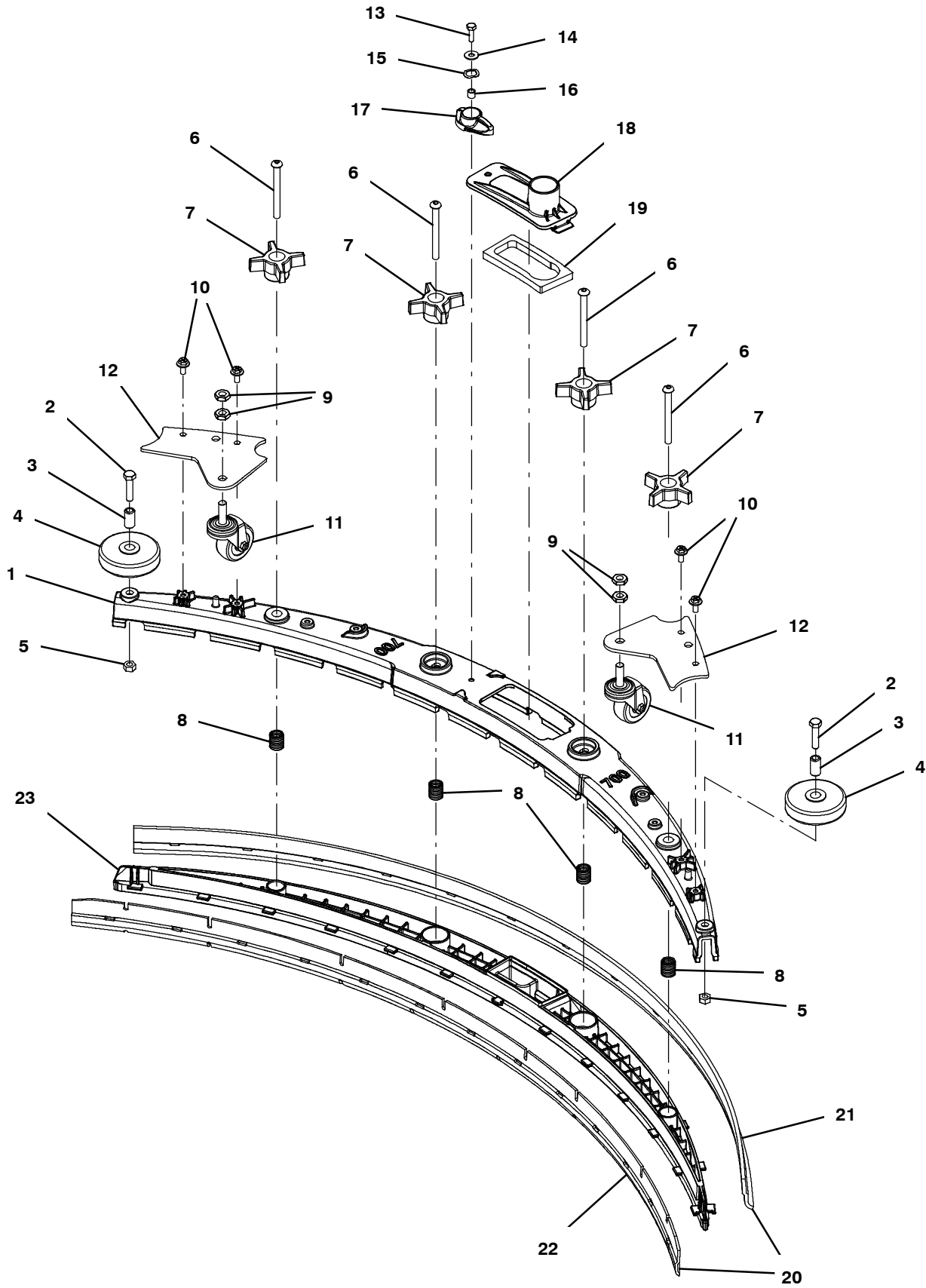
| Ref. | Part No. | Serial Number | Description | Qty. |
|------|------------|-----------------------|---|------|
| ▽ | 9015301 | (10000000- 11005985) | Squeegee Kit, 650mm, Ci (Replaced By 9021741) | 1 |
| ▲ | 1 1243537 | (10979889- 11005985) | Frame, Sqge, 65cm, Mach [T500/T600] | 1 |
| ▲ | 1 1221259 | (10000000- 10979888) | Frame, Sqge, 65cm, Mach [T500] (Replaced By 1243537) | 1 |
| ▲ | 2 59658 | (10000000- 20000000) | Screw, Hex, M8 X 1.25 X 35, NI, Ss | 2 |
| ▲ | 3 222496 | (10000000- 20000000) | Sleeve, P/M, 0.32b 0.50d 0.9l [430ss] | 2 |
| ▲ | 4 222066 | (10000000- 20000000) | Wheel, 03.0d 0.88w 0.50b | 2 |
| ▲ | 5 07786 | (10000000- 20000000) | Nut, Hex, Std, M8 X 1.25, Ss | 2 |
| ▲ | 6 1255358 | (10000000- 20000000) | Screw, Btn, M8 X 1.25 X 80, Ss | 4 |
| ▲ | 7 1074204 | (10000000- 20000000) | Knob,Star,2.75d 4ear 1.1l M8x1.25,Thru,Y | 4 |
| ▲ | 8 22290 | (10000000- 20000000) | Spring, Cmpr, 0.72od .06wir 02.3l | 4 |
| ▲ | 9 32716 | (10000000- 11005985) | Nut, Hex, Jam, M10 X 1.5, Ss | 2 |
| ▲ | 10 1034731 | (10000000- 11005985) | Screw, Hex, M6 X 1.00 X 16, Sems, Ss | 8 |
| ▲ | 11 1222236 | (10000000- 11005985) | Bracket Wldt, Caster, Rh Sqge[T500] | 1 |
| ▲ | 12 1006343 | (10000000- 20000000) | Caster, Swivel, 50mmd, M10 X 30, Clr PI | 2 |
| ▲ | 13 1222001 | (10000000- 11005985) | Bracket Wldt, Caster, Lh Sqge [T500] | 1 |
| ▲ | 14 12277 | (10000000- 20000000) | Screw, Hex, M6 X 1.00 X 20, NI, Ss | 1 |
| ▲ | 15 01684 | (10000000- 20000000) | Washer, Flat, 0.27b 0.69d .05, Ss | 1 |
| ▲ | 16 140060 | (10000000- 20000000) | Washer, Wave- Spring, .505 .750 .045 | 1 |
| ▲ | 17 140154 | (10000000- 20000000) | Sleeve, P/M, 0.25b 0.38d 0.3l, PI | 1 |
| ▲ | 18 1222109 | (10000000- 20000000) | Knob, Sqge, 58l, M6 X 1.00, Plstc | 1 |
| ▲ | 19 1209631 | (10000000- 20000000) | Cover, Trap, Water, Sqge | 1 |
| ▲ | 20 1210756 | (10000000- 20000000) | Gasket, Trap, Water, Sqge | 1 |
| ▲▽ | 21 9015734 | (10000000- 20000000) | Blade Kit, 650mm, Linatex/Linard (Standard) | 1 |
| ▲▲ | 22 1221585 | (10000000- 20000000) | Blade, Sqge, Rear, 1166l, Linatex[650mm] (Standard) | 1 |
| ▲▲ | 23 1232680 | (10000000- 20000000) | Blade, Sqge, Front, 1072l Linard[650mm] (Standard) | 1 |
| ▲ | 24 1221260 | (10000000- 20000000) | Retainer, Sqge, 65cm [T500] | 1 |
| ▲ | 25 1230738 | (10000000- 11005985) | Bracket, Sqge Bumper | 2 |
| ▽ | 21 9015735 | (10000000- 20000000) | Blade Kit, 650mm, Urethane (Option) | 1 |
| ▲ | 22 1228909 | (10000000- 20000000) | Blade, Sqge, Rear, 1136l,Urethane[650mm] (Option) | 1 |
| ▲ | 23 1228915 | (10000000- 20000000) | Blade, Sqge, Front,1072l,Urethane[650mm] (Option) | 1 |
| ▽ | 21 9015733 | (10000000- 20000000) | Blade Kit, 650mm, Gum (Option) | 1 |
| ▲ | 22 1228910 | (10000000- 20000000) | Blade, Sqge, Rear, 1136l, Gum[650mm] (Option) | 1 |
| ▲ | 23 1228919 | (10000000- 20000000) | Blade, Sqge, Front, 1072l Gum[650mm] (Option) | 1 |

▽ ASSEMBLY

▲ INCLUDED IN ASSEMBLY

SQUEEGEE ASSEMBLY, 700MM / 28IN
(New Style 9021742)

355839



**SQUEEGEE ASSEMBLY, 700MM / 28IN
(New Style 9021742)**

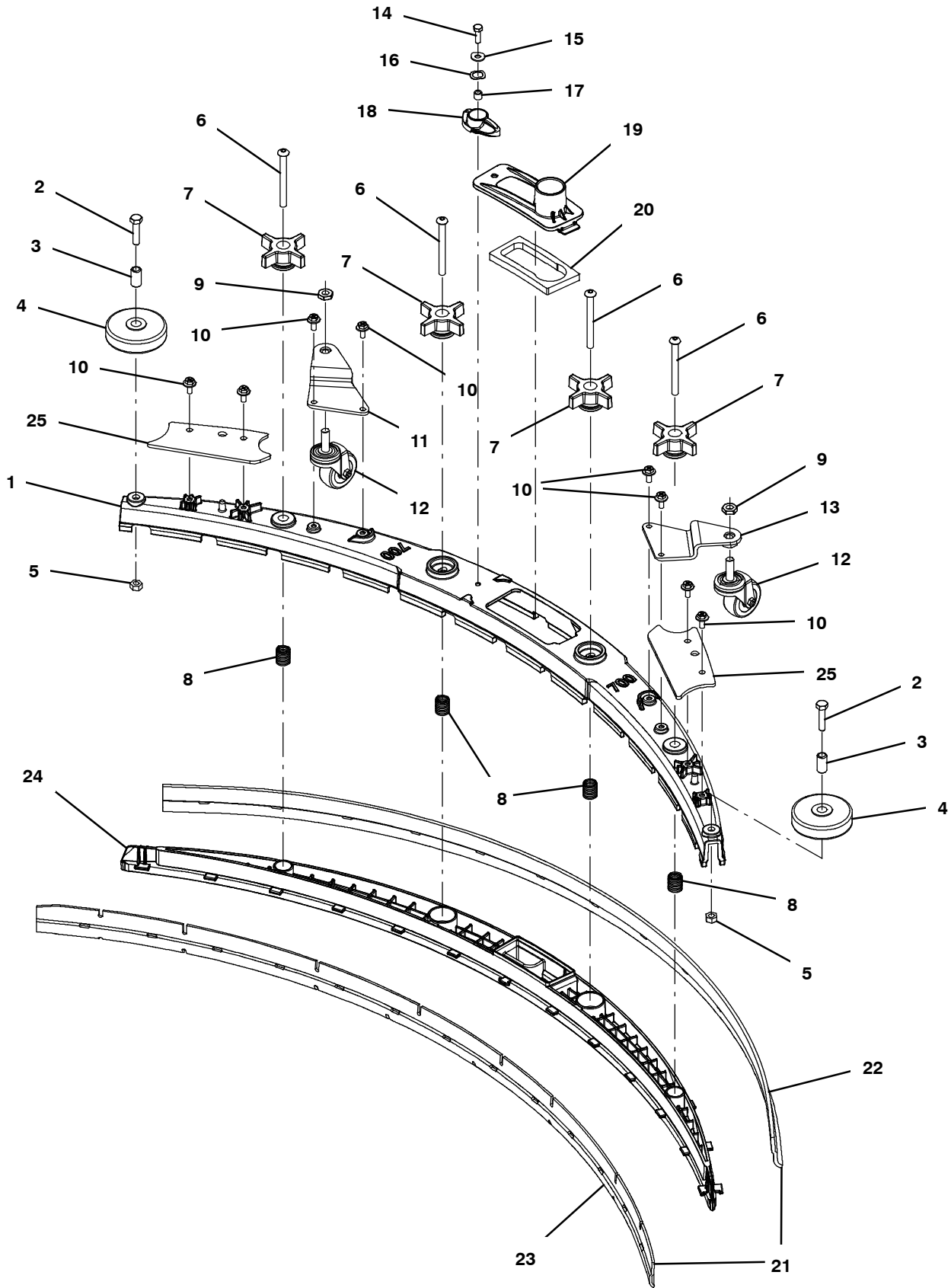
| Ref. | Part No. | Serial Number | Description | Qty. |
|------|------------|-----------------------|---|------|
| ▽ | 9021742 | (11005986- 20000000) | Squeegee Kit, 700mm | 1 |
| ▲ | 1 1241632 | (11005986- 20000000) | Frame, Sqge, 70cm, Mach [T500/T600] | 1 |
| ▲ | 2 59658 | (10000000- 20000000) | Screw, Hex, M8 X 1.25 X 35, NI, Ss | 2 |
| ▲ | 3 222496 | (10000000- 20000000) | Sleeve, P/M, 0.32b 0.50d 0.9l [430ss] | 2 |
| ▲ | 4 222066 | (10000000- 20000000) | Wheel, 03.0d 0.88w 0.50b | 2 |
| ▲ | 5 07786 | (10000000- 20000000) | Nut, Hex, Std, M8 X 1.25, Ss | 2 |
| ▲ | 6 1255358 | (10000000- 20000000) | Screw, Btn, M8 X 1.25 X 85, Ss | 4 |
| ▲ | 7 1074204 | (10000000- 20000000) | Knob,Star,2.75d 4ear 1.1l M8x1.25,Thru,Y | 4 |
| ▲ | 8 22290 | (10000000- 20000000) | Spring, Cmpr, 0.72od .06wir 02.3l | 4 |
| ▲ | 9 32716 | (11005986- 20000000) | Nut, Hex, Jam, M10 X 1.5, Ss | 4 |
| ▲ | 10 1034731 | (11005986- 20000000) | Screw, Hex, M6 X 1.00 X 16, Sems, Ss | 4 |
| ▲ | 11 1006343 | (10000000- 20000000) | Caster, Swivel, 50mmd, M10 X 30, Clr PI | 2 |
| ▲ | 12 1243364 | (11005986- 20000000) | Plate, Caster, Sqge | 2 |
| ▲ | 13 12277 | (10000000- 20000000) | Screw, Hex, M6 X 1.00 X 20, NI, Ss | 1 |
| ▲ | 14 01684 | (10000000- 20000000) | Washer, Flat, 0.27b 0.69d .05, Ss | 1 |
| ▲ | 15 140060 | (10000000- 20000000) | Washer, Wave- Spring, .505 .750 .045 | 1 |
| ▲ | 16 140154 | (10000000- 20000000) | Sleeve, P/M, 0.25b 0.38d 0.3l, PI | 1 |
| ▲ | 17 1222109 | (10000000- 20000000) | Knob, Sqge, 58l, M6 X 1.00, Plstc | 1 |
| ▲ | 18 1209631 | (10000000- 20000000) | Cover, Trap, Water, Sqge | 1 |
| ▲ | 19 1210756 | (10000000- 20000000) | Gasket, Trap, Water, Sqge | 1 |
| ▲▽ | 20 9015737 | (10000000- 20000000) | Blade Kit, 700mm, Linatex/Linard (Standard) | 1 |
| ▲▲ | 21 1221572 | (10000000- 20000000) | Blade, Sqge, Rear, 1204l, Linatex[700mm] (Standard) | 1 |
| ▲▲ | 22 1232679 | (10000000- 20000000) | Blade, Sqge, Front, 1148l Linard[700mm] (Standard) | 1 |
| ▲ | 23 1220783 | (10000000- 20000000) | Retainer, Sqge, 70cm [T500] | 1 |
| ▽ | 20 9015738 | (10000000- 20000000) | Blade Kit, 700mm, Urethane (Option) | 1 |
| ▲ | 21 1228904 | (10000000- 20000000) | Blade, Sqge, Rear, 1204l,Urethane[700mm] (Option) | 1 |
| ▲ | 22 1228906 | (10000000- 20000000) | Blade, Sqge, Front,1148l Urethane[700mm] (Option) | 1 |
| ▽ | 20 9015736 | (10000000- 20000000) | Blade Kit, 700mm, Gum (Option) | 1 |
| ▲ | 21 1228905 | (10000000- 20000000) | Blade, Sqge, Rear, 1204l, Gum[700mm] (Option) | 1 |
| ▲ | 22 1228907 | (10000000- 20000000) | Blade, Sqge, Front, 1148l Gum[700mm] (Option) | 1 |

▽ ASSEMBLY

▲ INCLUDED IN ASSEMBLY

SQUEEGEE ASSEMBLY, 700MM / 28IN
(Original Style 9015302 - Replaced By 9021742)

355439



SQUEEGEE ASSEMBLY, 700MM / 28IN
(Original Style 9015302 - Replaced By 9021742)

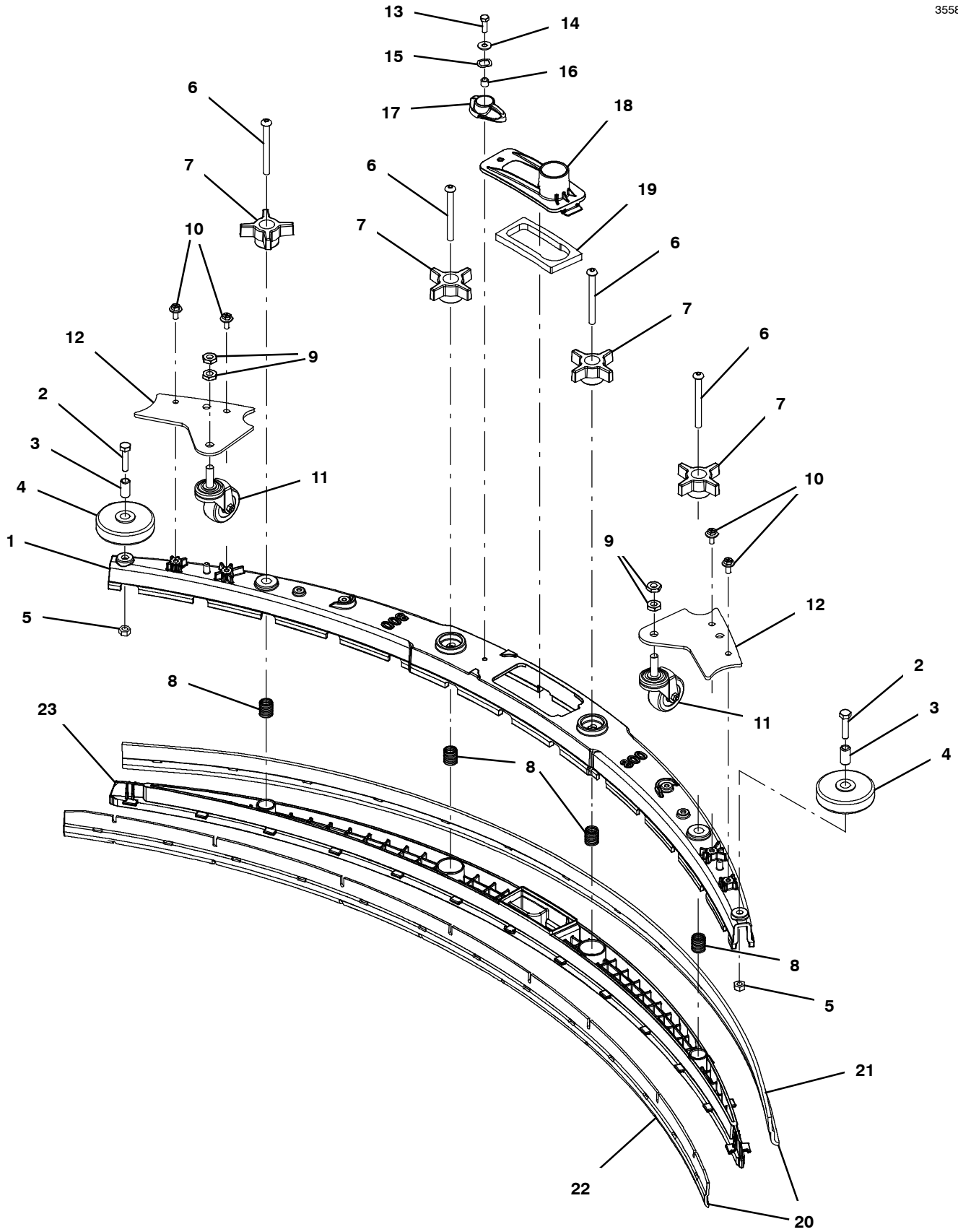
| Ref. | Part No. | Serial Number | Description | Qty. |
|------|------------|-----------------------|---|------|
| ▽ | 9015302 | (10000000- 11005985) | Squeegee Kit, 700mm, Ci (Replaced By 9021742) | 1 |
| ▲ | 1 1241632 | (10983981- 11005985) | Frame, Sqge, 70cm, Mach [T500/T600] | 1 |
| ▲ | 1 1220309 | (10000000- 10983980) | Frame, Sqge, 70cm, Mach [T500] (Replaced By 1241632) | 1 |
| ▲ | 2 59658 | (10000000- 20000000) | Screw, Hex, M8 X 1.25 X 35, NI, Ss | 2 |
| ▲ | 3 222496 | (10000000- 20000000) | Sleeve, P/M, 0.32b 0.50d 0.9l [430ss] | 2 |
| ▲ | 4 222066 | (10000000- 20000000) | Wheel, 03.0d 0.88w 0.50b | 2 |
| ▲ | 5 07786 | (10000000- 20000000) | Nut, Hex, Std, M8 X 1.25, Ss | 2 |
| ▲ | 6 1255358 | (10000000- 20000000) | Screw, Btn, M8 X 1.25 X 80, Ss | 4 |
| ▲ | 7 1074204 | (10000000- 20000000) | Knob,Star,2.75d 4ear 1.1l M8x1.25,Thru,Y | 4 |
| ▲ | 8 22290 | (10000000- 20000000) | Spring, Cmpr, 0.72od .06wir 02.3l | 4 |
| ▲ | 9 32716 | (10000000- 11005985) | Nut, Hex, Jam, M10 X 1.5, Ss | 2 |
| ▲ | 10 1034731 | (10000000- 11005985) | Screw, Hex, M6 X 1.00 X 16, Sems, Ss | 8 |
| ▲ | 11 1222236 | (10000000- 11005985) | Bracket Wldt, Caster, Rh Sqge[T500] | 1 |
| ▲ | 12 1006343 | (10000000- 20000000) | Caster, Swivel, 50mmd, M10 X 30, Clr PI | 2 |
| ▲ | 13 1222001 | (10000000- 11005985) | Bracket Wldt, Caster, Lh Sqge [T500] | 1 |
| ▲ | 14 12277 | (10000000- 20000000) | Screw, Hex, M6 X 1.00 X 20, NI, Ss | 1 |
| ▲ | 15 01684 | (10000000- 20000000) | Washer, Flat, 0.27b 0.69d .05, Ss | 1 |
| ▲ | 16 140060 | (10000000- 20000000) | Washer, Wave- Spring, .505 .750 .045 | 1 |
| ▲ | 17 140154 | (10000000- 20000000) | Sleeve, P/M, 0.25b 0.38d 0.3l, PI | 1 |
| ▲ | 18 1222109 | (10000000- 20000000) | Knob, Sqge, 58l, M6 X 1.00, Plstc | 1 |
| ▲ | 19 1209631 | (10000000- 20000000) | Cover, Trap, Water, Sqge | 1 |
| ▲ | 20 1210756 | (10000000- 20000000) | Gasket, Trap, Water, Sqge | 1 |
| ▲▽ | 21 9015737 | (10000000- 20000000) | Blade Kit, 700mm, Linatex/Linard (Standard) | 1 |
| ▲▲ | 22 1221572 | (10000000- 20000000) | Blade, Sqge, Rear, 1204l, Linatex[700mm] (Standard) | 1 |
| ▲▲ | 23 1232679 | (10000000- 20000000) | Blade, Sqge, Front, 1148l Linard[700mm] (Standard) | 1 |
| ▲ | 24 1220783 | (10000000- 20000000) | Retainer, Sqge, 70cm [T500] | 1 |
| ▲ | 25 1230738 | (10000000- 11005985) | Bracket, Sqge Bumper | 2 |
| ▽ | 21 9015738 | (10000000- 20000000) | Blade Kit, 700mm, Urethane (Option) | 1 |
| ▲ | 22 1228904 | (10000000- 20000000) | Blade, Sqge, Rear, 1204l,Urethane[700mm] (Option) | 1 |
| ▲ | 23 1228906 | (10000000- 20000000) | Blade, Sqge, Front,1148l Urethane[700mm] (Option) | 1 |
| ▽ | 21 9015736 | (10000000- 20000000) | Blade Kit, 700mm, Gum (Option) | 1 |
| ▲ | 22 1228905 | (10000000- 20000000) | Blade, Sqge, Rear, 1204l, Gum[700mm] (Option) | 1 |
| ▲ | 23 1228907 | (10000000- 20000000) | Blade, Sqge, Front, 1148l Gum[700mm] (Option) | 1 |

▽ ASSEMBLY

▲ INCLUDED IN ASSEMBLY

SQUEEGEE ASSEMBLY, 800MM / 32IN
(New Style 9021743)

355840



**SQUEEGEE ASSEMBLY, 800MM / 32IN
(New Style 9021743)**

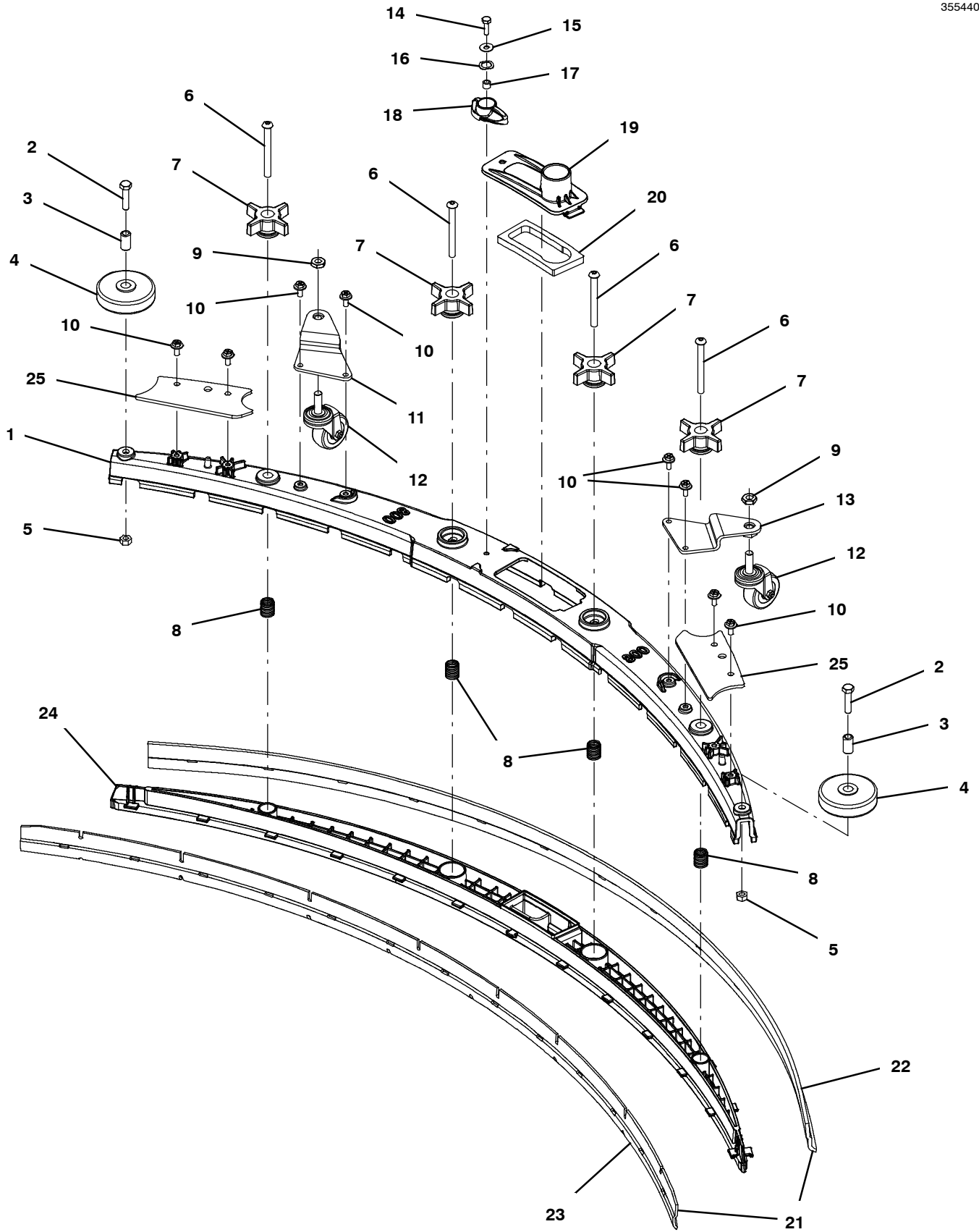
| Ref. | Part No. | Serial Number | Description | Qty. |
|------|------------|-----------------------|---|------|
| ▽ | 9021743 | (11005986- 20000000) | Squeegee Kit, 800mm | 1 |
| ▲ | 1 1243538 | (11005986- 20000000) | Frame, Sqge, 80cm, Mach [T500/T600] | 1 |
| ▲ | 2 59658 | (10000000- 20000000) | Screw, Hex, M8 X 1.25 X 35, NI, Ss | 2 |
| ▲ | 3 222496 | (10000000- 20000000) | Sleeve, P/M, 0.32b 0.50d 0.9l [430ss] | 2 |
| ▲ | 4 222066 | (10000000- 20000000) | Wheel, 03.0d 0.88w 0.50b | 2 |
| ▲ | 5 07786 | (10000000- 20000000) | Nut, Hex, Std, M8 X 1.25, Ss | 2 |
| ▲ | 6 1255358 | (10000000- 20000000) | Screw, Btn, M8 X 1.25 X 85, Ss | 4 |
| ▲ | 7 1074204 | (10000000- 20000000) | Knob,Star,2.75d 4ear 1.1l M8x1.25,Thru,Y | 4 |
| ▲ | 8 22290 | (10000000- 20000000) | Spring, Cmpr, 0.72od .06wir 02.3l | 4 |
| ▲ | 9 32716 | (11005986- 20000000) | Nut, Hex, Jam, M10 X 1.5, Ss | 4 |
| ▲ | 10 1034731 | (11005986- 20000000) | Screw, Hex, M6 X 1.00 X 16, Sems, Ss | 4 |
| ▲ | 11 1006343 | (10000000- 20000000) | Caster, Swivel, 50mmd, M10 X 30, Clr PI | 2 |
| ▲ | 12 1243364 | (11005986- 20000000) | Plate, Caster, Sqge | 2 |
| ▲ | 13 12277 | (10000000- 20000000) | Screw, Hex, M6 X 1.00 X 20, NI, Ss | 1 |
| ▲ | 14 01684 | (10000000- 20000000) | Washer, Flat, 0.27b 0.69d .05, Ss | 1 |
| ▲ | 15 140060 | (10000000- 20000000) | Washer, Wave- Spring, .505 .750 .045 | 1 |
| ▲ | 16 140154 | (10000000- 20000000) | Sleeve, P/M, 0.25b 0.38d 0.3l, PI | 1 |
| ▲ | 17 1222109 | (10000000- 20000000) | Knob, Sqge, 58l, M6 X 1.00, Plstc | 1 |
| ▲ | 18 1209631 | (10000000- 20000000) | Cover, Trap, Water, Sqge | 1 |
| ▲ | 19 1210756 | (10000000- 20000000) | Gasket, Trap, Water, Sqge | 1 |
| ▲▽ | 20 9015740 | (10000000- 20000000) | Blade Kit, 800mm, Linatex/Linard (Standard) | 1 |
| ▲▲ | 21 1221115 | (10000000- 20000000) | Blade, Sqge, Rear, 1306l, Linatex[800mm] (Standard) | 1 |
| ▲▲ | 22 1232681 | (10000000- 20000000) | Blade, Sqge, Front, 1256l Linard[800mm] (Standard) | 1 |
| ▲ | 23 1219405 | (10000000- 20000000) | Retainer, Sqge, 80cm [T500] | 1 |
| ▽ | 20 9015741 | (10000000- 20000000) | Blade Kit, 800mm, Urethane (Option) | 1 |
| ▲ | 21 1228920 | (10000000- 20000000) | Blade, Sqge, Rear, 1306l,Urethane[800mm] (Option) | 1 |
| ▲ | 22 1228922 | (10000000- 20000000) | Blade, Sqge, Front,1256l Urethane[800mm] (Option) | 1 |
| ▽ | 20 9015739 | (10000000- 20000000) | Blade Kit, 800mm, Gum (Option) | 1 |
| ▲ | 21 1228921 | (10000000- 20000000) | Blade, Sqge, Rear, 1306l, Gum[800mm] (Option) | 1 |
| ▲ | 22 1228923 | (10000000- 20000000) | Blade, Sqge, Front, 1256l Gum[800mm] (Option) | 1 |

▽ ASSEMBLY

▲ INCLUDED IN ASSEMBLY

SQUEEGEE ASSEMBLY, 800MM / 32IN
(Original Style 9015303 - Replaced By 9021743)

355440



SQUEEGEE ASSEMBLY, 800MM / 32IN
(Original Style 9015303 - Replaced By 9021743)

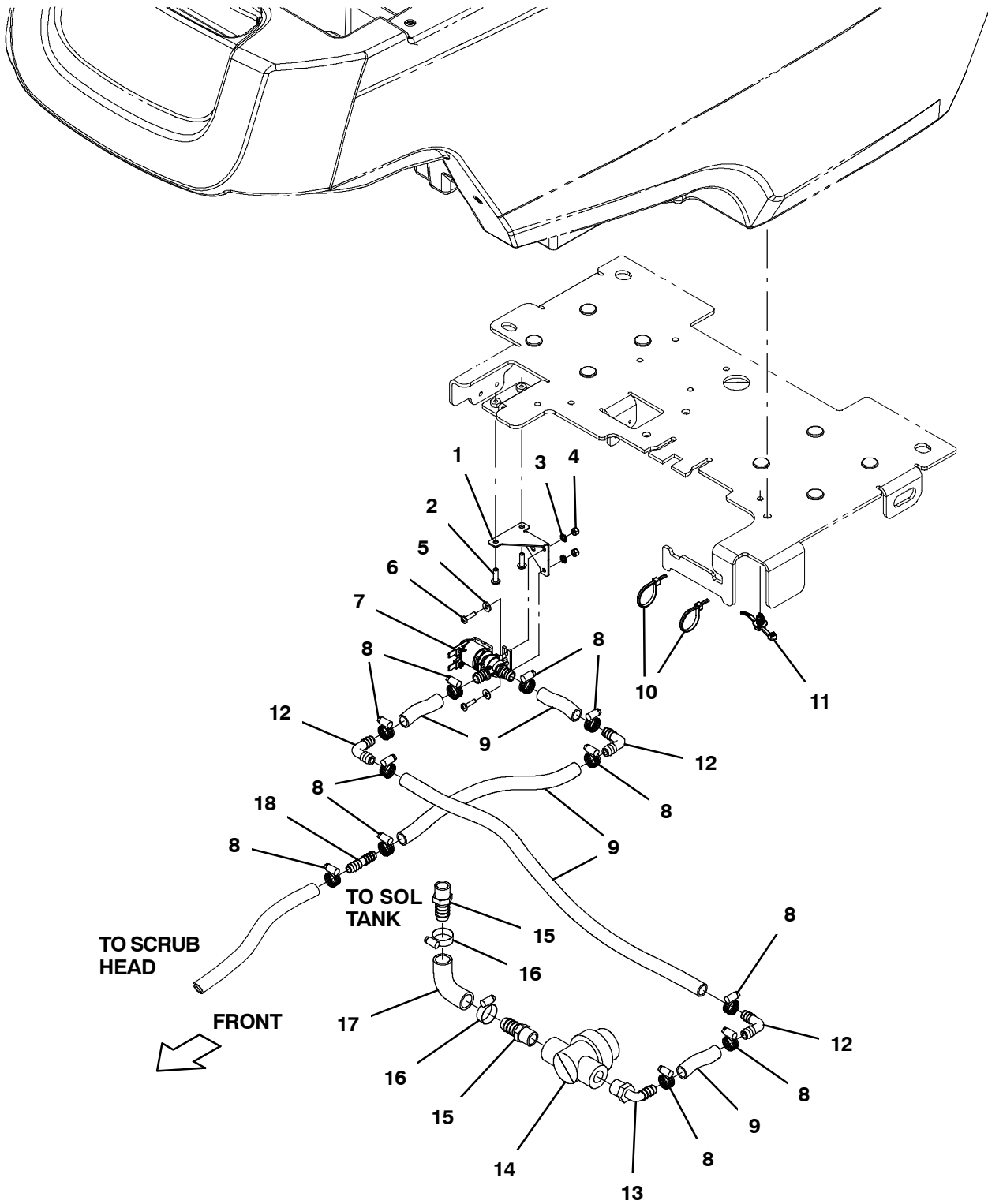
| Ref. | Part No. | Serial Number | Description | Qty. |
|------|------------|-----------------------|---|------|
| ▽ | 9015303 | (10000000- 11005985) | Squeegee Kit, 800mm, Ci (Replaced By 9021743) | 1 |
| ▲ | 1 1243538 | (10996996- 11005985) | Frame, Sqge, 80cm, Mach [T500/T600] | 1 |
| ▲ | 1 1219894 | (10000000- 10996995) | Frame, Sqge, 80cm, Mach [T500] (Replaced By 1243538) | 1 |
| ▲ | 2 59658 | (10000000- 20000000) | Screw, Hex, M8 X 1.25 X 35, NI, Ss | 2 |
| ▲ | 3 222496 | (10000000- 20000000) | Sleeve, P/M, 0.32b 0.50d 0.9l [430ss] | 2 |
| ▲ | 4 222066 | (10000000- 20000000) | Wheel, 03.0d 0.88w 0.50b | 2 |
| ▲ | 5 07786 | (10000000- 20000000) | Nut, Hex, Std, M8 X 1.25, Ss | 2 |
| ▲ | 6 1255358 | (10000000- 20000000) | Screw, Btn, M8 X 1.25 X 80, Ss | 4 |
| ▲ | 7 1074204 | (10000000- 20000000) | Knob,Star,2.75d 4ear 1.1l M8x1.25,Thru,Y | 4 |
| ▲ | 8 22290 | (10000000- 20000000) | Spring, Cmpr, 0.72od .06wir 02.3l | 4 |
| ▲ | 9 32716 | (10000000- 11005985) | Nut, Hex, Jam, M10 X 1.5, Ss | 2 |
| ▲ | 10 1034731 | (10000000- 11005985) | Screw, Hex, M6 X 1.00 X 16, Sems, Ss | 8 |
| ▲ | 11 1222236 | (10000000- 11005985) | Bracket Wldt, Caster, Rh Sqge[T500] | 1 |
| ▲ | 12 1006343 | (10000000- 20000000) | Caster, Swivel, 50mmd, M10 X 30, Clr PI | 2 |
| ▲ | 13 1222001 | (10000000- 11005985) | Bracket Wldt, Caster, Lh Sqge [T500] | 1 |
| ▲ | 14 12277 | (10000000- 20000000) | Screw, Hex, M6 X 1.00 X 20, NI, Ss | 1 |
| ▲ | 15 01684 | (10000000- 20000000) | Washer, Flat, 0.27b 0.69d .05, Ss | 1 |
| ▲ | 16 140060 | (10000000- 20000000) | Washer, Wave- Spring, .505 .750 .045 | 1 |
| ▲ | 17 140154 | (10000000- 20000000) | Sleeve, P/M, 0.25b 0.38d 0.3l, PI | 1 |
| ▲ | 18 1222109 | (10000000- 20000000) | Knob, Sqge, 58l, M6 X 1.00, Plstc | 1 |
| ▲ | 19 1209631 | (10000000- 20000000) | Cover, Trap, Water, Sqge | 1 |
| ▲ | 20 1210756 | (10000000- 20000000) | Gasket, Trap, Water, Sqge | 1 |
| ▲▽ | 21 9015740 | (10000000- 20000000) | Blade Kit, 800mm, Linatex/Linard (Standard) | 1 |
| ▲▲ | 22 1221115 | (10000000- 20000000) | Blade, Sqge, Rear, 1306l, Linatex[800mm] (Standard) | 1 |
| ▲▲ | 23 1232681 | (10000000- 20000000) | Blade, Sqge, Front, 1256l Linard[800mm] (Standard) | 1 |
| ▲ | 24 1219405 | (10000000- 20000000) | Retainer, Sqge, 80cm [T500] | 1 |
| ▲ | 25 1230738 | (10000000- 11005985) | Bracket, Sqge Bumper | 2 |
| ▽ | 21 9015741 | (10000000- 20000000) | Blade Kit, 800mm, Urethane (Option) | 1 |
| ▲ | 22 1228920 | (10000000- 20000000) | Blade, Sqge, Rear, 1306l,Urethane[800mm] (Option) | 1 |
| ▲ | 23 1228922 | (10000000- 20000000) | Blade, Sqge, Front,1256l Urethane[800mm] (Option) | 1 |
| ▽ | 21 9015739 | (10000000- 20000000) | Blade Kit, 800mm, Gum (Option) | 1 |
| ▲ | 22 1228921 | (10000000- 20000000) | Blade, Sqge, Rear, 1306l, Gum[800mm] (Option) | 1 |
| ▲ | 23 1228923 | (10000000- 20000000) | Blade, Sqge, Front, 1256l Gum[800mm] (Option) | 1 |

▽ ASSEMBLY

▲ INCLUDED IN ASSEMBLY

STANDARD SOLUTION GROUP (BARB CONNECTOR STYLE)
(S/N 11089942 -)

358017



STANDARD SOLUTION GROUP (BARB CONNECTOR STYLE)
(S/N 11089942 -)

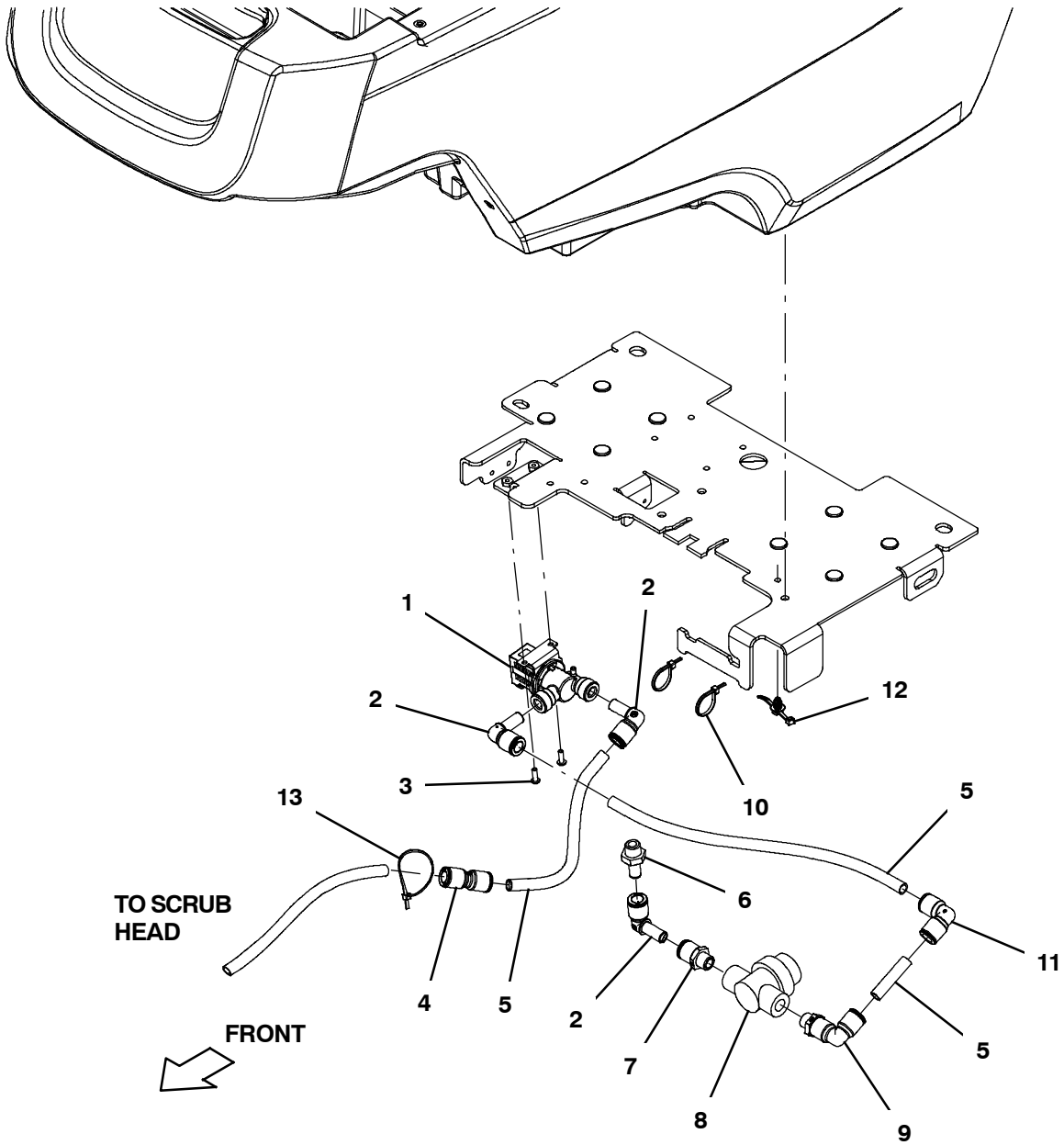
| Ref. | Part No. | Serial Number | Description | Qty. | |
|------|----------|-----------------------|---|---|---|
| 1 | 1247965 | (11089942- 20000000) | Bracket, Valve | 1 | |
| 2 | 1205799 | (10000000- 20000000) | Screw, Btn, M5 X 0.8 X 16, 8.8, NI, Torx | 2 | |
| 3 | 140061 | (11089942- 20000000) | Washer, Lock, Ext, 08, PI | 2 | |
| 4 | 33932 | (11089942- 20000000) | Nut, Hex, Lock, M4 X 0.70, NI, Ss | 2 | |
| 5 | 41579 | (11089942- 20000000) | Washer, Flat, 08, Ss | 2 | |
| 6 | 24265 | (11089942- 20000000) | Screw, Pan, Phl, M4 X 0.70 X 16, Ss | 1 | |
| 7 | 1248867 | (11089942- 20000000) | Valve, Water, Solenoid, 24vdc Bm06/Bm06 | 1 | |
| 8 | 43844 | (11089942- 20000000) | Clamp, Hose, Wormdrive, 0.25- 0.62d, .31w | 11 | |
| 9 | 1006416 | (11089942- 20000000) | Hose, Afrmkt, Pvc, Clr, 0.38id, 03ft | 1 | |
| 10 | 130773 | (10000000- 20000000) | Tie, Cable, Nyl, 11.0l, .14w, 3.0 Max. D | 2 | |
| 11 | 1210807 | (10865727- 20000000) | Wire, Tie [W/.25" Fir Tree Clip] | 1 | |
| 12 | 20951 | (11089942- 20000000) | Fitting, Plstc, E90, Bm06/Bm06 | 3 | |
| 13 | 1005630 | (11089942- 20000000) | Fitting, Plstc, E90, Bm06/Pm06, Nyl | 1 | |
| ▽ | 14 | 1211537 | (10000000- 20000000) | Filter, In- Line, Pf06/Pf06 080m 2.6l Epd | 1 |
| ▲ | | 1218885 | (10000000- 20000000) | Gasket [Epdm, F/1211537] | 1 |
| ▲ | | 1218883 | (10000000- 20000000) | Screen, Fltr, 80 Mesh, Ss [W/ Cage] | 1 |
| ▲ | | 613991 | (10000000- 20000000) | Bowl, Clr, Short, F/1005302 | 1 |
| 15 | 64743 | (11089942- 20000000) | Fitting, Plstc, Str, Bm08/Pm06 | 2 | |
| 16 | 54333 | (11089942- 20000000) | Clamp, Hose, Wormdrive, 0.31- 0.88d, .31w | 2 | |
| 17 | 1048278 | (11089942- 20000000) | Hose, Pvc, Clr, E90 0.63id 0.75od | 1 | |
| 18 | 20950 | (11089942- 20000000) | Fitting, Plstc, Str, Bm06/Bm06 | 1 | |

▽ ASSEMBLY

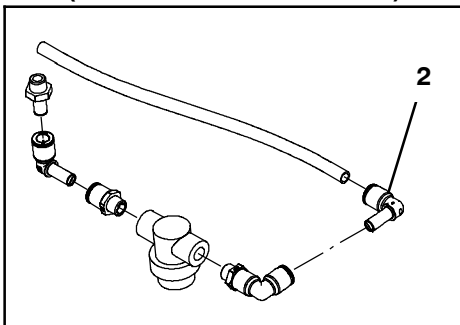
▲ INCLUDED IN ASSEMBLY

STANDARD SOLUTION GROUP (PUSH QUICK CONNECTOR STYLE)
(S/N 10000000 - 11089941)

355435



(S/N 10000000 - 10865726)



STANDARD SOLUTION GROUP (PUSH QUICK CONNECTOR STYLE)
(S/N 10000000 - 11089941)

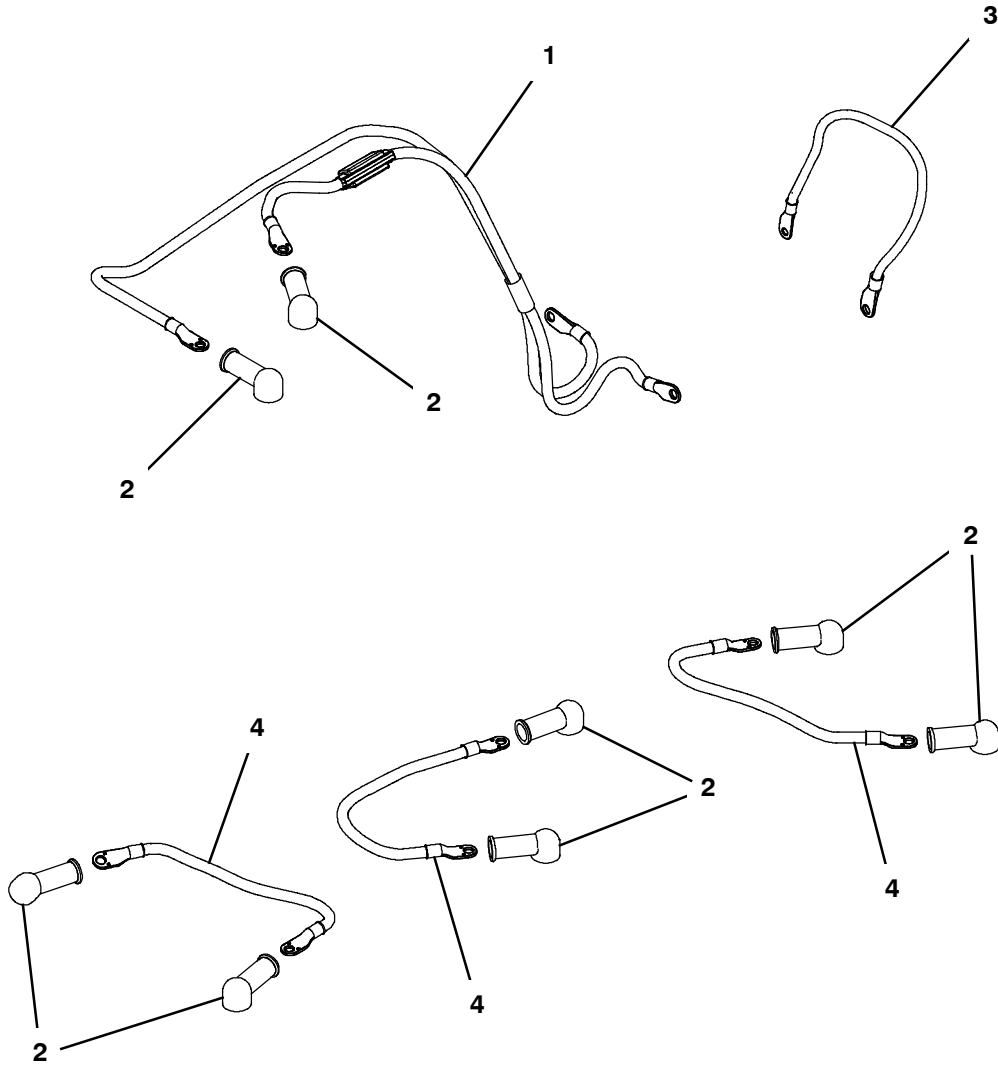
| Ref. | Part No. | Serial Number | Description | Qty. | |
|------|----------|-----------------------|--|---|---|
| 1 | 1211424 | (10000000- 11089941) | Valve, Water, Solenoid, 24vdc Qf08/Qf08 | 1 | |
| 2 | 1212809 | (10865727- 11089941) | Fitting, Plstc, E90, Qf08/Qm08 | 3 | |
| 2 | 1212809 | (10000000- 10865726) | Fitting, Plstc, E90, Qf08/Qm08 | 4 | |
| 3 | 1205799 | (10000000- 20000000) | Screw, Btn, M5 X 0.8 X 16, 8.8, NI, Torx | 2 | |
| 4 | 1212859 | (10000000- 11089941) | Fitting, Plstc, Str, Qf08/Qf08 | 1 | |
| 5 | 9014145 | (10000000- 11089941) | Hose, Afrmkt, Pe, .375id .50od, 05ft | 1 | |
| 6 | 1227552 | (10000000- 11089941) | Fitting, Plstc, Str, Qm08/Pm06 | 1 | |
| 7 | 1212813 | (10000000- 11089941) | Fitting, Plstc, Str, Qf08/Pm06 | 1 | |
| ▽ | 8 | 1211537 | (10000000- 20000000) | Filter, In- Line, Pf06/Pf06 080m 2.6l Epd | 1 |
| ▲ | | 1218885 | (10000000- 20000000) | Gasket [Epdm, F/1211537] | 1 |
| ▲ | | 1218883 | (10000000- 20000000) | Screen, Fltr, 80 Mesh, Ss [W/ Cage] | 1 |
| ▲ | | 613991 | (10000000- 20000000) | Bowl, Clr, Short, F/1005302 | 1 |
| 9 | 1212987 | (10000000- 11089941) | Fitting, Plstc, E90, Qf08/Pm06, Swivel | 1 | |
| 10 | 130773 | (10000000- 20000000) | Tie, Cable, Nyl, 11.0l, .14w, 3.0 Max. D | 2 | |
| 11 | 1221945 | (10865727- 11089941) | Fitting, Plstc, E90, Qf08/Qf08 | 1 | |
| 12 | 1210807 | (10865727- 20000000) | Wire, Tie [W/.25" Fir Tree Clip] | 1 | |
| 13 | 130773 | (10000000- 11089941) | Tie, Cable, Nyl, 11.0l, .14w, 3.0 Max. D | 1 | |

▽ ASSEMBLY

▲ INCLUDED IN ASSEMBLY

STANDARD BATTERY CABLES GROUP

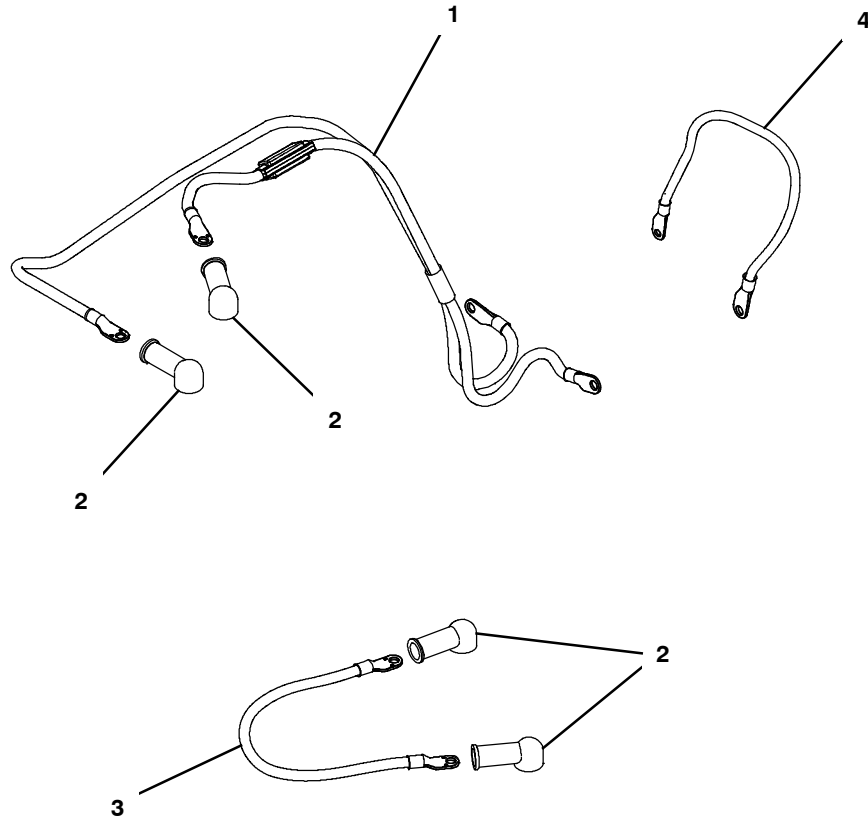
355456



| Ref. | Part No. | Serial Number | Description | Qty. |
|------|----------|-----------------------|---|------|
| 1 | 1074942 | (10000000- 20000000) | Cable, Assy [T500,T500e] | 1 |
| 2 | 611221 | (10000000- 20000000) | Boot, Terminal, Battery, 25.4mm, Blk | 8 |
| 3 | 1074945 | (10000000- 20000000) | Cable, 04ga 15.0l Red [M8 Ring/M6 Ring] | 1 |
| 4 | 1073680 | (10000000- 20000000) | Cable, 04ga 15.0l Blk [M8 Ring/M8 Ring] | 3 |

BATTERY CABLES GROUP, TPPL BATTERY

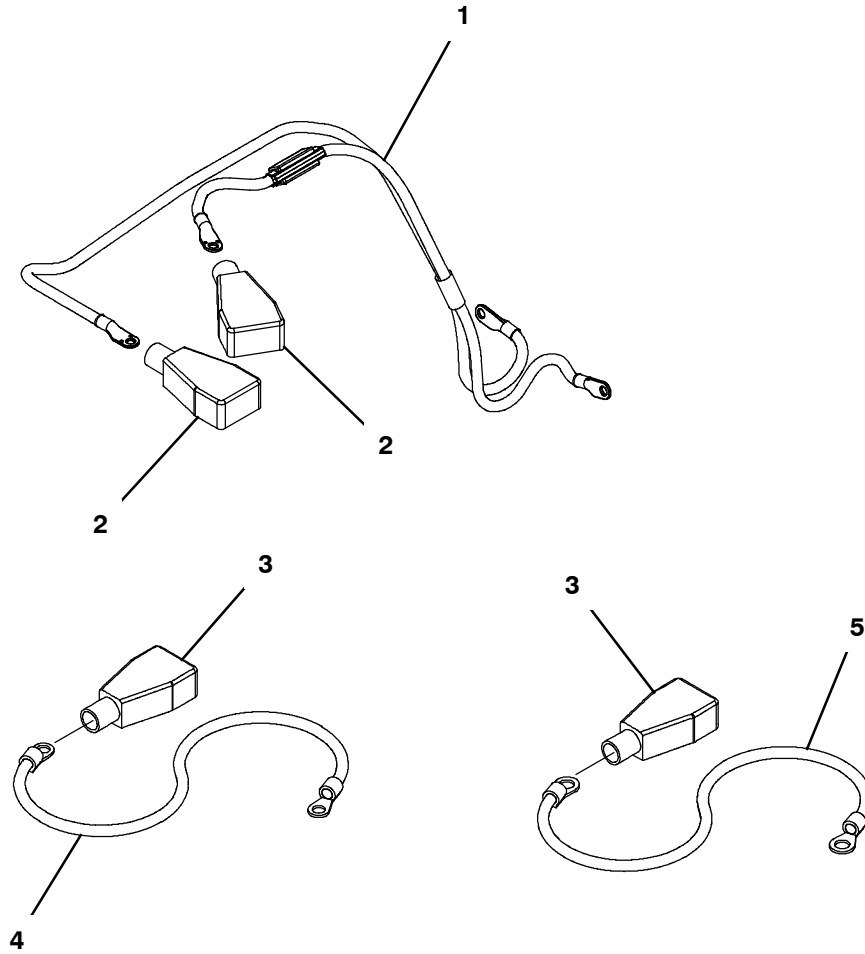
355805



| Ref. | Part No. | Serial Number | Description | Qty. |
|------|----------|----------------------|---|------|
| 1 | 1076930 | (10000000-20000000) | Cable, Assy .31ring/.25ring [T500, T500e] | 1 |
| 2 | 611221 | (10000000-20000000) | Boot, Terminal, Battery, 25.4mm, Blk | 4 |
| 3 | 1076929 | (10000000-20000000) | Cable, 04ga 15.0l Blk, .25ring/.25ring | 1 |
| 4 | 1074945 | (10000000-20000000) | Cable, 04ga 15.0l Red [M8 Ring/M6 Ring] | 1 |

BATTERY CABLES GROUP, LITHIUM-ION BATTERY

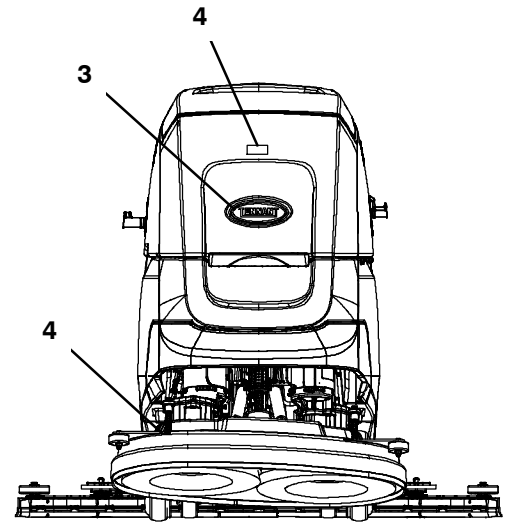
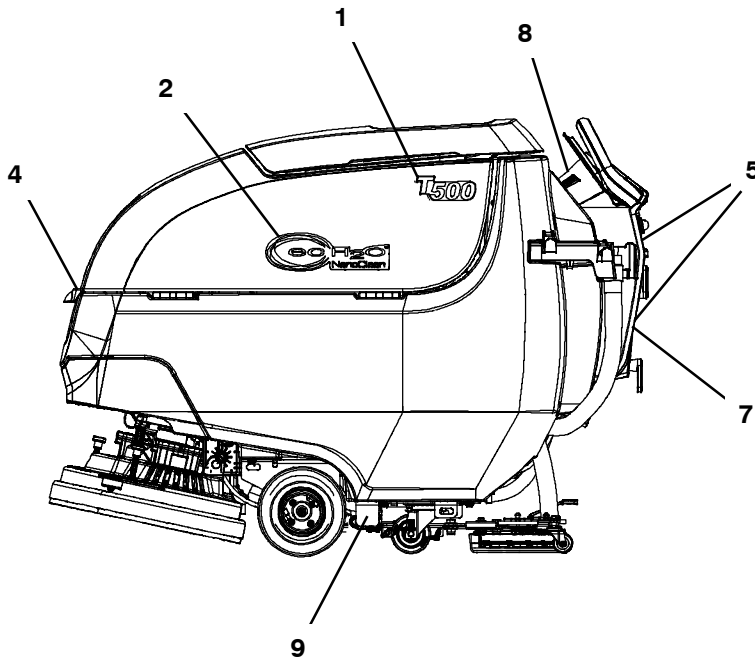
355965



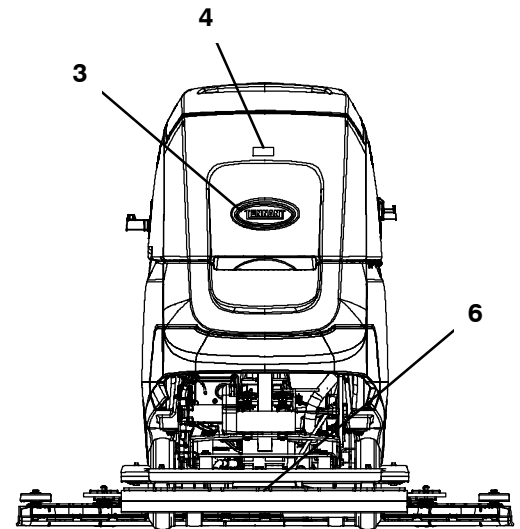
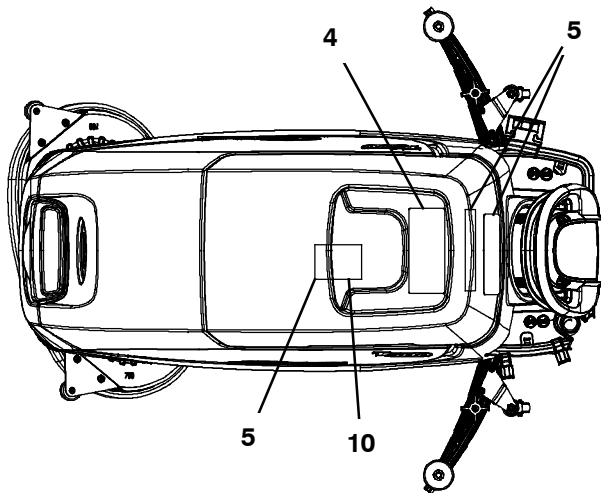
| Ref. | Part No. | Serial Number | Description | Qty. |
|------|----------|-----------------------|---|------|
| 1 | 1266969 | (10000000- 20000000) | Cable, Assy, [T500, T500e] | 1 |
| 2 | 68872 | (10000000- 20000000) | Boot, Terminal, Battery, 02- 01ga, Blk | 2 |
| 3 | 68872 | (10000000- 20000000) | Boot, Terminal, Battery, 02- 01ga, Blk (2 Battery System Only) | 2 |
| 4 | 1077083 | (10000000- 20000000) | Cable, 04ga 18.0l Red .41ring /.41ring (2 Battery System Only) | 1 |
| 5 | 223364 | (10000000- 20000000) | Cable, 04ga 18.0l Blk .34ring /.34ring (2 Battery System Only) | 1 |

LABEL GROUP

355966



DISK & CYLINDRICAL HEAD



ORBITAL HEAD

| Ref. | Part No. | Serial Number | Description | Qty. |
|------|----------|-----------------------|---|------|
| 1 | 1224983 | (10000000- 20000000) | Label, T500 | 2 |
| 2 | 1216520 | (10000000- 20000000) | Label, Logo [Ech2o Nano] | 2 |
| 3 | 1213114 | (10000000- 20000000) | Label, Logo, 05.5l, Blk/Sil [Tennant] | 1 |
| 4 | 1220962 | (10000000- 20000000) | Label Sheet, Info/Hzrd [T500, Na] | 1 |
| 5 | 1220965 | (10000000- 20000000) | Label Sheet, Operational [T500] | 1 |
| 6 | 1224995 | (10000000- 20000000) | Label, Orbital, Size, 70cm | 1 |
| 7 | 1225763 | (10000000- 20000000) | Label, Decal, Charger, Off- Board | 1 |
| 8 | 1229725 | (10000000- 20000000) | Label, Warning [Do Not Spray] | 1 |
| 9 | 1231798 | (10865727- 20000000) | Label, Info, Filter | 1 |
| 10 | 1266965 | (10000000- 20000000) | Label, Hzrd, Battery [T500/E/Ss500, Li] (Lithium- Ion Batteries) | 1 |

STANDARD PARTS

WIRE HARNESS GROUP

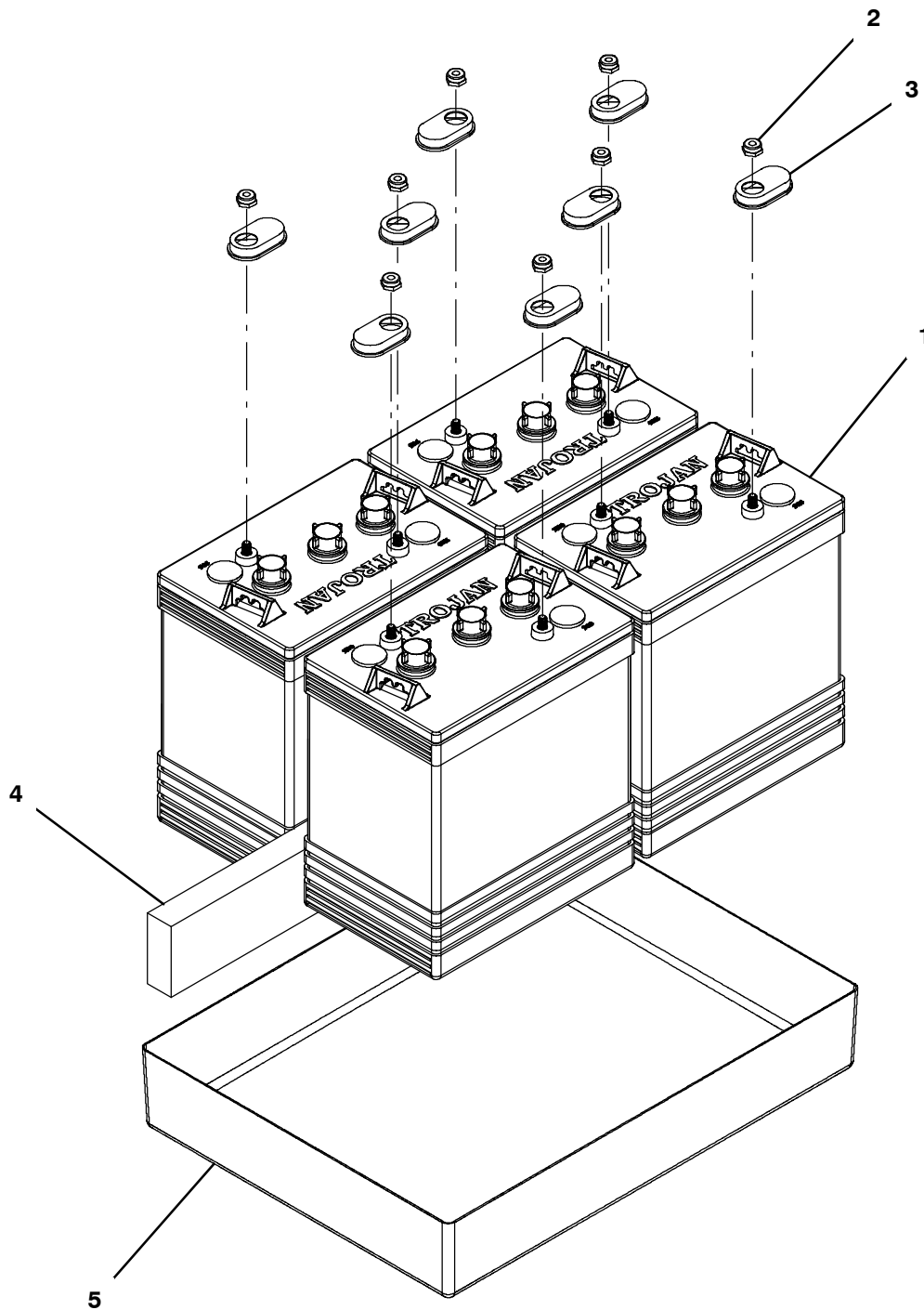
| | Part No. | Serial Number | Description | Qty. |
|---|----------|-----------------------|--|------|
| | 1076837 | (10995399- 20000000) | Harness, Main, Ele [T500] | 1 |
| ▽ | 1074829 | (10000000- 10995398) | Harness, Main, Ele [T500] | 1 |
| ▲ | 222290 | (10000000- 20000000) | Diode, Ele, Plug | 3 |
| | 1077060 | (11062242- 20000000) | Harness, Ele [Op. Station, T500] | 1 |
| | 1075035 | (10000000- 11062241) | Harness, Ele [Op. Station, T500] (Replaced By 1077060) | 1 |
| | 1072524 | (10000000- 20000000) | Harness, Ele [Bail Switch] | 1 |
| | 1075195 | (10000000- 11099112) | Harness, Ele, Adaptor [T300, Amii] (Telemetry Models) | 1 |
| | 222290 | (10000000- 20000000) | Diode, Ele, Plug | 1 |
| | 1076909 | (10995399- 20000000) | Harness, Ele, Adapter, Relay (TPPL Battery) | 1 |
| | 1266968 | (10000000- 20000000) | Harness, Ele, Ui To Bms [Batt To Mach] (Lithium- Ion Battery) | 1 |

▽ ASSEMBLY

▲ INCLUDED IN ASSEMBLY

BATTERY GROUP, WET 225AH

355452



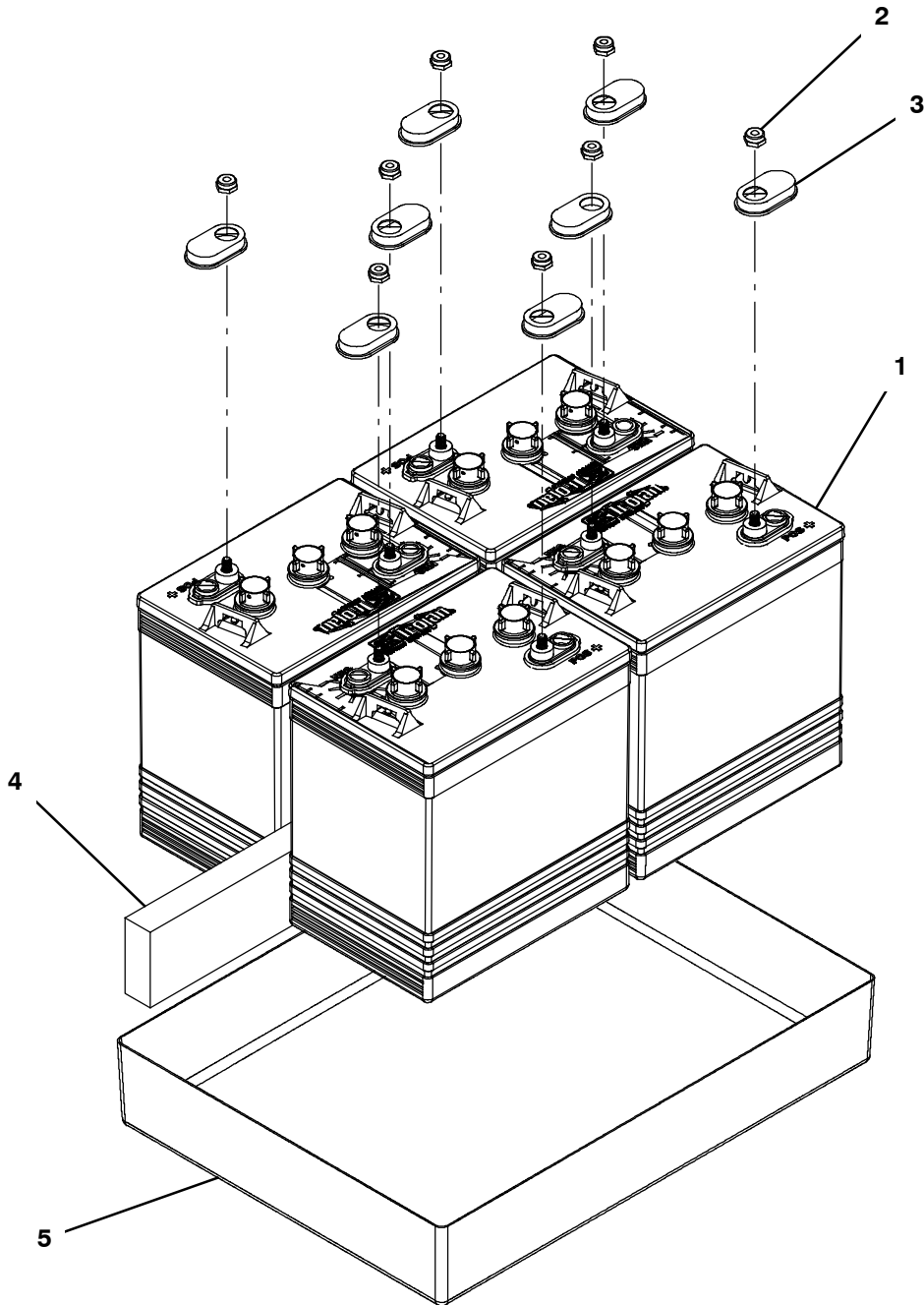
| | Ref. | Part No. | Serial Number | Description | Qty. |
|---|------|----------|-----------------------|--|------|
| ▽ | 1 | 10155 | (10000000- 20000000) | Battery, Wet, 06vdc | 4 |
| ▲ | 2 | 87435 | (10000000- 20000000) | Nut, Hex, Flexlock, .31- 18 | 2 |
| | 3 | 1041030 | (10000000- 20000000) | Cap, Battery, Black [For 155ah] | 8 |
| | 4 | 630375 | (10000000- 20000000) | Spacer, Battery, Foam, 1.25 X 3.3 X 13.7 | 1 |
| | 5 | 1222318 | (10000000- 20000000) | Tray, Battery, Trimmed [T500, Thick] | 1 |

▽ ASSEMBLY

▲ INCLUDED IN ASSEMBLY

BATTERY GROUP, WET 260AH

355448



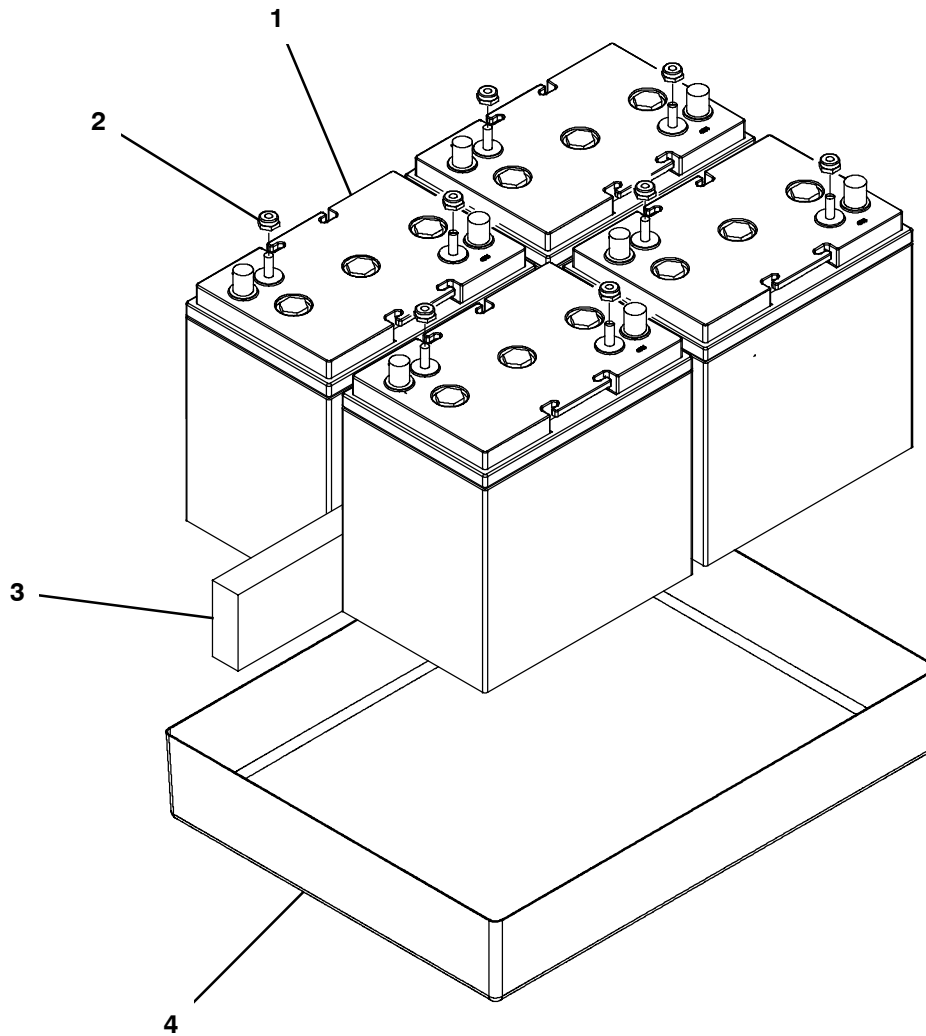
| | Ref. | Part No. | Serial Number | Description | Qty. |
|---|------|----------|-----------------------|--|------|
| ▽ | 1 | 390825 | (10000000- 20000000) | Battery, Wet, 06vdc 0244ah | 4 |
| ▲ | 2 | 87435 | (10000000- 20000000) | Nut, Hex, Flexlock, .31- 18 | 2 |
| ▲ | 3 | 1041030 | (10000000- 20000000) | Cap, Battery, Black [For 155ah] | 2 |
| | 4 | 630375 | (10000000- 20000000) | Spacer, Battery, Foam, 1.25 X 3.3 X 13.7 | 1 |
| | 5 | 1222318 | (10000000- 20000000) | Tray, Battery, Trimmed [T500, Thick] | 1 |

▽ ASSEMBLY

▲ INCLUDED IN ASSEMBLY

BATTERY GROUP, AGM 210AH

355450



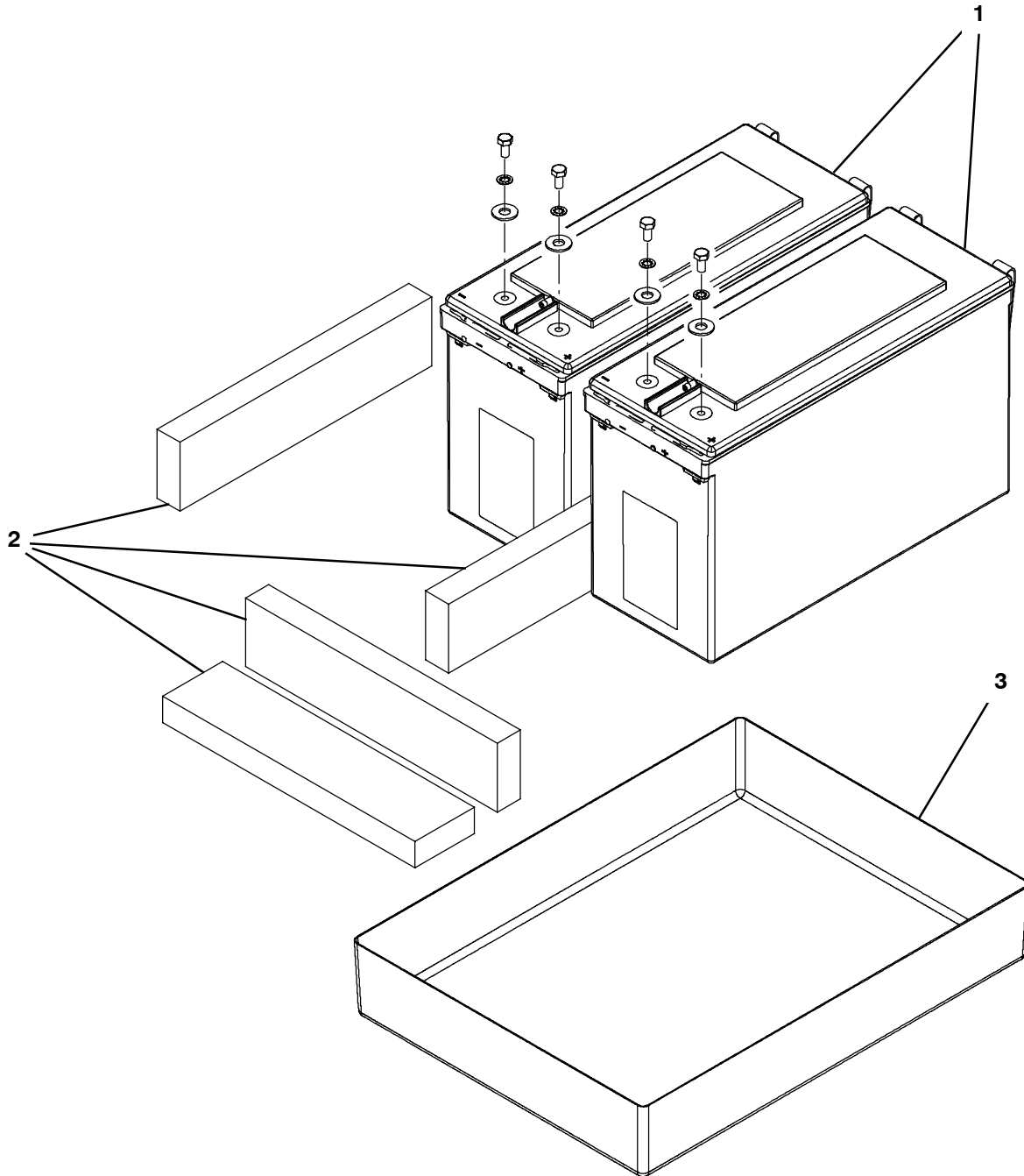
| | Ref. | Part No. | Serial Number | Description | Qty. |
|---|------|----------|-----------------------|--|------|
| ▽ | 1 | 1262245 | (10000000- 20000000) | Battery, Agm, 06vdc 0210ah | 4 |
| ▲ | 2 | 87435 | (10000000- 20000000) | Nut, Hex, Flexlock, .31- 18 | 2 |
| | 3 | 630375 | (10000000- 20000000) | Spacer, Battery, Foam, 1.25 X 3.3 X 13.7 | 1 |
| | 4 | 1222318 | (10000000- 20000000) | Tray, Battery, Trimmed [T500, Thick] | 1 |

▽ ASSEMBLY

▲ INCLUDED IN ASSEMBLY

BATTERY GROUP, TPPL 183AH C/20

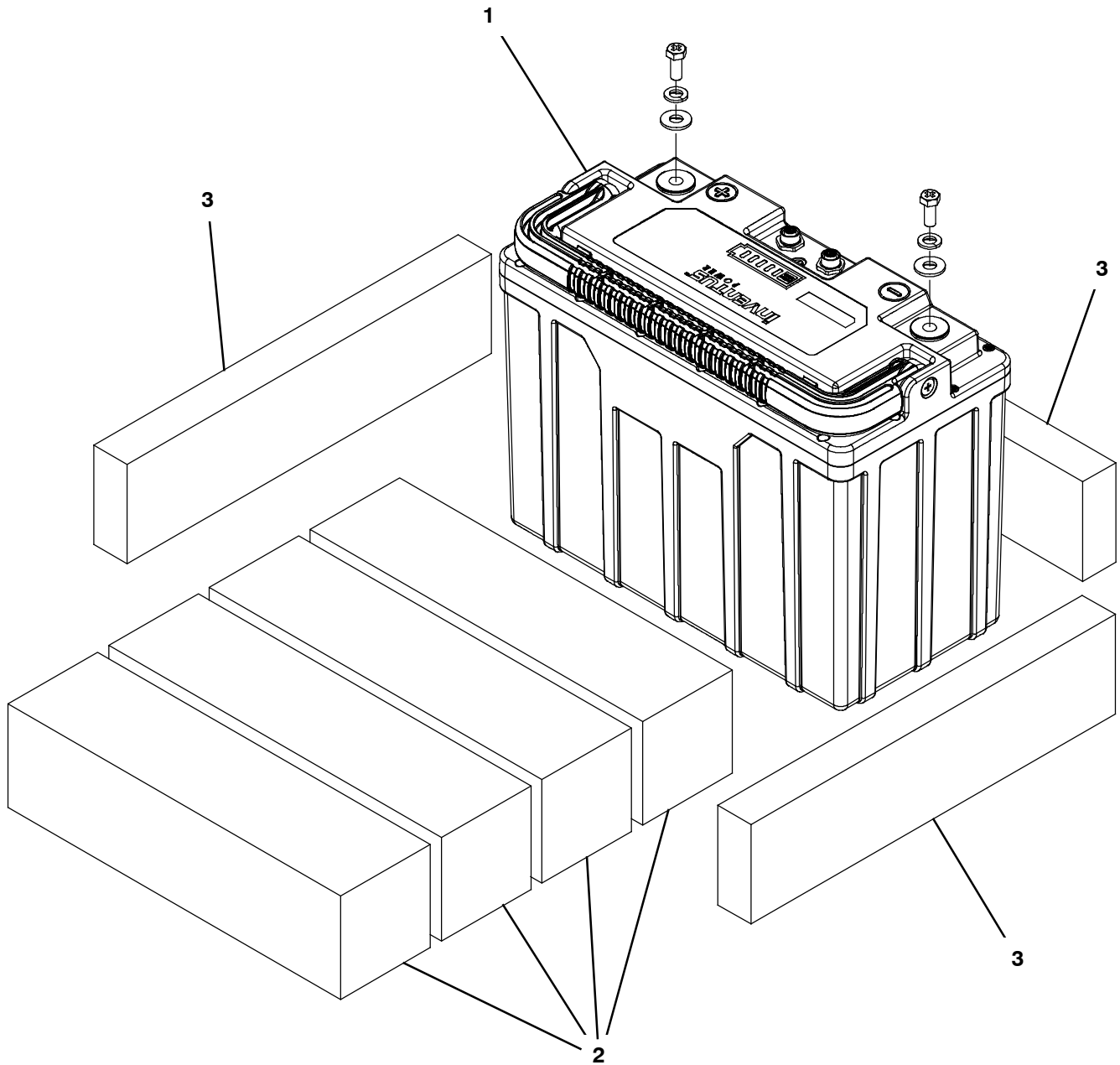
355804



| Ref. | Part No. | Serial Number | Description | Qty. |
|------|----------|-----------------------|--|------|
| 1 | 1254199 | (10000000- 20000000) | Battery, Ttpl, 12vdc, 182ah [C/20] | 2 |
| 2 | 630375 | (10000000- 20000000) | Spacer, Battery, Foam, 1.25 X 3.3 X 13.7 | 4 |
| 3 | 1222318 | (10000000- 20000000) | Tray, Battery, Trimmed [T500, Thick] | 1 |

BATTERY GROUP, 90AH 125 BAUD LITHIUM-ION (1 Battery System)

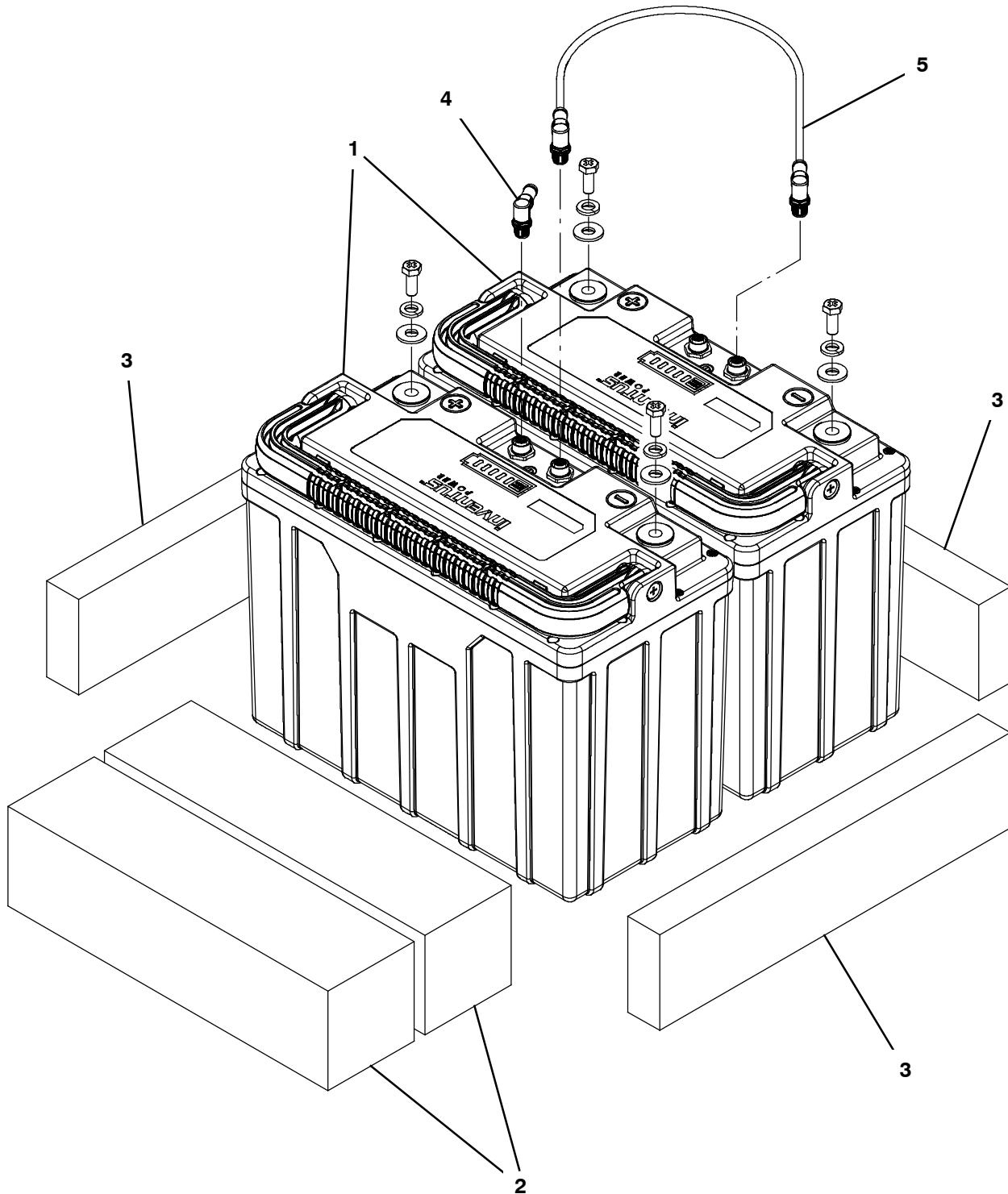
355963



| Ref. | Part No. | Serial Number | Description | Qty. |
|------|----------|-----------------------|---|------|
| 1 | 9022779 | (10000000- 20000000) | Battery, Replmt, Li- Ion, 24v [T300/T500] | 1 |
| 2 | 1243753 | (10000000- 20000000) | Spacer, Battery, Foam, 3.5 X 3.5 X 13.0 | 4 |
| 3 | 630375 | (10000000- 20000000) | Spacer, Battery, Foam, 1.25 X 3.3 X 13.7 | 3 |

BATTERY GROUP, 90AH 125 BAUD LITHIUM-ION (2 Battery System)

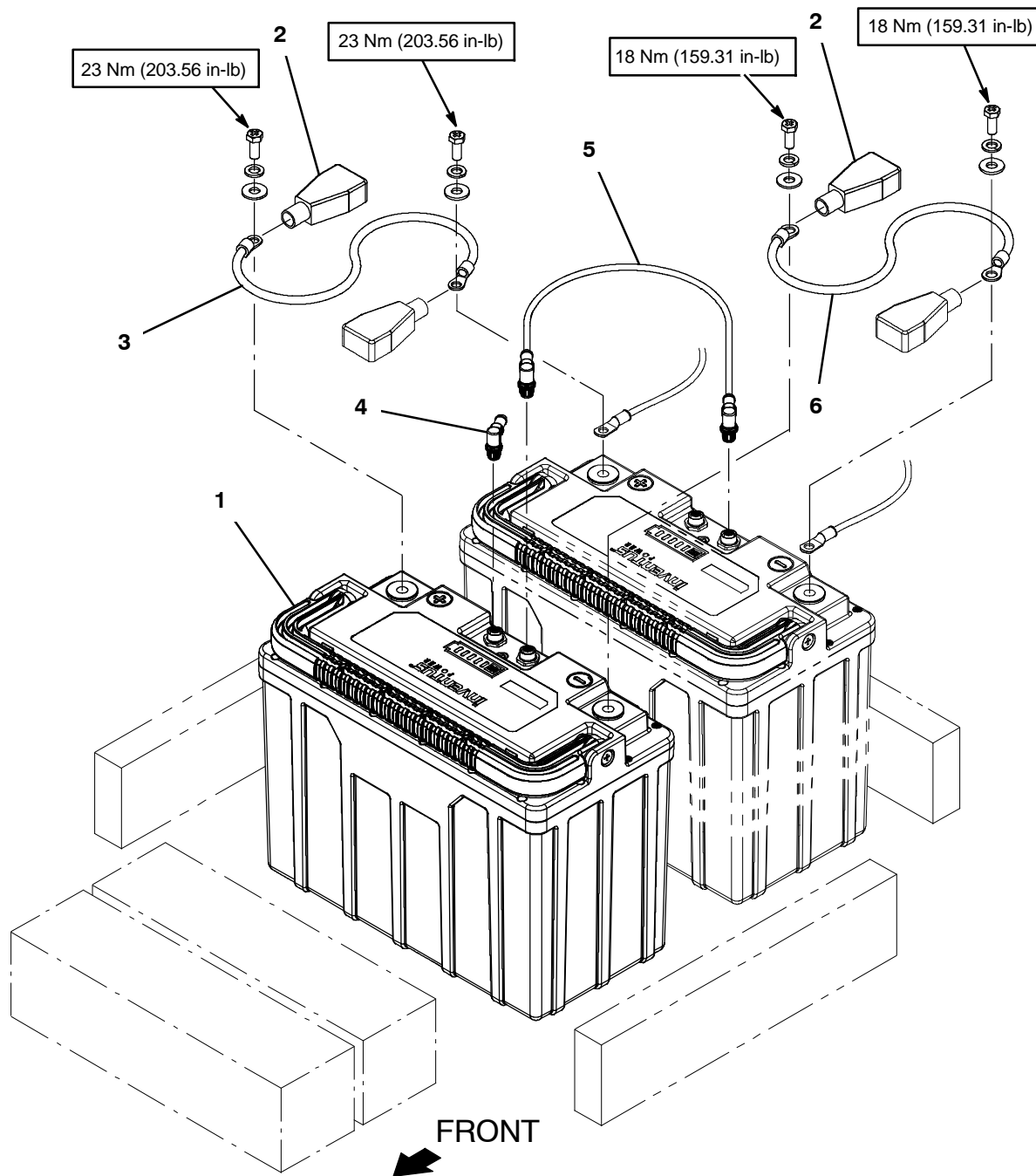
355964



| Ref. | Part No. | Serial Number | Description | Qty. |
|------|----------|----------------------|---|------|
| 1 | 9022779 | (10000000-20000000) | Battery, Replmt, Li- Ion, 24v [T300/T500] | 2 |
| 2 | 1243753 | (10000000-20000000) | Spacer, Battery, Foam, 3.5 X 3.5 X 13.0 | 2 |
| 3 | 630375 | (10000000-20000000) | Spacer, Battery, Foam, 1.25 X 3.3 X 13.7 | 3 |
| 4 | 9022781 | (10000000-20000000) | Resistor, Plug, Replmt | 1 |
| 5 | 1077084 | (10000000-20000000) | Cable Assy, 8 Pos, Male To Male, 19.7l | 1 |

EXTENSION KIT, LITHIUM-ION BATTERY (1 Battery to 2 Battery System)

355953



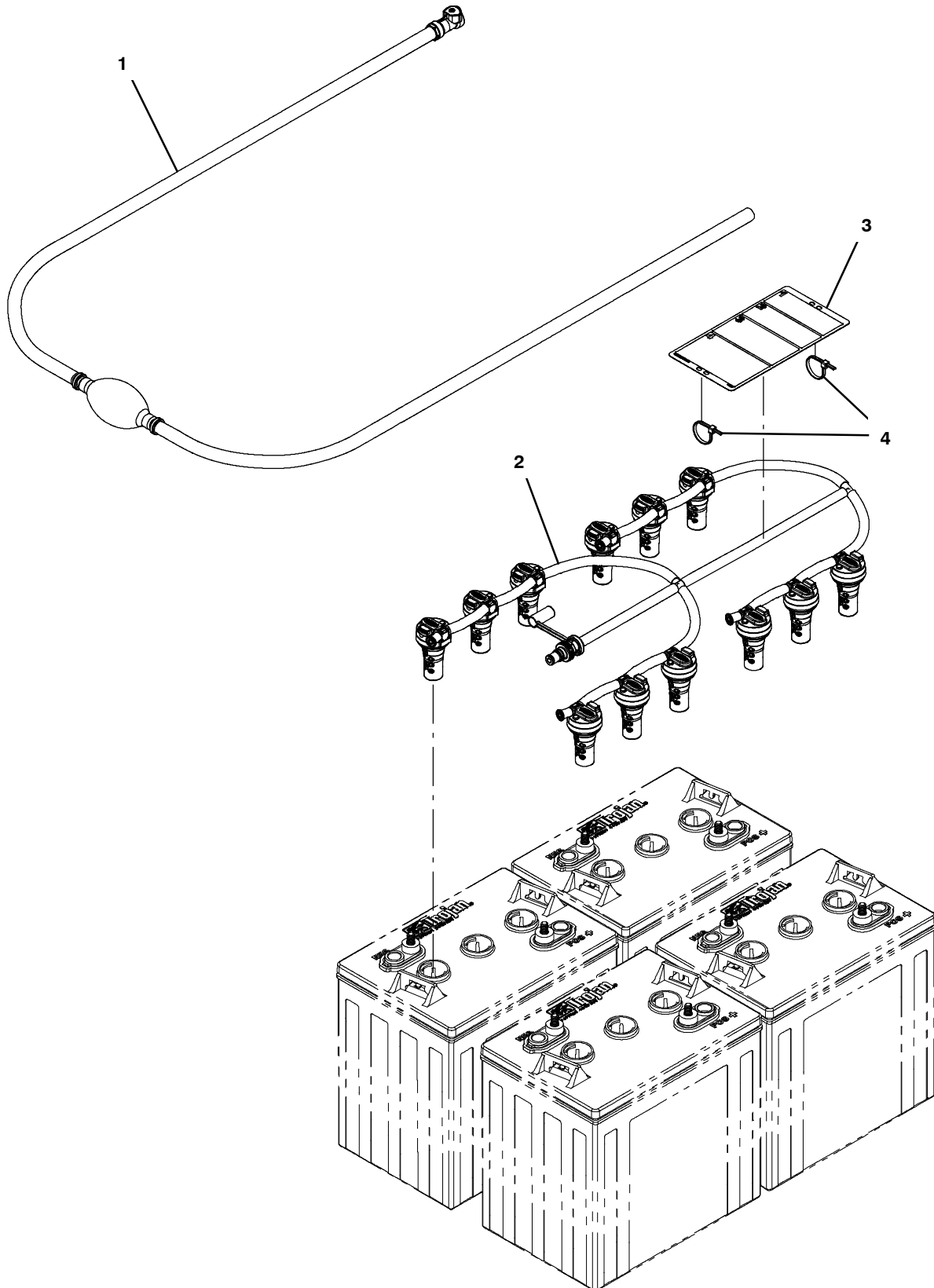
| Ref. | Part No. | Serial Number | Description | Qty. |
|------|-----------|-----------------------|---|------|
| ▽ | 9022780 | (10000000- 20000000) | Battery Kit, Li- Ion,24v,Extn [T300/T500] | 1 |
| ▲ | 1 9022779 | (10000000- 20000000) | Battery, Replmt, Li- Ion, 24v [T300/T500] | 1 |
| ▲ | 2 68872 | (10000000- 20000000) | Boot, Terminal, Battery, 02- 01ga, Blk | 2 |
| ▲ | 3 1077083 | (10000000- 20000000) | Cable, 04ga 18.0l Red .41ring /.41ring | 1 |
| ▲ | 4 9022781 | (10000000- 20000000) | Resistor, Plug, Replmt | 1 |
| ▲ | 5 1077084 | (10000000- 20000000) | Cable Assy, 8 Pos, Male To Male, 19.7l | 1 |
| ▲ | 6 223364 | (10000000- 20000000) | Cable, 04ga 18.0l Blk .34ring /.34ring | 1 |

▽ ASSEMBLY

▲ INCLUDED IN ASSEMBLY

MANUAL BATTERY WATERING SYSTEM

355801



MANUAL BATTERY WATERING SYSTEM

| | Ref. | Part No. | Serial Number | Description | Qty. |
|---|-------------|-----------------|-----------------------|--|-------------|
| ▽ | | 9021123* | (10995399- 20000000) | Fill Kit, Battery, manual, Ci [Trojan] | 1 |
| ▲ | 1 | 1236295 | (10995399- 20000000) | Pump, Hand, Battery | 1 |
| ▲ | 2 | 9021081 | (10995399- 20000000) | Manifold Kit, Water, 4 Btry [Trojan] | 1 |
| ▲ | 3 | 1253250 | (10995399- 20000000) | Label, Tag, Battery [Bwt Watering] | 1 |
| ▲ | 4 | 130773 | (10000000- 20000000) | Tie, Cable, Nyl, 11.0l, .14w, 3.0 Max. D | 2 |

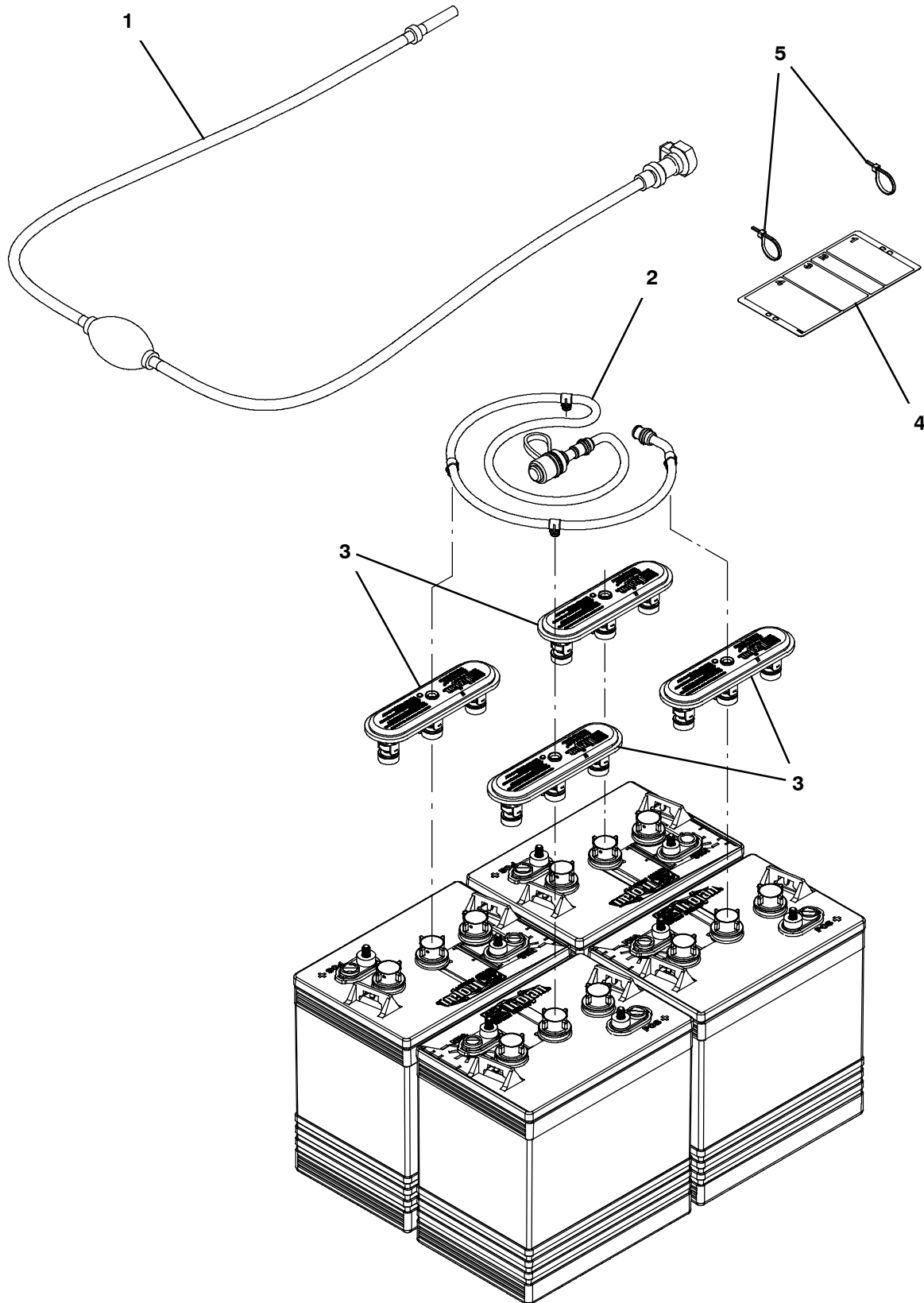
*THIS KIT IS INTENDED FOR USE WITH TROJAN® LEAD ACID BATTERIES ONLY.

▽ ASSEMBLY

▲ INCLUDED IN ASSEMBLY

HYDROLINK® MANUAL BATTERY WATERING SYSTEM

355454



HYDROLINK® MANUAL BATTERY WATERING SYSTEM

| | Ref. | Part No. | Serial Number | Description | Qty. |
|---|-------------|-----------------|-----------------------|---|-------------|
| ▽ | | 9010300* | (10000000- 10995398) | Battery Fill Kit, 24v, Ci [Hydrolink] (Replaced By 9021123) | 1 |
| ▲ | 1 | 1058939 | (10000000- 10995398) | Pump Kit, Fill, Battery | 1 |
| ▲ | 2 | 1229544 | (10000000- 10995398) | Tube, Water, Battery, 24vdc [Trojan] | 1 |
| ▲ | 3 | 1204142 | (10000000- 10995398) | Cap, Fill, Battery [Trojan] | 4 |
| ▲ | 4 | 1071084 | (10000000- 10995398) | Label, Tag, Battery [Hydrolink Watering] | 1 |
| ▲ | 5 | 130773 | (10000000- 20000000) | Tie, Cable, Nyl, 11.0l, .14w, 3.0 Max. D | 2 |

*THIS KIT IS INTENDED FOR USE WITH TROJAN® LEAD ACID BATTERIES ONLY.

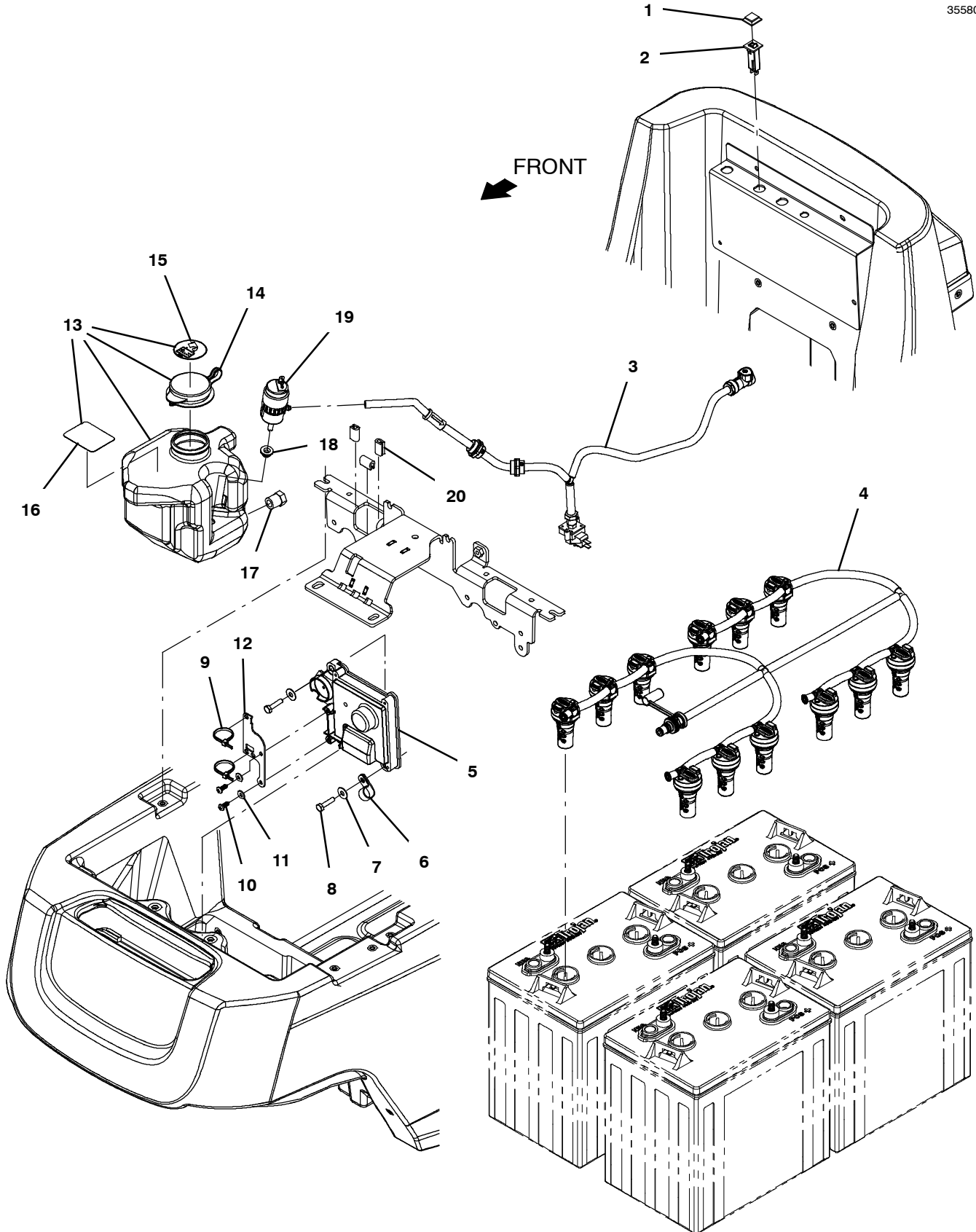
HYDROLINK® IS A REGISTERED TRADEMARK OF TROJAN BATTERY COMPANY.

▽ ASSEMBLY

▲ INCLUDED IN ASSEMBLY

SMART-FILL AUTOMATIC BATTERY WATERING SYSTEM
(S/N 10995399 -)

355802



**SMART-FILL AUTOMATIC BATTERY WATERING SYSTEM
(S/N 10995399 -)**

| Ref. | Part No. | Serial Number | Description | Qty. |
|------|------------|----------------------|---|------|
| ▽ | 9021125* | (10995399-20000000) | Fill Kit, Battery, Auto, Ci [Trojan] | 1 |
| ▲ | 1 1064191 | (10000000-20000000) | Boot, Circuitbreaker | 1 |
| ▲ | 2 1064187 | (10000000-20000000) | Circuitbreaker, 10.0a, Resetable | 1 |
| ▲ | 3 9018989 | (10995399-20000000) | Delivery Kit, Water, Battery | 1 |
| ▲ | 4 9021081 | (10995399-20000000) | Manifold Kit, Water, 4 Btry [Trojan] | 1 |
| ▲ | 5 9016770* | (10995399-20000000) | Controller Kit, Battery, 24vdc, Ci [Abw] (See Breakdowns) | 1 |
| ▲ | 6 40678-1 | (10995399-20000000) | Clamp, Cable, Stl, 0.88d X 0.62w, 1hole | 1 |
| ▲ | 7 01684 | (10000000-20000000) | Washer, Flat, 0.27b 0.69d .05, Ss | 2 |
| ▲ | 8 1016005 | (10000000-20000000) | Screw, Hex, M6 X 1.00 X 25, NI, FI, Ss | 2 |
| ▲ | 9 130773 | (10000000-20000000) | Tie, Cable, Nyl, 11.0l, .14w, 3.0 Max. D | 2 |
| ▲ | 10 1018155 | (10000000-20000000) | Screw, Pan, Phl, M5 X 0.80 X 16, Tcut,Ss | 2 |
| ▲ | 11 01683 | (10000000-20000000) | Washer, Flat, 10, Ss | 2 |
| ▲ | 12 1252827 | (10995399-20000000) | Bracket, Mtg, Abw | 1 |
| ▲▽ | 13 9021131 | (10995399-20000000) | Tank Kit, Battery Fill, Ci [W/ Pump] | 1 |
| ▲▲ | 14 1224600 | (10000000-20000000) | Cap, Snap, 2.17d [Blue] | 1 |
| ▲▲ | 15 1224988 | (10995399-20000000) | Label, Automated Battery Watering | 1 |
| ▲▲ | 16 1233633 | (10995399-20000000) | Label, Detgt [Do Not Add] | 1 |
| ▲▲ | 17 630146 | (10995399-20000000) | Fitting, Plug, Pm06, Hdpe | 1 |
| ▲▲ | 18 1231338 | (10995399-20000000) | Grommet, Pump | 1 |
| ▲▲ | 19 1231018 | (10995399-20000000) | Pump, In- Tank, 13.5vdc 3.5lpm | 1 |
| ▲ | 20 1020168 | (10000000-20000000) | Molding, Afmkt, Trim, Pvc, .08 .11, 01ft | 1 |

* Requires Tennant *True* service or an authorized Tennant service provider.

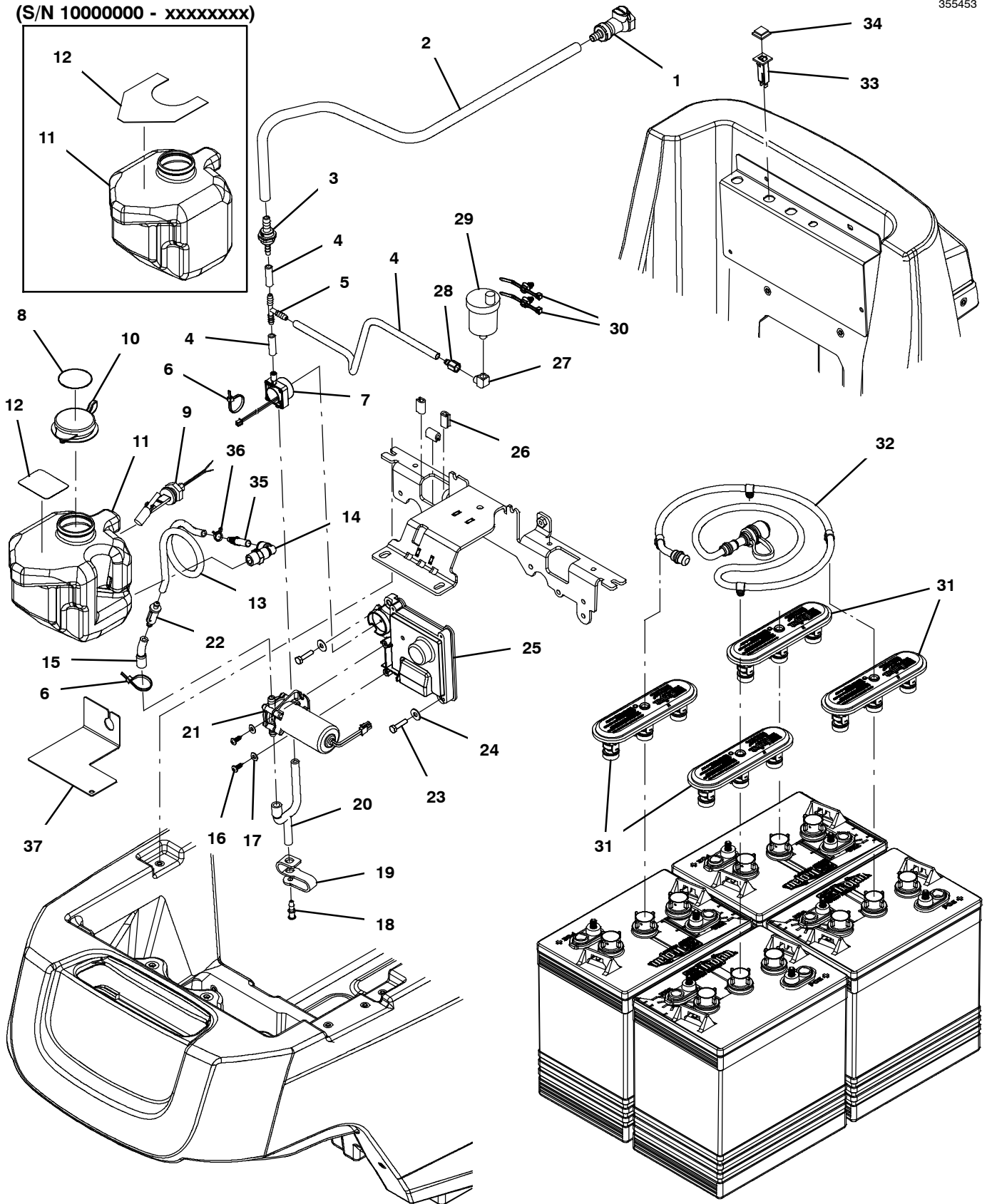
▽ ASSEMBLY

▲ INCLUDED IN ASSEMBLY

SMART-FILL AUTOMATIC BATTERY WATERING SYSTEM
(S/N 10000000 - 10995398)

355453

(S/N 10000000 - xxxxxxxx)



**SMART-FILL AUTOMATIC BATTERY WATERING SYSTEM
(S/N 10000000 - 10995398)**

| Ref. | Part No. | Serial Number | Description | Qty. |
|------|----------|-----------------------|--|------|
| 1 | 1221589 | (10000000- 10995398) | Fitting, Plstc, Str, Bm06, Cplg, Fem[HI] | 1 |
| 2 | 1006416 | (10000000- 10995398) | Hose, Afrmkt, Pvc, Clr, 0.38id, 03ft | 1 |
| 3 | 1225185 | (10000000- 10995398) | Valve, Check, 0002psi Bm04/Bm06 | 1 |
| 4 | 1006415 | (10000000- 10995398) | Hose, Afrmkt, Pvc, Clr, 0.25id, 03ft | 1 |
| 5 | 150713 | (10000000- 10995398) | Fitting, Plstc, Tee, Bm04/Bm04/Bm04 | 1 |
| 6 | 130773 | (10000000- 20000000) | Tie, Cable, Nyl, 11.0l, .14w, 3.0 Max. D | 2 |
| 7 | 9022735 | (10000000- 10995398) | Service Kit, Meter, Flow | 1 |
| 8 | 1224988 | (10000000- 10995398) | Label, Automated Battery Watering | 1 |
| 9 | 1212430 | (10000000- 10995398) | Sensor, Level, Liq, 30watt, Spst | 1 |
| 10 | 1224600 | (10000000- 20000000) | Cap, Snap, 2.17d [Blue] | 1 |
| 11 | 1252606 | (xxxxxxx- 20000000) | Tank, 2.3l, Trimmed, Se | 1 |
| 11 | 1217453 | (10000000- xxxxxxxx) | Tank [2.5 Liter] (Replaced By 1252606) | 1 |
| 12 | 1233633 | (xxxxxxx- 20000000) | Label, Detgt [Do Not Add] | 1 |
| 12 | 1228813 | (10000000- xxxxxxxx) | Label, Warning, No Detgt (Replaced By 1233633) | 1 |
| 13 | 1006415 | (10000000- 10995398) | Hose, Afrmkt, Pvc, Clr, 0.25id, 03ft | 1 |
| 14 | 1212812 | (10000000- 10995398) | Fitting, Plstc, E90, Qf06/Pm06, Swivel | 1 |
| 15 | 1224108 | (10000000- 10995398) | Hose, Mold, Bm04/Bm06 | 1 |
| 16 | 1018155 | (10000000- 20000000) | Screw, Pan, Phl, M5 X 0.80 X 16, Tcut, Ss | 2 |
| 17 | 01683 | (10000000- 20000000) | Washer, Flat, 10, Ss | 2 |
| 18 | 1228042 | (10000000- 10995398) | Fitting, Plstc, Cap, Bm03 [T500] | 1 |
| 19 | 1228043 | (10000000- 10995398) | Strap, Retaining, Cap [T500] | 1 |
| 20 | 1224016 | (10000000- 10995398) | Hose, Molded, Bm04/Bm06 | 1 |
| 21 | 1220042 | (10000000- 10995398) | Pump, Fill, Battery | 1 |
| 22 | 1222924 | (10000000- 10995398) | Filter, In- Line, Bm04/Bm04, 100mic, 2.0l | 1 |
| 23 | 1016005 | (10000000- 20000000) | Screw, Hex, M6 X 1.00 X 25, NI, FI, Ss | 2 |
| 24 | 01684 | (10000000- 20000000) | Washer, Flat, 0.27b 0.69d .05, Ss | 2 |
| 25 | 9018008* | (10000000- 10995398) | Kit, Module, Abw, Ci (See Breakdowns) (Replaced By 9016770) | 1 |
| 26 | 1020168 | (10000000- 20000000) | Molding, Afrmkt, Trim, Pvc, .08 .11, 01ft | 1 |
| 27 | 150407 | (10000000- 10995398) | Fitting, Brs, E90, Pf02/Pm02 [Street] | 1 |
| 28 | 1040254 | (10000000- 10995398) | Fitting, Brs, Str, Bm04/Pf02 | 1 |
| 29 | 1017386 | (10000000- 10995398) | Valve, Vent, Air, Float Type | 1 |
| 30 | 1210807 | (10000000- 10995398) | Wire, Tie [W/.25" Fir Tree Clip] | 2 |
| 31 | 1204142 | (10000000- 10995398) | Cap, Fill, Battery [Trojan] | 4 |
| 32 | 1229544 | (10000000- 10995398) | Tube, Water, Battery, 24vdc [Trojan] | 1 |
| 33 | 1064187 | (10000000- 20000000) | Circuitbreaker, 10.0a, Resetable | 1 |
| 34 | 1064191 | (10000000- 20000000) | Boot, Circuitbreaker | 1 |
| 35 | 1212857 | (10000000- 10995398) | Fitting, Plstc, Str, Qm06/Bm04 | 1 |
| 36 | 613735 | (10000000- 10995398) | Clamp, Hose, Wir, .40 - .42, Yel | 1 |
| 37 | 1243106 | (10000000- 10995398) | Plate, Shield, Switch | 1 |

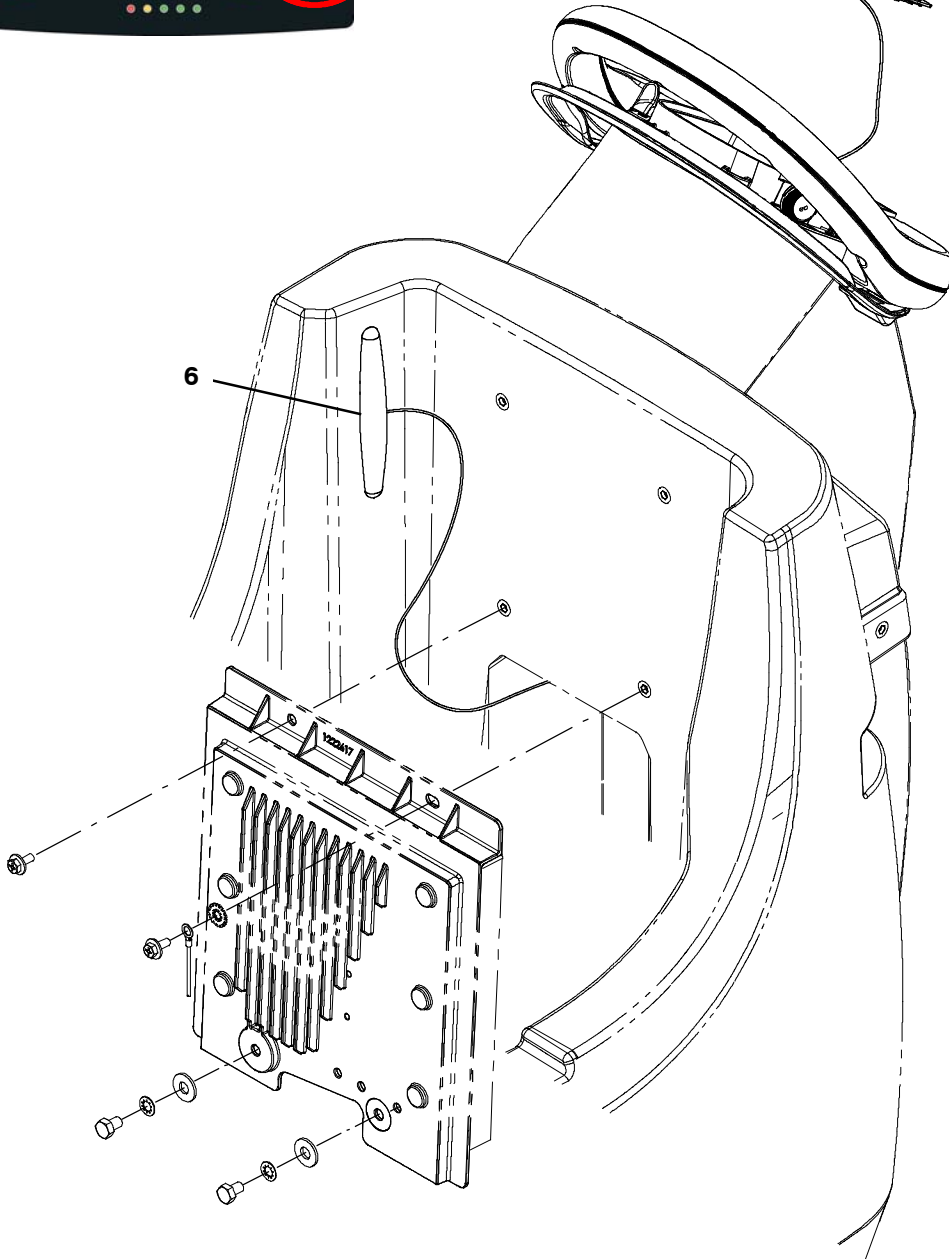
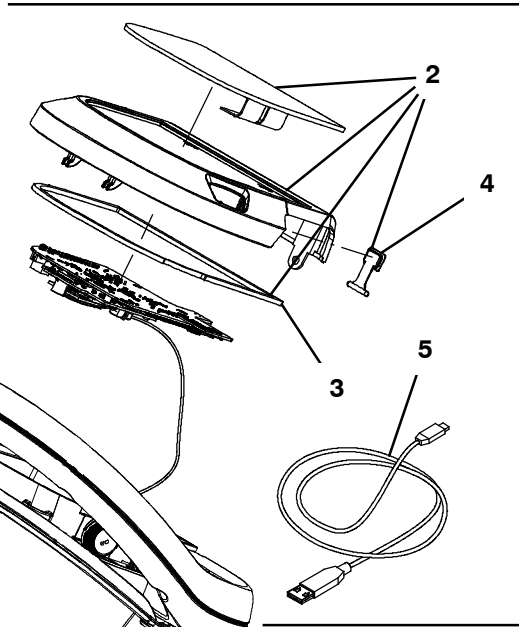
* Requires Tennant *True* service or an authorized Tennant service provider.

CONSOLE PANEL, PRO-MEMBRANE, WITH TELEMETRY
(S/N 11099113 -)

358023

Membrane Replacement
Order 9021919

Note Visual
Difference
Only When
Illuminated



**CONSOLE PANEL, PRO-MEMBRANE, WITH TELEMETRY
(S/N 11099113 -)**

| | Ref. | Part No. | Serial Number | Description | Qty. |
|----|------|-----------|-----------------------|---|------|
| ▽ | 1 | 9021888* | (11099113- 20000000) | Bezel Kit, Memb, Telem, Ci [T500/T600] | 1 |
| ▲▽ | 2 | 9021919** | (11099113- 20000000) | Screen Kit, Membrane, Ci [T500/T600] | 1 |
| ▲▲ | 3 | 1245824 | (MAR2020- 20000000) | Gasket, Console | 1 |
| ▲▲ | 4 | 1205618 | (10000000- 20000000) | Cap, Usb | 1 |
| ▲ | 5 | 1071235 | (10000000- 20000000) | Cable [Usb, 2m, A- Male To Mini- B- Male] | 1 |
| ▲ | 6 | 1247522 | (11099113- 20000000) | Antenna, Telem [4g, 72"] | 1 |

* Requires Tennant *True* service or an authorized Tennant service provider.

** Before Ordering Screen Kit Confirm Screen Visually Matches Correct Screen Image.

▽ ASSEMBLY

▲ INCLUDED IN ASSEMBLY

CONSOLE PANEL, PRO-MEMBRANE, WITH TELEMETRY
(S/N 10000000 - 11099112)

358024

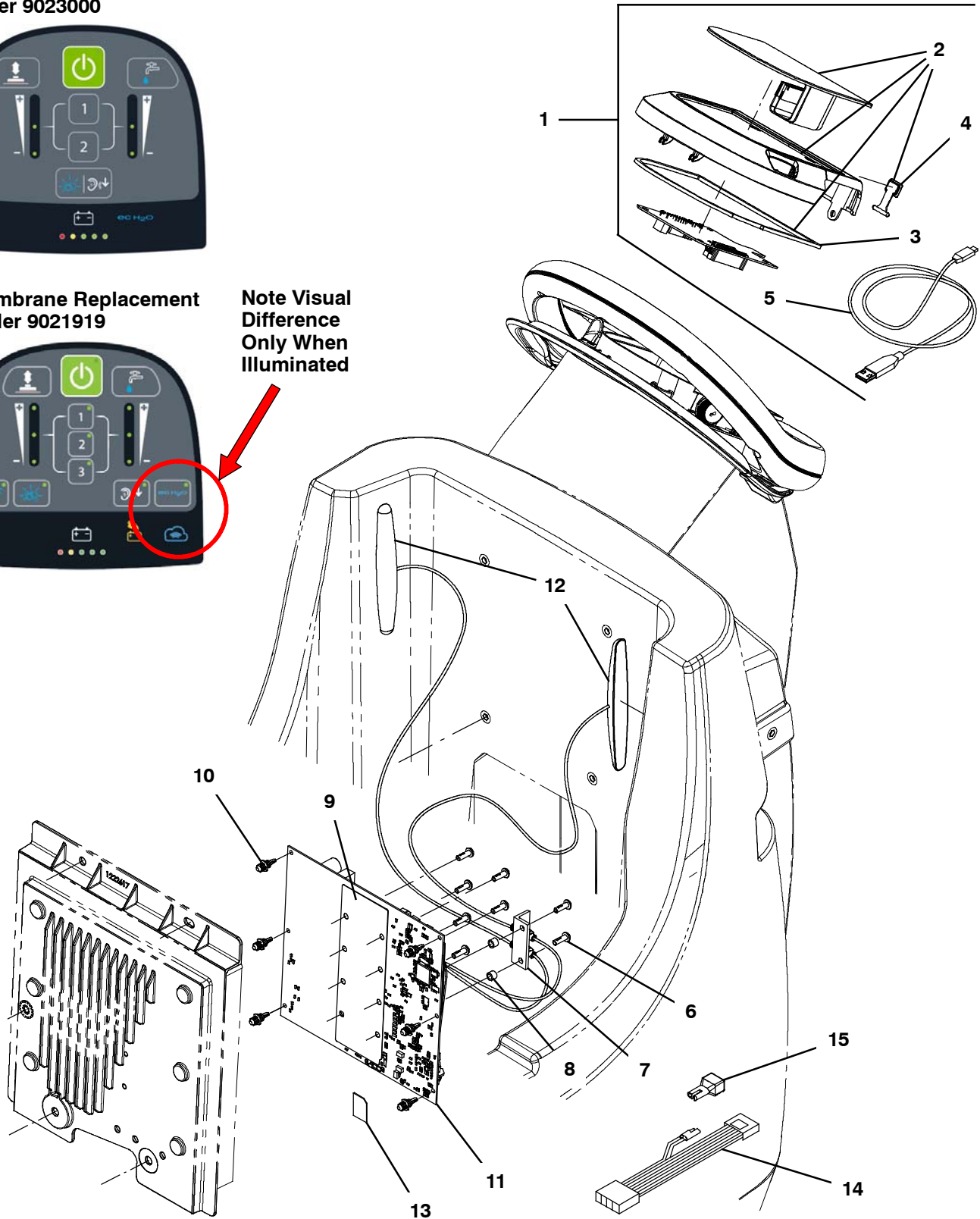
Membrane Replacement
Order 9023000



Membrane Replacement
Order 9021919



Note Visual
Difference
Only When
Illuminated



**CONSOLE PANEL, PRO-MEMBRANE, WITH TELEMETRY
(S/N 10000000 - 11099112)**

| | Ref. | Part No. | Serial Number | Description | Qty. |
|----|------|-----------|-----------------------|--|------|
| ▽ | 1 | 9015778* | (10000000- 11099112) | Bezel Kit, Membrane [T500] (Replaced By 9023000*) | 1 |
| ▲▽ | 2 | 9015779** | (10000000- 11099112) | Screen Kit [T500] (Replaced By 9023000*) | 1 |
| ▲▲ | 3 | 1245824 | (MAR2020- 20000000) | Gasket, Console | 1 |
| ▲▲ | 4 | 1205618 | (10000000- 20000000) | Cap, Usb | 1 |
| ▲ | 5 | 1071235 | (10000000- 20000000) | Cable [Usb, 2m, A- Male To Mini- B- Male] | 1 |
| | 6 | 1205799 | (10000000- 20000000) | Screw, Btn, M5 X 0.8 X 16, 8.8, NI, Torx | 9 |
| | 7 | 1227812 | (10000000- 11099112) | Bracket, Sma Connector | 1 |
| | 8 | 1227815 | (10000000- 11099112) | Spacer, Unthreaded, Aluminium | 2 |
| | 9 | 1220930 | (10000000- 20000000) | Circuitboard, Silpad [T500, Main Scrub] | 1 |
| | 10 | 1209448 | (10000000- 20000000) | Standoff, Circuitboard, .25 | 1 |
| ▽ | 11 | 9015787* | (10000000- 11099112) | Kit, Control Board, Telem, Ci [T500] (Replaced By 9021889*) | 1 |
| ▲ | | 27964 | (10000000- 20000000) | Strap, Ground, Static, Disposable | 1 |
| ▲ | | 1071235 | (10000000- 20000000) | Cable [Usb, 2m, A- Male To Mini- B- Male] | 1 |
| ▲ | | 130773 | (10000000- 20000000) | Tie, Cable, Nyl, 11.0l, .14w, 3.0 Max. D | 1 |
| ▲ | 12 | 1247569 | (10997158- 11099112) | Antenna, Telem [4g, 36"] | 2 |
| | 12 | 315724 | (10000000- 10994157) | Antenna, Telem, 18.0 In [Gprs] | 1 |
| | 13 | 9014186 | (10000000- 11099112) | Kit, Telem, Ci [Sim, Usa, T300] (No Longer Available) | 1 |
| | 13 | 9014187 | (10000000- 11099112) | Kit, Telem, Ci [Sim, Intl, T300] (No Longer Available) | 1 |
| | 14 | 1075195 | (10000000- 11099112) | Harness, Ele, Adaptor [T300, Amii] | 1 |
| | 15 | 222290 | (10000000- 11099112) | Diode, Ele, Plug | 1 |

* Requires Tennant *True* service or an authorized Tennant service provider.

** Before Ordering Screen Kit Confirm Screen Visually Matches Correct Screen Image.

▽ ASSEMBLY

▲ INCLUDED IN ASSEMBLY

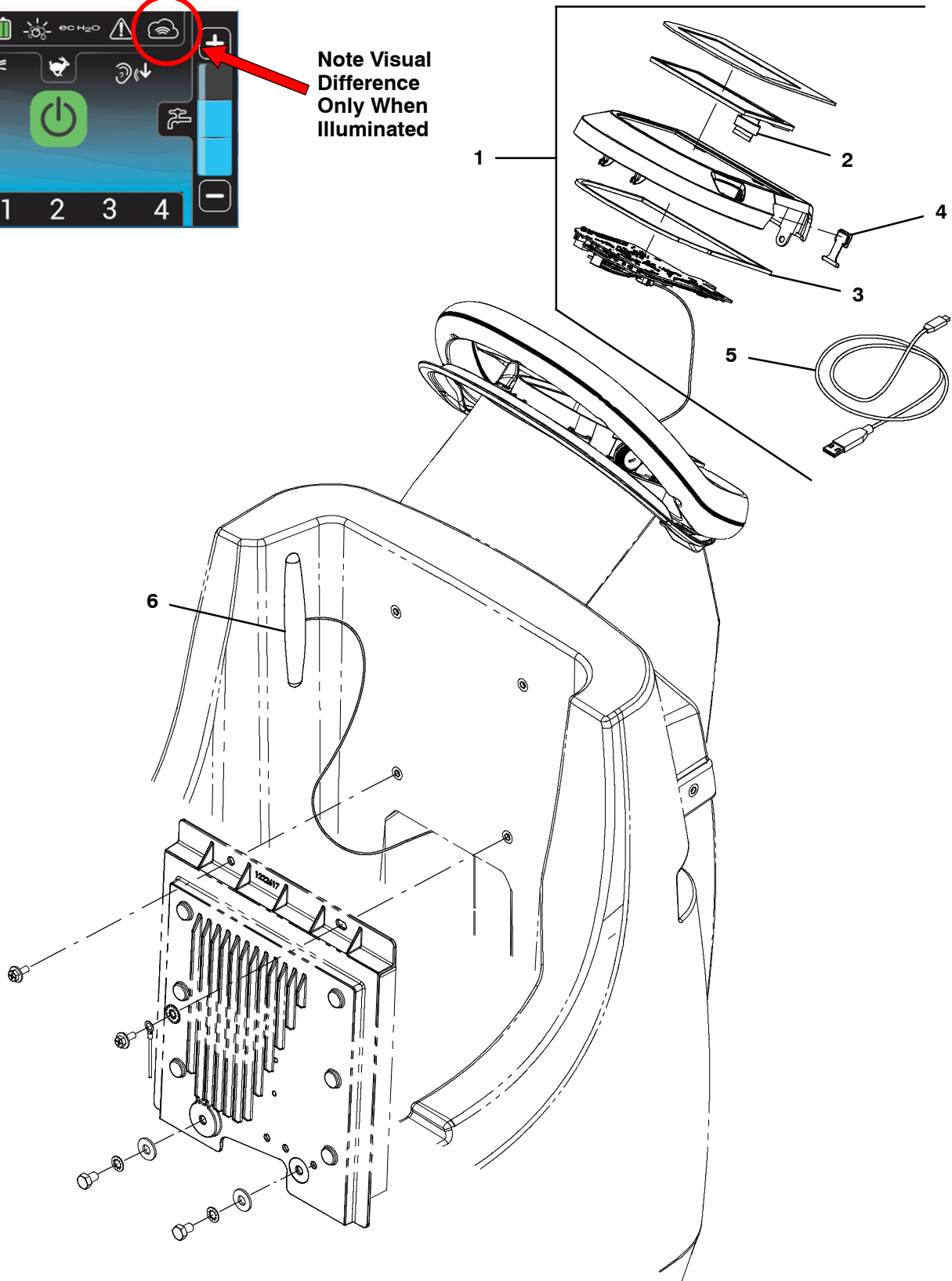
CONSOLE PANEL, PRO-PANEL LCD, WITH TELEMETRY
(S/N 11099113 -)

358027

Bezel Replacement Order 9021645



Note Visual
Difference
Only When
Illuminated



**CONSOLE PANEL, PRO- PANEL LCD, WITH TELEMETRY
(S/N 11099113 -)**

| | Ref. | Part No. | Serial Number | Description | Qty. |
|---|-------------|-----------------|-----------------------|---|-------------|
| ▽ | 1 | 9021645* | (11099113- 20000000) | Bezel Kit, Propel, Pro- Panl, Telem, Ci | 1 |
| ▲ | 2 | 1233769 | (10000000- 20000000) | Inductor, Ribbon Cable | 1 |
| ▲ | 3 | 1245824 | (MAR2020- 20000000) | Gasket, Console | 1 |
| ▲ | 4 | 1205618 | (10000000- 20000000) | Cap, Usb | 1 |
| ▲ | 5 | 1071235 | (10000000- 20000000) | Cable [Usb, 2m, A- Male To Mini- B- Male] | 1 |
| ▲ | 6 | 1247522 | (11099113- 20000000) | Antenna, Telem [4g, 72"] | 1 |

*** Requires Tennant *True* service or an authorized Tennant service provider.**

▽ ASSEMBLY

▲ INCLUDED IN ASSEMBLY

CONSOLE PANEL, PRO-PANEL LCD, WITH TELEMETRY
(S/N 10000000 - 11099112)

358028

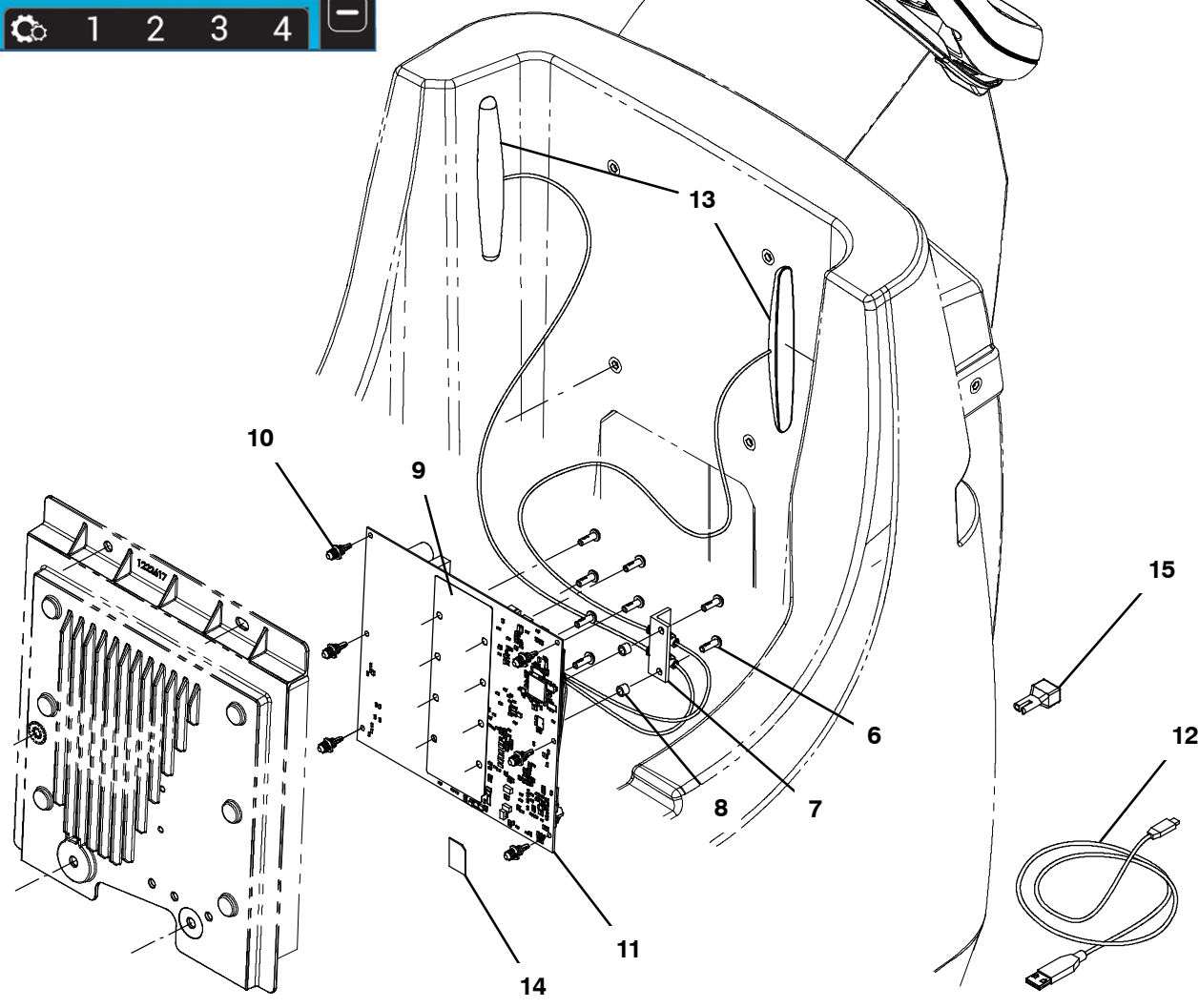
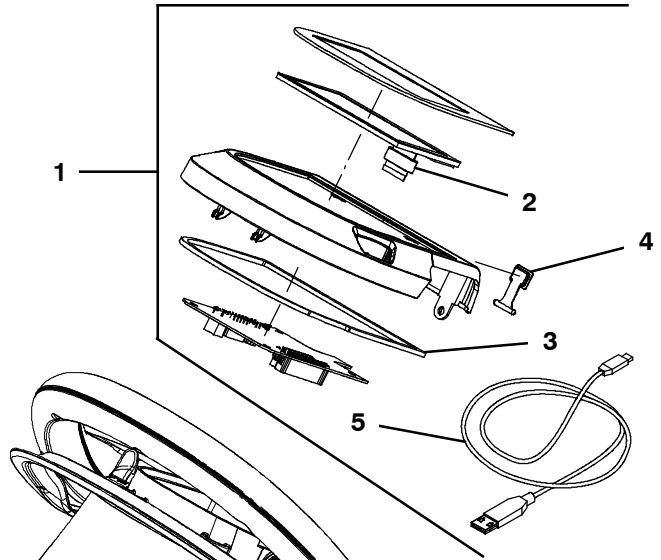
Bezel Replacement Order 9023002



Bezel Replacement Order 9021645



Note Visual Difference Only When Illuminated



**CONSOLE PANEL, PRO-PANEL LCD, WITH TELEMETRY
(S/N 10000000 - 11099112)**

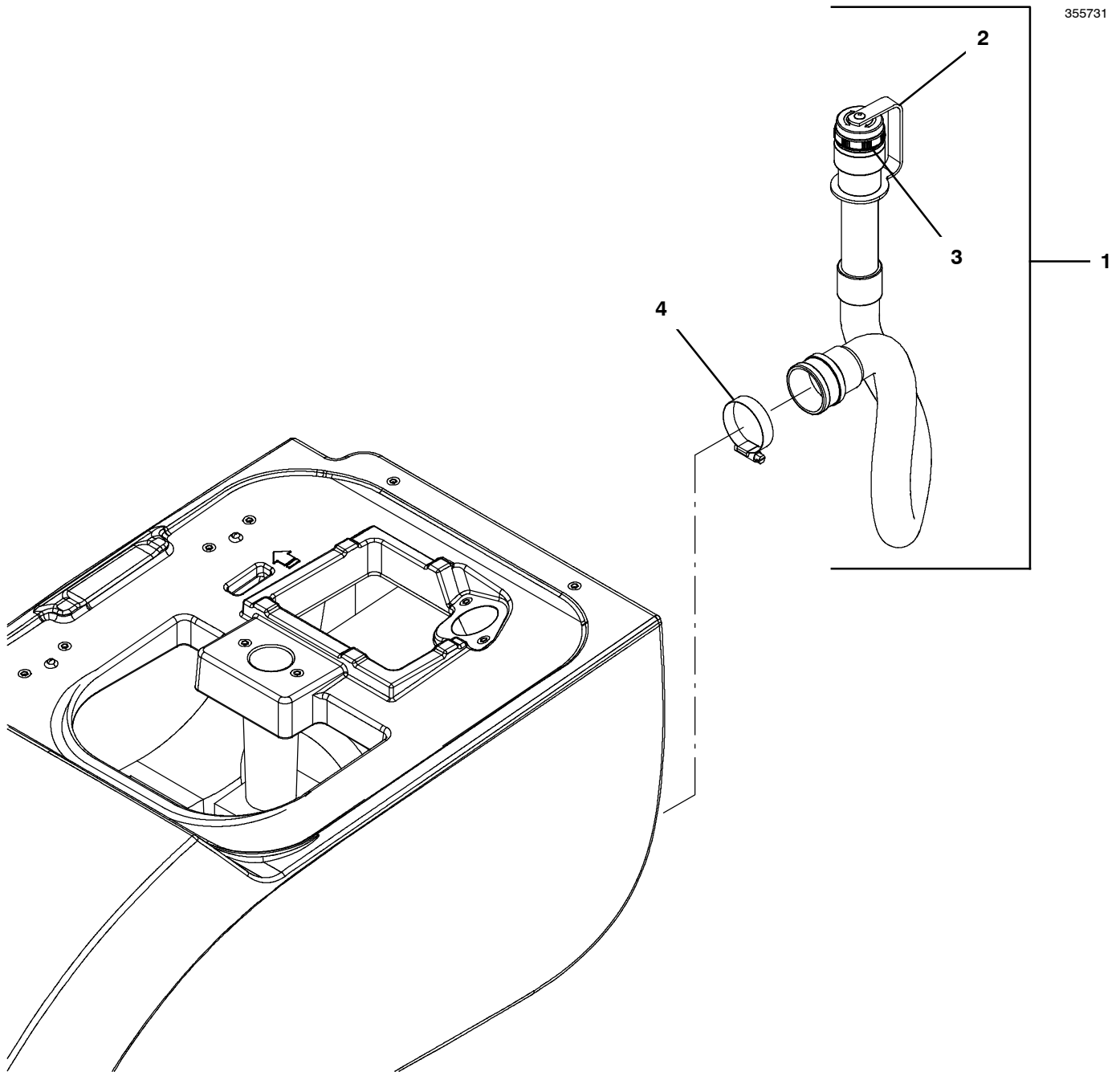
| Ref. | Part No. | Serial Number | Description | Qty. |
|------|----------|---------------|---|------|
| ▽ | 1 | 9014135* | (10000000- 11099112) Bezel Kit, Propel, Lcd Pro- Pnl, Ci (Also Requires Ferrite) (Replaced By 9023002*) | 1 |
| ▲ | 2 | 1233769 | (10000000- 20000000) Inductor, Ribbon Cable | 1 |
| ▲ | 3 | 1245824 | (MAR2020- 20000000) Gasket, Console | 1 |
| ▲ | 4 | 1205618 | (10000000- 20000000) Cap, Usb | 1 |
| ▲ | 5 | 1071235 | (10000000- 20000000) Cable [Usb, 2m, A- Male To Mini- B- Male] | 1 |
| | 6 | 1205799 | (10000000- 11089806) Screw, Btn, M5 X 0.8 X 16, 8.8, NI, Torx | 2 |
| | 7 | 1227812 | (10000000- 11089806) Bracket, Sma Connector | 1 |
| | 8 | 1227815 | (10000000- 11089806) Spacer, Unthreaded, Aluminium | 2 |
| | 9 | 1220930 | (10000000- 20000000) Circuitboard, Silpad [T500, Main Scrub] | 1 |
| | 10 | 1209448 | (10000000- 20000000) Standoff, Circuitboard, .25 | 1 |
| ▽ | 11 | 9015787* | (10000000- 11099112) Kit, Control Board, Telem, Ci [T500 T600] (N. America) (Replaced By 9021892*) | 1 |
| ▲ | | 27964 | (10000000- 20000000) Strap, Ground, Static, Disposable | 1 |
| ▲ | | 130773 | (10000000- 20000000) Tie, Cable, Nyl, 11.0l, .14w, 3.0 Max. D | 3 |
| ▲ | 12 | 1071235 | (10000000- 20000000) Cable [Usb, 2m, A- Male To Mini- B- Male] | 1 |
| | 13 | 1247569 | (10997158- 11099112) Antenna, Telem [4g, 36"] | 2 |
| | 13 | 315724 | (10000000- 10999246) Antenna, Telem, 18.0 In [Gprs] | 1 |
| ▽ | 11 | 9017503* | (10000000- 11099112) Circuitboard Kit, W/Telem, Ci [T600 Intl] (Replaced By 9021892*) | 1 |
| ▲ | | 27964 | (10000000- 20000000) Strap, Ground, Static, Disposable | 1 |
| ▲ | 12 | 1071235 | (10000000- 20000000) Cable [Usb, 2m, A- Male To Mini- B- Male] | 1 |
| | 13 | 1247569 | (10997158- 11099112) Antenna, Telem [4g, 36"] | 1 |
| | 13 | 315724 | (10000000- 10997157) Antenna, Telem, 18.0 In [Gprs] | 1 |
| | 14 | 9014186 | (10000000- 11099112) Kit, Telem, Ci [Sim, Usa, T300] (No Longer Available) | 1 |
| | 14 | 9014187 | (10000000- 11099112) Kit, Telem, Ci [Sim, Intl, T300] (No Longer Available) | 1 |
| | 15 | 222290 | (10000000- 20000000) Diode, Ele, Plug | 1 |

*** Requires Tennant *True* service or an authorized Tennant service provider.**

▽ ASSEMBLY

▲ INCLUDED IN ASSEMBLY

PINCH CUFF SCREW CAP DRAIN HOSE GROUP



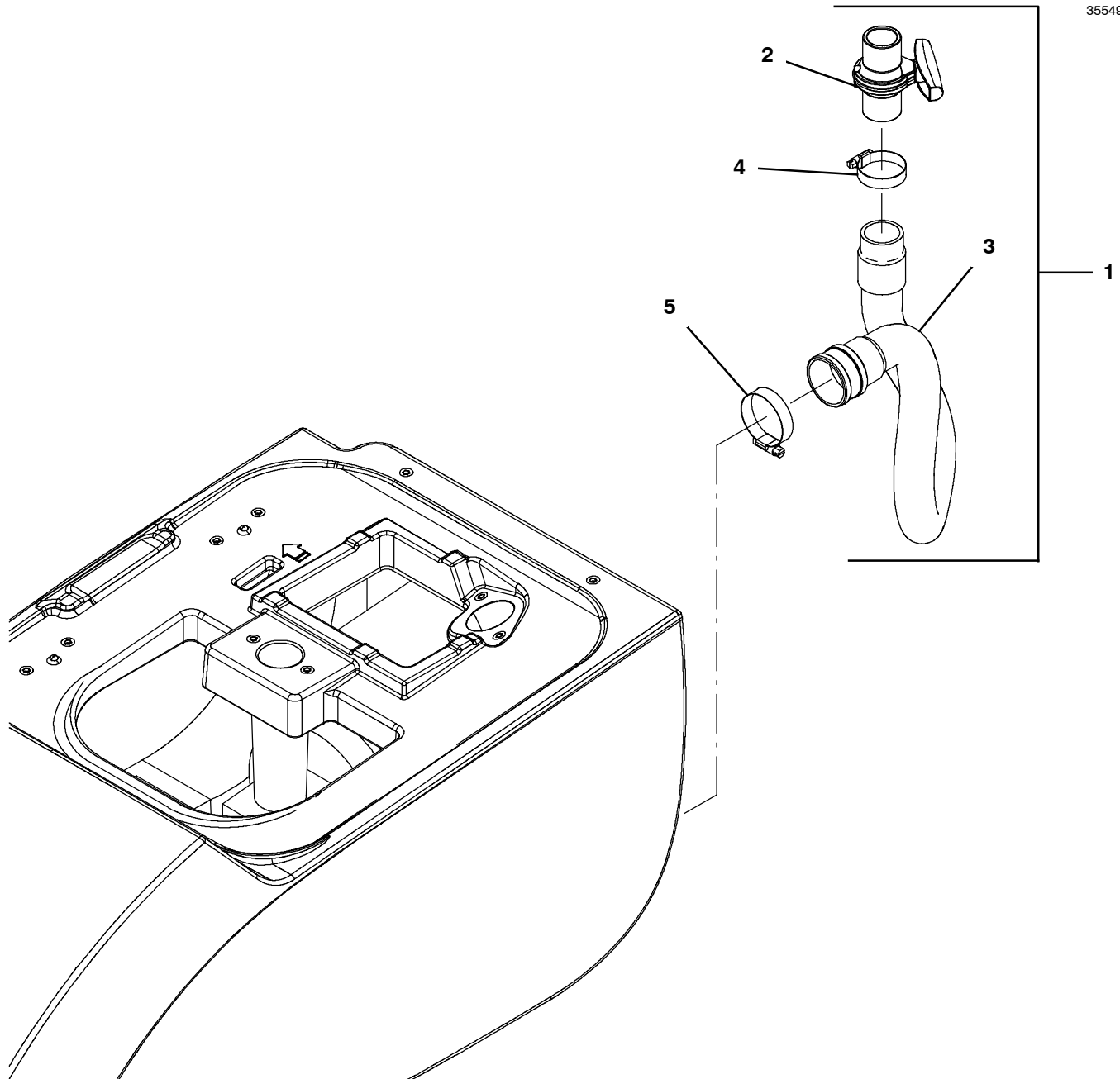
| Ref. | Part No. | Serial Number | Description | Qty. |
|------|----------|---------------|---|------|
| ▽ | 1 | 1250482 | (10984821- 20000000) Hose Assy, Drain, 1.5id X 15.5l [Pvc] (Black) | 1 |
| ▲▽ | 2 | 1218955 | (10000000- 20000000) Cap, Drain Assy [Black] | 1 |
| ▲▲ | 3 | 1008637 | (10000000- 20000000) Seal, Org, 1.48id 1.76od | 1 |
| ▽ | 1 | 1247083 | (10948943- 10984820) Hose Assy, Drain, 1.5id X 26.4l [Pu] (Gray) (NLA - Replaced By Black PVC Hose 1250482) | 1 |
| ▲▽ | 2 | 1219134 | (10948943- 10984820) Cap, Drain Assy [Gray] | 1 |
| ▲▲ | 3 | 1008637 | (10948943- 20000000) Seal, Org, 1.48id 1.76od | 1 |
| | 4 | 22297 | (10000000- 20000000) Clamp, Hose, Wormdrive, 1.56- 2.50d, .50w | 1 |

▽ ASSEMBLY

▲ INCLUDED IN ASSEMBLY

CONTROL VALVE DRAIN HOSE GROUP

355495



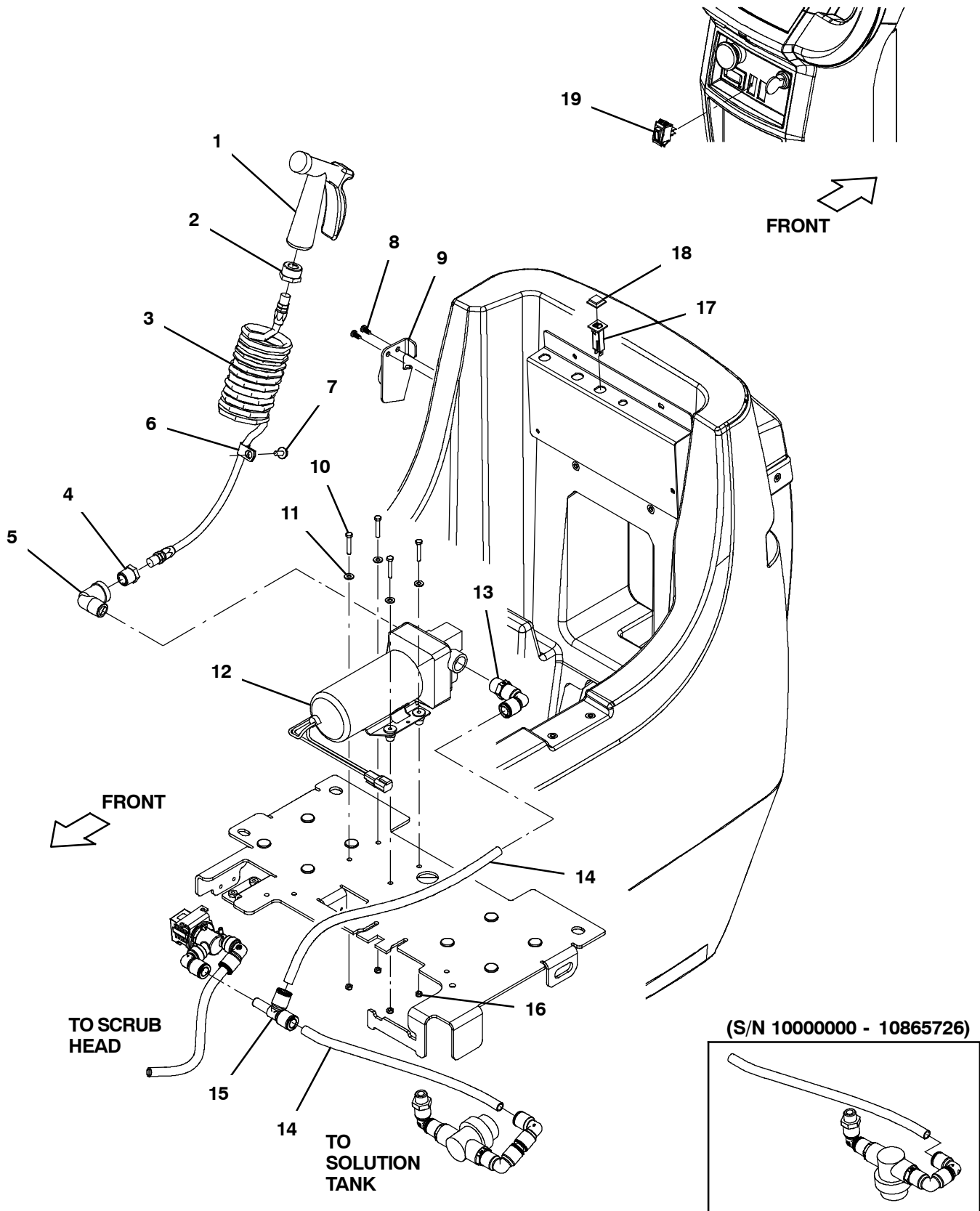
| Ref. | Part No. | Serial Number | Description | Qty. |
|------|----------|---------------|--|------|
| ▽ | 1 | 9015726 | (10000000- 10948942) Hose Kit, Drain, Pu, W/ Valve, Ci[T500] (Gray) (No Longer Available - Replaced by 1250482 - Pinch Cuff Screw Cap Style) | 1 |
| ▲ | 2 | 1051986 | (10000000- 10948942) Valve, Ball, 2way, 1.0id Pvc, W/Handle (No Longer Available - Replaced by 1250482 - Pinch Cuff Screw Cap Style) | 1 |
| ▲ | 3 | 1225817 | (10000000- 10948942) Hose Assy, W/2cuff, 1.5d 0271 2.0/1.5[Pu] (Gray) | 1 |
| ▲ | 4 | 11531 | (10000000- 10948942) Clamp, Hose, Wormdrive, 1.06- 2.00d, .56w | 1 |
| | 5 | 22297 | (10000000- 20000000) Clamp, Hose, Wormdrive, 1.56- 2.50d, .50w | 1 |

▽ ASSEMBLY

▲ INCLUDED IN ASSEMBLY

RECOVERY TANK RINSE KIT

355431



RECOVERY TANK RINSE KIT

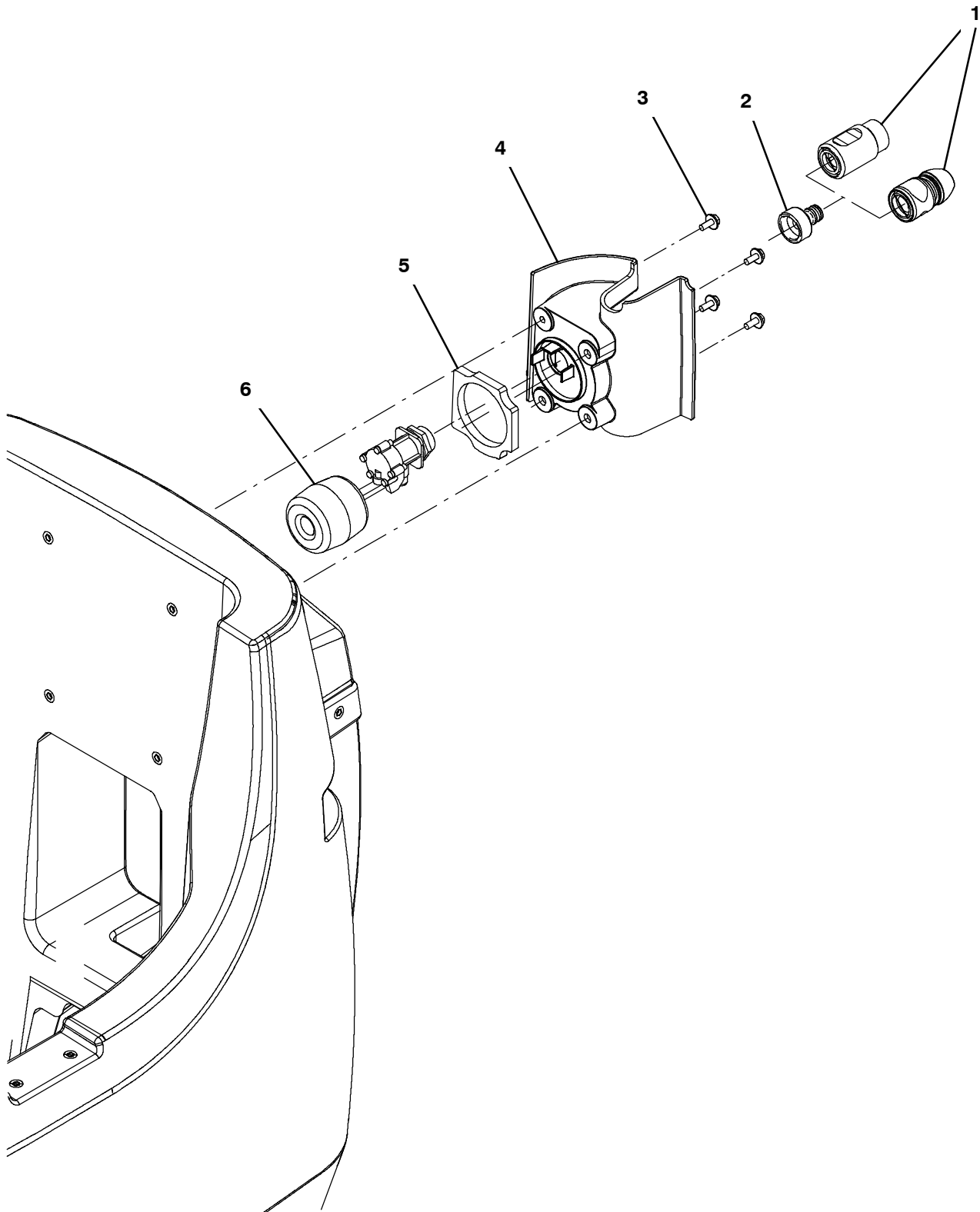
| Ref. | Part No. | Serial Number | Description | Qty. |
|------|------------|-----------------------|--|------|
| ▽ | 9015481 | (10000000- 11058038) | Rinse Kit, Tank, Rec [T500] , Ci (Option - No Longer Available) | 1 |
| ▲ | 1 769785 | (10000000- 11058038) | Nozzle, Spray, Hand | 1 |
| ▲ | 2 1220554 | (10000000- 11058038) | Fitting, Brs, Str, Pf04/Garden Hose | 1 |
| ▲ | 3 160132 | (10000000- 11058038) | Hose Assy, 0.25id X 12ft Coil | 1 |
| ▲ | 4 1220546 | (10000000- 11058038) | Fitting, Brs, Str, Pm08/Pf04 | 1 |
| ▲ | 5 1220131 | (10000000- 11058038) | Fitting, Plstc, E90, 1/2" Npt Male- Femal | 1 |
| ▲ | 6 40678 | (10000000- 11058038) | Clamp, Cable, Stl, 0.44d X 0.62w, 1hole | 1 |
| ▲ | 7 1034731 | (10000000- 11058038) | Screw, Hex, M6 X 1.00 X 16, Sems, Ss | 1 |
| ▲ | 8 1018155 | (10000000- 11058038) | Screw, Pan, Phl, M5 X 0.80 X 16, Tcut,Ss | 2 |
| ▲ | 9 1227293 | (10000000- 11058038) | Bracket, Hanger, Hose | 1 |
| ▲ | 10 1228033 | (10000000- 11058038) | Screw, Hex, M5 X 0.80 X 30, Ss | 4 |
| ▲ | 11 01683 | (10000000- 11058038) | Washer, Flat, 10, Ss | 4 |
| ▲ | 12 1220123 | (10000000- 11058038) | Pump, Soltn, Ele, 24 Vdc, 60 Psi, 4 Gpm | 1 |
| ▲ | 13 1212764 | (10000000- 11058038) | Fitting, Plstc, E90, Qf08/Pm08, Swivel | 1 |
| ▲ | 14 9014145 | (10000000- 11058038) | Hose, Afmkt, Pe, .375id .50od, 05ft | 1 |
| ▲ | 15 1212806 | (10000000- 11058038) | Fitting, Plstc, Tee, Qf08/Qf08/Qm08 | 1 |
| ▲ | 16 09739 | (10000000- 11058038) | Nut, Hex, Lock, M5 X 0.80, NI, Ss | 4 |
| ▲ | 17 1064188 | (10000000- 11058038) | Circuitbreaker, 15.0a, Resetable | 1 |
| ▲ | 18 1064191 | (10000000- 11058038) | Boot, Circuitbreaker | 1 |
| ▲ | 19 1044393 | (10000000- 11058038) | Switch, Rocker, Spst, Mom | 1 |

▽ ASSEMBLY

▲ INCLUDED IN ASSEMBLY

SOLUTION TANK AUTO-FILL KIT

355455



SOLUTION TANK AUTO-FILL KIT

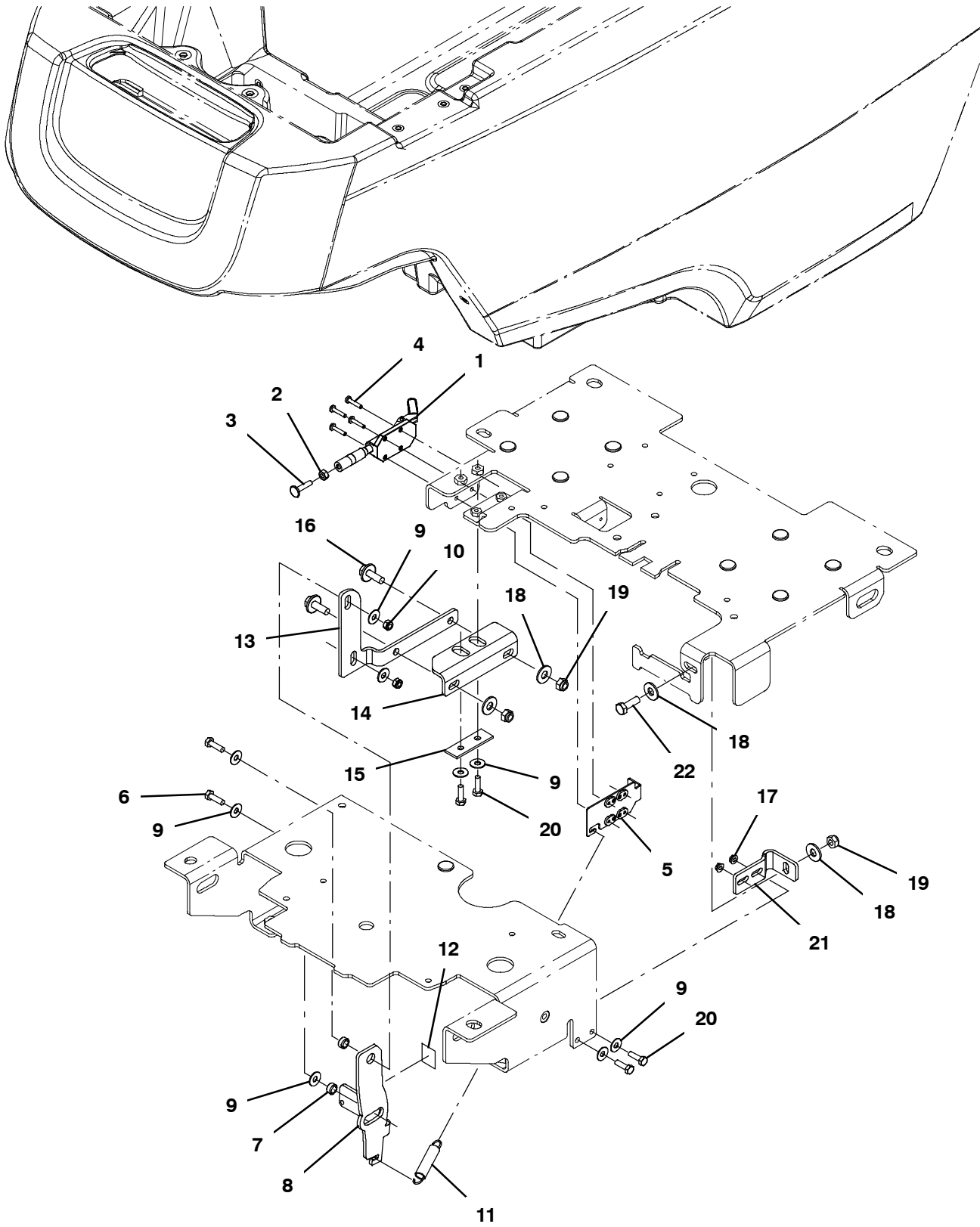
| Ref. | Part No. | Serial Number | Description | Qty. |
|-------------|-----------------|-----------------------|---|-------------|
| ▽ | 9015482 | (10000000- 11058038) | Fill Kit, Auto, Ci (Option - No Longer Available) | 1 |
| ▲ 1 | 1227512 | (10000000- 11058038) | Fitting, Plstc, Qd, Female | 1 |
| ▲ 1 | 1235103 | (10000000- 11058038) | Fitting, Plstc, Qd, Female (Australia) | 1 |
| ▲ 2 | 1227400 | (10000000- 11058038) | Fitting, Plstc, Qd, Male | 1 |
| ▲ 3 | 1034731 | (10000000- 11058038) | Screw, Hex, M6 X 1.00 X 16, Sems, Ss | 4 |
| ▲ 4 | 1225411 | (10000000- 11058038) | Cover, Auto Fill[T500] | 1 |
| ▲ 5 | 1220263 | (10000000- 11058038) | Seal, Bulk Head, Water | 1 |
| ▲ 6 | 1219566 | (10000000- 11058038) | Valve, Float, 6.7gpm | 1 |

▽ ASSEMBLY

▲ INCLUDED IN ASSEMBLY

PARKING BRAKE GROUP (S/N 11064202 -)

355940

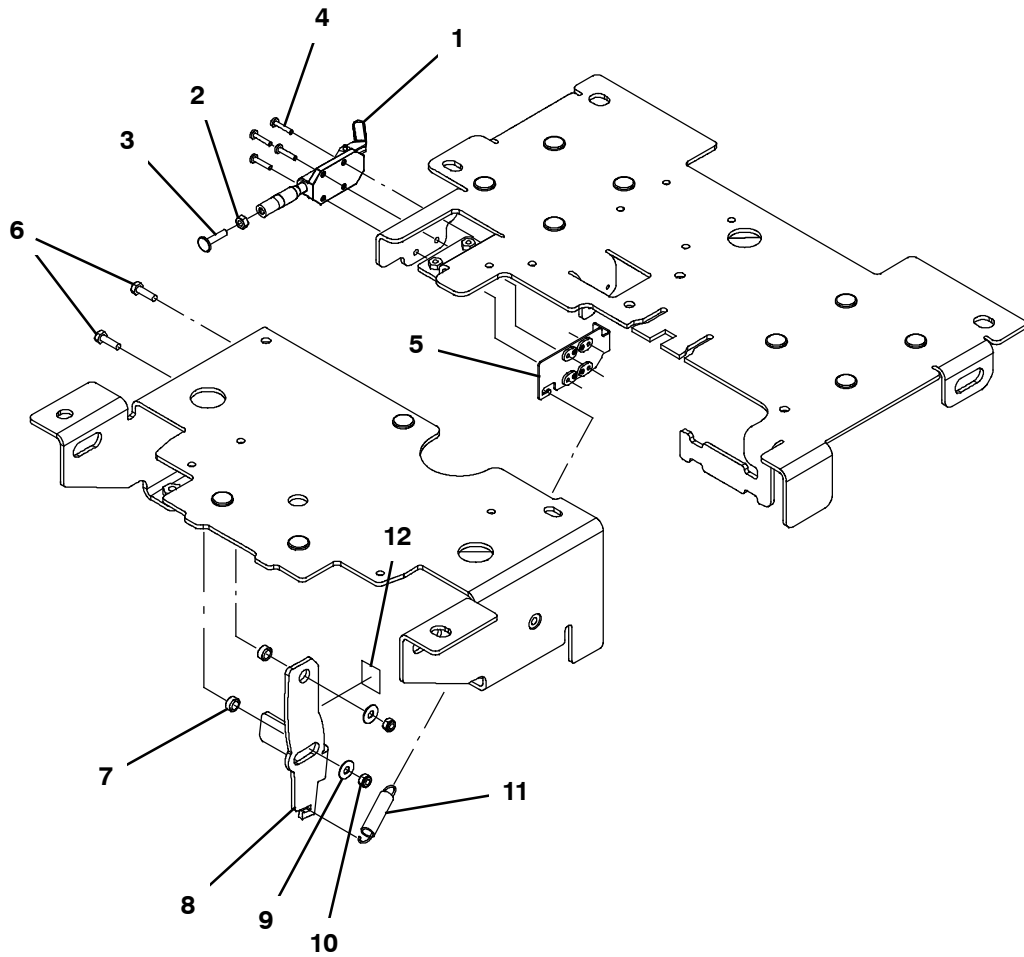
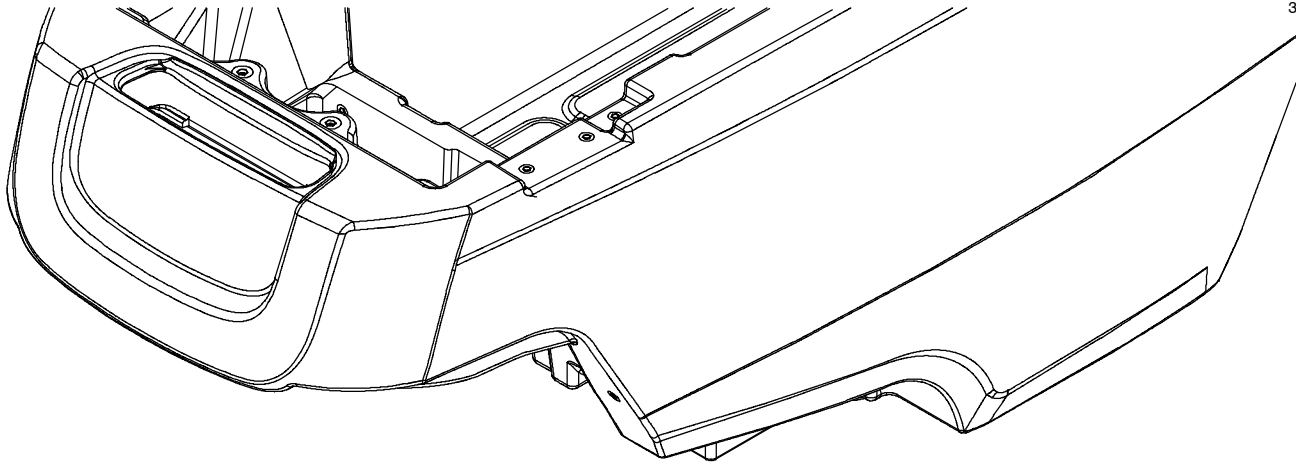


PARKING BRAKE GROUP (S/N 11064202 -)

| Ref. | Part No. | Serial Number | Description | Qty. |
|------|----------|-----------------------|---|------|
| 1 | 1221694 | (10000000- 20000000) | Clamp, Brake, Parking [T500] | 1 |
| 2 | 07785 | (10000000- 20000000) | Nut, Hex, Std, M6 X 1.00, Ss | 1 |
| 3 | 1017416 | (10000000- 20000000) | Screw, Weld, M6 X 1.00 X 25, Thru, Ss | 1 |
| 4 | 12323 | (10000000- 20000000) | Screw, Pan, Phl, M4 X 0.70 X 20, Ss | 4 |
| 5 | 1221695 | (10000000- 20000000) | Plate Wldt, Brake [T500] | 1 |
| 6 | 1040803 | (11064202- 20000000) | Screw, Hex, M6 X 1.00 X 30mm, Ss | 2 |
| 7 | 360801 | (10000000- 20000000) | Sleeve, 0.32b 0.50d 0.3l, 2cham, Ss | 2 |
| 8 | 1256643 | (11064202- 20000000) | Shoe, Brake, Parking | 1 |
| 9 | 01684 | (11064202- 20000000) | Washer, Flat, 0.27b 0.69d .05, Ss | 9 |
| 10 | 08712 | (10000000- 20000000) | Nut, Hex, Lock, M6 X 1.00, NI, Ss | 2 |
| 11 | 75575 | (10000000- 20000000) | Spring, Extn, 0.50od 0.06wir 02.5l | 1 |
| 12 | 1224990 | (10000000- 20000000) | Label, Opertnl, Parking Brake | 1 |
| 13 | 1259657 | (11064202- 20000000) | Bracket, Spanning Vert [T500] | 1 |
| 14 | 1259658 | (11064202- 20000000) | Bracket, Spanning Angle [T500] | 1 |
| 15 | 1260051 | (11064202- 20000000) | Plate, Bracket, Spanning | 1 |
| 16 | 1072628 | (11064202- 20000000) | Screw, Hex, M8 X 1.25 X 25, Ss, Sems | 2 |
| 17 | 1040381 | (11064202- 20000000) | Nut, Hex, Flng, M6 X 1.0, Ss [Serrated] | 2 |
| 18 | 01685 | (11064202- 20000000) | Washer, Flat, 0.38b 0.88d .08, Ss | 4 |
| 19 | 08713 | (11064202- 20000000) | Nut, Hex, Lock, M8 X 1.25, NI, Ss | 3 |
| 20 | 08716 | (11064202- 20000000) | Screw, Hex, M6 X 1.00 X 20, Ss | 4 |
| 21 | 1256017 | (11064202- 20000000) | Bracket, Spanning [T500] | 1 |
| 22 | 09010 | (11064202- 20000000) | Screw, Hex, M8 X 1.25 X 25, Ss | 1 |

PARKING BRAKE GROUP (S/N 1000000 - 11064201)

355420

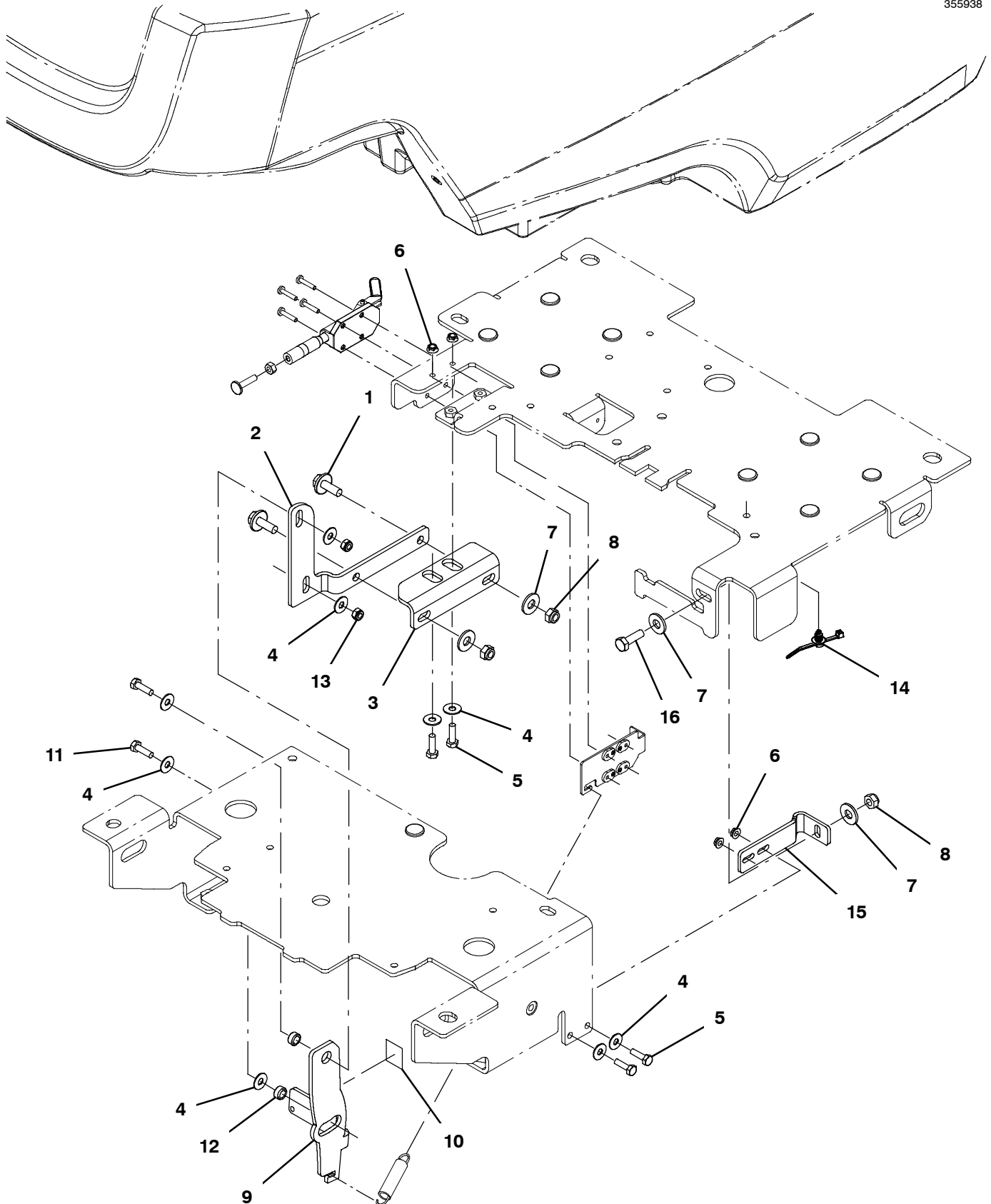


PARKING BRAKE GROUP (S/N 10000000 - 11064201)

| Ref. | Part No. | Serial Number | Description | Qty. |
|-------------|-----------------|-----------------------|---------------------------------------|-------------|
| 1 | 1221694 | (10000000- 20000000) | Clamp, Brake, Parking [T500] | 1 |
| 2 | 07785 | (10000000- 20000000) | Nut, Hex, Std, M6 X 1.00, Ss | 1 |
| 3 | 1017416 | (10000000- 20000000) | Screw, Weld, M6 X 1.00 X 25, Thru, Ss | 1 |
| 4 | 12323 | (10000000- 20000000) | Screw, Pan, Phl, M4 X 0.70 X 20, Ss | 4 |
| 5 | 1221695 | (10000000- 20000000) | Plate Wldt, Brake [T500] | 1 |
| 6 | 08716 | (10000000- 11064201) | Screw, Hex, M6 X 1.00 X 20, Ss | 2 |
| 7 | 360801 | (10000000- 20000000) | Sleeve, 0.32b 0.50d 0.3l, 2cham, Ss | 2 |
| 8 | 1221423 | (10000000- 11064201) | Shoe, Brake, Parking | 1 |
| 9 | 01684 | (10000000- 11064201) | Washer, Flat, 0.27b 0.69d .05, Ss | 2 |
| 10 | 08712 | (10000000- 20000000) | Nut, Hex, Lock, M6 X 1.00, NI, Ss | 2 |
| 11 | 75575 | (10000000- 20000000) | Spring, Extn, 0.50od 0.06wir 02.5l | 1 |
| 12 | 1224990 | (10000000- 20000000) | Label, Opertnl, Parking Brake | 1 |

BRACKET KIT, SOLUTION TANK SUPPORT (S/N 1000000 - 11064201)

355938



BRACKET KIT, SOLUTION TANK SUPPORT (S/N 1000000 - 11064201)

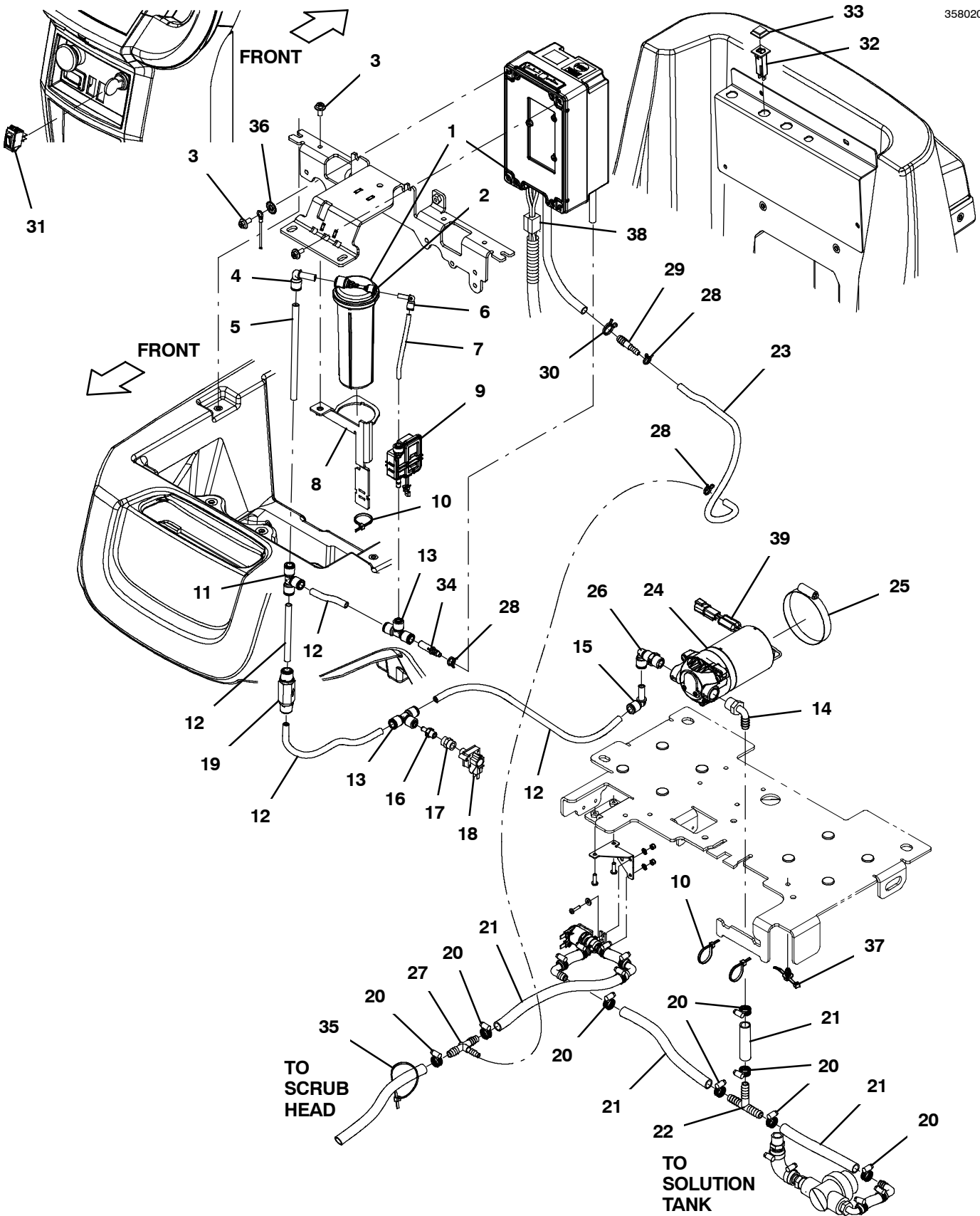
| Ref. | Part No. | Serial Number | Description | Qty. |
|------|------------|-----------------------|--|------|
| ▽ | 9021792 | (10000000- 11064201) | Solution Tank Support Kit Afmkt [T500/E] | 1 |
| ▲ | 1 1072628 | (10000000- 11064201) | Screw, Hex, M8 X 1.25 X 25, Ss, Sems | 2 |
| ▲ | 2 1255979 | (10000000- 11064201) | Bracket, Spanning [T500] | 1 |
| ▲ | 3 1255978 | (10000000- 11064201) | Bracket, Spanning [T500] | 1 |
| ▲ | 4 01684 | (10000000- 11064201) | Washer, Flat, 0.27b 0.69d .05, Ss | 9 |
| ▲ | 5 08716 | (10000000- 11064201) | Screw, Hex, M6 X 1.00 X 20, Ss | 2 |
| ▲ | 6 1040381 | (10000000- 11064201) | Nut, Hex, Flng, M6 X 1.0, Ss [Serrated] | 4 |
| ▲ | 7 01685 | (10000000- 11064201) | Washer, Flat, 0.38b 0.88d .08, Ss | 4 |
| ▲ | 8 08713 | (10000000- 11064201) | Nut, Hex, Lock, M8 X 1.25, NI, Ss | 3 |
| ▲ | 9 1256643 | (10000000- 11064201) | Shoe, Brake, Parking | 1 |
| ▲ | 10 1224990 | (10000000- 11064201) | Label, Opertnl, Parking Brake | 1 |
| ▲ | 11 1040803 | (10000000- 11064201) | Screw, Hex, M6 X 1.00 X 30mm, Ss | 2 |
| | 12 360801 | (10000000- 20000000) | Sleeve, 0.32b 0.50d 0.3l, 2cham, Ss (Existing Part - Not Included In Upgrade Kit 9021792) | 2 |
| ▲ | 13 08712 | (10000000- 11064201) | Nut, Hex, Lock, M6 X 1.00, NI, Ss | 2 |
| ▲ | 14 1210807 | (10000000- 11064201) | Wire, Tie [W/.25" Fir Tree Clip] | 1 |
| ▲ | 15 1256017 | (10000000- 11064201) | Bracket, Spanning [T500] | 1 |
| ▲ | 15 1259835 | (10000000- 11064201) | Bracket, Spanning Old Frames [T500] | 1 |
| ▲ | 16 09010 | (10000000- 11064201) | Screw, Hex, M8 X 1.25 X 25, Ss | 1 |

▽ ASSEMBLY

▲ INCLUDED IN ASSEMBLY478*9/

ec-H2O SOLUTION GROUP (BARB CONNECTOR STYLE)
(S/N 11089942 -)

358020



ec-H2O SOLUTION GROUP (BARB CONNECTOR STYLE)
(S/N 11089942 -)

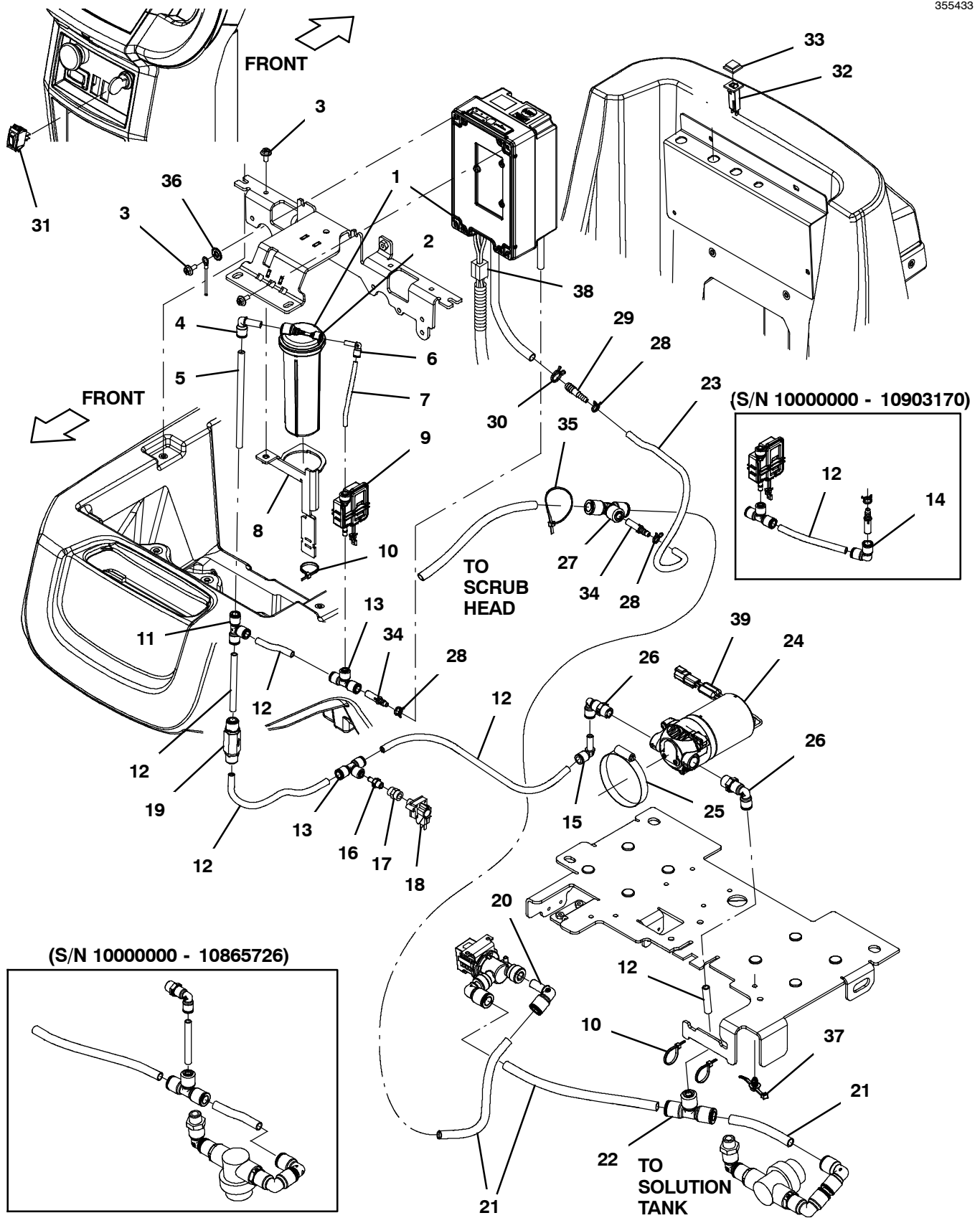
| Ref. | Part No. | Serial Number | Description | Qty. |
|------|----------|---------------|--|------|
| ▽ | 1 | 9021553 | (SEP2022- 20000000) Module Kit, Replmt [Ec- H2o, B 02] (Canada Also Requires Ferrite) | 1 |
| ▲ | 2 | 9013646 | (10000000- 20000000) Cartridge, Ec- H2o Nanoclean Wcm, 270ml | 1 |
| | 3 | 1034731 | (10000000- 20000000) Screw, Hex, M6 X 1.00 X 16, Sems, Ss | 3 |
| | 4 | 1215186 | (10000000- 20000000) Fitting, Plstc, E90, Qf06/Qm06 | 1 |
| | 5 | 9014146 | (10000000- 20000000) Hose, Afmkt, Pvc, 0.06id .38od, 05ft | 1 |
| | 6 | 1214339 | (10000000- 20000000) Fitting, Plstc, E90, Qfo4/Qm04 | 1 |
| | 7 | 9014147 | (10000000- 20000000) Hose, Afmkt, Pvc, 0.06id .25od, 05ft | 1 |
| | 8 | 1221926 | (10000000- 20000000) Bracket Wldt, Mtg, Ec- H20 [T500] | 1 |
| | 9 | 1216973 | (10000000- 20000000) Pump Assy, Dispenser | 1 |
| | 10 | 130773 | (10000000- 20000000) Tie, Cable, Nyl, 11.0l, .14w, 3.0 Max. D | 3 |
| | 11 | 1212573 | (10000000- 20000000) Fitting, Plstc, Tee, Qf06/Qf06/Qf06 | 1 |
| | 12 | 9014148 | (10000000- 20000000) Hose, Afmkt, Nat, 0.25id 0.375od, 06ft | 1 |
| | 13 | 1212855 | (10000000- 20000000) Fitting, Plstc, Tee, Qf04/Qf06/Qf06 | 2 |
| | 14 | 1005630 | (11089942- 20000000) Fitting, Plstc, E90, Bm06/Pm06, Nyl | 1 |
| | 15 | 1215186 | (10000000- 20000000) Fitting, Plstc, E90, Qf06/Qm06 | 1 |
| | 16 | 1216185 | (10000000- 20000000) Fitting, Plstc, Str, Qm04/Pm02 | 1 |
| | 17 | 150307 | (10000000- 20000000) Fitting, Brs, Cplg, Pf02/Pf02 | 1 |
| | 18 | 1044414 | (10000000- 20000000) Switch, Press, 15psi, Pm02 | 1 |
| | 19 | 1215527 | (10000000- 20000000) Valve, Check, 1.0 Psi Qf06/Qf06 | 1 |
| | 20 | 43844 | (11089942- 20000000) Clamp, Hose, Wormdrive, 0.25- 0.62d, .31w | 7 |
| | 21 | 1006416 | (11089942- 20000000) Hose, Afmkt, Pvc, Clr, 0.38id, 03ft | 1 |
| | 22 | 1247259 | (11089942- 20000000) Fitting, Plstc, Tee, Bm06/Bm06/Bm06, Pyp | 1 |
| | 23 | 1014985 | (10000000- 20000000) Hose, Afmkt, Pvc, Clr, 0.25id, 08ft | 1 |
| | 24 | 1210517 | (10000000- 20000000) Pump, Soltn, Ele, 24vdc, 35 Psi (Canada Requires Ferrite - Qty 2) | 1 |
| | 25 | 43555 | (10000000- 20000000) Clamp, Hose, Wormdrive, 2.62- 3.50d | 1 |
| | 26 | 1212812 | (11089942- 20000000) Fitting, Plstc, E90, Qf06/Pm06, Swivel | 1 |
| | 27 | 50895 | (11089942- 20000000) Fitting, Plstc, Tee, Bm04/Bm06/Bm06, Br | 1 |
| | 28 | 613735 | (10000000- 20000000) Clamp, Hose, Wir, .40 - .42, Yel | 3 |
| | 29 | 1039557 | (10000000- 20000000) Fitting, Plstc, Str, Bm04/Bm06 | 1 |
| | 30 | 607775 | (10000000- 20000000) Clamp, Hose, Wir, .63 - .66, Blk | 1 |
| | 31 | 1044393 | (10000000- 20000000) Switch, Rocker, Spst, Mom | 1 |
| | 32 | 1064187 | (10000000- 20000000) Circuitbreaker, 10.0a, Resetable | 1 |
| | 33 | 1064191 | (10000000- 20000000) Boot, Circuitbreaker | 1 |
| | 34 | 1212857 | (10000000- 20000000) Fitting, Plstc, Str, Qm06/Bm04 | 2 |
| | 35 | 130773 | (10000000- 20000000) Tie, Cable, Nyl, 11.0l, .14w, 3.0 Max. D | 1 |
| | 36 | 41140 | (10000000- 20000000) Washer, Lock, Int- Ext, 0.25 | 1 |
| | 37 | 1210807 | (10865727- 20000000) Wire, Tie [W/.25" Fir Tree Clip] | 1 |
| | 38 | 1065665 | (10000000- 20000000) Inductor, 32.3mml [Ferrite 10- 250mhz] (Canada Only) | 1 |
| | 39 | 1227867 | (10000000- 20000000) Inductor, Ferrite [Split Case,407@100hz] (Canada Only) | 2 |

▽ ASSEMBLY

▲ INCLUDED IN ASSEMBLY

ec-H2O SOLUTION GROUP (PUSH QUICK CONNECTOR STYLE)
(S/N 10000000 - 11089941)

355433



**ec-H2O SOLUTION GROUP (PUSH QUICK CONNECTOR STYLE)
(S/N 10000000 - 11089941)**

| Ref. | Part No. | Serial Number | Description | Qty. |
|------|----------|---------------|---|------|
| ▽ | 1 | 9021553 | (SEP2022- 20000000) Module Kit, Replmt [Ec- H2o, B 02] (Canada Also Requires Ferrite) | 1 |
| ▽ | 1 | 9020643 | (10983853- AUG2022) Module Kit, Replmt [Ec- H2o, B 02] (Canada Also Requires Ferrite) (Replaced By 9021553) | 1 |
| ▽ | 1 | 9011810 | (10000000- 10983852) Module Kit, Replmt [Ec- H2o, B 02] (See Breakdowns) (Canada Also Requires Ferrite) (Replaced By 9021553) | 1 |
| ▲ | 2 | 9013646 | (10000000- 20000000) Cartridge, Ec- H2o Nanoclean Wcm, 270ml | 1 |
| | 3 | 1034731 | (10000000- 20000000) Screw, Hex, M6 X 1.00 X 16, Sems, Ss | 3 |
| | 4 | 1215186 | (10000000- 20000000) Fitting, Plstc, E90, Qf06/Qm06 | 1 |
| | 5 | 9014146 | (10000000- 20000000) Hose, Afmkt, Pvc, 0.06id .38od, 05ft | 1 |
| | 6 | 1214339 | (10000000- 20000000) Fitting, Plstc, E90, Qfo4/Qm04 | 1 |
| | 7 | 9014147 | (10000000- 20000000) Hose, Afmkt, Pvc, 0.06id .25od, 05ft | 1 |
| | 8 | 1221926 | (10000000- 20000000) Bracket Wldt, Mtg, Ec- H20 [T500] | 1 |
| | 9 | 1216973 | (10000000- 20000000) Pump Assy, Dispenser | 1 |
| | 10 | 130773 | (10000000- 20000000) Tie, Cable, Nyl, 11.0l, .14w, 3.0 Max. D | 3 |
| | 11 | 1212573 | (10000000- 20000000) Fitting, Plstc, Tee, Qf06/Qf06/Qf06 | 1 |
| | 12 | 9014148 | (10000000- 20000000) Hose, Afmkt, Nat, 0.25id 0.375od, 06ft | 1 |
| | 13 | 1212855 | (10000000- 20000000) Fitting, Plstc, Tee, Qf04/Qf06/Qf06 | 2 |
| | 14 | 1212856 | (10000000- 10903170) Fitting, Plstc, E90, Qf06/Qf06 | 1 |
| | 15 | 1215186 | (10000000- 20000000) Fitting, Plstc, E90, Qf06/Qm06 | 1 |
| | 16 | 1216185 | (10000000- 20000000) Fitting, Plstc, Str, Qm04/Pm02 | 1 |
| | 17 | 150307 | (10000000- 20000000) Fitting, Brs, Cplg, Pf02/Pf02 | 1 |
| | 18 | 1044414 | (10000000- 20000000) Switch, Press, 15psi, Pm02 | 1 |
| | 19 | 1215527 | (10000000- 20000000) Valve, Check, 1.0 Psi Qf06/Qf06 | 1 |
| | 20 | 1212809 | (10000000- 11089941) Fitting, Plstc, E90, Qf08/Qm08 | 1 |
| | 21 | 9014145 | (10000000- 11089941) Hose, Afmkt, Pe, .375id .50od, 05ft | 1 |
| | 22 | 1212875 | (10000000- 11089941) Fitting, Plstc, Tee, Qf06/Qf08/Qf08 | 1 |
| | 23 | 1014985 | (10000000- 20000000) Hose, Afmkt, Pvc, Clr, 0.25id, 08ft | 1 |
| | 24 | 1210517 | (10000000- 20000000) Pump, Soltn, Ele, 24vdc, 35 Psi (Canada Also Requires Ferrite - Qty 2) | 1 |
| | 25 | 43555 | (10000000- 20000000) Clamp, Hose, Wormdrive, 2.62- 3.50d | 1 |
| | 26 | 1212812 | (10000000- 11089941) Fitting, Plstc, E90, Qf06/Pm06, Swivel | 2 |
| | 27 | 1212875 | (10000000- 11089941) Fitting, Plstc, Tee, Qf06/Qf08/Qf08 | 1 |
| | 28 | 613735 | (10000000- 20000000) Clamp, Hose, Wir, .40 - .42, Yel | 3 |
| | 29 | 1039557 | (10000000- 20000000) Fitting, Plstc, Str, Bm04/Bm06 | 1 |
| | 30 | 607775 | (10000000- 20000000) Clamp, Hose, Wir, .63 - .66, Blk | 1 |
| | 31 | 1044393 | (10000000- 20000000) Switch, Rocker, Spst, Mom | 1 |
| | 32 | 1064187 | (10000000- 20000000) Circuitbreaker, 10.0a, Resetable | 1 |
| | 33 | 1064191 | (10000000- 20000000) Boot, Circuitbreaker | 1 |
| | 34 | 1212857 | (10000000- 20000000) Fitting, Plstc, Str, Qm06/Bm04 | 2 |
| | 35 | 130773 | (10000000- 20000000) Tie, Cable, Nyl, 11.0l, .14w, 3.0 Max. D | 1 |
| | 36 | 41140 | (10000000- 20000000) Washer, Lock, Int- Ext, 0.25 | 1 |
| | 37 | 1210807 | (10865727- 20000000) Wire, Tie [W/.25" Fir Tree Clip] | 1 |
| | 38 | 1065665 | (10000000- 20000000) Inductor, 32.3mml [Ferrite 10- 250mhz] (Canada Only) | 1 |
| | 39 | 1227867 | (10000000- 20000000) Inductor, Ferrite [Split Case,407@100hz] (Canada Only) | 2 |

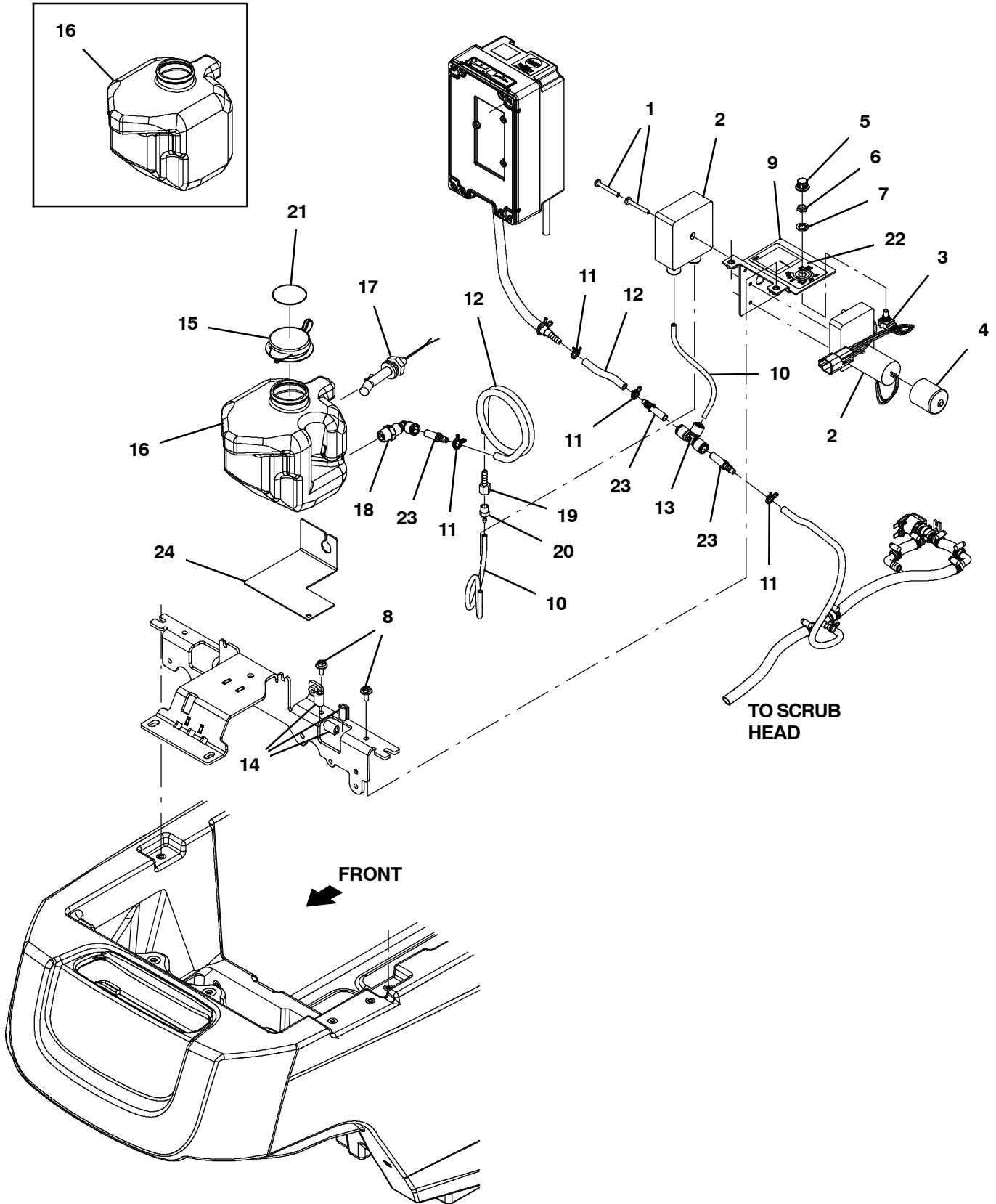
▽ ASSEMBLY

▲ INCLUDED IN ASSEMBLY

SEVERE ENVIRONMENT SOLUTION GROUP

358022

(S/N 1000000 - xxxxxxxx)



SEVERE ENVIRONMENT SOLUTION GROUP

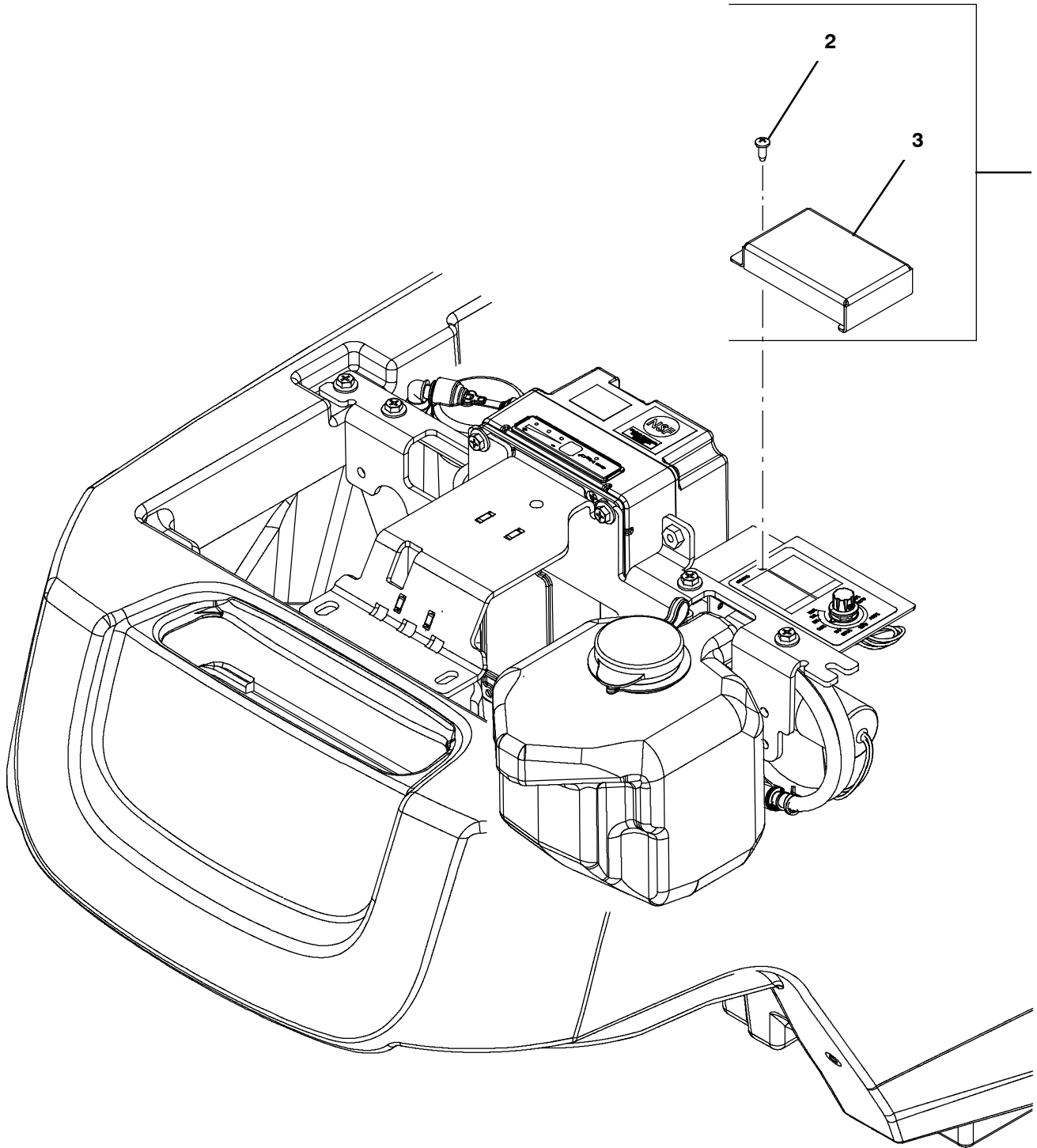
| Ref. | Part No. | Serial Number | Description | Qty. |
|------|----------|---------------|--|------|
| | 1 | 17185 | (10000000- 20000000) Screw, Pan, Phl, M5 X 0.80 X 40, Ss | 2 |
| ▽ | 2 | 1215698 | (10000000- 20000000) Pump Assy, Detgt, 24 Vdc [T300] | 1 |
| ▲ | | 1208721 | (10000000- 20000000) Pump, Detgt, 24vdc, 120rpm | 1 |
| ▲ | | 1219077 | (10000000- 20000000) Hose Kit, Detgt [0.5cc] | 1 |
| ▲ | 3 | 1211775 | (10000000- 20000000) Potentiometer [5k, W/Leads And Conn.] | 1 |
| | 4 | 605064 | (10000000- 20000000) Cap, Vinyl, 1.38 D 1.6l | 1 |
| | 5 | 630265 | (10000000- 20000000) Knob, Rnd, 0.75d 0.50l 0.25b, Plstc | 1 |
| | 6 | 222607 | (10000000- 20000000) Nut, Hex, Thin, .38- 32 | 1 |
| | 7 | 43953 | (10000000- 20000000) Washer, Lock, Int, 0.38, Ss | 1 |
| | 8 | 1034731 | (10000000- 20000000) Screw, Hex, M6 X 1.00 X 16, Sems, Ss | 2 |
| | 9 | 1221487 | (10000000- 20000000) Bracket Wldt, Pump, Detgt [T500] | 1 |
| | 10 | 613461 | (10000000- 20000000) Hose, Pvc, Clr, 0.12id 0.25od 048.0l | 1 |
| | 11 | 613735 | (10000000- 20000000) Clamp, Hose, Wir, .40 - .42, Yel | 4 |
| | 12 | 1006415 | (10000000- 20000000) Hose, Afmkt, Pvc, Clr, 0.25id, 03ft | 1 |
| | 13 | 1212855 | (10000000- 20000000) Fitting, Plstc, Tee, Qf04/Qf06/Qf06 | 1 |
| | 14 | 1020168 | (10000000- 20000000) Molding, Afmkt, Trim, Pvc, .08 .11, 01ft | 1 |
| | 15 | 1057372 | (10000000- 20000000) Cap, Snap, 2.17d (Black) | 1 |
| | 16 | 1252606 | (xxxxxxx- 20000000) Tank, 2.3l, Trimmed, Se | 1 |
| | 16 | 1217453 | (10000000- xxxxxxxx) Tank [2.5 Liter] (Replaced By 1252606) | 1 |
| | 17 | 1212430 | (10000000- 20000000) Sensor, Level, Liq, 30watt, Spst | 1 |
| | 18 | 1212812 | (10000000- 20000000) Fitting, Plstc, E90, Qf06/Pm06, Swivel | 1 |
| | 19 | 150520 | (10000000- 20000000) Fitting, Brs, Str, Bm04/Pf02 | 1 |
| | 20 | 150524 | (10000000- 20000000) Fitting, Brs, Str, Bm02/Pm02 | 1 |
| | 21 | 1224989 | (10000000- 20000000) Label, Detergent Metering Tank | 1 |
| | 22 | 1210440 | (10000000- 20000000) Label, Opertnl, Detergent Metering | 1 |
| | 23 | 1212857 | (10000000- 20000000) Fitting, Plstc, Str, Qm06/Bm04 | 3 |
| | 24 | 1243106 | (10000000- 20000000) Plate, Shield, Switch | 1 |

▽ ASSEMBLY

▲ INCLUDED IN ASSEMBLY

SEVERE ENVIRONMENT LOCKOUT KIT

355715



| | Ref. | Part No. | Serial Number | Description | Qty. |
|---|------|----------|----------------------|---|------|
| ▽ | 1 | 9017884 | (10000000-20000000) | Lockout Kit, Severe Environment | 1 |
| ▲ | 2 | 140350 | (10000000-20000000) | Screw, Pan, Phl, 10- 16 X 0.50, Ss[Typ25] | 1 |
| ▲ | 3 | 1239732 | (10000000-20000000) | Cover, Knob, Severe Environment | 1 |

▽ ASSEMBLY

▲ INCLUDED IN ASSEMBLY

DOCUMENTATION GROUP (ONLINE ONLY)

| Ref. | Part No. | Serial Number | Description | Qty. |
|------|----------|-----------------------|-----------------------------------|------|
| | 9015222 | (10000000- 20000000) | Manual, Parts [T500, Na] | 1 |
| | 9015223 | (10000000- 20000000) | Manual, Oprtr [T500, En, Na/Intl] | 1 |
| | 9015500 | (10000000- 20000000) | Manual, Oprtr [T500, Es, Na] | 1 |
| | 9015501 | (10000000- 20000000) | Manual, Oprtr [T500, Fr, Na] | 1 |
| | 9015502 | (10000000- 20000000) | Manual, Oprtr [T500, Ptbr] | 1 |
| | 9015503 | (10000000- 20000000) | Instr, Wall Chart [T500, Na] | 1 |
| | 9015504 | (10000000- 20000000) | Manual, Service [T500, En] | 1 |

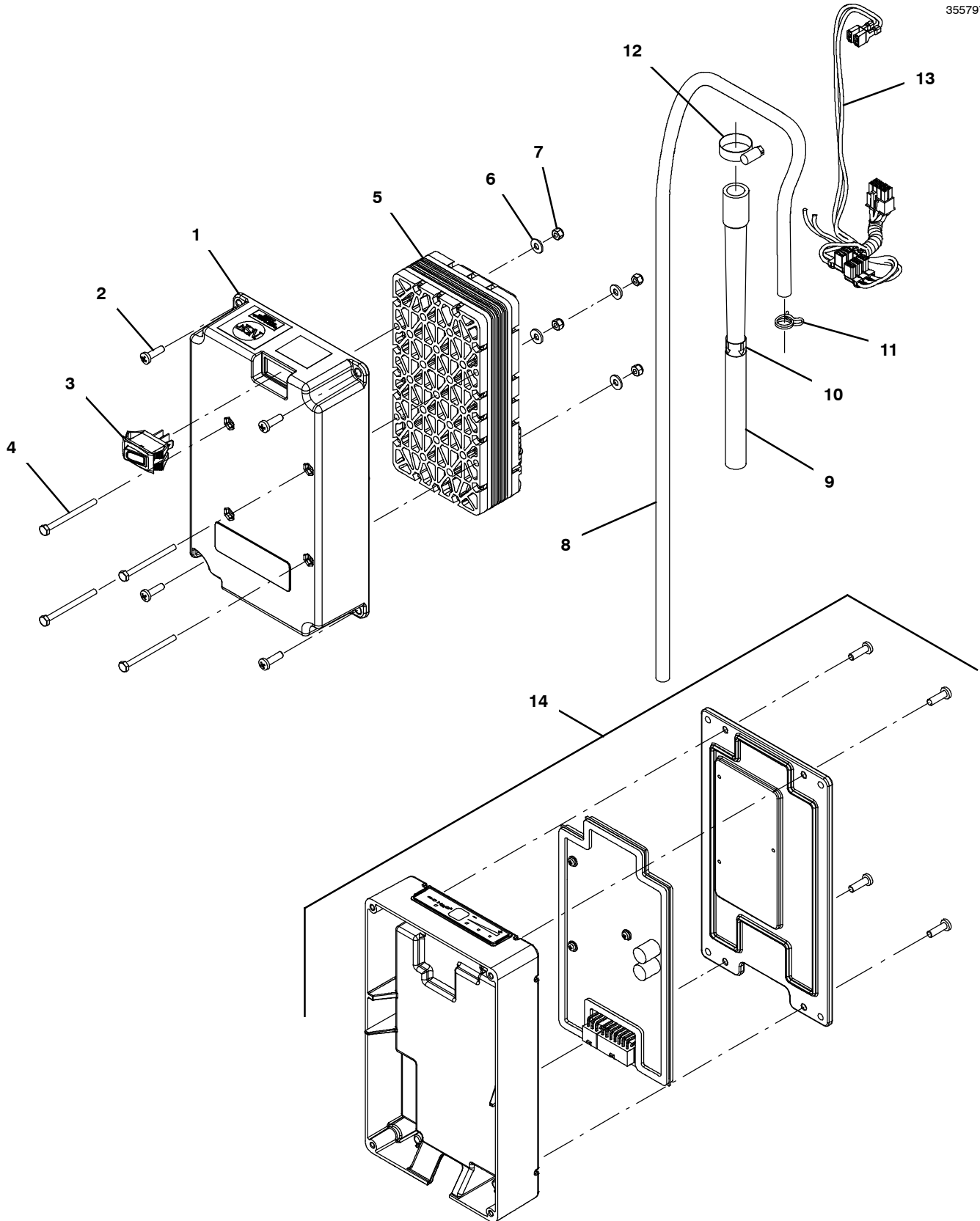


To view, print, order, download the latest Parts manual, other language Operator manuals, and Use and Care Guides (wall charts), visit:

www.tennantco.com/manual

ec- H2O NANOCLEAN MODULE BREAKDOWN 9020643, 9021553
(S/N 10983853 -)

355797



**ec- H2O NANOCLEAN MODULE BREAKDOWN 9020643, 9021553
(S/N 10983853 -)**

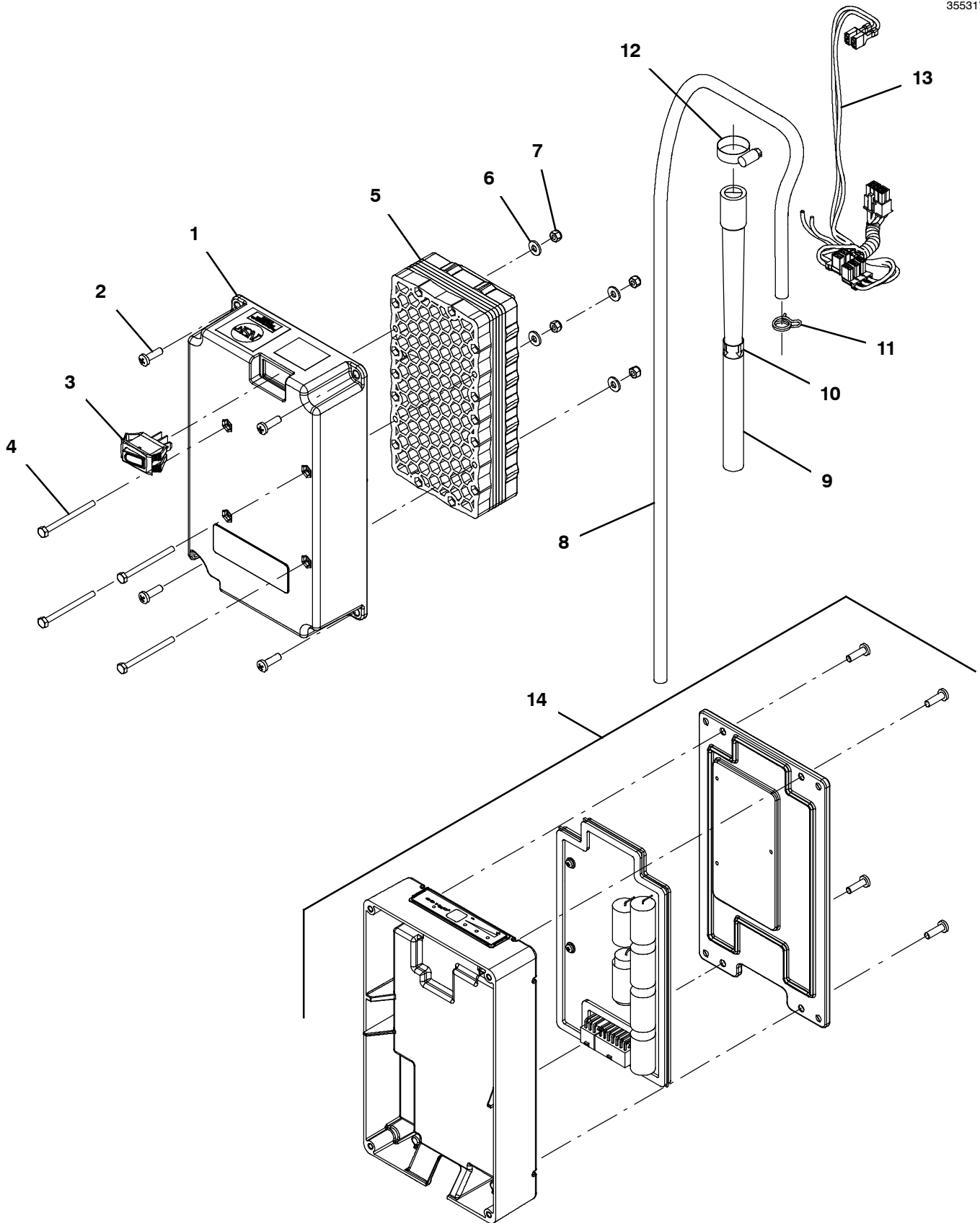
| Ref. | Part No. | Serial Number | Description | Qty. |
|------|------------|-----------------------|--|------|
| ▽ | 9021553 | (SEP2022- 20000000) | Module Kit, Replmt [Ec- H2o, B 02] (Includes ec- H2O NanoClean Cartridge) | 1 |
| ▽ | 9020643 | (10983853- AUG2022) | Module Kit, Replmt [Ec- H2o, B 02] (Replaced By 9021553) (Includes ec- H2O NanoClean Cartridge) | 1 |
| ▲▽ | 9014126 | (10000000- 20000000) | Ec- H2o Nc Kit [Module B, Plumbing] | 1 |
| ▲▲ | 1 1208823 | (10000000- 20000000) | Housing, Module, Upper, Ec- H2o | 1 |
| ▲▲ | 2 1015506 | (10000000- 20000000) | Screw, Pan, Phl, M5 X 16, Tcut [Plastic] | 4 |
| ▲▲ | 3 1044393 | (10000000- 20000000) | Switch, Rocker, Spst, Mom | 1 |
| ▲▲ | 4 32509 | (10000000- 20000000) | Screw, Hex, M4 X 0.70 X 50, Ss | 4 |
| ▲▲ | 5 1233516 | (10983853- 20000000) | Electrode, 5 Plate [De Nora Tech] | 1 |
| ▲▲ | 6 41579 | (10000000- 20000000) | Washer, Flat, 08, Ss | 4 |
| ▲▲ | 7 33932 | (10000000- 20000000) | Nut, Hex, Lock, M4 X 0.70, NI, Ss | 4 |
| ▲▲ | 8 1006415 | (10000000- 20000000) | Hose, Afrmkt, Pvc, Clr, 0.25id, 03ft | 1 |
| ▲▲ | 9 1208526 | (10000000- 20000000) | Hose, Molded, Bm08/Bm06 | 1 |
| ▲▲ | 10 1049637 | (10000000- 20000000) | Label, Direction [Ec- H2o] | 1 |
| ▲▲ | 11 613735 | (10000000- 20000000) | Clamp, Hose, Wir, .40 - .42, Yel | 1 |
| ▲▲ | 12 54333 | (10000000- 20000000) | Clamp, Hose, Wormdrive, 0.31- 0.88d, .31w | 1 |
| ▲▲ | 13 1073286 | (10000000- 20000000) | Harness, Ele, Module B2 [Ec- H2o] | 1 |
| ▲ | 14 9020642 | (10983853- 20000000) | Controller Kit, Replmt [Ec- H2o Nc] (Includes ec- H2O NanoClean Cartridge) | 1 |

▽ ASSEMBLY

▲ INCLUDED IN ASSEMBLY

ec- H2O NANOCLEAN MODULE BREAKDOWN 9011810
(S/N 10000000 - 10983852)

355317



**ec- H2O NANOCLEAN MODULE BREAKDOWN 9011810
(S/N 10000000 - 10983852)**

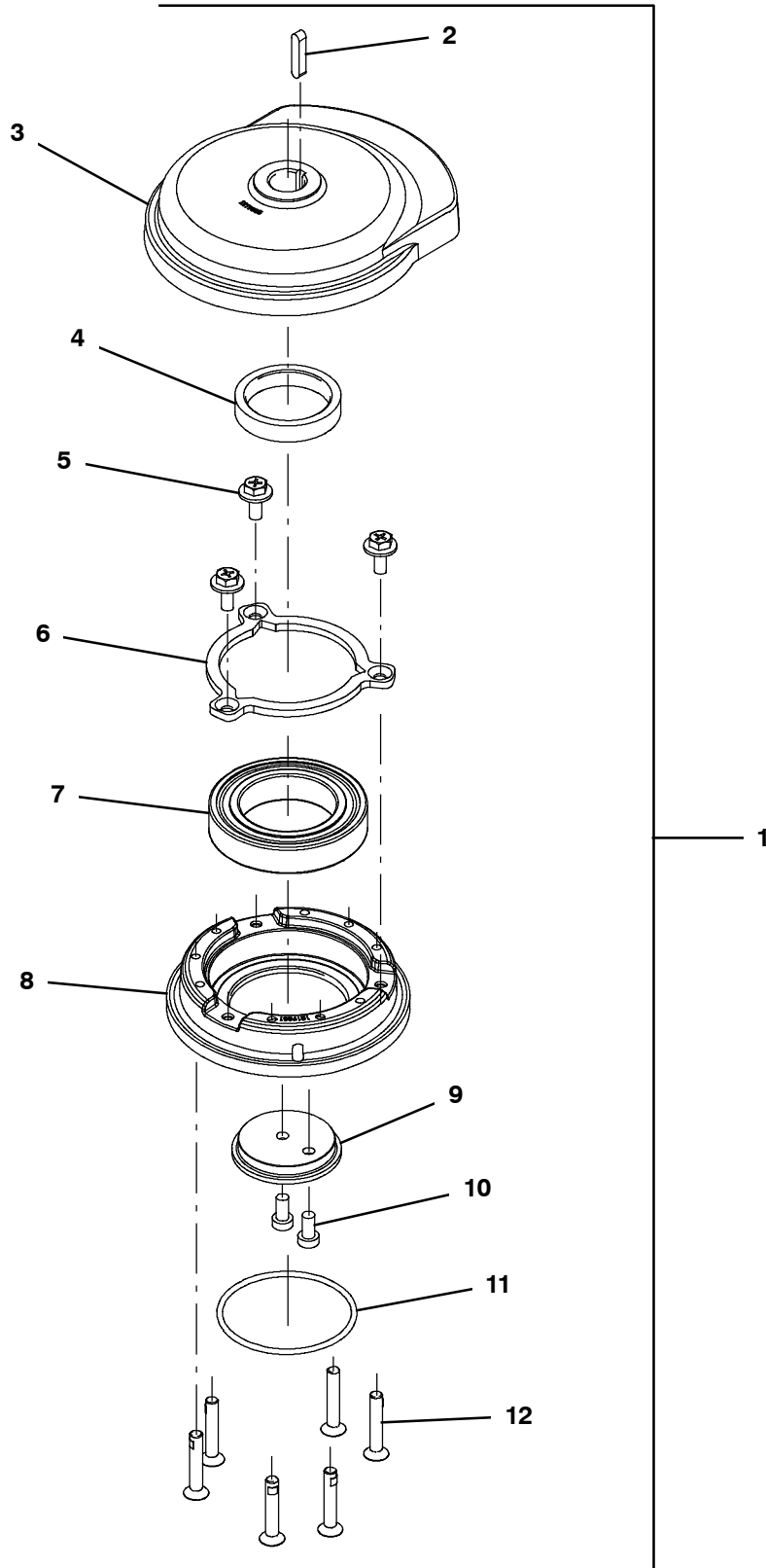
| | Ref. | Part No. | Serial Number | Description | Qty. |
|----|-------------|-----------------|-----------------------|--|-------------|
| ▽ | | 9011810 | (10000000- 10983852) | Module Kit, Replmt [Ec- H2o, B 02] (Includes ec- H2O NanoClean Cartridge) (Replaced By 9021553) | 1 |
| ▲▽ | | 9014126 | (10000000- 20000000) | Ec- H2o Nc Kit [Module B, Plumbing] | 1 |
| ▲▲ | 1 | 1208823 | (10000000- 20000000) | Housing, Module, Upper, Ec- H2o | 1 |
| ▲▲ | 2 | 1015506 | (10000000- 20000000) | Screw, Pan, Phl, M5 X 16, Tcut [Plastic] | 4 |
| ▲▲ | 3 | 1044393 | (10000000- 20000000) | Switch, Rocker, Spst, Mom | 1 |
| ▲▲ | 4 | 32509 | (10000000- 20000000) | Screw, Hex, M4 X 0.70 X 50, Ss | 4 |
| ▲▲ | 5 | 1208164 | (10000000- 10983852) | Electrode, 5 Plate, High Flow (Replaced By 1233516) | 1 |
| ▲▲ | 6 | 41579 | (10000000- 20000000) | Washer, Flat, 08, Ss | 4 |
| ▲▲ | 7 | 33932 | (10000000- 20000000) | Nut, Hex, Lock, M4 X 0.70, NI, Ss | 4 |
| ▲▲ | 8 | 1006415 | (10000000- 20000000) | Hose, Afrmkt, Pvc, Clr, 0.25id, 03ft | 1 |
| ▲▲ | 9 | 1208526 | (10000000- 20000000) | Hose, Molded, Bm08/Bm06 | 1 |
| ▲▲ | 10 | 1049637 | (10000000- 20000000) | Label, Direction [Ec- H2o] | 1 |
| ▲▲ | 11 | 613735 | (10000000- 20000000) | Clamp, Hose, Wir, .40 - .42, Yel | 1 |
| ▲▲ | 12 | 54333 | (10000000- 20000000) | Clamp, Hose, Wormdrive, 0.31- 0.88d, .31w | 1 |
| ▲▲ | 13 | 1073286 | (10000000- 20000000) | Harness, Ele, Module B2 [Ec- H2o] | 1 |
| ▲ | 14 | 9014127 | (10000000- 10983852) | Controller Kit, Replmt [Ec- H2o Nc] (Includes ec- H2O NanoClean Cartridge) (Replaced By 9020642) | 1 |

▽ ASSEMBLY

▲ INCLUDED IN ASSEMBLY

ORBITAL HEAD ECCENTRIC DRIVE BREAKDOWN

355477



ORBITAL HEAD ECCENTRIC DRIVE BREAKDOWN

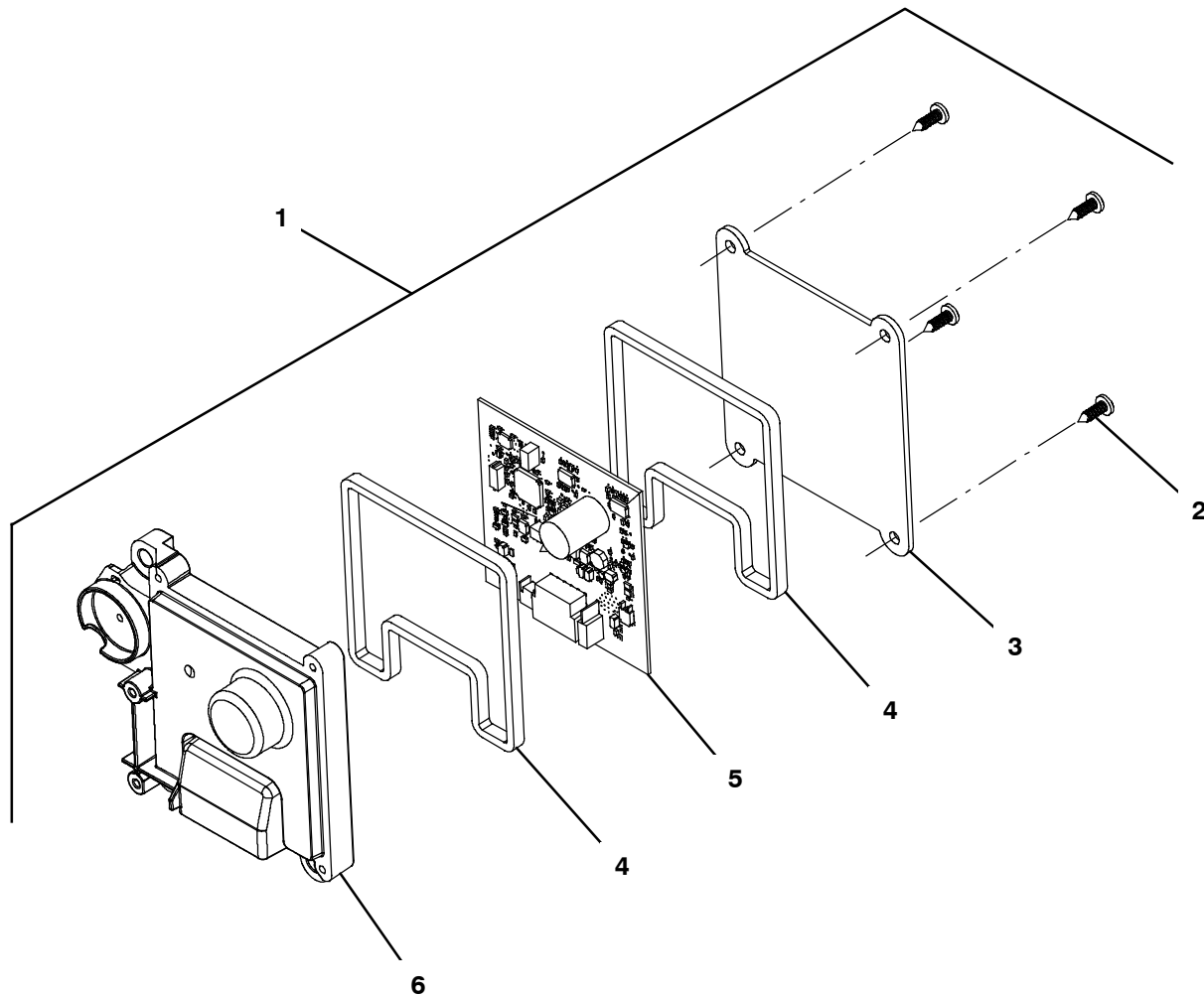
| | Ref. | Part No. | Serial Number | Description | Qty. |
|---|------|----------|-----------------------|--|------|
| ▽ | 1 | 9015774 | (10000000- 20000000) | Eccentric Drive Kit, Orbital | 1 |
| ▲ | 2 | 1231238 | (10000000- 20000000) | Key, Sq, 5mm X 5mm X 22mm | 1 |
| ▲ | 3 | N/A | (10000000- 20000000) | Balance, Eccentric, Step [Machined] | 1 |
| ▲ | 4 | N/A | (10000000- 20000000) | Spacer, Eccentric | 1 |
| ▲ | 5 | N/A | (10000000- 20000000) | Screw, Hex, M6 X 1.00 X 16, Sems | 3 |
| ▲ | 6 | N/A | (10000000- 20000000) | Plate, Retainer, Brg, Outer | 1 |
| ▲ | 7 | 1220452 | (10000000- 20000000) | Bearing, Ball, 2.17b 3.54d .71w | 1 |
| ▲ | 8 | N/A | (10000000- 20000000) | Housing, Bearing, Outer [Machined] | 1 |
| ▲ | 9 | N/A | (10000000- 20000000) | Retainer, Bearing, Inner [Qpq] | 1 |
| ▲ | 10 | N/A | (10000000- 20000000) | Screw, Soc, M6 X 1.00 X 12, 8.8, Low | 2 |
| ▲ | 11 | 1221394 | (10000000- 20000000) | Seal, Org, .125 X 02.63id | 1 |
| ▲ | 12 | 1212710 | (10000000- 20000000) | Screw, Flt, Soc, M6 X 1.00 X 35, 10.9,NI | 6 |

▽ ASSEMBLY

▲ INCLUDED IN ASSEMBLY

AUTOMATIC BATTERY WATERING MODULE BREAKDOWN

355564



| | Ref. | Part No. | Serial Number | Description | Qty. |
|---|------|----------|----------------------|--|------|
| ▽ | 1 | 9016770* | (10995399-20000000) | Controller Kit, Battery, 24vdc, Ci [Abw] | 1 |
| ▽ | 1 | 9018008 | (10000000-10995398) | Kit, Module, Abw, Ci (Replaced By 9016770) | 1 |
| ▲ | 2 | 1018155 | (10000000-20000000) | Screw, Pan, Phl, M5 X 0.80 X 16, Tcut, Ss | 4 |
| ▲ | 3 | 1223055 | (10000000-20000000) | Panel, Mtg, Fill, Auto, Battery | 1 |
| ▲ | 4 | 1223286 | (10000000-20000000) | Seal, Cover, Board, Battery Watering | 2 |
| ▲ | 5 | 1220931 | (10000000-20000000) | Circuitboard Assy [Abw Module] | 1 |
| ▲ | 6 | 1223261 | (10000000-20000000) | Cover, Circuitboard, Battery Watering | 1 |

* Requires Tennant *True* service or an authorized Tennant service provider.

▽ ASSEMBLY

▲ INCLUDED IN ASSEMBLY

