

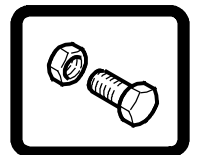


# T500

WALK-BEHIND FLOOR SCRUBBER

Machine Serial Number Range  
(S/N 30000000- 40000000)

Parts Manual



*Hygenic*<sup>®</sup> Fully Cleanable Recovery Tank  
*TennantTrue*<sup>®</sup> Parts  
*IRIS*<sup>®</sup> a Tennant Technology  
*Pro-Panel*<sup>®</sup> Controls  
*Insta-Fit*<sup>™</sup> Adapter  
*Smart-Fill*<sup>™</sup> Automatic Battery Watering



**China / International / Japan**

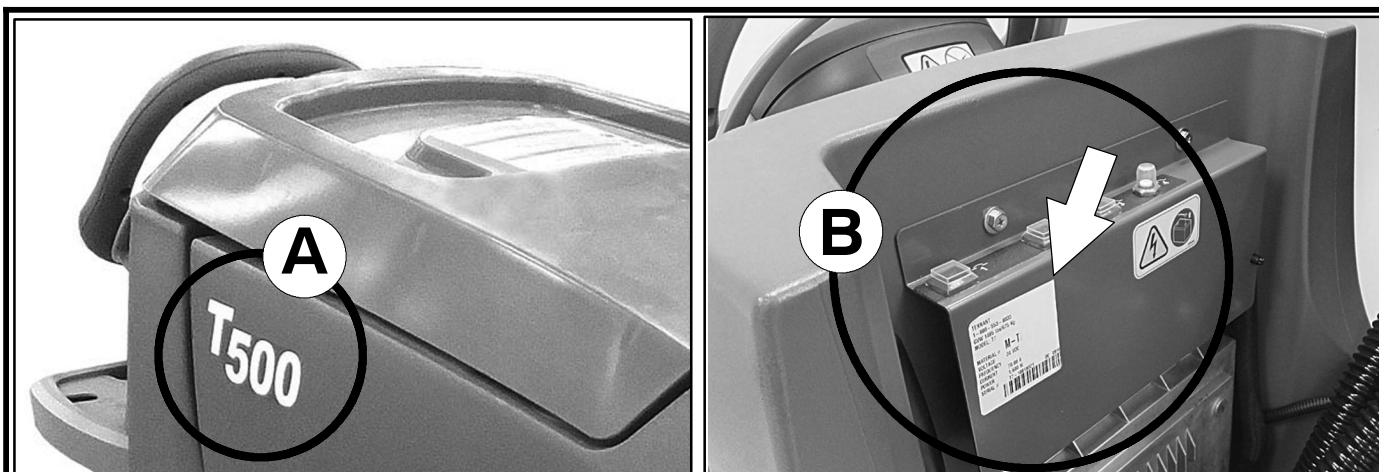


For the latest Parts manuals and other  
language Operator manuals, visit:

[www.tennantco.com/manuals](http://www.tennantco.com/manuals)

9015520  
Rev. 04 (03-2022)





Ref	Part No.	Serial Number	Description	Qty.
1	82681	(000000- )	Bracket Wldt, Lpg Mount	1
∇ 2	63810	(000000- )	Latch Assy, Lpg Tank Mtg, W/Nut	4
▲ 3	51839	(000000- )	Nut Adjustable, Lpg Tank Mtg	2
4	49263	(000000- )	Tie, Cable	3
(D)	82556	(000000- 001039)	Bracket, Vaporizer	1
	54930	(000000- )	Vaporizer, LPG	1

**HOW TO ORDER PARTS - See diagram above**

Only use TENNANT Company supplied or equivalent parts. Parts and supplies may be ordered online, by phone, by fax or by mail.

Follow the steps below to ensure prompt delivery.

1. (A) Identify the machine model.
2. (B) Identify the machine serial number from the data label.
3. (C) Ensure the proper serial number is used from the parts list.
4. Identify the part number and quantity. Do not order by page or reference numbers.
5. Provide your name, company name, customer ID number, billing and shipping address, phone number and purchase order number.
6. Provide detail shipping instructions.

- (D) ∇ - identifies an assembly  
 ▲ - identifies parts included in assembly

**Please fill out at time of installation for future reference.**

Model No. - \_\_\_\_\_

Serial No. - \_\_\_\_\_

Machine Options - \_\_\_\_\_

Sales Rep. - \_\_\_\_\_

Sales Rep. phone no. - \_\_\_\_\_

Customer ID Number - \_\_\_\_\_

Installation Date - \_\_\_\_\_

**Tennant Company**  
 10400 Clean Street  
 Eden Prairie, MN 55344- 2650  
 USA  
 Phone: (800) 553- 8033  
 www.tennantco.com

**TENNANT Cleaning Systems & Equipment (Shanghai) Co., Ltd**  
 Room 608, Building 5, Lane 928  
 Shenhong Road Shanghai, 201106  
 People's Republic of China  
 Phone: 86 21 6700 8000  
 www.tennant.co.cn

**TENNANT Company Japan**  
 9F Industry & Trade Center  
 2 Yamashita- cho, Naka- ku  
 Yokohama, Kanagawa 231- 0023  
 Japan  
 Phone: 81- 45- 640- 5630  
 Fax: 81- 45- 640- 5604  
 www.tennant.co.jp

Specifications and parts are subject to change without notice.

Copyright © 2022 TENNANT Company, Printed in China.

<b>CN</b>	<p><b>如何订购部件 - 参见下表</b></p> <p>仅使用 TENNANT 公司提供的或同等部件。部件和供应可以在线订购，通过电话、传真或邮件订购。请遵循下面的步骤确保及时交付。</p> <ol style="list-style-type: none"> <li>1. <b>(A)</b> 确定机器型号。</li> <li>2. <b>(B)</b> 从数据标签确定机器序列号。</li> <li>3. <b>(C)</b> 确保使用部件列表中的正确序列号。</li> <li>4. 确定部件号和数量。 不要按页面或参考编号订购。</li> <li>5. 提供您的姓名、公司名称、客户 ID 号、付帐和送货地址、电话号码和采购单编号。</li> <li>6. 提供详细的送货说明。</li> </ol> <hr/> <p><b>(D)</b> ▽ - 确定组件 ▲ - 确定组件中包含的组件</p>	<p><b>请在安装时填写供未来参考。</b></p> <p>型号 - _____</p> <p>序列号 - _____</p> <p>机器选项 - _____</p> <p>销售代表 - _____</p> <p>销售代表电话号码 - _____</p> <p>客户 ID 编号 - _____</p> <p>安装日期 - _____</p>
-----------	--	--

<b>JP</b>	<p><b>パーツの発注方法 ? 上記の図を参照してください</b></p> <p>TENNANT社製のパーツまたは同等品のみをお使いください。パーツやサプライ品のご注文は、オンライン、電話、FAX、または手紙でお願いいたします。確実にお届けできるように、以下の情報お知らせください。</p> <ol style="list-style-type: none"> <li>1. <b>(A)</b> 製品のモデル名をお知らせください。</li> <li>2. <b>(B)</b> 製品のデータラベルに印刷されているシリアル番号をお知らせください。</li> <li>3. <b>(C)</b> パーツリストを参照して、シリアル番号が正しいかご確認ください。</li> <li>4. パーツ番号と数量をお知らせください。マニュアル/カタログのページ番号や参照番号でのご注文はご遠慮ください。</li> <li>5. お客様のお名前、会社名、顧客ID番号、請求/発送先住所、電話番号、注文書番号をお知らせください。</li> <li>6. 発送に関するご希望があれば、明記してください。</li> </ol> <hr/> <p><b>(D)</b> ▽ - アセンブリを示します ▲ - アセンブリに含まれるパーツを示します</p>	<p><b>後日確認できるように、設置時に記入してください。</b></p> <p>モデルNo. - _____</p> <p>シリアルNo. - _____</p> <p>製品のオプション - _____</p> <p>販売代理店 - _____</p> <p>販売代理店の電話番号 - _____</p> <p>顧客ID番号 - _____</p> <p>設置日 - _____</p>
-----------	---	---



**STANDARD PARTS**

GENERAL RECOMMENDED MAINTENANCE ITEMS .....	7
GENERAL RECOMMENDED MAINTENANCE ITEMS (JAPAN) .....	10
REPLACEMENT BRUSHES AND PAD DRIVER DISK .....	12
REPLACEMENT BRUSHES AND PAD DRIVER DISK (JAPAN) .....	14
REPLACEMENT BRUSHES CYLINDRICAL .....	16
REPLACEMENT PADS ORBITAL .....	17
REPLACEMENT PADS ORBITAL (JAPAN) .....	18
SCRUB HEAD GROUP, DISK 650MM / 26IN ...	20
SCRUB HEAD GROUP, DISK 700MM / 28IN ...	22
SCRUB HEAD GROUP, DISK 800MM / 32IN ...	24
SCRUB HEAD GROUP, CYLINDRICAL 700MM / 28IN .....	26
SCRUB HEAD GROUP, CYLINDRICAL 700MM / 28IN - CONT'D .....	28
SCRUB HEAD GROUP, ORBITAL 700MM / 28IN .....	30
RECOVERY TANK GROUP .....	32
RECOVERY TANK FILTER AND HOSE GROUP, STANDARD SCREW CAP .....	34
RECOVERY TANK FILTER AND HOSE GROUP, PINCH CUFF SCREW CAP .....	36
RECOVERY TANK FILTER AND HOSE GROUP, CONTROL VALVE (JAPAN) .....	38
SOLUTION TANK GROUP .....	40
STANDARD ELECTRICAL GROUP .....	42
FRAME AND DRIVE GROUP .....	44
HEAD LIFT GROUP, DISK .....	46
HEAD LIFT GROUP, CYLINDRICAL .....	48
HEAD LIFT GROUP, ORBITAL .....	50
SHROUD GROUP, DISK AND ORBITAL .....	52
SHROUD GROUP, CYLINDRICAL .....	53
LOWER CONSOLE GROUP, ON- BOARD CHARGER .....	54
LOWER CONSOLE GROUP, OFF- BOARD CHARGER .....	56

**STANDARD PARTS - Cont'd**

CONSOLE HANDLE, PRO- MEMBRANE PANEL	58
CONSOLE HANDLE, PRO- PANEL LCD .....	60
SQUEEGEE LIFT GROUP .....	62
SQUEEGEE ASSEMBLY, 650MM / 26IN (New Style 9021741) .....	66
SQUEEGEE ASSEMBLY, 650MM / 26IN (Original Style 9015301 - Replaced By 9021741) .....	68
SQUEEGEE ASSEMBLY, 700MM / 28IN (New Style 9021742) .....	70
SQUEEGEE ASSEMBLY, 700MM / 28IN (Original Style 9015302 - Replaced By 9021742) .....	72
SQUEEGEE ASSEMBLY, 800MM / 32IN (New Style 9021743) .....	74
SQUEEGEE ASSEMBLY, 800MM / 32IN (Original Style 9015303 - Replaced By 9021743) .....	76
STANDARD SOLUTION GROUP .....	78
LABEL GROUP .....	80
LABEL GROUP (JAPAN) .....	81
STANDARD BATTERY CABLES GROUP .....	82
ELECTRICAL DIAGRAM (S/N JUN2021 - ) .....	84
ELECTRICAL DIAGRAM (S/N 30000000 - MAY2021) .....	90
ELECTRICAL HARNESS, MAIN (S/N JUN2021 - ) .....	94
ELECTRICAL HARNESS, MAIN (S/N 30000000 - MAY2021) .....	98
ELECTRICAL HARNESS, OPERATOR STATION	102
ELECTRICAL HARNESS, OPERATOR STATION	103
ELECTRICAL HARNESS, BAIL SWITCH .....	104

# TABLE OF CONTENTS

---

## OPTIONS

BATTERY GROUP, WET 240AH .....	105
BATTERY GROUP, AGM 220AH .....	106
BATTERY GROUP, WET 260AH .....	107
BATTERY GROUP, WET 260AH (CHINA) .....	108
BATTERY GROUP, AGM 220AH (CHINA) .....	109
SMART-FILL AUTOMATIC BATTERY WATERING SYSTEM (S/N JUN2021 - ) .....	110
SMART-FILL AUTOMATIC BATTERY WATERING GROUP (S/N 30000000 - MAY2021) .....	112
HYDROLINK® MANUAL BATTERY WATERING KIT .....	114
TELEMETRY ELECTRICAL GROUP .....	116
PINCH CUFF SCREW CAP DRAIN HOSE .....	118
CONTROL VALVE DRAIN HOSE KIT .....	119
ec-H2O SOLUTION GROUP .....	120
SEVERE ENVIRONMENT SOLUTION GROUP .	122
RECOVERY TANK RINSE KIT .....	124
SOLUTION TANK AUTO-FILL KIT .....	126
PARKING BRAKE GROUP .....	128
DOCUMENTATION GROUP (ONLINE ONLY) ...	130

## BREAKDOWNS

ec- H2O NANOCLEAN MODULE BREAKDOWN 9020643 (S/N JUN2020 - ) .....	132
ec- H2O NANOCLEAN MODULE BREAKDOWN 9011810 (S/N 30000000 - MAY2020) .....	134
ORBITAL HEAD ECCENTRIC DRIVE BREAKDOWN .....	136
AUTOMATIC BATTERY WATERING MODULE BREAKDOWN .....	138

# RECOMMENDED MAINTENANCE ITEMS

## GENERAL RECOMMENDED MAINTENANCE ITEMS

Part No.	Serial Number	Description	Qty.
1223989	(30000000- 40000000 )	Brush Assy, Disk, Scb, 13.0d, Pyp	2
1223991	(30000000- 40000000 )	Brush Assy, Disk, Scb, 13.0d, Nyl	2
1223990	(30000000- 40000000 )	Brush Assy, Disk, Scb, 13.0d, Sab	2
1243567	(30000000- 40000000 )	Pad, Stripper, 13.0d, Brn [1pick=1ctn]	2
1243655	(30000000- 40000000 )	Pad, Scb, 13.0d Blu [1pick=1ctn]	2
1243341	(30000000- 40000000 )	Pad, Buff, 13.0d, Red [1pick=1ctn]	2
1243342	(30000000- 40000000 )	Pad, Polish, 13.0d, White [1pick=1ctn]	2
1243666	(30000000- 40000000 )	Pad, Surf Prep, 13.0d Maroon[1pick=1ctn]	2
1220218	(30000000- 40000000 )	Brush Assy, Disk, Scb, 14.0d, Pyp	2
1221541	(30000000- 40000000 )	Brush Assy, Disk, Scb, 14.0d, Nyl	2
1220217	(30000000- 40000000 )	Brush Assy, Disk, Scb, 14.0d, Sab	2
1243657	(30000000- 40000000 )	Pad, Stripping, 14.0d Brown [1pick=1ctn]	2
1243344	(30000000- 40000000 )	Pad, Scb, 14.0d, Blu [1pick=1ctn]	2
1243656	(30000000- 40000000 )	Pad, Buff, 14.0d Red [1pick=1ctn]	2
1243343	(30000000- 40000000 )	Pad, Polish, 14.0d, White [1pick=1ctn]	2
1243658	(30000000- 40000000 )	Pad, Strip, 14.0d Blk[Hi Prod1pick=1ctn]	2
1243667	(30000000- 40000000 )	Pad, Surf Prep, 14.0d Maroon[1pick=1ctn]	2
1220216	(30000000- 40000000 )	Brush Assy, Disk, Scb, 16.0d, Pyp	2
1220215	(30000000- 40000000 )	Brush Assy, Disk, Scb, 16.0d, Nyl	2
1220214	(30000000- 40000000 )	Brush Assy, Disk, Scb, 16.0d, Sab	2
1243685	(30000000- 40000000 )	Pad, Stripping, 16.0d, Brn [1pick=1ctn]	2
1243354	(30000000- 40000000 )	Pad, Scb, 16.0d, Blu [1pick=1ctn]	2
1243355	(30000000- 40000000 )	Pad, Buff, 16.0d, Red [1pick=1ctn]	2
1243356	(30000000- 40000000 )	Pad, Polish, 16.0d, White [1pick=1ctn]	2
1243659	(30000000- 40000000 )	Pad, Strip, 16.0d Blk[Hi Prod1pick=1ctn]	2
1243668	(30000000- 40000000 )	Pad, Surf Prep, 16.0d Maroon[1pick=1ctn]	2
222304	(30000000- 40000000 )	Brush, Scb, 28l, 18sr, Pyp, Spl	2
222305	(30000000- 40000000 )	Brush, Scb, 28l, 18sr, Nyl, Spl	2
222306	(30000000- 40000000 )	Brush, Scb, 28l, 18sr, Abr, Spl	2
1223247	(30000000- 40000000 )	Pad, Scb, 28 X 14, Blu [1pc=1pad]	1
1244690	(30000000- 40000000 )	Pad, Buff, 28 X 14, Red [1pick=1ctn]	1
1223246	(30000000- 40000000 )	Pad, Polish, 28 X 14, White [1pc=1pad]	1
1223248	(30000000- 40000000 )	Pad, Surf Prep, 28 X 14, Mar [1pc=1pad]	1
1228002	(30000000- 40000000 )	Pad, Melamine, 14" X 28" [Case Of 5]	1
1223250	(30000000- 40000000 )	Pad, Scb, 28 X 14, Green [1pick=1ctn]	1
1221839	(30000000- 40000000 )	Pad, Backer, 28 X 14	1
222403	(30000000- 40000000 )	Wheel, 02.0d 0.88w 0.50b (Disk Head)	2
1232324	(30000000- 40000000 )	Bumper, Head, 65cm, Skirt, Im	1
1232325	(30000000- 40000000 )	Bumper, Head, 70cm, Skirt, Im	1
1232326	(30000000- 40000000 )	Bumper, Head, 80cm, Skirt, Im	1
630477	(30000000- 40000000 )	Wheel, Pyu, 02.0d 0.38w, Gray (Cylindrical Head)	6
1014918	(30000000- 40000000 )	Wheel, 03.0d 0.88w 0.31b, W/ Bshg, Rbr (Orbital Head)	2
1218573	(30000000- 40000000 )	Skirt, Side, Scrb, Cyl [T500]	4
▽ 9015765	(30000000- 40000000 )	Belt Kit, Motor, Ci (Cylindrical Head)	1
▲ 1035888	(30000000- 40000000 )	Belt, Drive, 6grv, 508 L X 14 W, [6pj]	2
▲ 1203758	(30000000- 40000000 )	Tool, Installation, Belt	1

# RECOMMENDED MAINTENANCE ITEMS

## GENERAL RECOMMENDED MAINTENANCE ITEMS

	Part No.	Serial Number	Description	Qty.
▽	9015731	(30000000- 40000000 )	Blade Kit, 500mm, Linatex (Standard)	1
▲	1203953	(30000000- 40000000 )	Blade, Sqge, Rear, 836l, Linatex[500mm] (Standard)	1
▲	1203954	(30000000- 40000000 )	Blade, Sqge, Front, 788l, Linatex[500mm] (Standard)	1
▽	9015732	(30000000- 40000000 )	Blade Kit, 500mm, Urethane (Option)	1
▲	1215609	(30000000- 40000000 )	Blade, Sqge, Rear, 836l, Urethane[500mm] (Option)	1
▲	1215611	(30000000- 40000000 )	Blade, Sqge, Front, 788l, Urethane[500mm] (Option)	1
▽	9015730	(30000000- 40000000 )	Blade Kit, 500mm, Gum (Option)	1
▲	1215610	(30000000- 40000000 )	Blade, Sqge, Rear, 836l, Gum[500mm] (Option)	1
▲	1215612	(30000000- 40000000 )	Blade, Sqge, Front, 788l, Gum[500mm] (Option)	1
▽	9015734	(30000000- 40000000 )	Blade Kit, 650mm, Linatex (Standard)	1
▲	1221585	(30000000- 40000000 )	Blade, Sqge, Rear, 1166l, Linatex[650mm] (Standard)	1
▲	1232680	(30000000- 40000000 )	Blade, Sqge, Front, 1072l Linard[650mm] (Standard)	1
▽	9015735	(30000000- 40000000 )	Blade Kit, 650mm, Urethane (Option)	1
▲	1228909	(30000000- 40000000 )	Blade, Sqge, Rear, 1136l,Urethane[650mm] (Option)	1
▲	1228915	(30000000- 40000000 )	Blade, Sqge, Front,1072l,Urethane[650mm] (Option)	1
▽	9015733	(30000000- 40000000 )	Blade Kit, 650mm, Gum (Option)	1
▲	1228910	(30000000- 40000000 )	Blade, Sqge, Rear, 1136l, Gum[650mm] (Option)	1
▲	1228919	(30000000- 40000000 )	Blade, Sqge, Front, 1072l Gum[650mm] (Option)	1
▽	9015737	(30000000- 40000000 )	Blade Kit, 700mm, Linatex (Standard)	1
▲	1221572	(30000000- 40000000 )	Blade, Sqge, Rear, 1204l, Linatex[700mm] (Standard)	1
▲	1232679	(30000000- 40000000 )	Blade, Sqge, Front, 1148l Linard[700mm] (Standard)	1
▽	9015738	(30000000- 40000000 )	Blade Kit, 700mm, Urethane (Option)	1
▲	1228904	(30000000- 40000000 )	Blade, Sqge, Rear, 1204l,Urethane[700mm] (Option)	1
▲	1228906	(30000000- 40000000 )	Blade, Sqge, Front,1148l Urethane[700mm] (Option)	1
▽	9015736	(30000000- 40000000 )	Blade Kit, 700mm, Gum (Option)	1
▲	1228905	(30000000- 40000000 )	Blade, Sqge, Rear, 1204l, Gum[700mm] (Option)	1
▲	1228907	(30000000- 40000000 )	Blade, Sqge, Front, 1148l Gum[700mm] (Option)	1
▽	9015740	(30000000- 40000000 )	Blade Kit, 800mm, Linatex (Standard)	1
▲	1221115	(30000000- 40000000 )	Blade, Sqge, Rear, 1306l, Linatex[800mm] (Standard)	1
▲	1232681	(30000000- 40000000 )	Blade, Sqge, Front, 1256l Linard[800mm] (Standard)	1
▽	9015741	(30000000- 40000000 )	Blade Kit, 800mm, Urethane (Option)	1
▲	1228920	(30000000- 40000000 )	Blade, Sqge, Rear, 1306l,Urethane[800mm] (Option)	1
▲	1228922	(30000000- 40000000 )	Blade, Sqge, Front,1256l Urethane[800mm] (Option)	1
▽	9015739	(30000000- 40000000 )	Blade Kit, 800mm, Gum (Option)	1
▲	1228921	(30000000- 40000000 )	Blade, Sqge, Rear, 1306l, Gum[800mm] (Option)	1
▲	1228923	(30000000- 40000000 )	Blade, Sqge, Front, 1256l Gum[800mm] (Option)	1



# RECOMMENDED MAINTENANCE ITEMS

## GENERAL RECOMMENDED MAINTENANCE ITEMS

	Part No.	Serial Number	Description	Qty.
	630052	(30000000- 40000000 )	Float, Shut- Off, (2)Ball, 1.75d	1
	1207357	(30000000- 40000000 )	Tray, Debris, Tank, Recvy [T300]	1
▽	1225793	(30000000- 40000000 )	Hose Assy, Drain, 1.5d 016l 1.5/Cap[Pvc] (Black - Standard)	1
▲▽	1218955	(30000000- 40000000 )	Cap, Drain Assy [Black]	1
▲▲	1008637	(30000000- 40000000 )	Seal, Org, 1.48id 1.76od	1
▽	1247083	(xxxxxxx- 40000000 )	Hose Assy, Drain, 1.5id X 26.4l [Pu] (Gray - Option)	1
▲▽	1219134	(30000000- 40000000 )	Cap, Drain Assy [Gray]	1
▲▲	1008637	(30000000- 40000000 )	Seal, Org, 1.48id 1.76od	1
▽	1219406	(30000000- xxxxxxxx )	Hose Assy, Drain, 1.5d 029l 1.5/Cap[Pu] (Gray - Option) (No Longer Available - Replaced by 1247083)	1
▲▽	1219134	(30000000- 40000000 )	Cap, Drain Assy [Gray]	1
▲▲	1008637	(30000000- 40000000 )	Seal, Org, 1.48id 1.76od	1
	1211220	(30000000- 40000000 )	Hose Assy,W/2cuff,1.5d 022l 1.5/1.5[Pvc] (Black - Standard)	1
	1224414	(30000000- 40000000 )	Hose Assy, W/2cuff,1.5d 033l 1.5/1.5[Pu] (Gray - Option)	1
	9015756	(30000000- 40000000 )	Seal, Cover, Recvy, Ci [T500]	1
	9015758	(30000000- 40000000 )	Seal, Tank, Soltn, Ci [T500/T500e]	1
	1066431	(30000000- 40000000 )	Seal, Afmkt, Bulb, Dual, 03ft [F/.30gap](Soltn Tank Front)	1
	1212422	(30000000- 40000000 )	Caster, Swivel [Wicke 224051]	2
▽	9004909	(30000000- 40000000 )	Wheel Kit, Solid, Ci [T5 T5e Ss5]	1
▲	1223583	(30000000- 40000000 )	Wheel, Scrbr, 213mm, W/ Taper	2
▽	1031723	(30000000- 40000000 )	Motor, Transaxle, 24vdc, Afmkt [T5]	1
▲	614166	(30000000- 40000000 )	Brush Kit, Carbon, Transaxle, Replmt [4]	1
▽	1211537	(30000000- 40000000 )	Filter, In- Line, Pf06/Pf06 080m 2.6l Epd	1
▲	1218885	(30000000- 40000000 )	Gasket [Epdm, F/1211537]	1
▲	1218883	(30000000- 40000000 )	Screen, Fltr, 80 Mesh, Ss [W/ Cage]	1
▲	613991	(30000000- 40000000 )	Bowl, Clr, Short, F/1005302	1
▽	9020643	(JUN2020- 40000000 )	Module Kit, Replmt [Ec- H2o, B 02] (Includes Cartridge)	1
▽	9011810	(30000000- MAY2020 )	Module Kit, Replmt [Ec- H2o, B 02] (Includes Cartridge) (Replaced By 9020643)	1
▲	9020642	(JUN2020- 40000000 )	Controller Kit, Replmt [Ec- H2o Nc] (Includes Cartridge)	1
▲	9014127	(30000000- MAY2020 )	Controller Kit, Replmt [Ec- H2o Nc] (Includes Cartridge) (Replaced By 9020642)	1
▲	9013646	(30000000- 40000000 )	Cartridge, Ec- H2o Nanoclean Wcm, 270ml	1
▽	9015726	(30000000- 40000000 )	Hose Kit, Drain, Pu, W/ Valve, Ci[T500] (Gray)	1
▲	1051986	(30000000- 40000000 )	Valve, Ball, 2way, 1.0id Pvc, W/Handle	1
▲	1225817	(30000000- 40000000 )	Hose Assy, W/2cuff,1.5d 027l 2.0/1.5[Pu] (Gray)	1
▽	1226905	(30000000- 40000000 )	Fan, Vacuum, 6.6d, 024vdc, 2 Stage (Australia Also Requires Qty 1 Ferrite #1065665)	1
▲	1206774	(30000000- 40000000 )	Vr, Brush Kit, Motor, Fan	1
	1065665	(30000000- 40000000 )	Inductor, 32.3mml [Ferrite 10- 250mhz] (Australia Only)	1
	100038	(30000000- 40000000 )	Gasket, .50, 02.63id 05.75od, Adh [Epdm]	1
▽	1023067	(30000000- 40000000 )	Motor, Ele, 24vdc 0220rpm 0.75hp Gear (Disk Head) (Australia Also Requires Qty 2 Ferrite #1227867)	2
▲	1031775	(30000000- 40000000 )	Brush Kit, Carbon, Motor, Replmt [T5] (Disk Head)	1
	1227867	(30000000- 40000000 )	Inductor, Ferrite [Split Case,407@100hz] (Australia Only)	4
▽	1223429	(30000000- 40000000 )	Motor, Ele, 24vdc 1500rpm 0.60hp (Cylindrical Head) (Australia - Also Require Qty 1 Ferrite #1065665)	2
▲	1031775	(30000000- 40000000 )	Brush Kit, Carbon, Motor, Replmt [T5] (Cylindrical Head)	1
	1065665	(30000000- 40000000 )	Inductor, 32.3mml [Ferrite 10- 250mhz] (Australia Only)	2
▽	1219913	(30000000- 40000000 )	Motor, Ele, 24vdc, 2200rpm, 0.75hp 28.0a (Orbital Head) (Australia - Also Require Qty 1 Ferrite #1065665)	1
▲	1059370	(30000000- 40000000 )	Brush, Motor, Replmt [Bag Of 4] (Orbital Head)	1
	1065665	(30000000- 40000000 )	Inductor, 32.3mml [Ferrite 10- 250mhz] (Australia Only)	1

# RECOMMENDED MAINTENANCE ITEMS

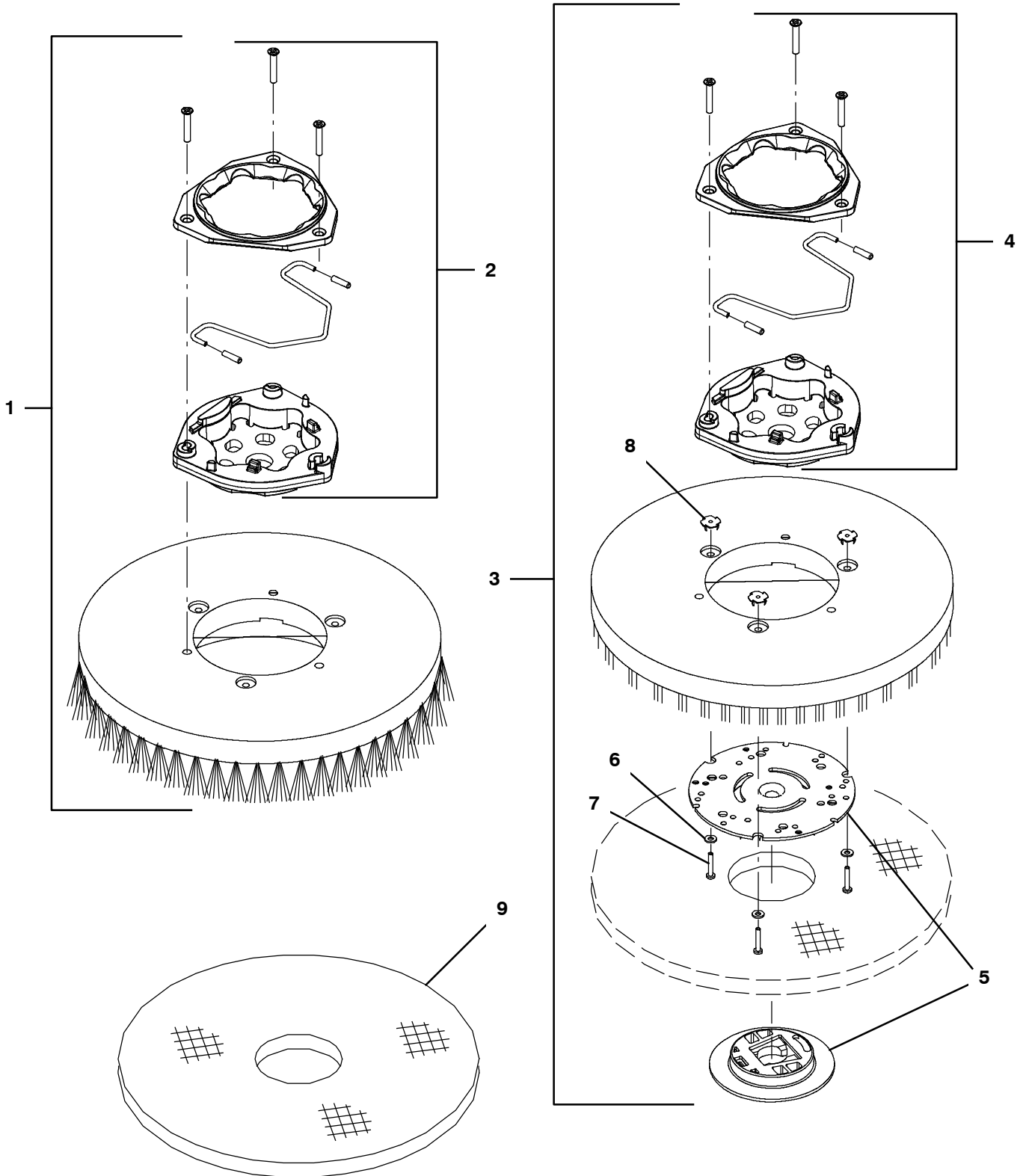
## GENERAL RECOMMENDED MAINTENANCE ITEMS (JAPAN)

Ref.	Part No.	Serial Number	Description	Qty.
	1223989	(30000000- 40000000 )	Brush Assy, Disk, Scb, 13.0d, Pyp	2
	1223991	(30000000- 40000000 )	Brush Assy, Disk, Scb, 13.0d, Nyl	2
	1223990	(30000000- 40000000 )	Brush Assy, Disk, Scb, 13.0d, Sab	2
	989646	(30000000- 40000000 )	Pad Blown 13 Inch	2
	989653	(30000000- 40000000 )	Pad Blue 13 Inch	2
	989660	(30000000- 40000000 )	Pad Red 13 Inch	2
	989674	(30000000- 40000000 )	Pad White 13 Inch	2
	1051024	(30000000- 40000000 )	Pad, Surf Prep, 13.0d [Mar, 1pick=1pad]	2
	1220218	(30000000- 40000000 )	Brush Assy, Disk, Scb, 14.0d, Pyp	2
	1221541	(30000000- 40000000 )	Brush Assy, Disk, Scb, 14.0d, Nyl	2
	1220217	(30000000- 40000000 )	Brush Assy, Disk, Scb, 14.0d, Sab	2
	989647	(30000000- 40000000 )	Pad Blown 14 Inch	2
	989654	(30000000- 40000000 )	Pad Blue 14 Inch	2
	989661	(30000000- 40000000 )	Pad Red 14 Inch	2
	989698	(30000000- 40000000 )	Pad White 14 Inch	2
	989636	(30000000- 40000000 )	Pad Black Hi Pro 14 Inch	2
	1051026	(30000000- 40000000 )	Pad, Surf Prep, 14.0d [Mar, 1pick=1pad]	2
	1220216	(30000000- 40000000 )	Brush Assy, Disk, Scb, 16.0d, Pyp	2
	1220215	(30000000- 40000000 )	Brush Assy, Disk, Scb, 16.0d, Nyl	2
	1220214	(30000000- 40000000 )	Brush Assy, Disk, Scb, 16.0d, Sab	2
	989648	(30000000- 40000000 )	Pad Blown 16 Inch	2
	989655	(30000000- 40000000 )	Pad Blue 16 Inch	2
	989662	(30000000- 40000000 )	Pad Red 16 Inch	2
	989637	(30000000- 40000000 )	Pad Black Hi Pro 16 Inch	2
	989041	(30000000- 40000000 )	Pad, Blue, Scrubbing (5pcs/1box) (Orbital Head)	1
	989042	(30000000- 40000000 )	Pad, Red, Cleaning (5pcs/1box) (Orbital Head)	1
	989043	(30000000- 40000000 )	Pad, White, Polishing (5pcs/1box) (Orbital Head)	1
	989044	(30000000- 40000000 )	Pad, Brown, Stripping (5pcs/1box) (Orbital Head)	1
	989045	(30000000- 40000000 )	Pad, Black, Stripping (5pcs/1box) (Orbital Head)	1
	989046	(30000000- 40000000 )	Pad, Light Blue, Ceramic Scrubbing (3pcs/1box) (Orbital Head)	1
	989047	(30000000- 40000000 )	Pad, White, Ceramic Scrubbing (3pcs/1box) (Orbital Head)	1
	1228002	(30000000- 40000000 )	Pad, Melamine, 14" X 28" [Case Of 5]	1
	1221839	(30000000- 40000000 )	Pad, Backer, 28 X 14	1
▽	1247083	(xxxxxxx- 40000000 )	Hose Assy, Drain, 1.5id X 26.4l [Pu] (Gray)	1
▲▽	1219134	(30000000- 40000000 )	Cap, Drain Assy [Gray]	1
▲▲	1008637	(30000000- 40000000 )	Seal, Org, 1.48id 1.76od	1
▽	9015726	(30000000- xxxxxxxx )	Hose Kit, Drain, Pu, W/ Valve, Ci[T500] (Gray) (No Longer Available - Replaced by Gray Pinch Cuff Screw Cap 1247083)	1
▲	1051986	(30000000- xxxxxxxx )	Valve, Ball, 2way, 1.0id Pvc, W/Handle (No Longer Available - Replaced by Gray Pinch Cuff Screw Cap 1247083)	1
▲	1225817	(30000000- xxxxxxxx )	Hose Assy, W/2cuff,1.5d 027l 2.0/1.5[Pu] (Gray) (No Longer Available - Replaced by Gray Pinch Cuff Screw Cap 1247083)	1
	1224414	(30000000- 40000000 )	Hose Assy, W/2cuff,1.5d 033l 1.5/1.5[Pu] (Gray)	1



REPLACEMENT BRUSHES AND PAD DRIVER DISK

355426



REPLACEMENT BRUSHES AND PAD DRIVER DISK

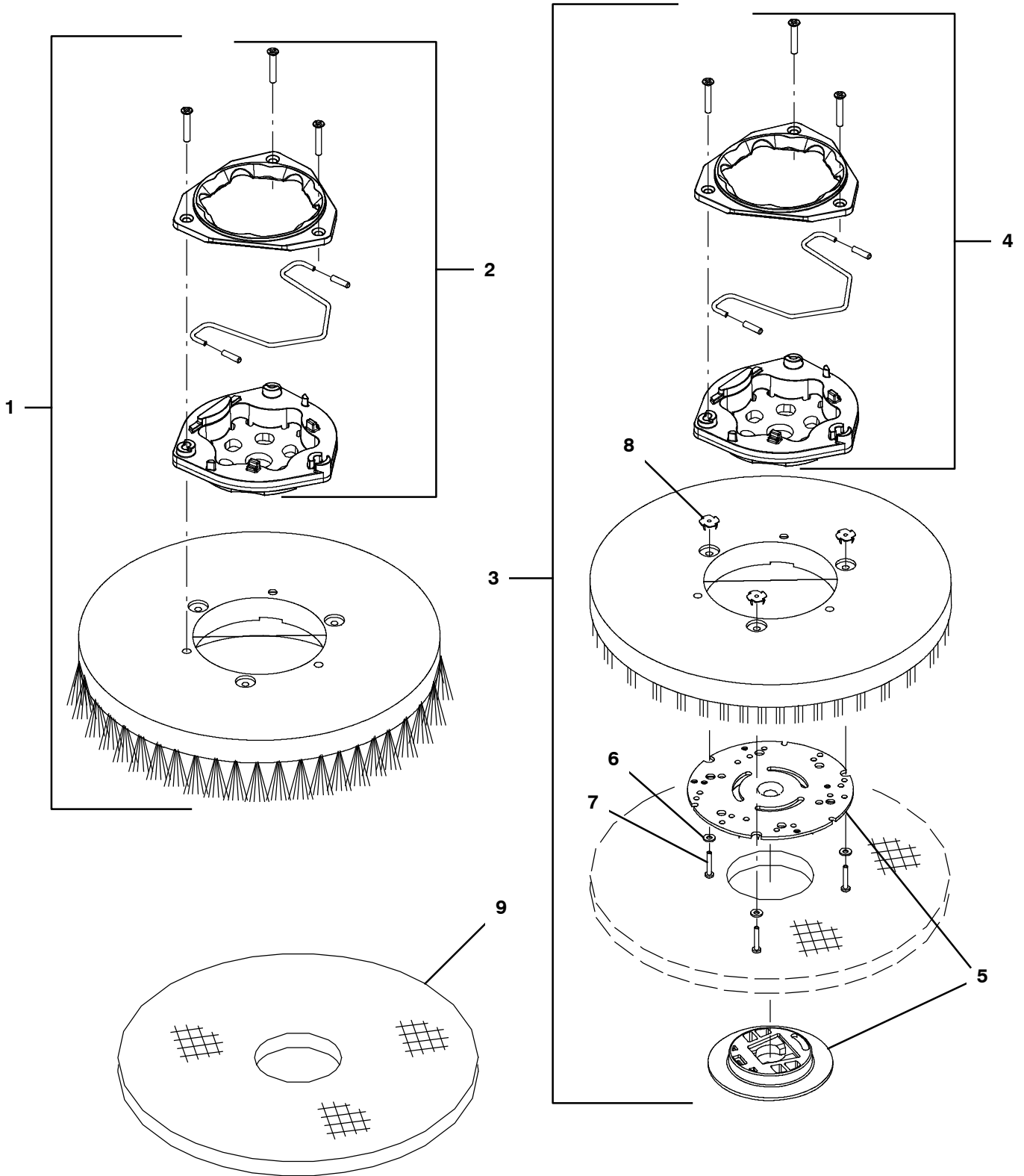
Ref.	Part No.	Serial Number	Description	Qty.
▽	1	1223989	(30000000- 40000000 ) Brush Assy, Disk, Scb, 13.0d, Pyp	2
▽	1	1223991	(30000000- 40000000 ) Brush Assy, Disk, Scb, 13.0d, Nyl	2
▽	1	1223990	(30000000- 40000000 ) Brush Assy, Disk, Scb, 13.0d, Sab	2
▽	1	1220218	(30000000- 40000000 ) Brush Assy, Disk, Scb, 14.0d, Pyp	2
▽	1	1221541	(30000000- 40000000 ) Brush Assy, Disk, Scb, 14.0d, Nyl	2
▽	1	1220217	(30000000- 40000000 ) Brush Assy, Disk, Scb, 14.0d, Sab	2
▽	1	1220216	(30000000- 40000000 ) Brush Assy, Disk, Scb, 16.0d, Pyp	2
▽	1	1220215	(30000000- 40000000 ) Brush Assy, Disk, Scb, 16.0d, Nyl	2
▽	1	1220214	(30000000- 40000000 ) Brush Assy, Disk, Scb, 16.0d, Sab	2
▲	2	9014667	(30000000- 40000000 ) Brush Kit, Hub Assy, Drive, Ci [Comm]	1
▽	3	1220220	(30000000- 40000000 ) Driver Assy, Pad, 13.0d, Brush	2
▽	3	1220221	(30000000- 40000000 ) Driver Assy, Pad, 14.0d, Brush	2
▽	3	1220222	(30000000- 40000000 ) Driver Assy, Pad, 16.0d, Brush	2
▲	4	9014667	(30000000- 40000000 ) Brush Kit, Hub Assy, Drive, Ci [Comm]	1
▲	5	370095	(30000000- 40000000 ) Device, Centering, Clip On, TI [Gf Pp]	1
▲	6	41579	(30000000- 40000000 ) Washer, Flat, 08, Ss	3
▲	7	04403	(30000000- 40000000 ) Screw, Pan, Phl, M4 X 0.70 X 25, NI, Ss	3
▲	8	10908	(30000000- 40000000 ) Nut, T, M4 X 0.70	3
	9	1243567	(30000000- 40000000 ) Pad, Stripper, 13.0d, Brn [1pick=1ctn]	2
	9	1243655	(30000000- 40000000 ) Pad, Scb, 13.0d Blu [1pick=1ctn]	2
	9	1243341	(30000000- 40000000 ) Pad, Buff, 13.0d, Red [1pick=1ctn]	2
	9	1243342	(30000000- 40000000 ) Pad, Polish, 13.0d, White [1pick=1ctn]	2
	9	1243666	(30000000- 40000000 ) Pad, Surf Prep, 13.0d Maroon[1pick=1ctn]	2
	9	1240356	(30000000- 40000000 ) Pad, Polish, 13.0d, Yel [1pick=1ctn]	2
	9	1243657	(30000000- 40000000 ) Pad, Stripping, 14.0d Brown [1pick=1ctn]	2
	9	1243344	(30000000- 40000000 ) Pad, Scb, 14.0d, Blu [1pick=1ctn]	2
	9	1243656	(30000000- 40000000 ) Pad, Buff, 14.0d Red [1pick=1ctn]	2
	9	1243343	(30000000- 40000000 ) Pad, Polish, 14.0d, White [1pick=1ctn]	2
	9	1243658	(30000000- 40000000 ) Pad, Strip, 14.0d Blk[Hi Prod1pick=1ctn]	2
	9	1243667	(30000000- 40000000 ) Pad, Surf Prep, 14.0d Maroon[1pick=1ctn]	2
	9	1240389	(30000000- 40000000 ) Pad, Polish, 14.0d, Yel [1pick=1ctn]	2
	9	1243685	(30000000- 40000000 ) Pad, Stripping, 16.0d, Brn [1pick=1ctn]	2
	9	1243354	(30000000- 40000000 ) Pad, Scb, 16.0d, Blu [1pick=1ctn]	2
	9	1243355	(30000000- 40000000 ) Pad, Buff, 16.0d, Red [1pick=1ctn]	2
	9	1243356	(30000000- 40000000 ) Pad, Polish, 16.0d, White [1pick=1ctn]	2
	9	1243659	(30000000- 40000000 ) Pad, Strip, 16.0d Blk[Hi Prod1pick=1ctn]	2
	9	1243668	(30000000- 40000000 ) Pad, Surf Prep, 16.0d Maroon[1pick=1ctn]	2

▽ ASSEMBLY

▲ INCLUDED IN ASSEMBLY

REPLACEMENT BRUSHES AND PAD DRIVER DISK (JAPAN)

355426



REPLACEMENT BRUSHES AND PAD DRIVER DISK (JAPAN)

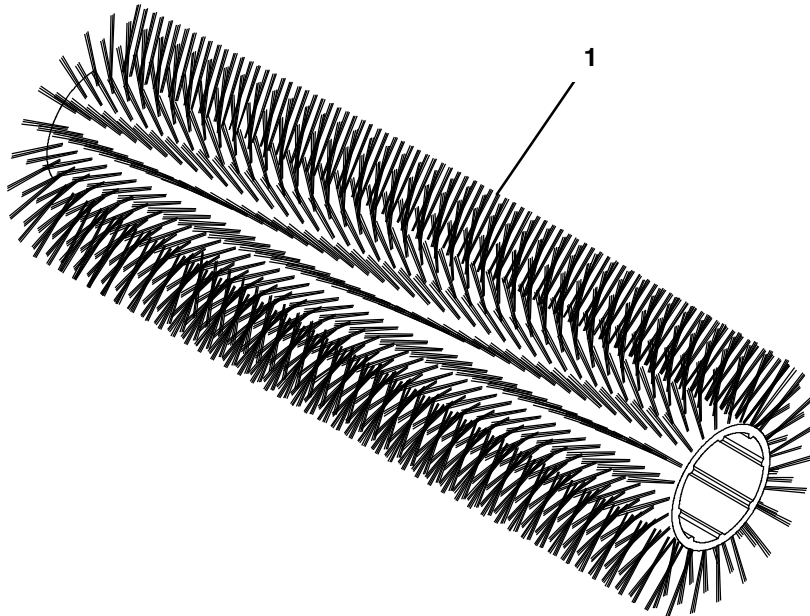
Ref.	Part No.	Serial Number	Description	Qty.
▽	1	1223989	(30000000- 40000000 ) Brush Assy, Disk, Scb, 13.0d, Pyp	2
▽	1	1223991	(30000000- 40000000 ) Brush Assy, Disk, Scb, 13.0d, Nyl	2
▽	1	1223990	(30000000- 40000000 ) Brush Assy, Disk, Scb, 13.0d, Sab	2
▽	1	1220218	(30000000- 40000000 ) Brush Assy, Disk, Scb, 14.0d, Pyp	2
▽	1	1221541	(30000000- 40000000 ) Brush Assy, Disk, Scb, 14.0d, Nyl	2
▽	1	1220217	(30000000- 40000000 ) Brush Assy, Disk, Scb, 14.0d, Sab	2
▽	1	1220216	(30000000- 40000000 ) Brush Assy, Disk, Scb, 16.0d, Pyp	2
▽	1	1220215	(30000000- 40000000 ) Brush Assy, Disk, Scb, 16.0d, Nyl	2
▽	1	1220214	(30000000- 40000000 ) Brush Assy, Disk, Scb, 16.0d, Sab	2
▲	2	9014667	(30000000- 40000000 ) Brush Kit, Hub Assy, Drive, Ci [Comm]	1
▽	3	1220220	(30000000- 40000000 ) Driver Assy, Pad, 13.0d, Brush	2
▽	3	1220221	(30000000- 40000000 ) Driver Assy, Pad, 14.0d, Brush	2
▽	3	1220222	(30000000- 40000000 ) Driver Assy, Pad, 16.0d, Brush	2
▲	4	9014667	(30000000- 40000000 ) Brush Kit, Hub Assy, Drive, Ci [Comm]	1
▲	5	370095	(30000000- 40000000 ) Device, Centering, Clip On, TI [Gf Pp]	1
▲	6	41579	(30000000- 40000000 ) Washer, Flat, 08, Ss	3
▲	7	04403	(30000000- 40000000 ) Screw, Pan, Phl, M4 X 0.70 X 25, NI, Ss	3
▲	8	10908	(30000000- 40000000 ) Nut, T, M4 X 0.70	3
	9	989646	(30000000- 40000000 ) Pad Blown 13 Inch	2
	9	989653	(30000000- 40000000 ) Pad Blue 13 Inch	2
	9	989660	(30000000- 40000000 ) Pad Red 13 Inch	2
	9	989674	(30000000- 40000000 ) Pad White 13 Inch	2
	9	1051024	(30000000- 40000000 ) Pad, Surf Prep, 13.0d [Mar, 1pick=1pad]	2
	9	989647	(30000000- 40000000 ) Pad Blown 14 Inch	2
	9	989654	(30000000- 40000000 ) Pad Blue 14 Inch	2
	9	989661	(30000000- 40000000 ) Pad Red 14 Inch	2
	9	989698	(30000000- 40000000 ) Pad White 14 Inch	2
	9	989636	(30000000- 40000000 ) Pad Black Hi Pro 14 Inch	2
	9	1051026	(30000000- 40000000 ) Pad, Surf Prep, 14.0d [Mar, 1pick=1pad]	2
	9	989648	(30000000- 40000000 ) Pad Blown 16 Inch	2
	9	989655	(30000000- 40000000 ) Pad Blue 16 Inch	2
	9	989662	(30000000- 40000000 ) Pad Red 16 Inch	2
	9	989637	(30000000- 40000000 ) Pad Black Hi Pro 16 Inch	2
	9	989642	(30000000- 40000000 ) Pad Black 16 Inch	2

▽ ASSEMBLY

▲ INCLUDED IN ASSEMBLY

## REPLACEMENT BRUSHES CYLINDRICAL

355427

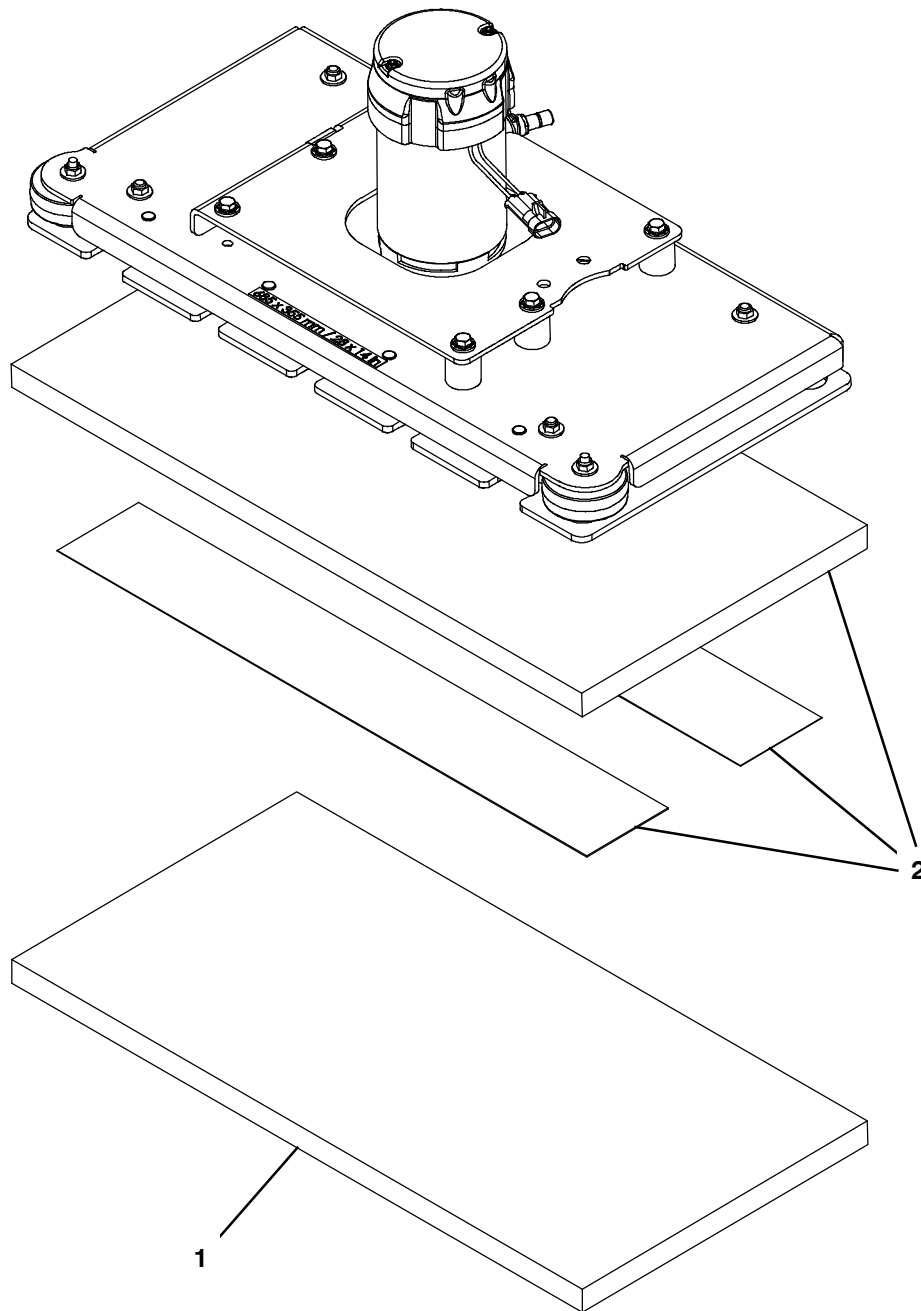


Ref.	Part No.	Serial Number	Description	Qty.
1	222304	(30000000- 40000000 )	Brush, Scb, 28l, 18sr, Pyp, Spl	2
1	222305	(30000000- 40000000 )	Brush, Scb, 28l, 18sr, Nyl, Spl	2
1	222306	(30000000- 40000000 )	Brush, Scb, 28l, 18sr, Abr, Spl	2



REPLACEMENT PADS ORBITAL

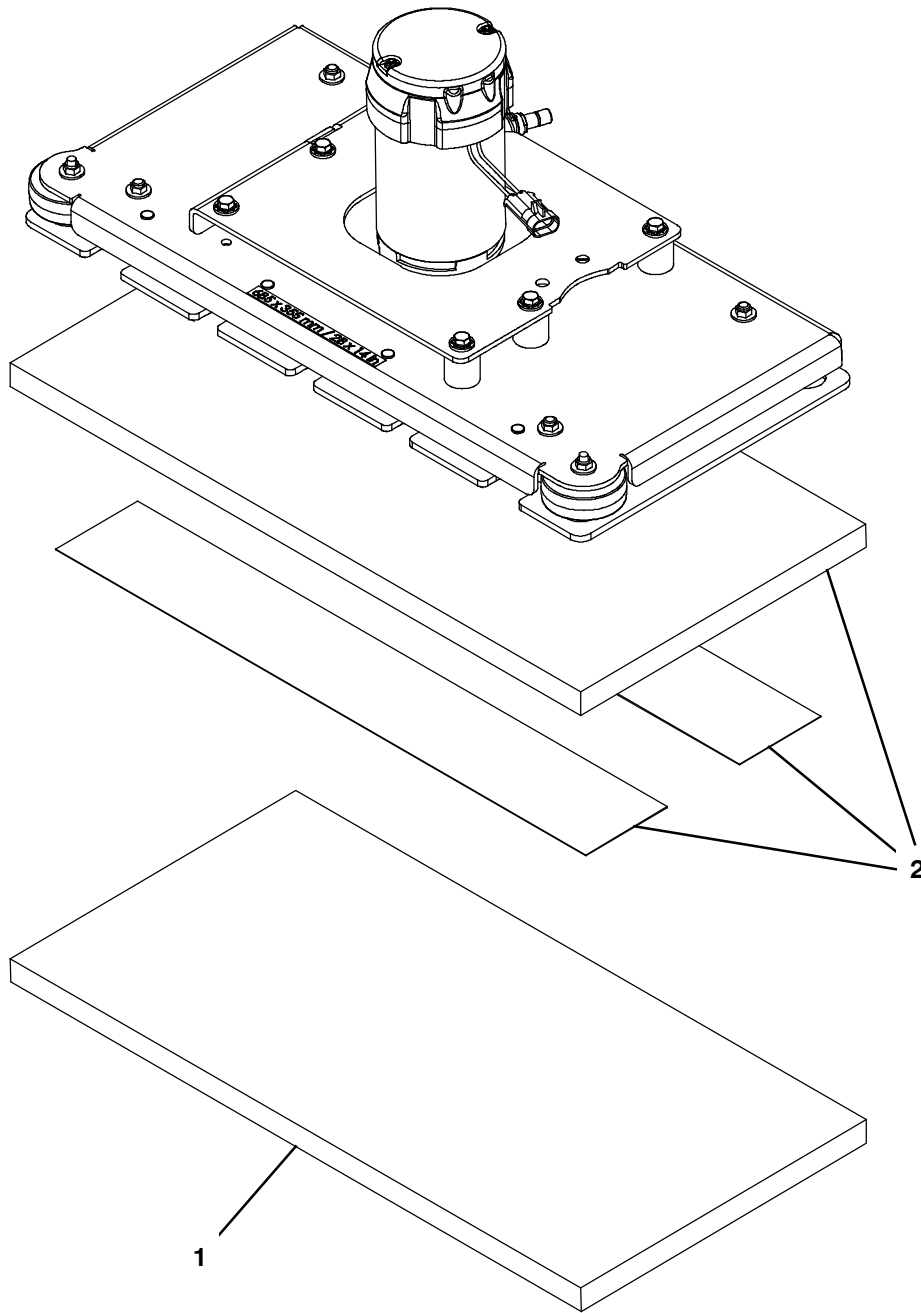
355478



Ref.	Part No.	Serial Number	Description	Qty.
1	1223247	(30000000- 40000000 )	Pad, Scb, 28 X 14, Blu [1pc=1pad]	1
1	1244690	(30000000- 40000000 )	Pad, Buff, 28 X 14, Red [1pick=1ctn]	1
1	1223246	(30000000- 40000000 )	Pad, Polish, 28 X 14, White [1pc=1pad]	1
1	1223248	(30000000- 40000000 )	Pad, Surf Prep, 28 X 14, Mar [1pc=1pad]	1
1	1223250	(30000000- 40000000 )	Pad, Scb, 28 X 14, Green [1pick=1ctn]	1
1	1228002	(30000000- 40000000 )	Pad, Melamine, 14" X 28" [Case Of 5]	1
2	1221839	(30000000- 40000000 )	Pad, Backer, 28 X 14 (Includes Velcro Fasteners)	1

**REPLACEMENT PADS ORBITAL (JAPAN)**

355478

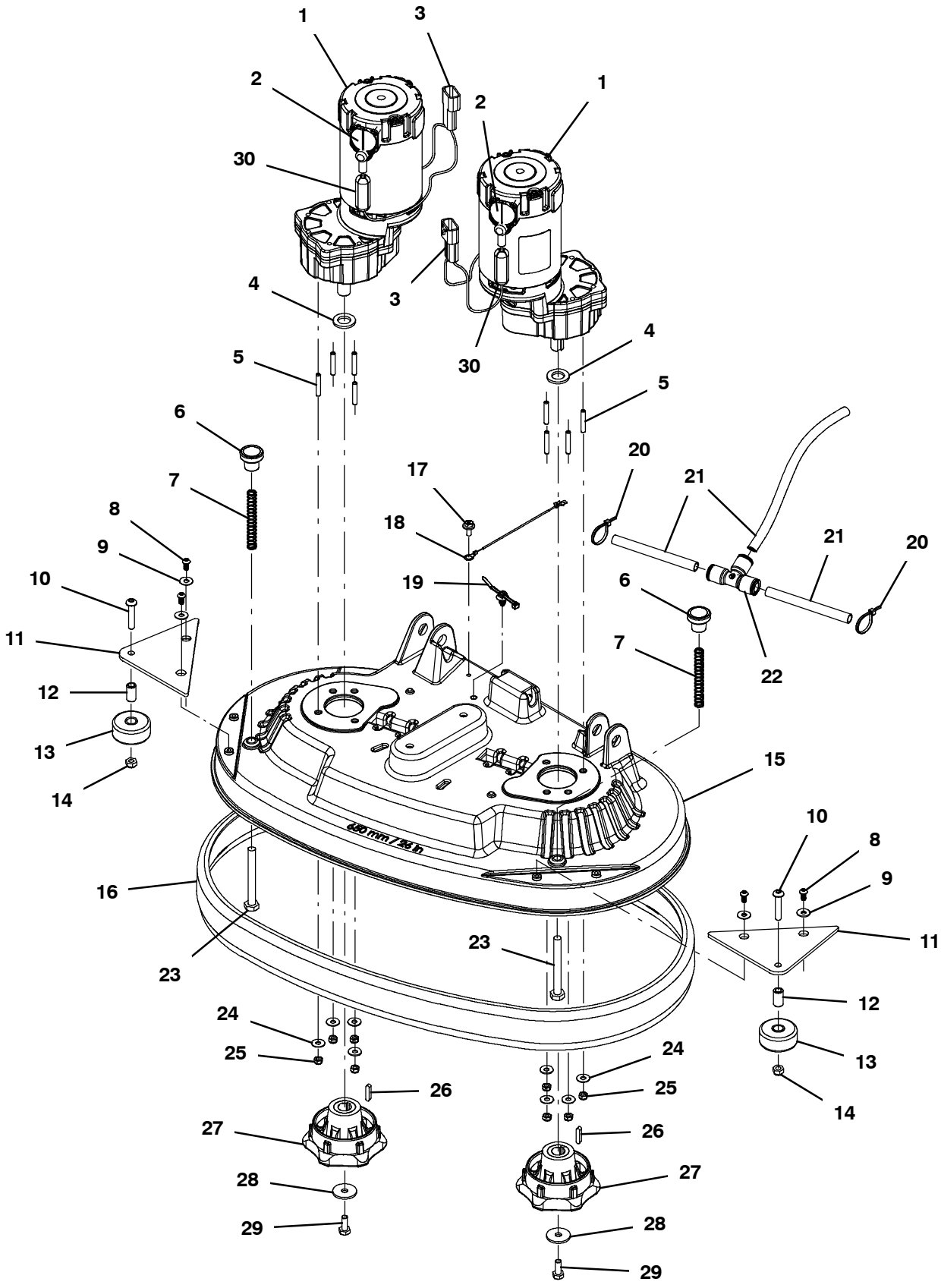


Ref.	Part No.	Serial Number	Description	Qty.
1	989041	(30000000- 40000000 )	Pad, Blue, Scrubbing (5pcs/1box)	1
1	989042	(30000000- 40000000 )	Pad, Red, Cleaning (5pcs/1box)	1
1	989043	(30000000- 40000000 )	Pad, White, Polishing (5pcs/1box)	1
1	989044	(30000000- 40000000 )	Pad, Brown, Stripping (5pcs/1box)	1
1	989045	(30000000- 40000000 )	Pad, Black, Stripping (5pcs/1box)	1
1	989046	(30000000- 40000000 )	Pad, Light Blue, Ceramic Scrubbing (3pcs/1box)	1
1	989047	(30000000- 40000000 )	Pad, White, Ceramic Scrubbing (3pcs/1box)	1
1	1223248	(30000000- 40000000 )	Pad, Surf Prep, 28 X 14, Mar [1pick=1pc]	1
1	1228002	(30000000- 40000000 )	Pad, Melamine, 14" X 28" [Case Of 5]	1
2	1221839	(30000000- 40000000 )	Pad, Backer, 28 X 14 (Includes Velcro Fasteners)	1



SCRUB HEAD GROUP, DISK 650MM / 26IN

355421



## SCRUB HEAD GROUP, DISK 650MM / 26IN

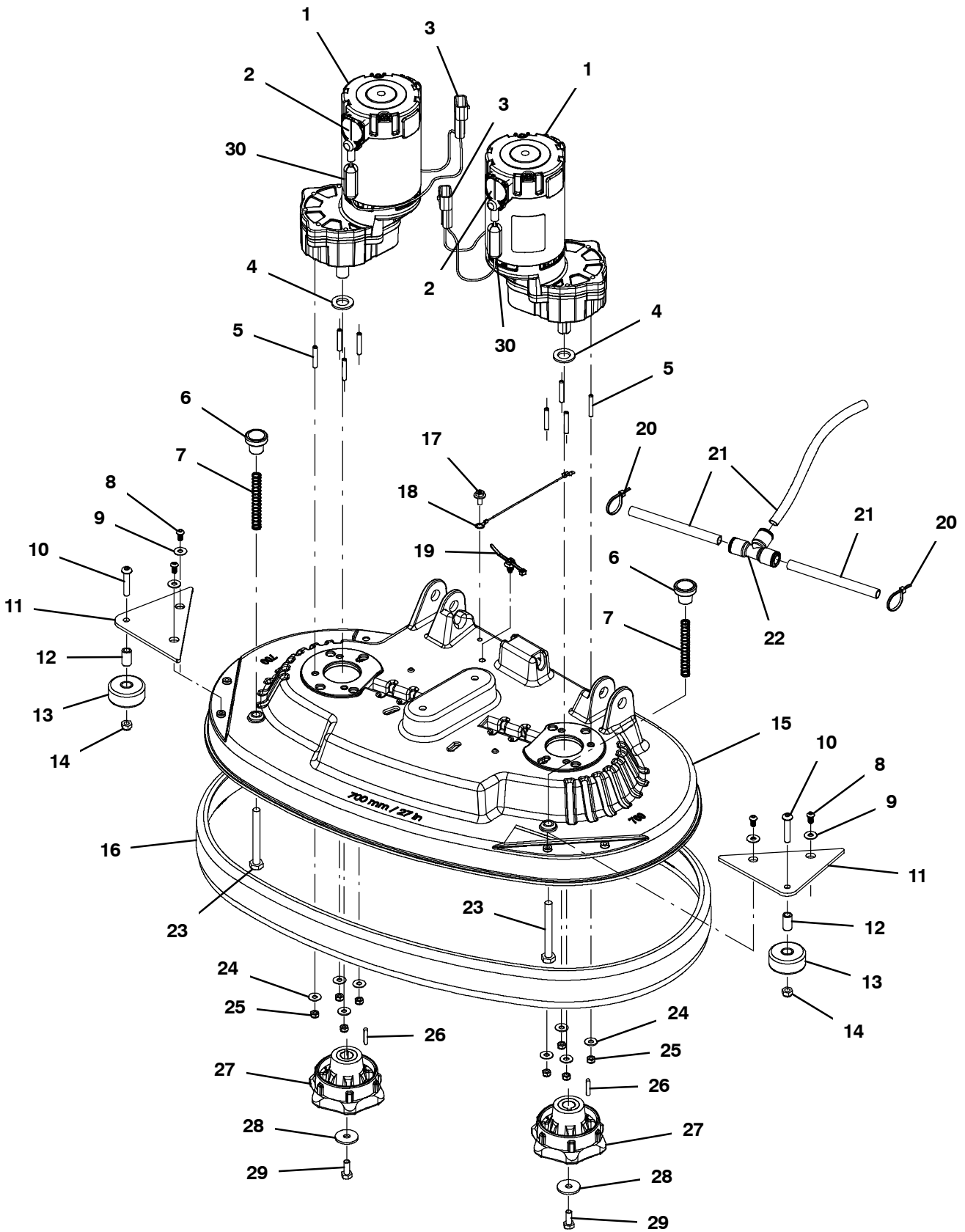
Ref.	Part No.	Serial Number	Description	Qty.
▽	1	1023067	(30000000- 40000000 ) Motor, Ele, 24vdc 0220rpm 0.75hp Gear (Australia Also Requires Qty 2 Ferrite #1227867)	2
▲	2	1031775	(30000000- 40000000 ) Brush Kit, Carbon, Motor, Replmt [T5]	1
▲	3	1031681	(30000000- 40000000 ) Harness, Connector, Brush- Motor [T5] Us	1
	4	1022549	(30000000- 40000000 ) Spacer, Shaft, 17.15b 30.0d 3.0l, Ss	2
	5	1025853	(30000000- 40000000 ) Screw, Set, M6 X 1.00 X 35, NI, Ss	8
	6	1222988	(30000000- 40000000 ) Knob, Rnd, 31.0d 27.0l M10, Plstc	2
	7	626081	(30000000- 40000000 ) Spring, Cmpr, 0.48od .04wir 03.5l	2
	8	1227865	(30000000- 40000000 ) Screw, Trs, M6 X 1.0 X 12, Phl, Ss, NI	4
	9	01684	(30000000- 40000000 ) Washer, Flat, 0.27b 0.69d .05, Ss	4
	10	397826	(30000000- 40000000 ) Screw, Btn, M8 X 1.25 X 40, Ss	2
	11	1227709	(30000000- 40000000 ) Bracket, Roller, Wall	2
	12	222496	(30000000- 40000000 ) Sleeve, P/M, 0.32b 0.50d 0.9l [430ss]	2
	13	222403	(30000000- 40000000 ) Wheel, 02.0d 0.88w 0.50b	2
	14	08713	(30000000- 40000000 ) Nut, Hex, Lock, M8 X 1.25, NI, Ss	2
	15	1222365	(30000000- 40000000 ) Housing, Disc, Dual, 65cm [Machined]	1
	16	1232324	(30000000- 40000000 ) Bumper, Head, 65cm, Skirt, Im	1
	17	1034731	(30000000- 40000000 ) Screw, Hex, M6 X 1.00 X 16, Sems, Ss	1
	18	1074344	(30000000- 40000000 ) Harness, Ele [Ring With .250m Tail]	1
	19	1210807	(30000000- 40000000 ) Wire, Tie [W/.25" Fir Tree Clip]	1
	20	130773	(30000000- 40000000 ) Tie, Cable, Nyl, 11.0l, .14w, 3.0 Max. D	2
	21	9014145	(30000000- 40000000 ) Hose, Afmkt, Pe, .375id .50od, 05ft	1
	22	1212858	(30000000- 40000000 ) Fitting, Plstc, Tee, Qf08/Qf08/Qf08	1
	23	09746	(30000000- 40000000 ) Screw, Hex, M10 X 1.50 X 90, Ss	2
	24	01684	(30000000- 40000000 ) Washer, Flat, 0.27b 0.69d .05, Ss	8
	25	08712	(30000000- 40000000 ) Nut, Hex, Lock, M6 X 1.00, NI, Ss	8
	26	1014328	(30000000- 40000000 ) Key, Sq, 05mm X 05mm, 25mml	2
	27	1071637	(30000000- 40000000 ) Hub, Drive, Brush, Disk, 17mmb	2
	28	1017218	(30000000- 40000000 ) Washer, Flat, 0.32b 1.00d .12, Ss	2
	29	12273	(30000000- 40000000 ) Screw, Hex, M8 X 1.25 X 20, NI, Ss	2
	30	1227867	(30000000- 40000000 ) Inductor, Ferrite [Split Case,407@100hz] (Australia Only)	4

▽ ASSEMBLY

▲ INCLUDED IN ASSEMBLY

SCRUB HEAD GROUP, DISK 700MM / 28IN

355422



## SCRUB HEAD GROUP, DISK 700MM / 28IN

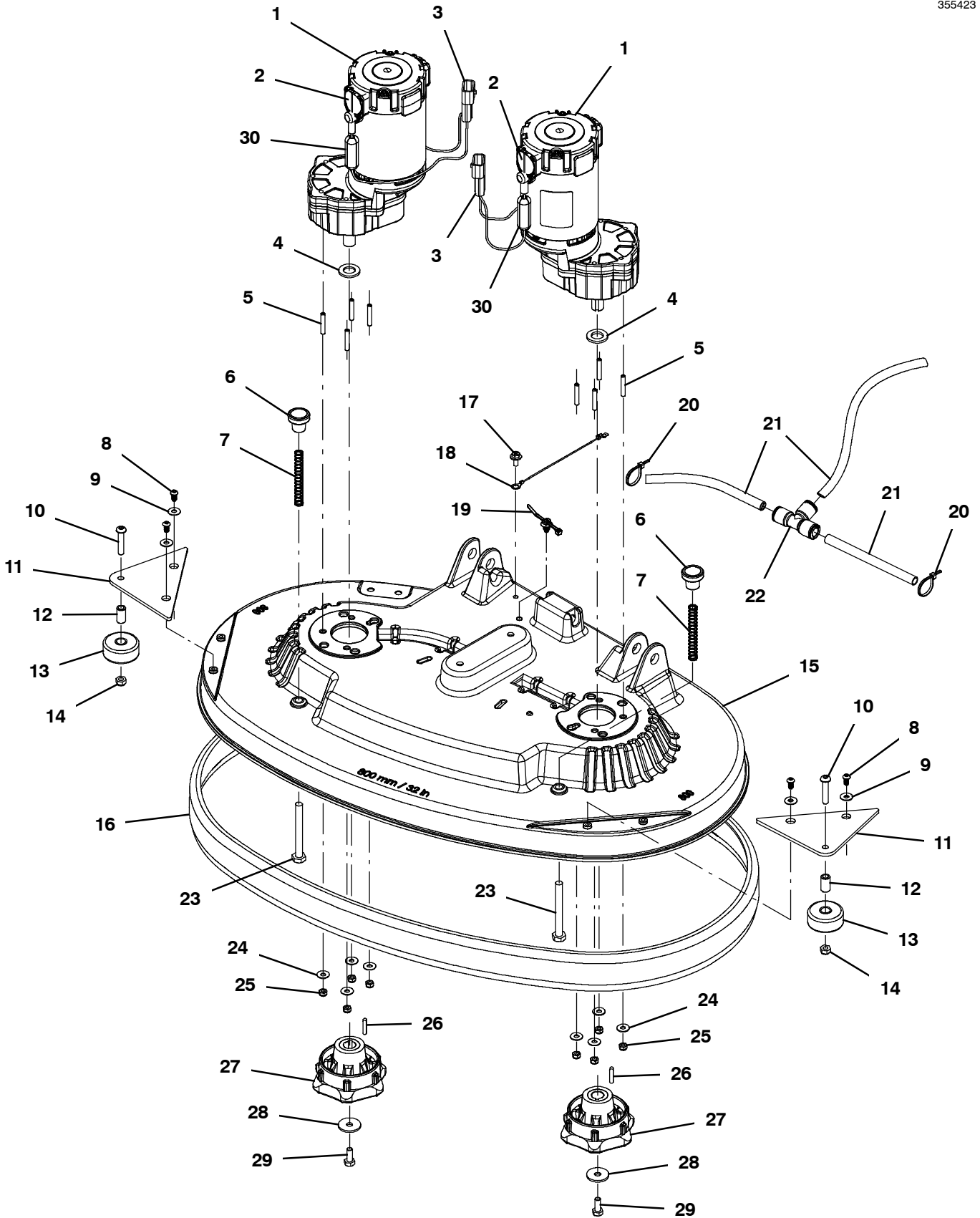
Ref.	Part No.	Serial Number	Description	Qty.
▽	1	1023067	(30000000- 40000000 ) Motor, Ele, 24vdc 0220rpm 0.75hp Gear (Australia Also Requires Qty 2 Ferrite #1227867)	2
▲	2	1031775	(30000000- 40000000 ) Brush Kit, Carbon, Motor, Replmt [T5]	1
▲	3	1031681	(30000000- 40000000 ) Harness, Connector, Brush- Motor [T5] Us	1
	4	1022549	(30000000- 40000000 ) Spacer, Shaft, 17.15b 30.0d 3.0l, Ss	2
	5	1025853	(30000000- 40000000 ) Screw, Set, M6 X 1.00 X 35, NI, Ss	8
	6	1222988	(30000000- 40000000 ) Knob, Rnd, 31.0d 27.0l M10, Plstc	2
	7	626081	(30000000- 40000000 ) Spring, Cmpr, 0.48od .04wir 03.5l	2
	8	1227865	(30000000- 40000000 ) Screw, Trs, M6 X 1.0 X 12, Phl, Ss, NI	4
	9	01684	(30000000- 40000000 ) Washer, Flat, 0.27b 0.69d .05, Ss	4
	10	397826	(30000000- 40000000 ) Screw, Btn, M8 X 1.25 X 40, Ss	2
	11	1227709	(30000000- 40000000 ) Bracket, Roller, Wall	2
	12	222496	(30000000- 40000000 ) Sleeve, P/M, 0.32b 0.50d 0.9l [430ss]	2
	13	222403	(30000000- 40000000 ) Wheel, 02.0d 0.88w 0.50b	2
	14	08713	(30000000- 40000000 ) Nut, Hex, Lock, M8 X 1.25, NI, Ss	2
	15	1234331	(30000000- 40000000 ) Housing, Disc, Dual, 70cm [Machined]	1
	16	1232325	(30000000- 40000000 ) Bumper, Head, 70cm, Skirt, Im	1
	17	1034731	(30000000- 40000000 ) Screw, Hex, M6 X 1.00 X 16, Sems, Ss	1
	18	1074344	(30000000- 40000000 ) Harness, Ele [Ring With .250m Tail]	1
	19	1210807	(30000000- 40000000 ) Wire, Tie [W/.25" Fir Tree Clip]	1
	20	130773	(30000000- 40000000 ) Tie, Cable, Nyl, 11.0l, .14w, 3.0 Max. D	2
	21	9014145	(30000000- 40000000 ) Hose, Afmkt, Pe, .375id .50od, 05ft	1
	22	1212858	(30000000- 40000000 ) Fitting, Plstc, Tee, Qf08/Qf08/Qf08	1
	23	09746	(30000000- 40000000 ) Screw, Hex, M10 X 1.50 X 90, Ss	2
	24	01684	(30000000- 40000000 ) Washer, Flat, 0.27b 0.69d .05, Ss	8
	25	08712	(30000000- 40000000 ) Nut, Hex, Lock, M6 X 1.00, NI, Ss	8
	26	1014328	(30000000- 40000000 ) Key, Sq, 05mm X 05mm, 25mml	2
	27	1071637	(30000000- 40000000 ) Hub, Drive, Brush, Disk, 17mmb	2
	28	1017218	(30000000- 40000000 ) Washer, Flat, 0.32b 1.00d .12, Ss	2
	29	12273	(30000000- 40000000 ) Screw, Hex, M8 X 1.25 X 20, NI, Ss	2
	30	1227867	(30000000- 40000000 ) Inductor, Ferrite [Split Case,407@100hz] (Australia Only)	4

▽ ASSEMBLY

▲ INCLUDED IN ASSEMBLY

SCRUB HEAD GROUP, DISK 800MM / 32IN

355423





## SCRUB HEAD GROUP, DISK 800MM / 32IN

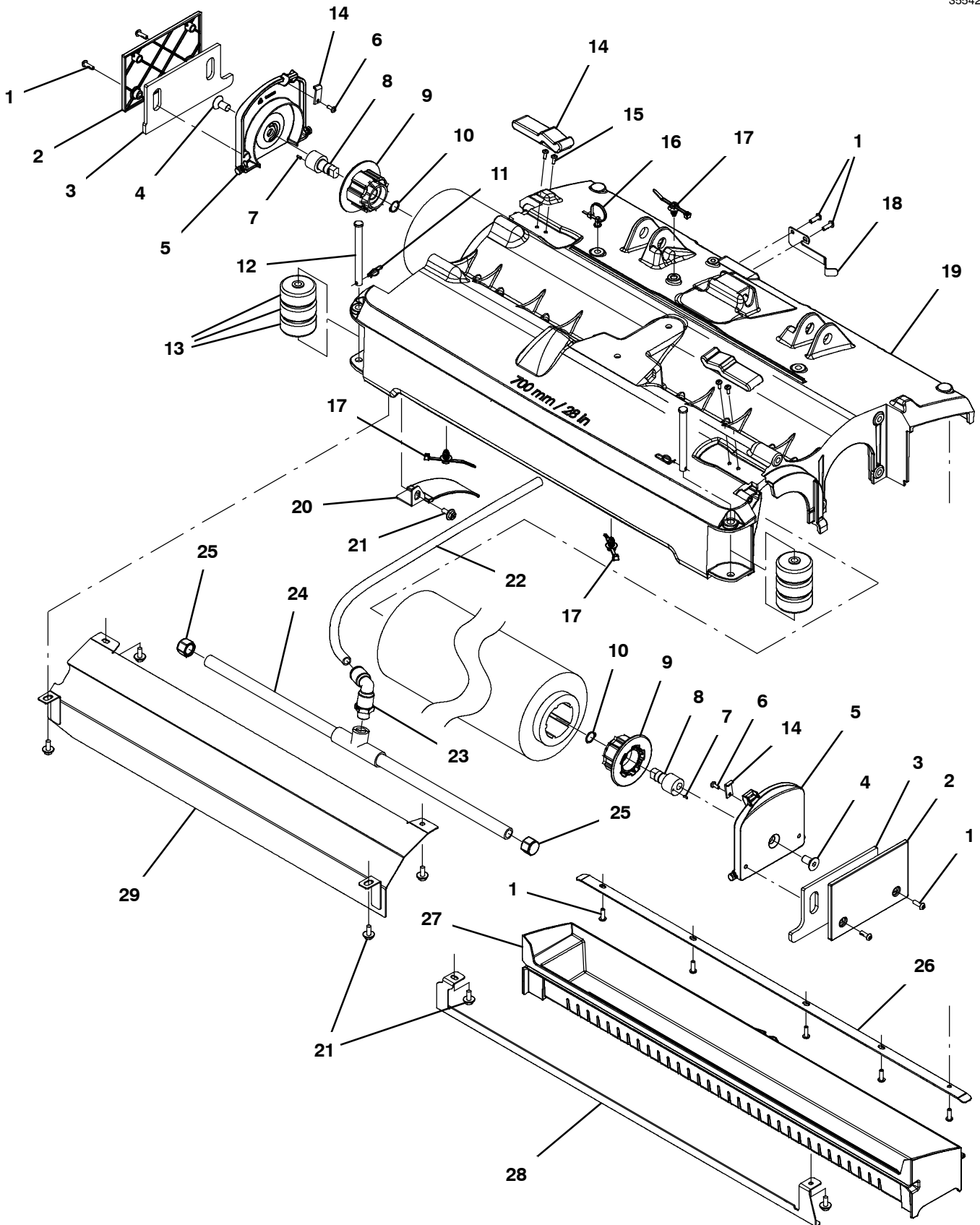
Ref.	Part No.	Serial Number	Description	Qty.
▽	1	1023067	(30000000- 40000000 ) Motor, Ele, 24vdc 0220rpm 0.75hp Gear (Australia Also Requires Qty 2 Ferrite #1227867)	2
▲	2	1031775	(30000000- 40000000 ) Brush Kit, Carbon, Motor, Replmt [T5]	1
▲	3	1031681	(30000000- 40000000 ) Harness, Connector, Brush- Motor [T5] Us	1
	4	1022549	(30000000- 40000000 ) Spacer, Shaft, 17.15b 30.0d 3.0l, Ss	2
	5	1025853	(30000000- 40000000 ) Screw, Set, M6 X 1.00 X 35, NI, Ss	8
	6	1222988	(30000000- 40000000 ) Knob, Rnd, 31.0d 27.0l M10, Plstc	2
	7	626081	(30000000- 40000000 ) Spring, Cmpr, 0.48od .04wir 03.5l	2
	8	1227865	(30000000- 40000000 ) Screw, Trs, M6 X 1.0 X 12, Phl, Ss, NI	4
	9	01684	(30000000- 40000000 ) Washer, Flat, 0.27b 0.69d .05, Ss	4
	10	397826	(30000000- 40000000 ) Screw, Btn, M8 X 1.25 X 40, Ss	2
	11	1227709	(30000000- 40000000 ) Bracket, Roller, Wall	2
	12	222496	(30000000- 40000000 ) Sleeve, P/M, 0.32b 0.50d 0.9l [430ss]	2
	13	222403	(30000000- 40000000 ) Wheel, 02.0d 0.88w 0.50b	2
	14	08713	(30000000- 40000000 ) Nut, Hex, Lock, M8 X 1.25, NI, Ss	2
	15	1234333	(30000000- 40000000 ) Housing, Disc, Dual, 80cm [Machined]	1
	16	1232326	(30000000- 40000000 ) Bumper, Head, 80cm, Skirt, Im	1
	17	1034731	(30000000- 40000000 ) Screw, Hex, M6 X 1.00 X 16, Sems, Ss	1
	18	1074344	(30000000- 40000000 ) Harness, Ele [Ring With .250m Tail]	1
	19	1210807	(30000000- 40000000 ) Wire, Tie [W/.25" Fir Tree Clip]	1
	20	130773	(30000000- 40000000 ) Tie, Cable, Nyl, 11.0l, .14w, 3.0 Max. D	2
	21	9014145	(30000000- 40000000 ) Hose, Afmkt, Pe, .375id .50od, 05ft	1
	22	1212858	(30000000- 40000000 ) Fitting, Plstc, Tee, Qf08/Qf08/Qf08	1
	23	09746	(30000000- 40000000 ) Screw, Hex, M10 X 1.50 X 90, Ss	2
	24	01684	(30000000- 40000000 ) Washer, Flat, 0.27b 0.69d .05, Ss	8
	25	08712	(30000000- 40000000 ) Nut, Hex, Lock, M6 X 1.00, NI, Ss	8
	26	1014328	(30000000- 40000000 ) Key, Sq, 05mm X 05mm, 25mml	2
	27	1071637	(30000000- 40000000 ) Hub, Drive, Brush, Disk, 17mmb	2
	28	1017218	(30000000- 40000000 ) Washer, Flat, 0.32b 1.00d .12, Ss	2
	29	12273	(30000000- 40000000 ) Screw, Hex, M8 X 1.25 X 20, NI, Ss	2
	30	1227867	(30000000- 40000000 ) Inductor, Ferrite [Split Case,407@100hz] (Australia Only)	4

▽ ASSEMBLY

▲ INCLUDED IN ASSEMBLY

SCRUB HEAD GROUP, CYLINDRICAL 700MM / 28IN

355424

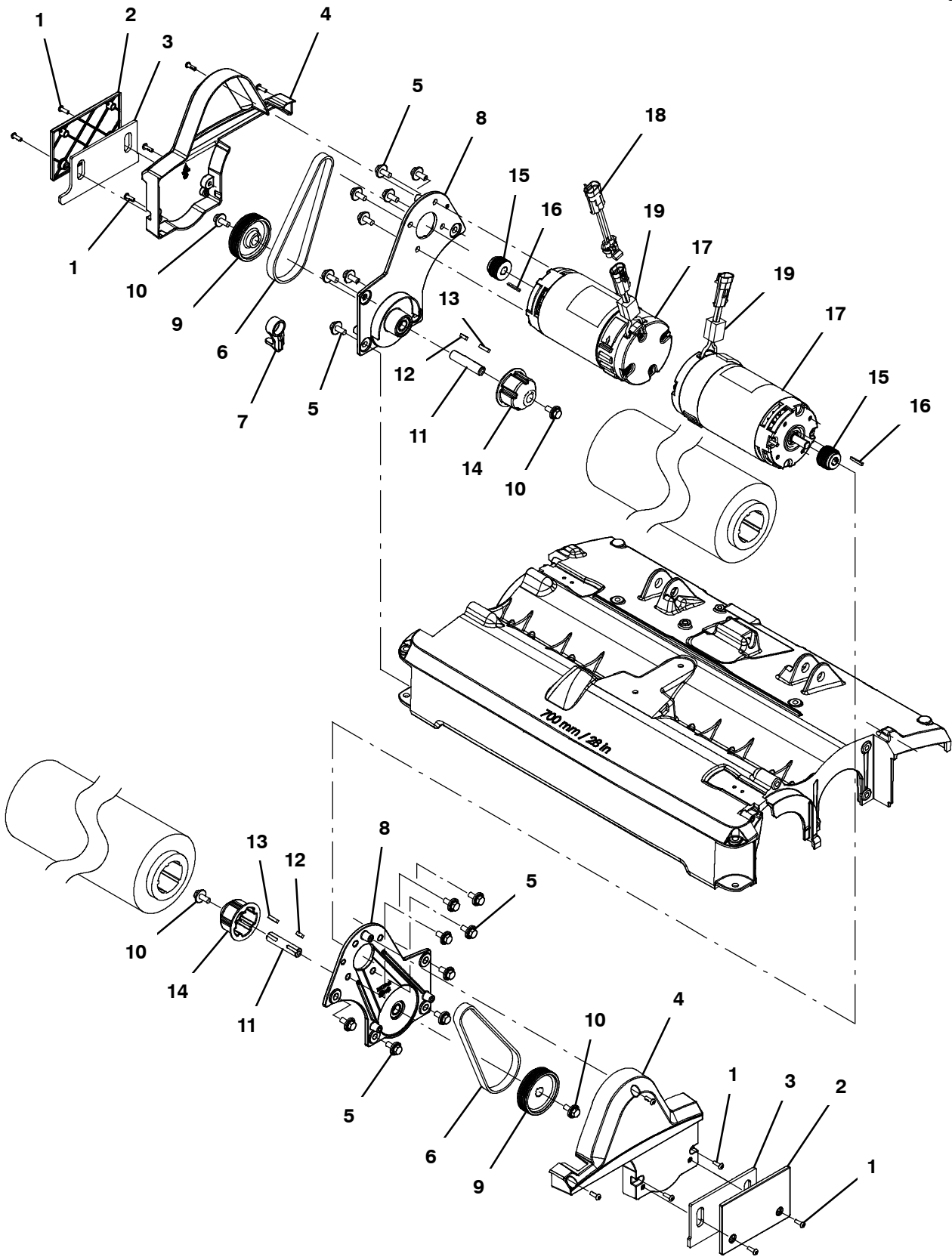


## SCRUB HEAD GROUP, CYLINDRICAL 700MM / 28IN

Ref.	Part No.	Serial Number	Description	Qty.
1	1205799	(30000000- 40000000 )	Screw, Btn, M5 X 0.8 X 16, 8.8, NI, Torx	2
2	1218032	(30000000- 40000000 )	Cover, Skirt, 2cyl [T500]	2
3	1218573	(30000000- 40000000 )	Skirt, Side, Scrub, Cyl [T500]	2
4	390996	(30000000- 40000000 )	Screw, Flt, Soc, M10 X 1.50 X 20, 10.9, NI	2
5	1218692	(30000000- 40000000 )	Door, Brush, 2cyl [Machined, T500]	1
6	49697	(30000000- 40000000 )	Screw, Pan, Phl, M4 X 0.70 X 10, Ss	6
7	222184	(30000000- 40000000 )	Pin, Roll, .094d X 0.25l, .094/.097	2
8	222177	(30000000- 40000000 )	Shaft, Plug, Idler	2
9	1057629	(30000000- 40000000 )	Plug, Idler, Brush [Sgl Brg]	2
10	01516	(30000000- 40000000 )	Ring, Retaining, Ext, 0.59d, Basic	2
11	1216647	(30000000- 40000000 )	Pin, Cotter, Hair, 0.38d .054 Wir	2
12	49914	(30000000- 40000000 )	Pin, Clevis, 0.37d X 4.00l	2
13	630477	(30000000- 40000000 )	Wheel, Pyu, 02.0d 0.38w, Gray	6
14	1207285	(30000000- 40000000 )	Latch, Draw, Rbr, W/ Keeper, Yellow	2
15	49697	(30000000- 40000000 )	Screw, Pan, Phl, M4 X 0.70 X 10, Ss	6
16	1221161	(30000000- 40000000 )	Tie, Cable, Nyl, Push Mount, 76mm Max D	1
17	1210807	(30000000- 40000000 )	Wire, Tie [W/.25" Fir Tree Clip]	3
18	1218242	(30000000- 40000000 )	Bracket, Spring, Tray, Debris [T500]	1
19	1217942	(30000000- 40000000 )	Housing, Cyl, 70cm [Machined]	1
20	1029358	(30000000- 40000000 )	Deflector, Water, Cyl Head	1
21	1034731	(30000000- 40000000 )	Screw, Hex, M6 X 1.00 X 16, Sems, Ss	7
22	9014145	(30000000- 40000000 )	Hose, Afrmkt, Pe, .375id .50od, 05ft	1
23	1212987	(30000000- 40000000 )	Fitting, Plstc, E90, Qf08/Pm06, Swivel	1
24	1046049	(30000000- 40000000 )	Tube Assy, Bar, Spray, 70cm [T5, 5680]	1
25	1025580	(30000000- 40000000 )	Fitting, Pipe, Cap, P06, Nyl	2
26	1218153	(30000000- 40000000 )	Bracket, Tray, Debris [T500]	1
27	1218144	(30000000- 40000000 )	Tray, Debris, 700mm [Im] [Rhine]	1
28	1218577	(30000000- 40000000 )	Bracket, Slide, Tray, Debris	1
29	1219969	(30000000- 40000000 )	Panel Wldt, Wrap, Brush [T500]	1

SCRUB HEAD GROUP, CYLINDRICAL 700MM / 28IN - CONT'D

355430



SCRUB HEAD GROUP, CYLINDRICAL 700MM / 28IN - CONT'D

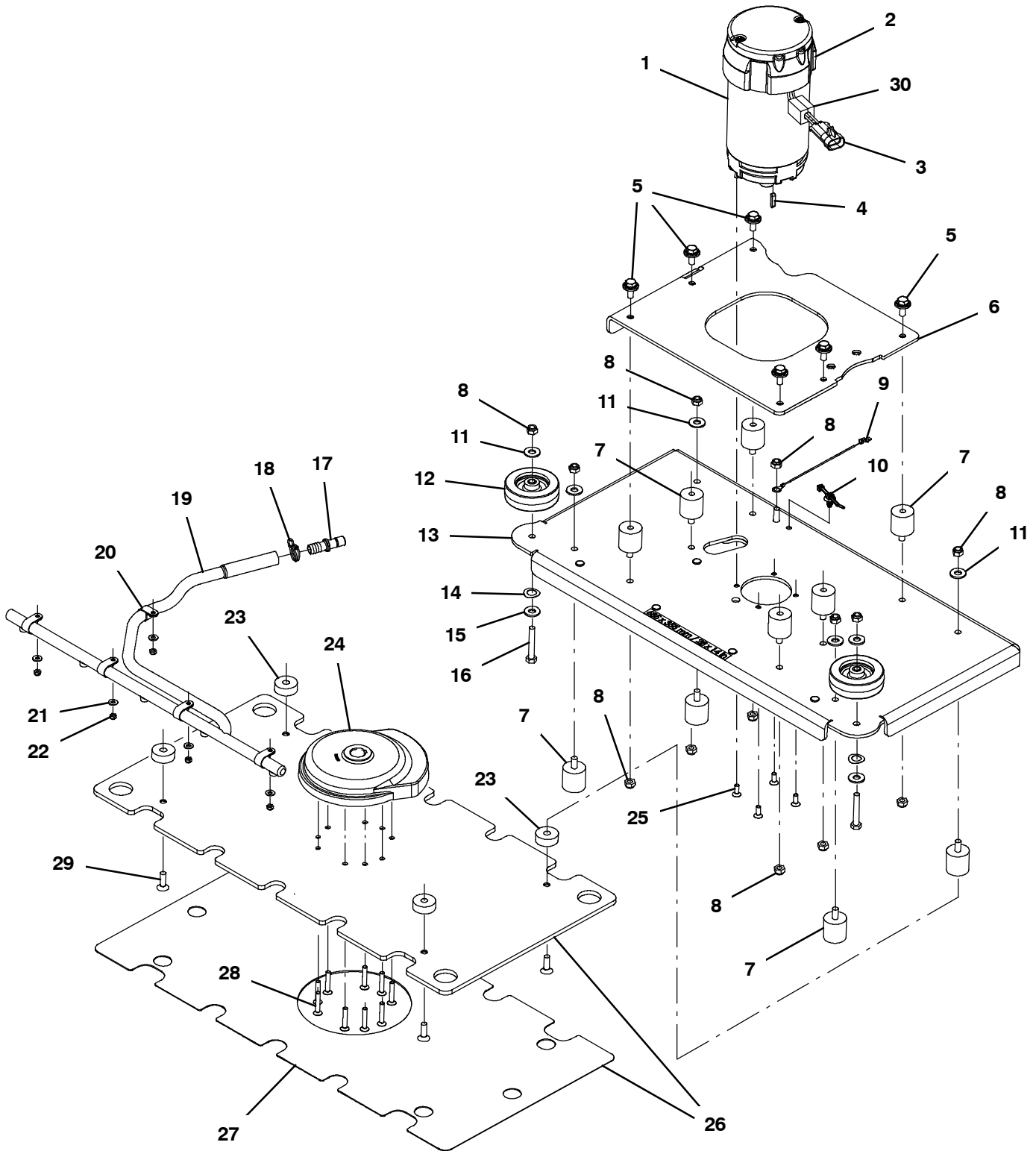
Ref.	Part No.	Serial Number	Description	Qty.
1	1205799	(30000000- 40000000 )	Screw, Btn, M5 X 0.8 X 16, 8.8, NI, Torx	12
2	1218032	(30000000- 40000000 )	Cover, Skirt, 2cyl [T500]	2
3	1218573	(30000000- 40000000 )	Skirt, Side, Scrub, Cyl [T500]	2
4	1218012	(30000000- 40000000 )	Cover, Belt, 2 Cyl [T500]	2
5	1020341	(30000000- 40000000 )	Screw, Hex, M8 X 1.25 X 20, Ss, Sems	16
▽	6	9015765	(30000000- 40000000 ) Belt Replacement Kit (Cylindrical)	1
▲		1035888	(30000000- 40000000 ) Belt, Drive, 6grv, 508 L X 14 W, [6pj]	2
▲	7	1203758	(30000000- 40000000 ) Tool, Installation, Belt	1
▽	8	9018012	(30000000- 40000000 ) Bracket Assy, Motor, Ci (Includes Bearings And Tube - Not Available Separately)	2
▲	9	1035173	(30000000- 40000000 ) Sheave, 06grv, 2.96pd 0.59b, Alm [Pj]	1
▲	10	1020341	(30000000- 40000000 ) Screw, Hex, M8 X 1.25 X 20, Ss, Sems	2
▲	11	1021050	(30000000- 40000000 ) Shaft, Drive, 15.0d X 65.5l [T5, 1610]	1
▲	12	00961	(30000000- 40000000 ) Key, Sq, 0.19 X 0.19, 0.50l	1
▲	13	00911	(30000000- 40000000 ) Key, Sq, 0.19 X 0.19, 0.75l	1
▲	14	378805	(30000000- 40000000 ) Plug, Drive, Brush, Mach	1
	15	1033528	(30000000- 40000000 ) Sheave, 06grv, 1.33pd 0.50b, Alm [Pj]	2
	16	00954	(30000000- 40000000 ) Key, Sq, 0.12 X 0.12, 1.00l	2
▽	17	1223429	(30000000- 40000000 ) Motor, Ele, 24vdc 1500rpm 0.60hp (Australia Also Requires Qty 1 Ferrite #1065665)	2
▲		1031775	(30000000- 40000000 ) Brush Kit, Carbon, Motor, Replmt [T5]	1
	18	1052895	(30000000- 40000000 ) Harness, Adapter, Motor [T7/T5]	1
	19	1065665	(30000000- 40000000 ) Inductor, 32.3mml [Ferrite 10- 250mhz] (Australia Only)	2

▽ ASSEMBLY

▲ INCLUDED IN ASSEMBLY

SCRUB HEAD GROUP, ORBITAL 700MM / 28IN

355425



SCRUB HEAD GROUP, ORBITAL 700MM / 28IN

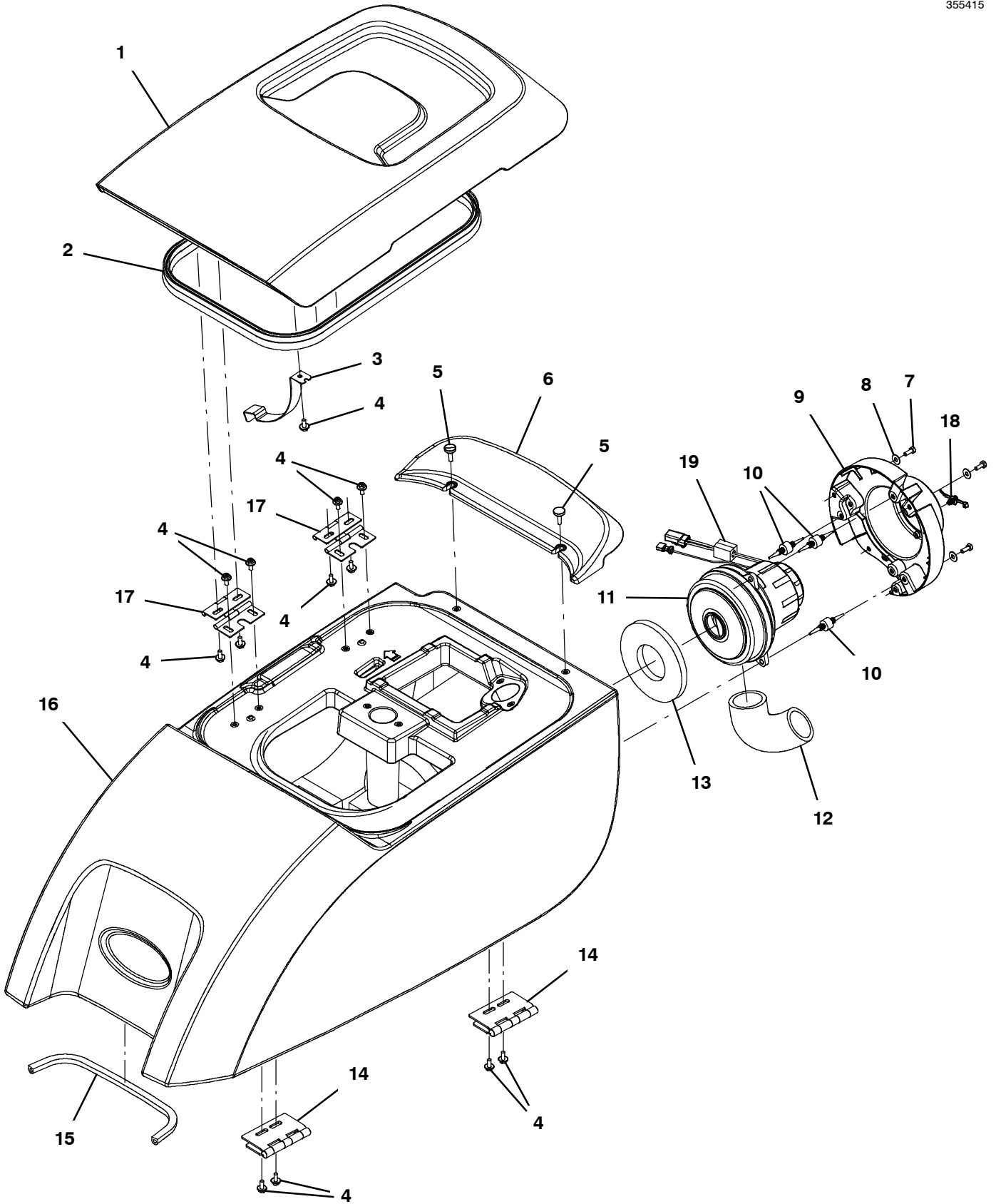
Ref.	Part No.	Serial Number	Description	Qty.
▽	1	1219913	(30000000- 40000000 ) Motor, Ele, 24vdc, 2200rpm, 0.75hp 28.0a (Australia Also Requires Qty 1 Ferrite #1065665)	1
▲	2	1059370	(30000000- 40000000 ) Brush, Motor, Replmt [Bag Of 4]	1
▲	3	1031681	(30000000- 40000000 ) Harness, Connector, Brush- Motor [T5] Us	1
	4	1231238	(30000000- 40000000 ) Key, Sq, 5mm X 5mm X 22mm	1
	5	1020341	(30000000- 40000000 ) Screw, Hex, M8 X 1.25 X 20, Ss, Sems	6
	6	1220910	(30000000- 40000000 ) Bracket Wldt, Mtg, Head	1
	7	1212543	(30000000- 40000000 ) Isolator, Neoprene, 1.25" X 1.25", M8	13
	8	08713	(30000000- 40000000 ) Nut, Hex, Lock, M8 X 1.25, NI, Ss	1
	9	1074344	(30000000- 40000000 ) Harness, Ele [Ring With .250m Tail]	1
	10	1210807	(30000000- 40000000 ) Wire, Tie [W/.25" Fir Tree Clip]	1
	11	01685	(30000000- 40000000 ) Washer, Flat, 0.38b 0.88d .08, Ss	6
	12	1014918	(30000000- 40000000 ) Wheel, 03.0d 0.88w 0.31b, W/ Bshg, Rbr	2
	13	1221766	(30000000- 40000000 ) Housing Wldt, Brush	1
	14	1210221	(30000000- 40000000 ) Washer, Wave, .515b, .875d, .013, Ss	2
	15	01685	(30000000- 40000000 ) Washer, Flat, 0.38b 0.88d .08, Ss	2
	16	49694	(30000000- 40000000 ) Screw, Hex, M8 X 1.25 X 50, Ss	2
	17	1212807	(30000000- 40000000 ) Fitting, Plstc, Str, Qm08/Bm08	1
	18	607776	(30000000- 40000000 ) Clamp, Hose, Wir, .73 - .77, Silver	1
	19	1234853	(30000000- 40000000 ) Manifold, Bar, Spray [28in]	1
	20	140916	(30000000- 40000000 ) Clamp, Cable, Nyl, 0.62d, Nat	5
	21	01683	(30000000- 40000000 ) Washer, Flat, 10, Ss	4
	22	09739	(30000000- 40000000 ) Nut, Hex, Lock, M5 X 0.80, NI, Ss	4
	23	1221850	(30000000- 40000000 ) Spacer, Head	4
	24	9015774	(30000000- 40000000 ) Eccentric Drive Kit, Orbital	1
	25	09163	(30000000- 40000000 ) Screw, Flt, Soc, M6 X 1.00 X 16, 18- 8,Ss	4
▽	26	9015416	(30000000- 40000000 ) Driver Kit, Pad, Ci [T500] (Includes Driver Plate, Driver Face, & Red Buffing Pad)	1
▲	27	1220627	(30000000- 40000000 ) Face, Pad Driver	1
	28	1212710	(30000000- 40000000 ) Screw, Flt, Soc, M6 X 1.00 X 35, 10.9,NI	6
	29	74077	(30000000- 40000000 ) Screw, Flt, Soc, M8 X 1.25 X 25, Ss	4
	30	1065665	(30000000- 40000000 ) Inductor, 32.3mml [Ferrite 10- 250mhz] (Australia Only)	1

▽ ASSEMBLY

▲ INCLUDED IN ASSEMBLY

RECOVERY TANK GROUP

355415





## RECOVERY TANK GROUP

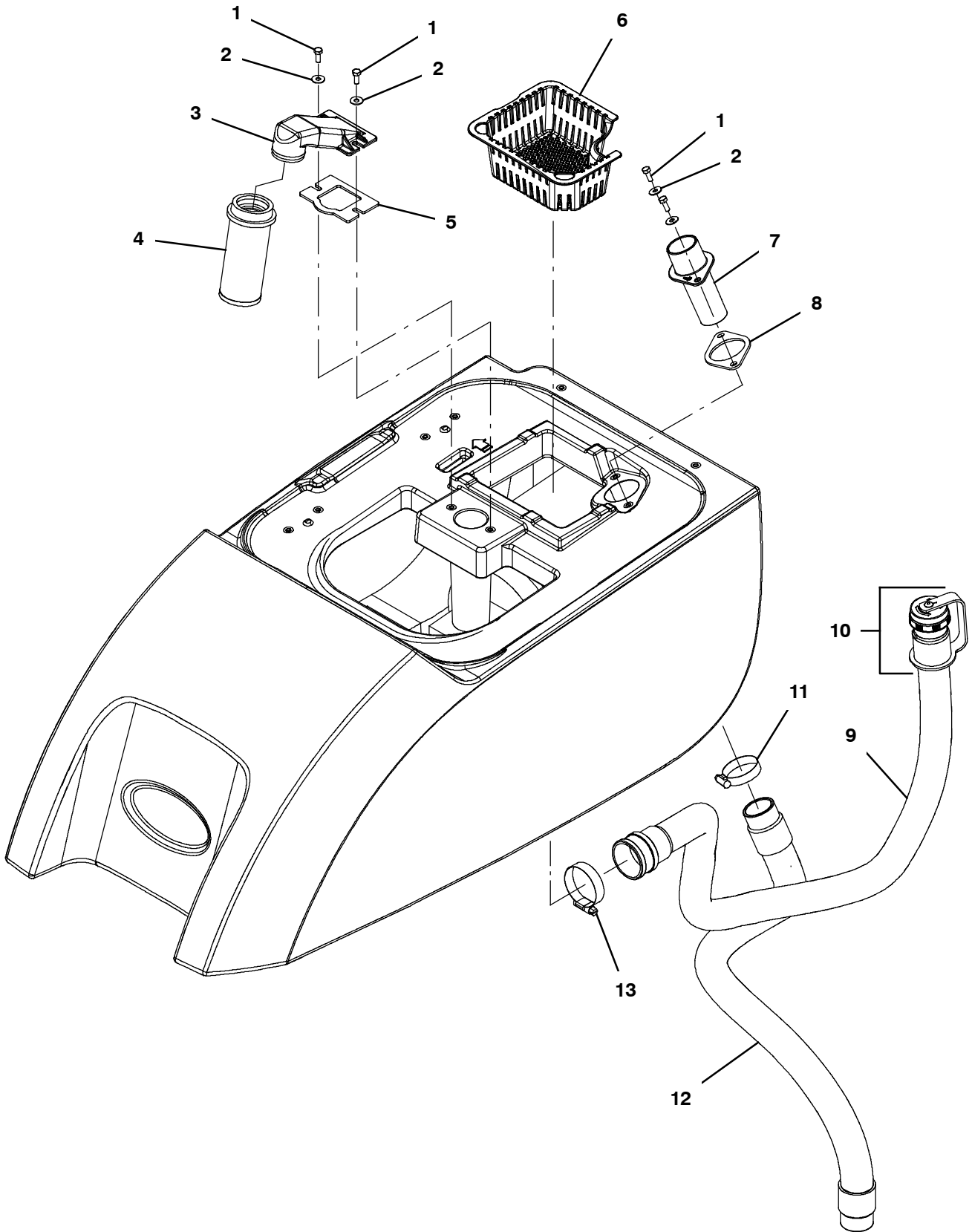
Ref.	Part No.	Serial Number	Description	Qty.
▽	1	9015751	(30000000- 40000000 ) Kit, Cover, Recvy, Ci [Ce,T500]	1
▲	2	9015756	(30000000- 40000000 ) Seal, Cover, Recvy, Ci [T500]	1
▽	1	9015752	(30000000- 40000000 ) Kit, Cover, Recvy, Ci [Jp,T500]	1
▲	2	9015756	(30000000- 40000000 ) Seal, Cover, Recvy, Ci [T500]	1
	3	1219333	(30000000- 40000000 ) Support, Lid, Recvy Tank	1
	4	1034731	(30000000- 40000000 ) Screw, Hex, M6 X 1.00 X 16, Sems, Ss	12
	5	1046631	(30000000- 40000000 ) Knob, Rnd,19.4d 7.6l M6 X 20, Plstc, Pl	2
	6	1223499	(30000000- 40000000 ) Shield, Spray, Recvy Tank	1
	7	11329	(30000000- 40000000 ) Screw, Hex, M6 X 1.00 X 16, NI, Ss	3
	8	01684	(30000000- 40000000 ) Washer, Flat, 0.27b 0.69d .05, Ss	3
	9	1207368	(30000000- 40000000 ) Mount, Vacfan, 5.7/6.6	1
	10	1062016	(30000000- 40000000 ) Isolator, Vib, .75d	3
▽	11	1226905	(30000000- 40000000 ) Fan, Vacuum, 6.6d, 024vdc, 2 Stage (Australia Also Requires Qty 1 Ferrite #1065665)	1
▲		1206774	(30000000- 40000000 ) Vr, Brush Kit, Motor, Fan	1
	12	1068577	(30000000- 40000000 ) Muffler, Exhaust, Vacfan, 150mml [T2/T3]	1
	13	100038	(30000000- 40000000 ) Gasket, .50, 02.63id 05.75od, Adh [Epdm]	1
	14	1217669	(30000000- 40000000 ) Hinge Assy, 7.0 Pin, 11 Ga, 100l X 105w	2
	15	9015757	(30000000- 40000000 ) Seal, Tank, Recvy, Ci [T500/T500e]	1
	16	9015760	(30000000- 40000000 ) Kit, Tank, Recvy, Ci [T500]	1
	17	1219334	(30000000- 40000000 ) Hinge, 4mm Pin, 2.0thk X 83.0mmw, 3 Leaf	2
	18	1210807	(30000000- 40000000 ) Wire, Tie [W/.25" Fir Tree Clip]	1
	19	1065665	(30000000- 40000000 ) Inductor, 32.3mml [Ferrite 10- 250mhz] (Australia Only)	1

▽ ASSEMBLY

▲ INCLUDED IN ASSEMBLY

RECOVERY TANK FILTER AND HOSE GROUP, STANDARD SCREW CAP

355416



RECOVERY TANK FILTER AND HOSE GROUP, STANDARD SCREW CAP

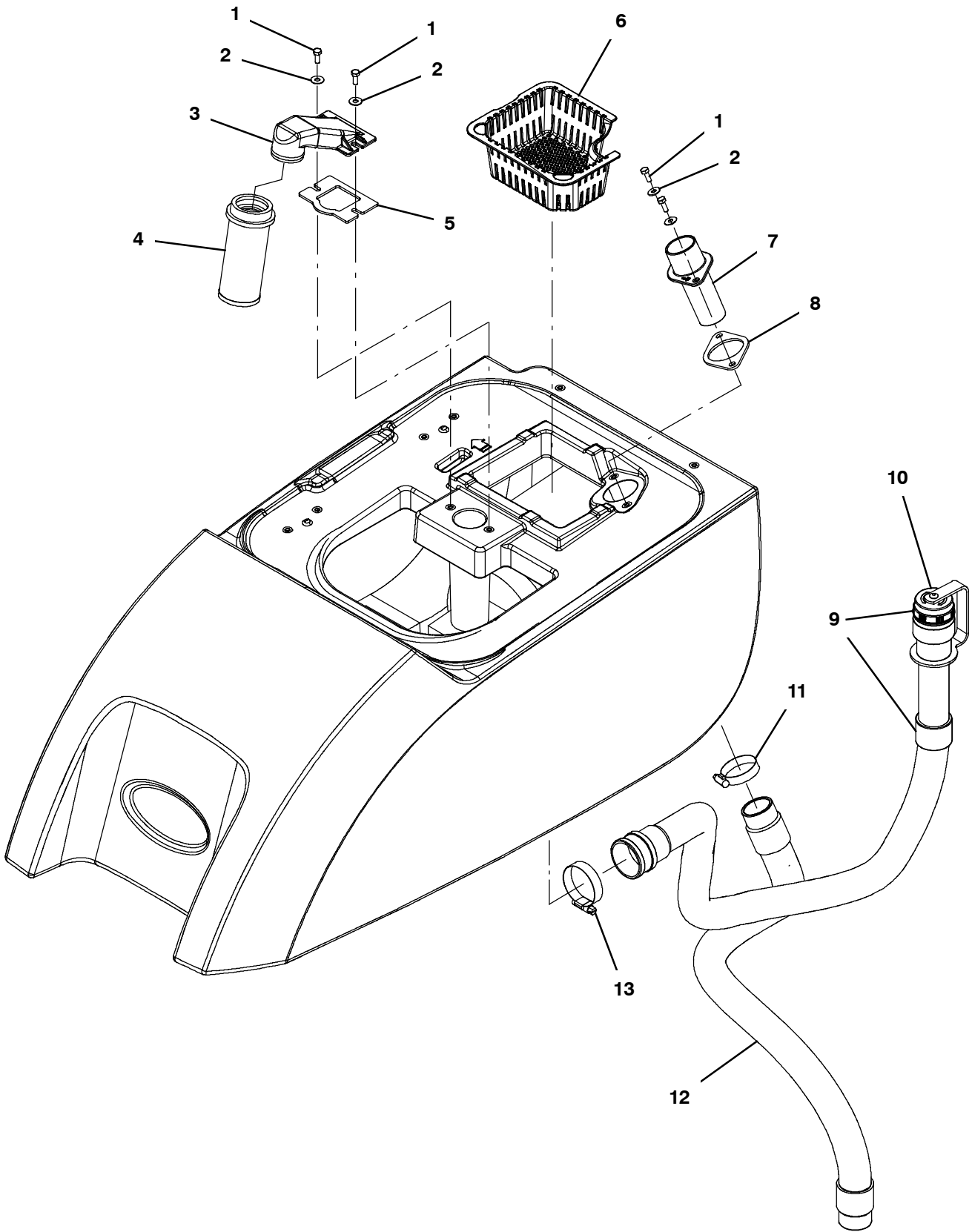
Ref.	Part No.	Serial Number	Description	Qty.
1	11329	(30000000- 40000000 )	Screw, Hex, M6 X 1.00 X 16, NI, Ss	2
2	01684	(30000000- 40000000 )	Washer, Flat, 0.27b 0.69d .05, Ss	2
3	1011777	(30000000- 40000000 )	Mount, Float, Mold	1
4	630052	(30000000- 40000000 )	Float, Shut- Off, (2)Ball, 1.75d	1
5	1013628	(30000000- 40000000 )	Gasket, Mtg, Float, .125th, Neo, Adh	1
6	1207357	(30000000- 40000000 )	Tray, Debris, Tank, Recvy [T300]	1
7	1219618	(30000000- 40000000 )	Tube, Hose, Adapter, 1.5d [T500]	1
8	1037106	(30000000- 40000000 )	Gasket, Adapter, Hose .13, Neo	1
▽	9	(30000000- MAY2020 )	Hose Assy, Drain, 1.5d 016l 1.5/Cap[Pvc] (Black - Standard) (Replaced by 1248221 - Pinch Cuff Screw Cap Style)	1
▲▽	10	(30000000- 40000000 )	Cap, Drain Assy [Black]	1
▲▲	1008637	(30000000- 40000000 )	Seal, Org, 1.48id 1.76od	1
▽	9	(30000000- xxxxxxxx )	Hose Assy, Drain, 1.5d 029l 1.5/Cap[Pu] (Gray - Option) (No Longer Available - Replaced by 1247083)	1
▲▽	10	(30000000- 40000000 )	Cap, Drain Assy [Gray]	1
▲▲	1008637	(30000000- 40000000 )	Seal, Org, 1.48id 1.76od	1
11	11531	(30000000- 40000000 )	Clamp, Hose, Wormdrive, 1.06- 2.00d, .56w	1
12	1211220	(30000000- 40000000 )	Hose Assy,W/2cuff,1.5d 022l 1.5/1.5[Pvc] (Black - Standard)	1
12	1224414	(30000000- 40000000 )	Hose Assy, W/2cuff,1.5d 033l 1.5/1.5[Pu] (Gray - Option)	1
13	22297	(30000000- 40000000 )	Clamp, Hose, Wormdrive, 1.56- 2.50d, .50w	1

▽ ASSEMBLY

▲ INCLUDED IN ASSEMBLY

RECOVERY TANK FILTER AND HOSE GROUP, PINCH CUFF SCREW CAP

355732



RECOVERY TANK FILTER AND HOSE GROUP, PINCH CUFF SCREW CAP

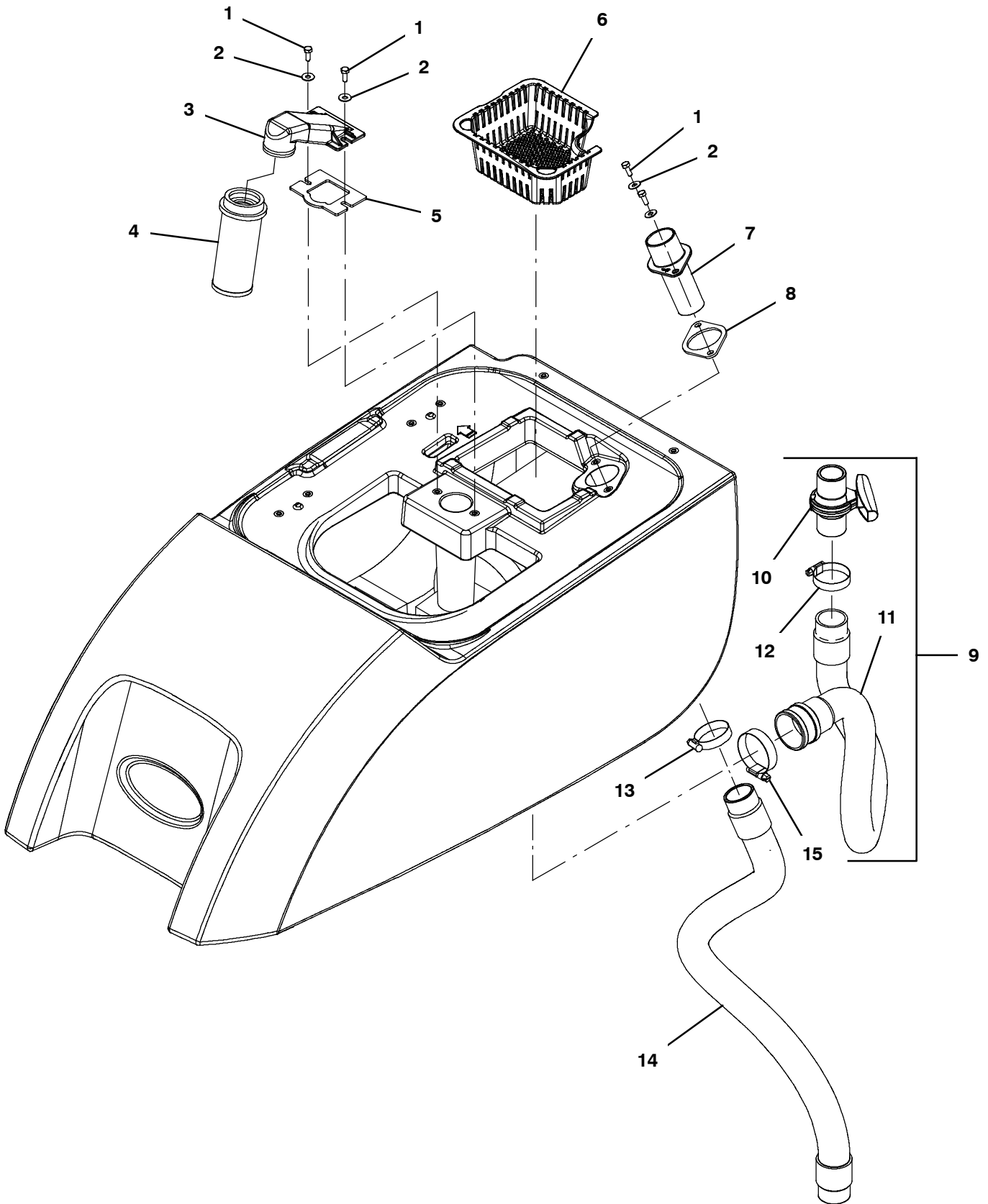
Ref.	Part No.	Serial Number	Description	Qty.	
1	11329	(30000000- 40000000 )	Screw, Hex, M6 X 1.00 X 16, NI, Ss	2	
2	01684	(30000000- 40000000 )	Washer, Flat, 0.27b 0.69d .05, Ss	2	
3	1011777	(30000000- 40000000 )	Mount, Float, Mold	1	
4	630052	(30000000- 40000000 )	Float, Shut- Off, (2)Ball, 1.75d	1	
5	1013628	(30000000- 40000000 )	Gasket, Mtg, Float, .125th, Neo, Adh	1	
6	1207357	(30000000- 40000000 )	Tray, Debris, Tank, Recvy [T300]	1	
7	1219618	(30000000- 40000000 )	Tube, Hose, Adapter, 1.5d [T500]	1	
8	1037106	(30000000- 40000000 )	Gasket, Adapter, Hose .13, Neo	1	
▽	9	(xxxxxxx- 40000000 )	Hose Assy, Drain, 1.5id X 26.4l [Pu] (Gray - Option)	1	
▲▽	10	(30000000- 40000000 )	Cap, Drain Assy [Gray]	1	
▲▲	1008637	(30000000- 40000000 )	Seal, Org, 1.48id 1.76od	1	
	11	11531	(30000000- 40000000 )	Clamp, Hose, Wormdrive, 1.06- 2.00d, .56w	1
	12	1224414	(30000000- 40000000 )	Hose Assy, W/2cuff, 1.5d 033l 1.5/1.5[Pu] (Gray - Option)	1
	13	22297	(30000000- 40000000 )	Clamp, Hose, Wormdrive, 1.56- 2.50d, .50w	1

▽ ASSEMBLY

▲ INCLUDED IN ASSEMBLY

RECOVERY TANK FILTER AND HOSE GROUP, CONTROL VALVE (JAPAN)

355479



RECOVERY TANK FILTER AND HOSE GROUP, CONTROL VALVE (JAPAN)

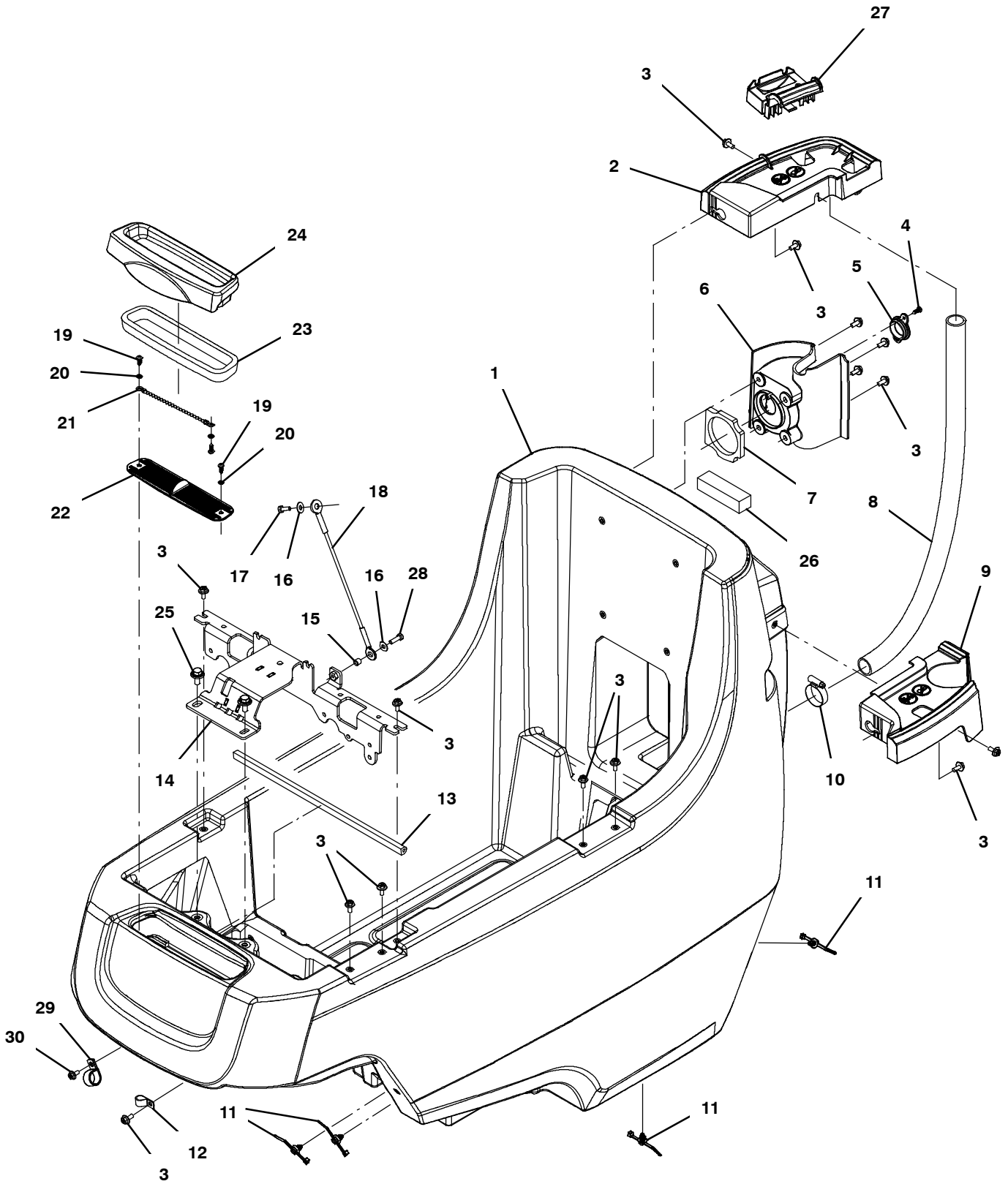
Ref.	Part No.	Serial Number	Description	Qty.
1	11329	(30000000- 40000000 )	Screw, Hex, M6 X 1.00 X 16, NI, Ss	2
2	01684	(30000000- 40000000 )	Washer, Flat, 0.27b 0.69d .05, Ss	2
3	1011777	(30000000- 40000000 )	Mount, Float, Mold	1
4	630052	(30000000- 40000000 )	Float, Shut- Off, (2)Ball, 1.75d	1
5	1013628	(30000000- 40000000 )	Gasket, Mtg, Float, .125th, Neo, Adh	1
6	1207357	(30000000- 40000000 )	Tray, Debris, Tank, Recvy [T300]	1
7	1219618	(30000000- 40000000 )	Tube, Hose, Adapter, 1.5d [T500]	1
8	1037106	(30000000- 40000000 )	Gasket, Adapter, Hose .13, Neo	1
▽	9	9015726 (30000000- xxxxxxxx )	Hose Kit, Drain, Pu, W/ Valve, Ci[T500] (Gray) (No Longer Available - Replaced by Gray Pinch Cuff Screw Cap 1247083)	1
▲	10	1051986 (30000000- xxxxxxxx )	Valve, Ball, 2way, 1.0id Pvc, W/Handle (No Longer Available - Replaced by Gray Pinch Cuff Screw Cap 1247083)	1
▲	11	1225817 (30000000- xxxxxxxx )	Hose Assy, W/2cuff,1.5d 0271 2.0/1.5[Pu] (Gray) (No Longer Available - Replaced by Gray Pinch Cuff Screw Cap 1247083)	1
▲	12	11531 (30000000- 40000000 )	Clamp, Hose, Wormdrive, 1.06- 2.00d, .56w	1
	13	11531 (30000000- 40000000 )	Clamp, Hose, Wormdrive, 1.06- 2.00d, .56w	1
	14	1224414 (30000000- 40000000 )	Hose Assy, W/2cuff,1.5d 0331 1.5/1.5[Pu] (Gray)	1
	15	22297 (30000000- 40000000 )	Clamp, Hose, Wormdrive, 1.56- 2.50d, .50w	1

▽ ASSEMBLY

▲ INCLUDED IN ASSEMBLY

SOLUTION TANK GROUP

355414



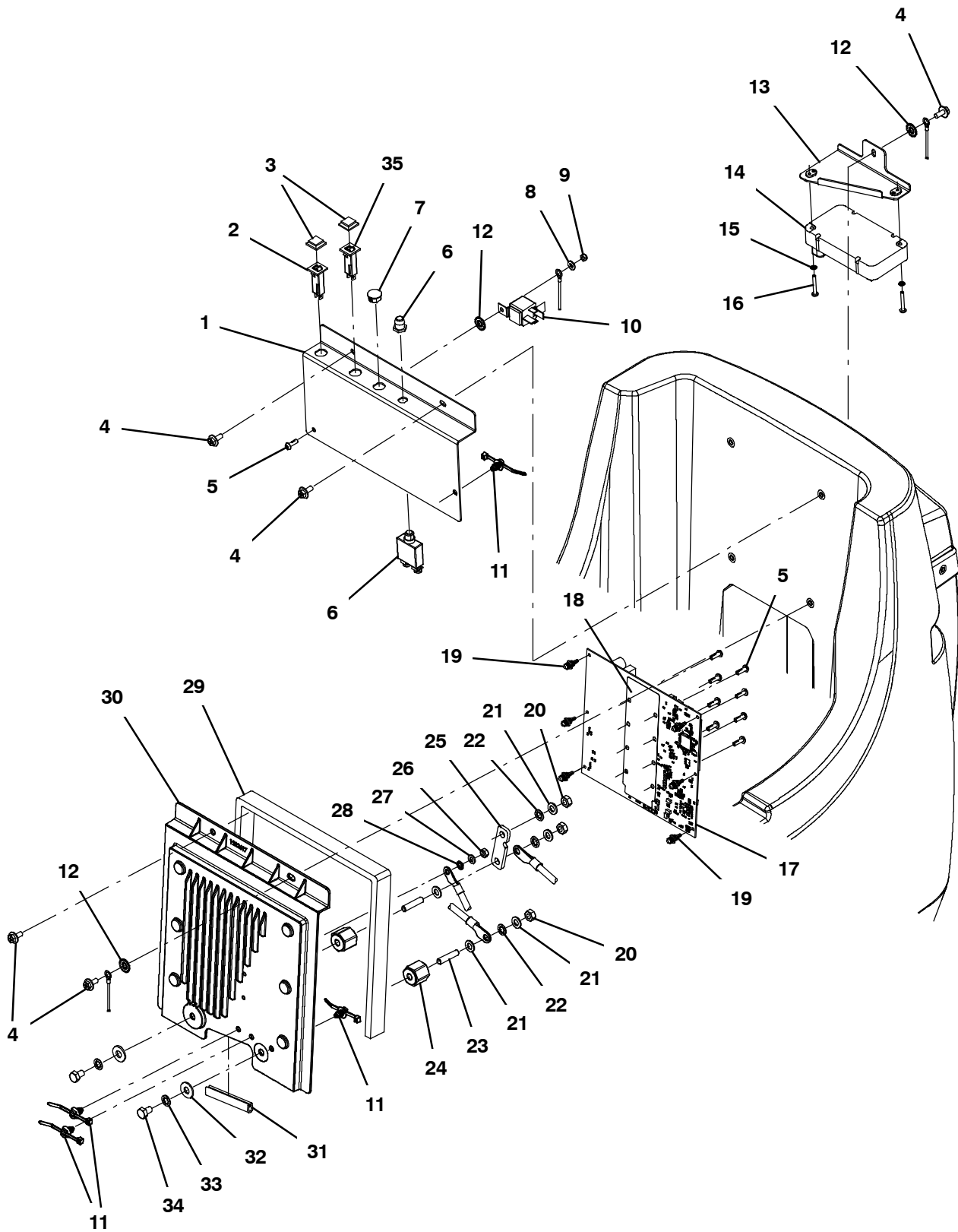


## SOLUTION TANK GROUP

Ref.	Part No.	Serial Number	Description	Qty.
1	1217505	(30000000- 40000000 )	Tank, Soltn, Rm- TI Trmmd [Rhine]	1
2	1237555	(30087239- 40000000 )	Tray, Accssry, Rh, [T500]	1
2	1218444	(30000000- 30087238 )	Tray, Accssry, Rh, [Rhine] (Replaced By 1237555)	1
3	1034731	(30000000- 40000000 )	Screw, Hex, M6 X 1.00 X 16, Sems, Ss	15
4	1018155	(30000000- 40000000 )	Screw, Pan, Phl, M5 X 0.80 X 16, Tcut,Ss	1
5	1012965	(30000000- 40000000 )	Cap, Port, Soltn Fill	1
6	1225412	(30000000- 40000000 )	Cover, Standard- Fill	1
7	1220263	(30000000- 40000000 )	Seal, Bulk Head, Water	1
8	9015728	(30000000- 40000000 )	Hose Kit, Drain, Soln, Ci [T500/T500e]	1
9	1218443	(30000000- 40000000 )	Tray, Accssry, Lh, [Rhine]	1
10	11399	(30000000- 40000000 )	Clamp, Hose, Wormdrive, 0.81- 1.50d, .50w	1
11	1210807	(30000000- 40000000 )	Wire, Tie [W/.25" Fir Tree Clip]	4
12	140300	(30000000- 40000000 )	Clamp, Cable, Stl, 0.50d [Insulated]	1
13	1066431	(30000000- 40000000 )	Seal, Afrmkt, Bulb, Dual, 03ft [F/.30gap]	1
14	1221012	(30000000- 40000000 )	Bracket Wldt, Actuator	1
15	140154	(30000000- 40000000 )	Sleeve, P/M, 0.25b 0.38d 0.3l, PI	1
16	01684	(30000000- 40000000 )	Washer, Flat, 0.27b 0.69d .05, Ss	2
17	11329	(30000000- 40000000 )	Screw, Hex, M6 X 1.00 X 16, NI, Ss	1
18	1221803	(30000000- 40000000 )	Cable, Glv .13d 10.5l .38eye /.38eye	1
19	1018155	(30000000- 40000000 )	Screw, Pan, Phl, M5 X 0.80 X 16, Tcut,Ss	3
20	07514	(30000000- 40000000 )	Washer, Lock, Int, 10, Ss	3
21	621443	(30000000- 40000000 )	Chain, Ball, 10, 0157mml, Ss	1
22	1219917	(30000000- 40000000 )	Screen, Fltr, 2.0 X 8.7	1
23	9015758	(30000000- 40000000 )	Seal, Tank, Soltn, Ci [T500/T500e]	1
24	9015788	(30000000- 40000000 )	Kit, Cover, Fill [T500/T500e Ce]	1
24	9015789	(30000000- 40000000 )	Kit, Cover, Fill [T500/T500e Ce][Ech2o]	1
24	1218043	(30000000- 40000000 )	Cover, Fill, Front (Japan Non ec- H2O Models)	1
24	9015759	(30000000- 40000000 )	Kit, Cover, Fill [T500/T500e] (Japan ec- H2O Models)	1
25	1020341	(30000000- 40000000 )	Screw, Hex, M8 X 1.25 X 20, Ss, Sems	2
26	1229734	(30000000- 40000000 )	Seal, Neo, 0.88, 1.00w 3.6l Adh	1
27	1214292	(30000000- 40000000 )	Bracket, Hanger, Rail, Lrg (Option)	1
28	12277	(30000000- 40000000 )	Screw, Hex, M6 X 1.00 X 20, NI, Ss	1
29	40678- 1	(30000000- 40000000 )	Clamp, Cable, Stl, 0.88d X 0.62w, 1hole (Non ABW Models)	1
30	1034731	(30000000- 40000000 )	Screw, Hex, M6 X 1.00 X 16, Sems, Ss (Non ABW Models)	1

STANDARD ELECTRICAL GROUP

355442



## STANDARD ELECTRICAL GROUP

Ref.	Part No.	Serial Number	Description	Qty.	
1	1218761	(30000000- 40000000 )	Bracket, Mtg [Circuitbreakers- T500]	1	
2	1208816	(30000000- 40000000 )	Circuitbreaker, 04.0a, Resetable	1	
3	1064191	(30000000- 40000000 )	Boot, Circuitbreaker	2	
4	1034731	(30000000- 40000000 )	Screw, Hex, M6 X 1.00 X 16, Sems, Ss	5	
5	1205799	(30000000- 40000000 )	Screw, Btn, M5 X 0.8 X 16, 8.8, NI, Torx	9	
6	383729	(30000000- 40000000 )	Circuitbreaker, 60.0a	1	
7	1058340	(30000000- 40000000 )	Plug, Hole, Rnd, 0.63h 0.1l, Blk (Models without Spray Wand Option)	1	
8	01683	(30000000- 40000000 )	Washer, Flat, 10, Ss	1	
9	09739	(30000000- 40000000 )	Nut, Hex, Lock, M5 X 0.80, NI, Ss	1	
10	1228510	(30000000- 40000000 )	Relay, 24vdc, 80a, Spst No, Plug- In	1	
11	1210807	(30000000- 40000000 )	Wire, Tie [W/.25" Fir Tree Clip]	4	
12	41140	(30000000- 40000000 )	Washer, Lock, Int- Ext, 0.25	3	
13	1223824	(30000000- 40000000 )	Bracket Wldt, Mtg, Cntrl, [T300/T300e]	1	
14	9015776*	(30000000- 40000000 )	Drive Module Kit, Ci	1	
15	02938	(30000000- 40000000 )	Washer, Lock, Int, 08, Ss	2	
16	33931	(30000000- 40000000 )	Screw, Pan, Phl, M4 X 0.70 X 30, Ss	2	
▽	17	9015784	(30000000- 40000000 )	Kit, Control Board, Ci [T500]	1
▲		27964	(30000000- 40000000 )	Strap, Ground, Static, Disposable	1
▲		1071235	(30000000- 40000000 )	Cable [Usb, 2m, A- Male To Mini- B- Male]	1
18	1220930	(30000000- 40000000 )	Circuitboard, Silpad [T500, Main Scrub]	1	
19	1209448	(30000000- 40000000 )	Standoff, Circuitboard, .25	1	
20	41361	(30000000- 40000000 )	Nut, Hex, Std, M8 X 1.25, Brs	6	
21	1209373	(30000000- 40000000 )	Washer, Flat, M8.4b X 16d X 1.6, Brs	3	
22	43952	(30000000- 40000000 )	Washer, Lock, Int, 0.31, Ss	5	
23	607461	(30000000- 40000000 )	Screw, Set, M8 X 1.25 X 35, NI	3	
24	1205345	(30000000- 40000000 )	Stand- Off, Wir, M8, Insulator, Panel	2	
25	1212780	(30000000- 40000000 )	Busbar, 125a 0.188 0.750w 2.638l	2	
26	1061910	(30000000- 40000000 )	Nut, Hex, Std, M6 X 1.00, Brs	1	
27	1061918	(30000000- 40000000 )	Washer, Flat, 0.25b 0.47d .06, Brs	1	
28	07515	(30000000- 40000000 )	Washer, Lock, Int, 0.25, Ss	1	
29	1219045	(30000000- 40000000 )	Gasket, Cover, Circuitboard	1	
30	1234401	(30000000- 40000000 )	Heatsink, Mtg, Circuitboard, Machined	1	
31	1020174	(30000000- 40000000 )	Molding, Afmkt, Trim, Pvc, .08 .11, 03ft	1	
32	01685	(30000000- 40000000 )	Washer, Flat, 0.38b 0.88d .08, Ss	2	
33	32984	(30000000- 40000000 )	Washer, Lock, Int, 0.31	2	
34	386868	(30000000- 40000000 )	Screw, Hex, M8 X 1.25 X 12, Ss	2	
35	1064187	(30000000- 40000000 )	Circuitbreaker, 10.0a, Resetable	1	

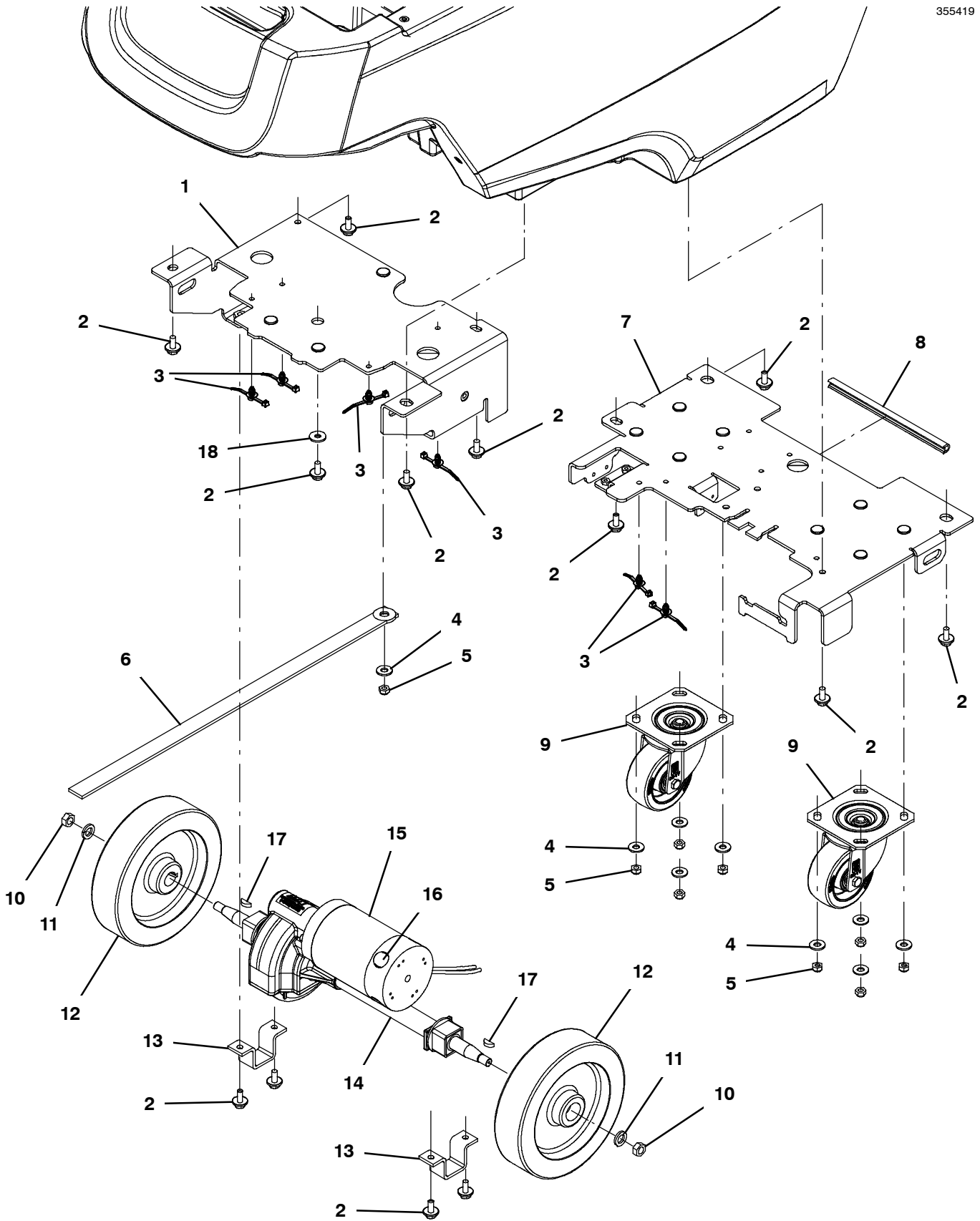
\* Requires Tennant *True* service or an authorized Tennant service provider.

▽ ASSEMBLY

▲ INCLUDED IN ASSEMBLY

FRAME AND DRIVE GROUP

355419



FRAME AND DRIVE GROUP

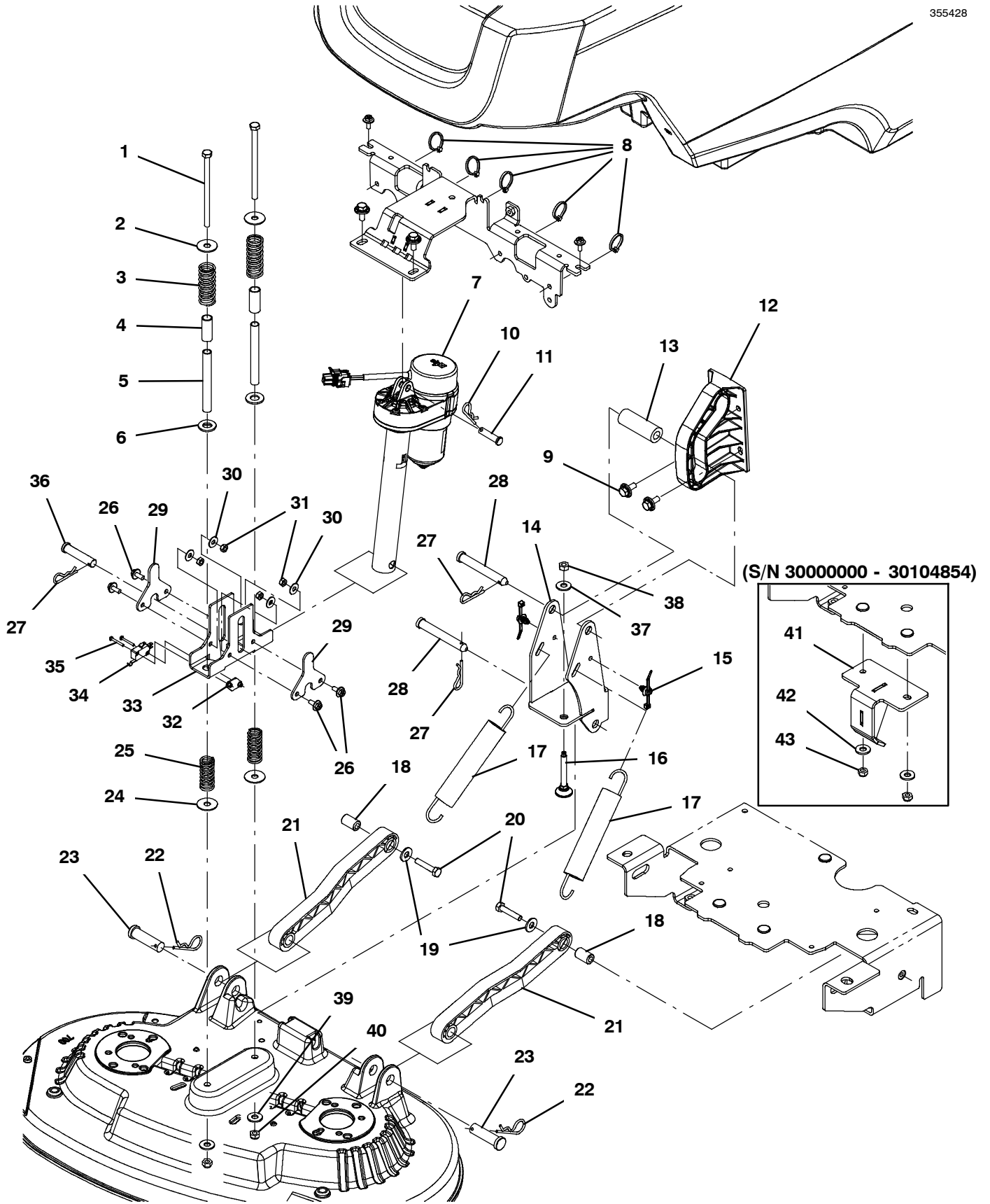
Ref.	Part No.	Serial Number	Description	Qty.
1	1219118	(30000000- 40000000 )	Frame Wldt, Front [T500]	1
2	1020341	(30000000- 40000000 )	Screw, Hex, M8 X 1.25 X 20, Ss, Sems	13
3	1210807	(30000000- 40000000 )	Wire, Tie [W/.25" Fir Tree Clip]	6
4	01685	(30000000- 40000000 )	Washer, Flat, 0.38b 0.88d .08, Ss	9
5	08713	(30000000- 40000000 )	Nut, Hex, Lock, M8 X 1.25, NI, Ss	9
6	71579	(30000000- 40000000 )	Strap, Static, W/Grommet, .19 1.1w 25.0l	1
7	1219137	(30000000- 40000000 )	Frame Wldt, Rear [T500]	1
8	1020168	(30000000- 40000000 )	Molding, Afrmkt, Trim, Pvc, .08 .11, 01ft	1
9	1212422	(30000000- 40000000 )	Caster, Swivel [Wicke 224051]	2
10	09741	(30000000- 40000000 )	Nut, Hex, Lock, M12 X 1.75, NI, Ss	2
11	140058	(30000000- 40000000 )	Washer, Flat, 0.54b 0.88d .06, Ss [Wand]	2
▽	9004909	(30000000- 40000000 )	Wheel Kit, Solid, Ci [T5 T5e Ss5]	1
▲	12 1223583	(30000000- 40000000 )	Wheel, Scrbr, 213mm, W/ Taper	2
	13 606001	(30000000- 40000000 )	Bracket, Mtg, Transaxle, Pl [1510, T5]	2
▽	14 1220970	(30000000- 40000000 )	Transaxle, Ele, 24vdc, 107rpm [Asi, 4]	1
▲	612874	(30000000- 40000000 )	Coupling, Transaxle, Replmt	1
▲	612880	(30000000- 40000000 )	Joint, Transaxle, Replmt	1
▲▽	15 1031723	(30000000- 40000000 )	Motor, Transaxle, 24vdc, Afrmkt [T5]	1
▲▲	16 614166	(30000000- 40000000 )	Brush Kit, Carbon, Transaxle, Replmt [4]	1
▲	17 1021167	(30000000- 40000000 )	Key, Woodruff, 5mm	2
	18 39890	(30000000- 40000000 )	Washer, Flat, M8, Fendr	1

▽ ASSEMBLY

▲ INCLUDED IN ASSEMBLY

HEAD LIFT GROUP, DISK

355428

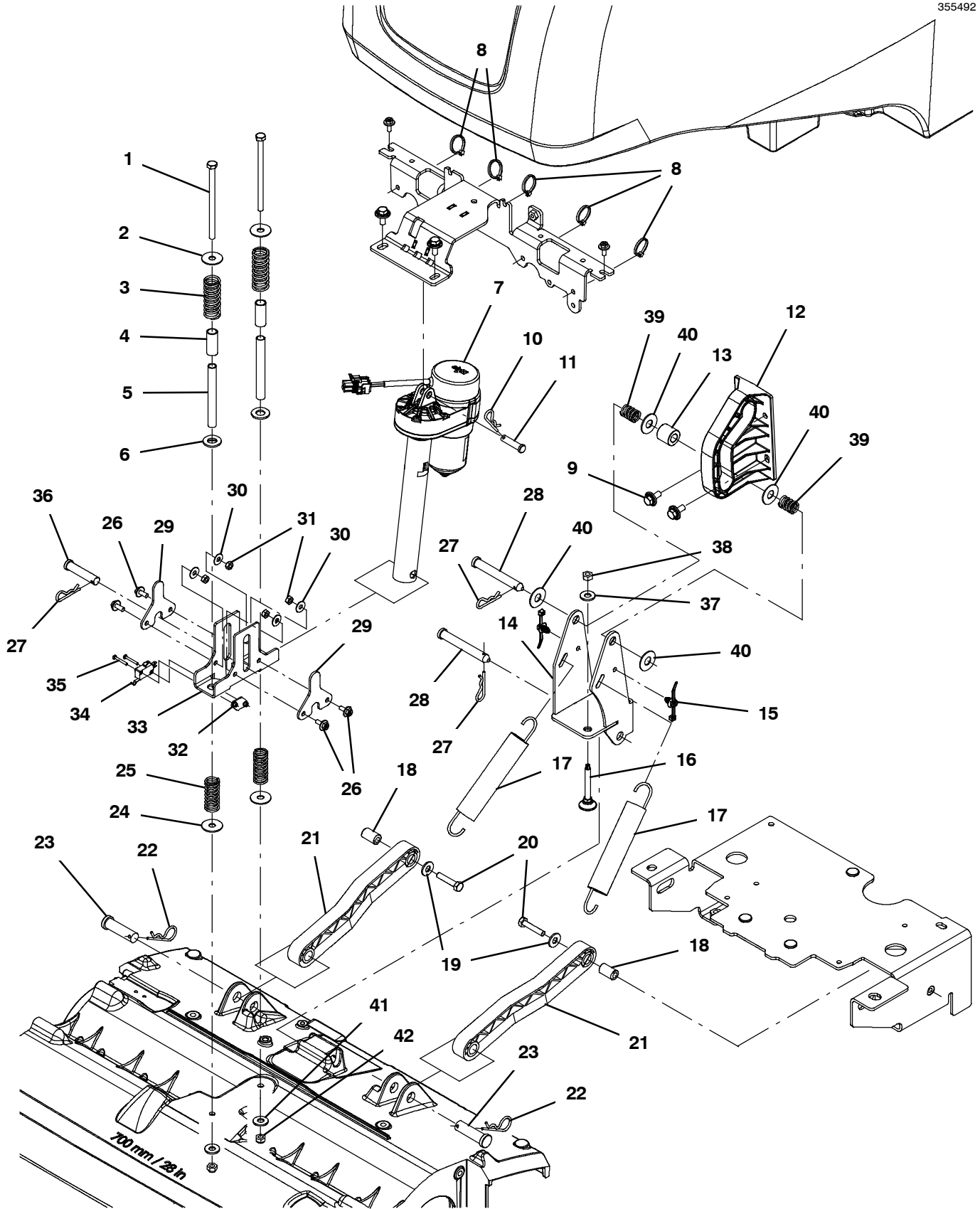


## HEAD LIFT GROUP, DISK

Ref.	Part No.	Serial Number	Description	Qty.
1	387431	(30000000- 40000000 )	Screw, Hex, M8 X 1.25 X 130, Ss	2
2	32662	(30000000- 40000000 )	Washer, Flat, 0.38b 1.22d .06, Ss	2
3	45261	(30000000- 40000000 )	Spring, Cmpr, 0.97od .11wir 02.5l	2
4	1224334	(30000000- 40000000 )	Sleeve, P/M, 0.51b 0.63d 1.5l, Pl	2
5	1219491	(30000000- 40000000 )	Sleeve, 0.40id .50d 4.25l, Ss	2
6	32486	(30000000- 40000000 )	Washer, Flat, 0.53b 1.06d .10, Stl, Pl	2
7	1221206	(30000000- 40000000 )	Actuator, 24vdc, 07.0strk, 0600lb	1
8	49263	(30000000- 40000000 )	Tie, Cable, Nyl, 11.4l .19w 3.0 Max D	5
9	1020341	(30000000- 40000000 )	Screw, Hex, M8 X 1.25 X 20, Ss, Sems	4
10	140626	(30000000- 40000000 )	Pin, Cotter, Hair, 0.25d .125 Wir	1
11	29558	(30000000- 40000000 )	Pin, Clevis, 0.37d X 1.50l	1
12	1219912	(30000000- 40000000 )	Bracket, Guide, Head[T500]	1
13	1220305	(30000000- 40000000 )	Tube, Plstc, 0.51id 0.98od 02.8l	1
14	1221507	(30000000- 40000000 )	Pivot Wldt, Head, Scrub [T500]	1
15	1210807	(30000000- 40000000 )	Wire, Tie [W/.25" Fir Tree Clip]	2
16	1227530	(30000000- 40000000 )	Screw, Leveler, M8x75	1
17	222363	(30000000- 40000000 )	Spring, Extn, 1.23od 0.15wir 06.5l	2
18	606056	(30000000- 40000000 )	Tube, 0.32id 0.62od 01.0l, Stl, Pl	2
19	01685	(30000000- 40000000 )	Washer, Flat, 0.38b 0.88d .08, Ss	2
20	74440	(30000000- 40000000 )	Screw, Hex, M8 X 1.25 X 40, NI, Ss	2
21	222027	(30000000- 40000000 )	Arm, Lift, Head	2
22	02942	(30000000- 40000000 )	Pin, Hair, Cotter, 0.62d .120 Wir	2
23	222210	(30000000- 40000000 )	Pin, Clevis, 0.62d X 2.12l	2
24	32662	(30000000- 40000000 )	Washer, Flat, 0.38b 1.22d .06, Ss	2
25	63185	(30000000- 40000000 )	Spring, Cmpr, 0.85od .09wir 02.0l	2
26	1034731	(30000000- 40000000 )	Screw, Hex, M6 X 1.00 X 16, Sems, Ss	4
27	140626	(30000000- 40000000 )	Pin, Cotter, Hair, 0.25d .125 Wir	3
28	374225	(30000000- 40000000 )	Pin, Clevis, 0.50d X 3.75l	2
29	1225719	(30000000- 40000000 )	Bracket, Pin Holder	2
30	01684	(30000000- 40000000 )	Washer, Flat, 0.27b 0.69d .05, Ss	4
31	07785	(30000000- 40000000 )	Nut, Hex, Std, M6 X 1.00, Ss	4
32	1013705	(30000000- 40000000 )	Plate, Thread, Switch, M3 Nut, 96hr Pl	1
33	1224191	(30000000- 40000000 )	Bracket, Spring, Suspension, Head	1
34	1215716	(30000000- 40000000 )	Switch, 0.1a, Spdt[Micro, Gold Contacts]	1
35	33933	(30000000- 40000000 )	Screw, Pan, Phl, M3 X 0.50 X 25, Ss	2
36	11211	(30000000- 40000000 )	Pin, Clevis, 0.50d X 2.25l	1
37	01685	(30000000- 40000000 )	Washer, Flat, 0.38b 0.88d .08, Ss	1
38	07786	(30000000- 40000000 )	Nut, Hex, Std, M8 X 1.25, Ss	1
39	01685	(30000000- 40000000 )	Washer, Flat, 0.38b 0.88d .08, Ss	2
40	08713	(30000000- 40000000 )	Nut, Hex, Lock, M8 X 1.25, NI, Ss	2
41	1222374	(30000000- 30104854 )	Frame Wldt, Hardstop [T500] (No Longer Available)	1
42	01685	(30000000- 30104854 )	Washer, Flat, 0.38b 0.88d .08, Ss	2
43	08713	(30000000- 30104854 )	Nut, Hex, Lock, M8 X 1.25, NI, Ss	2

HEAD LIFT GROUP, CYLINDRICAL

355492



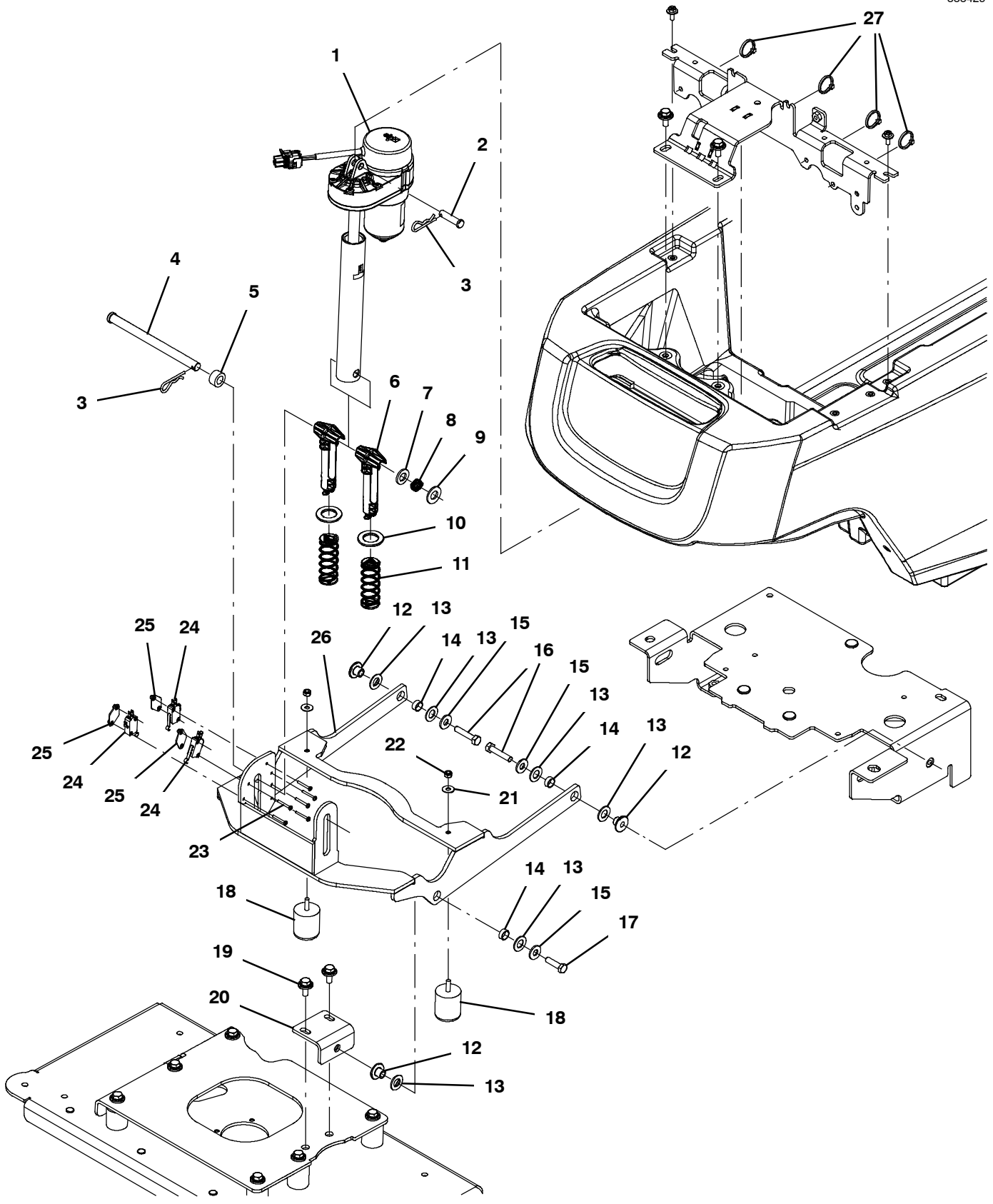


## HEAD LIFT GROUP, CYLINDRICAL

Ref.	Part No.	Serial Number	Description	Qty.
1	387431	(30000000- 40000000 )	Screw, Hex, M8 X 1.25 X 130, Ss	2
2	32662	(30000000- 40000000 )	Washer, Flat, 0.38b 1.22d .06, Ss	2
3	45261	(30000000- 40000000 )	Spring, Cmpr, 0.97od .11wir 02.5l	2
4	1224334	(30000000- 40000000 )	Sleeve, P/M, 0.51b 0.63d 1.5l, Pl	2
5	1219491	(30000000- 40000000 )	Sleeve, 0.40id .50d 4.25l, Ss	2
6	32486	(30000000- 40000000 )	Washer, Flat, 0.53b 1.06d .10, Stl, Pl	2
7	1221206	(30000000- 40000000 )	Actuator, 24vdc, 07.0strk, 0600lb	1
8	49263	(30000000- 40000000 )	Tie, Cable, Nyl, 11.4l .19w 3.0 Max D	5
9	1020341	(30000000- 40000000 )	Screw, Hex, M8 X 1.25 X 20, Ss, Sems	4
10	140626	(30000000- 40000000 )	Pin, Cotter, Hair, 0.25d .125 Wir	1
11	29558	(30000000- 40000000 )	Pin, Clevis, 0.37d X 1.50l	1
12	1219912	(30000000- 40000000 )	Bracket, Guide, Head[T500]	1
13	1014020	(30000000- 40000000 )	Roller, 0.99d 0.50b 0.95l, Acetal	1
14	1221507	(30000000- 40000000 )	Pivot Wldt, Head, Scrub [T500]	1
15	1210807	(30000000- 40000000 )	Wire, Tie [W/.25" Fir Tree Clip]	2
16	1227530	(30000000- 40000000 )	Screw, Leveler, M8x75	1
17	222363	(30000000- 40000000 )	Spring, Extn, 1.23od 0.15wir 06.5l	2
18	606056	(30000000- 40000000 )	Tube, 0.32id 0.62od 01.0l, Stl, Pl	2
19	01685	(30000000- 40000000 )	Washer, Flat, 0.38b 0.88d .08, Ss	2
20	74440	(30000000- 40000000 )	Screw, Hex, M8 X 1.25 X 40, NI, Ss	2
21	222027	(30000000- 40000000 )	Arm, Lift, Head	2
22	02942	(30000000- 40000000 )	Pin, Hair, Cotter, 0.62d .120 Wir	2
23	222210	(30000000- 40000000 )	Pin, Clevis, 0.62d X 2.12l	2
24	32662	(30000000- 40000000 )	Washer, Flat, 0.38b 1.22d .06, Ss	2
25	63185	(30000000- 40000000 )	Spring, Cmpr, 0.85od .09wir 02.0l	2
26	1034731	(30000000- 40000000 )	Screw, Hex, M6 X 1.00 X 16, Sems, Ss	4
27	140626	(30000000- 40000000 )	Pin, Cotter, Hair, 0.25d .125 Wir	3
28	374225	(30000000- 40000000 )	Pin, Clevis, 0.50d X 3.75l	2
29	1225719	(30000000- 40000000 )	Bracket, Pin Holder	2
30	01684	(30000000- 40000000 )	Washer, Flat, 0.27b 0.69d .05, Ss	4
31	07785	(30000000- 40000000 )	Nut, Hex, Std, M6 X 1.00, Ss	4
32	1013705	(30000000- 40000000 )	Plate, Thread, Switch, M3 Nut, 96hr Pl	1
33	1224191	(30000000- 40000000 )	Bracket, Spring, Suspension, Head	1
34	1215716	(30000000- 40000000 )	Switch, 0.1a, Spdt[Micro, Gold Contacts]	1
35	33933	(30000000- 40000000 )	Screw, Pan, Phl, M3 X 0.50 X 25, Ss	2
36	11211	(30000000- 40000000 )	Pin, Clevis, 0.50d X 2.25l	1
37	01685	(30000000- 40000000 )	Washer, Flat, 0.38b 0.88d .08, Ss	1
38	07786	(30000000- 40000000 )	Nut, Hex, Std, M8 X 1.25, Ss	1
39	607920	(30000000- 40000000 )	Spring, Cmpr, 0.70od .10wir 01.0l, Mw	2
40	140045	(30000000- 40000000 )	Washer, Flat, 0.51b 1.25d .06, Ss	4
41	01685	(30000000- 40000000 )	Washer, Flat, 0.38b 0.88d .08, Ss	2
42	08713	(30000000- 40000000 )	Nut, Hex, Lock, M8 X 1.25, NI, Ss	2

HEAD LIFT GROUP, ORBITAL

355429

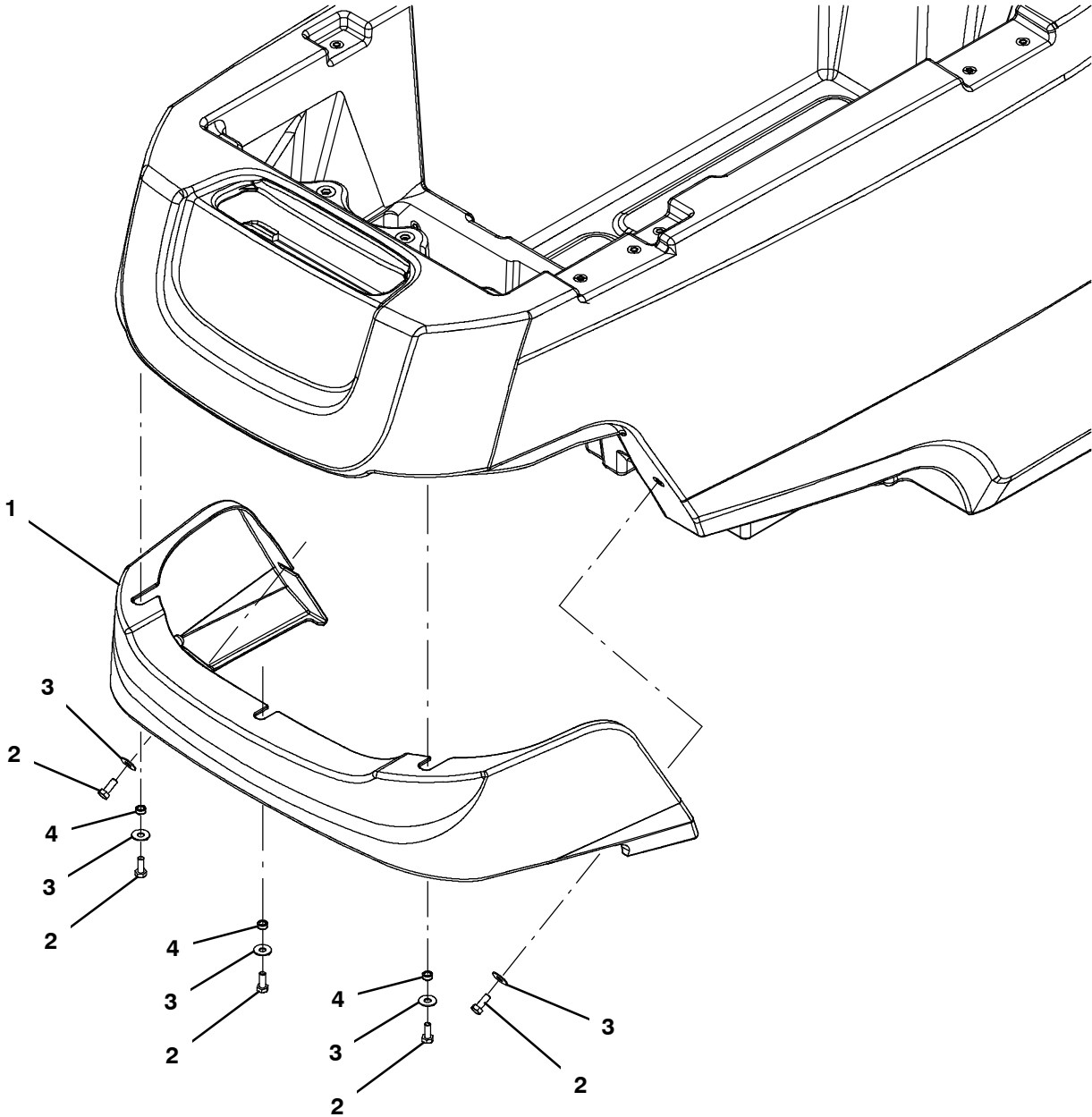


## HEAD LIFT GROUP, ORBITAL

Ref.	Part No.	Serial Number	Description	Qty.
1	1221206	(30000000- 40000000 )	Actuator, 24vdc, 07.0strk, 0600lb	1
2	29558	(30000000- 40000000 )	Pin, Clevis, 0.37d X 1.50l	1
3	140626	(30000000- 40000000 )	Pin, Cotter, Hair, 0.25d .125 Wir	1
4	1226754	(30000000- 40000000 )	Pin, Clevis, .50d X 7.00l	1
5	1226759	(30000000- 40000000 )	Spacer, .500 ld X .875 Od	1
6	1224233	(30000000- 40000000 )	Pin, Guide, Spring, Head	2
7	1013936	(30000000- 40000000 )	Washer, Flat, 0.51b 0.94d .10, Nyl	1
8	1226640	(30000000- 40000000 )	Spring, Wave, .512 ld X .709 Od X .375	1
9	32486	(30000000- 40000000 )	Washer, Flat, 0.53b 1.06d .10, Stl, Pl	1
10	1225960	(30000000- 40000000 )	Washer, Thrust, 0.89b 1.50d 0.13w, Bnz	2
11	1227036	(30000000- 40000000 )	Spring, Cmpr, 1.10od .085wir 03.0l	2
12	1059990	(30000000- 40000000 )	Sleeve, Flng, 0.32b 1.00/0.50d 0.6l, Ss	3
13	608562	(30000000- 40000000 )	Washer, Flat, 0.51b 0.94d .06, Nyl	6
14	630188	(30000000- 40000000 )	Bearing, Journal, .50id X .25l	3
15	01685	(30000000- 40000000 )	Washer, Flat, 0.38b 0.88d .08, Ss	3
16	74440	(30000000- 40000000 )	Screw, Hex, M8 X 1.25 X 40, NI, Ss	2
17	1016399	(30000000- 40000000 )	Screw, Hex, M8 X 1.25 X 30, NI, Ss	1
18	1212543	(30000000- 40000000 )	Isolator, Neoprene, 1.25" X 1.25", M8	2
19	1020341	(30000000- 40000000 )	Screw, Hex, M8 X 1.25 X 20, Ss, Sems	2
20	1224295	(30000000- 40000000 )	Brkt Wldt, Lift	1
21	01685	(30000000- 40000000 )	Washer, Flat, 0.38b 0.88d .08, Ss	2
22	08713	(30000000- 40000000 )	Nut, Hex, Lock, M8 X 1.25, NI, Ss	2
23	33933	(30000000- 40000000 )	Screw, Pan, Phl, M3 X 0.50 X 25, Ss	6
24	1215716	(30000000- 40000000 )	Switch, 0.1a, Spdt[Micro, Gold Contacts]	3
25	1013705	(30000000- 40000000 )	Plate, Thread, Switch, M3 Nut, 96hr Pl	3
26	1221043	(30000000- 40000000 )	Arm Wldt, Lift	1
27	49263	(30000000- 40000000 )	Tie, Cable, Nyl, 11.4l .19w 3.0 Max D	5

SHROUD GROUP, DISK AND ORBITAL

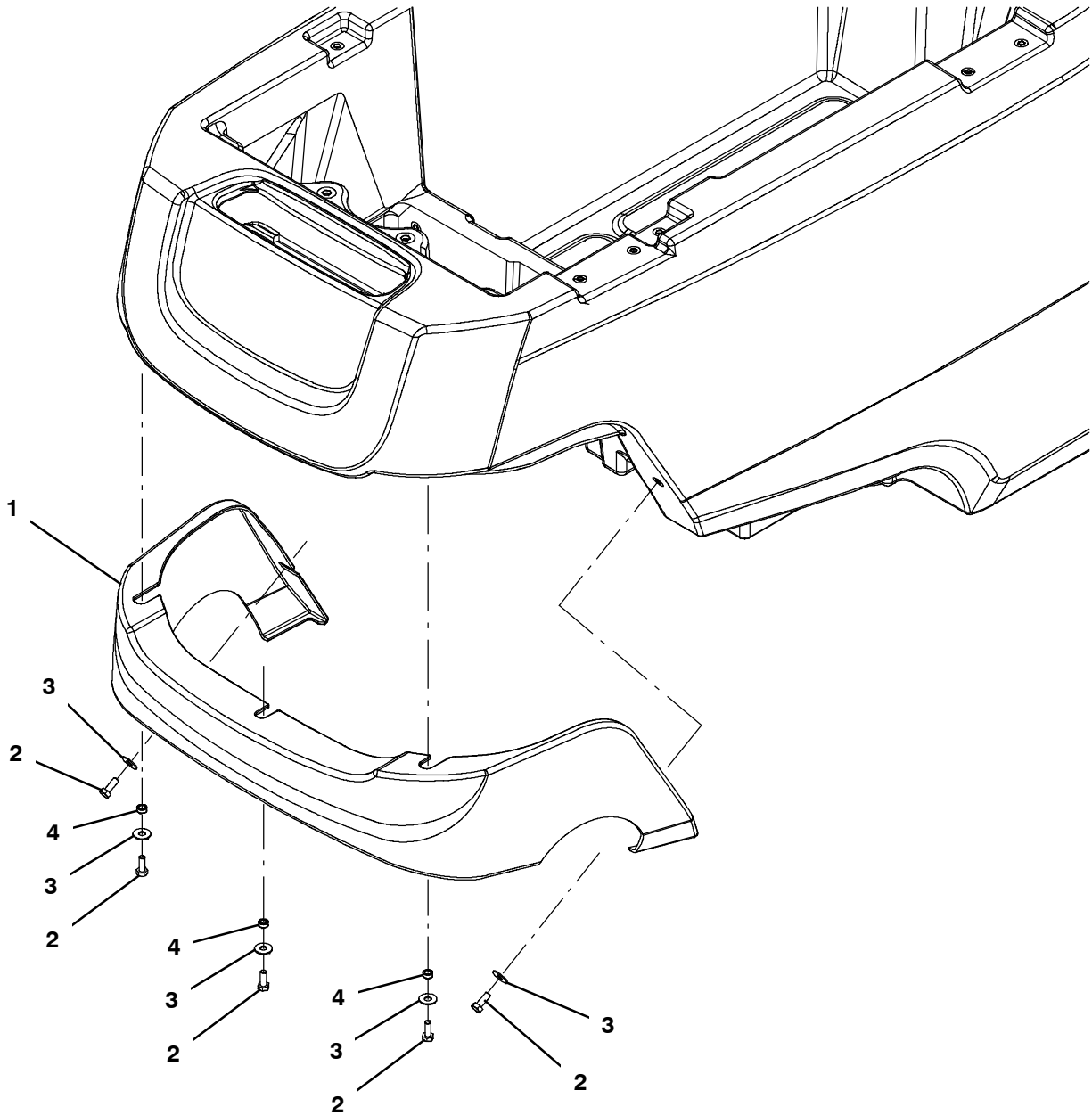
355417



Ref.	Part No.	Serial Number	Description	Qty.
1	1219723	(30000000- 40000000 )	Cover, Head, Disc [T500]	1
2	11329	(30000000- 40000000 )	Screw, Hex, M6 X 1.00 X 16, NI, Ss	5
3	01684	(30000000- 40000000 )	Washer, Flat, 0.27b 0.69d .05, Ss	5
4	80491	(30000000- 40000000 )	Sleeve, P/M, 0.25b 0.38d 0.2l [430ss]	3

SHROUD GROUP, CYLINDRICAL

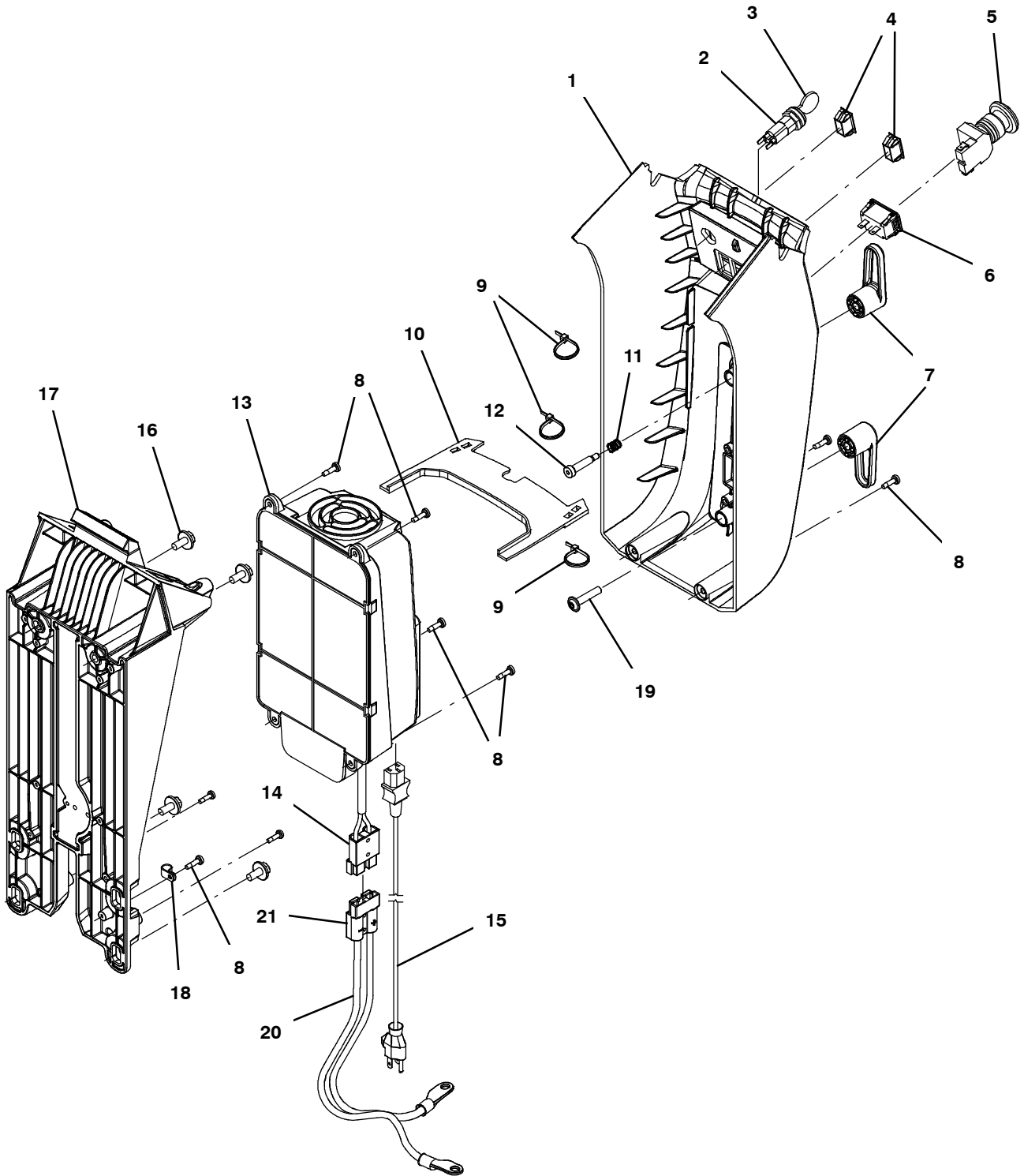
355418



Ref.	Part No.	Serial Number	Description	Qty.
1	1219724	(30000000- 40000000 )	Cover, Head, CylrcI [T500]	1
2	11329	(30000000- 40000000 )	Screw, Hex, M6 X 1.00 X 16, NI, Ss	5
3	01684	(30000000- 40000000 )	Washer, Flat, 0.27b 0.69d .05, Ss	5
4	80491	(30000000- 40000000 )	Sleeve, P/M, 0.25b 0.38d 0.2l [430ss]	3

LOWER CONSOLE GROUP, ON-BOARD CHARGER

355444



LOWER CONSOLE GROUP, ON-BOARD CHARGER

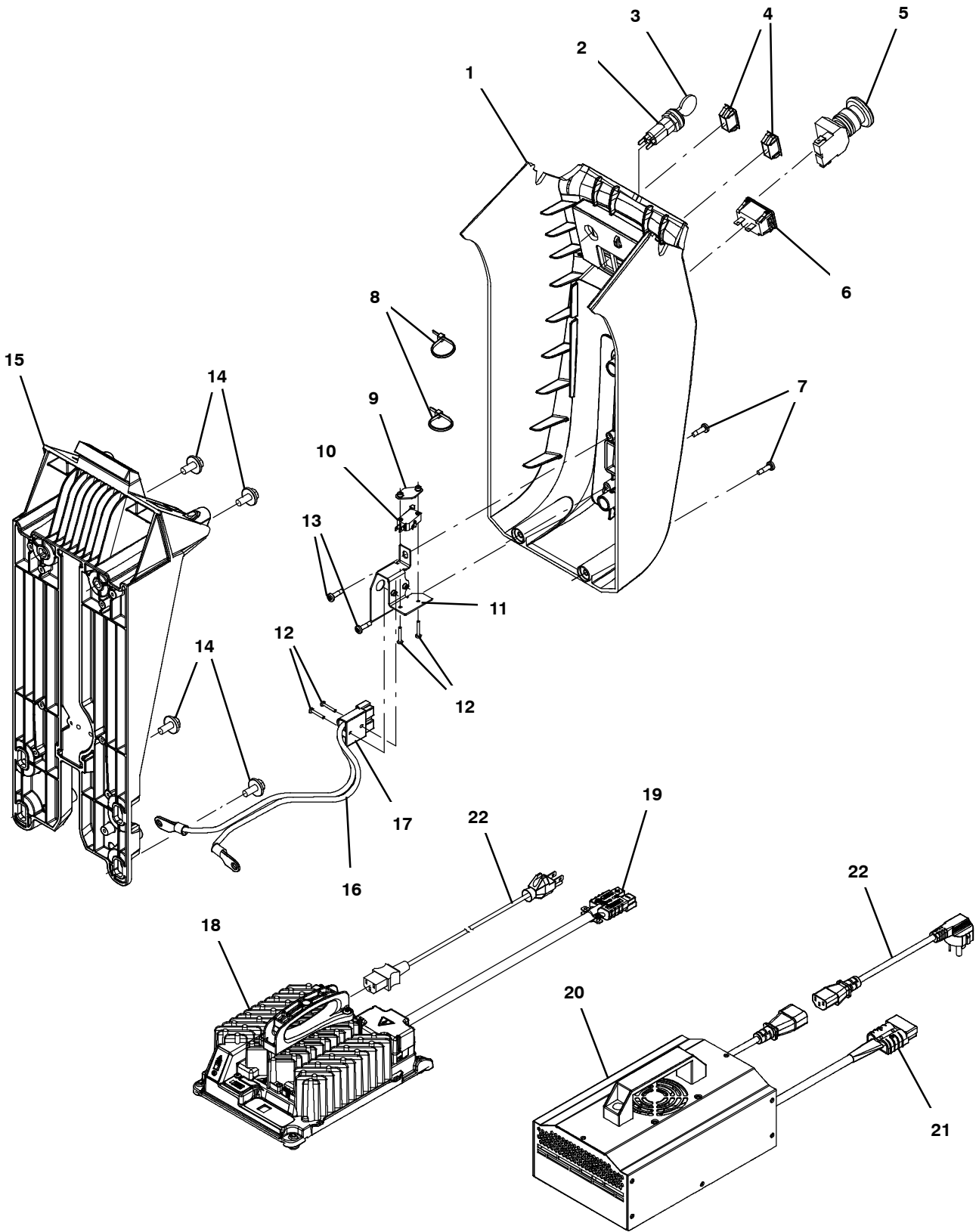
Ref.	Part No.	Serial Number	Description	Qty.
	1	1203802	(30000000- 40000000 ) Cover, Column, Cntrl	1
▽	2	1011402	(30000000- 40000000 ) Switch, Key	1
▲	3	1017696	(30000000- 40000000 ) Key Set, Replmt [F/ Keyswitch 1011402]	1
	4	582150	(30000000- 40000000 ) Plug, Hole, Rt, 1.23 X 1.12, Nyl	2
	5	1011735	(30000000- 40000000 ) Switch, Safety, Shutoff	1
	6	1064038	(30000000- 40000000 ) Gauge, Hourmeter, 05- 277 Volt, Ac / Dc	1
	7	1205496	(30000000- 40000000 ) Hook, Cord	2
	8	1043573	(30000000- 40000000 ) Screw, #10- 14 X 0.675, Spl[Shcs,Selftap]	9
	9	130773	(30000000- 40000000 ) Tie, Cable, Nyl, 11.0l, .14w, 3.0 Max. D	3
	10	1207290	(30000000- 40000000 ) Cover, Charger	1
	11	611311	(AUG2020- 40000000 ) Spring, Cmpr, 0.40od .05wir 00.5l, Pl,Mw	1
	11	611311	(30000000- JUL2020 ) Spring, Cmpr, 0.40od .05wir 00.5l, Pl,Mw	2
	12	1024965	(AUG2020- 40000000 ) Bolt, Shld, 08mmd X 030mm, M06 X 1.0	1
	12	1024965	(30000000- JUL2020 ) Bolt, Shld, 08mmd X 030mm, M06 X 1.0	2
▽	13	1250046	(30000000- 40000000 ) Charger, 24vdc 25a 100- 240vac [On- Board]	1
▲	14	605387	(30000000- 40000000 ) Connector, Anderson, 050a, Red [W/O Con]	1
	15	1025642	(30000000- 40000000 ) Cord, Power, 16/3, 15ft Blk [Us]	1
	15	1026330	(30000000- 40000000 ) Cord, Power, 1.0mm2 [2.5meter]	1
	15	1026325	(30000000- 40000000 ) Cord, Power, 1.0mm2/3 Blk[2.5meter, Aus]	1
	15	1048304	(30000000- 40000000 ) Cord, Power [4.5meter, India, S.Africa]	1
	16	1020341	(30000000- 40000000 ) Screw, Hex, M8 X 1.25 X 20, Ss, Sems	4
	17	1231373	(30000000- 40000000 ) Frame, Column, Cntrl [Im], T600	1
	18	378969	(30000000- 40000000 ) Clamp, Cable, Stl, 0.56d X 0.38w, 1hole	1
	19	1248098	(AUG2020- 40000000 ) Screw, Btn, Flng, M6 X 1.0 X 30, 10.9	1
▽	20	1073634	(30000000- 40000000 ) Harness, Chrgr, 12ga [M8 Ring/M8 Ring]	1
▲	21	605387	(30000000- 40000000 ) Connector, Anderson, 050a, Red [W/O Con]	1

▽ ASSEMBLY

▲ INCLUDED IN ASSEMBLY

LOWER CONSOLE GROUP, OFF-BOARD CHARGER

355846





LOWER CONSOLE GROUP, OFF- BOARD CHARGER

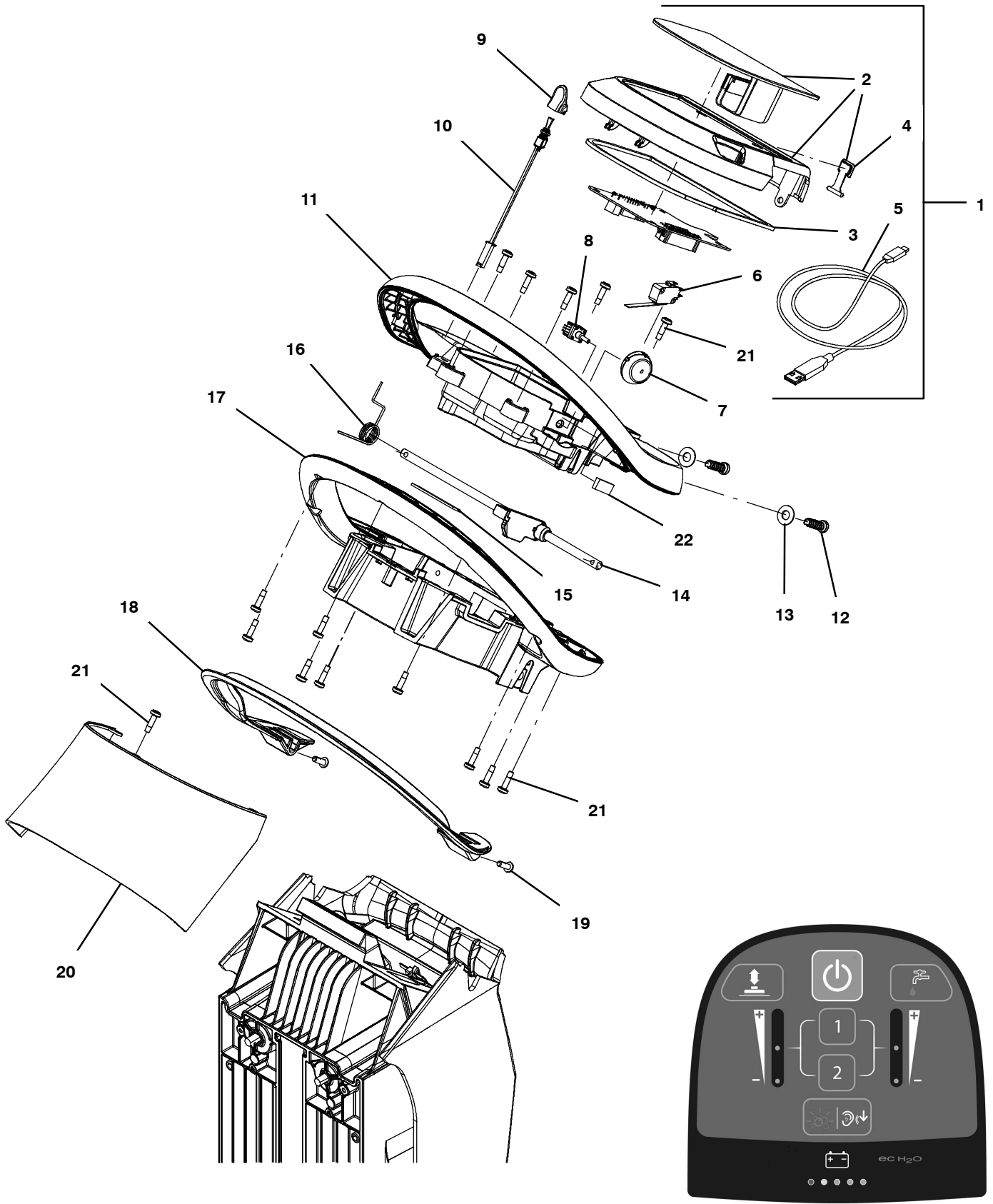
Ref.	Part No.	Serial Number	Description	Qty.
	1	1203802	(30000000- 40000000 ) Cover, Column, Cntrl	1
▽	2	1011402	(30000000- 40000000 ) Switch, Key	1
▲	3	1017696	(30000000- 40000000 ) Key Set, Replmt [F/ Keyswitch 1011402]	1
	4	582150	(30000000- 40000000 ) Plug, Hole, Rt, 1.23 X 1.12, Nyl	2
	5	1011735	(30000000- 40000000 ) Switch, Safety, Shutoff	1
	6	1064038	(30000000- 40000000 ) Gauge, Hourmeter, 05- 277 Volt, Ac / Dc	1
	7	1043573	(30000000- 40000000 ) Screw, #10- 14 X 0.675, Spl[Shcs,Selftap]	2
	8	130773	(30000000- 40000000 ) Tie, Cable, Nyl, 11.0l, .14w, 3.0 Max. D	2
	9	1013705	(30000000- 40000000 ) Plate, Thread, Switch, M3 Nut, 96hr PI	1
	10	1215716	(30000000- 40000000 ) Switch, 0.1a, Spdt[Micro, Gold Contacts]	1
	11	1208599	(30000000- 40000000 ) Bracket Assy, Plug, Charger	1
	12	06922	(30000000- 40000000 ) Screw, Pan, Phl, M3 X 0.50 X 20, 4.8	4
	13	1043573	(30000000- 40000000 ) Screw, #10- 14 X 0.675, Spl[Shcs,Selftap]	2
	14	1020341	(30000000- 40000000 ) Screw, Hex, M8 X 1.25 X 20, Ss, Sems	4
	15	1231373	(30000000- 40000000 ) Frame, Column, Cntrl [Im], T600	1
▽	16	1073634	(30000000- 40000000 ) Harness, Chrgr, 12ga [M8 Ring/M8 Ring]	1
▲	17	605387	(30000000- 40000000 ) Connector, Anderson, 050a, Red [W/O Con]	1
▽	18	9015391	(30000000- 40000000 ) Charger Assy, Off- Board [T500/T500e]	1
▲	19	605387	(30000000- 40000000 ) Connector, Anderson, 050a, Red [W/O Con]	1
▽	20	1252745	(30000000- 40000000 ) Charger, 24vdc/25a, 220vac [Off Board]	1
▲	21	605387	(30000000- 40000000 ) Connector, Anderson, 050a, Red [W/O Con]	1
	22	1025642	(30000000- 40000000 ) Cord, Power, 16/3, 15ft Blk [Us]	1
	22	1026330	(30000000- 40000000 ) Cord, Power, 1.0mm2 [2.5meter]	1
	22	1026325	(30000000- 40000000 ) Cord, Power, 1.0mm2/3 Blk[2.5meter, Aus]	1
	22	1048304	(30000000- 40000000 ) Cord, Power [4.5meter, India, S.Africa]	1

▽ ASSEMBLY

▲ INCLUDED IN ASSEMBLY

CONSOLE HANDLE, PRO-MEMBRANE PANEL

355446



## CONSOLE HANDLE, PRO- MEMBRANE PANEL

Ref.	Part No.	Serial Number	Description	Qty.
▽	1	9015778*	(30000000- 40000000 ) Bezel Kit, Membrane [T500]	1
▲▽	2	9015779	(30000000- 40000000 ) Screen Kit [T500]	1
▲▲	3	1245824	(JUN2020- 40000000 ) Gasket, Console	1
▲▲	4	1205618	(30000000- 40000000 ) Cap, Usb	1
▲	5	1071235	(30000000- 40000000 ) Cable [Usb, 2m, A- Male To Mini- B- Male]	1
	6	1205323	(30000000- 40000000 ) Switch, 0.1a, Spdt [Micro, Straight]	1
	7	1206586	(30000000- 40000000 ) Dial, Range, Speed	1
	8	1256757	(30127776- 40000000 ) Potentiometer [100k, 1 Turn, Multi- Mach]	1
	8	1246392	(30094929- 30127775 ) Potentiometer [100k, 1 Turn, B5/B7] (Rpld by 1256757)	1
	8	1204930	(30000000- 30094928 ) Potentiometer [100k, 1 Turn, B5/B7] (Rpld by 1256757)	1
	9	1209730	(30000000- 40000000 ) Cap, Toggle, Direction	1
	10	1209673	(30000000- 40000000 ) Switch Assy, Toggle, Direction	1
	11	1203787	(30000000- 40000000 ) Housing, Handle, Cntrl, Top	2
	12	1215863	(30000000- 40000000 ) Screw, Pan, Torx, M8 X 3.5 X 25[Remform]	2
	13	140027	(30000000- 40000000 ) Washer, Flat, 0.35b 0.75d .04, Ss	2
	14	1205143	(30000000- 40000000 ) Shaft Assy, Bail, Handle	1
	15	1020280	(30000000- 40000000 ) Seal, Afrmkt, Rbr, Clsd, Adh, 01ft	1
	16	1205781	(30000000- 40000000 ) Spring, Return, Bail	1
	17	1222608	(30000000- 40000000 ) Housing, Handle, Cntrl, Bottom, Slotted	1
	18	1205778	(30000000- 40000000 ) Handle, Bail [Machined]	1
	19	1205799	(30000000- 40000000 ) Screw, Btn, M5 X 0.8 X 16, 8.8, NI, Torx	2
	20	1207004	(30000000- 40000000 ) Cover, Handle, Cntrl	1
	21	1043573	(30000000- 40000000 ) Screw, #10- 14 X 0.675, Spl[Shcs,Selftap]	15
	22	1063909	(JUN2020- 40000000 ) Seal, Afrmkt, Rbr, Clsd, Adh, 01ft	1

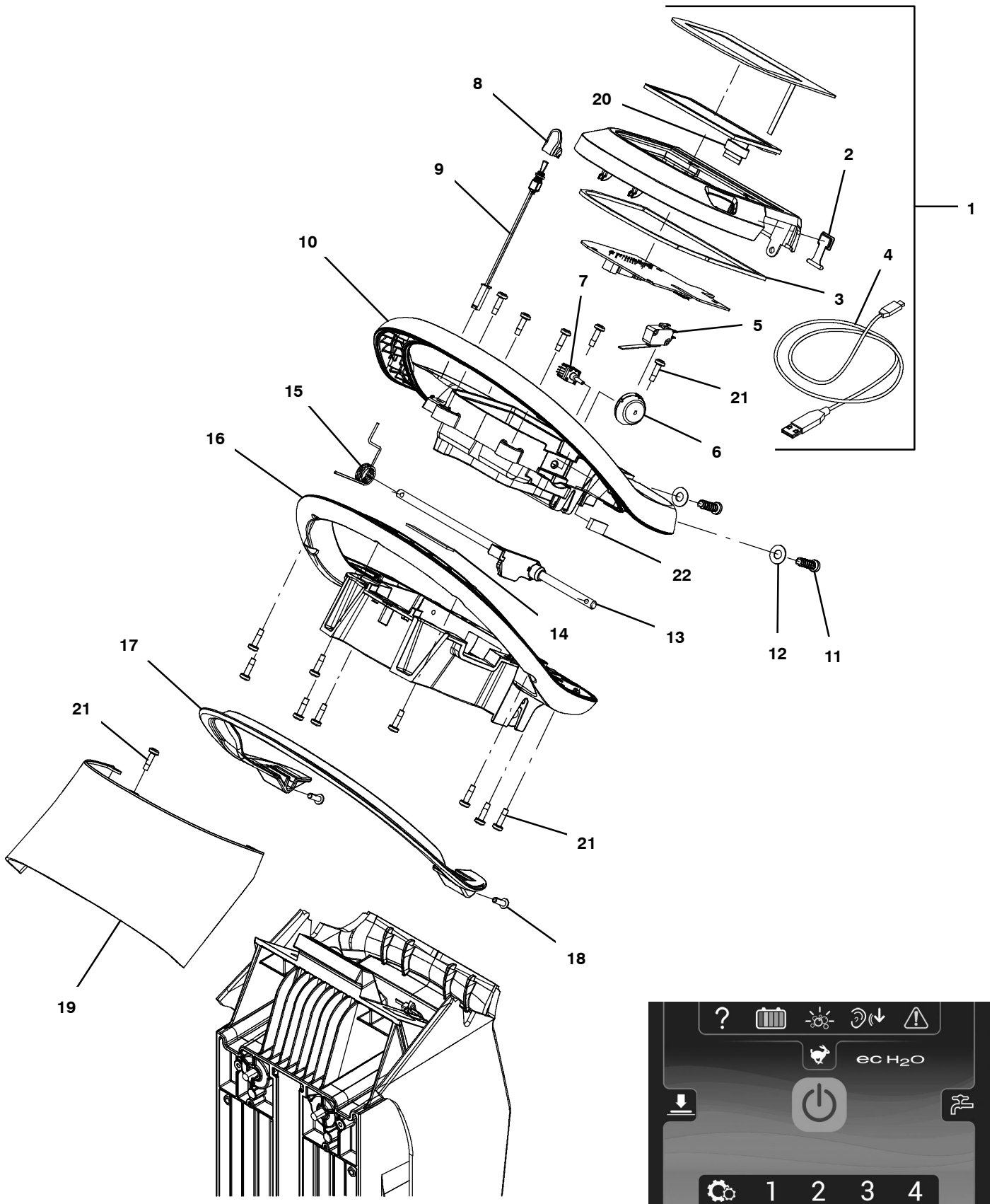
\* Requires Tennant *True* service or an authorized Tennant service provider.

▽ ASSEMBLY

▲ INCLUDED IN ASSEMBLY

CONSOLE HANDLE, PRO-PANEL LCD

355447



## CONSOLE HANDLE, PRO- PANEL LCD

Ref.	Part No.	Serial Number	Description	Qty.
▽	1	9014135*	(30000000- 40000000 ) Bezel Kit, Propel, Lcd Pro- Panl,Ci (Australia Also Requires Qty 1 Ferrite #1229342)	1
▲	2	1205618	(30000000- 40000000 ) Cap, Usb	1
▲	3	1245824	(JUN2020- 40000000 ) Gasket, Console	1
▲	4	1071235	(30000000- 40000000 ) Cable [Usb, 2m, A- Male To Mini- B- Male]	1
	5	1205323	(30000000- 40000000 ) Switch, 0.1a, Spdt [Micro, Straight]	1
	6	1234365	(30000000- 40000000 ) Dial, Range, Speed	1
	7	1256757	(30127776- 40000000 ) Potentiometer [100k, 1 Turn, Multi- Mach]	1
	7	1246392	(30094929- 30127775 ) Potentiometer [100k, 1 Turn, B5/B7] (Rpld by 1256757)	1
	7	1204930	(30000000- 30094928 ) Potentiometer [100k, 1 Turn, B5/B7] (Rpld by 1256757)	1
	8	1209730	(30000000- 40000000 ) Cap, Toggle, Direction	1
	9	1209673	(30000000- 40000000 ) Switch Assy, Toggle, Direction	1
	10	1203787	(30000000- 40000000 ) Housing, Handle, Cntrl, Top	2
	11	1215863	(30000000- 40000000 ) Screw, Pan, Torx, M8 X 3.5 X 25[Remform]	2
	12	140027	(30000000- 40000000 ) Washer, Flat, 0.35b 0.75d .04, Ss	2
	13	1205143	(30000000- 40000000 ) Shaft Assy, Bail, Handle	1
	14	1020280	(30000000- 40000000 ) Seal, Afmkt, Rbr, Clsd, Adh, 01ft	1
	15	1205781	(30000000- 40000000 ) Spring, Return, Bail	1
	16	1222608	(30000000- 40000000 ) Housing, Handle, Cntrl, Bottom, Slotted	1
	17	1205778	(30000000- 40000000 ) Handle, Bail [Machined]	1
	18	1205799	(30000000- 40000000 ) Screw, Btn, M5 X 0.8 X 16, 8.8, NI, Torx	2
	19	1207004	(30000000- 40000000 ) Cover, Handle, Cntrl	1
	20	1229342	(30000000- 40000000 ) Inductor, Ferrite [110@100hz] (Australia Only)	1
	21	1043573	(30000000- 40000000 ) Screw, #10- 14 X 0.675, Spl[Shcs,Selftap]	15
	22	1063909	(JUN2020- 40000000 ) Seal, Afmkt, Rbr, Clsd, Adh, 01ft	1

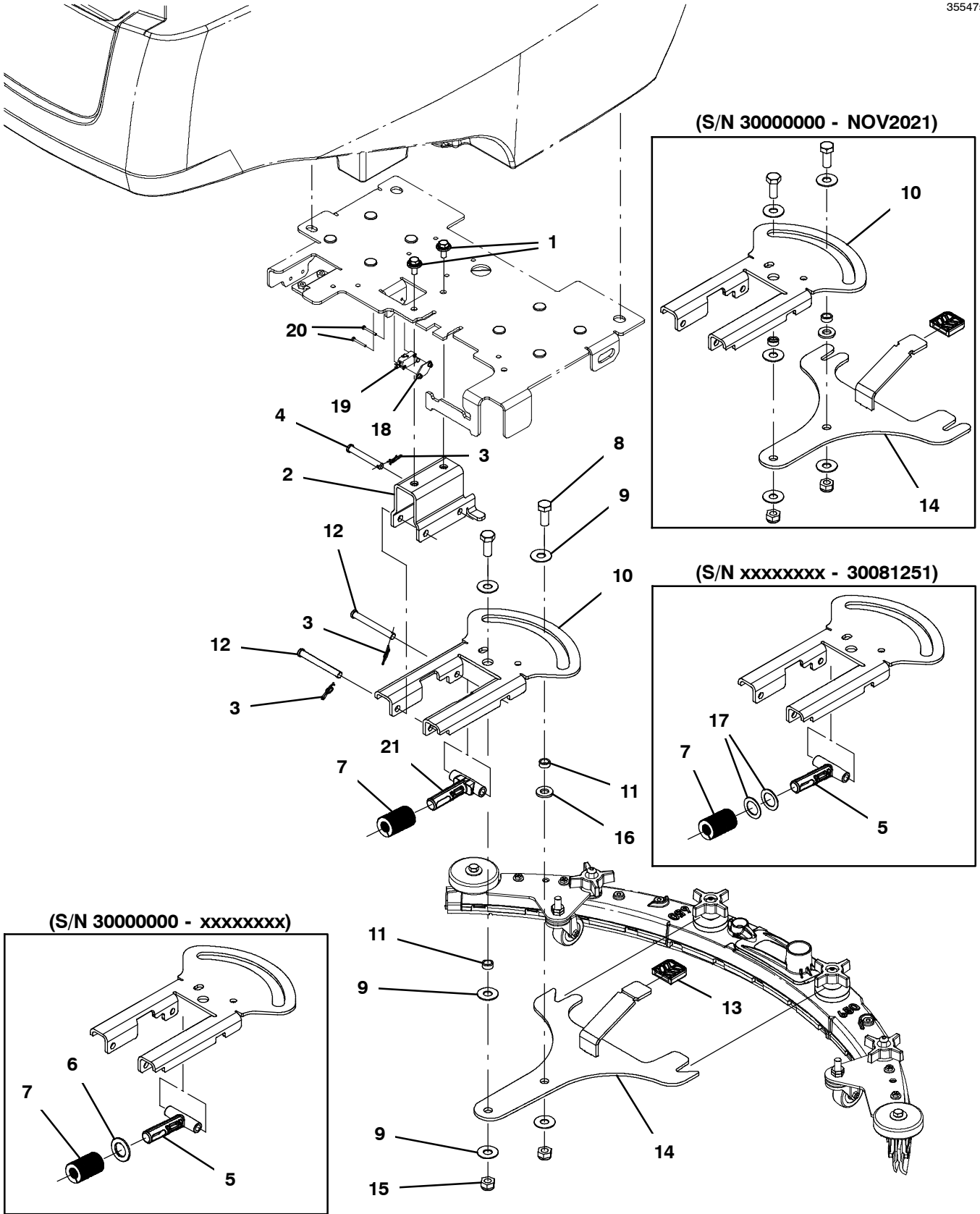
\* Requires Tennant *True* service or an authorized Tennant service provider.

▽ ASSEMBLY

▲ INCLUDED IN ASSEMBLY

SQUEEGEE LIFT GROUP

355475

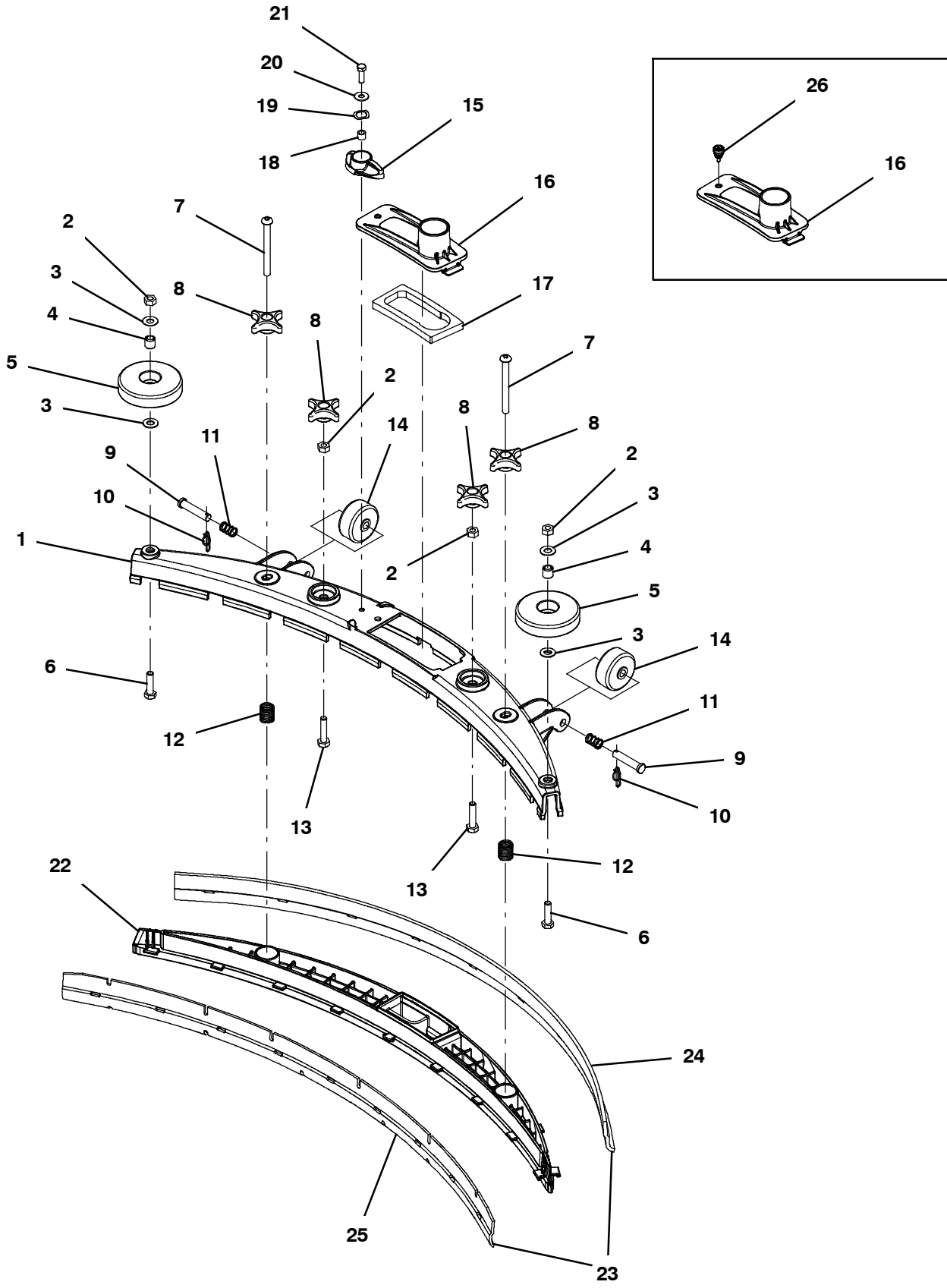


## SQUEEGEE LIFT GROUP

Ref.	Part No.	Serial Number	Description	Qty.
1	1020341	(30000000- 40000000 )	Screw, Hex, M8 X 1.25 X 20, Ss, Sems	2
2	1221959	(30000000- 40000000 )	Bracket, Wldt, Lift, Sqge [T500]	1
3	1216647	(30000000- 40000000 )	Pin, Cotter, Hair, 0.38d .054 Wir	3
4	391179	(30000000- 40000000 )	Pin, Clevis, 0.37d X 2.62l	1
5	1230368	(30000000- 30081251 )	Guide, Spring (Replaced by 9016898)	1
6	1225960	(30000000- xxxxxxxx )	Washer, Thrust, 0.89b 1.50d 0.13w, Bnz	1
7	1253245	(MAY2021- 40000000 )	Spring, Cmpr, 1.4od, .874id, .263d, 2.0l	1
7	1228773	(30000000- APR2021 )	Spring, Cmpr, 1.25od, .625id, 2.0l (Replaced By 1253245)	1
8	12309	(30000000- 40000000 )	Screw, Hex, M12 X 1.75 X 30, Ss	2
9	140045	(30000000- 40000000 )	Washer, Flat, 0.51b 1.25d .06, Ss	5
10	1255528	(DEC2021- 20000000 )	Bracket, Pivot, Sqge [T500]	1
10	1219466	(30000000- NOV2021 )	Bracket, Pivot, Sqge [T500]	1
11	1013662	(30000000- 40000000 )	Bushing, Sleeve, 12mmb 16mmd 7mml, Pm Yel	2
12	57598	(30000000- 40000000 )	Pin, Clevis, 0.37d X 3.25l	2
13	1212533	(30000000- 40000000 )	Cover, Pedal, Lift	1
14	1246993	(DEC2021- 20000000 )	Bracket Wldt, Mtg, Sqge [T500]	1
14	1220505	(30000000- NOV2021 )	Bracket Wldt, Mtg, Sqge [T500]	1
15	09741	(30000000- 40000000 )	Nut, Hex, Lock, M12 X 1.75, NI, Ss	2
16	140127	(30000000- 40000000 )	Washer, Thrust, 0.51b 1.00d 0.12w, Brz	1
17	82226	(xxxxxxx- 30081251 )	Washer, Flat, 0.91b 1.38d .06, Stl, PI	2
18	1013705	(30000000- 40000000 )	Plate, Thread, Switch, M3 Nut, 96hr PI	1
19	1215716	(30000000- 40000000 )	Switch, 0.1a, Spdt[Micro, Gold Contacts]	1
20	33933	(30000000- 40000000 )	Screw, Pan, Phl, M3 X 0.50 X 25, Ss	2
21	1235860	(30081252- 40000000 )	Guide, Spring	1

SQUEEGEE ASSEMBLY, 500MM / 20IN

355437





SQUEEGEE ASSEMBLY, 500MM / 20IN

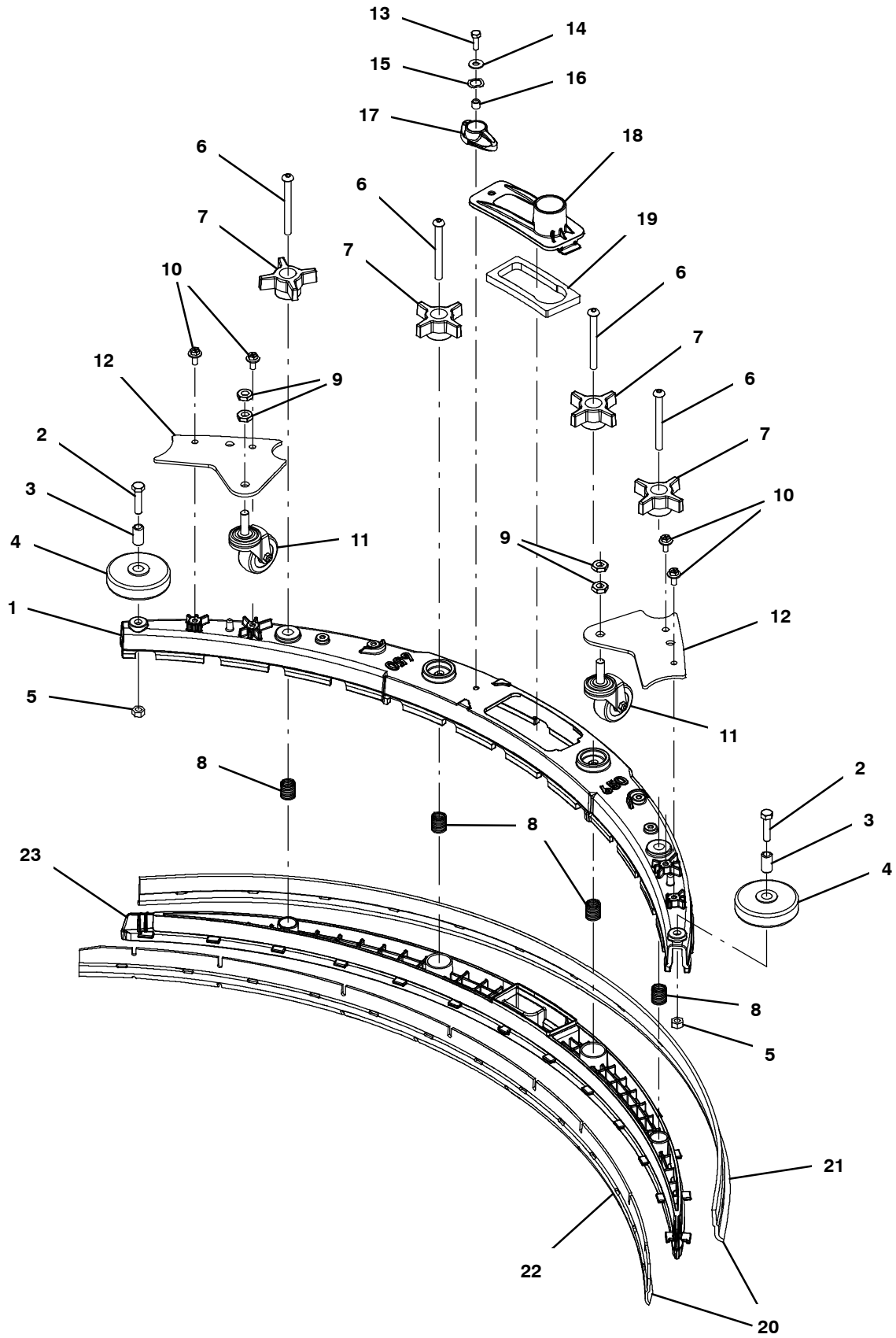
Ref.	Part No.	Serial Number	Description	Qty.
▽		9014172	(30000000- 40000000 ) Squeegee Kit, Linatex, Ci [T300/E/Ss300]	1
▲	1	1230946	(30000000- 40000000 ) Frame, Sqge, 50cm, Mach [T300]	1
▲	2	07786	(30000000- 40000000 ) Nut, Hex, Std, M8 X 1.25, Ss	2
▲	3	140027	(30000000- 40000000 ) Washer, Flat, 0.35b 0.75d .04, Ss	4
▲	4	222460	(30000000- 40000000 ) Sleeve, P/M, 0.32b 0.50d 0.5l [430ss]	2
▲	5	1010560	(30000000- 40000000 ) Wheel, Bmpr, 80d X 25w, Non- Marking	2
▲	6	1016399	(30000000- 40000000 ) Screw, Hex, M8 X 1.25 X 30, NI, Ss	2
▲	7	1255358	(30000000- 40000000 ) Screw, Btn, M8 X 1.25 X 85, Ss	2
▲	8	1213677	(30000000- 40000000 ) Knob, Star, 2.00od 4ear M8x1.25 [Yel]	4
▲	9	17461	(30000000- 40000000 ) Pin, Clevis, 0.37d X 1.75l	2
▲	10	1216647	(30000000- 40000000 ) Pin, Cotter, Hair, 0.38d .054 Wir	2
▲	11	1017091	(30000000- 40000000 ) Spring, Cmpr, 0.50od .04wir 00.8l	2
▲	12	22290	(30000000- 40000000 ) Spring, Cmpr, 0.72od .06wir 02.3l	2
▲	13	09026	(30000000- 40000000 ) Screw, Hex, M8 X 1.25 X 40, Ss	2
▲	14	630477	(30000000- 40000000 ) Wheel, Pyu, 02.0d 0.38w, Gray	2
▲	15	1222109	(xxxxxxxx- 40000000 ) Knob, Sqge, 58l, M6 X 1.00, Plstc	1
▲	16	1209631	(30000000- 40000000 ) Cover, Trap, Water, Sqge	1
▲	17	1210756	(30000000- 40000000 ) Gasket, Trap, Water, Sqge	1
▲	18	140154	(xxxxxxxx- 40000000 ) Sleeve, P/M, 0.25b 0.38d 0.3l, PI	1
▲	19	140060	(xxxxxxxx- 40000000 ) Washer, .505 X .750 X 0.45 Wave	1
▲	20	01684	(xxxxxxxx- 40000000 ) Washer, Flat, 0.27b 0.69d .05, Ss	1
▲	21	12277	(xxxxxxxx- 40000000 ) Screw, Hex, M6 X 1.00 X 20, NI, Ss	1
▲	22	1203638	(30000000- 40000000 ) Retainer, Sqge [T300]	1
▲▽	23	9015731	(30000000- 40000000 ) Blade Kit, 500mm, Linatex (Standard)	1
▲▲	24	1203953	(30000000- 40000000 ) Blade, Sqge, Rear, 836l, Linatex[500mm] (Standard)	1
▲▲	25	1203954	(30000000- 40000000 ) Blade, Sqge, Front, 788l, Linatex[500mm] (Standard)	1
▽	23	9015732	(30000000- 40000000 ) Blade Kit, 500mm, Urethane (Option)	1
▲	24	1215609	(30000000- 40000000 ) Blade, Sqge, Rear, 836l, Urethane[500mm] (Option)	1
▲	25	1215611	(30000000- 40000000 ) Blade, Sqge, Front, 788l, Urethane[500mm] (Option)	1
▽	23	9015730	(30000000- 40000000 ) Blade Kit, 500mm, Gum (Option)	1
▲	24	1215610	(30000000- 40000000 ) Blade, Sqge, Rear, 836l, Gum[500mm] (Option)	1
▲	25	1215612	(30000000- 40000000 ) Blade, Sqge, Front, 788l, Gum[500mm] (Option)	1
	26	1212683	(30000000- xxxxxxxx ) Screw, Captive, M5, Knurled [Snap In]	1

▽ ASSEMBLY

▲ INCLUDED IN ASSEMBLY

SQUEEGEE ASSEMBLY, 650MM / 26IN  
(New Style 9021741)

355838



**SQUEEGEE ASSEMBLY, 650MM / 26IN**  
**(New Style 9021741)**

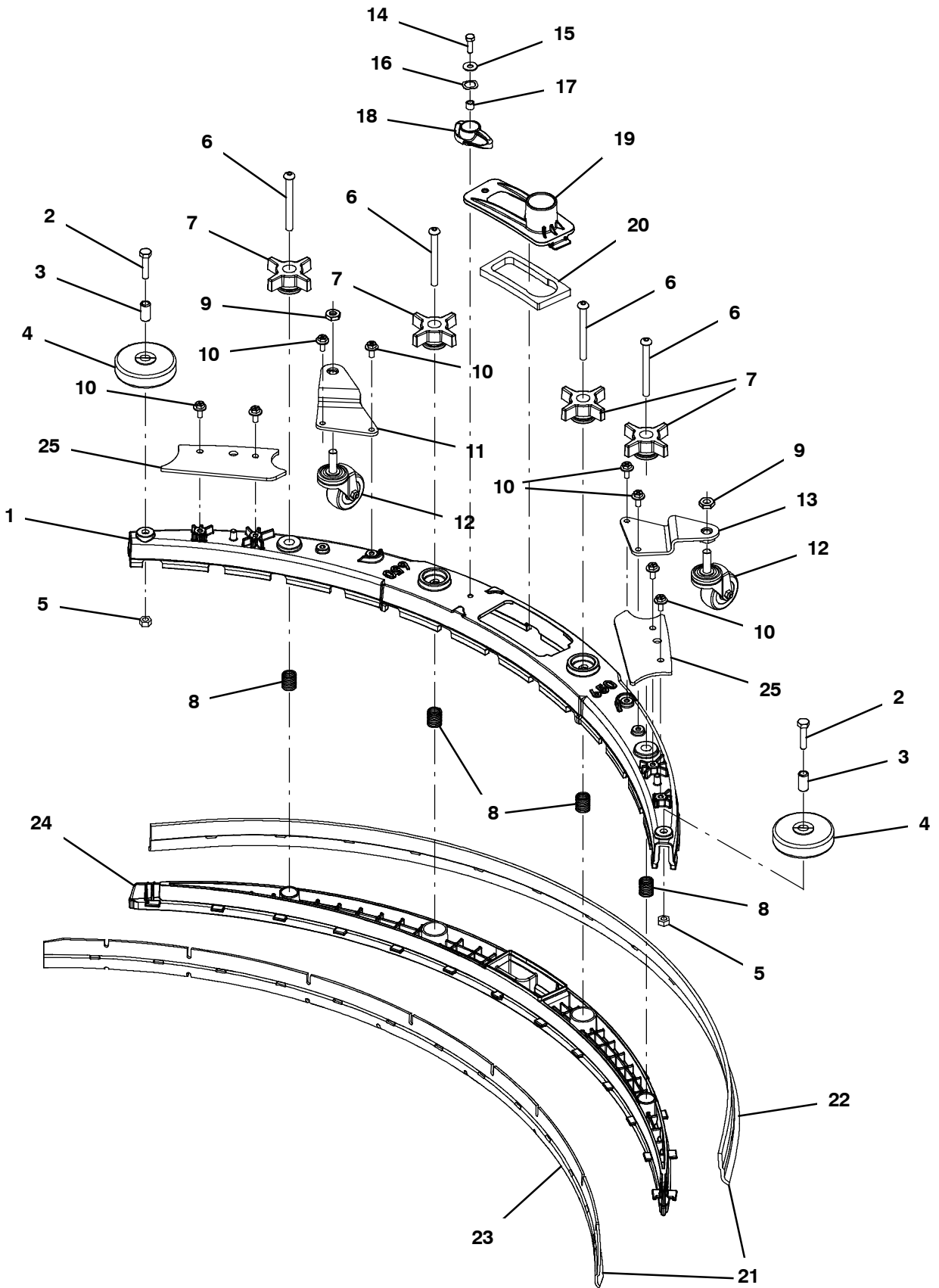
Ref.	Part No.	Serial Number	Description	Qty.
▽	9021741	(DEC2021- 40000000 )	Squeegee Kit, 650mm	1
▲	1 1243537	(DEC2021- 40000000 )	Frame, Sqge, 65cm, Mach [T500/T600]	1
▲	2 59658	(30000000- 40000000 )	Screw, Hex, M8 X 1.25 X 35, NI, Ss	2
▲	3 222496	(30000000- 40000000 )	Sleeve, P/M, 0.32b 0.50d 0.9l [430ss]	2
▲	4 222066	(30000000- 40000000 )	Wheel, 03.0d 0.88w 0.50b	2
▲	5 07786	(30000000- 40000000 )	Nut, Hex, Std, M8 X 1.25, Ss	2
▲	6 1255358	(30000000- 40000000 )	Screw, Btn, M8 X 1.25 X 85, Ss	4
▲	7 1074204	(30000000- 40000000 )	Knob,Star,2.75d 4ear 1.1l M8x1.25,Thru,Y	4
▲	8 22290	(30000000- 40000000 )	Spring, Cmpr, 0.72od .06wir 02.3l	4
▲	9 32716	(DEC2021- 40000000 )	Nut, Hex, Jam, M10 X 1.5, Ss	4
▲	10 1034731	(DEC2021- 40000000 )	Screw, Hex, M6 X 1.00 X 16, Sems, Ss	4
▲	11 1006343	(30000000- 40000000 )	Caster, Swivel, 50mmd, M10 X 30, Clr PI	2
▲	12 1243364	(DEC2021- 40000000 )	Plate, Caster, Sqge	2
▲	13 12277	(30000000- 40000000 )	Screw, Hex, M6 X 1.00 X 20, NI, Ss	1
▲	14 01684	(30000000- 40000000 )	Washer, Flat, 0.27b 0.69d .05, Ss	1
▲	15 140060	(30000000- 40000000 )	Washer, Wave- Spring, .505 .750 .045	1
▲	16 140154	(30000000- 40000000 )	Sleeve, P/M, 0.25b 0.38d 0.3l, PI	1
▲	17 1222109	(30000000- 40000000 )	Knob, Sqge, 58l, M6 X 1.00, Plstc	1
▲	18 1209631	(30000000- 40000000 )	Cover, Trap, Water, Sqge	1
▲	19 1210756	(30000000- 40000000 )	Gasket, Trap, Water, Sqge	1
▲▽	20 9015734	(30000000- 40000000 )	Blade Kit, 650mm, Linatex/Linard (Standard)	1
▲▲	21 1221585	(30000000- 40000000 )	Blade, Sqge, Rear, 1166l, Linatex[650mm] (Standard)	1
▲▲	22 1232680	(30000000- 40000000 )	Blade, Sqge, Front, 1072l Linard[650mm] (Standard)	1
▲	23 1221260	(30000000- 40000000 )	Retainer, Sqge, 65cm [T500]	1
▽	20 9015735	(30000000- 40000000 )	Blade Kit, 650mm, Urethane (Option)	1
▲	21 1228909	(30000000- 40000000 )	Blade, Sqge, Rear, 1136l,Urethane[650mm] (Option)	1
▲	22 1228915	(30000000- 40000000 )	Blade, Sqge, Front,1072l,Urethane[650mm] (Option)	1
▽	20 9015733	(30000000- 40000000 )	Blade Kit, 650mm, Gum (Option)	1
▲	21 1228910	(30000000- 40000000 )	Blade, Sqge, Rear, 1136l, Gum[650mm] (Option)	1
▲	22 1228919	(30000000- 40000000 )	Blade, Sqge, Front, 1072l Gum[650mm] (Option)	1

▽ ASSEMBLY

▲ INCLUDED IN ASSEMBLY

SQUEEGEE ASSEMBLY, 650MM / 26IN  
(Original Style 9015301 - Replaced By 9021741)

355438



**SQUEEGEE ASSEMBLY, 650MM / 26IN  
(Original Style 9015301 - Replaced By 9021741)**

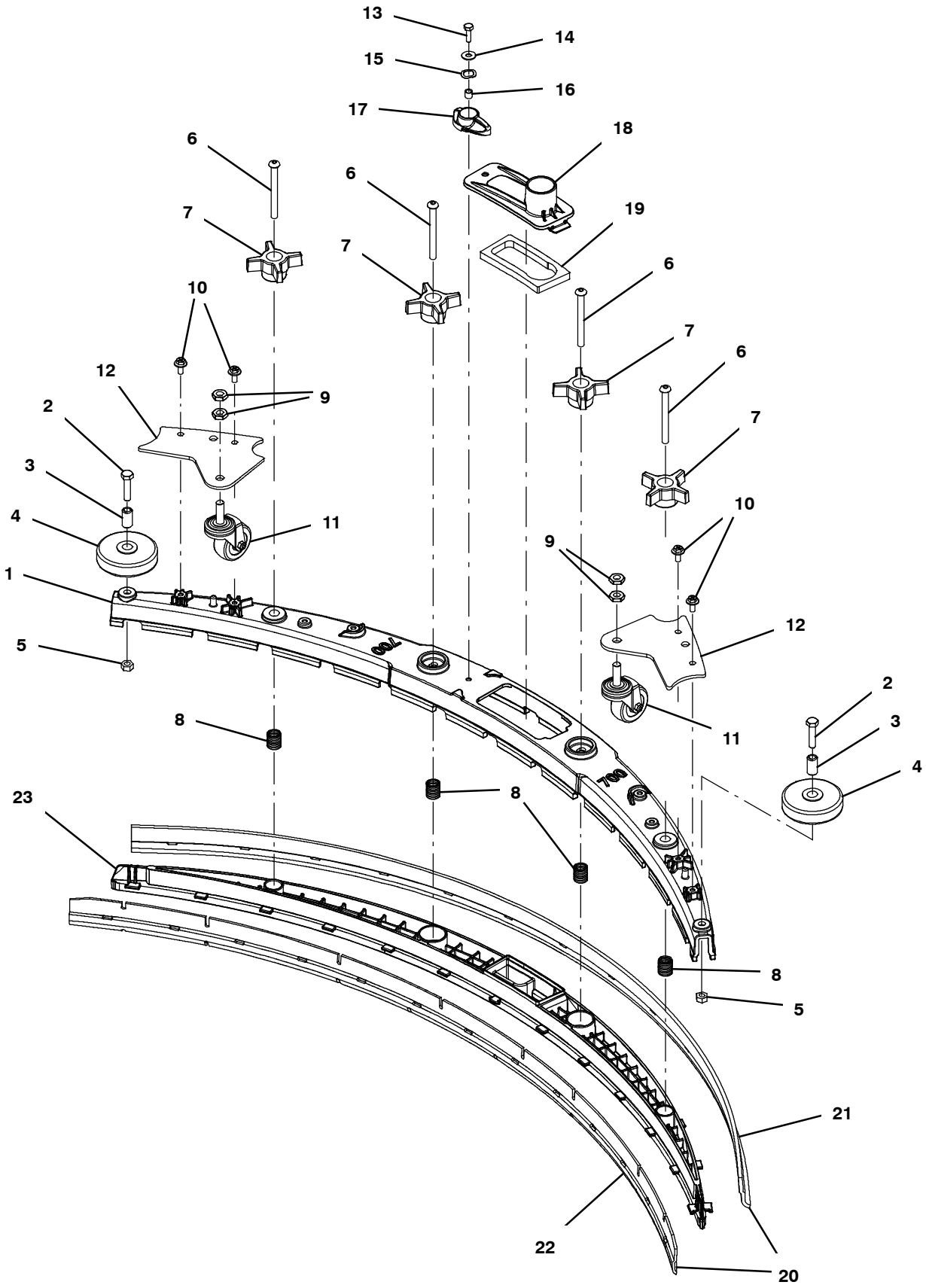
Ref.	Part No.	Serial Number	Description	Qty.
▽	9015301	(30000000- NOV2021 )	Squeegee Kit, 650mm, Ci	1
▲	1 1243537	(30000000- NOV2021 )	Frame, Sqge, 65cm, Mach [T500/T600]	1
▲	2 59658	(30000000- 40000000 )	Screw, Hex, M8 X 1.25 X 35, NI, Ss	2
▲	3 222496	(30000000- 40000000 )	Sleeve, P/M, 0.32b 0.50d 0.9l [430ss]	2
▲	4 222066	(30000000- 40000000 )	Wheel, 03.0d 0.88w 0.50b	2
▲	5 07786	(30000000- 40000000 )	Nut, Hex, Std, M8 X 1.25, Ss	2
▲	6 1255358	(30000000- 40000000 )	Screw, Btn, M8 X 1.25 X 85, Ss	4
▲	7 1074204	(30000000- 40000000 )	Knob,Star,2.75d 4ear 1.1l M8x1.25,Thru,Y	4
▲	8 22290	(30000000- 40000000 )	Spring, Cmpr, 0.72od .06wir 02.3l	4
▲	9 32716	(30000000- NOV2021 )	Nut, Hex, Jam, M10 X 1.5, Ss	2
▲	10 1034731	(30000000- NOV2021 )	Screw, Hex, M6 X 1.00 X 16, Sems, Ss	8
▲	11 1222236	(30000000- NOV2021 )	Bracket Wldt, Caster, Rh Sqge[T500]	1
▲	12 1006343	(30000000- 40000000 )	Caster, Swivel, 50mmd, M10 X 30, Clr PI	2
▲	13 1222001	(30000000- NOV2021 )	Bracket Wldt, Caster, Lh Sqge [T500]	1
▲	14 12277	(30000000- 40000000 )	Screw, Hex, M6 X 1.00 X 20, NI, Ss	1
▲	15 01684	(30000000- 40000000 )	Washer, Flat, 0.27b 0.69d .05, Ss	1
▲	16 140060	(30000000- 40000000 )	Washer, Wave- Spring, .505 .750 .045	1
▲	17 140154	(30000000- 40000000 )	Sleeve, P/M, 0.25b 0.38d 0.3l, PI	1
▲	18 1222109	(30000000- 40000000 )	Knob, Sqge, 58l, M6 X 1.00, Plstc	1
▲	19 1209631	(30000000- 40000000 )	Cover, Trap, Water, Sqge	1
▲	20 1210756	(30000000- 40000000 )	Gasket, Trap, Water, Sqge	1
▲▽	21 9015734	(30000000- 40000000 )	Blade Kit, 650mm, Linatex (Standard)	1
▲▲	22 1221585	(30000000- 40000000 )	Blade, Sqge, Rear, 1166l, Linatex[650mm] (Standard)	1
▲▲	23 1232680	(30000000- 40000000 )	Blade, Sqge, Front, 1072l Linard[650mm] (Standard)	1
▲	24 1221260	(30000000- 40000000 )	Retainer, Sqge, 65cm [T500]	1
▲	25 1230738	(30000000- NOV2021 )	Bracket, Sqge Bumper	2
▽	21 9015735	(30000000- 40000000 )	Blade Kit, 650mm, Urethane (Option)	1
▲	22 1228909	(30000000- 40000000 )	Blade, Sqge, Rear, 1136l,Urethane[650mm] (Option)	1
▲	23 1228915	(30000000- 40000000 )	Blade, Sqge, Front,1072l,Urethane[650mm] (Option)	1
▽	21 9015733	(30000000- 40000000 )	Blade Kit, 650mm, Gum (Option)	1
▲	22 1228910	(30000000- 40000000 )	Blade, Sqge, Rear, 1136l, Gum[650mm] (Option)	1
▲	23 1228919	(30000000- 40000000 )	Blade, Sqge, Front, 1072l Gum[650mm] (Option)	1

▽ ASSEMBLY

▲ INCLUDED IN ASSEMBLY

SQUEEGEE ASSEMBLY, 700MM / 28IN  
(New Style 9021742)

355839



**SQUEEGEE ASSEMBLY, 700MM / 28IN  
(New Style 9021742)**

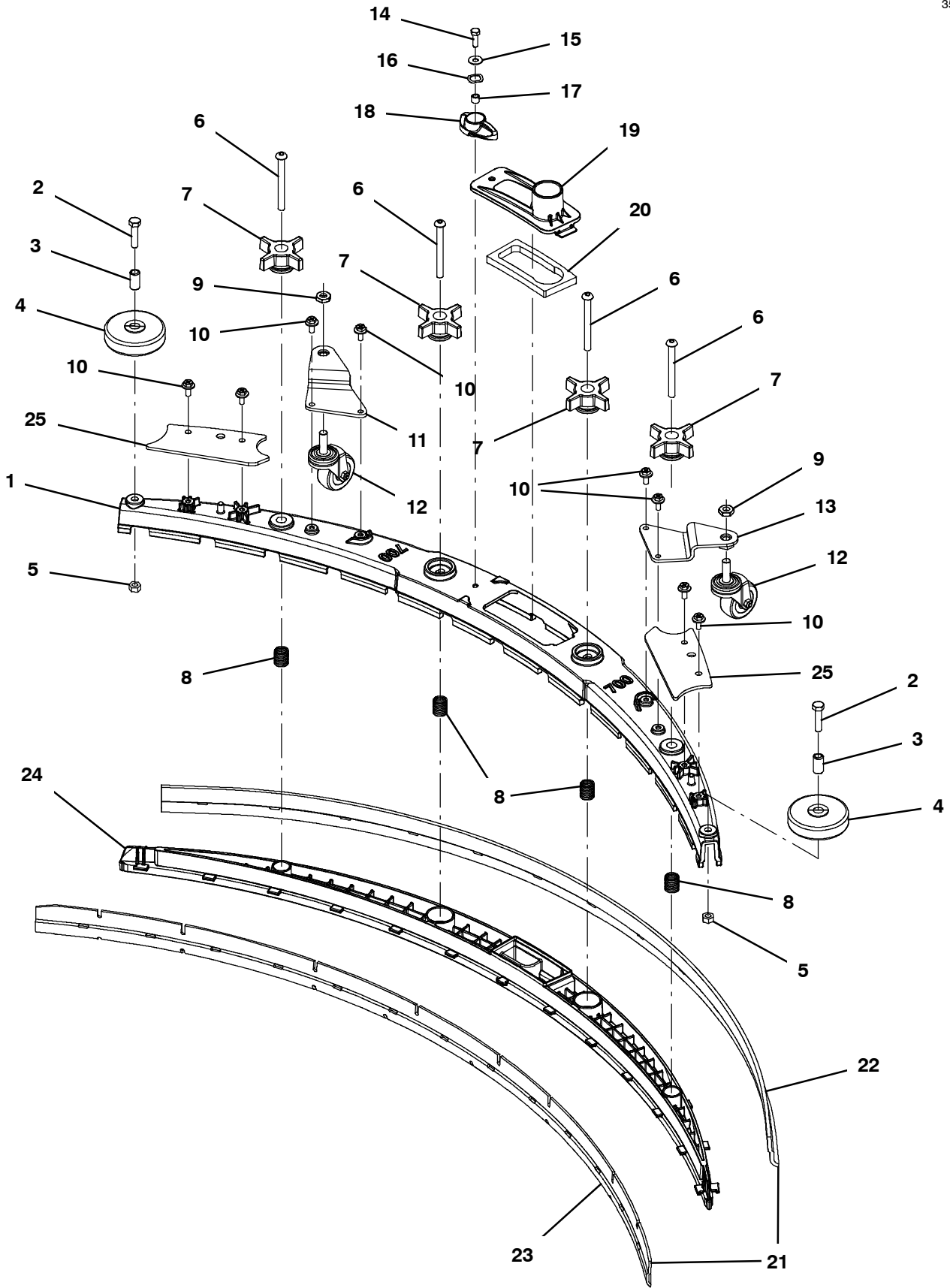
Ref.	Part No.	Serial Number	Description	Qty.
▽		9021742	(DEC2021- 40000000 ) Squeegee Kit, 700mm	1
▲	1	1241632	(DEC2021- 40000000 ) Frame, Sqge, 70cm, Mach [T500/T600]	1
▲	2	59658	(30000000- 40000000 ) Screw, Hex, M8 X 1.25 X 35, NI, Ss	2
▲	3	222496	(30000000- 40000000 ) Sleeve, P/M, 0.32b 0.50d 0.9l [430ss]	2
▲	4	222066	(30000000- 40000000 ) Wheel, 03.0d 0.88w 0.50b	2
▲	5	07786	(30000000- 40000000 ) Nut, Hex, Std, M8 X 1.25, Ss	2
▲	6	1255358	(30000000- 40000000 ) Screw, Btn, M8 X 1.25 X 85, Ss	4
▲	7	1074204	(30000000- 40000000 ) Knob,Star,2.75d 4ear 1.1l M8x1.25,Thru,Y	4
▲	8	22290	(30000000- 40000000 ) Spring, Cmpr, 0.72od .06wir 02.3l	4
▲	9	32716	(DEC2021- 40000000 ) Nut, Hex, Jam, M10 X 1.5, Ss	4
▲	10	1034731	(DEC2021- 40000000 ) Screw, Hex, M6 X 1.00 X 16, Sems, Ss	4
▲	11	1006343	(30000000- 40000000 ) Caster, Swivel, 50mmd, M10 X 30, Clr PI	2
▲	12	1243364	(DEC2021- 40000000 ) Plate, Caster, Sqge	2
▲	13	12277	(30000000- 40000000 ) Screw, Hex, M6 X 1.00 X 20, NI, Ss	1
▲	14	01684	(30000000- 40000000 ) Washer, Flat, 0.27b 0.69d .05, Ss	1
▲	15	140060	(30000000- 40000000 ) Washer, Wave- Spring, .505 .750 .045	1
▲	16	140154	(30000000- 40000000 ) Sleeve, P/M, 0.25b 0.38d 0.3l, PI	1
▲	17	1222109	(30000000- 40000000 ) Knob, Sqge, 58l, M6 X 1.00, Plstc	1
▲	18	1209631	(30000000- 40000000 ) Cover, Trap, Water, Sqge	1
▲	19	1210756	(30000000- 40000000 ) Gasket, Trap, Water, Sqge	1
▲▽	20	9015737	(30000000- 40000000 ) Blade Kit, 700mm, Linatex/Linard (Standard)	1
▲▲	21	1221572	(30000000- 40000000 ) Blade, Sqge, Rear, 1204l, Linatex[700mm] (Standard)	1
▲▲	22	1232679	(30000000- 40000000 ) Blade, Sqge, Front, 1148l Linard[700mm] (Standard)	1
▲	23	1220783	(30000000- 40000000 ) Retainer, Sqge, 70cm [T500]	1
▽	20	9015738	(30000000- 40000000 ) Blade Kit, 700mm, Urethane (Option)	1
▲	21	1228904	(30000000- 40000000 ) Blade, Sqge, Rear, 1204l,Urethane[700mm] (Option)	1
▲	22	1228906	(30000000- 40000000 ) Blade, Sqge, Front,1148l Urethane[700mm] (Option)	1
▽	20	9015736	(30000000- 40000000 ) Blade Kit, 700mm, Gum (Option)	1
▲	21	1228905	(30000000- 40000000 ) Blade, Sqge, Rear, 1204l, Gum[700mm] (Option)	1
▲	22	1228907	(30000000- 40000000 ) Blade, Sqge, Front, 1148l Gum[700mm] (Option)	1

▽ ASSEMBLY

▲ INCLUDED IN ASSEMBLY

SQUEEGEE ASSEMBLY, 700MM / 28IN  
(Original Style 9015302 - Replaced By 9021742)

355439





**SQUEEGEE ASSEMBLY, 700MM / 28IN**  
**(Original Style 9015302 - Replaced By 9021742)**

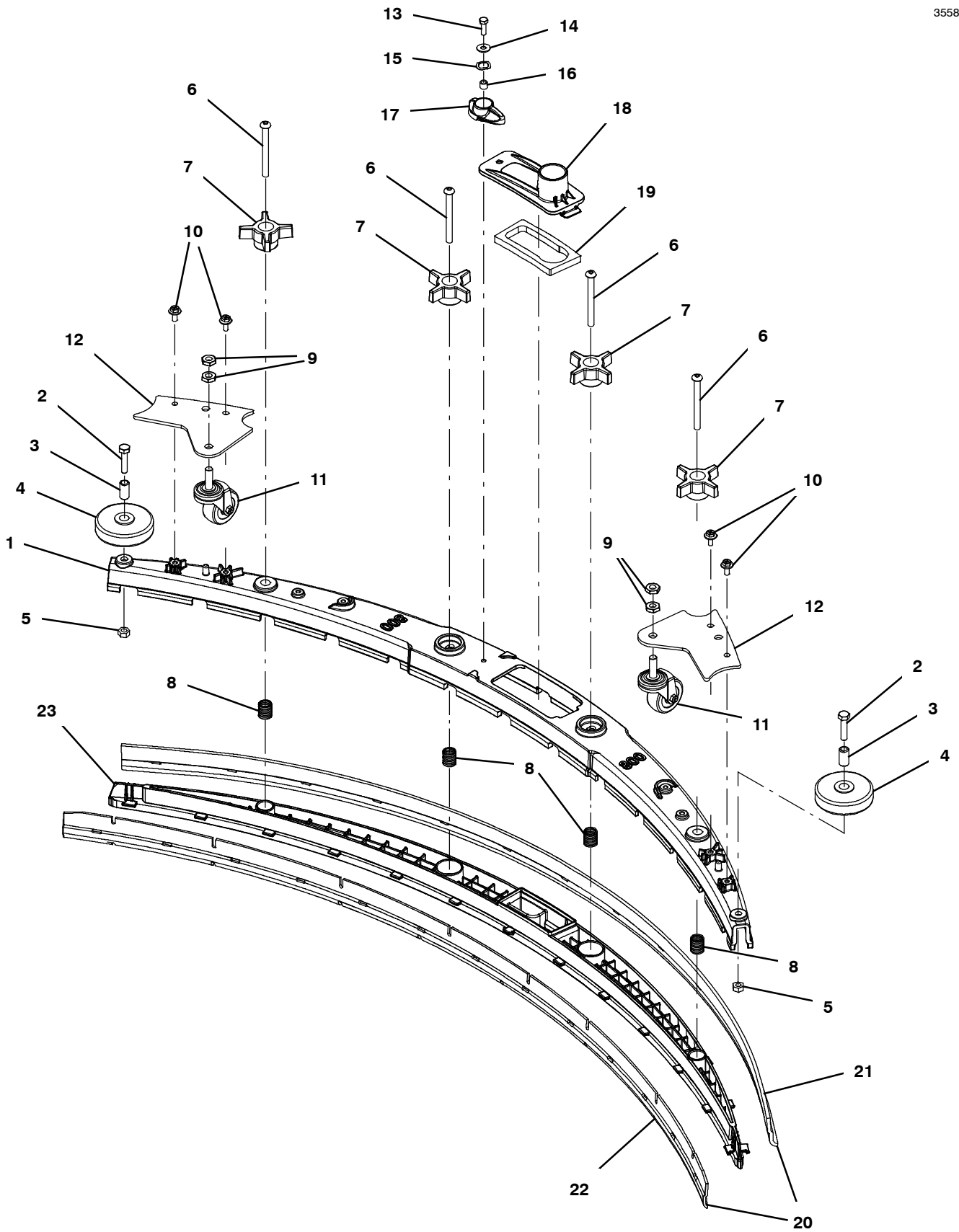
Ref.	Part No.	Serial Number	Description	Qty.
▽	9015302	(30000000- NOV2021 )	Squeegee Kit, 700mm, Ci	1
▲	1 1241632	(30000000- NOV2021 )	Frame, Sqge, 70cm, Mach [T500/T600]	1
▲	2 59658	(30000000- 40000000 )	Screw, Hex, M8 X 1.25 X 35, NI, Ss	2
▲	3 222496	(30000000- 40000000 )	Sleeve, P/M, 0.32b 0.50d 0.9l [430ss]	2
▲	4 222066	(30000000- 40000000 )	Wheel, 03.0d 0.88w 0.50b	2
▲	5 07786	(30000000- 40000000 )	Nut, Hex, Std, M8 X 1.25, Ss	2
▲	6 1255358	(30000000- 40000000 )	Screw, Btn, M8 X 1.25 X 85, Ss	4
▲	7 1074204	(30000000- 40000000 )	Knob,Star,2.75d 4ear 1.1l M8x1.25,Thru,Y	4
▲	8 22290	(30000000- 40000000 )	Spring, Cmpr, 0.72od .06wir 02.3l	4
▲	9 32716	(30000000- NOV2021 )	Nut, Hex, Jam, M10 X 1.5, Ss	2
▲	10 1034731	(30000000- NOV2021 )	Screw, Hex, M6 X 1.00 X 16, Sems, Ss	8
▲	11 1222236	(30000000- NOV2021 )	Bracket Wldt, Caster, Rh Sqge[T500]	1
▲	12 1006343	(30000000- 40000000 )	Caster, Swivel, 50mmd, M10 X 30, Clr PI	2
▲	13 1222001	(30000000- NOV2021 )	Bracket Wldt, Caster, Lh Sqge [T500]	1
▲	14 12277	(30000000- 40000000 )	Screw, Hex, M6 X 1.00 X 20, NI, Ss	1
▲	15 01684	(30000000- 40000000 )	Washer, Flat, 0.27b 0.69d .05, Ss	1
▲	16 140060	(30000000- 40000000 )	Washer, Wave- Spring, .505 .750 .045	1
▲	17 140154	(30000000- 40000000 )	Sleeve, P/M, 0.25b 0.38d 0.3l, PI	1
▲	18 1222109	(30000000- 40000000 )	Knob, Sqge, 58l, M6 X 1.00, Plstc	1
▲	19 1209631	(30000000- 40000000 )	Cover, Trap, Water, Sqge	1
▲	20 1210756	(30000000- 40000000 )	Gasket, Trap, Water, Sqge	1
▲▽	21 9015737	(30000000- 40000000 )	Blade Kit, 700mm, Linatex (Standard)	1
▲▲	22 1221572	(30000000- 40000000 )	Blade, Sqge, Rear, 1204l, Linatex[700mm] (Standard)	1
▲▲	23 1232679	(30000000- 40000000 )	Blade, Sqge, Front, 1148l Linard[700mm] (Standard)	1
▲	24 1220783	(30000000- 40000000 )	Retainer, Sqge, 70cm [T500]	1
▲	25 1230738	(30000000- NOV2021 )	Bracket, Sqge Bumper	2
▽	21 9015738	(30000000- 40000000 )	Blade Kit, 700mm, Urethane (Option)	1
▲	22 1228904	(30000000- 40000000 )	Blade, Sqge, Rear, 1204l,Urethane[700mm] (Option)	1
▲	23 1228906	(30000000- 40000000 )	Blade, Sqge, Front,1148l Urethane[700mm] (Option)	1
▽	21 9015736	(30000000- 40000000 )	Blade Kit, 700mm, Gum (Option)	1
▲	22 1228905	(30000000- 40000000 )	Blade, Sqge, Rear, 1204l, Gum[700mm] (Option)	1
▲	23 1228907	(30000000- 40000000 )	Blade, Sqge, Front, 1148l Gum[700mm] (Option)	1

▽ ASSEMBLY

▲ INCLUDED IN ASSEMBLY

SQUEEGEE ASSEMBLY, 800MM / 32IN  
(New Style 9021743)

355840



**SQUEEGEE ASSEMBLY, 800MM / 32IN**  
**(New Style 9021743)**

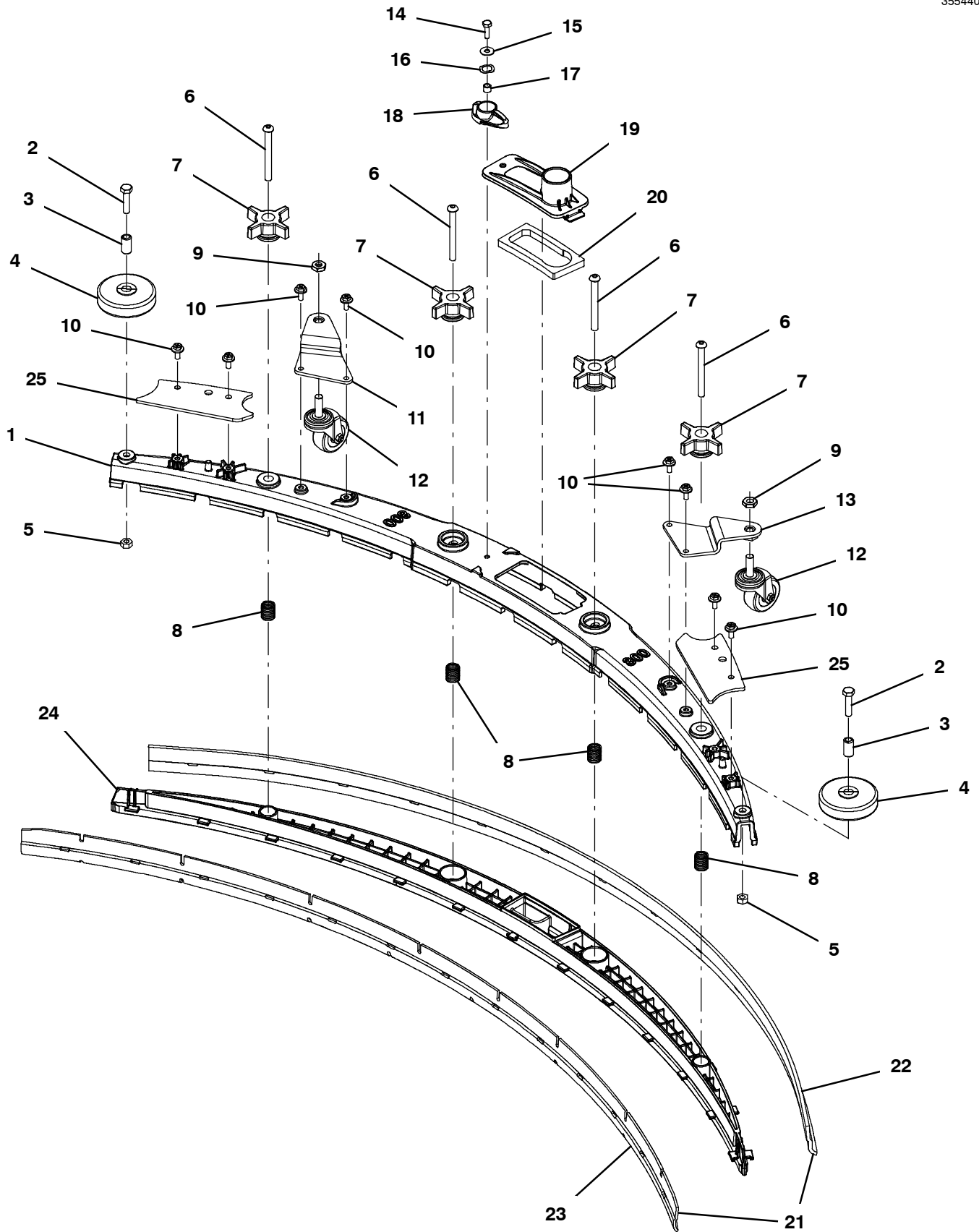
Ref.	Part No.	Serial Number	Description	Qty.
▽	9021743	(DEC2021- 40000000 )	Squeegee Kit, 800mm	1
▲	1 1243538	(DEC2021- 40000000 )	Frame, Sqge, 80cm, Mach [T500/T600]	1
▲	2 59658	(30000000- 40000000 )	Screw, Hex, M8 X 1.25 X 35, NI, Ss	2
▲	3 222496	(30000000- 40000000 )	Sleeve, P/M, 0.32b 0.50d 0.9l [430ss]	2
▲	4 222066	(30000000- 40000000 )	Wheel, 03.0d 0.88w 0.50b	2
▲	5 07786	(30000000- 40000000 )	Nut, Hex, Std, M8 X 1.25, Ss	2
▲	6 1255358	(30000000- 40000000 )	Screw, Btn, M8 X 1.25 X 85, Ss	4
▲	7 1074204	(30000000- 40000000 )	Knob,Star,2.75d 4ear 1.1l M8x1.25,Thru,Y	4
▲	8 22290	(30000000- 40000000 )	Spring, Cmpr, 0.72od .06wir 02.3l	4
▲	9 32716	(DEC2021- 40000000 )	Nut, Hex, Jam, M10 X 1.5, Ss	4
▲	10 1034731	(DEC2021- 40000000 )	Screw, Hex, M6 X 1.00 X 16, Sems, Ss	4
▲	11 1006343	(30000000- 40000000 )	Caster, Swivel, 50mmd, M10 X 30, Clr PI	2
▲	12 1243364	(DEC2021- 40000000 )	Plate, Caster, Sqge	2
▲	13 12277	(30000000- 40000000 )	Screw, Hex, M6 X 1.00 X 20, NI, Ss	1
▲	14 01684	(30000000- 40000000 )	Washer, Flat, 0.27b 0.69d .05, Ss	1
▲	15 140060	(30000000- 40000000 )	Washer, Wave- Spring, .505 .750 .045	1
▲	16 140154	(30000000- 40000000 )	Sleeve, P/M, 0.25b 0.38d 0.3l, PI	1
▲	17 1222109	(30000000- 40000000 )	Knob, Sqge, 58l, M6 X 1.00, Plstc	1
▲	18 1209631	(30000000- 40000000 )	Cover, Trap, Water, Sqge	1
▲	19 1210756	(30000000- 40000000 )	Gasket, Trap, Water, Sqge	1
▲▽	20 9015740	(30000000- 40000000 )	Blade Kit, 800mm, Linatex/Linard (Standard)	1
▲▲	21 1221115	(30000000- 40000000 )	Blade, Sqge, Rear, 1306l, Linatex[800mm] (Standard)	1
▲▲	22 1232681	(30000000- 40000000 )	Blade, Sqge, Front, 1256l Linard[800mm] (Standard)	1
▲	23 1219405	(30000000- 40000000 )	Retainer, Sqge, 80cm [T500]	1
▽	20 9015741	(30000000- 40000000 )	Blade Kit, 800mm, Urethane (Option)	1
▲	21 1228920	(30000000- 40000000 )	Blade, Sqge, Rear, 1306l,Urethane[800mm] (Option)	1
▲	22 1228922	(30000000- 40000000 )	Blade, Sqge, Front,1256l Urethane[800mm] (Option)	1
▽	20 9015739	(30000000- 40000000 )	Blade Kit, 800mm, Gum (Option)	1
▲	21 1228921	(30000000- 40000000 )	Blade, Sqge, Rear, 1306l, Gum[800mm] (Option)	1
▲	22 1228923	(30000000- 40000000 )	Blade, Sqge, Front, 1256l Gum[800mm] (Option)	1

▽ ASSEMBLY

▲ INCLUDED IN ASSEMBLY

**SQUEEGEE ASSEMBLY, 800MM / 32IN**  
(Original Style 9015303 - Replaced By 9021743)

355440



**SQUEEGEE ASSEMBLY, 800MM / 32IN**  
**(Original Style 9015303 - Replaced By 9021743)**

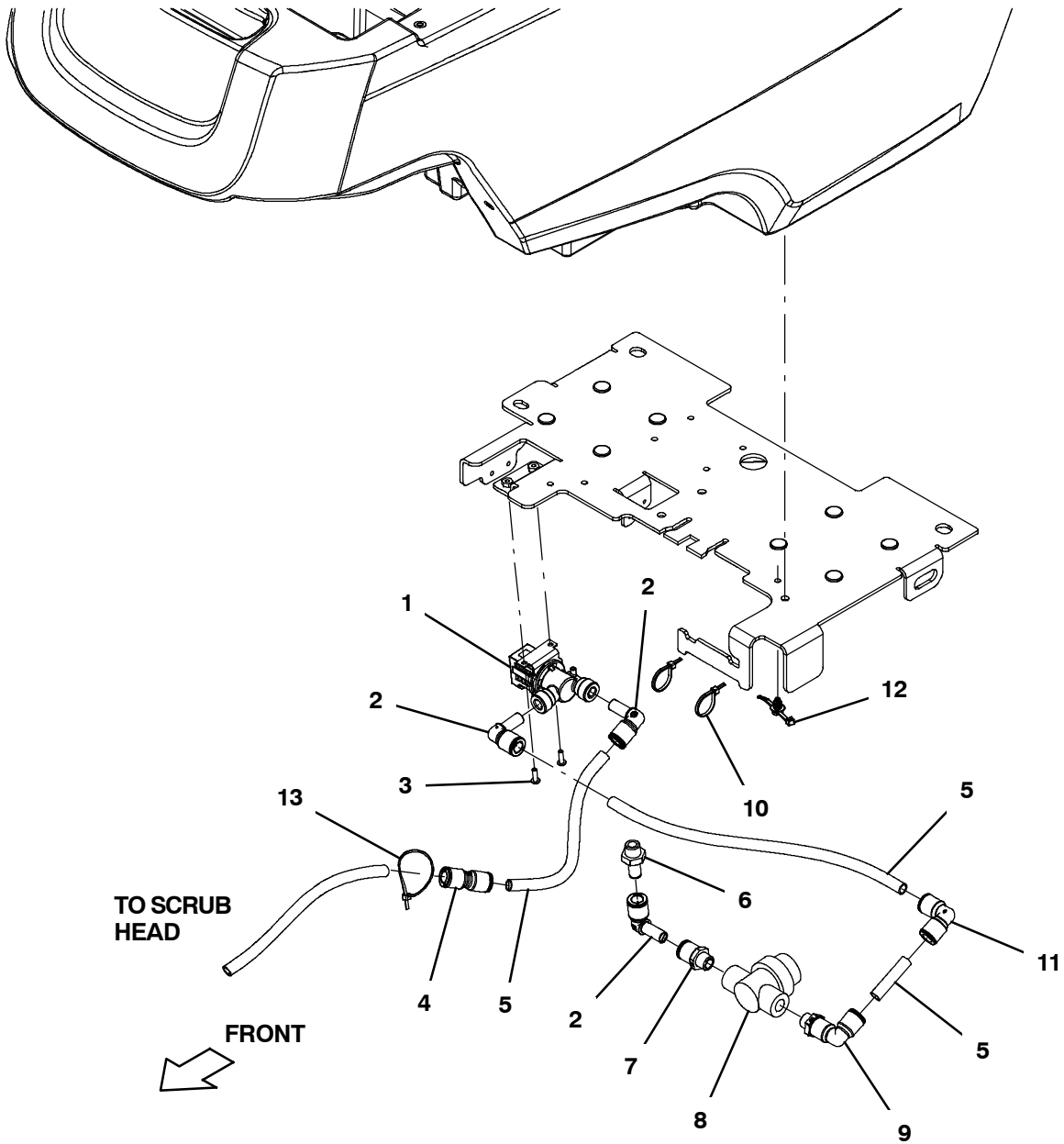
Ref.	Part No.	Serial Number	Description	Qty.
▽	9015303	(30000000- NOV2021 )	Squeegee Kit, 800mm, Ci	1
▲	1 1243538	(30000000- NOV2021 )	Frame, Sqge, 80cm, Mach [T500/T600]	1
▲	2 59658	(30000000- 40000000 )	Screw, Hex, M8 X 1.25 X 35, NI, Ss	2
▲	3 222496	(30000000- 40000000 )	Sleeve, P/M, 0.32b 0.50d 0.9l [430ss]	2
▲	4 222066	(30000000- 40000000 )	Wheel, 03.0d 0.88w 0.50b	2
▲	5 07786	(30000000- 40000000 )	Nut, Hex, Std, M8 X 1.25, Ss	2
▲	6 1255358	(30000000- 40000000 )	Screw, Btn, M8 X 1.25 X 85, Ss	4
▲	7 1074204	(30000000- 40000000 )	Knob,Star,2.75d 4ear 1.1l M8x1.25,Thru,Y	4
▲	8 22290	(30000000- 40000000 )	Spring, Cmpr, 0.72od .06wir 02.3l	4
▲	9 32716	(30000000- NOV2021 )	Nut, Hex, Jam, M10 X 1.5, Ss	2
▲	10 1034731	(30000000- NOV2021 )	Screw, Hex, M6 X 1.00 X 16, Sems, Ss	8
▲	11 1222236	(30000000- NOV2021 )	Bracket Wldt, Caster, Rh Sqge[T500]	1
▲	12 1006343	(30000000- 40000000 )	Caster, Swivel, 50mmd, M10 X 30, Clr PI	2
▲	13 1222001	(30000000- NOV2021 )	Bracket Wldt, Caster, Lh Sqge [T500]	1
▲	14 12277	(30000000- 40000000 )	Screw, Hex, M6 X 1.00 X 20, NI, Ss	1
▲	15 01684	(30000000- 40000000 )	Washer, Flat, 0.27b 0.69d .05, Ss	1
▲	16 140060	(30000000- 40000000 )	Washer, Wave- Spring, .505 .750 .045	1
▲	17 140154	(30000000- 40000000 )	Sleeve, P/M, 0.25b 0.38d 0.3l, PI	1
▲	18 1222109	(30000000- 40000000 )	Knob, Sqge, 58l, M6 X 1.00, Plstc	1
▲	19 1209631	(30000000- 40000000 )	Cover, Trap, Water, Sqge	1
▲	20 1210756	(30000000- 40000000 )	Gasket, Trap, Water, Sqge	1
▲▽	21 9015740	(30000000- 40000000 )	Blade Kit, 800mm, Linatex (Standard)	1
▲▲	22 1221115	(30000000- 40000000 )	Blade, Sqge, Rear, 1306l, Linatex[800mm] (Standard)	1
▲▲	23 1232681	(30000000- 40000000 )	Blade, Sqge, Front, 1256l Linard[800mm] (Standard)	1
▲	24 1219894	(30000000- 40000000 )	Frame, Sqge, 80cm, Mach [T500]	1
▲	25 1230738	(30000000- NOV2021 )	Bracket, Sqge Bumper	2
▽	21 9015741	(30000000- 40000000 )	Blade Kit, 800mm, Urethane (Option)	1
▲	22 1228920	(30000000- 40000000 )	Blade, Sqge, Rear, 1306l,Urethane[800mm] (Option)	1
▲	23 1228922	(30000000- 40000000 )	Blade, Sqge, Front,1256l Urethane[800mm] (Option)	1
▽	21 9015739	(30000000- 40000000 )	Blade Kit, 800mm, Gum (Option)	1
▲	22 1228921	(30000000- 40000000 )	Blade, Sqge, Rear, 1306l, Gum[800mm] (Option)	1
▲	23 1228923	(30000000- 40000000 )	Blade, Sqge, Front, 1256l Gum[800mm] (Option)	1

▽ ASSEMBLY

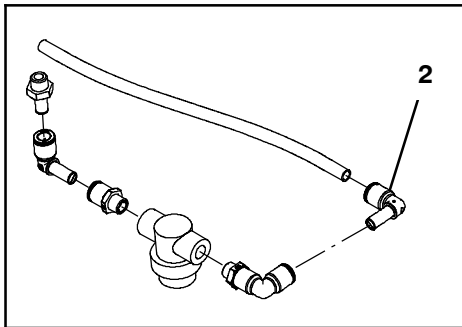
▲ INCLUDED IN ASSEMBLY

STANDARD SOLUTION GROUP

355435



(S/N 3000000 - xxxxxxxx)



## STANDARD SOLUTION GROUP

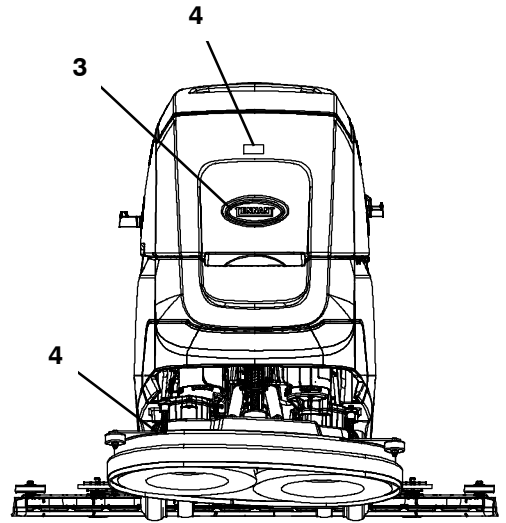
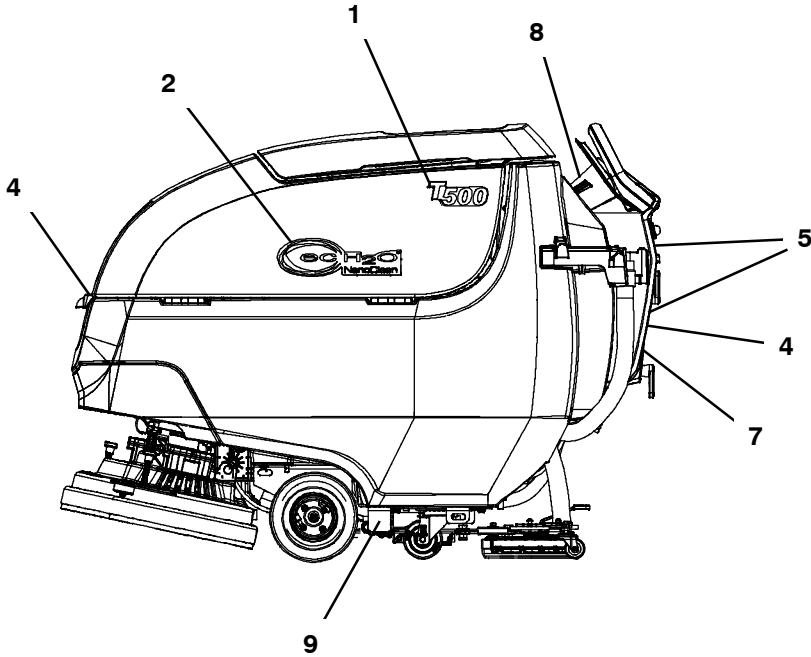
Ref.	Part No.	Serial Number	Description	Qty.	
1	1211424	(30000000- 40000000 )	Valve, Water, Solenoid, 24vdc Qf08/Qf08	1	
2	1212809	(xxxxxxxx- 40000000 )	Fitting, Plstc, E90, Qf08/Qm08	3	
2	1212809	(30000000- xxxxxxxx )	Fitting, Plstc, E90, Qf08/Qm08	4	
3	1205799	(30000000- 40000000 )	Screw, Btn, M5 X 0.8 X 16, 8.8, NI, Torx	2	
4	1212859	(30000000- 40000000 )	Fitting, Plstc, Str, Qf08/Qf08	1	
5	9014145	(30000000- 40000000 )	Hose, Afrmkt, Pe, .375id .50od, 05ft	1	
6	1227552	(30000000- 40000000 )	Fitting, Plstc, Str, Qm08/Pm06	1	
7	1212813	(30000000- 40000000 )	Fitting, Plstc, Str, Qf08/Pm06	1	
▽	8	1211537	(30000000- 40000000 )	Filter, In- Line, Pf06/Pf06 080m 2.6l Epd	1
▲	1218885	(30000000- 40000000 )	Gasket [Epdm, F/1211537]	1	
▲	1218883	(30000000- 40000000 )	Screen, Fltr, 80 Mesh, Ss [W/ Cage]	1	
▲	613991	(30000000- 40000000 )	Bowl, Clr, Short, F/1005302	1	
9	1212987	(30000000- 40000000 )	Fitting, Plstc, E90, Qf08/Pm06, Swivel	1	
10	130773	(30000000- 40000000 )	Tie, Cable, Nyl, 11.0l, .14w, 3.0 Max. D	2	
11	1221945	(xxxxxxxx- 40000000 )	Fitting, Plstc, E90, Qf08/Qf08	1	
12	1210807	(xxxxxxxx- 40000000 )	Wire, Tie [W/.25" Fir Tree Clip]	1	
13	130773	(30000000- 40000000 )	Tie, Cable, Nyl, 11.0l, .14w, 3.0 Max. D	2	

▽ ASSEMBLY

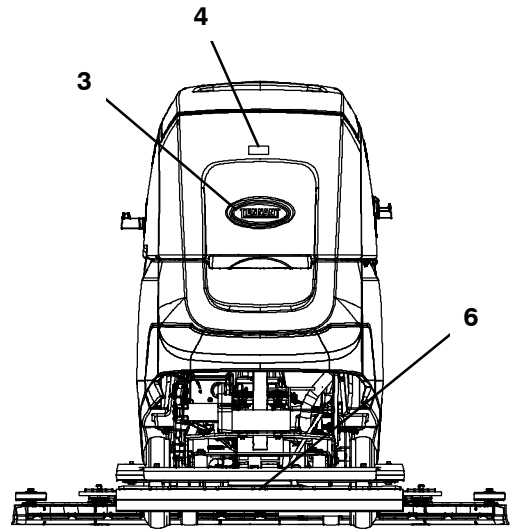
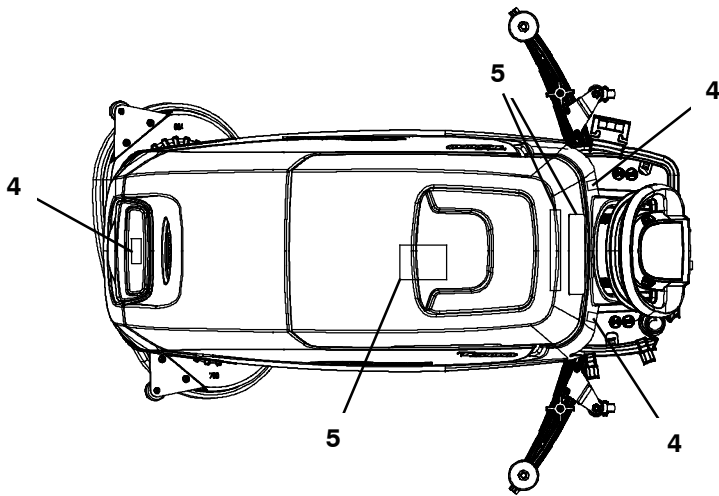
▲ INCLUDED IN ASSEMBLY

LABEL GROUP

355497



DISK & CYLINDRICAL HEAD



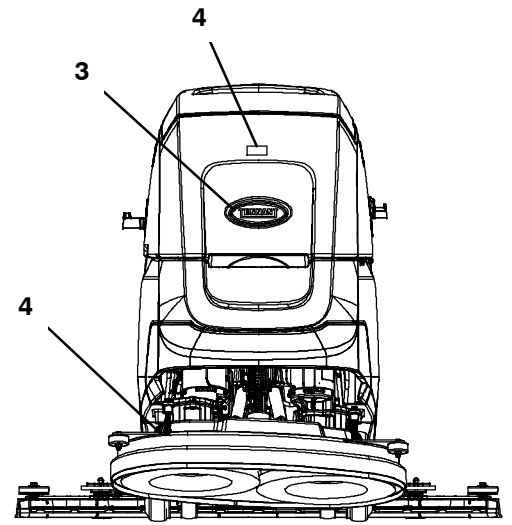
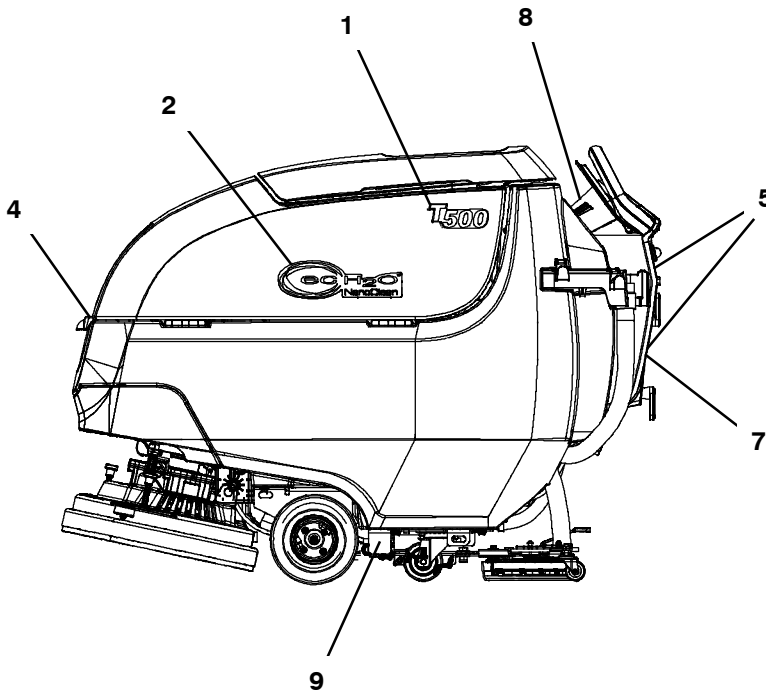
ORBITAL HEAD

Ref.	Part No.	Serial Number	Description	Qty.
1	1224983	(30000000- 40000000 )	Label, T500	2
2	1216520	(30000000- 40000000 )	Label, Logo [Ech2o Nano]	2
3	1213114	(30000000- 40000000 )	Label, Logo, 05.5l, Blk/Sil [Tennant]	1
4	1220963	(30000000- 40000000 )	Label Sheet, Info/Hzrd [T500, Ce]	1
5	1220965	(30000000- 40000000 )	Label Sheet, Operational [T500]	1
6	1224995	(30000000- 40000000 )	Label, Orbital, Size, 70cm	1
7	1225763	(30000000- 40000000 )	Label, Decal, Charger, Off- Board	1
8	1229725	(30000000- 40000000 )	Label, Warning [Do Not Spray]	1
9	1231798	(xxxxxxx- 40000000 )	Label, Info, Filter	1

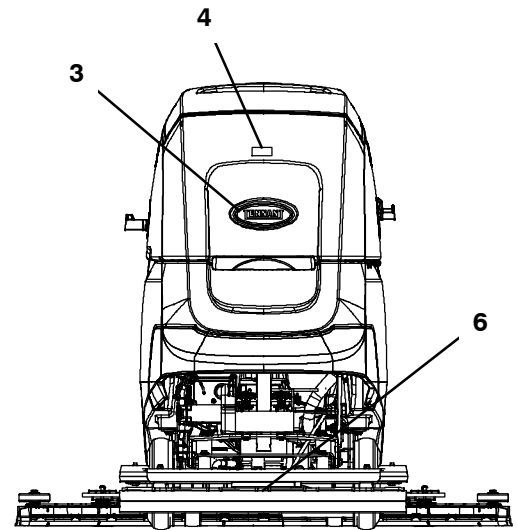
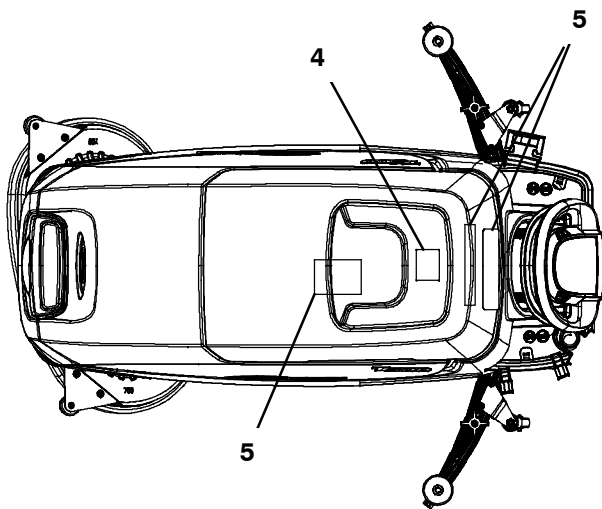


LABEL GROUP (JAPAN)

355499



DISK & CYLINDRICAL HEAD

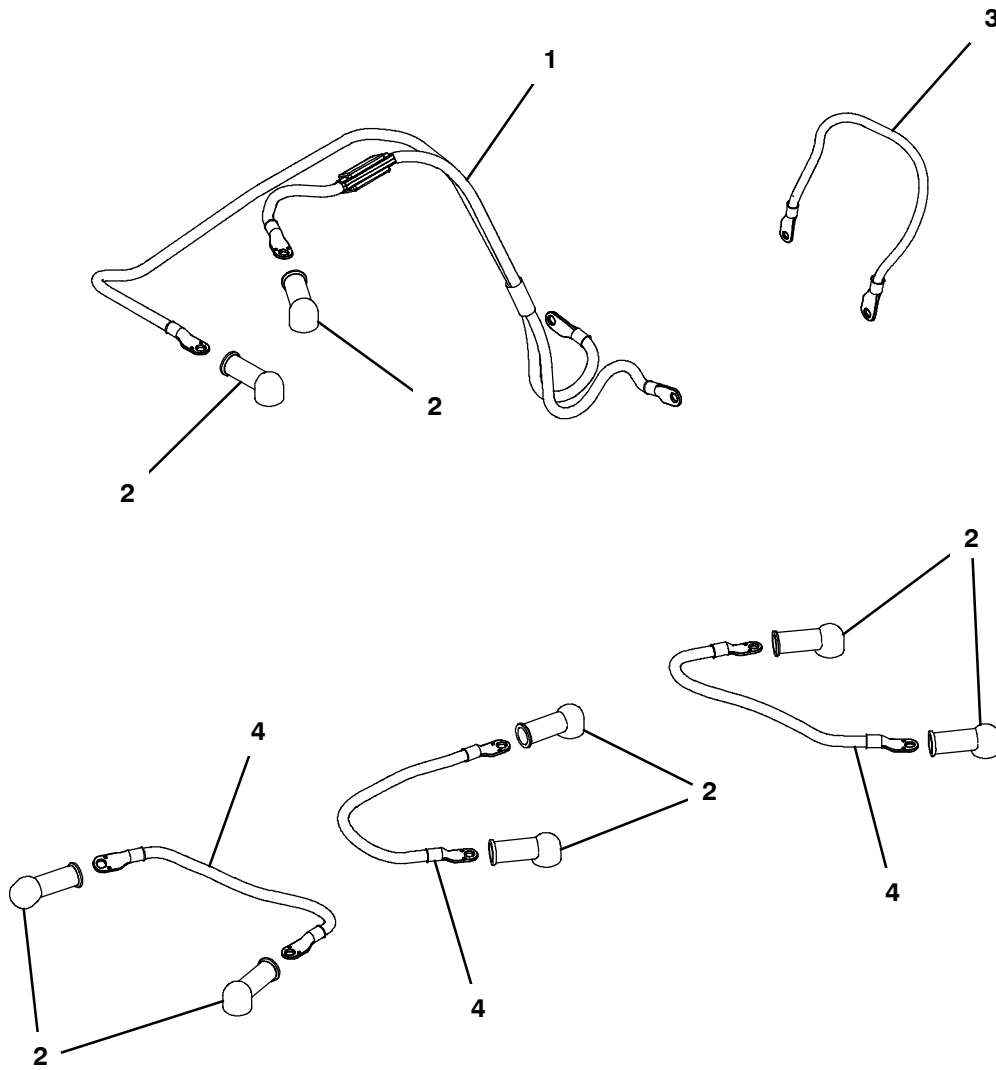


ORBITAL HEAD

Ref.	Part No.	Serial Number	Description	Qty.
1	1224983	(30000000- 40000000 )	Label, T500	2
2	1216520	(30000000- 40000000 )	Label, Logo [Ech2o Nano]	2
3	1213114	(30000000- 40000000 )	Label, Logo, 05.5l, Blk/Sil [Tennant]	1
4	1220966	(30000000- 40000000 )	Label Sheet, Data [T500, Jp]	1
5	1220965	(30000000- 40000000 )	Label Sheet, Operational [T500]	1
6	1224995	(30000000- 40000000 )	Label, Orbital, Size, 70cm	1
7	1225763	(30000000- 40000000 )	Label, Decal, Charger, Off- Board	1
8	1229725	(30000000- 40000000 )	Label, Warning [Do Not Spray]	1
9	1231798	(xxxxxxx- 40000000 )	Label, Info, Filter	1

**STANDARD BATTERY CABLES GROUP**

355456



Ref.	Part No.	Serial Number	Description	Qty.
1	1074942	(30000000- 40000000 )	Cable, Assy [T500,T500e]	1
2	611221	(30000000- 40000000 )	Boot, Terminal, Battery, 25.4mm, Blk	8
3	1074945	(30000000- 40000000 )	Cable, 04ga 15.0l Red [M8 Ring/M6 Ring]	1
4	1073680	(30000000- 40000000 )	Cable, 04ga 15.0l Blk [M8 Ring/M8 Ring]	3



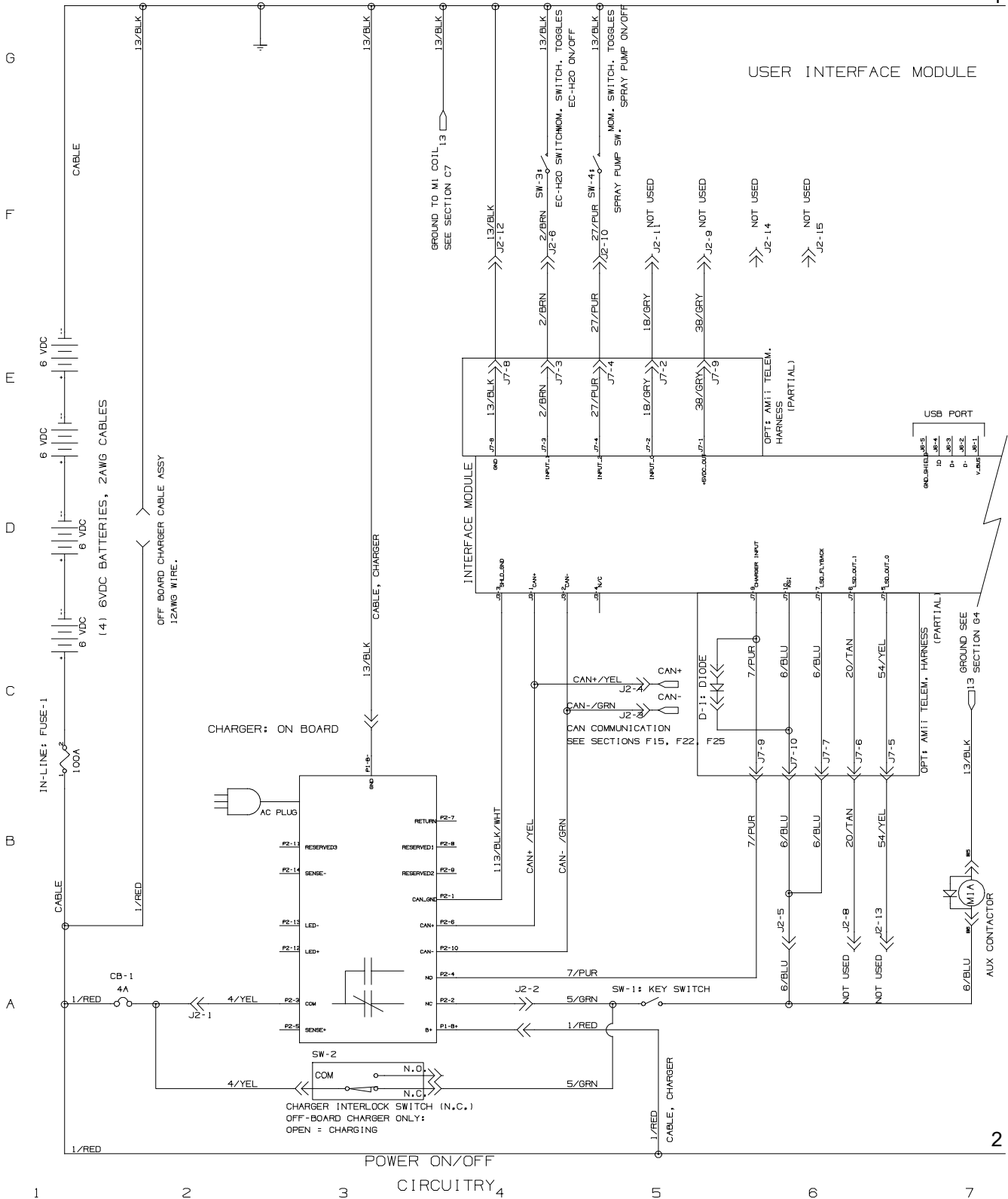
ELECTRICAL DIAGRAM (PAGE 1 OF 6)  
(S/N JUN2021 - )

1075014\_02

BATTERY /  
CHARGER  
SYSTEMS

T500 WITH STANDARD LEAD ACID BATTERIES

1



2

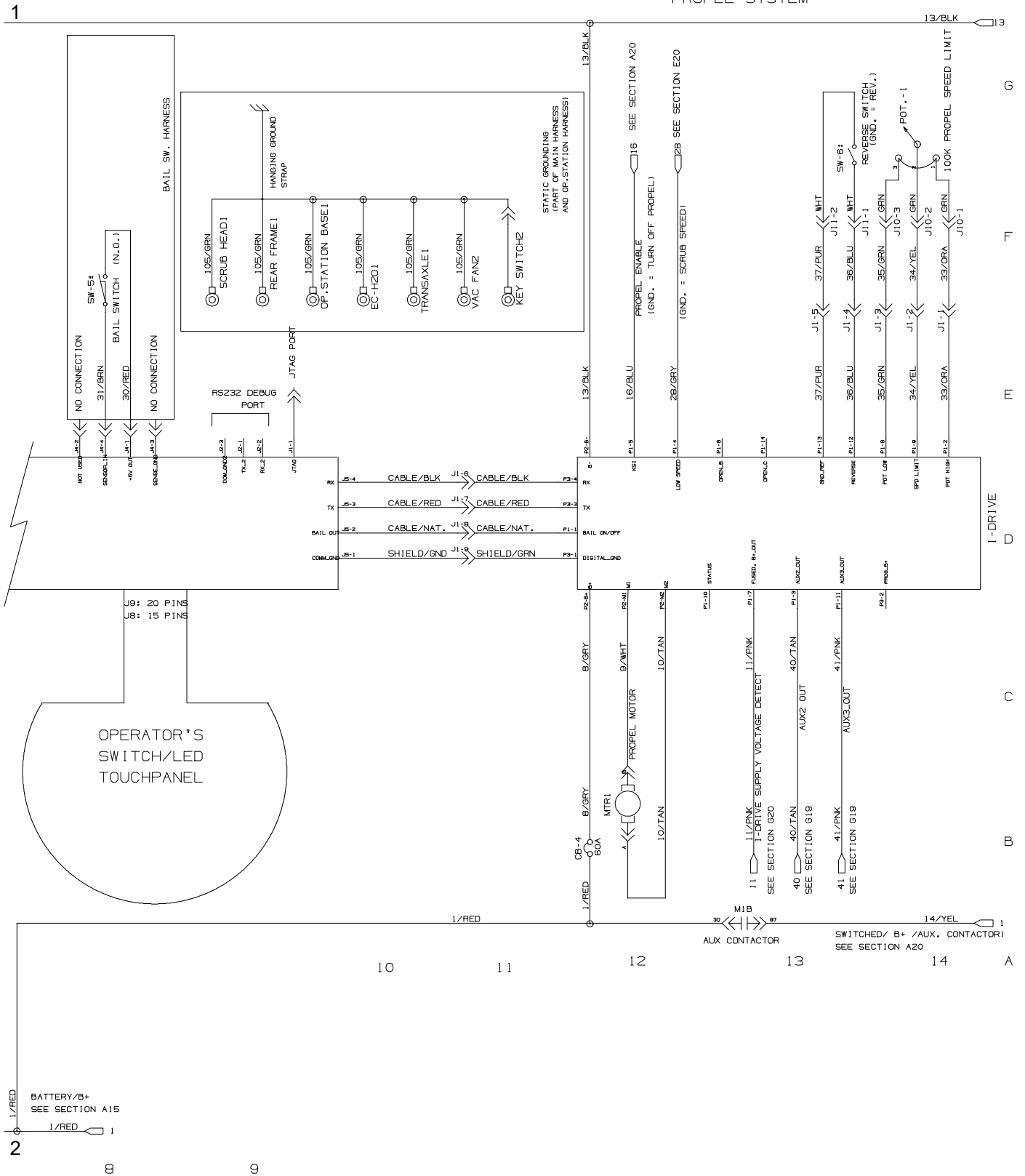
ELECTRICAL DIAGRAM (PAGE 2 OF 6)  
(S/N JUN2021 - )

T500 WITH STANDARD LEAD ACID BATTERIES

1075014\_02

PROPEL SYSTEM

BATTERY -  
SEE SECTION G15



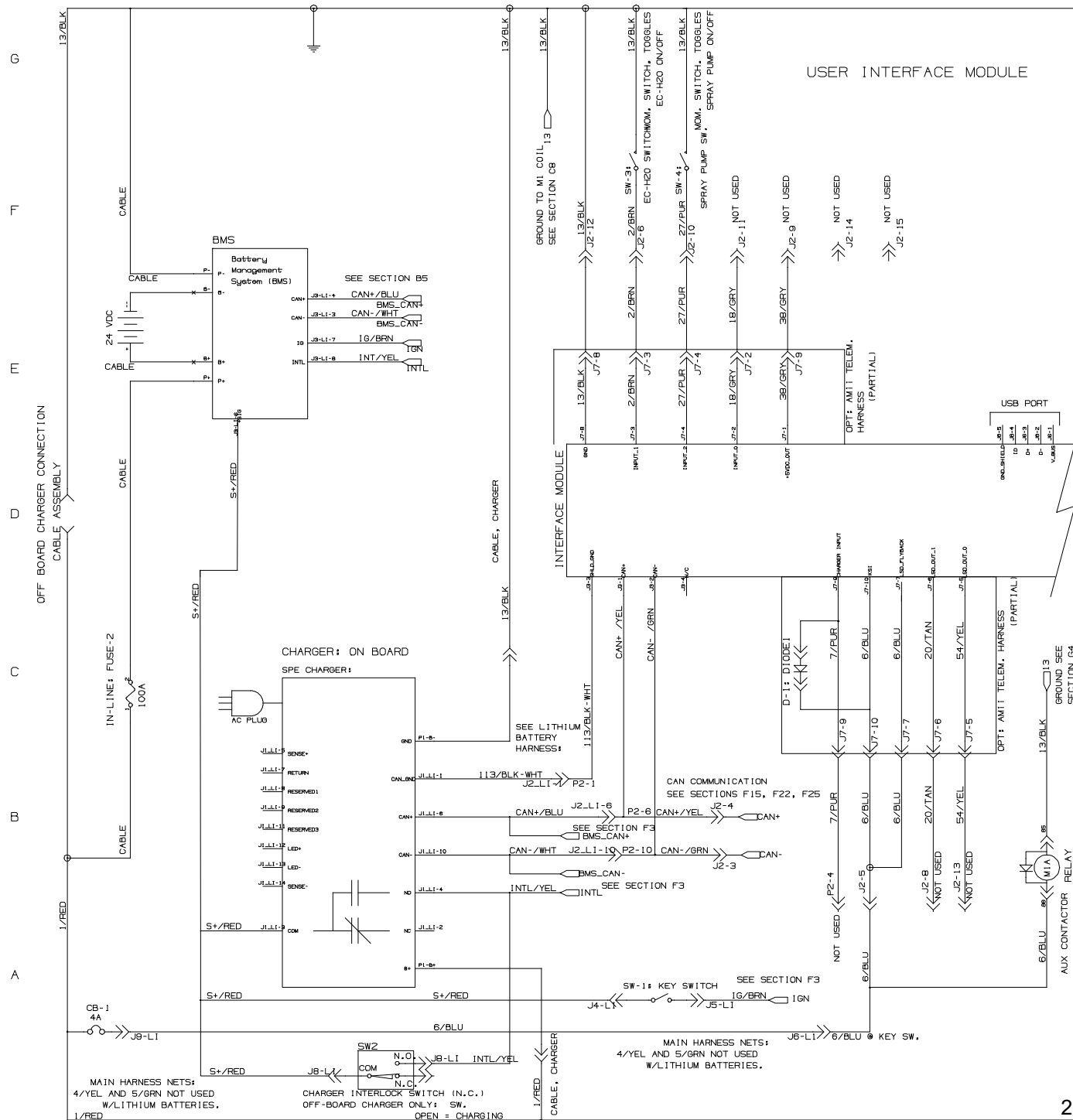
ELECTRICAL DIAGRAM (PAGE 3 OF 6)  
(S/N JUN2021 - )

1075014\_02

T500 WITH LITHIUM ION BATTERIES

1

LITHIUM BATTERY CHARGER SYSTEMS



2

LITHIUM BATTERY CHARGING SYSTEM

POWER ON/OFF CIRCUITRY

1 2 3 4 5 6 7

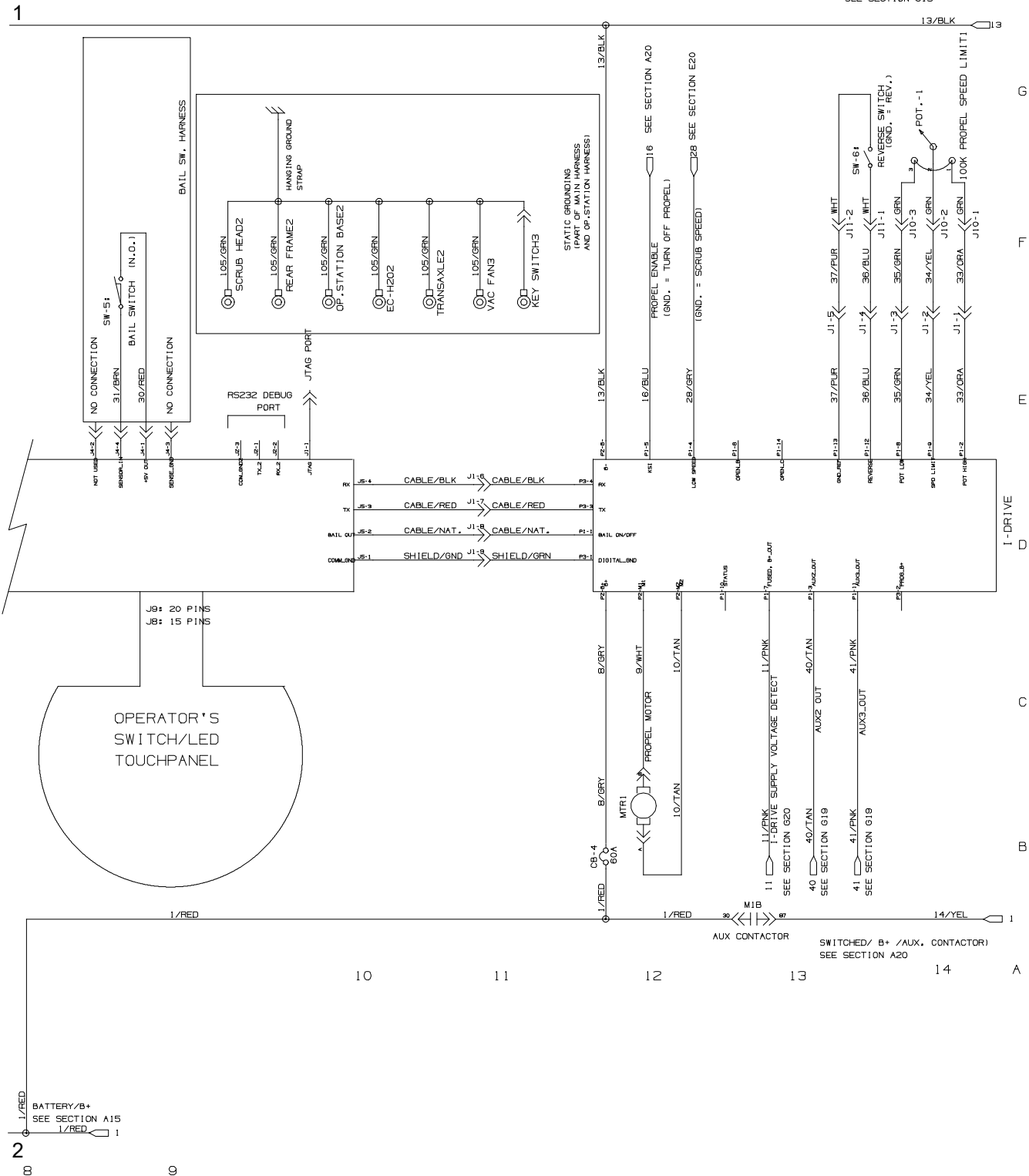
ELECTRICAL DIAGRAM (PAGE 4 OF 6)  
(S/N JUN2021 - )

1075014\_02

T500 WITH LITHIUM ION BATTERIES

PROPEL SYSTEM

BATTERY -  
SEE SECTION G15



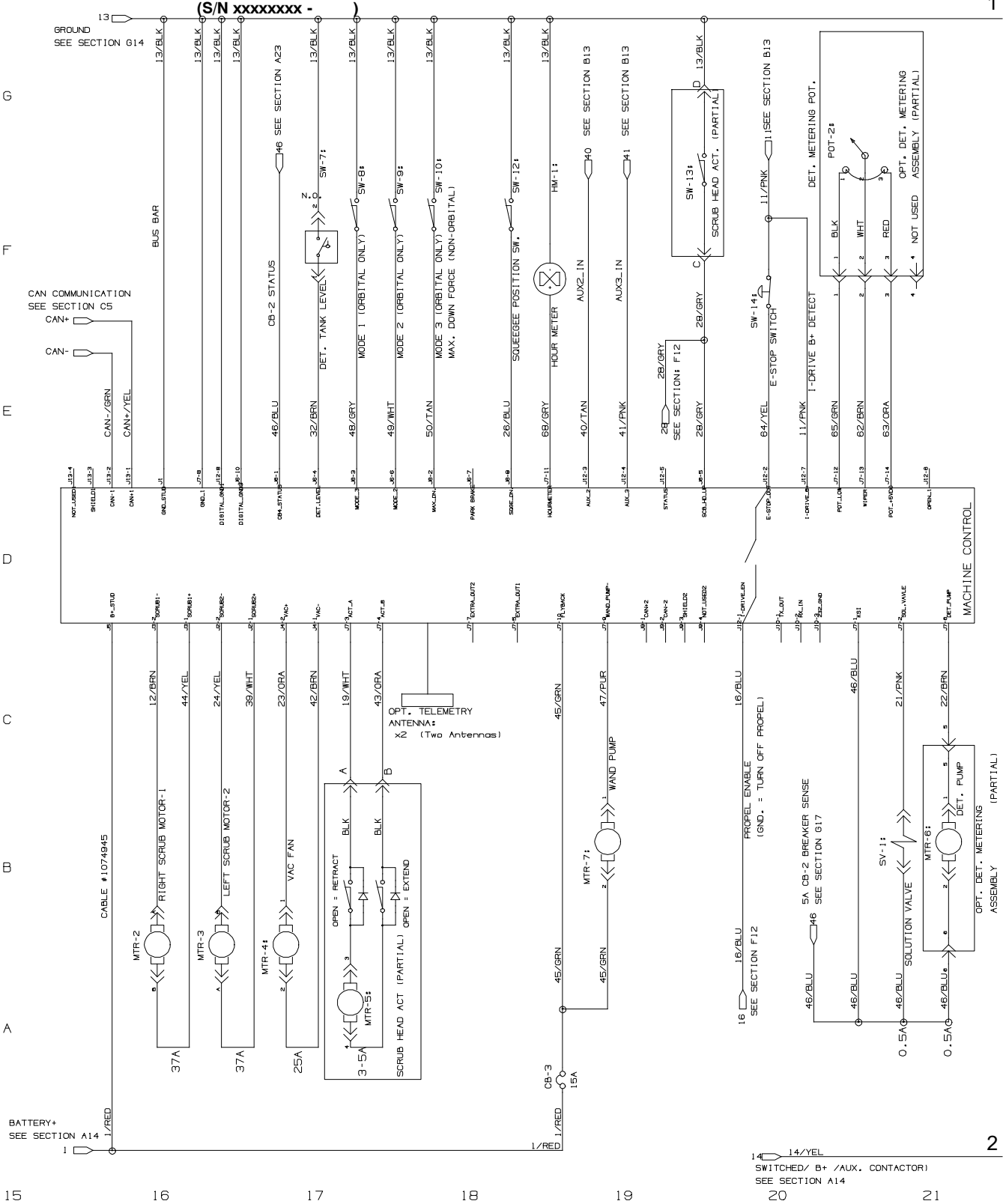
ELECTRICAL DIAGRAM (PAGE 5 OF 6)  
(S/N JUN2021 - )

1075014\_02

PREMIUM CONTROLLER

T500, COMMON PAGE

1



15 16 17 18 19 20 21

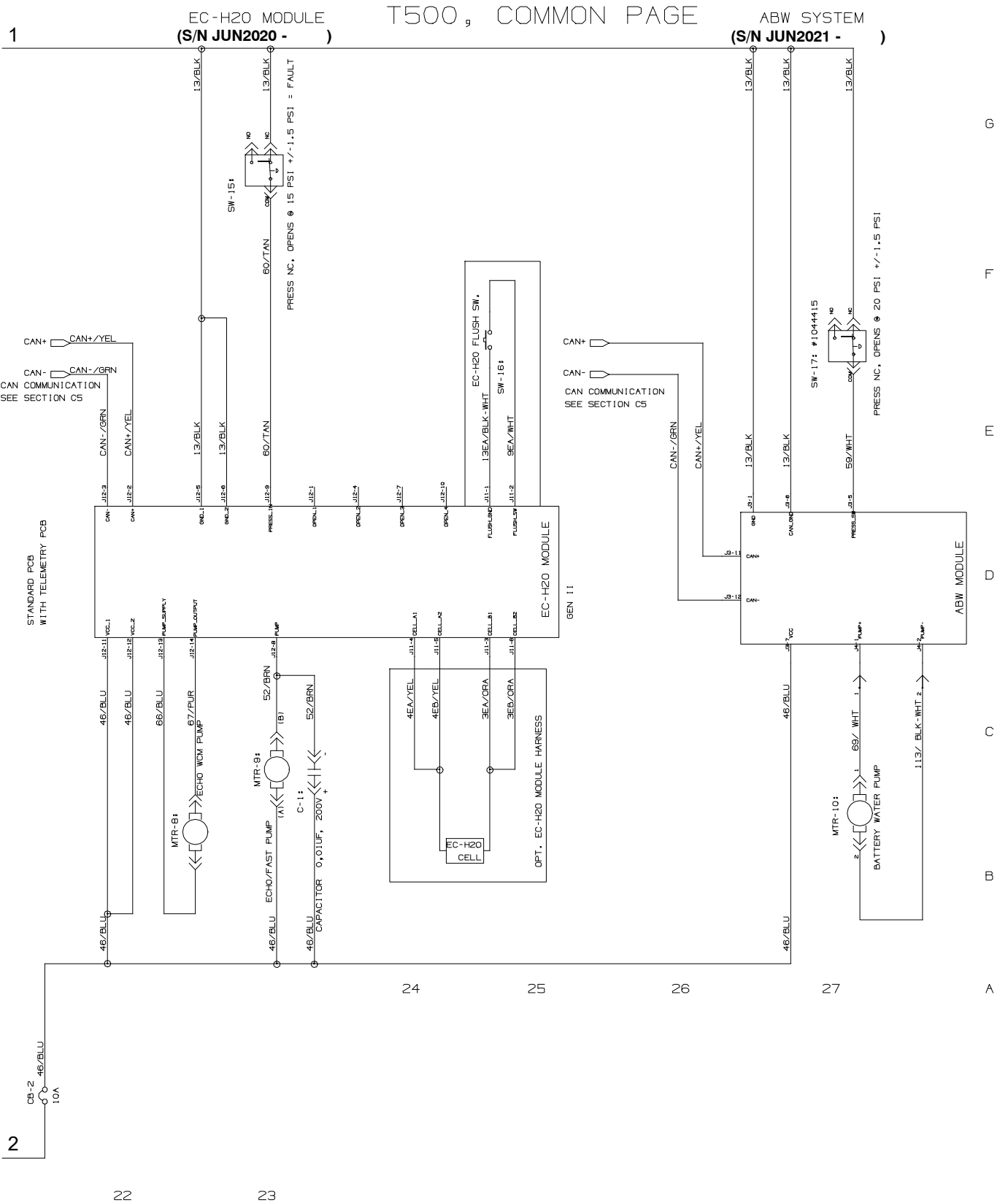
14 14/YEL  
SWITCHED/ B+ /AUX. CONTACTOR)  
SEE SECTION A14

2



ELECTRICAL DIAGRAM (PAGE 6 OF 6)  
(S/N JUN2021 - )

1075014\_02

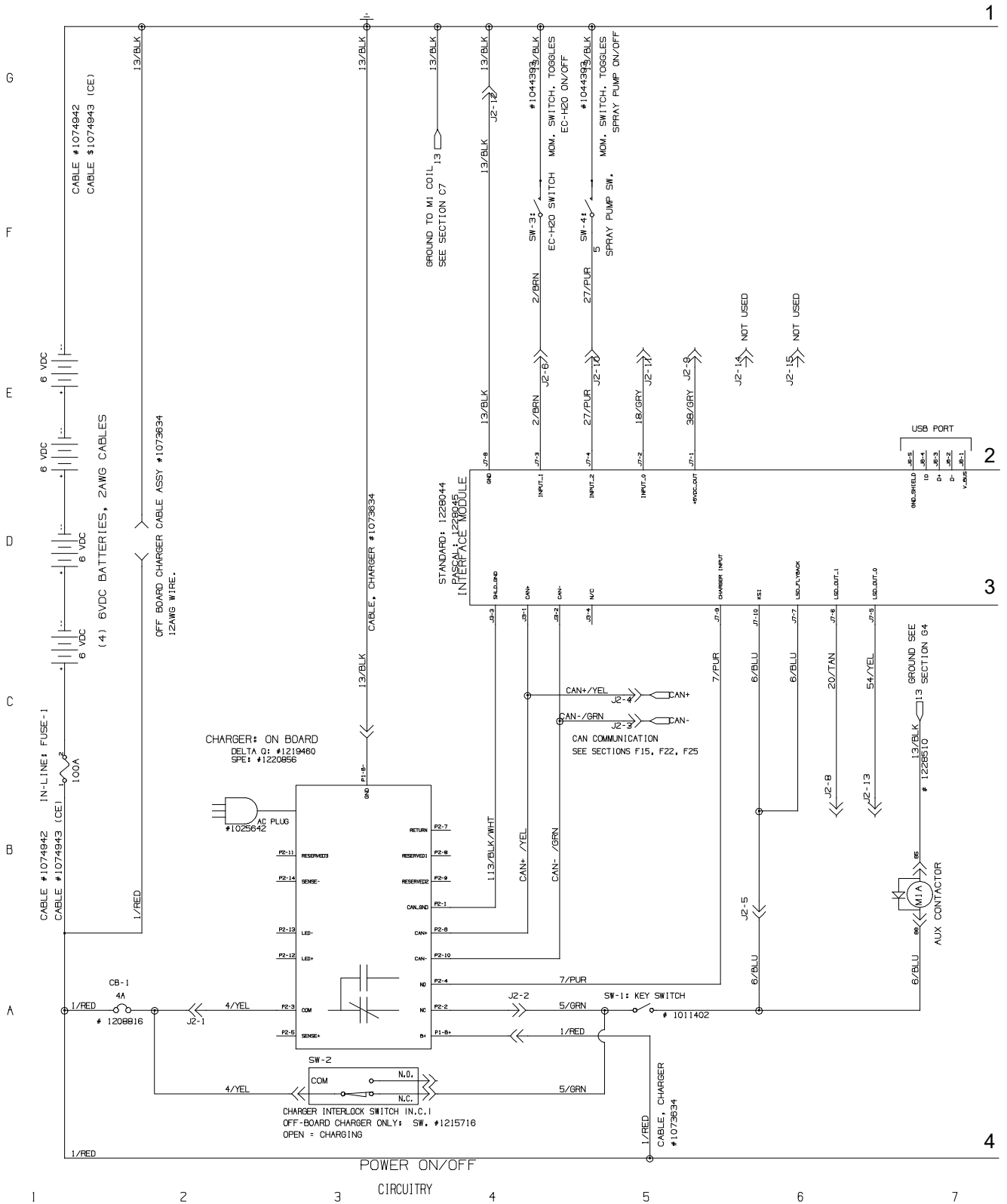


ELECTRICAL DIAGRAM (PAGE 1 OF 4)  
(S/N 3000000 - MAY2021)

1075014\_00

BATTERY /  
CHARGER  
SYSTEMS

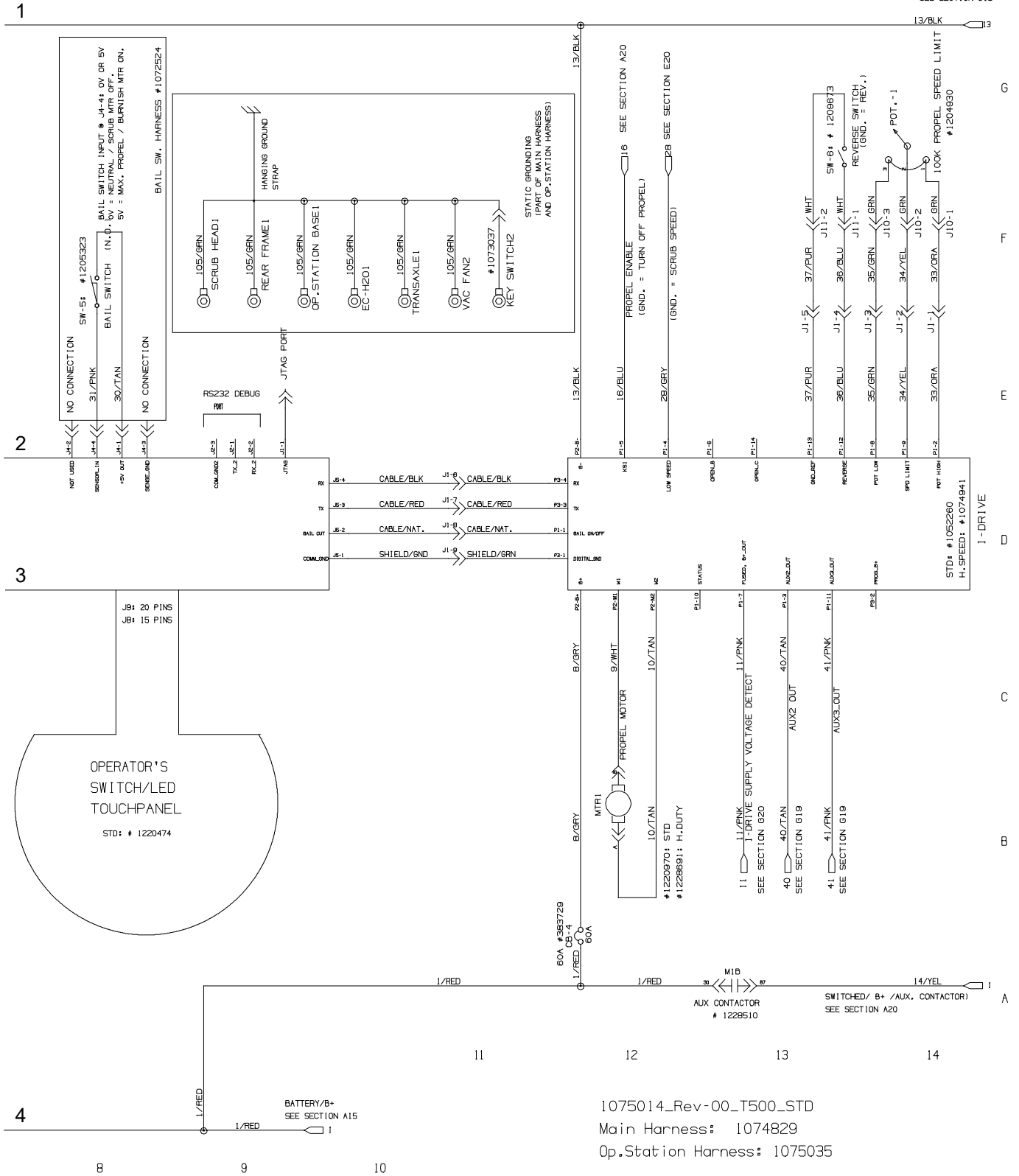
USER INTERFACE  
MODULE



ELECTRICAL DIAGRAM (PAGE 2 OF 4)  
(S/N 3000000 - MAY2021)

1075014\_00

PROPEL SYSTEM

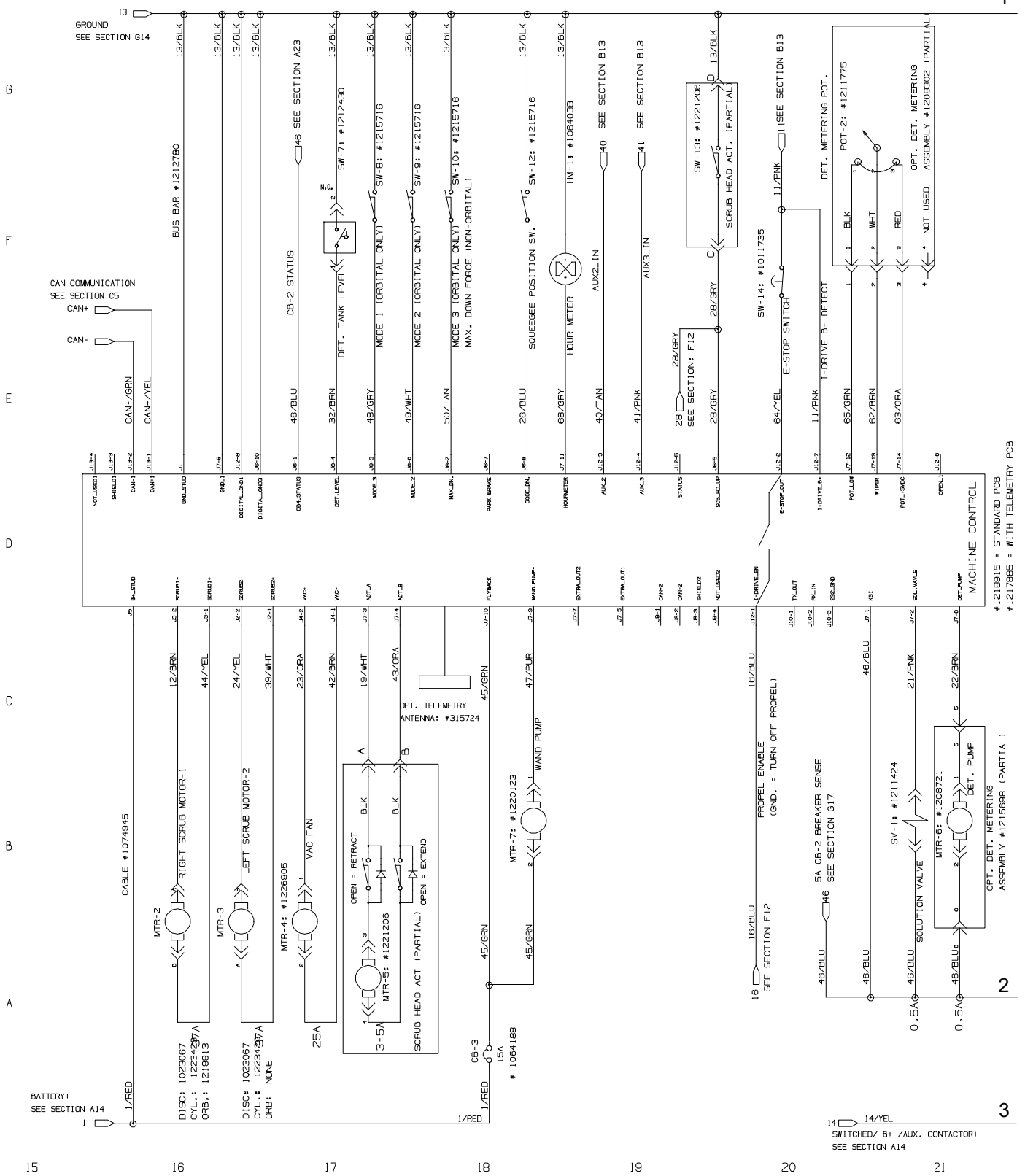


1075014\_Rev-00\_T500\_STD  
Main Harness: 1074829  
Op.Station Harness: 1075035

ELECTRICAL DIAGRAM (PAGE 3 OF 4)  
(S/N 3000000 - MAY2021)

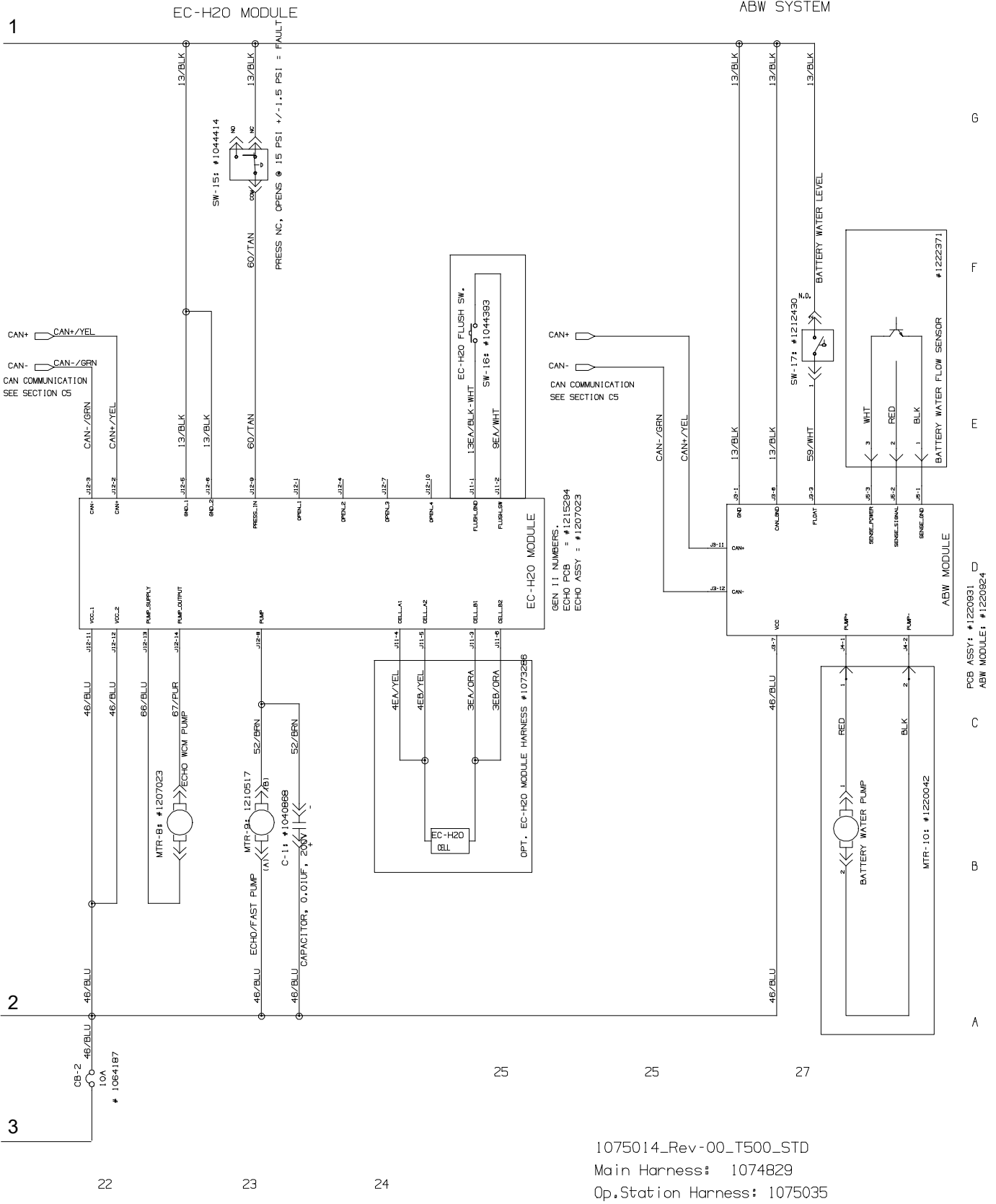
1075014\_00

PREMIUM CONTROLLER



ELECTRICAL DIAGRAM (PAGE 4 OF 4)  
(S/N 3000000 - MAY2021)

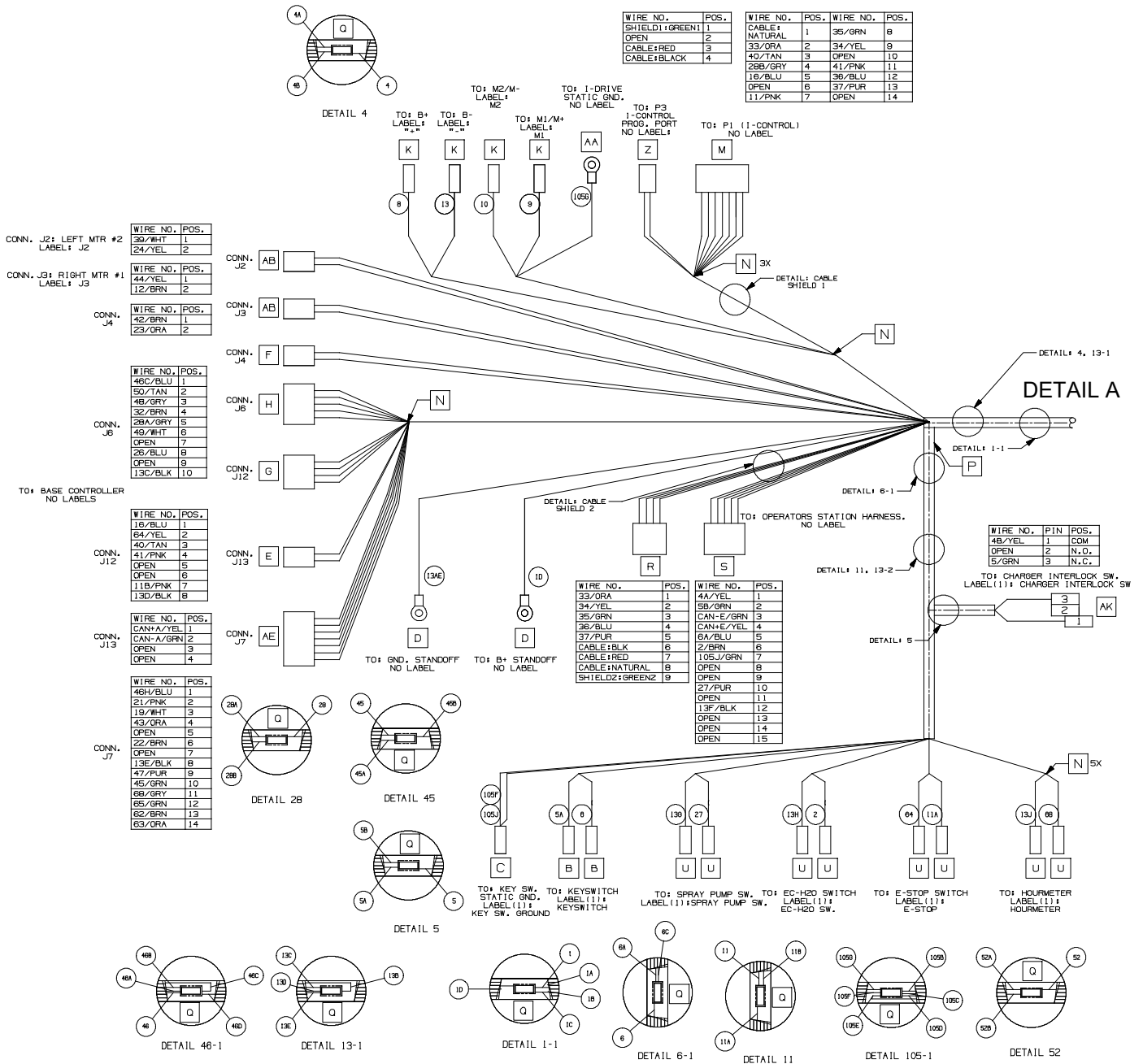
1075014\_00



1075014\_Rev-00\_T500\_STD  
Main Harness: 1074829  
Op.Station Harness: 1075035

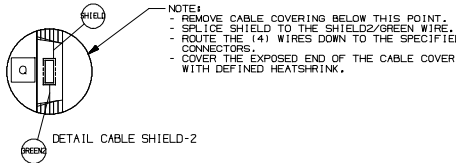
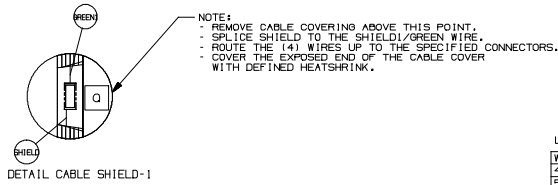
ELECTRICAL HARNESS, MAIN (PAGE 1 OF 4)  
(S/N JUN2021 - )

1076837\_00



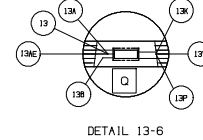
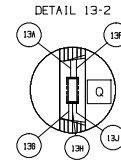
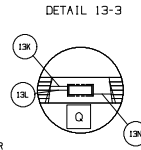
ELECTRICAL HARNESS, MAIN (PAGE 2 OF 4)  
(S/N JUN2021 - )

1076837\_00



TO: EC-H2O CAPACITOR  
LABEL: EC-H2O CAPACITOR

WIRE NO.	POSITION
46A/BLU	FEM+POSITIVE
52B/BRN	MALE+NEGATIVE

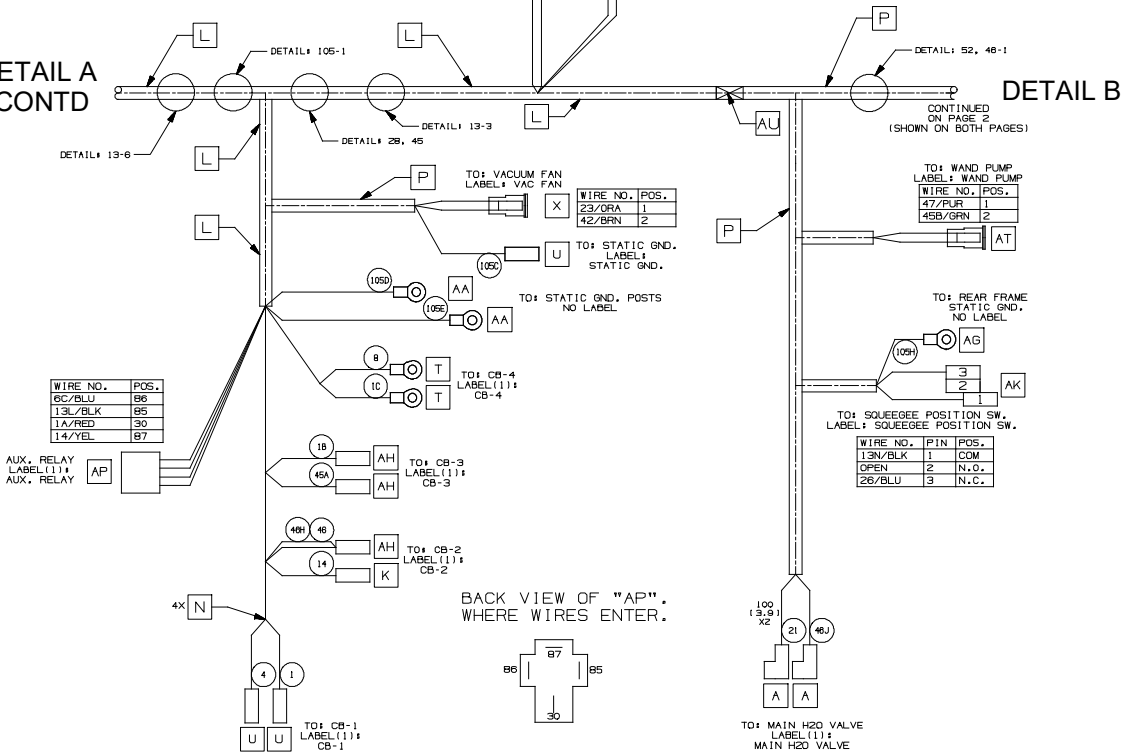


TO: EC-H2O PUMP  
LABEL: EC-H2O PUMP

WIRE NO.	POS.
46B/BLU	1
52A/BRN	2

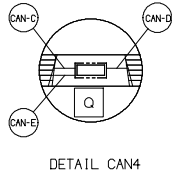
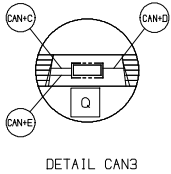
DETAIL A  
- CONTD

DETAIL B



**ELECTRICAL HARNESS, MAIN (PAGE 3 OF 4)**  
**(S/N JUN2021 - )**

1076837\_00

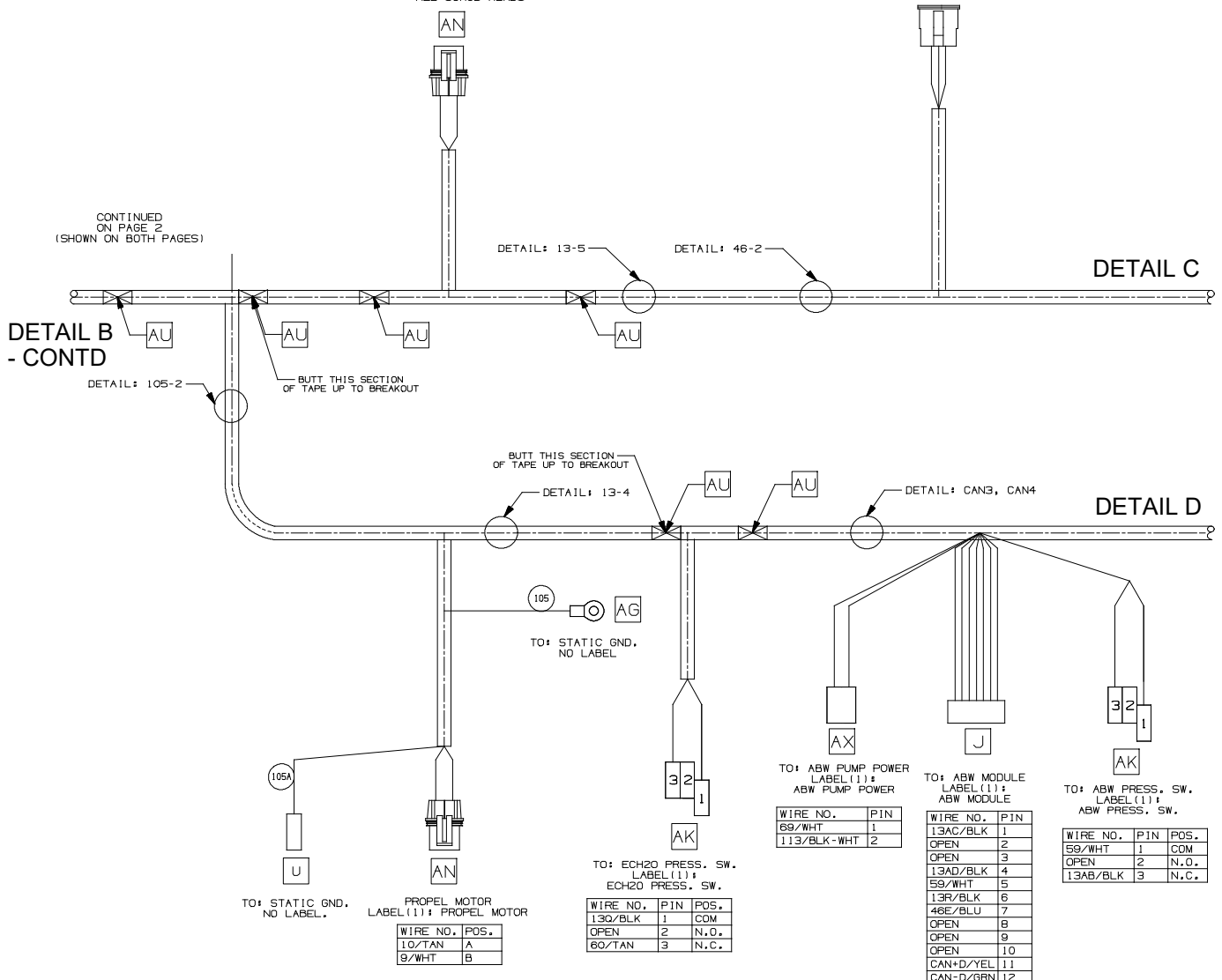


WIRE NO.	POS.
39/WHT	A
24/YEL	B

TO: LEFT SCRUB MOTOR#2  
 LABEL: LEFT SCRUB MOTOR #2  
 ALL SCRUB HEADS

WIRE NO.	POS.
65/GRN	1
62/BRN	2
63/ORA	3
OPEN	4
22/BRN	5
46K/BLU	6

TO: DET. METERING  
 LABEL: DET. METERING



WIRE NO.	PIN	POS.
13Q/BLK	1	COM
OPEN	2	N.O.
6C/TAN	3	N.C.

WIRE NO.	PIN
69/WHT	1
113/BLK-WHT	2

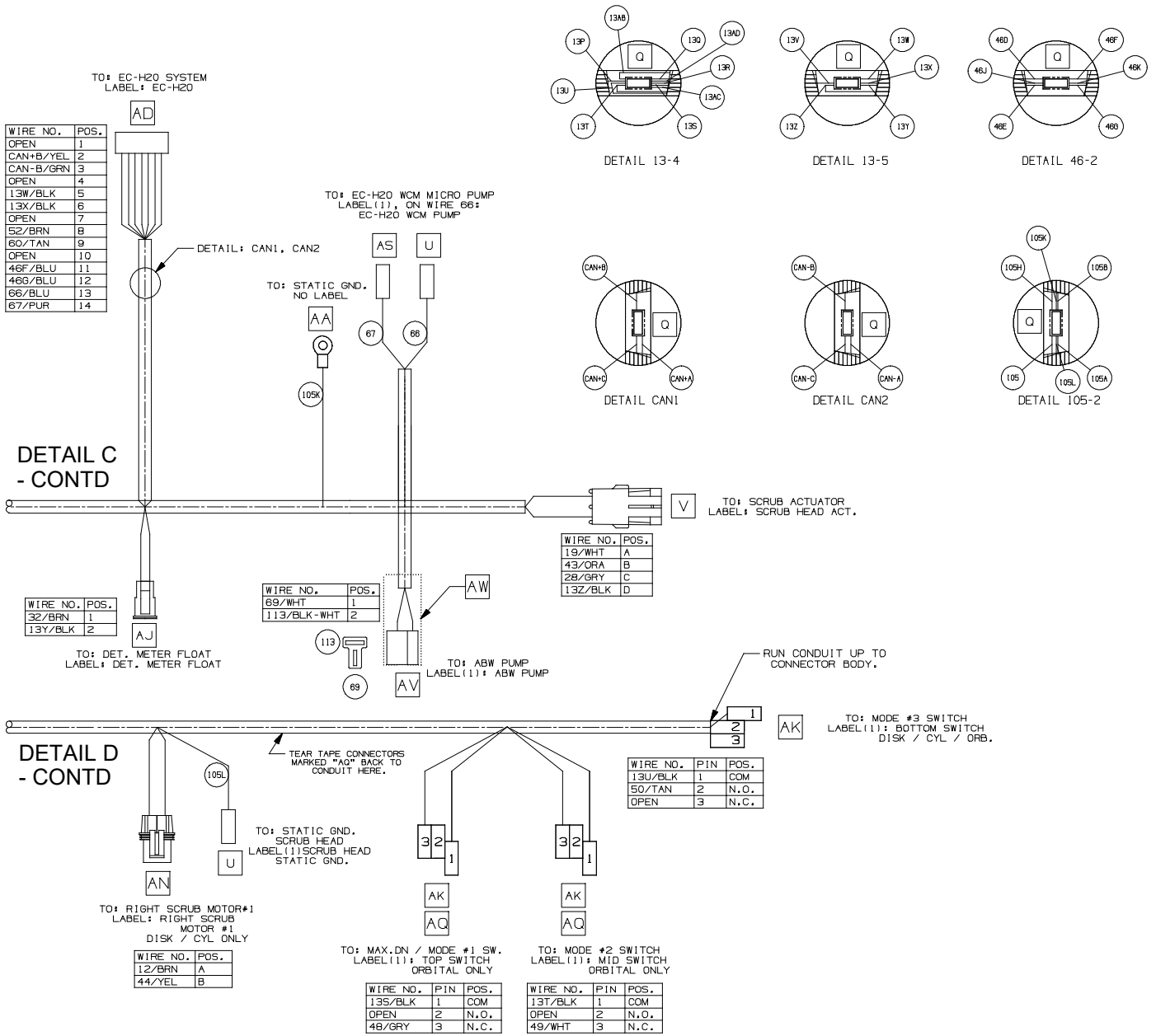
WIRE NO.	PIN
13AC/BLK	1
OPEN	2
OPEN	3
13AD/BLK	4
59/WHT	5
13R/BLK	6
46E/BLU	7
OPEN	8
OPEN	9
OPEN	10
CAN-D/YEL	11
CAN-D/GRN	12

WIRE NO.	PIN	POS.
59/WHT	1	COM
OPEN	2	N.O.
13AB/BLK	3	N.C.



ELECTRICAL HARNESS, MAIN (PAGE 4 OF 4)  
(S/N JUN2021 - )

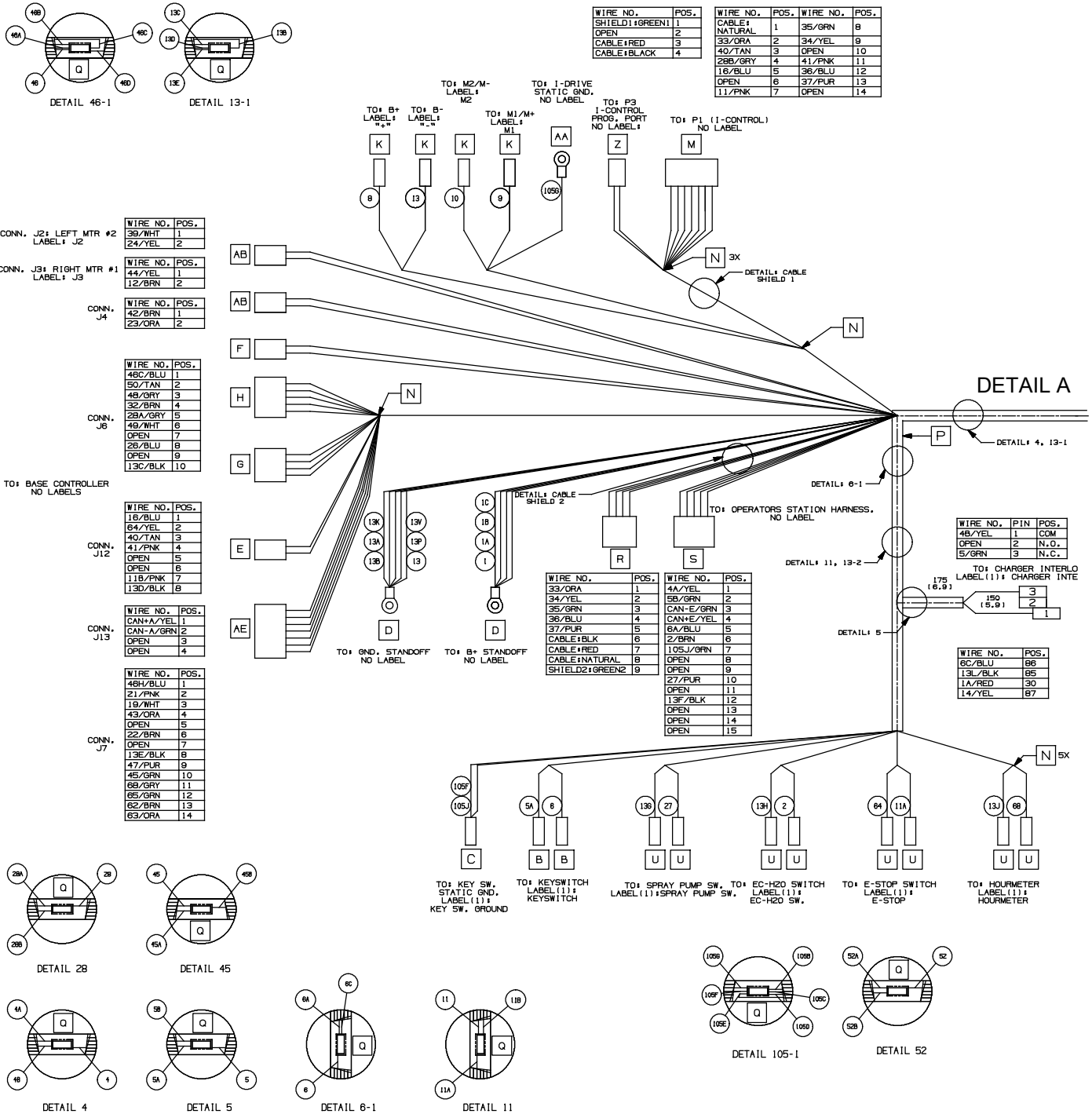
1076837\_00



Part No.	Serial Number	Description	Qty.
1076837	(JUN2021- 40000000 )	Harness, Main, Ele [T500]	1

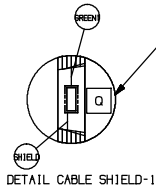
ELECTRICAL HARNESS, MAIN (PAGE 1 OF 4)  
(S/N 3000000 - MAY2021)

1074829\_01



ELECTRICAL HARNESS, MAIN (PAGE 2 OF 4)  
(S/N 3000000 - MAY2021)

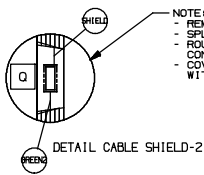
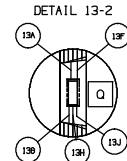
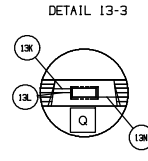
1074829\_01



NOTE:  
- REMOVE CABLE COVERING ABOVE THIS POINT.  
- SPLICE SHIELD TO THE SHIELD1/GREEN WIRE.  
- ROUTE THE (4) WIRES UP TO THE SPECIFIED CONNECTORS.  
- COVER THE EXPOSED END OF THE CABLE COVER WITH DEFINED HEATSHRINK.

TO: EC-H2O CAPACITOR  
LABEL: EC-H2O CAPACITOR

WIRE NO.	POSITION
46A/BLU	FEM+POSITIVE
52B/BRN	MALE-NEGATIVE



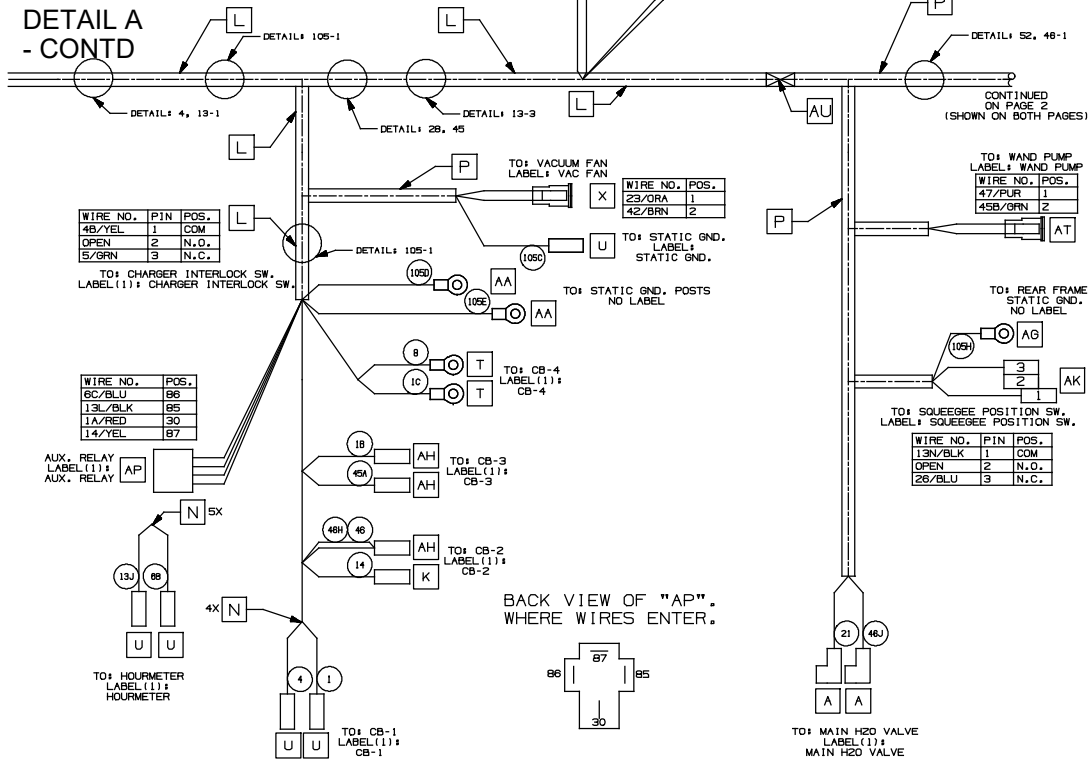
NOTE:  
- REMOVE CABLE COVERING BELOW THIS POINT.  
- SPLICE SHIELD TO THE SHIELD2/GREEN WIRE.  
- ROUTE THE (4) WIRES DOWN TO THE SPECIFIED CONNECTORS.  
- COVER THE EXPOSED END OF THE CABLE COVER WITH DEFINED HEATSHRINK.

TO: EC-H2O PUMP  
LABEL: EC-H2O PUMP

WIRE NO.	POS.
46B/BLU	1
52A/BRN	2

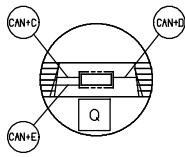
DETAIL A  
- CONTD

DETAIL B

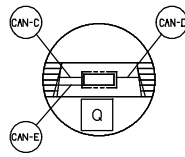


## ELECTRICAL HARNESS, MAIN (PAGE 3 OF 4) (S/N 3000000 - MAY2021)

1074829\_01



DETAIL CAN3



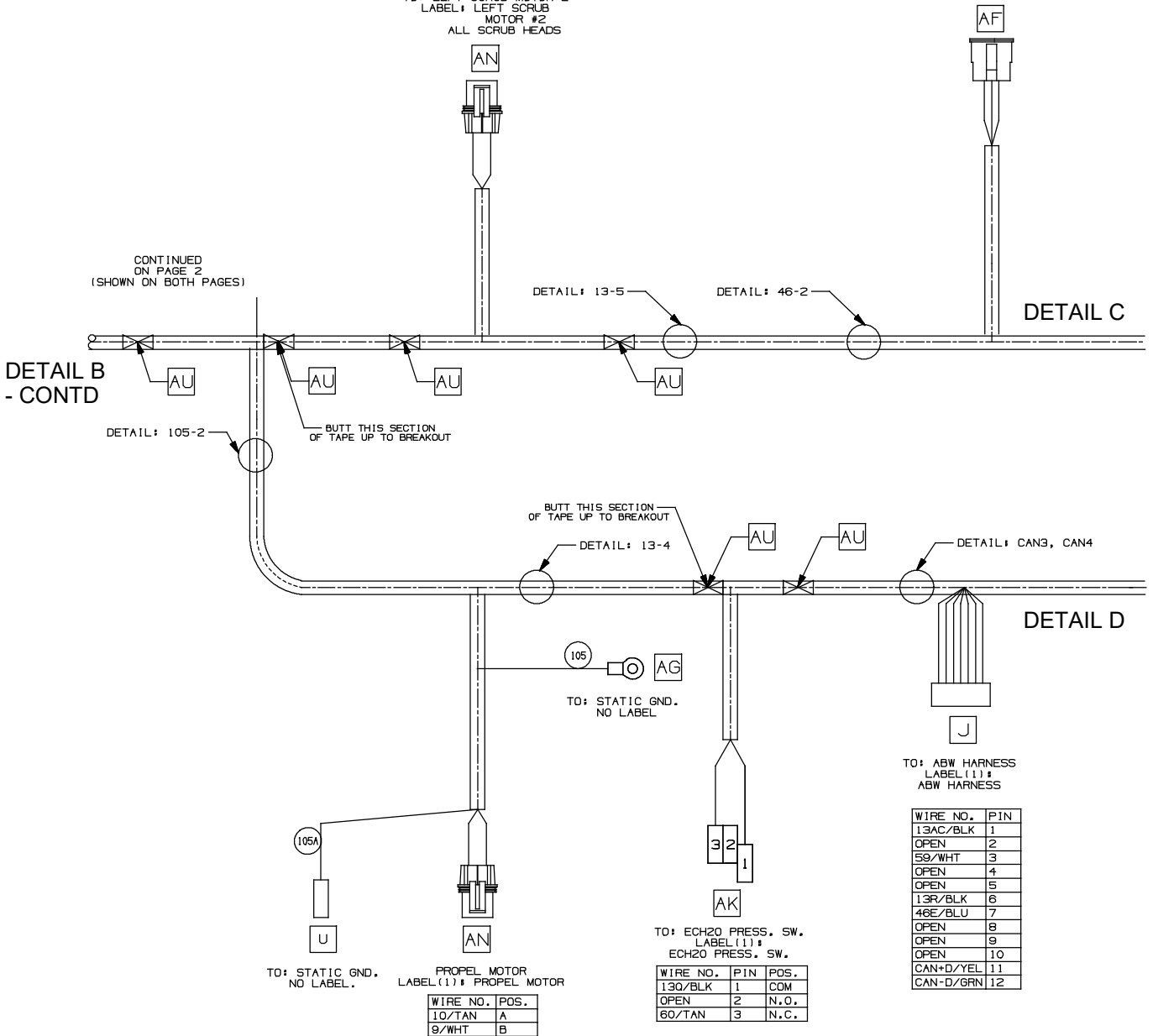
DETAIL CAN4

WIRE NO.	POS.
39/WHT	A
24/YEL	B

TO: LEFT SCRUB MOTOR#2  
LABEL: LEFT SCRUB  
MOTOR #2  
ALL SCRUB HEADS

WIRE NO.	POS.
65/GRN	1
62/BRN	2
63/ORA	3
OPEN	4
22/BRN	5
46K/BLU	6

TO: DET. METERING  
LABEL: DET. METERING



WIRE NO.	POS.
10/TAN	A
9/WHT	B

TO: STATIC GND.  
NO LABEL.

PROPEL MOTOR  
LABEL(1): PROPEL MOTOR

TO: ECH20 PRESS. SW.  
LABEL(1): ECH20 PRESS. SW.

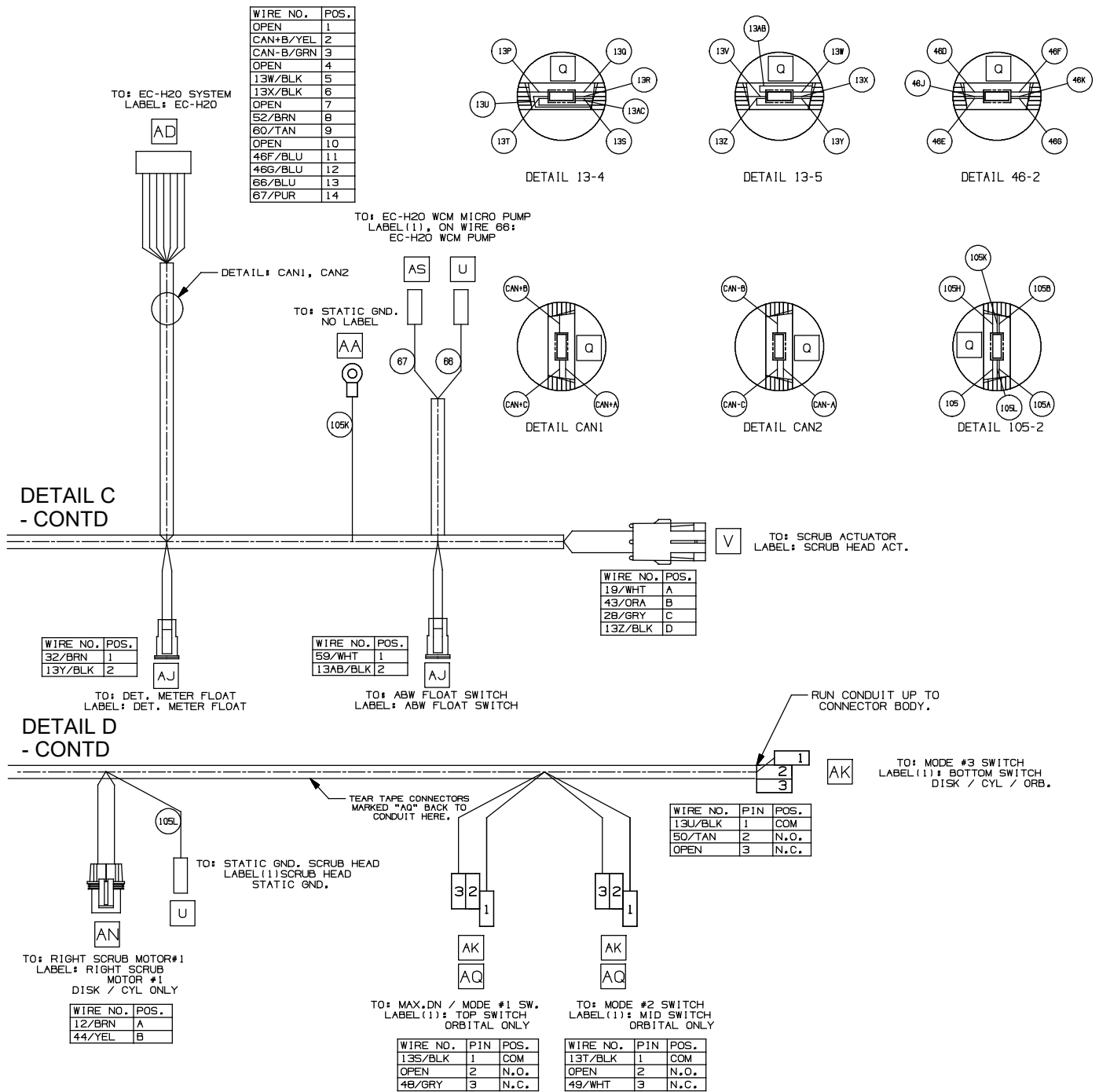
WIRE NO.	PIN	POS.
130/BLK	1	COM
OPEN	2	N.O.
60/TAN	3	N.C.

TO: ABW HARNESS  
LABEL(1): ABW HARNESS

WIRE NO.	PIN
13AC/BLK	1
OPEN	2
59/WHT	3
OPEN	4
OPEN	5
13R/BLK	6
46E/BLU	7
OPEN	8
OPEN	9
OPEN	10
CAN+D/YEL	11
CAN-D/GRN	12

ELECTRICAL HARNESS, MAIN (PAGE 4 OF 4)  
(S/N 3000000 - MAY2021)

1074829\_01



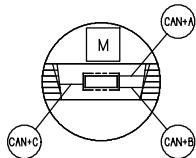
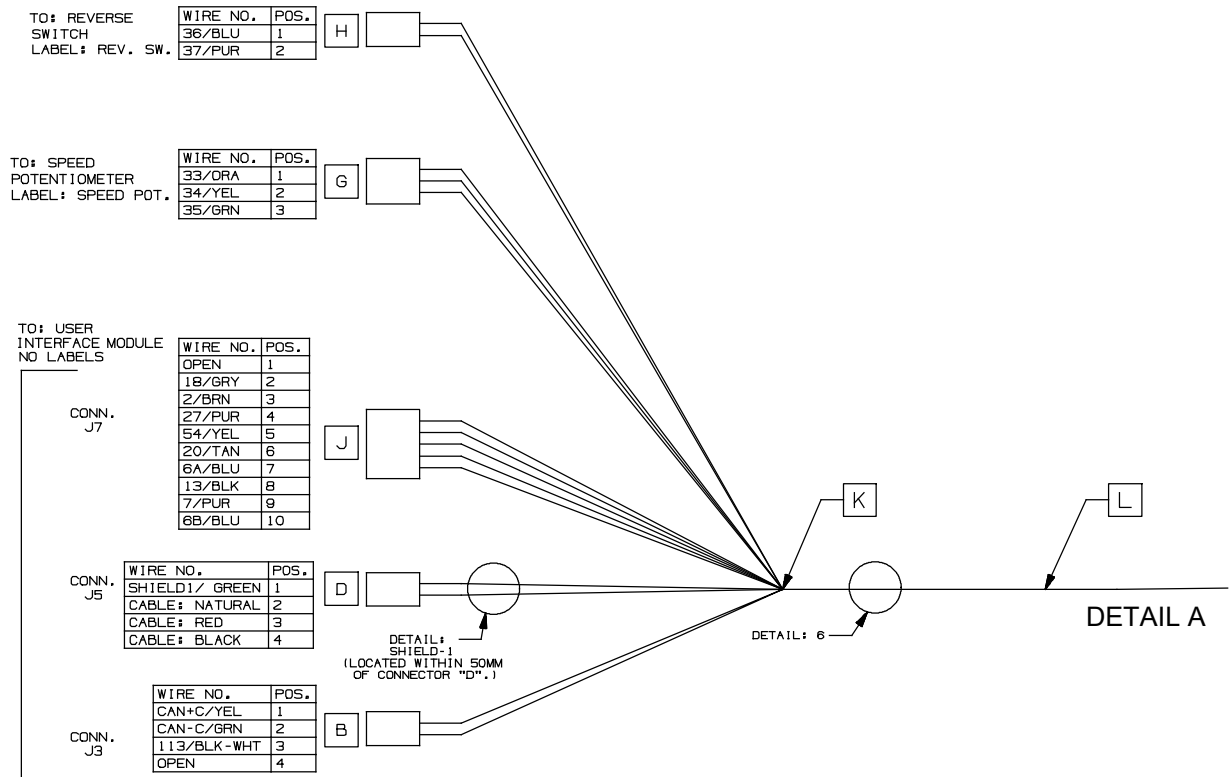
	Part No.	Serial Number	Description	Qty.
▽	1074829	(3000000- MAY2021 )	Harness, Main, Ele [T500]	1
▲	222290	(3000000- 4000000 )	Diode, Ele, Plug	3

▽ ASSEMBLY

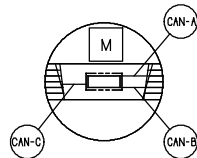
▲ INCLUDED IN ASSEMBLY

## ELECTRICAL HARNESS, OPERATOR STATION

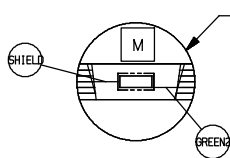
1075035\_A



DETAIL CAN 1



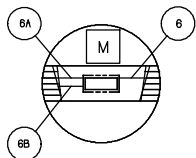
DETAIL CAN 2



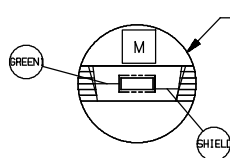
DETAIL CABLE SHIELD-2

NOTE:

- REMOVE CABLE COVERING RIGHT OF THIS POINT.
- SPLICE SHIELD TO THE SHIELD2+GREEN WIRE.
- ROUTE THE (4) WIRES RIGHT TO THE SPECIFIED CONNECTORS.
- COVER THE EXPOSED END OF THE CABLE COVER WITH DEFINED HEATSHRINK.



DETAIL 6



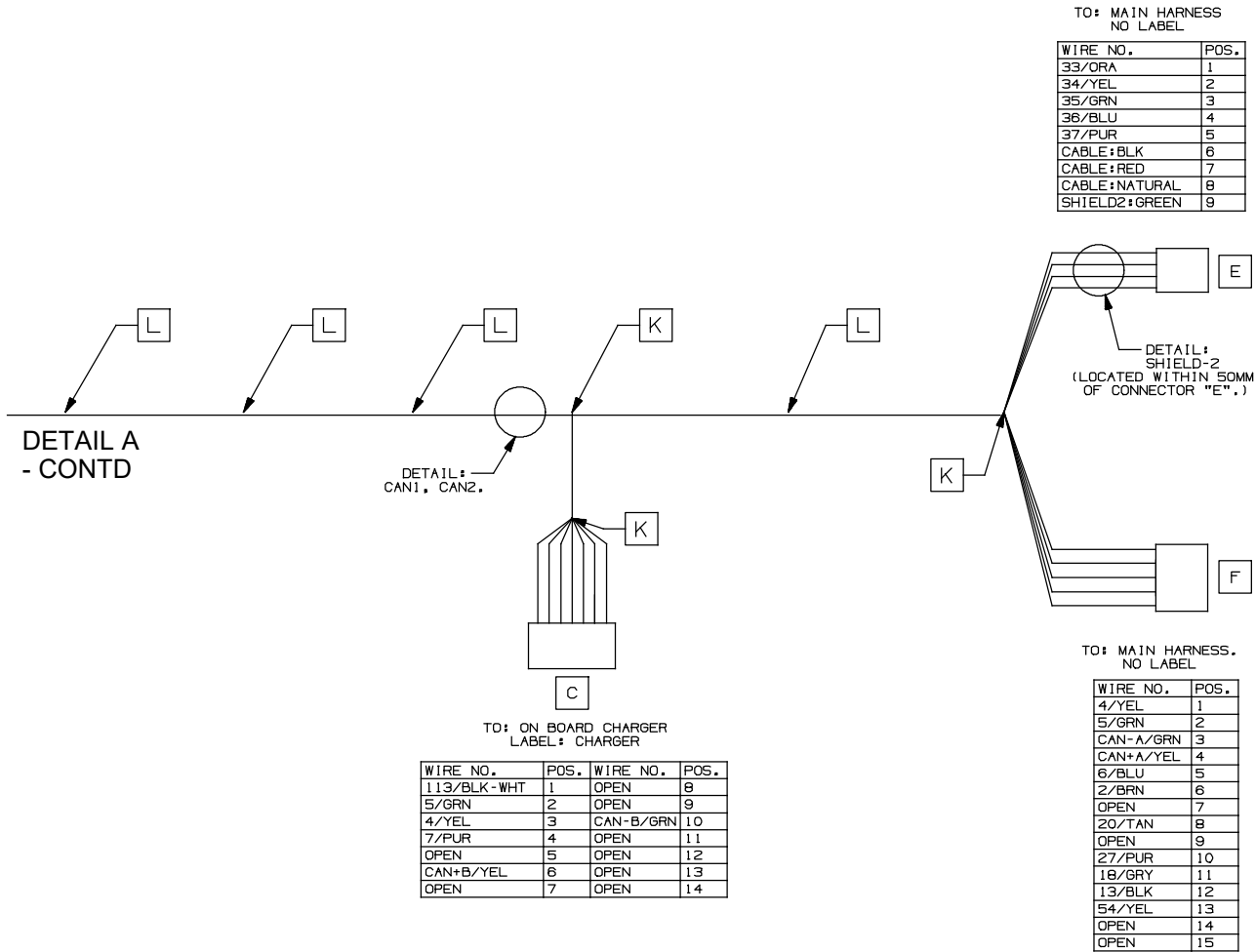
DETAIL CABLE SHIELD-1

NOTE:

- REMOVE CABLE COVERING LEFT OF THIS POINT.
- SPLICE SHIELD TO THE SHIELD1+GREEN WIRE.
- ROUTE THE (4) WIRES LEFT TO THE SPECIFIED CONNECTORS.
- COVER THE EXPOSED END OF THE CABLE COVER WITH DEFINED HEATSHRINK.

ELECTRICAL HARNESS, OPERATOR STATION

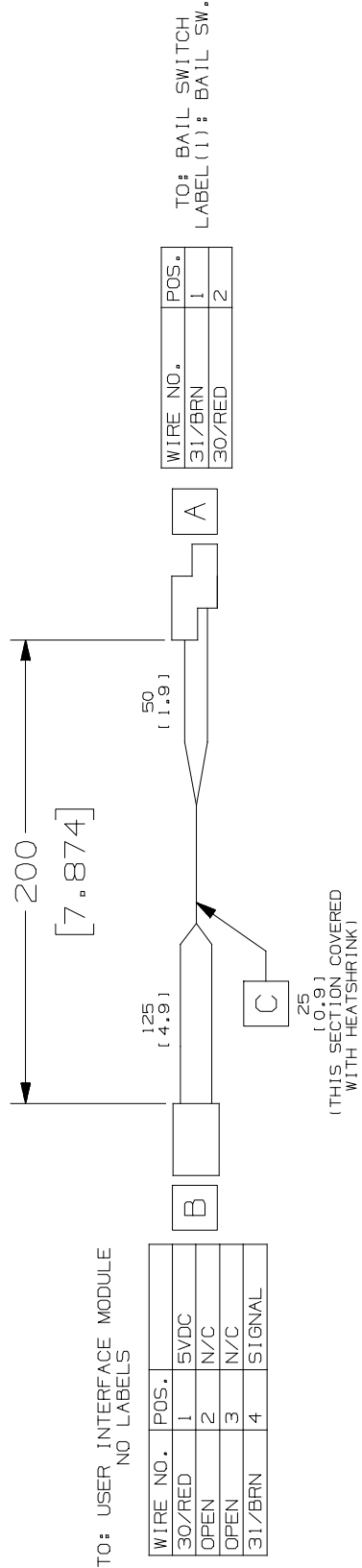
1075035\_A



Part No.	Serial Number	Description	Qty.
1075035	(30000000- 40000000 )	Harness, Ele [Op. Station, T500]	1

ELECTRICAL HARNESS, BAIL SWITCH

1072524\_00

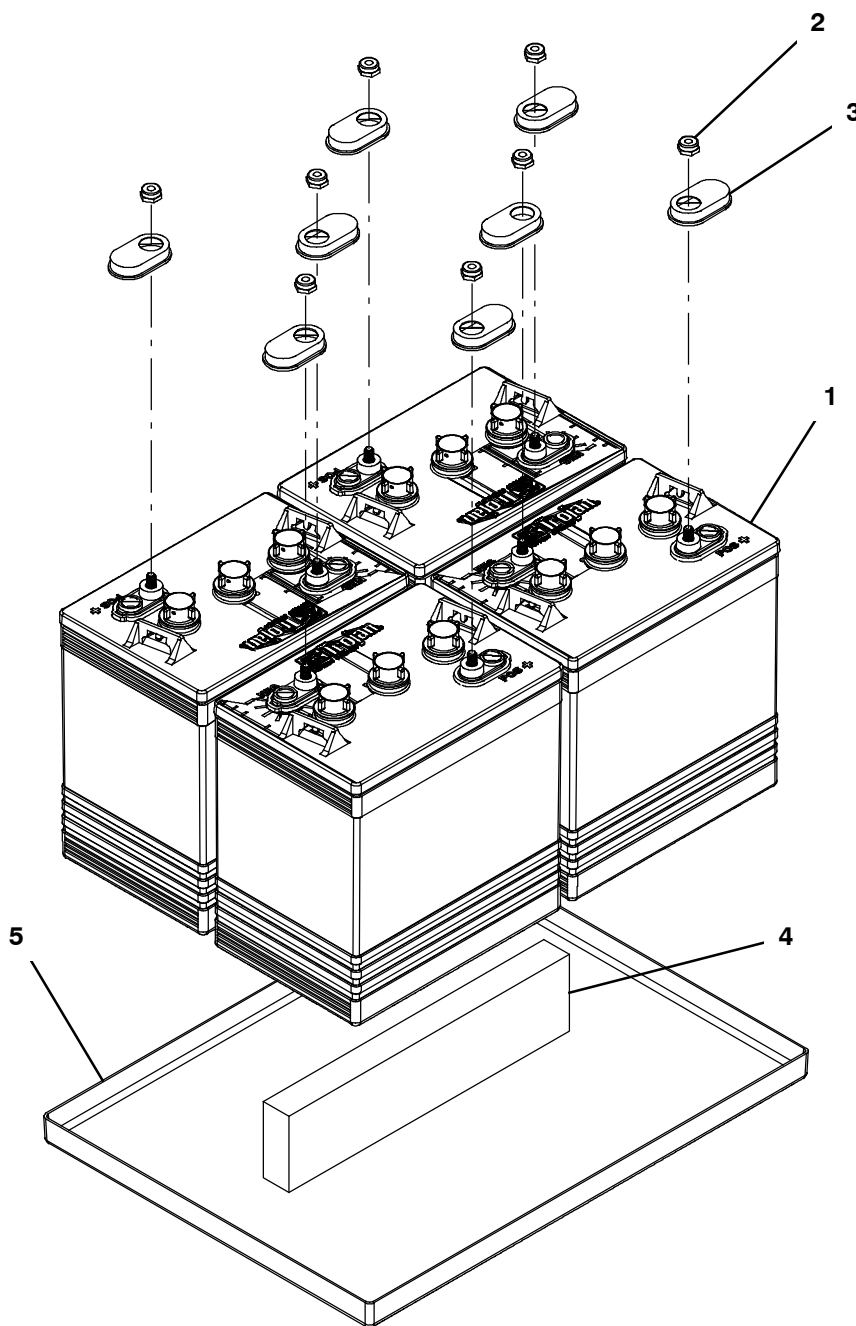


Part No.	Serial Number	Description	Qty.
1072524	(30000000- 40000000 )	Harness, Ele [Bail Switch]	1



BATTERY GROUP, WET 240AH

355448



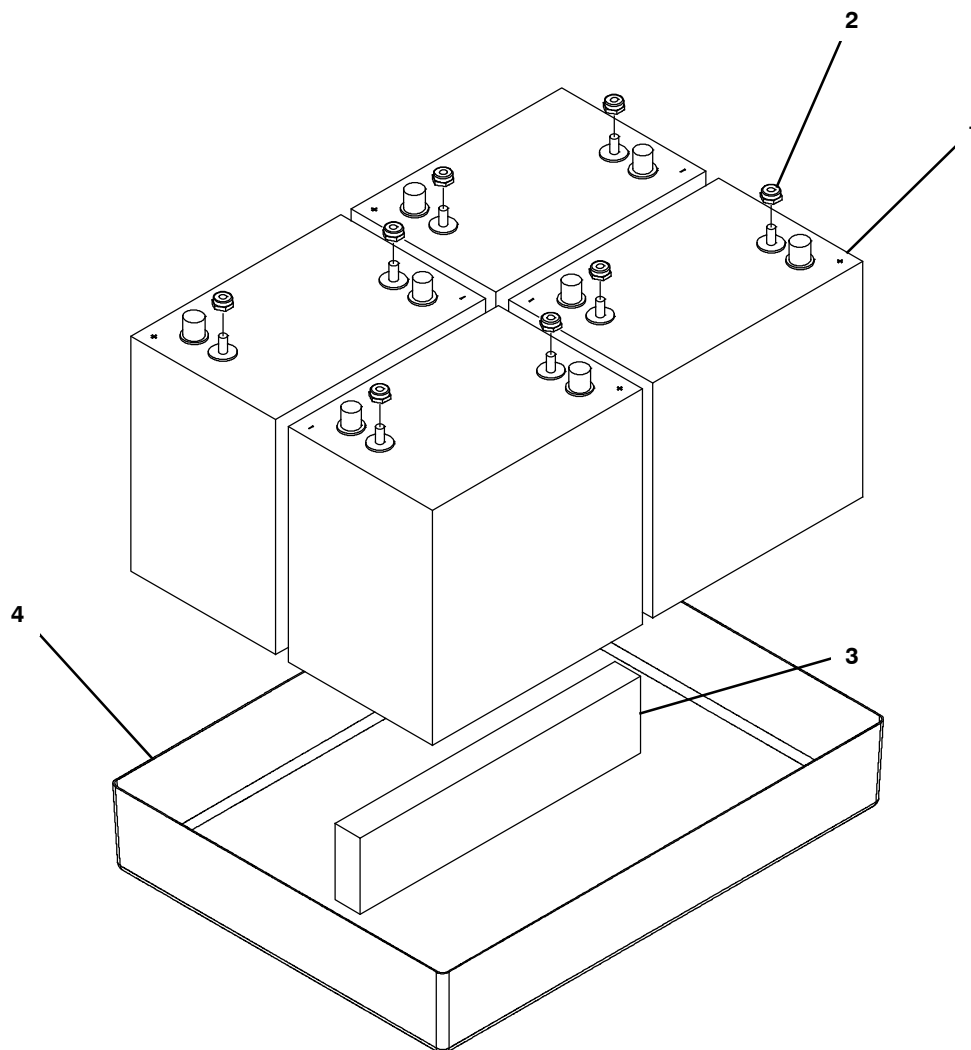
Ref.	Part No.	Serial Number	Description	Qty.
▽	1	222280	(30000000- 40000000 ) Battery, Wet, 06vdc 0240ah	4
▲	2	87435	(30000000- 40000000 ) Nut, Hex, Flexlock, .31- 18	2
▲	3	1041030	(30000000- 40000000 ) Cap, Battery, Black [For 155ah]	2
	4	630375	(30000000- 40000000 ) Spacer, Battery, Foam, 1.25 X 3.3 X 13.7	1
	5	1222318	(30000000- 40000000 ) Tray, Battery, Trimmed [T500, Thick]	1

▽ ASSEMBLY

▲ INCLUDED IN ASSEMBLY

BATTERY GROUP, AGM 220AH

355450



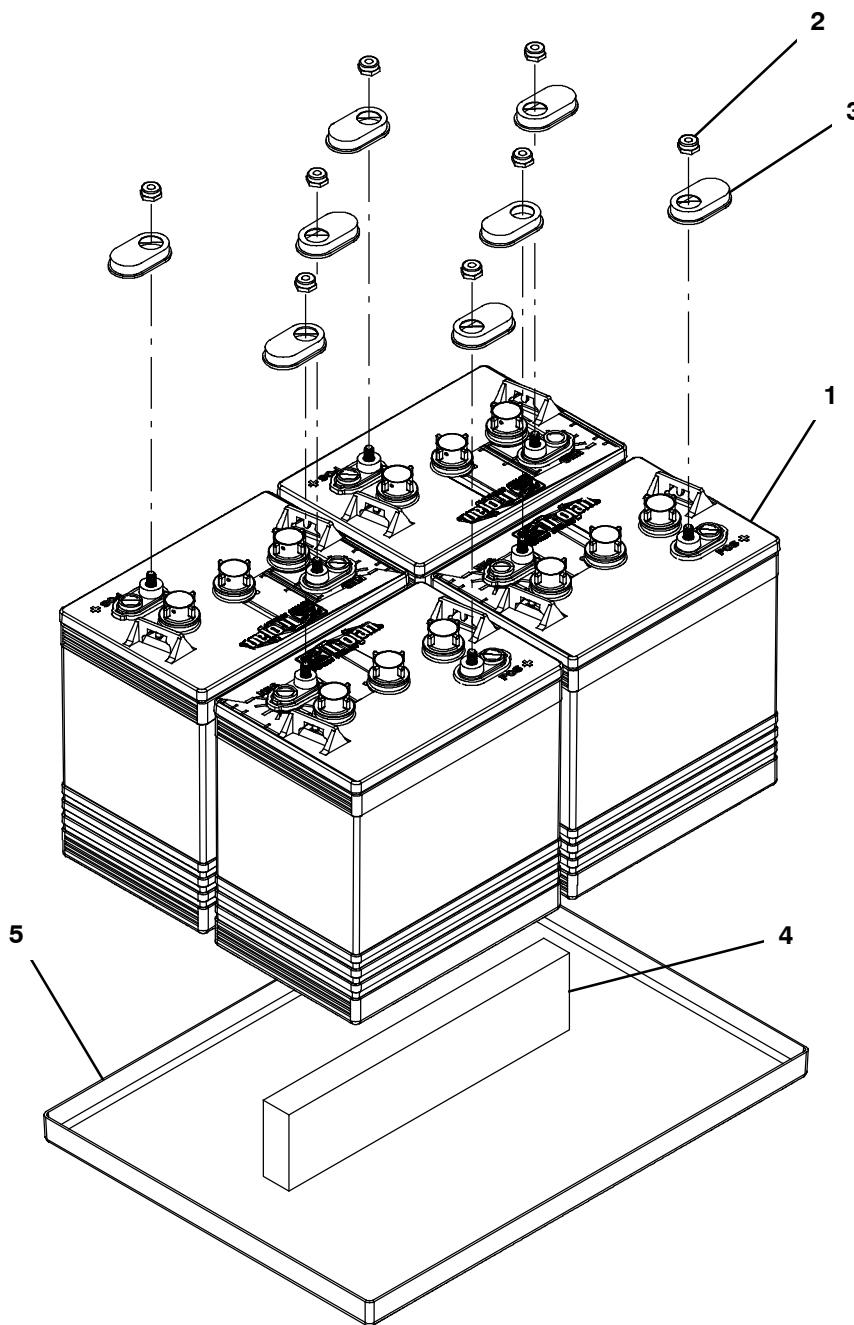
	Ref.	Part No.	Serial Number	Description	Qty.
▽	1	1074042	(30000000- 40000000 )	Battery, Agm, 06vdc, 220ah (Discover)	4
▲	2	87435	(30000000- 40000000 )	Nut, Hex, Flexlock, .31- 18	2
	3	630375	(30000000- 40000000 )	Spacer, Battery, Foam, 1.25 X 3.3 X 13.7	1
	4	1222318	(30000000- 40000000 )	Tray, Battery, Trimmed [T500, Thick]	1

▽ ASSEMBLY

▲ INCLUDED IN ASSEMBLY

BATTERY GROUP, WET 260AH

355448



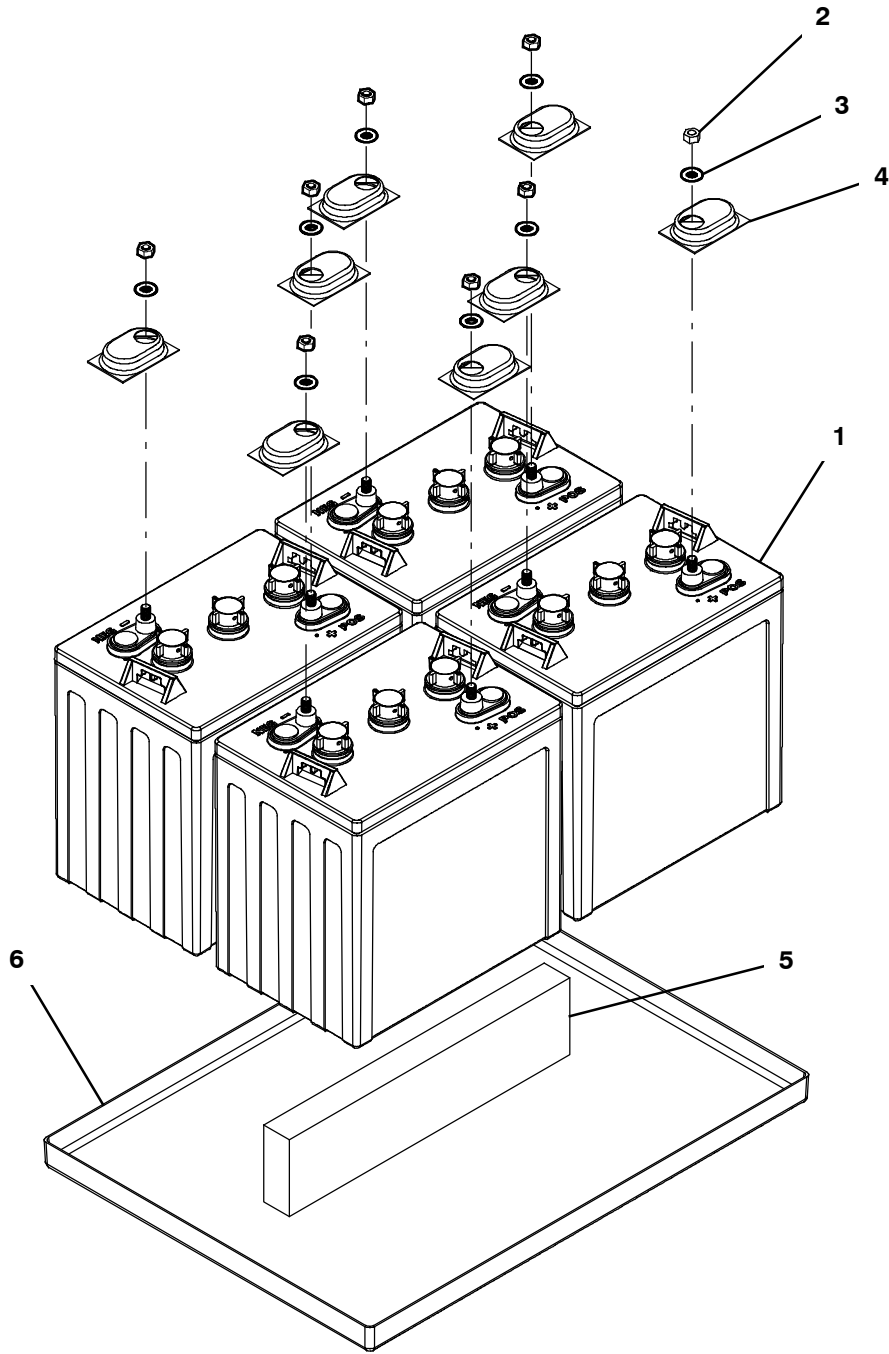
Ref.	Part No.	Serial Number	Description	Qty.
▽	1	390825	(30000000- 40000000 ) Battery, Wet, 06vdc 0244ah	4
▲	2	87435	(30000000- 40000000 ) Nut, Hex, Flexlock, .31- 18	2
▲	3	1041030	(30000000- 40000000 ) Cap, Battery, Black [For 155ah]	2
	4	630375	(30000000- 40000000 ) Spacer, Battery, Foam, 1.25 X 3.3 X 13.7	1
	5	1222318	(30000000- 40000000 ) Tray, Battery, Trimmed [T500, Thick]	1

▽ ASSEMBLY

▲ INCLUDED IN ASSEMBLY

BATTERY GROUP, WET 260AH (CHINA)

355734



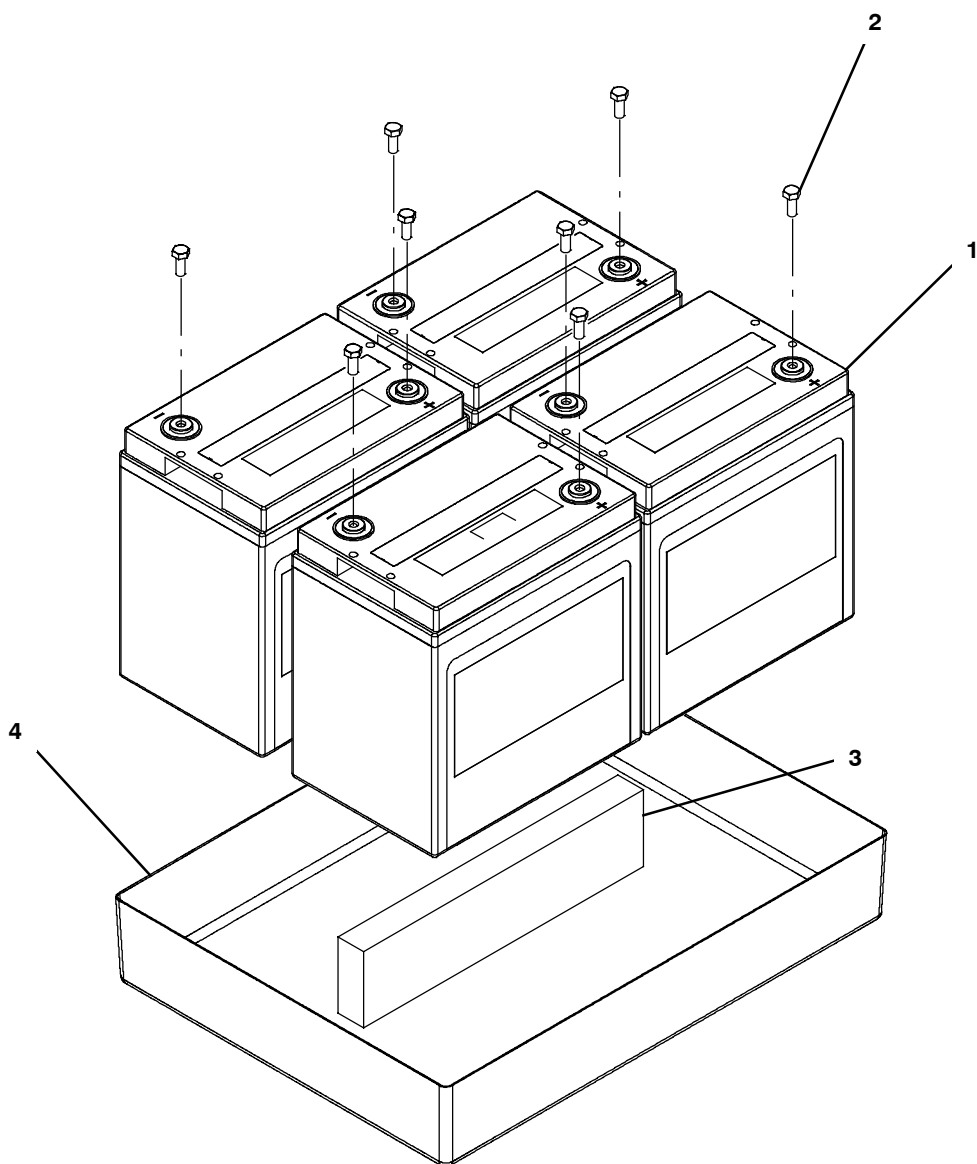
Ref.	Part No.	Serial Number	Description	Qty.
▽	1	1248613	(30000000- 40000000 ) Battery, Wet, 06vdc 0260ah, Cn	4
▲	2	07786	(30000000- 40000000 ) Nut, Hex, Std, M8 X 1.25, Ss	2
▲	3	140027	(30000000- 40000000 ) Washer, Flat, 0.35b 0.75d .04, Ss	2
	4	45962	(30000000- 40000000 ) Cap, Battery, White [For 105ah & 130ah]	2
	5	630375	(30000000- 40000000 ) Spacer, Battery, Foam, 1.25 X 3.3 X 13.7	1
	6	1222318	(30000000- 40000000 ) Tray, Battery, Trimmed [T500, Thick]	1

▽ ASSEMBLY

▲ INCLUDED IN ASSEMBLY

BATTERY GROUP, AGM 220AH (CHINA)

355844



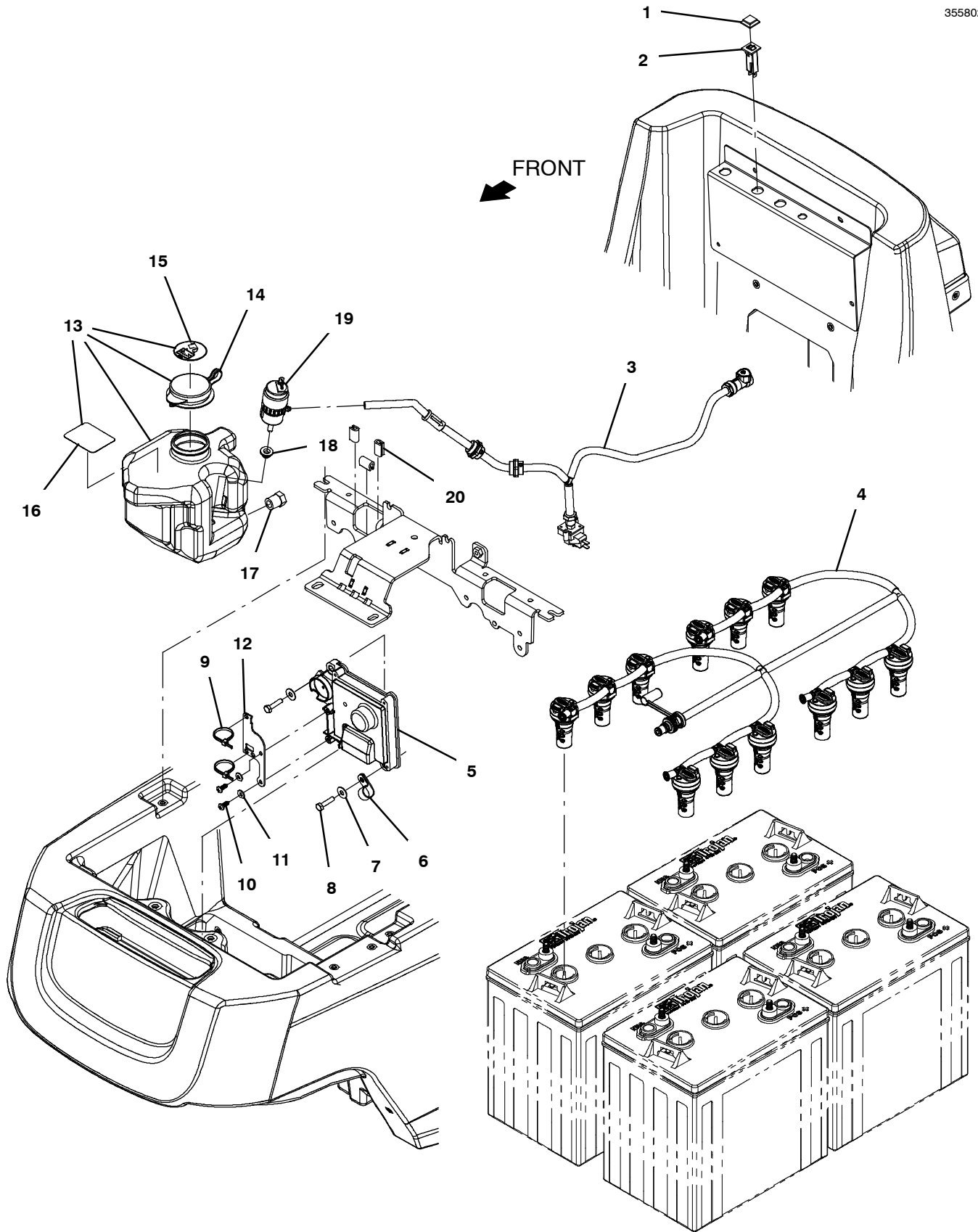
Ref.	Part No.	Serial Number	Description	Qty.
▽	1	1251239	(30000000- 40000000 ) Battery, Agm, 06vdc 0260ah, Cn (Includes Qty 2 Screws)	4
▲	2	N/A	(30000000- 40000000 ) Screw, M8 X 18, Ss, 8.8 (Not Available Separately)	2
	3	630375	(30000000- 40000000 ) Spacer, Battery, Foam, 1.25 X 3.3 X 13.7	1
	4	1222318	(30000000- 40000000 ) Tray, Battery, Trimmed [T500, Thick]	1

▽ ASSEMBLY

▲ INCLUDED IN ASSEMBLY

SMART-FILL AUTOMATIC BATTERY WATERING SYSTEM  
(S/N JUN2021 - )

355802



**SMART-FILL AUTOMATIC BATTERY WATERING SYSTEM  
(S/N JUN2021 - )**

Ref.	Part No.	Serial Number	Description	Qty.
▽	9021125*	(JUN2021- 40000000 )	Fill Kit, Battery, Auto, Ci [Trojan]	1
▲	1 1064191	(30000000- 40000000 )	Boot, Circuitbreaker	1
▲	2 1064187	(30000000- 40000000 )	Circuitbreaker, 10.0a, Resetable	1
▲	3 9018989	(JUN2021- 40000000 )	Delivery Kit, Water, Battery	1
▲	4 9018988	(JUN2021- 40000000 )	Distribution Kit, Water, Battery	1
▲	5 9016770*	(JUN2021- 40000000 )	Controller Kit, Battery, 24vdc, Ci [Abw] (See Breakdowns)	1
▲	6 40678- 1	(JUN2021- 40000000 )	Clamp, Cable, Stl, 0.88d X 0.62w, 1hole	1
▲	7 01684	(30000000- 40000000 )	Washer, Flat, 0.27b 0.69d .05, Ss	2
▲	8 1016005	(30000000- 40000000 )	Screw, Hex, M6 X 1.00 X 25, NI, FI, Ss	2
▲	9 130773	(30000000- 40000000 )	Tie, Cable, Nyl, 11.0l, .14w, 3.0 Max. D	2
▲	10 1018155	(30000000- 40000000 )	Screw, Pan, Phl, M5 X 0.80 X 16, Tcut,Ss	2
▲	11 01683	(30000000- 40000000 )	Washer, Flat, 10, Ss	2
▲	12 1252827	(JUN2021- 40000000 )	Bracket, Mtg, Abw	1
▲▽	13 9021131	(JUN2021- 40000000 )	Tank Kit, Battery Fill, Ci [W/ Pump]	1
▲▲	14 1224600	(30000000- 40000000 )	Cap, Snap, 2.17d [Blue]	1
▲▲	15 1224988	(JUN2021- 40000000 )	Label, Automated Battery Watering	1
▲▲	16 1233633	(JUN2021- 40000000 )	Label, Detgt [Do Not Add]	1
▲▲	17 630146	(JUN2021- 40000000 )	Fitting, Plug, Pm06, Hdpe	1
▲▲	18 1231338	(JUN2021- 40000000 )	Grommet, Pump	1
▲▲	19 1231018	(JUN2021- 40000000 )	Pump, In- Tank, 13.5vdc 3.5lpm	1
▲	20 1020168	(30000000- 40000000 )	Molding, Afmkt, Trim, Pvc, .08 .11, 01ft	1

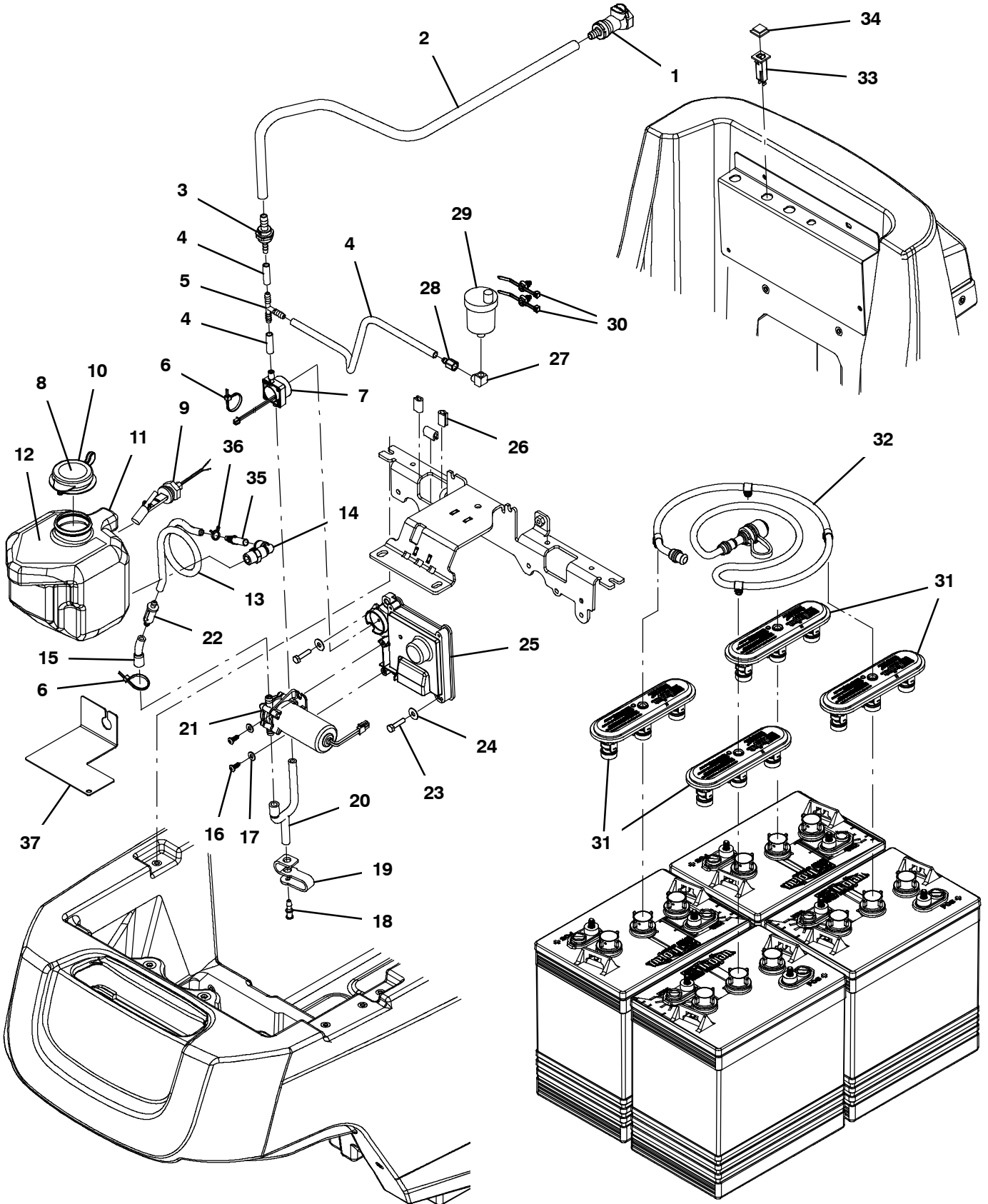
\* Requires Tennant *True* service or an authorized Tennant service provider.

▽ ASSEMBLY

▲ INCLUDED IN ASSEMBLY

SMART-FILL AUTOMATIC BATTERY WATERING GROUP  
(S/N 3000000 - MAY2021)

355453





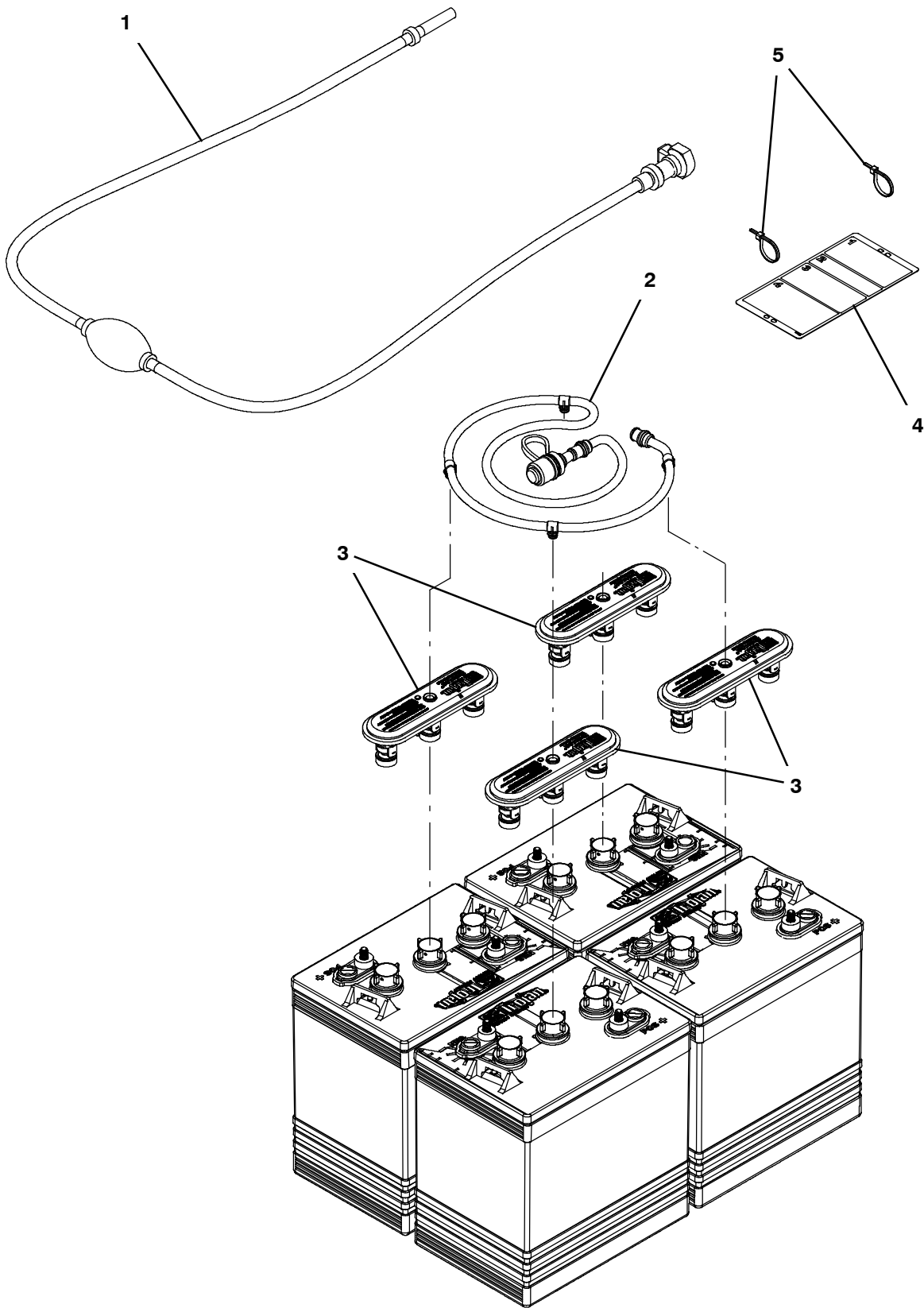
**SMART-FILL AUTOMATIC BATTERY WATERING GROUP  
(S/N 30000000 - MAY2021)**

Ref.	Part No.	Serial Number	Description	Qty.
1	1221589	(30000000- MAY2021 )	Fitting, Plstc, Str, Bm06, Cplg, Fem[HI]	1
2	1006416	(30000000- MAY2021 )	Hose, Afmkt, Pvc, Clr, 0.38id, 03ft	1
3	1225185	(30000000- MAY2021 )	Valve, Check, 0002psi Bm04/Bm06	1
4	1006415	(30000000- MAY2021 )	Hose, Afmkt, Pvc, Clr, 0.25id, 03ft	1
5	150713	(30000000- MAY2021 )	Fitting, Plstc, Tee, Bm04/Bm04/Bm04	1
6	130773	(30000000- 40000000 )	Tie, Cable, Nyl, 11.0l, .14w, 3.0 Max. D	2
7	1222371	(30000000- MAY2021 )	Sensor, Flow, Hall Effect, 5- 24vdc	1
8	1224988	(30000000- MAY2021 )	Label, Automated Battery Watering	1
9	1212430	(30000000- MAY2021 )	Sensor, Level, Liq, 30watt, Spst	1
10	1224600	(30000000- 40000000 )	Cap, Snap, 2.17d [Blue]	1
11	1217453	(30000000- 40000000 )	Tank [2.5 Liter]	1
12	1228813	(30000000- 40000000 )	Label, Warning, No Detgt	1
13	1006415	(30000000- MAY2021 )	Hose, Afmkt, Pvc, Clr, 0.25id, 03ft	1
14	1212812	(30000000- MAY2021 )	Fitting, Plstc, E90, Qf06/Pm06, Swivel	1
15	1224108	(30000000- MAY2021 )	Hose, Mold, Bm04/Bm06	1
16	1018155	(30000000- 40000000 )	Screw, Pan, Phl, M5 X 0.80 X 16, Tcut, Ss	2
17	01683	(30000000- 40000000 )	Washer, Flat, 10, Ss	2
18	1228042	(30000000- MAY2021 )	Fitting, Plstc, Cap, Bm03 [T500]	1
19	1228043	(30000000- MAY2021 )	Strap, Retaining, Cap [T500]	1
20	1224016	(30000000- MAY2021 )	Hose, Molded, Bm04/Bm06	1
21	1220042	(30000000- MAY2021 )	Pump, Fill, Battery	1
22	1222924	(30000000- MAY2021 )	Filter, In- Line, Bm04/Bm04, 100mic, 2.0l	1
23	1016005	(30000000- 40000000 )	Screw, Hex, M6 X 1.00 X 25, NI, Fl, Ss	2
24	01684	(30000000- 40000000 )	Washer, Flat, 0.27b 0.69d .05, Ss	2
25	9018008*	(30000000- MAY2021 )	Kit, Module, Abw, Ci (See Breakdowns)	1
26	1020168	(30000000- 40000000 )	Molding, Afmkt, Trim, Pvc, .08 .11, 01ft	1
27	150407	(30000000- MAY2021 )	Fitting, Brs, E90, Pf02/Pm02 [Street]	1
28	1040254	(30000000- MAY2021 )	Fitting, Brs, Str, Bm04/Pf02	1
29	1017386	(30000000- MAY2021 )	Valve, Vent, Air, Float Type	1
30	1210807	(30000000- MAY2021 )	Wire, Tie [W/.25" Fir Tree Clip]	2
31	1204142	(30000000- MAY2021 )	Cap, Fill, Battery [Trojan]	4
32	1229544	(30000000- MAY2021 )	Tube, Water, Battery, 24vdc [Trojan]	1
33	1064187	(30000000- 40000000 )	Circuitbreaker, 10.0a, Resetable	1
34	1064191	(30000000- 40000000 )	Boot, Circuitbreaker	1
35	1212857	(30000000- MAY2021 )	Fitting, Plstc, Str, Qm06/Bm04	1
36	613735	(30000000- MAY2021 )	Clamp, Hose, Wir, .40 - .42, Yel	1
37	1243106	(30000000- MAY2021 )	Plate, Shield, Switch	1

\* Requires Tennant *True* service or an authorized Tennant service provider.

HYDROLINK<sup>®</sup> MANUAL BATTERY WATERING KIT

355454



**HYDROLINK® MANUAL BATTERY WATERING KIT**

	<b>Ref.</b>	<b>Part No.</b>	<b>Serial Number</b>	<b>Description</b>	<b>Qty.</b>
▽		9010300	(30000000- 40000000 )	Battery Fill Kit, 24v, Ci [Hydrolink]	1
▲	1	1058939	(30000000- 40000000 )	Pump Kit, Fill, Battery	1
▲	2	1229544	(30000000- 40000000 )	Tube, Water, Battery, 24vdc [Trojan]	1
▲	3	1204142	(30000000- 40000000 )	Cap, Fill, Battery [Trojan]	4
▲	4	1071084	(30000000- 40000000 )	Label, Tag, Battery [Hydrolink Watering]	1
▲	5	130773	(30000000- 40000000 )	Tie, Cable, Nyl, 11.0l, .14w, 3.0 Max. D	2

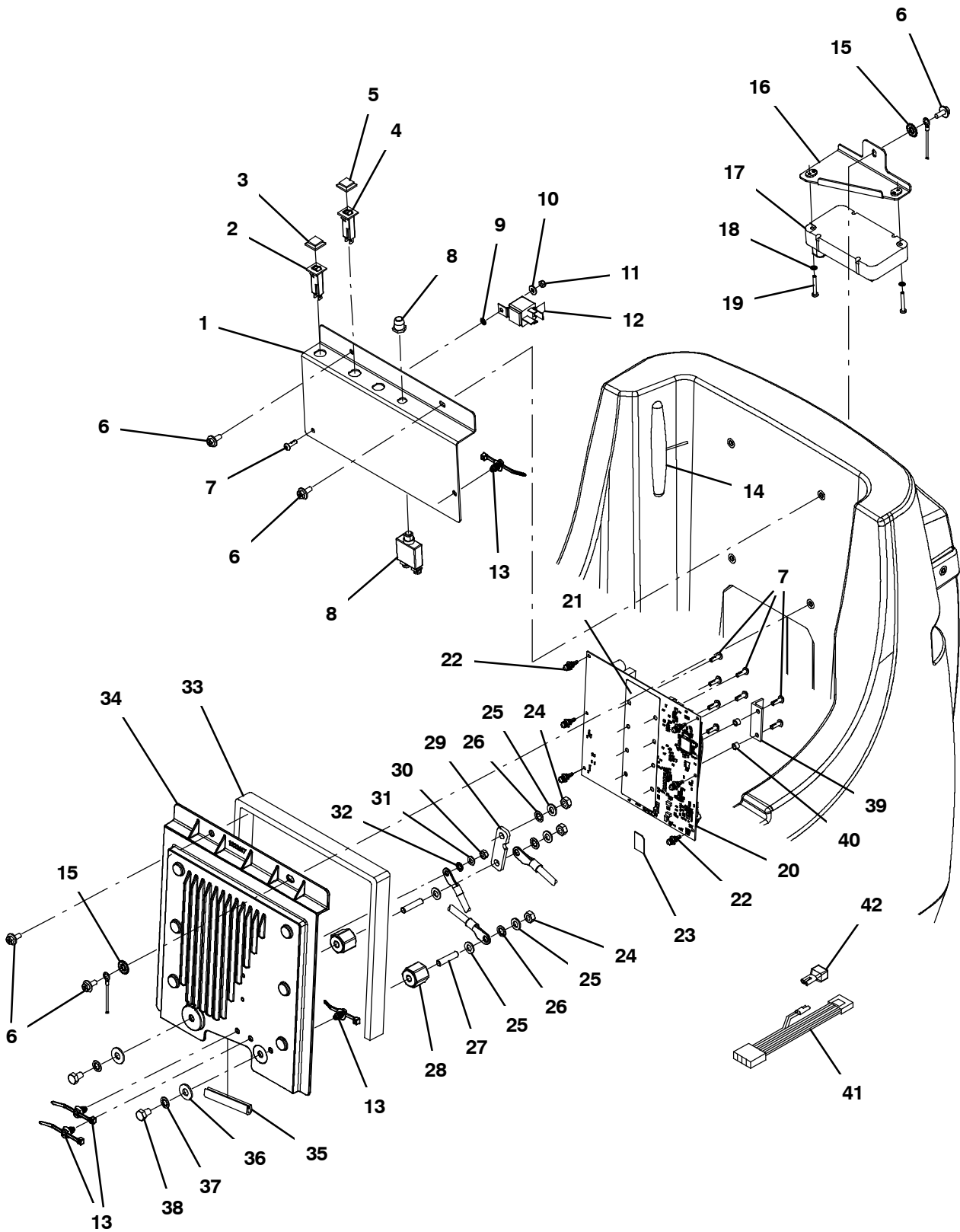
▽ ASSEMBLY

▲ INCLUDED IN ASSEMBLY

HYDROLINK® IS A REGISTERED TRADEMARK OF TROJAN BATTERY COMPANY.

TELEMETRY ELECTRICAL GROUP

355565



TELEMETRY ELECTRICAL GROUP

Ref.	Part No.	Serial Number	Description	Qty.	
1	1218761	(30000000- 40000000 )	Bracket, Mtg [Circuitbreakers- T500]	1	
2	1208816	(30000000- 40000000 )	Circuitbreaker, 04.0a, Resetable	1	
3	1064191	(30000000- 40000000 )	Boot, Circuitbreaker	1	
4	1064187	(30000000- 40000000 )	Circuitbreaker, 10.0a, Resetable	1	
5	1064191	(30000000- 40000000 )	Boot, Circuitbreaker	1	
6	1034731	(30000000- 40000000 )	Screw, Hex, M6 X 1.00 X 16, Sems, Ss	5	
7	1205799	(30000000- 40000000 )	Screw, Btn, M5 X 0.8 X 16, 8.8, NI, Torx	9	
8	383729	(30000000- 40000000 )	Circuitbreaker, 60.0a	1	
9	07514	(30000000- 40000000 )	Washer, Lock, Int, 10, Ss	1	
10	01683	(30000000- 40000000 )	Washer, Flat, 10, Ss	1	
11	09739	(30000000- 40000000 )	Nut, Hex, Lock, M5 X 0.80, NI, Ss	1	
12	1228510	(30000000- 40000000 )	Relay, 24vdc, 80a, Spst No, Plug- In	1	
13	1210807	(30000000- 40000000 )	Wire, Tie [W/.25" Fir Tree Clip]	4	
14	1247569	(xxxxxxx- 40000000 )	Antenna, Telem [4g, 36"]	1	
14	315724	(30000000- xxxxxxxx )	Antenna, Telem, 18.0 In [Gprs] (Replaced By 1247569)	1	
15	41140	(30000000- 40000000 )	Washer, Lock, Int- Ext, 0.25	2	
16	1223824	(30000000- 40000000 )	Bracket Wldt, Mtg, Cntrl, [T300/T300e]	1	
17	9015776*	(30000000- 40000000 )	Drive Module Kit, Ci	1	
18	02938	(30000000- 40000000 )	Washer, Lock, Int, 08, Ss	2	
19	33931	(30000000- 40000000 )	Screw, Pan, Phl, M4 X 0.70 X 30, Ss	2	
▽	20	9015787*	(30000000- 40000000 )	Kit, Control Board, Telem, Ci [T500]	1
▲		27964	(30000000- 40000000 )	Strap, Ground, Static, Disposable	1
▲		1071235	(30000000- 40000000 )	Cable [Usb, 2m, A- Male To Mini- B- Male]	1
▲		130773	(30000000- 40000000 )	Tie, Cable, Nyl, 11.0l, .14w, 3.0 Max. D	1
	21	1220930	(30000000- 40000000 )	Circuitboard, Silpad [T500, Main Scrub]	1
	22	1209448	(30000000- 40000000 )	Standoff, Circuitboard, .25	1
	23	9014187	(30000000- 40000000 )	Kit, Telem, Ci [Sim, Intl, T300]	1
	24	41361	(30000000- 40000000 )	Nut, Hex, Std, M8 X 1.25, Brs	6
	25	1209373	(30000000- 40000000 )	Washer, Flat, M8.4b X 16d X 1.6, Brs	3
	26	43952	(30000000- 40000000 )	Washer, Lock, Int, 0.31, Ss	5
	27	607461	(30000000- 40000000 )	Screw, Set, M8 X 1.25 X 35, NI	3
	28	1205345	(30000000- 40000000 )	Stand- Off, Wir, M8, Insulator, Panel	2
	29	1212780	(30000000- 40000000 )	Busbar, 125a 0.188 0.750w 2.638l	2
	30	1061910	(30000000- 40000000 )	Nut, Hex, Std, M6 X 1.00, Brs	1
	31	1061918	(30000000- 40000000 )	Washer, Flat, 0.25b 0.47d .06, Brs	1
	32	07515	(30000000- 40000000 )	Washer, Lock, Int, 0.25, Ss	1
	33	1219045	(30000000- 40000000 )	Gasket, Cover, Circuitboard	1
	34	1234401	(30000000- 40000000 )	Heatsink, Mtg, Circuitboard, Machined	1
	35	1020174	(30000000- 40000000 )	Molding, Afrmkt, Trim, Pvc, .08 .11, 03ft	1
	36	01685	(30000000- 40000000 )	Washer, Flat, 0.38b 0.88d .08, Ss	2
	37	32984	(30000000- 40000000 )	Washer, Lock, Int, 0.31	2
	38	386868	(30000000- 40000000 )	Screw, Hex, M8 X 1.25 X 12, Ss	2
	39	1227812	(30000000- 40000000 )	Bracket, Sma Connector	1
	40	1227815	(30000000- 40000000 )	Spacer, Unthreaded, Aluminium	2
	41	1075195	(30000000- 40000000 )	Harness, Ele, Adaptor [T300, Amii]	1
	42	222290	(30000000- 40000000 )	Diode, Ele, Plug	1

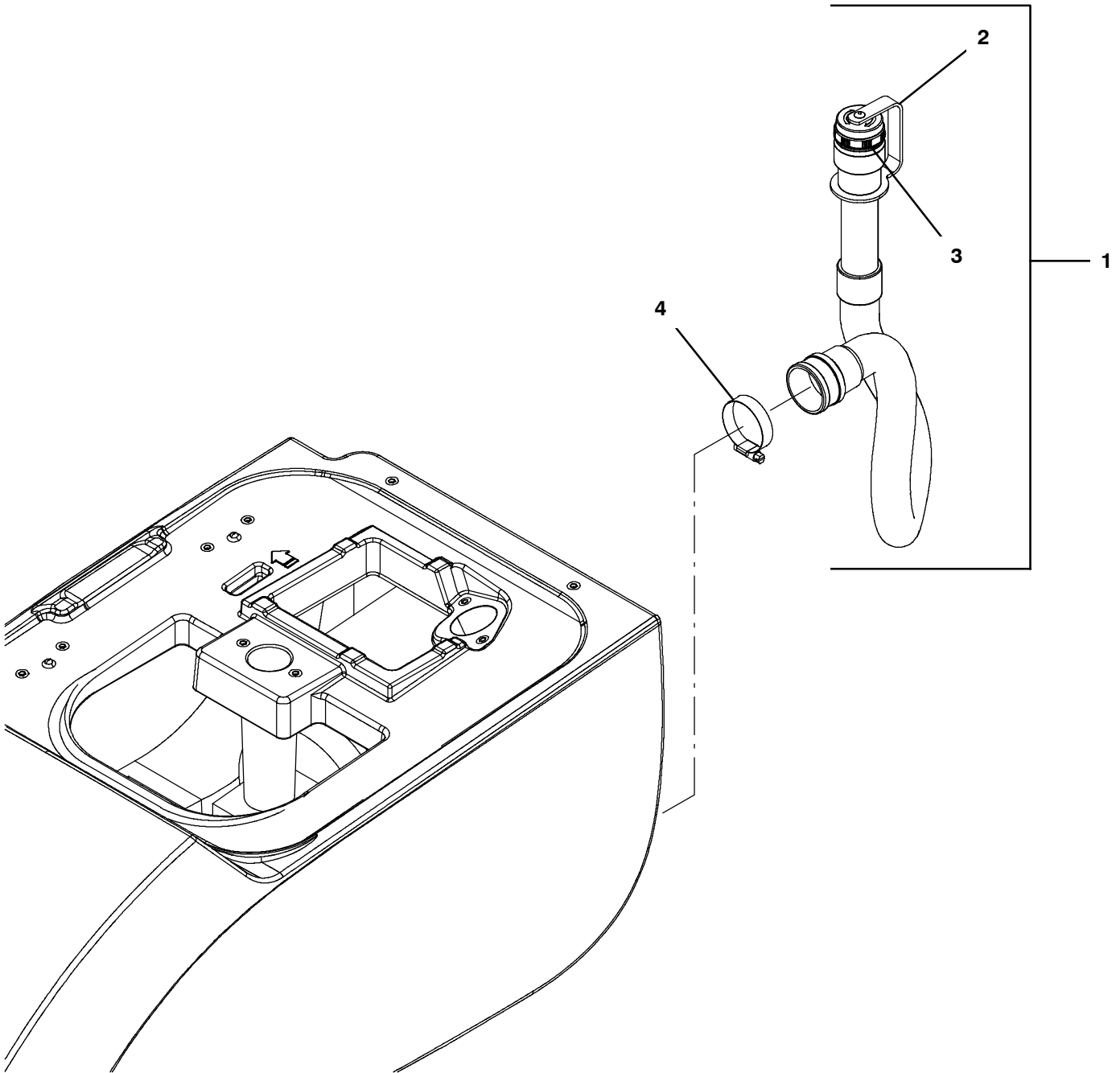
\* Requires Tennant *True* service or an authorized Tennant service provider.

▽ ASSEMBLY

▲ INCLUDED IN ASSEMBLY

PINCH CUFF SCREW CAP DRAIN HOSE

355731



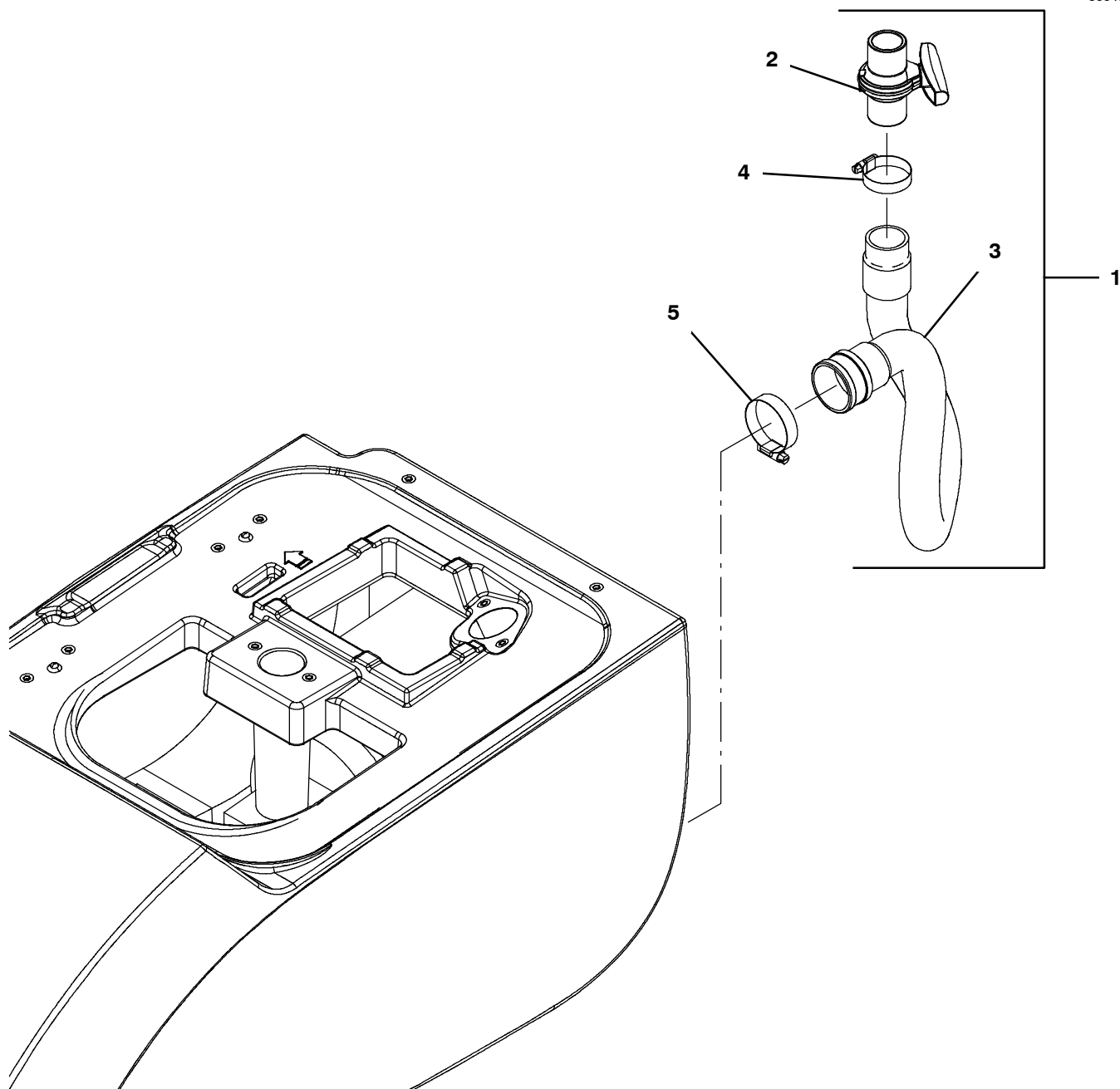
Ref.	Part No.	Serial Number	Description	Qty.
▽	1	1247083	(xxxxxxxx- 40000000 ) Hose Assy, Drain, 1.5id X 26.4l [Pu]	1
▲▽	2	1219134	(xxxxxxxx- 40000000 ) Cap, Drain Assy [Gray]	1
▲▲	3	1008637	(xxxxxxxx- 40000000 ) Seal, Org, 1.48id 1.76od	1
	4	22297	(30000000- 40000000 ) Clamp, Hose, Wormdrive, 1.56- 2.50d, .50w	1

▽ ASSEMBLY

▲ INCLUDED IN ASSEMBLY

CONTROL VALVE DRAIN HOSE KIT

355495



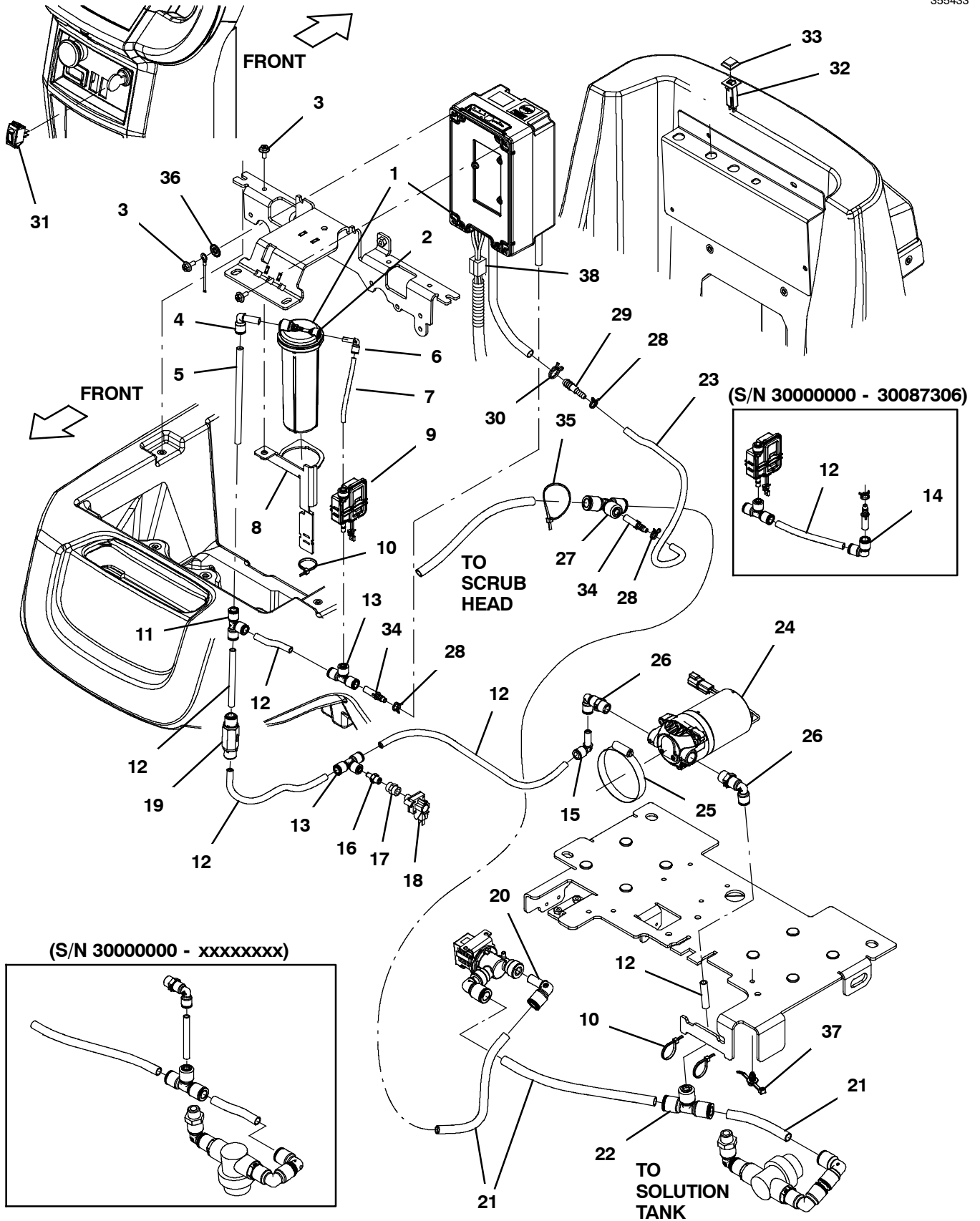
Ref.	Part No.	Serial Number	Description	Qty.
▽ 1	9015726	(30000000- xxxxxxxx )	Hose Kit, Drain, Pu, W/ Valve, Ci[T500](Gray) (No Longer Available - Replaced by Gray Pinch Cuff Screw Cap 1247083)	1
▲ 2	1051986	(30000000- xxxxxxxx )	Valve, Ball, 2way, 1.0id Pvc, W/Handle (No Longer Available - Replaced by Gray Pinch Cuff Screw Cap 1247083)	1
▲ 3	1225817	(30000000- xxxxxxxx )	Hose Assy, W/2cuff,1.5d 0271 2.0/1.5[Pu] (Gray) (No Longer Available - Replaced by Gray Pinch Cuff Screw Cap 1247083)	1
▲ 4	11531	(30000000- 40000000 )	Clamp, Hose, Wormdrive, 1.06- 2.00d, .56w	1
5	22297	(30000000- 40000000 )	Clamp, Hose, Wormdrive, 1.56- 2.50d, .50w	1

▽ ASSEMBLY

▲ INCLUDED IN ASSEMBLY

ec-H2O SOLUTION GROUP

355433





ec-H2O SOLUTION GROUP

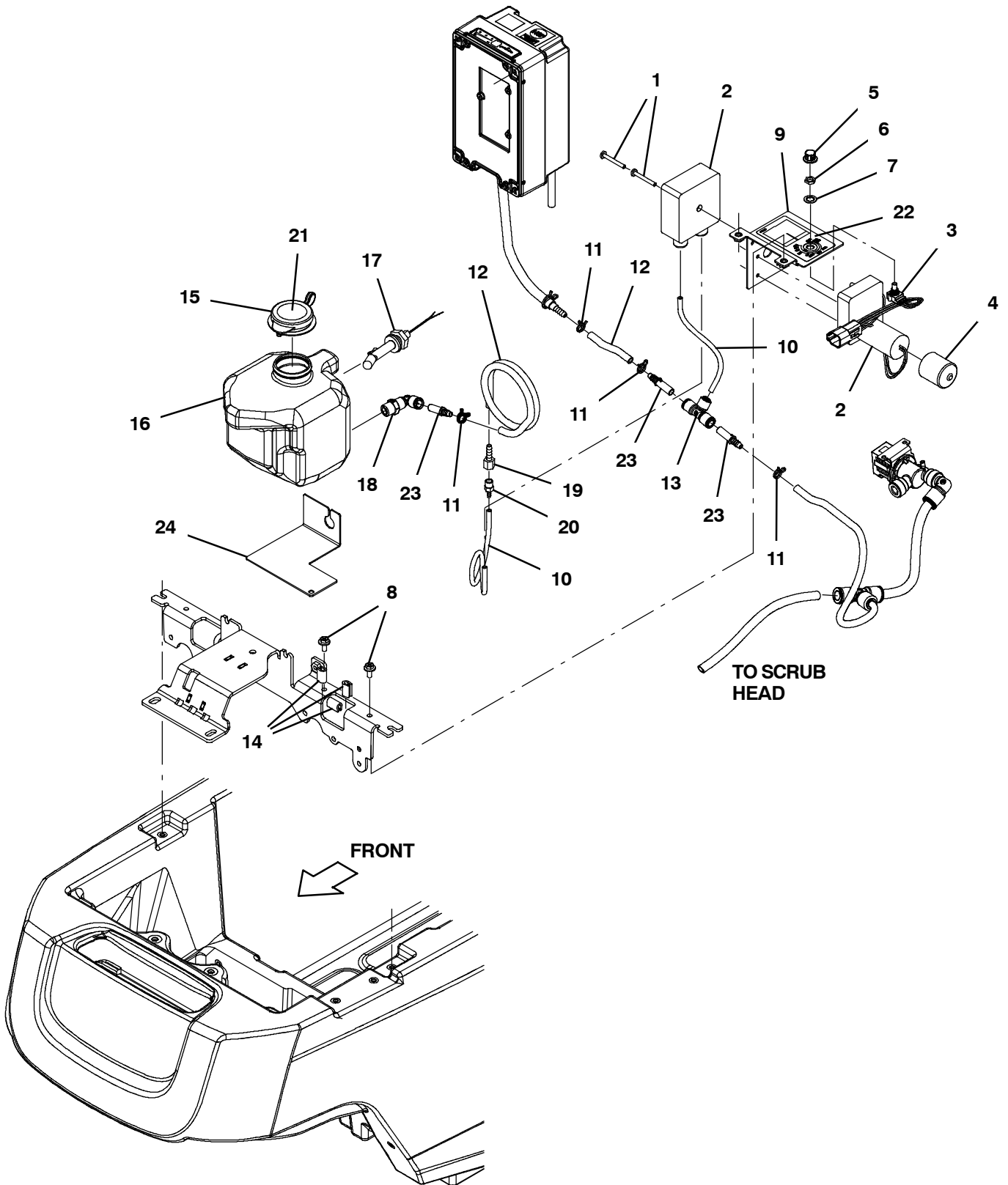
Ref.	Part No.	Serial Number	Description	Qty.
▽	1	9020643	(JUN2020- 40000000 ) Module Kit, Replmt [Ec- H2o, B 02] (See Breakdowns) (Australia Also Requires Qty 1 Ferrite #1065665)	1
▽	1	9011810	(30000000- MAY2020 ) Module Kit, Replmt [Ec- H2o, B 02] (See Breakdowns) (Australia Also Requires Qty 1 Ferrite #1065665) (Replaced By 9020643)	1
▲	2	9013646	(30000000- 40000000 ) Cartridge, Ec- H2o Nanoclean Wcm, 270ml	1
	3	1034731	(30000000- 40000000 ) Screw, Hex, M6 X 1.00 X 16, Sems, Ss	3
	4	1215186	(30000000- 40000000 ) Fitting, Plstc, E90, Qf06/Qm06	1
	5	9014146	(30000000- 40000000 ) Hose, Afmkt, Pvc, 0.06id .38od, 05ft	1
	6	1214339	(30000000- 40000000 ) Fitting, Plstc, E90, Qfo4/Qm04	1
	7	9014147	(30000000- 40000000 ) Hose, Afmkt, Pvc, 0.06id .25od, 05ft	1
	8	1221926	(30000000- 40000000 ) Bracket Wldt, Mtg, Ec- H20 [T500]	1
	9	1216973	(30000000- 40000000 ) Pump Assy, Dispenser	1
	10	130773	(30000000- 40000000 ) Tie, Cable, Nyl, 11.0l, .14w, 3.0 Max. D	3
	11	1212573	(30000000- 40000000 ) Fitting, Plstc, Tee, Qf06/Qf06/Qf06	1
	12	9014148	(30000000- 40000000 ) Hose, Afmkt, Nat, 0.25id 0.375od, 06ft	1
	13	1212855	(30000000- 40000000 ) Fitting, Plstc, Tee, Qf04/Qf06/Qf06	2
	14	1212856	(30000000- 30087306 ) Fitting, Plstc, E90, Qf06/Qf06	1
	15	1215186	(30000000- 40000000 ) Fitting, Plstc, E90, Qf06/Qm06	1
	16	1216185	(30000000- 40000000 ) Fitting, Plstc, Str, Qm04/Pm02	1
	17	150307	(30000000- 40000000 ) Fitting, Brs, Cplg, Pf02/Pf02	1
	18	1044414	(30000000- 40000000 ) Switch, Press, 15psi, Pm02	1
	19	1215527	(30000000- 40000000 ) Valve, Check, 1.0 Psi Qf06/Qf06	1
	20	1212809	(30000000- 40000000 ) Fitting, Plstc, E90, Qf08/Qm08	1
	21	9014145	(30000000- 40000000 ) Hose, Afmkt, Pe, .375id .50od, 05ft	1
	22	1212875	(30000000- 40000000 ) Fitting, Plstc, Tee, Qf06/Qf08/Qf08	1
	23	1014985	(30000000- 40000000 ) Hose, Afmkt, Pvc, Clr, 0.25id, 08ft	1
	24	1210517	(30000000- 40000000 ) Pump, Solt, Ele, 24vdc, 35 Psi	1
	25	43555	(30000000- 40000000 ) Clamp, Hose, Wormdrive, 2.62- 3.50d	1
	26	1212812	(30000000- 40000000 ) Fitting, Plstc, E90, Qf06/Pm06, Swivel	2
	27	1212875	(30000000- 40000000 ) Fitting, Plstc, Tee, Qf06/Qf08/Qf08	1
	28	613735	(30000000- 40000000 ) Clamp, Hose, Wir, .40 - .42, Yel	3
	29	1039557	(30000000- 40000000 ) Fitting, Plstc, Str, Bm04/Bm06	1
	30	607775	(30000000- 40000000 ) Clamp, Hose, Wir, .63 - .66, Blk	1
	31	1044393	(30000000- 40000000 ) Switch, Rocker, Spst, Mom	1
	32	1064187	(30000000- 40000000 ) Circuitbreaker, 10.0a, Resetable	1
	33	1064191	(30000000- 40000000 ) Boot, Circuitbreaker	1
	34	1212857	(30000000- 40000000 ) Fitting, Plstc, Str, Qm06/Bm04	2
	35	130773	(30000000- 40000000 ) Tie, Cable, Nyl, 11.0l, .14w, 3.0 Max. D	2
	36	41140	(30000000- 40000000 ) Washer, Lock, Int- Ext, 0.25	1
	37	1210807	(xxxxxxx- 40000000 ) Wire, Tie [W/.25" Fir Tree Clip]	1
	38	1065665	(30000000- 40000000 ) Inductor, 32.3mml [Ferrite 10- 250mhz] (Australia Only)	1

▽ ASSEMBLY

▲ INCLUDED IN ASSEMBLY

SEVERE ENVIRONMENT SOLUTION GROUP

355436



SEVERE ENVIRONMENT SOLUTION GROUP

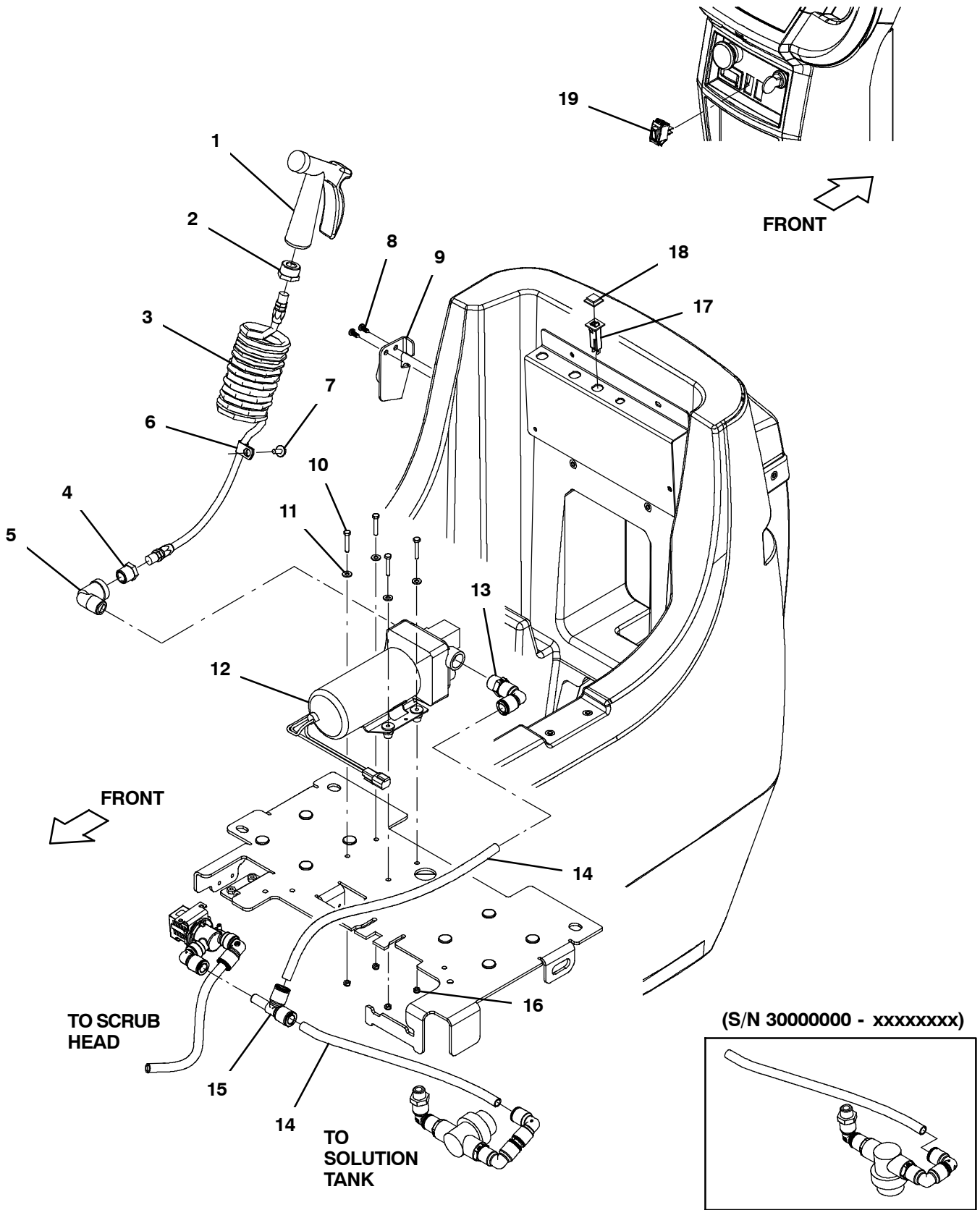
Ref.	Part No.	Serial Number	Description	Qty.
	1	17185	(30000000- 40000000 ) Screw, Pan, Phl, M5 X 0.80 X 40, Ss	2
▽	2	1215698	(30000000- 40000000 ) Pump Assy, Detgt, 24 Vdc [T300]	1
▲		1208721	(30000000- 40000000 ) Pump, Detgt, 24vdc, 120rpm	1
▲		1219077	(30000000- 40000000 ) Hose Kit, Detgt [0.5cc]	1
▲	3	1211775	(30000000- 40000000 ) Potentiometer [5k, W/Leads And Conn.]	1
	4	605064	(30000000- 40000000 ) Cap, Vinyl, 1.38 D 1.6l	1
	5	630265	(30000000- 40000000 ) Knob, Rnd, 0.75d 0.50l 0.25b, Plstc	1
	6	222607	(30000000- 40000000 ) Nut, Hex, Thin, .38- 32	1
	7	43953	(30000000- 40000000 ) Washer, Lock, Int, 0.38, Ss	1
	8	1034731	(30000000- 40000000 ) Screw, Hex, M6 X 1.00 X 16, Sems, Ss	2
	9	1221487	(30000000- 40000000 ) Bracket Wldt, Pump, Detgt [T500]	1
	10	613461	(30000000- 40000000 ) Hose, Pvc, Clr, 0.12id 0.25od 048.0l	1
	11	613735	(30000000- 40000000 ) Clamp, Hose, Wir, .40 - .42, Yel	4
	12	1006415	(30000000- 40000000 ) Hose, Afrmkt, Pvc, Clr, 0.25id, 03ft	1
	13	1212855	(30000000- 40000000 ) Fitting, Plstc, Tee, Qf04/Qf06/Qf06	1
	14	1020168	(30000000- 40000000 ) Molding, Afrmkt, Trim, Pvc, .08 .11, 01ft	1
	15	1057372	(30000000- 40000000 ) Cap, Snap, 2.17d (Black)	1
	16	1217453	(30000000- 40000000 ) Tank [2.5 Liter]	1
	17	1212430	(30000000- 40000000 ) Sensor, Level, Liq, 30watt, Spst	1
	18	1212812	(30000000- 40000000 ) Fitting, Plstc, E90, Qf06/Pm06, Swivel	1
	19	150520	(30000000- 40000000 ) Fitting, Brs, Str, Bm04/Pf02	1
	20	150524	(30000000- 40000000 ) Fitting, Brs, Str, Bm02/Pm02	1
	21	1224989	(30000000- 40000000 ) Label, Detergent Metering Tank	1
	22	1210440	(30000000- 40000000 ) Label, Opertnl, Detergent Metering	1
	23	1212857	(30000000- 40000000 ) Fitting, Plstc, Str, Qm06/Bm04	3
	24	1243106	(30000000- 40000000 ) Plate, Shield, Switch	1

▽ ASSEMBLY

▲ INCLUDED IN ASSEMBLY

RECOVERY TANK RINSE KIT

355431



RECOVERY TANK RINSE KIT

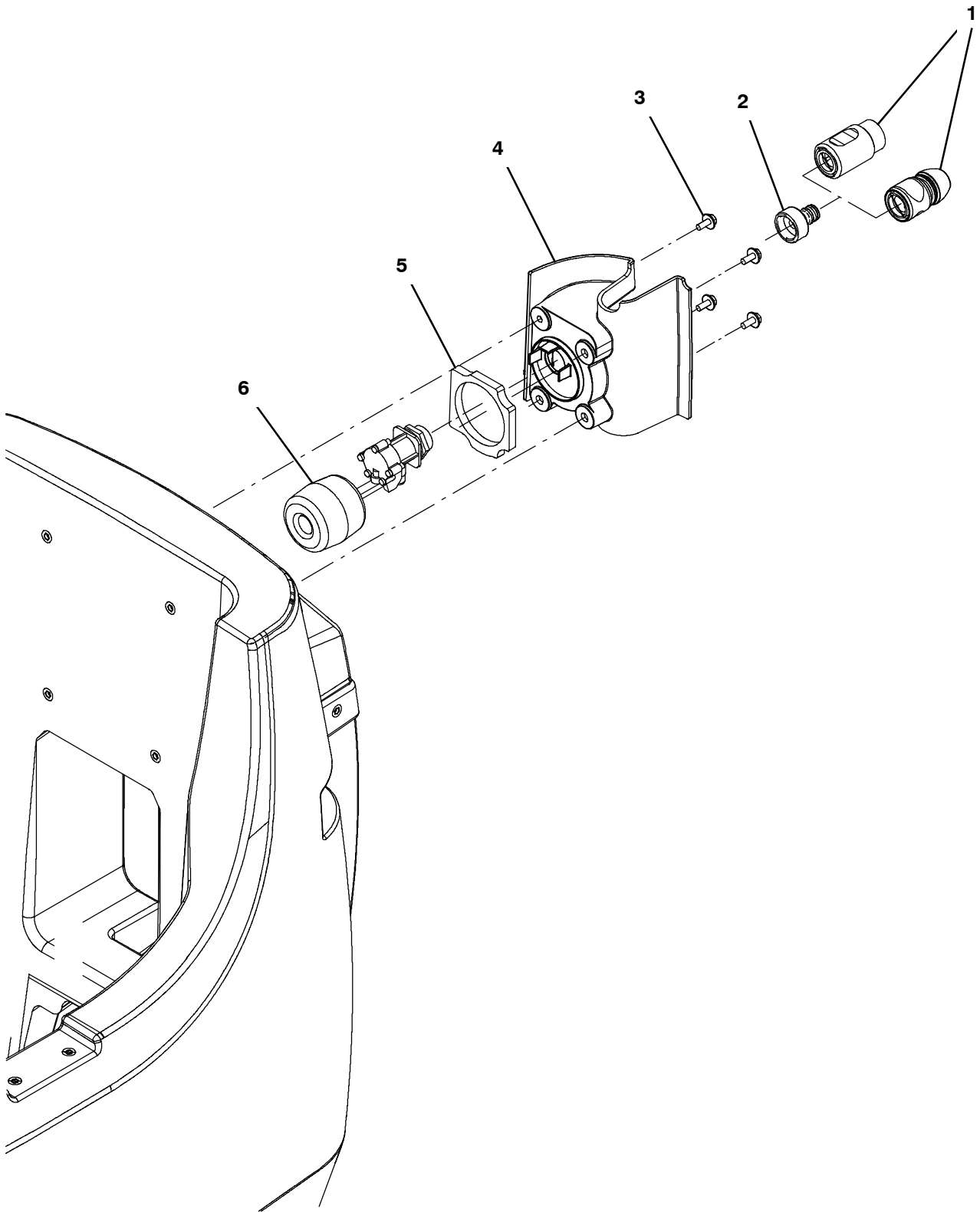
Ref.	Part No.	Serial Number	Description	Qty.
▽	9015481	(30000000- 40000000 )	Rinse Kit, Tank, Rec [T500] , Ci	1
▲	1 769785	(30000000- 40000000 )	Nozzle, Spray, Hand	1
▲	2 1220554	(30000000- 40000000 )	Fitting, Brs, Str, Pf04/Garden Hose	1
▲	3 160132	(30000000- 40000000 )	Hose Assy, 0.25id X 12ft Coil	1
▲	4 1220546	(30000000- 40000000 )	Fitting, Brs, Str, Pm08/Pf04	1
▲	5 1220131	(30000000- 40000000 )	Fitting, Plstc, E90, 1/2" Npt Male- Femal	1
▲	6 40678	(30000000- 40000000 )	Clamp, Cable, Stl, 0.44d X 0.62w, 1hole	1
▲	7 1034731	(30000000- 40000000 )	Screw, Hex, M6 X 1.00 X 16, Sems, Ss	1
▲	8 1018155	(30000000- 40000000 )	Screw, Pan, Phl, M5 X 0.80 X 16, Tcut,Ss	2
▲	9 1227293	(30000000- 40000000 )	Bracket, Hanger, Hose	1
▲	10 1228033	(30000000- 40000000 )	Screw, Hex, M5 X 0.80 X 30, Ss	4
▲	11 01683	(30000000- 40000000 )	Washer, Flat, 10, Ss	4
▲	12 1220123	(30000000- 40000000 )	Pump, Soltn, Ele, 24 Vdc, 60 Psi, 4 Gpm	1
▲	13 1212764	(30000000- 40000000 )	Fitting, Plstc, E90, Qf08/Pm08, Swivel	1
▲	14 9014145	(30000000- 40000000 )	Hose, Afrmkt, Pe, .375id .50od, 05ft	1
▲	15 1212806	(30000000- 40000000 )	Fitting, Plstc, Tee, Qf08/Qf08/Qm08	1
▲	16 09739	(30000000- 40000000 )	Nut, Hex, Lock, M5 X 0.80, NI, Ss	4
▲	17 1064188	(30000000- 40000000 )	Circuitbreaker, 15.0a, Resetable	1
▲	18 1064191	(30000000- 40000000 )	Boot, Circuitbreaker	1
▲	19 1044393	(30000000- 40000000 )	Switch, Rocker, Spst, Mom	1

▽ ASSEMBLY

▲ INCLUDED IN ASSEMBLY

SOLUTION TANK AUTO-FILL KIT

355455



**SOLUTION TANK AUTO-FILL KIT**

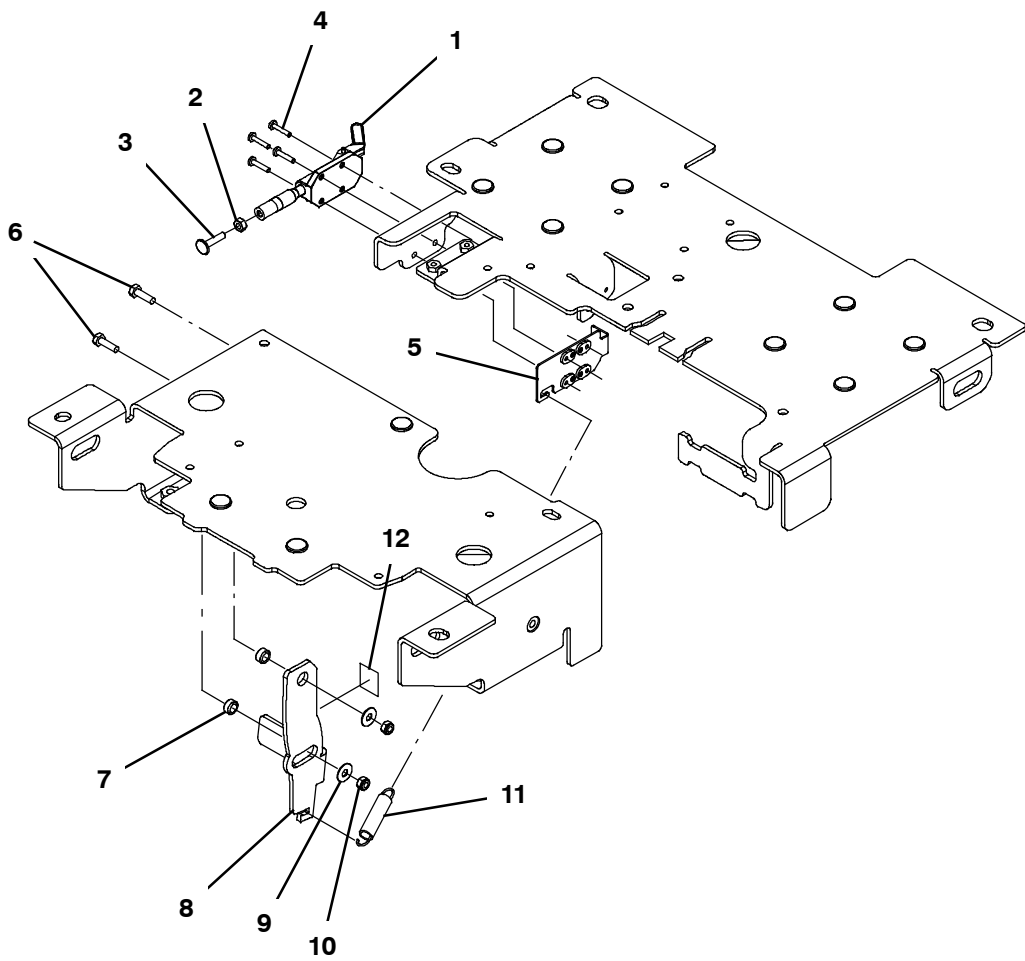
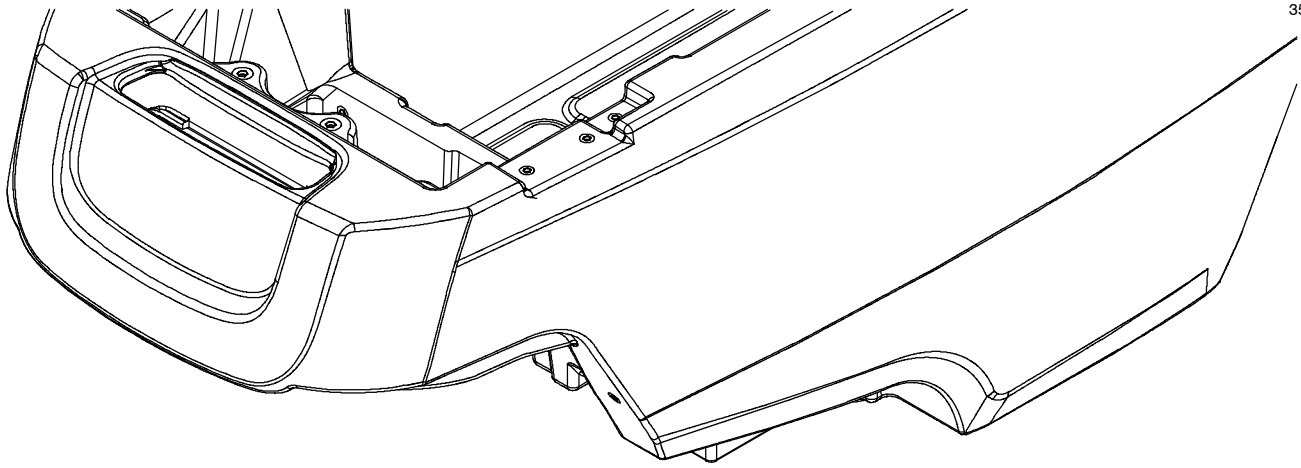
Ref.	Part No.	Serial Number	Description	Qty.
▽	9015482	(30000000- 40000000 )	Fill Kit, Auto, Ci	1
▲	1 1227400	(30000000- 40000000 )	Fitting, Plstc, Qd, Male	1
▲	1 1235103	(30000000- 40000000 )	Fitting, Plstc, Qd, Female (Australia)	1
▲	2 1227512	(30000000- 40000000 )	Fitting, Plstc, Qd, Female	1
▲	3 1034731	(30000000- 40000000 )	Screw, Hex, M6 X 1.00 X 16, Sems, Ss	4
▲	4 1225411	(30000000- 40000000 )	Cover, Auto Fill[T500]	1
▲	5 1220263	(30000000- 40000000 )	Seal, Bulk Head, Water	1
▲	6 1219566	(30000000- 40000000 )	Valve, Float, 6.7gpm	1

▽ ASSEMBLY

▲ INCLUDED IN ASSEMBLY

PARKING BRAKE GROUP

355420





**PARKING BRAKE GROUP**

Ref.	Part No.	Serial Number	Description	Qty.
1	1221694	(30000000- 40000000 )	Clamp, Brake, Parking [T500]	1
2	07785	(30000000- 40000000 )	Nut, Hex, Std, M6 X 1.00, Ss	1
3	1017416	(30000000- 40000000 )	Screw, Weld, M6 X 1.00 X 25, Thru, Ss	1
4	12323	(30000000- 40000000 )	Screw, Pan, Phl, M4 X 0.70 X 20, Ss	4
5	1221695	(30000000- 40000000 )	Plate Wldt, Brake [T500]	1
6	08716	(30000000- 40000000 )	Screw, Hex, M6 X 1.00 X 20, Ss	2
7	360801	(30000000- 40000000 )	Sleeve, 0.32b 0.50d 0.3l, 2cham, Ss	2
8	1221423	(30000000- 40000000 )	Shoe, Brake, Parking	1
9	01684	(30000000- 40000000 )	Washer, Flat, 0.27b 0.69d .05, Ss	2
10	08712	(30000000- 40000000 )	Nut, Hex, Lock, M6 X 1.00, NI, Ss	2
11	75575	(30000000- 40000000 )	Spring, Extn, 0.50od 0.06wir 02.5l	1
12	1224990	(30000000- 40000000 )	Label, Opertnl, Parking Brake	1

# OPTIONS

---

## DOCUMENTATION GROUP (ONLINE ONLY)

Ref.	Part No.	Serial Number	Description	Qty.
	9015520	(30000000- 40000000 )	Manual, Parts [T500, Cn Plnt]	1
	9015223	(30000000- 40000000 )	Manual, Oprtr [T500, En, Na/Intl]	1
	9015521	(30000000- 40000000 )	Manual, Oprtr [T500, Cn]	1
	9015522	(30000000- 40000000 )	Manual, Oprtr [T500, Kr]	1
	9015523	(30000000- 40000000 )	Manual, Oprtr [T500, Jp]	1
	9015524	(30000000- 40000000 )	Instr, Wall Chart [T500, Ce/Intl]	1
	9015504	(30000000- 40000000 )	Manual, Service [T500, En]	1



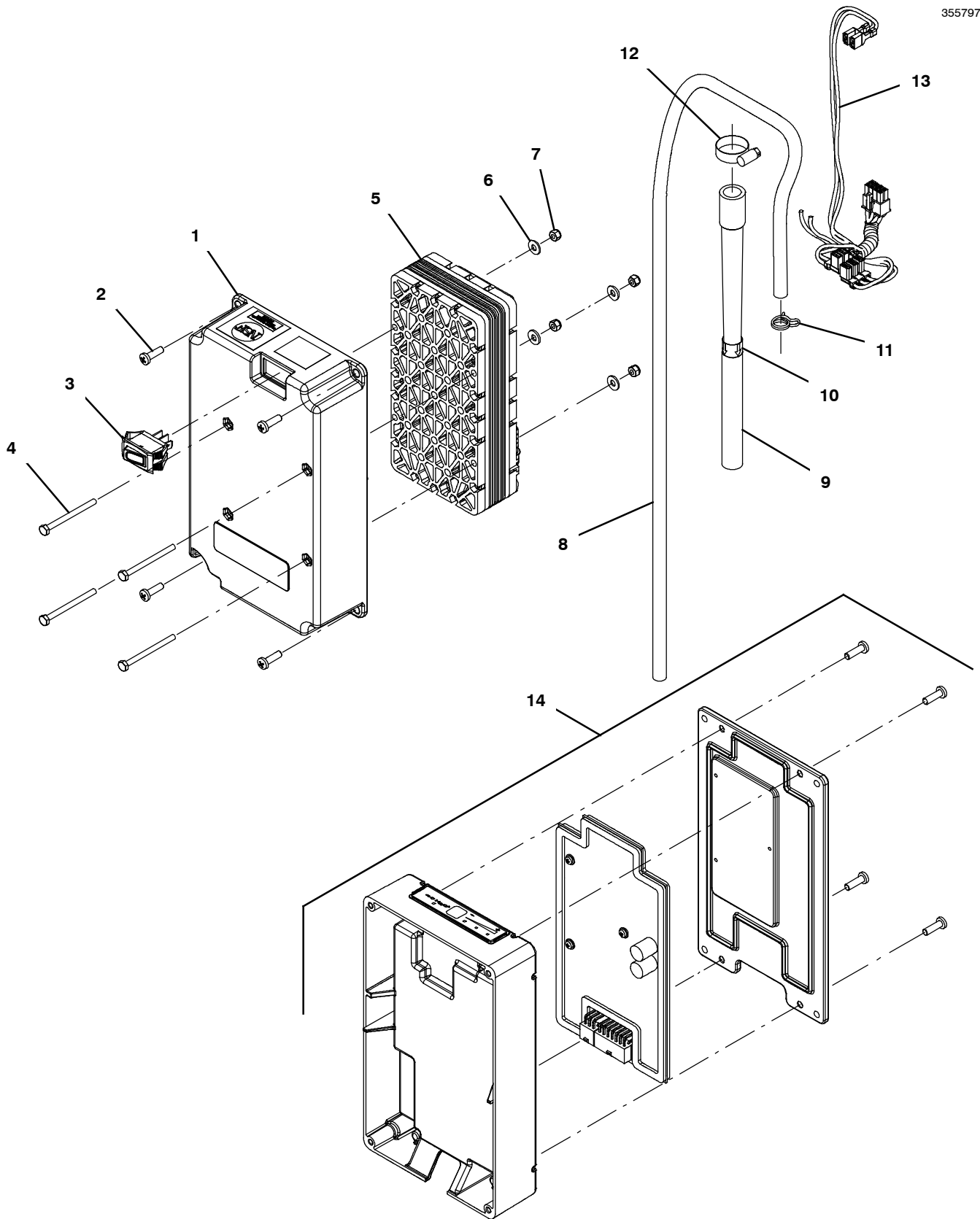
To view, print, order, download the latest Parts manual, other language Operator manuals, and Use and Care Guides (wall charts), visit:

[www.tennantco.com/manual](http://www.tennantco.com/manual)



ec- H2O NANOCLEAN MODULE BREAKDOWN 9020643  
(S/N JUN2020 - )

355797



**ec- H2O NANOCLEAN MODULE BREAKDOWN 9020643  
(S/N JUN2020 - )**

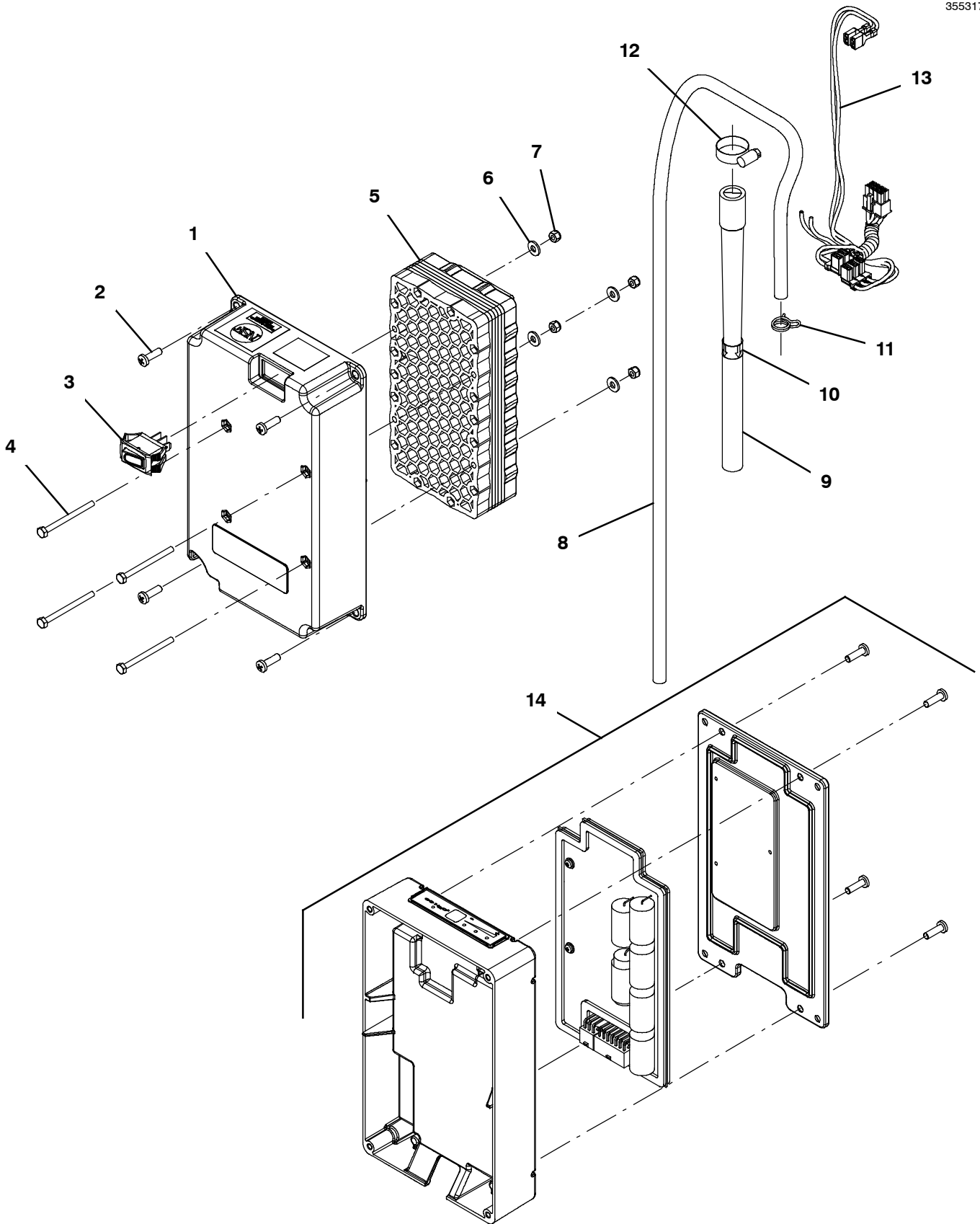
<b>Ref.</b>	<b>Part No.</b>	<b>Serial Number</b>	<b>Description</b>	<b>Qty.</b>
▽	9020643	(JUN2020- 40000000 )	Module Kit, Replmt [Ec- H2o, B 02] (Includes ec- H2O NanoClean Cartridge)	1
▲▽	9014126	(30000000- 40000000 )	Ec- H2o Nc Kit [Module B, Plumbing]	1
▲▲	1 1208823	(30000000- 40000000 )	Housing, Module, Upper, Ec- H2o	1
▲▲	2 1015506	(30000000- 40000000 )	Screw, Pan, Phl, M5 X 16, Tcut [Plastic]	4
▲▲	3 1044393	(30000000- 40000000 )	Switch, Rocker, Spst, Mom	1
▲▲	4 32509	(30000000- 40000000 )	Screw, Hex, M4 X 0.70 X 50, Ss	4
▲▲	5 1233516	(MAY2019- 40000000 )	Electrode, 5 Plate [De Nora Tech]	1
▲▲	6 41579	(30000000- 40000000 )	Washer, Flat, 08, Ss	4
▲▲	7 33932	(30000000- 40000000 )	Nut, Hex, Lock, M4 X 0.70, Ni, Ss	4
▲▲	8 1006415	(30000000- 40000000 )	Hose, Afrmkt, Pvc, Clr, 0.25id, 03ft	1
▲▲	9 1208526	(30000000- 40000000 )	Hose, Molded, Bm08/Bm06	1
▲▲	10 1049637	(30000000- 40000000 )	Label, Direction [Ec- H2o]	1
▲▲	11 613735	(30000000- 40000000 )	Clamp, Hose, Wir, .40 - .42, Yel	1
▲▲	12 54333	(30000000- 40000000 )	Clamp, Hose, Wormdrive, 0.31- 0.88d, .31w	1
▲▲	13 1073286	(30000000- 40000000 )	Harness, Ele, Module B2 [Ec- H2o]	1
▲	14 9020642	(JUN2020- 40000000 )	Controller Kit, Replmt [Ec- H2o Nc] (Includes ec- H2O NanoClean Cartridge)	1

▽ ASSEMBLY

▲ INCLUDED IN ASSEMBLY

ec- H2O NANOCLEAN MODULE BREAKDOWN 9011810  
(S/N 30000000 - MAY2020)

355317



**ec- H2O NANOCLEAN MODULE BREAKDOWN 9011810  
(S/N 30000000 - MAY2020)**

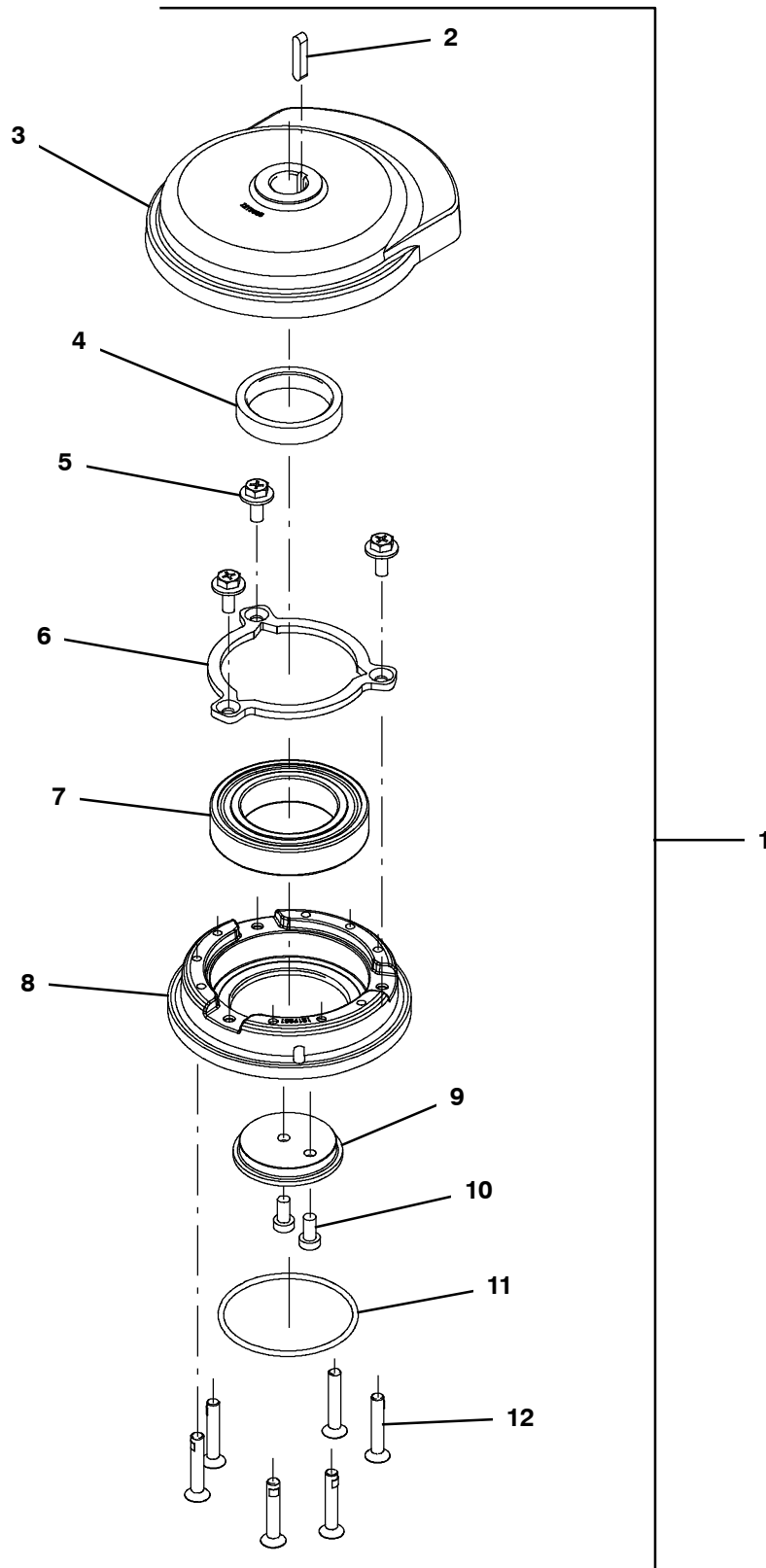
Ref.	Part No.	Serial Number	Description	Qty.
▽	9011810	(30000000- MAY2020 )	Module Kit, Replmt [Ec- H2o, B 02](Includes ec- H2O NanoClean Cartridge) (Replaced By 9020643)	1
▲▽	9014126	(30000000- 40000000 )	Ec- H2o Nc Kit [Module B, Plumbing]	1
▲▲	1 1208823	(30000000- 40000000 )	Housing, Module, Upper, Ec- H2o	1
▲▲	2 1015506	(30000000- 40000000 )	Screw, Pan, Phl, M5 X 16, Tcut [Plastic]	4
▲▲	3 1044393	(30000000- 40000000 )	Switch, Rocker, Spst, Mom	1
▲▲	4 32509	(30000000- 40000000 )	Screw, Hex, M4 X 0.70 X 50, Ss	4
▲▲	5 1208164	(30000000- APR2019 )	Electrode, 5 Plate, High Flow	1
▲▲	6 41579	(30000000- 40000000 )	Washer, Flat, 08, Ss	4
▲▲	7 33932	(30000000- 40000000 )	Nut, Hex, Lock, M4 X 0.70, Ni, Ss	4
▲▲	8 1006415	(30000000- 40000000 )	Hose, Afrmkt, Pvc, Clr, 0.25id, 03ft	1
▲▲	9 1208526	(30000000- 40000000 )	Hose, Molded, Bm08/Bm06	1
▲▲	10 1049637	(30000000- 40000000 )	Label, Direction [Ec- H2o]	1
▲▲	11 613735	(30000000- 40000000 )	Clamp, Hose, Wir, .40 - .42, Yel	1
▲▲	12 54333	(30000000- 40000000 )	Clamp, Hose, Wormdrive, 0.31- 0.88d, .31w	1
▲▲	13 1073286	(30000000- 40000000 )	Harness, Ele, Module B2 [Ec- H2o]	1
▲	14 9014127	(30000000- MAY2020 )	Controller Kit, Replmt [Ec- H2o Nc] (Includes ec- H2O NanoClean Cartridge) (Replaced By 9020642)	1

▽ ASSEMBLY

▲ INCLUDED IN ASSEMBLY

ORBITAL HEAD ECCENTRIC DRIVE BREAKDOWN

355477





## ORBITAL HEAD ECCENTRIC DRIVE BREAKDOWN

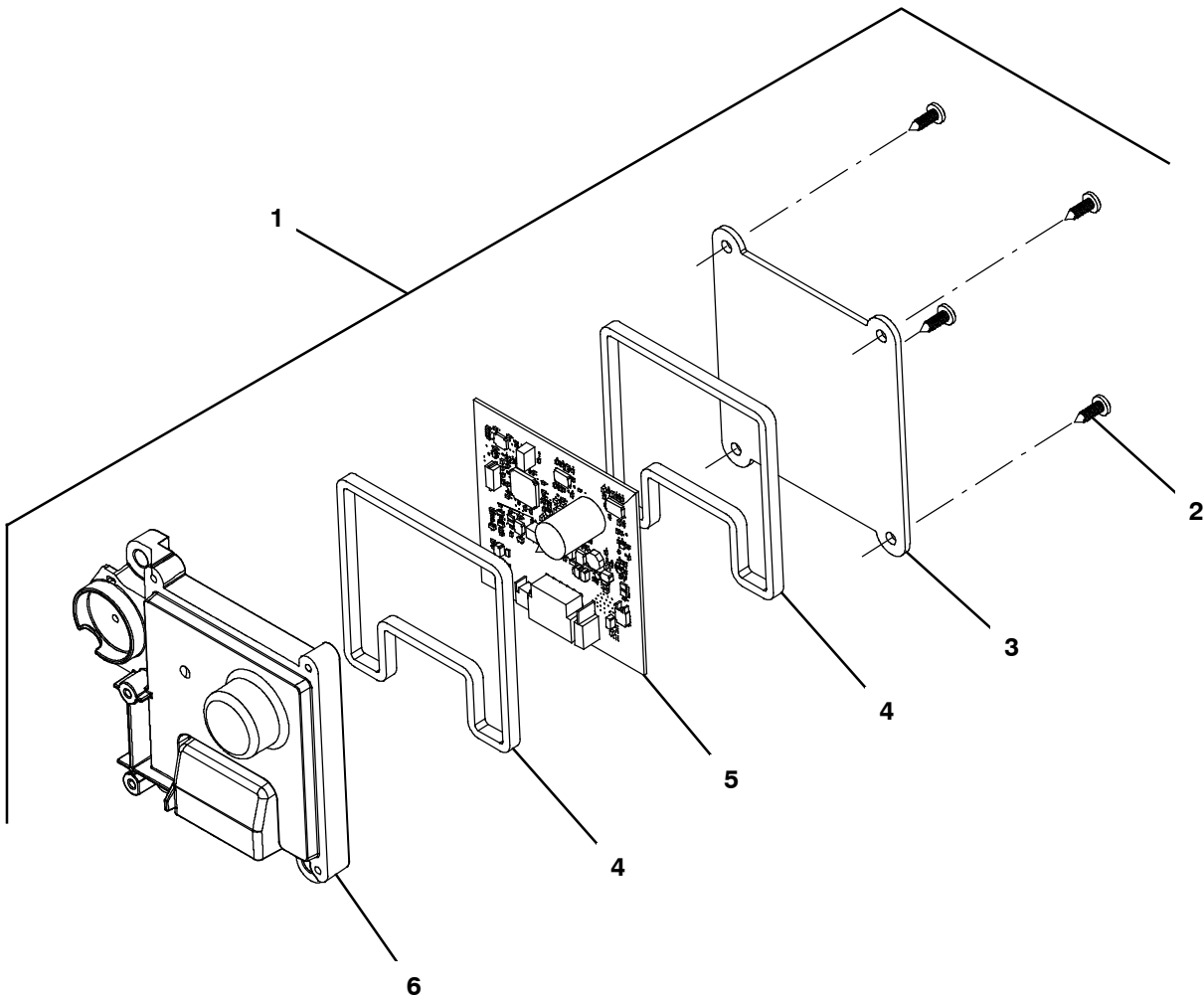
Ref.	Part No.	Serial Number	Description	Qty.
▽	1	9015774	(30000000- 40000000 ) Eccentric Drive Kit, Orbital	1
▲	2	1231238	(30000000- 40000000 ) Key, Sq, 5mm X 5mm X 22mm	1
▲	3	N/A	(30000000- 40000000 ) Balance, Eccentric, Step [Machined]	1
▲	4	N/A	(30000000- 40000000 ) Spacer, Eccentric	1
▲	5	N/A	(30000000- 40000000 ) Screw, Hex, M6 X 1.00 X 16, Sems	3
▲	6	N/A	(30000000- 40000000 ) Plate, Retainer, Brg, Outer	1
▲	7	1220452	(30000000- 40000000 ) Bearing, Ball, 2.17b 3.54d .71w	1
▲	8	N/A	(30000000- 40000000 ) Housing, Bearing, Outer [Machined]	1
▲	9	N/A	(30000000- 40000000 ) Retainer, Bearing, Inner [Qpq]	1
▲	10	N/A	(30000000- 40000000 ) Screw, Soc, M6 X 1.00 X 12, 8.8, Low	2
▲	11	1221394	(30000000- 40000000 ) Seal, Org, .125 X 02.63id	1
▲	12	1212710	(30000000- 40000000 ) Screw, Flt, Soc, M6 X 1.00 X 35, 10.9,NI	6

▽ ASSEMBLY

▲ INCLUDED IN ASSEMBLY

**AUTOMATIC BATTERY WATERING MODULE BREAKDOWN**

355564



Ref.	Part No.	Serial Number	Description	Qty.
▽	1	9016770*	(JUN2021- 40000000 ) Controller Kit, Battery, 24vdc, Ci [Abw]	1
▽	1	9018008*	(30000000- MAY2021 ) Kit, Module, Abw, Ci	1
▲	2	1018155	(30000000- 40000000 ) Screw, Pan, Phl, M5 X 0.80 X 16, Tcut,Ss	4
▲	3	1223055	(30000000- 40000000 ) Panel, Mtg, Fill, Auto, Battery	1
▲	4	1223286	(30000000- 40000000 ) Seal, Cover, Board, Battery Watering	2
▲	5	1220931	(30000000- 40000000 ) Circuitboard Assy [Abw Module]	1
▲	6	1223261	(30000000- 40000000 ) Cover, Circuitboard, Battery Watering	1

**\* Requires Tennant *True* service or an authorized Tennant service provider.**

▽ ASSEMBLY

▲ INCLUDED IN ASSEMBLY

