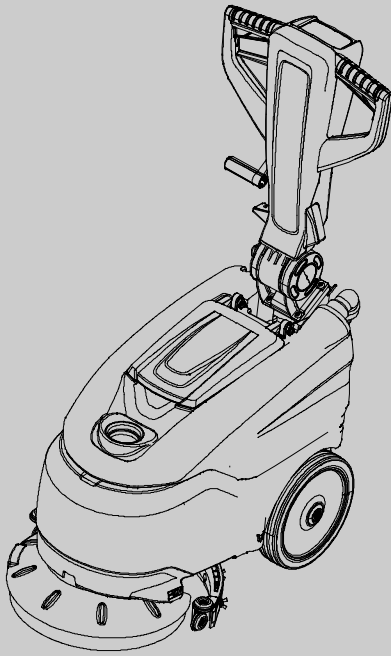




CS16

Battery Floor Scrubber

Parts Manual



Model Part No.:
LPTB03328 CS16 BATTERY SCRUBBER [NA]
LPTB03302 CS16 BATTERY SCRUBBER [ANZ]

Tennant True® Parts

NA/ANZ



To view, print or download
Tennant manuals, visit:

www.tennantco.com/manuals

9022035
Rev. 01 (07-2022)

Only use TENNANT Company supplied or equivalent parts. Parts and supplies may be ordered online, by phone or from any Tennant Authorized Service Center or Distributor.

Before Ordering any parts or supplies, be sure to have the machine model number and serial number available.

Serial Number Location



Tennant Company

PO Box 1452
Minneapolis, MN 55440 USA
NA Phone: (800) 553-8033
ANZ Phone: 1800 226 843
www.tennantco.com
www.tennantco.com.au

Specifications and parts are subject to change without notice.

Copyright © 2022 TENNANT Company

RECOMMENDED SPARE PARTS LIST 4

BRUSHES / PAD DRIVER AND PADS 5

TANK AND BATTERY CHARGER GROUP 6

HANDLE AND FRAME GROUP 8

SQUEEGEE ASSEMBLY AND BRUSH DRIVE GROUP 10

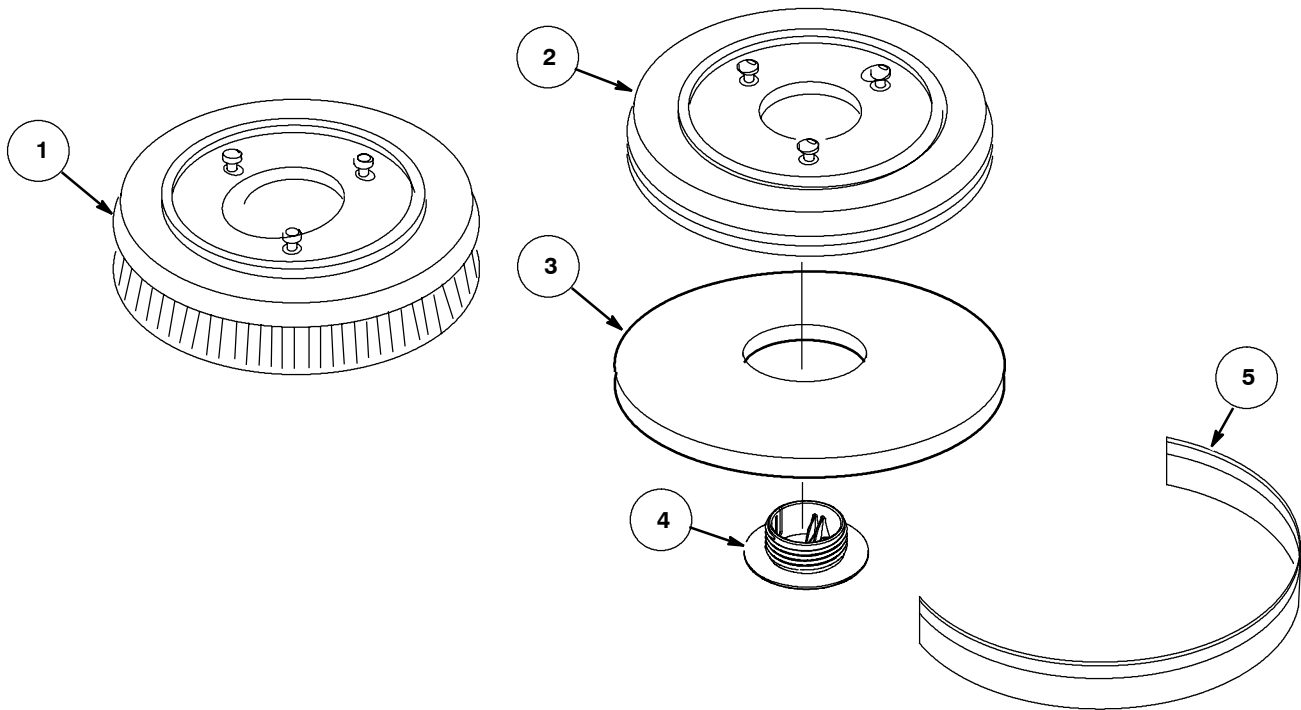
ELECTRICAL DIAGRAM 12

RECOMMENDED SPARE PARTS LIST

| WEAR PARTS | |
|------------|---|
| PART NO. | DESCRIPTION |
| SPPV02656 | BRUSH ASSY, DISK, SCB, 35CM, 3-LUG,PYP |
| SPPV02657 | BRUSH ASSY,DISK,SCB,35CM,3-LUG, PYP,SOFT |
| SPPV02659 | BRUSH ASSY, DISK,ABR, 35CM,3-LUG,120 GRIT |
| SPPV02664 | DRIVER ASSY, PAD, 35CM, 3-LUG |
| 1243656 | PAD, BUFF, 14.0D, RED [QTY 5] (NA Market) |
| 1243344 | PAD, SCRUB, 14.0D, BLUE [QTY 5] (NA Market) |
| 1243657 | PAD, STRIP, 14.0D, BROWN [QTY 5] (NA Market) |
| 1243343 | PAD, POLISH, 14.0D, WHITE [QTY 5] (NA Market) |
| 1240389 | PAD, POLISH, 14.0D, YELLOW [QTY 5] (NA Market) |
| 9017829 | BLADE, SQGE, FRONT, 536L, LINATEX [STANDARD] |
| 9017830 | BLADE, SQGE, REAR, 596L, LINATEX [STANDARD] |
| 9017826 | BLADE, SQGE, FRONT, 536L, LATEX [OPTIONAL] |
| 9017827 | BLADE, SQGE, REAR, 596L, LATEX [OPTIONAL] |
| 9017832 | BLADE KIT, SQGE, 536L/596L, FRONT& REAR ,PYU [OPTIONAL] |

| SERVICE PARTS | |
|---------------|---|
| PART NO. | DESCRIPTION |
| PMVR06994 | SQUEEGEE ASSY KIT, LINATEX BLADES [STANDARD] |
| 9017852 | SQUEEGEE ASSY KIT, LATEX BLADES |
| KTRIO5575 | LID ASSEMBLY, RECOVERY TANK |
| 9017840 | SEAL, COVER, RECVY TANK |
| 9017842 | HOSE ASSY, RECVY |
| 9017844 | FLOAT, SHUTOFF |
| 9017846 | CABLE, LIFT, SQGE |
| 9017845 | HOSE ASSY, DRAIN |
| 9017847 | VALVE, WATER, SOLENOID, 24VDC |
| 9017848 | WHEEL, SQGE |
| 9017849 | SPRING, SQGE |
| 9017850 | CLIP, HOSE, RECV |
| 9017689 | SWITCH, HANDLE |
| 9018511 | FILTER, WATER, COMPL |
| MECE00827 | CIRCUITBOARD KIT, AFMKT |
| 897642 | MOTOR, BRUSH, 24V |
| 9017686 | CARBON BRUSH KIT, BRUSH, MOTOR [4 PC] |
| 897566 | MOTOR, VACUUM |
| 9017687 | CARBON BRUSH, MOTOR, VAC FAN |
| GUGO00599 | GASKET, MOTOR, VACUUM |
| 9017854 | BATTERY, AGM, 12VDC, 29AH (NA) |
| L-EVU1A-A | BATTERY, AGM, 12VDC, 30AH (ANZ) |
| L-GF12025Y | BATTERY, GEL, 12VDC, 25AH (ANZ) |
| BACA00254 | CHARGER, 24VDC/5A, 100-240VAC [ONBOARD] (NA) |
| 9017856 | CHARGER, 24VDC/5A, 100-240VAC [ONBOARD] (ANZ) |
| 9017851 | GUARD, SPLASH [OPTIONAL] |
| MEVR00039 | FUSE 20A, MAIN CARD |
| 897648 | FUSE 25A |
| 897510 | FUSE 30A |
| 1069835 | CORD, POWER, CHRGR, 120VAC [NA] |
| MECB02065 | CORD, POWER, CHRGR, 240VAC [ANZ] |

BRUSHES / PAD DRIVER AND PADS

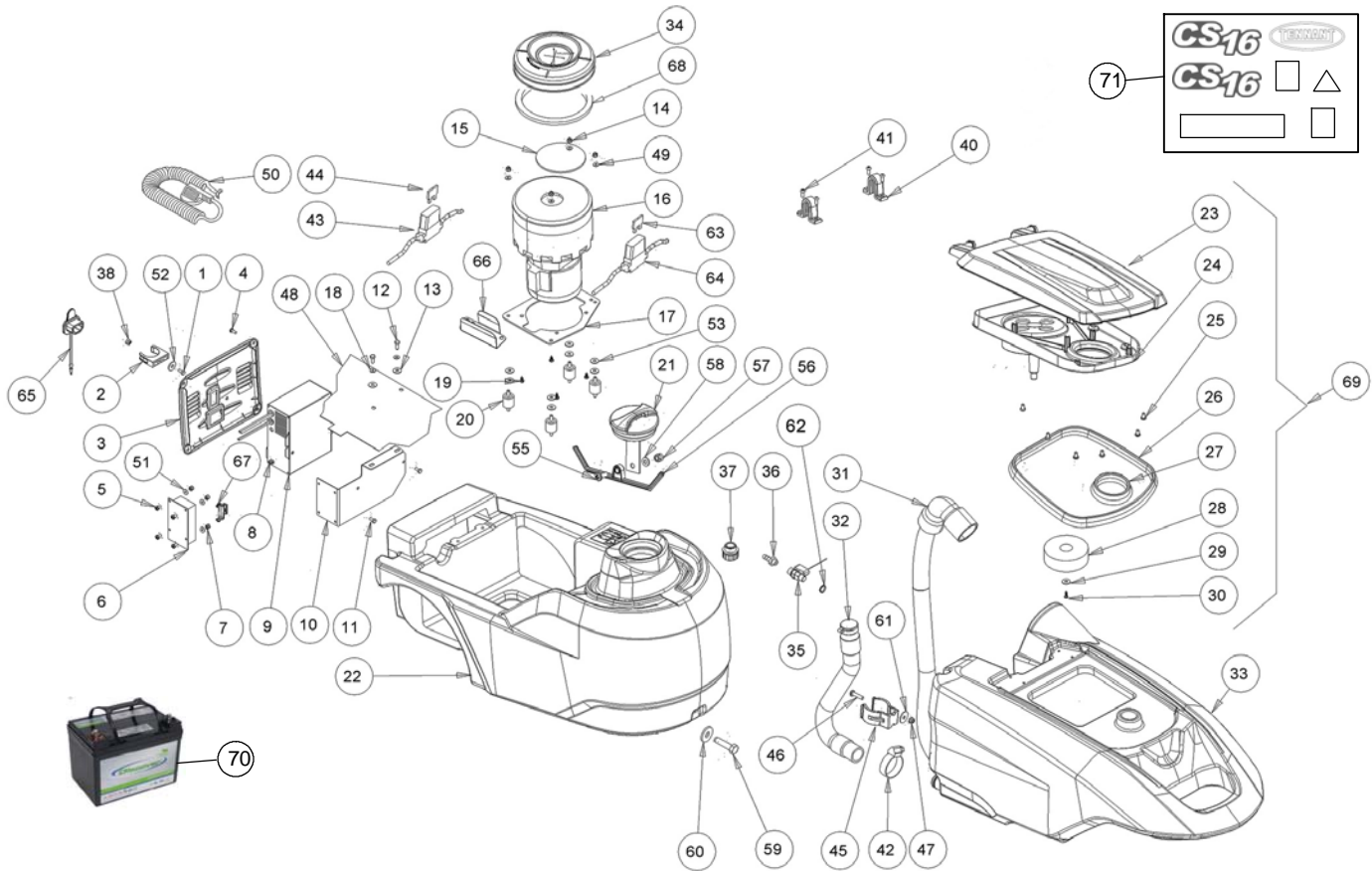


| Ref. | Part No. | Mfr. Date | Description | Qty. |
|------|-----------|-----------|--|------|
| 1 | SPPV02656 | () | BRUSH ASSY, DISK, SCB, 35CM, 3- LUG,PYP | 1 |
| 1 | SPPV02657 | () | BRUSH ASSY,DISK,SCB,35CM,3- LUG, PYP,SOFT | 1 |
| 1 | SPPV02659 | () | BRUSH ASSY, DISK,ABR, 35CM,3- LUG,120 GRIT | 1 |
| 2 | SPPV02664 | () | DRIVER ASSY, PAD, 35CM, 3- LUG | 1 |
| 3 | 1243656* | () | PAD, BUFF, 14.0D, RED [QTY 5] | 1 |
| 3 | 1243344* | () | PAD, SCRUB, 14.0D, BLUE [QTY 5] | 1 |
| 3 | 1243657* | () | PAD, STRIP, 14.0D, BROWN [QTY 5] | 1 |
| 3 | 1243343* | () | PAD, POLISH, 14.0D, WHITE [QTY 5] | 1 |
| 3 | 1240389* | () | PAD, POLISH, 14.0D, YELLOW [QTY 5] | 1 |
| 4 | MPVR04088 | () | LOCK, CENTER, PAD DRIVER | 1 |
| 5 | 9017851 | () | GUARD, SPLASH [OPTION] | 1 |

* North America Market

PARTS LIST

TANK AND BATTERY CHARGER GROUP



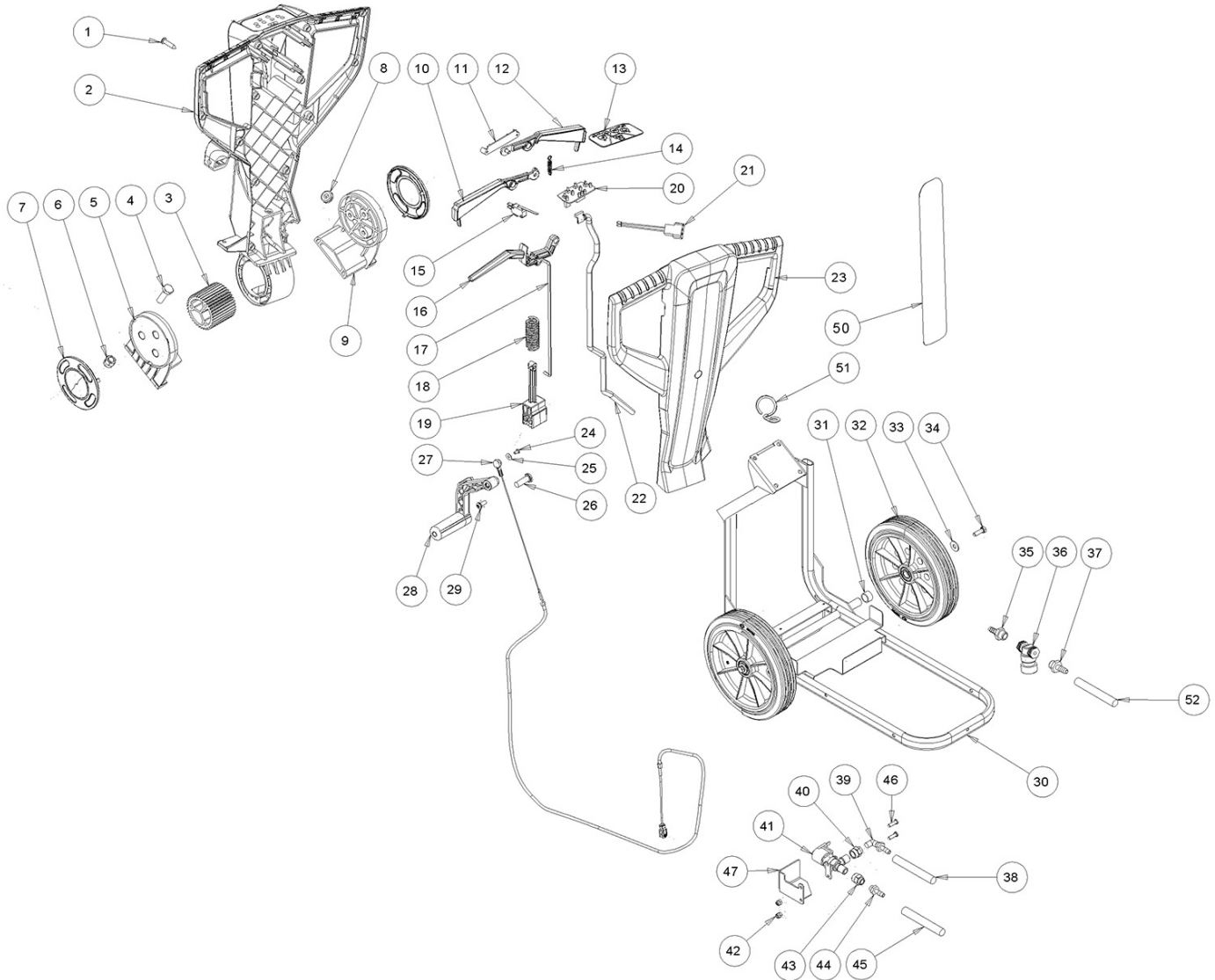
| Ref. | Part No. | Mfr. Date | Description | Qty. |
|------|-----------|-----------|-----------------------------------|------|
| 1 | 897359 | () | SCREW, TCTC, M4X16, ACCIAIO, INOX | 1 |
| 2 | 897245 | () | CLIP | 1 |
| 3 | 897558 | () | CHARGER, BATTERY, COVER | 1 |
| 4 | 897559 | () | SCREW TBCE ISO 7380 5X12 | 4 |
| 5 | 897564 | () | SCREW, TE, M4X10, ZC., UNI5739 | 4 |
| 6 | MECE00827 | () | BOARD, POWER | 1 |
| 7 | VTDD04368 | () | NUT, M4, ZIN, UNI5588 | 4 |
| 8 | VTDD04369 | () | NUT M 4 TEF UNI 7473 | 2 |
| 9 | BACA00254 | () | CHARGER, BATTERY, CBHD1, 24V 5A | 1 |
| 10 | 897563 | () | PLATE | 1 |
| 11 | 897564 | () | SCREW, TE, M4X10, ZC., UNI5739 | 2 |
| 12 | 897565 | () | SCREW TE M 5X 10 UNI 5739 | 2 |
| 13 | 897384 | () | WASHER D. 5X14 INX | 2 |
| 14 | 897497 | () | NUT, M5, INOX | 4 |
| 15 | 897649 | () | FILTER, MOTOR, VACFAN, d78 | 1 |
| 16 | 897566 | () | MOTOR, VACUUM | 1 |
| 16 | 9017687 | () | - CARBON BRUSH, MOTOR, VAC FAN | 2 |
| 17 | 897567 | () | PLATE | 1 |
| 18 | 897662 | () | WASHER D. 5 GRW | 2 |
| 19 | VTVT48694 | () | SCREW TCB TC 5 X12 UNI 9707 TZ | 4 |
| 20 | 897569 | () | VIBRATION, DAMP | 4 |
| 21 | 897570 | () | TANK, SOLUTION, CAP | 1 |
| 22 | 897663 | () | TANK, SOLUTION | 1 |

TANK AND BATTERY CHARGER GROUP

| Ref. | Part No. | Mfr. Date | Description | Qty. |
|------|-------------|-----------|-------------------------------------|------|
| 23 | 897664 | () | COVER | 1 |
| 24 | 897665 | () | COVER, INNER, LID, TANK | 1 |
| 25 | 897574 | () | SCREW SELF TAPPING 4.8X9.5 SUS | 8 |
| 26 | 9017840 | () | SEAL, COVER, RECVY TANK | 1 |
| 27 | 897666 | () | GASKET | 1 |
| 28 | 9017844 | () | FLOAT, SHUTOFF | 1 |
| 29 | 897576 | () | WASHER, M30X6X3 | 1 |
| 30 | VTVT48694 | () | SCREW TCB TC 5 X12 UNI 9707 TZ | 1 |
| 31 | 9017842 | () | HOSE ASSY, RECVY | 1 |
| 32 | 9017845 | () | HOSE ASSY, DRAIN | 1 |
| 33 | MPVR12899 | () | TANK RECOVERY TEAL | 1 |
| 34 | GUGO00599 | () | GASKET, MOTOR, VACUUM | 1 |
| 35 | 897578 | () | VALVE, A SFERA, MF, 1/8" | 1 |
| 36 | 897678 | () | CONNECTOR, 1/8" D.7 | 1 |
| 37 | 897176 | () | CAP 1/2" | 1 |
| 38 | 897160 | () | NUT, M4, INOX, ZN | 1 |
| 40 | 897668 | () | HINGE [416S] | 2 |
| 41 | 897669 | () | SCREW STS KN1031- Neu 4x16 - H2 | 4 |
| 42 | FSVR00002 | () | CLAMP ECOFLEX 9 23- 35 | 1 |
| 43 | 897580 | () | BATTERY, HOLDER, WIRING, FUSE | 1 |
| 44 | 897510 | () | FUSE 30A | 1 |
| 45 | 9017850 | () | CLIP, HOSE, RECVY | 1 |
| 46 | 897581 | () | SCREW | 2 |
| 47 | VTDD04369 | () | NUT M 4 TEF UNI 7473 | 2 |
| 48 | 897583 | () | PROTECTION | 1 |
| 49 | 897644 | () | WASHER D. 5 INX GRW UNI 1751 | 4 |
| 50 | 1069835 | () | CORD, POWER, CHRGR, 120VAC (NA) | 1 |
| 50 | MECB02065 | () | CORD, POWER, CHRGR, 240VAC (ANZ) | 1 |
| 51 | 897584 | () | WASHER, M4 | 4 |
| 52 | 897149 | () | WASHER 4- 16 INOX A2 | 1 |
| 53 | 897384 | () | WASHER D. 5X14 INX | 8 |
| 55 | VTVT15965 | () | SCREW, TCB- TC, M4X12, UNI7687, INX | 1 |
| 56 | 897587 | () | PLATE | 1 |
| 57 | 897276 | () | NUT M 4 ATB A2 | 1 |
| 58 | 897156 | () | WASHER D. 4 INX | 1 |
| 59 | 897588 | () | SCREW, TE, M5X35, UNI5739 | 1 |
| 60 | 897384 | () | WASHER D. 5X14 INX | 1 |
| 61 | 897589 | () | WASHER, UNI6592, M4X16, ZB | 2 |
| 62 | 897590 | () | O- RING, D. 6.75X1.78, NBR, 70SH | 1 |
| 63 | MEVR00039 | () | FUSE, 020A, MAIN CARD | 1 |
| 64 | MECB02074 | () | WIRING (NA) | 1 |
| 64 | 897647 | () | WIRING (ANZ) | 1 |
| 65 | 897591 | () | CAP, IEC | 1 |
| 66 | 897592 | () | BRACKET | 1 |
| 67 | MPVR12325 | () | CLIP, BLOCK, FLAT | 1 |
| 68 | FSVR00264 | () | CLAMP | 1 |
| 69 | KTRI05575 | () | LID ASSY, RECOVERY TANK | 1 |
| 70 | 9017854 | () | BATTERY, AGM, 12VDC, 29AH (NA) | 2 |
| 70 | L- EVU1A- A | () | BATTERY, AGM, 12VDC, 30AH (ANZ) | 2 |
| 70 | L- GF12025Y | () | BATTERY, GEL, 12VDC, 25AH (ANZ) | 2 |
| 71 | KTRI06255 | () | LABEL KIT, CS16 MACHINE | 1 |

PARTS LIST

HANDLE AND FRAME GROUP



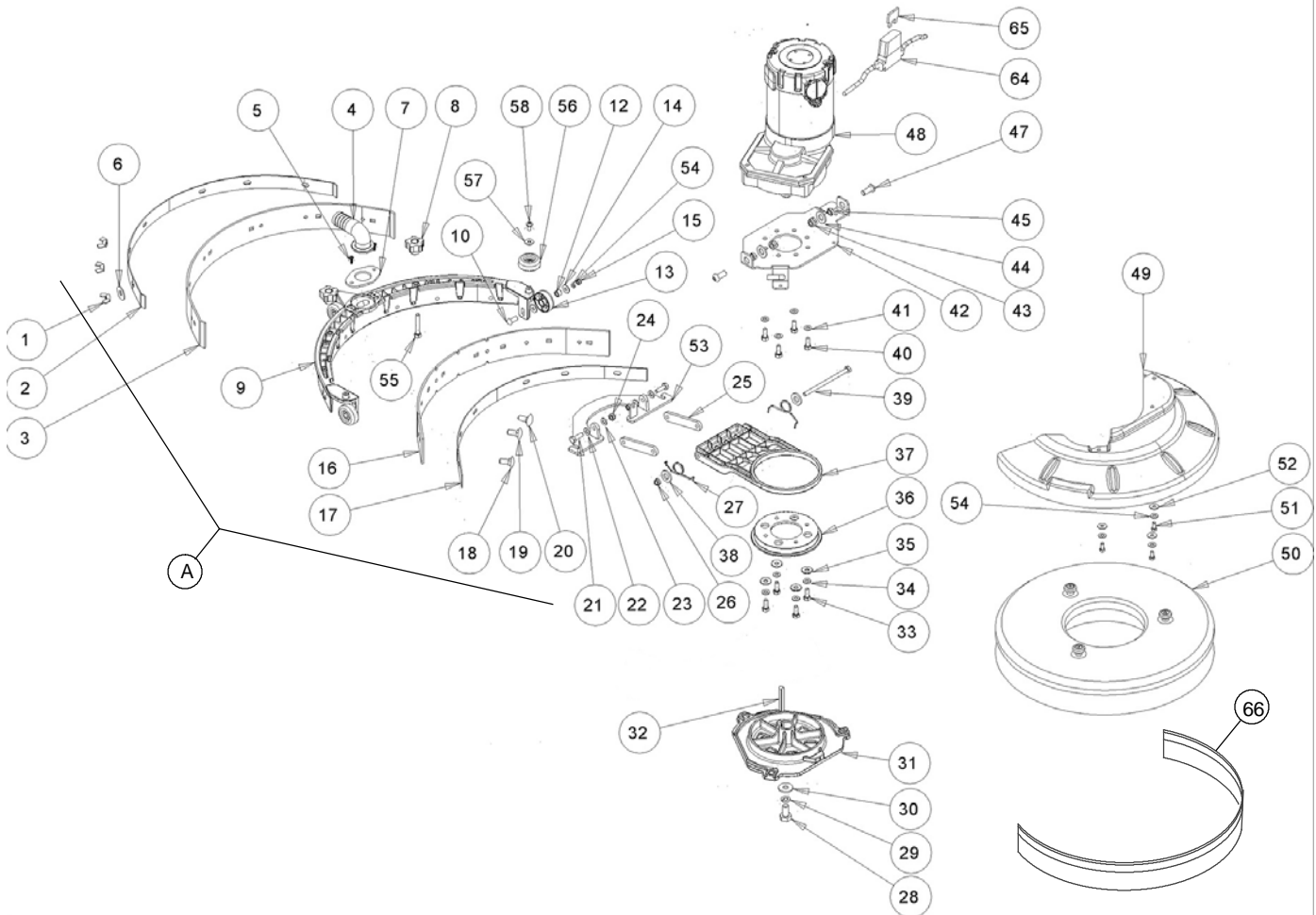
| Ref. | Part No. | Mfr. Date | Description | Qty. |
|------|-----------|-----------|----------------------------|------|
| 1 | 897593 | () | SCREW, M4,8X19 | 14 |
| 2 | 897670 | () | CRANKCASE | 1 |
| 3 | 897595 | () | GEAR | 1 |
| 4 | VTVT75724 | () | SCREW, HEX, M8 X 1.25 X 22 | 4 |
| 5 | 897597 | () | SHELL, DX | 1 |
| 6 | 897598 | () | NUT, M8, FLAT | 4 |
| 7 | 897599 | () | COVER | 2 |
| 8 | 897600 | () | FAIR, LEAD | 1 |
| 9 | 897601 | () | SHELL, SX | 1 |
| 10 | 897671 | () | LEVER, DX | 1 |
| 11 | 897603 | () | CARD,SUPPORT, ELECTRONIC | 1 |
| 12 | 897672 | () | LEVER, SX | 1 |
| 13 | 897673 | () | LABEL, DASHBOARD [416S] | 1 |
| 14 | 897606 | () | SPRING | 1 |
| 15 | 9017689 | () | SWITCH, HANDLE | 1 |
| 16 | 897674 | () | LEVER, ADJUSTMENT | 1 |
| 17 | KTRI02273 | () | KIT HANDLE ADJUST ROD | 1 |
| 18 | 897608 | () | SPRING | 1 |

HANDLE AND FRAME GROUP

| Ref. | Part No. | Mfr. Date | Description | Qty. |
|------|-----------|-----------|---|------|
| 19 | 897609 | () | HANDLE, SUPPORT | 1 |
| 20 | 897610 | () | ASSY, CIRCUITBOARD [416S] | 1 |
| 21 | 897611 | () | BOTTON, PUSH, WIRING | 1 |
| 22 | 897612 | () | CABLE, RIBBON, FLAT | 1 |
| 23 | 897675 | () | CRANKCASE, HANDLE, FRONT | 1 |
| 24 | 897150 | () | SCREW, TC, M4X12, ZN | 1 |
| 25 | 897149 | () | WASHER 4- 16 INOX A2 | 1 |
| 26 | 897614 | () | PIN | 1 |
| 27 | 9017846 | () | CABLE, LIFT, SQGE | 1 |
| 28 | 9017688 | () | LEVER, LIFT, SQGE | 1 |
| 29 | 897615 | () | SCREW, TC, M6X12 | 1 |
| 30 | 897616 | () | FRAME | 1 |
| 31 | 897617 | () | BUSHING | 2 |
| 32 | 897618 | () | WHEEL, GRAY, D.250 | 2 |
| 33 | 897619 | () | WASHER, D.8X24, ZC | 2 |
| 34 | 897676 | () | SCREW TE 8X16 UNI5739 | 2 |
| 35 | 897677 | () | CONNECTOR | 1 |
| 36 | 9018511 | () | FILTER, WATER, COMPL | 1 |
| 37 | 897677 | () | CONNECTOR | 1 |
| 38 | TBBP00732 | () | TUBE CRISTALLO 6X9 L=240 mm | 1 |
| 39 | 897678 | () | CONNECTOR, 1/8" D.7 | 1 |
| 40 | 897679 | () | CONNECTOR | 1 |
| 41 | 9017847 | () | VALVE, WATER, SOLENOID, 24VDC | 1 |
| 42 | 897276 | () | NUT M 4 ATB A2 | 2 |
| 43 | 897679 | () | CONNECTOR | 1 |
| 44 | 897678 | () | CONNECTOR, 1/8" D.7 | 1 |
| 45 | TBBP00733 | () | TUBE CRISTALLO 6X9 L=445 mm | 1 |
| 46 | 897359 | () | SCREW, TCTC, M4X16, ACCIAIO, INOX | 2 |
| 47 | 897623 | () | SOLENOIDE, VALVE, PROTECTION | 1 |
| 50 | N/A | () | LABEL, HANDLE, TEAL (order label kit KTRI06255) | 1 |
| 51 | 897625 | () | HOOK | 1 |
| 52 | TBBP00731 | () | TUBE CRISTALLO 6X9 L=335 mm | 1 |

PARTS LIST

SQUEEGEE ASSEMBLY AND BRUSH DRIVE GROUP



| Ref. | Part No. | Mfr. Date | Description | Qty. |
|------|-----------|-----------|--|------|
| A | PMVR06994 | () | SQUEEGEE ASSY KIT, LINATEX BLADES (includes items 1-20, 54-58) | 1 |
| A | 9017852 | () | SQUEEGEE ASSY KIT, LATEX BLADES (includes items 1-20, 54-58) | 1 |
| 1 | 897626 | () | NUT, M5 | 6 |
| 2 | 897627 | () | BRACKET | 1 |
| 3 | 9017830 | () | BLADE, SQGE, REAR, 596L, LINATEX [STANDARD] | 1 |
| 3 | 9017827 | () | BLADE, SQGE, REAR, 596L, LATEX [OPTION] | 1 |
| 3 | 9017832 | () | BLADE KIT, SQGE, REAR & FRONT, PYU [OPTION] | 1 |
| 4 | 897628 | () | FITTING, CONNECTOR, ELBOW | 1 |
| 5 | VTVT48694 | () | SCREW TCB TC 5 X12 UNI 9707 TZ | 2 |
| 6 | 897384 | () | WASHER D. 5X14 INX | 6 |
| 7 | 897629 | () | FLANGE | 1 |
| 8 | 897630 | () | KNOB, SMALL | 2 |
| 9 | 897631 | () | FLOOR, WIPER, YELLOW, RAL1021 | 1 |
| 10 | 897632 | () | SCREW, M5X20 | 3 |
| 12 | 897633 | () | BUSHING | 3 |
| 13 | 9017848 | () | WHEEL, SQGE | 3 |
| 14 | 897384 | () | WASHER D. 5X14 INX | 6 |
| 15 | 897497 | () | NUT, M5, INOX | 3 |
| 16 | 9017829 | () | BLADE, SQGE, FRONT, 536L, LINATEX [STANDARD] | 1 |
| 16 | 9017826 | () | BLADE, SQGE, FRONT, 536L, LATEX [OPTION] | 1 |
| 16 | 9017832 | () | BLADE KIT, SQGE, REAR & FRONT, PYU [OPTION] | 1 |
| 17 | 897634 | () | BRACKET | 1 |
| 18 | 897635 | () | SCREW M5x25 | 2 |

SQUEEGEE ASSEMBLY AND BRUSH DRIVE GROUP

| Ref. | Part No. | Mfr. Date | Description | Qty. |
|------|-----------|-----------|--|------|
| 19 | 897681 | () | SCREW, M5X35 | 2 |
| 20 | 897681 | () | SCREW, M5X35 | 2 |
| 21 | 897287 | () | SCREW TE 6X20 UNI5739 INX | 2 |
| 22 | 897106 | () | WASHER D.6 UNI 6592 INOX | 2 |
| 23 | 897106 | () | WASHER D.6 UNI 6592 INOX | 2 |
| 24 | 897138 | () | NUT M6 INOX | 2 |
| 25 | 897636 | () | ARM | 2 |
| 26 | 897138 | () | NUT M6 INOX | 1 |
| 27 | 9017849 | () | SPRING, SQGE | 2 |
| 28 | 897316 | () | SCREW, TE, M8X20, UNI5739, INOX | 1 |
| 29 | 897216 | () | WASHER, D. 8, GRW, UNI1751, INOX | 1 |
| 30 | 897120 | () | WASHER, D.8X24, UNI6593, INOX | 1 |
| 31 | KTRI06334 | () | HUB KIT, DRIVE, BRUSH, DISK | 1 |
| 32 | VTVR16617 | () | WEDGE 6X 6X30 UNI 6604 | 1 |
| 33 | 897287 | () | SCREW TE 6X20 UNI5739 INX | 4 |
| 34 | 897129 | () | WASHER D. 6 INX GRW UNI 1751 | 4 |
| 35 | 897112 | () | WASHER D. 6X18 INX UNI 6593 | 4 |
| 36 | 897637 | () | BRACKET | 1 |
| 37 | 897638 | () | BODY, SIDE, SX | 1 |
| 38 | 897112 | () | WASHER D. 6X18 INX UNI 6593 | 2 |
| 39 | 897639 | () | SCREW, M6X140 | 1 |
| 40 | 897130 | () | SCREW, TE, M6X12, UNI5739, A2 | 4 |
| 41 | 897129 | () | WASHER D. 6 INX GRW UNI 1751 | 4 |
| 42 | 897640 | () | PLATE | 1 |
| 43 | 897124 | () | NUT, M8, INOX | 2 |
| 44 | 897152 | () | WASHER, D.8, UNI6592, INOX | 2 |
| 45 | 897641 | () | BUSHING | 2 |
| 47 | 897246 | () | SCREW, TE, M8X30, UNI5739, INOX | 2 |
| 48 | 897642 | () | MOTOR, BRUSH, 24V | 1 |
| 48 | 9017686 | () | - CARBON BRUSH KIT, BRUSH MOTOR [4PC] | 4 |
| 49 | 9018330 | () | COVER, BRUSH | 1 |
| 50 | SPPV02656 | () | BRUSH ASSY, DISK, SCB, 35CM, 3- LUG, PYP | 1 |
| 50 | SPPV02664 | () | DRIVER ASSY, PAD, 35CM, 3- LUG | 1 |
| 51 | 897459 | () | SCREW, M5X12, TE, INOX | 3 |
| 52 | 897384 | () | WASHER D. 5X14 INX | 3 |
| 53 | 897643 | () | SUPPORT | 1 |
| 54 | 897644 | () | WASHER D. 5 INX GRW UNI 1751 | 3 |
| 55 | 897115 | () | SCREW, M6X55, SS | 2 |
| 56 | 9017848 | () | WHEEL, SQGE | 2 |
| 57 | 897384 | () | WASHER D. 5X14 INX | 2 |
| 58 | VTVT48694 | () | SCREW TCB TC 5 X12 UNI 9707 TZ | 2 |
| 64 | 897647 | () | WIRING | 1 |
| 65 | 897648 | () | FUSE, 25A | 1 |
| 66 | 9017851 | () | GUARD, SPLASH [OPTION] | 1 |

ELECTRICAL DIAGRAM

