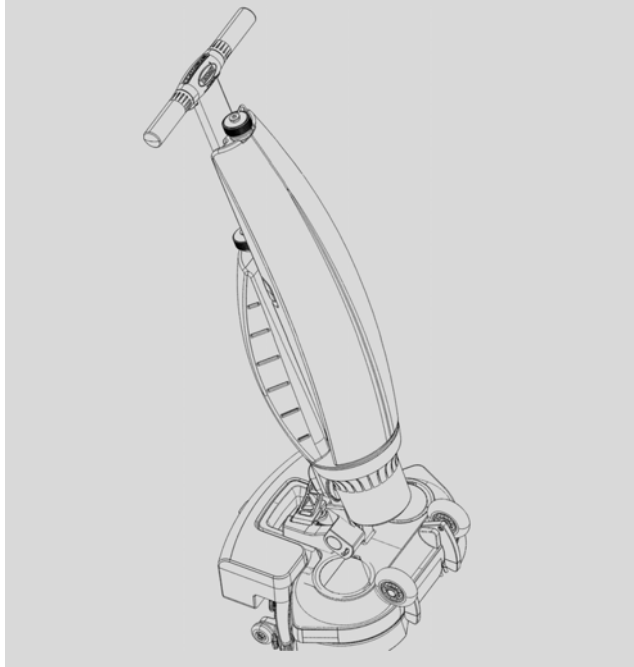
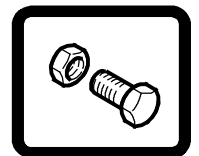




i-mop[®] Lite

WALK-BEHIND FLOOR SCRUBBER

Parts Manual



Model Part No.:

- 1263271 - i-mop Lite w/ charger & battery [N. America]
- 9022310 - i-mop Lite w/ charger & 2 batteries [N. America]
- 1267978 - i-mop Lite w/ charger & battery [Europe]
- 1267982 - i-mop Lite w/ charger & battery [Brazil]

Global

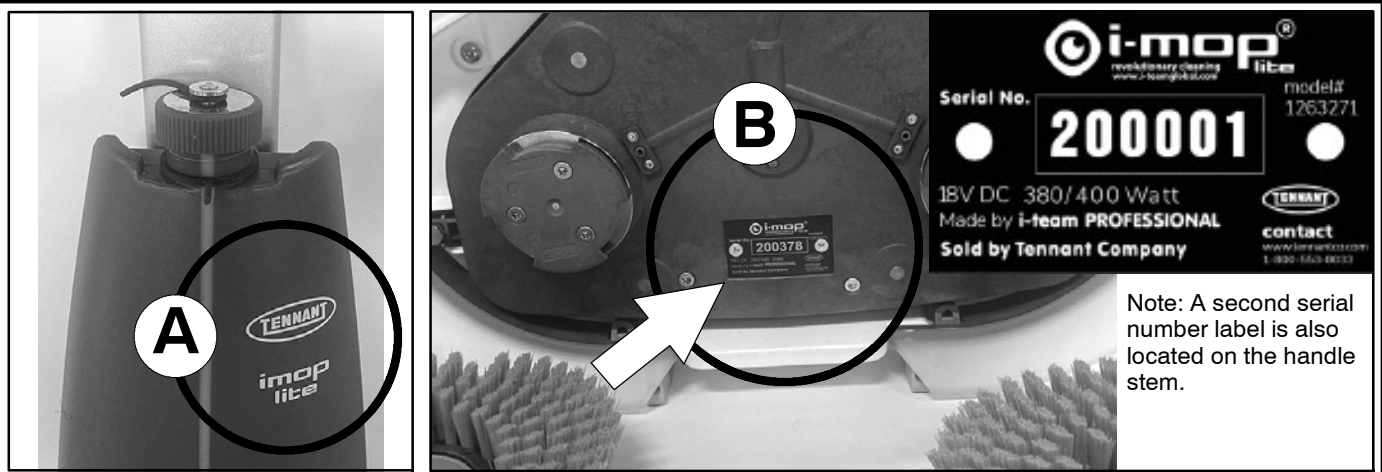


For the latest Parts manuals and other language Operator manuals, visit:

www.tennantco.com/manuals

9022382
Rev. 02 (03-2024)





Note: A second serial number label is also located on the handle stem.

Ref	Part No.	Serial Number	Description	Qty.
1	82681	(000000-)	Bracket Wldt, Lpg Mount	1
▽ 2	63810	(000000-)	Latch Assy, Lpg Tank Mtg, W/Nut	4
▲ 3	51839	(000000-)	Nut Adjustable, Lpg Tank Mtg	2
4	49263	(000000-)	Tie, Cable	3
(D)	82556	(000000- 001039)	Bracket, Vaporizer	1
	54930	(000000-)	Vaporizer, LPG	1

HOW TO ORDER PARTS - See diagram above

Only use TENNANT Company supplied or equivalent parts. Parts and supplies may be ordered online, by phone, by fax or by mail.

Follow the steps below to ensure prompt delivery.

1. (A) Identify the machine model.
2. (B) Identify the machine serial number from the data label.
3. (C) Ensure the proper serial number is used from the parts list.
4. Identify the part number and quantity. Do not order by page or reference numbers.
5. Provide your name, company name, customer ID number, billing and shipping address, phone number and purchase order number.
6. Provide detail shipping instructions.

(D) ▽ - identifies an assembly
 ▲ - identifies parts included in assembly

Please fill out at time of installation for future reference.

Model No. - _____

Serial No. - _____

Machine Options - _____

Sales Rep. - _____

Sales Rep. phone no. - _____

Customer ID Number - _____

Installation Date - _____

Tennant Company
 10400 Clean Street
 Eden Prairie, MN 55344-2650 USA
 Phone: (800) 553- 8033
 www.tennantco.com

Tennant Company N.V.
 Industrielaan 6 5405 AB
 P.O. Box 6 5400 AA
 Uden- The Netherlands
 europe@tennantco.com
 www.tennantco.com

STANDARD PARTS

GENERAL RECOMMENDED MAINTENANCE
ITEMS 4

BRUSH/PAD DRIVER ASSEMBLY AND PADS .. 5

HANDLE ASSEMBLY 6

HANDLE ASSEMBLY - CONT'D 8

VACCUM MOTOR ASSEMBLY 10

CLEAN WATER TANK ASSEMBLY 12

DIRTY WATER TANK ASSEMBLY 14

SCRUB HEAD ASSEMBLY 16

SCRUB HEAD ASSEMBLY - Cont'd 18

SUPPORT SYSTEM ASSEMBLY 20

SQUEEGEE ASSEMBLY 22

FLOOR UNIT ASSEMBLY 24

FLOOR UNIT PCB AND SOLENOID
ASSEMBLY 26

BATTERY AND CHARGER 28

ELECTRICAL DIAGRAM 29

RECOMMENDED SPARE PARTS LIST

GENERAL RECOMMENDED MAINTENANCE ITEMS

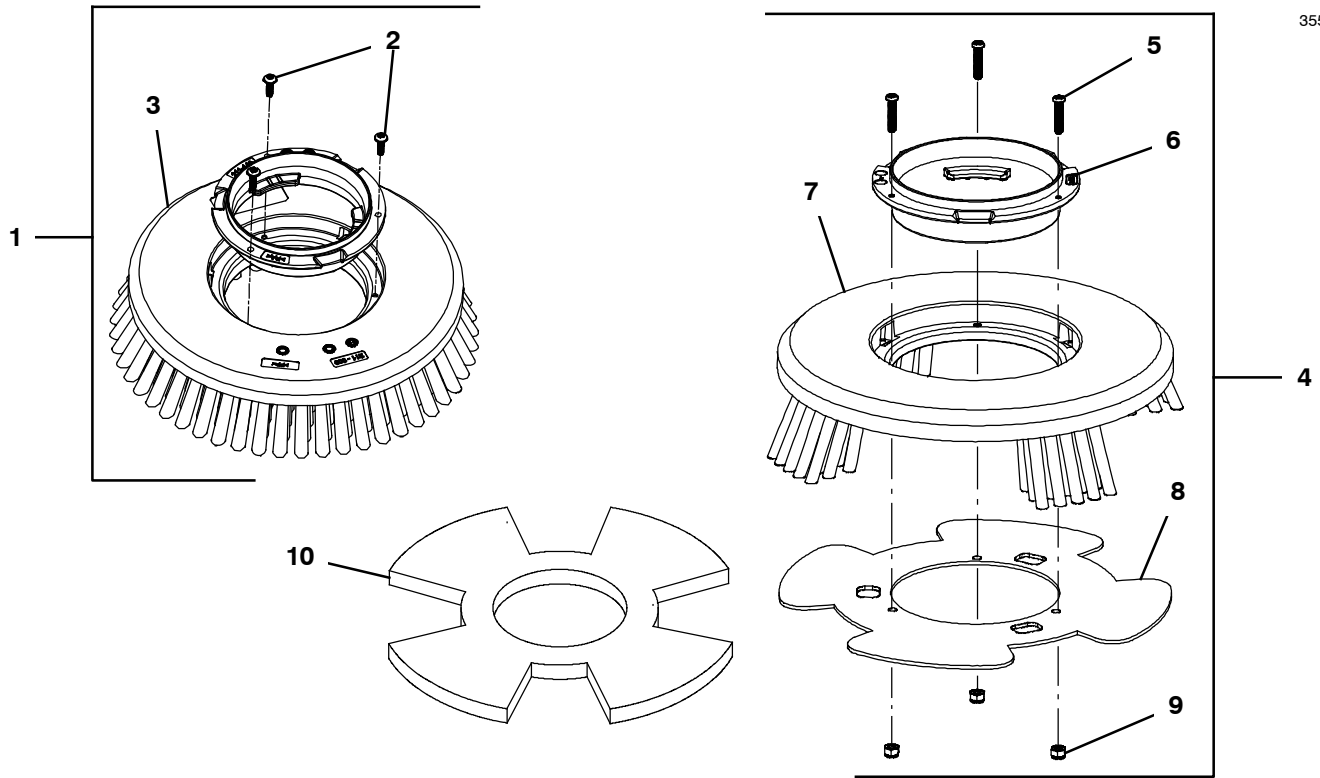
Ref.	Part No.	Serial Number	Description	Qty.
	1263460	()	Pad, Driver, 7 [Lite Qty 2]	1
	1263463	()	Brush, Lt Blue, Soft, 7 [Lite Qty 2]	1
	1263462	()	Brush, Blue, Med, 7 [Lite Qty 2]	1
	1263461	()	Brush, Red, Hard, 7 [Lite Qty 2]	1
	1263455	()	Pad, Blck, Aggressive, 7 [Lite Qty 2]	1
	1263456	()	Pad, Red, Regular, 7 [Lite Qty 2]	1
	1263457	()	Pad, White, Buffing, 7 [Lite Qty 2]	1
	1263458	()	Pad, Grn, Aggressive, 7 [Lite Qty 2]	1
	1263459	()	Pad, Blue, Heavy, 7 [Lite Qty 2]	1
	1263475	()	Pad, Blk, Aggressive, 7 [Lite Qty 10]	1
	1263476	()	Pad, Red, Regular, 7 [Lite Qty 10]	1
	1263477	()	Pad, White, Buffing, 7 [Lite Qty 10]	1
	1263478	()	Pad, Grn, Aggressive, 7 [Lite Qty 10]	1
	1263479	()	Pad, Blue, Heavy, 7 [Lite Qty 10]	1
▽	1264738	()	Blade, Sqge, Assy [I- Mop Lite]	1
▲	1264739	()	Caster Assy, Squeegee [Set Of 3, Lite]	3
▲	1264740	()	Knob Kit, Retainer, Sqge [Qty 6, Lite]	1
▲	1263467	()	Squeegee, Rear, Linatex [Lite Qty 1] (Standard)	1
▲	1263466	()	Squeegee, Front, Linatex [Lite Qty 1] (Standard)	1
	1263464	()	Squeegee, Front, Primo Airo [Lite Qty 1] (Option)	1
	1263465	()	Squeegee, Rear, Primo [Lite Qty 1] (Option)	1
	1264747	()	Magnet, Tank Retainer Assy [I- Mop Lite]	2
	1264743	()	Connector, Hose, Assy [I- Mop Lite]	1
	1264744	()	Filter Assy, Ball Float [I- Mop Lite]	1
▽	1263473	()	Controller Assembly, [Lite Qty 1]	1
▲	1263474	()	Pcb, Controller, [I- Mop Lite]	1
	1264748	()	Hinge Bracket Assy [I- Mop Lite]	1
▽	1264754	()	Hose, Sqge Assy [I- Mop Lite]	1
▲	1264764	()	Hose, Squeegee [I- Mop Lite]	1
	1264745	()	Housing Assy, Vac Motor [I- Mop Lite]	1
	1264746	()	Motor, Vacuum [I- Mop Lite]	1
▽	1264752	()	Circuitboard/Solenoid Assy [I- Mop Lite]	1
▲	1263472	()	Pcb, Floor Unit, [Lite Qty 1]	1
▲	1264753	()	Solenoid Assy [I- Mop Lite]	1
	1264750	()	Magnet, Park Stop Assy [I- Mop Lite]	1
	1263469	()	Splash Guard Set, [Lite Qty 1]	1
	1264755	()	Caster, Transport Kit, Lh [I- Mop Lite]	1
	1264737	()	Caster, Transport Kit, Rh [I- Mop Lite]	1
	1263272	()	Battery, [I- Mop Lite]	1
	1263273	()	Charger, Batt, NA [I- Mop Lite] (N. America)	1
	1267985	()	Charger, Batt, Eu&Uk Plug [I- Mop Lite] (EMEA)	1
	1267989	()	Charger, Batt, Brazil [I- Mop Lite]	1
▽	1263470	()	Tank, Fresh Water, [Lite Qty 1]	1
▲	1232663	()	Cap Kit, Tank, Sol [Blue] (Standard)	1
	1232665	()	Cap Kit, Tank, Sol [Red] (Option)	1
	1232666	()	Cap Kit, Tank, Sol [Yellow] (Option)	1
	1232667	()	Cap Kit, Tank, Sol [Green] (Option)	1
▲	1264763	()	Filter Assy, Sol Tank [I- Mop Lite]	1
▽	1263471	()	Tank, Recovery, [Lite Qty 1]	1
▲	1232661	()	Cap Kit, Tank, Rec	1

▽ ASSEMBLY

▲ INCLUDED IN ASSEMBLY

BRUSH / PAD DRIVER ASSEMBLY AND PADS

355892



Ref.	Part No.	Serial Number	Description	Qty.
▽	1	1263463	() Brush, Lt Blue, Soft, 7 [Lite Qty 2]	1
▽	1	1263462	() Brush, Blue, Med, 7 [Lite Qty 2]	1
▽	1	1263461	() Brush, Red, Hard, 7 [Lite Qty 2]	1
▲	2	N/A	() Screw Wn 5451 50x14 Ejot Delta Pt	3
▲	3	N/A	() Brush Locker Blue (Standard)	2
	3	N/A	() Brush Locker Red (Option)	2
	3	N/A	() Brush Locker Yellow (Option)	2
	3	N/A	() Brush Locker Green (Option)	2
▽	4	1263460	() Pad, Driver, 7 [Lite Qty 2]	1
▲	5	N/A	() Screw, M3x14 Stainless	3
▲	6	N/A	() Brush Locker, Blue P312C	1
▲	7	N/A	() Pad Driver, Brush Blue 0.3PP Bristle	1
▲	8	N/A	() Disk, Pin Brush Flat	1
▲	9	N/A	() Nut, Nylon M3 Stainless	3
	10	1263455	() Pad, Blck, Aggressive, 7 [Lite Qty 2]	1
	10	1263456	() Pad, Red, Regular, 7 [Lite Qty 2]	1
	10	1263457	() Pad, White, Buffing, 7 [Lite Qty 2]	1
	10	1263458	() Pad, Grn, Aggressive, 7 [Lite Qty 2]	1
	10	1263459	() Pad, Blue, Heavy, 7 [Lite Qty 2]	1
	10	1263475	() Pad, Blk, Aggressive, 7 [Lite Qty 10]	1
	10	1263476	() Pad, Red, Regular, 7 [Lite Qty 10]	1
	10	1263477	() Pad, White, Buffing, 7 [Lite Qty 10]	1
	10	1263478	() Pad, Grn, Aggressive, 7 [Lite Qty 10]	1
	10	1263479	() Pad, Blue, Heavy, 7 [Lite Qty 10]	1

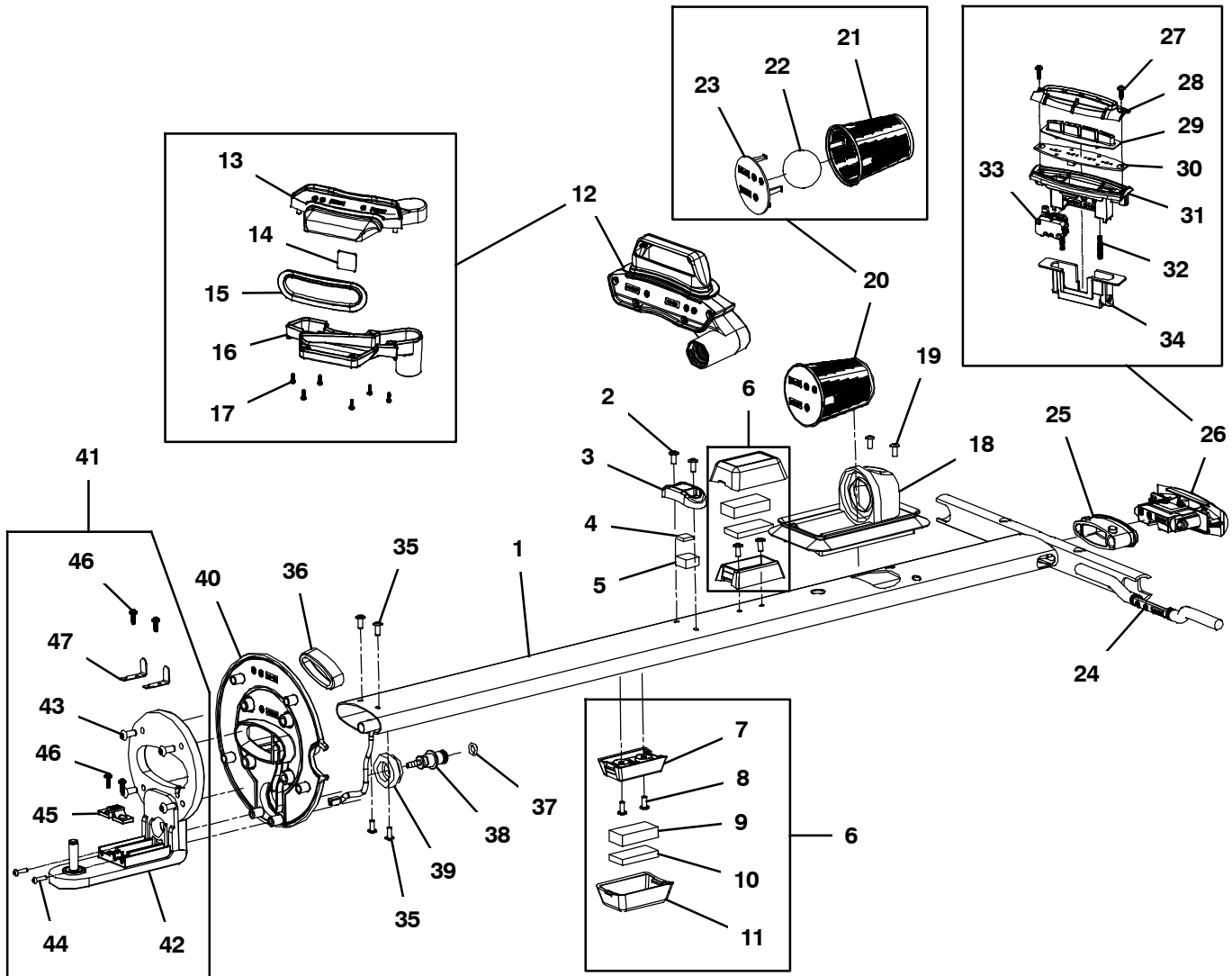
▽ ASSEMBLY

▲ INCLUDED IN ASSEMBLY

N/A = NOT AVAILABLE SEPARATELY - MUST ORDER ASSEMBLY (▽)

HANDLE ASSEMBLY

355895



HANDLE ASSEMBLY

Ref.	Part No.	Serial Number	Description	Qty.
1	N/A	()	Tube, Inlet	1
2	N/A	()	Rivet Closed 4x10	2
3	N/A	()	Hose Connector Fixation	1
4	N/A	()	Washer, Eva 15x15x1.5MM	1
5	N/A	()	Magnet Block Neodymium 15x15x8	1
▽	6	1264747	() Magnet, Tank Retainer Assy [I- Mop Lite]	2
▲	7	N/A	() Tank Holder Fixation Yellow	1
▲	8	N/A	() Rivet Closed 4x10	2
▲	9	N/A	() Magnet Block Neodymium 40x20x10	1
▲	10	N/A	() Washer, Eva 40x20x1.5MM	1
▲	11	N/A	() Tank Holder Cover Yellow	1
▽	12	1264743	() Connector, Hose, Assy [I- Mop Lite]	1
▲	13	N/A	() Holder Top Hose Connector Yellow	1
▲	14	N/A	() Holder Plate Hose Connector	1
▲	15	N/A	() Holder Seal Hose Connector	1
▲	16	N/A	() Holder Bottom Hose Connector Yellow	1
▲	17	N/A	() Screw Ejoy PT WN 5451 30x10	6
	18	N/A	() Float Holder Rubber	1
	19	N/A	() Screw ST 3x20	2
▽	20	1264744	() Filter Assy, Ball Float [I- Mop Lite]	1
▲	21	N/A	() Top Unit Float Housing Yellow	1
▲	22	N/A	() Ball Hollow White	1
▲	23	N/A	() Float Housing Bottom Yellow	1
	24	1265379	() Controller, Trigger [I- Mop Lite]	1
	25	N/A	() Tube Rubber	1
▽	26	1263473	() Controller Assembly, [Lite Qty 1]	1
▲	27	N/A	() Screw Ejoy PT WN 5451 30x10	2
▲	28	N/A	() Key Pad Frame Control Unit White	1
▲	29	N/A	() Key Pad Control Unit	1
▲	30	1263474	() Pcb, Controller, [I- Mop Lite]	1
▲	31	N/A	() PCB Frame Control Unit	1
▲	32	N/A	() Spring Compression 2.7x3.7x23.5	2
▲	33	N/A	() Power Switch Assy Control Unit	1
▲	34	N/A	() Handle Frame Control Unit	1
	35	N/A	() Rivet Closed 4x10	4
	36	N/A	() Adapter Seal Tube Main Grey	1
	37	N/A	() O Ring 6x3	1
	38	N/A	() Water Connector Male Pin	1
	39	N/A	() Water Connector Rubber Male	1
	40	N/A	() Adapter Tube Main Grey	1
▽	41	1264748	() Hinge Bracket Assy [I- Mop Lite]	1
▲	42	N/A	() Hinge Bracket Grey	1
▲	43	N/A	() Screw Cap Head Round M5x12	4
▲	44	N/A	() Screw Cap Head M3x12	2
▲	45	N/A	() Bracket Cover Hinge Grey	1
▲	46	N/A	() Screw Ejoy PT WN 5451 30x10	4
▲	47	N/A	() Vacuum Motor Electro Contact Large	2

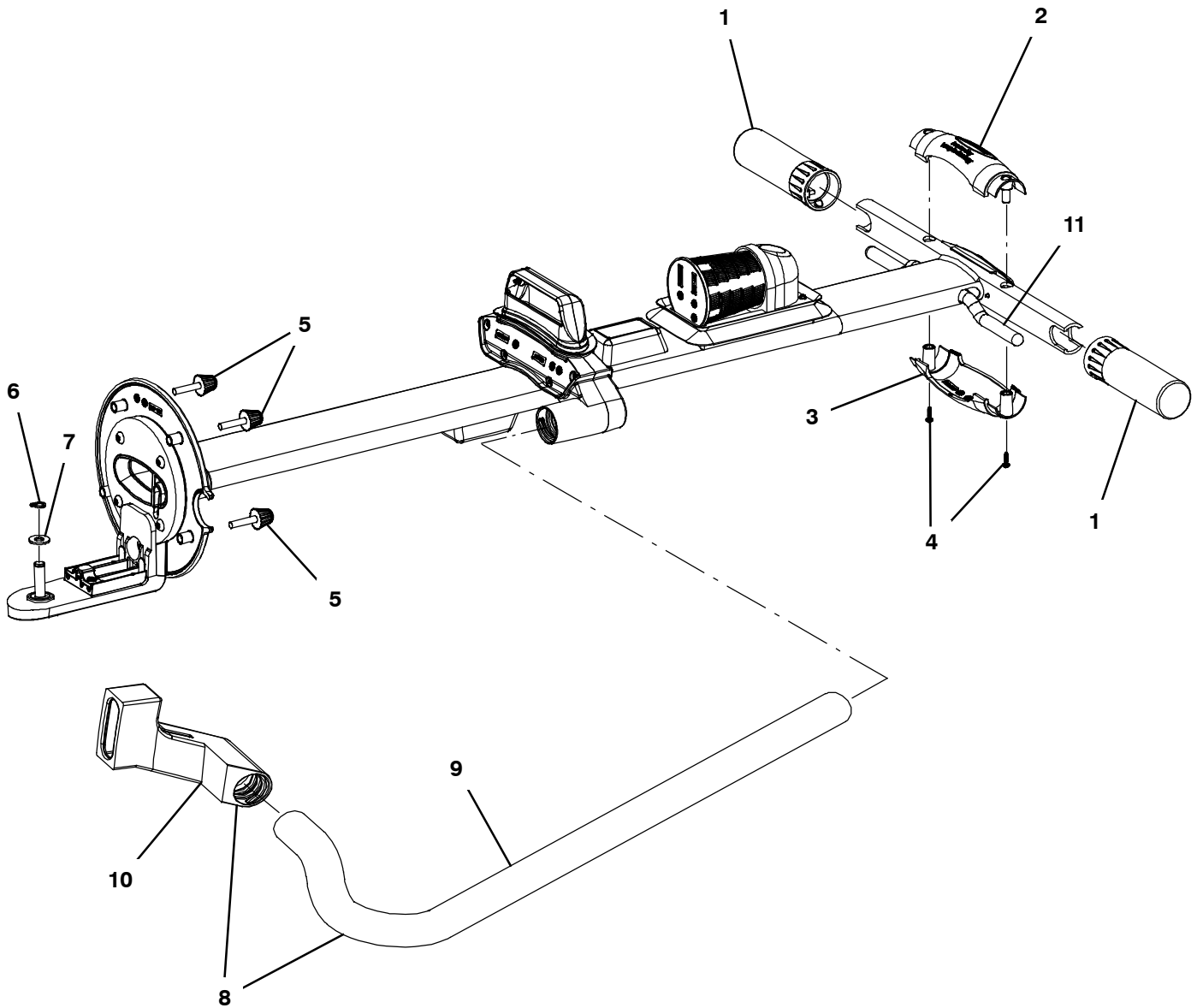
▽ ASSEMBLY

▲ INCLUDED IN ASSEMBLY

N/A = NOT AVAILABLE SEPARATELY - MUST ORDER ASSEMBLY (▽)

HANDLE ASSEMBLY - CONT'D

355896



HANDLE ASSEMBLY - CONT'D

Ref.	Part No.	Serial Number	Description	Qty.
1	1265380	()	Grip, Handle, [Qty 2 I- Mop Lite]	2
2	N/A	()	Cover Front Main Tube Tennant Teal	1
3	N/A	()	Cover Rear Main Tube Teal	1
4	N/A	()	Screw Ejot PT WN 5451 30x10	2
5	N/A	()	Fixation Feet Grey	4
6	N/A	()	Circlip External 8.0	1
7	N/A	()	Fixation Disk Main Hinge	1
▽	8	1264754	() Hose, Sqge Assy [I- Mop Lite]	1
▲	9	1264764	() Hose, Squeegee [I- Mop Lite]	1
▲	10	N/A	() Connector Squeegee Hose Floor Unit	1
11	1265379	()	Controller, Trigger [I- Mop Lite]	1

▽ ASSEMBLY

▲ INCLUDED IN ASSEMBLY

N/A = NOT AVAILABLE SEPARATELY - MUST ORDER ASSEMBLY (▽)

VACCUM MOTOR ASSEMBLY

	Ref.	Part No.	Serial Number	Description	Qty.
▽	1	1264745	()	Housing Assy, Vac Motor [I- Mop Lite]	1
▲	2	N/A	()	Screw Ejob 5451 40x14	4
▲	3	N/A	()	Motor Bracket Grey	1
▲	4	N/A	()	Motor Top Rubber	1
▲	5	N/A	()	Motor Electro Contact Block	1
▲	6	N/A	()	Motor Bottom Rubber	1
▲	7	N/A	()	Housing Bottom Vacuum Motor Grey	1
▽	8	1264746	()	Motor, Vacuum [I- Mop Lite]	1
▲	9	N/A	()	Vacuum Motor J24V 200W	2
▲	10	N/A	()	Carbon Brush	2
▲	11	N/A	()	Compression Spring 4.5x6.2x14	2
▲	12	N/A	()	Motor Electro Contact Small	2

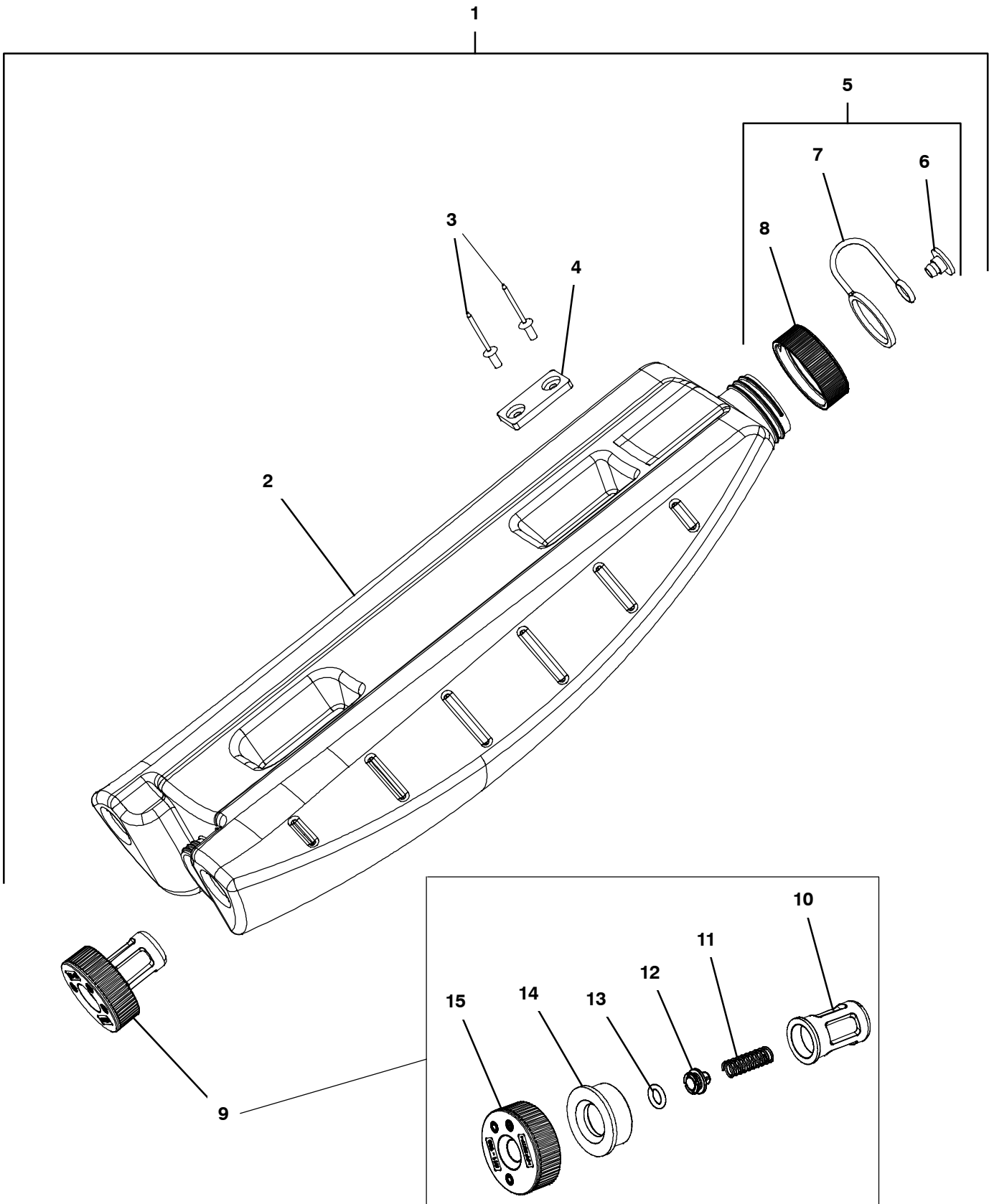
▽ ASSEMBLY

▲ INCLUDED IN ASSEMBLY

N/A = NOT AVAILABLE SEPARATELY - MUST ORDER ASSEMBLY (▽)

CLEAN WATER TANK ASSEMBLY

355893



CLEAN WATER TANK ASSEMBLY

	Ref.	Part No.	Serial Number	Description	Qty.
▽	1	1263470	()	Tank, Fresh Water, [Lite Qty 1]	1
▲	2	N/A	()	Tank Fresh Water Teal	1
▲	3	N/A	()	Rivet Closed 4x10	2
▲	4	N/A	()	Tank Holder Plate	1
▲▽	5	1232663	()	Cap Kit, Tank, Sol [Blue] (Standard)	1
	5	1232665	()	Cap Kit, Tank, Sol [Red] (Option)	1
	5	1232666	()	Cap Kit, Tank, Sol [Yellow] (Option)	1
	5	1232667	()	Cap Kit, Tank, Sol [Green] (Option)	1
▲▲	6	N/A	()	Sleeve Cap	1
▲▲	7	N/A	()	Cap Holder Strap	1
▲▲	8	N/A	()	Cap With Hole Teal	1
▲▽	9	1264763	()	Filter Assy, Sol Tank [I- Mop Lite]	1
▲▲	10	N/A	()	Water Connector Filter Female	1
▲▲	11	N/A	()	Compression Spring 7x9x28.5	1
▲▲	12	N/A	()	Water Connector Female Valve	1
▲▲	13	N/A	()	O- Ring 7x2.5	1
▲▲	14	N/A	()	Water Connector Female Rubber Gasket	1
▲▲	15	N/A	()	Water Connector Female	1

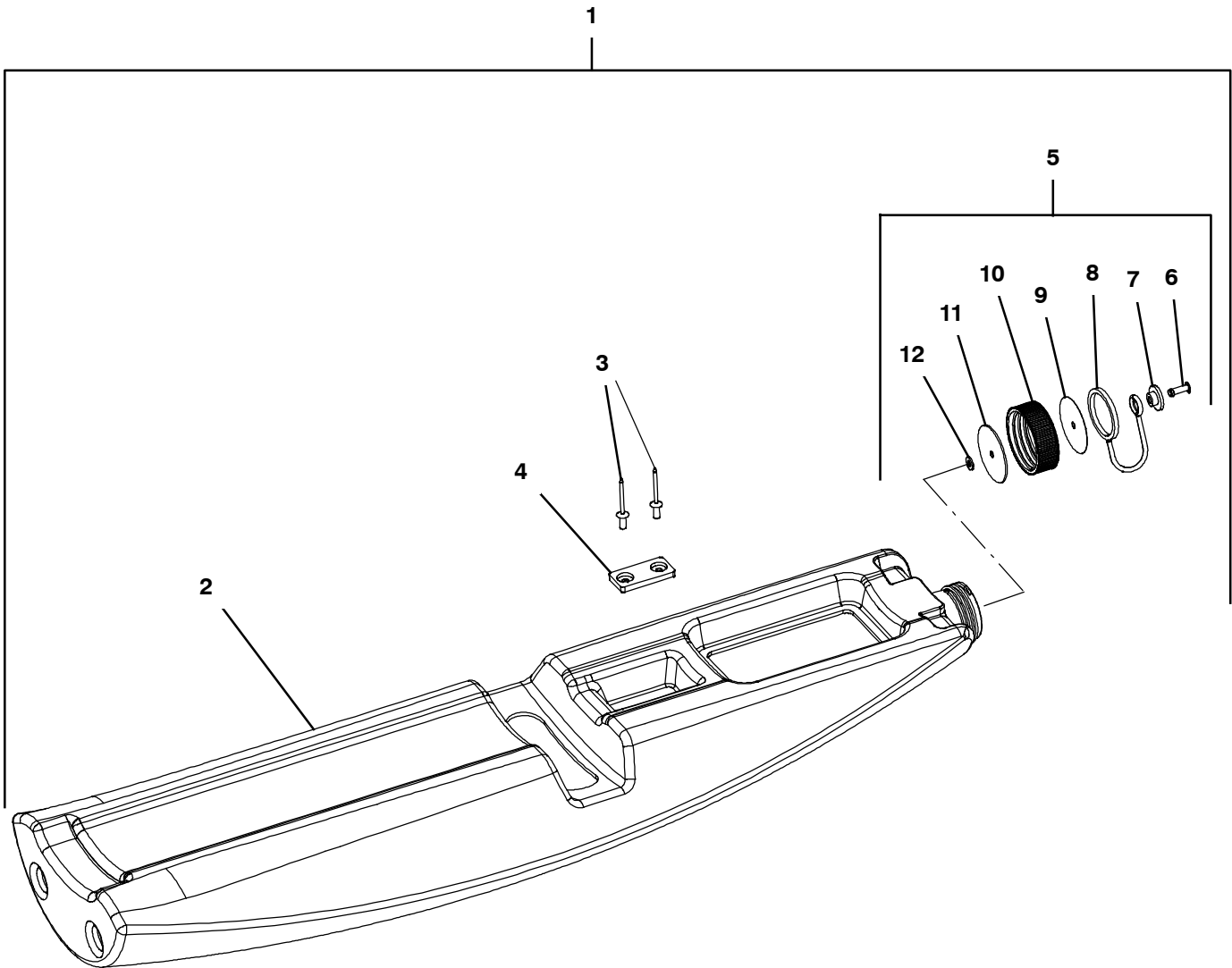
▽ ASSEMBLY

▲ INCLUDED IN ASSEMBLY

N/A = NOT AVAILABLE SEPARATELY - MUST ORDER ASSEMBLY (▽)

DIRTY WATER TANK ASSEMBLY

355894



DIRTY WATER TANK ASSEMBLY

	Ref.	Part No.	Serial Number	Description	Qty.
▽	1	1263471	()	Tank, Recovery, [Lite Qty 1]	1
▲	2	N/A	()	Tank Teal Antibacterial	1
▲	3	N/A	()	Closed Rivet 4 X 10	2
▲	4	N/A	()	Tank Holder Plate	1
▲▽	5	1232661	()	Cap Kit, Tank, Rec	1
▲▲	6	N/A	()	Blind Rivet Nail 4 x 15 MM	1
▲▲	7	N/A	()	Sleeve Cap Holder	1
▲▲	8	N/A	()	Cap Holder	1
▲▲	9	N/A	()	Warning Plate Dirty Tank Round Stainless Plate	1
▲▲	10	N/A	()	Cap Without Hole Grey	1
▲▲	11	N/A	()	Sealing Gasket Cap Dirty Tank	1
▲▲	12	N/A	()	Plastic Washer 9x4x1mm	1

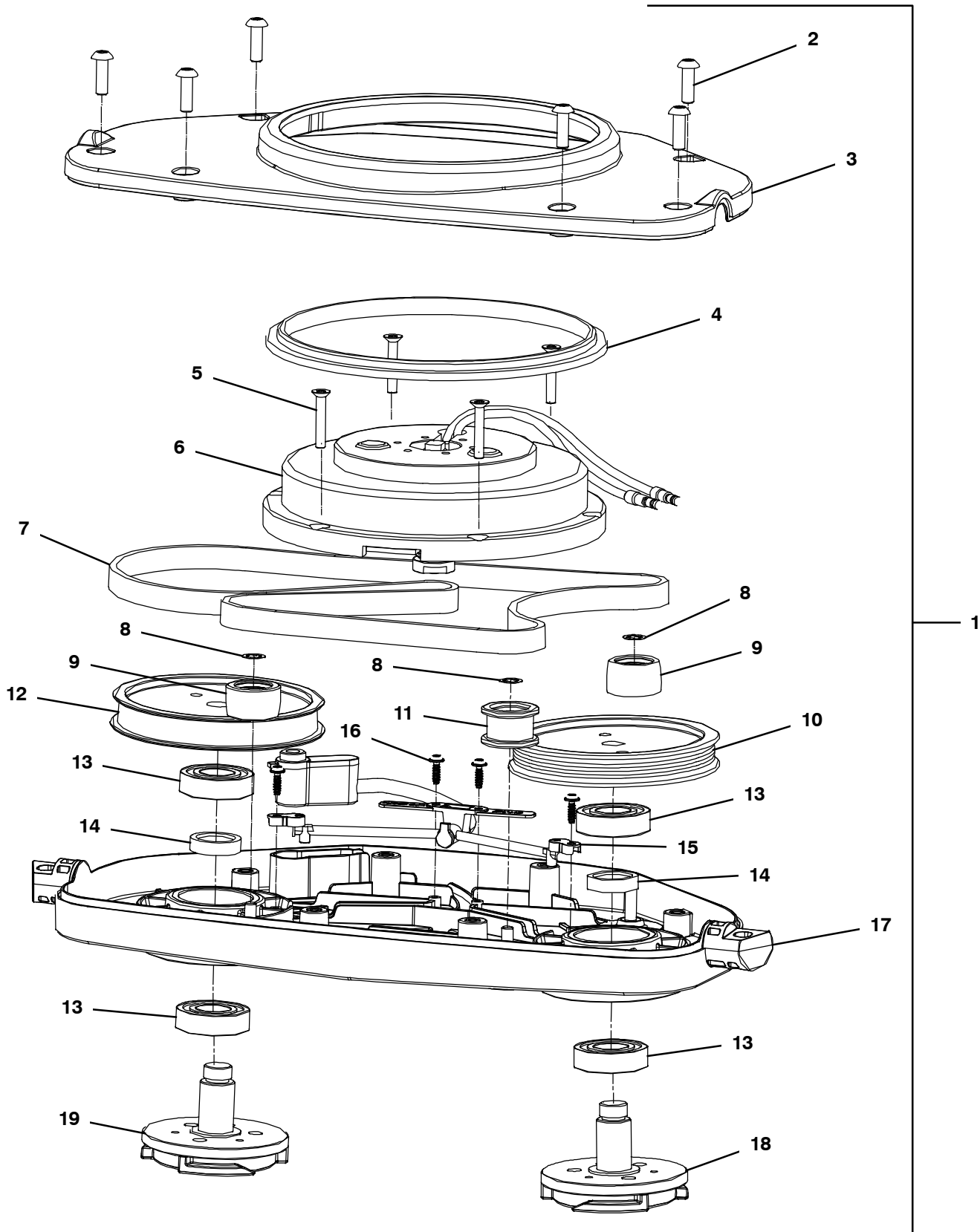
▽ ASSEMBLY

▲ INCLUDED IN ASSEMBLY

N/A = NOT AVAILABLE SEPARATELY - MUST ORDER ASSEMBLY (▽)

SCRUB HEAD ASSEMBLY

355897



SCRUB HEAD ASSEMBLY

	Ref.	Part No.	Serial Number	Description	Qty.
▽	1	1264741	()	Head, Scrbr Assy [I- Mop Lite]	1
▲	2	N/A	()	Round Head Cap Screw M5x16	6
▲	3	N/A	()	Drive Module Cover Grey	1
▲	4	N/A	()	Drive Motor Rubber	1
▲	5	N/A	()	Counter Sunk Bolt M4x25	4
▲	6	N/A	()	Drive Module Motor Assembly	2
▲	7	N/A	()	Drive Belt	1
▲	8	N/A	()	Self Locking Ring ZA 5	3
▲	9	N/A	()	Idler Pulley Complete Type C	2
▲	10	N/A	()	Drive Pulley CW	1
▲	11	N/A	()	Idler Pulley Assembly Type B	1
▲	12	N/A	()	Drive Pulley CCW	1
▲	13	N/A	()	Ball Bearing 6002 2Z	4
▲	14	N/A	()	Bearing Support Ring	2
▲	15	N/A	()	Water Distributor Assembly	1
▲	16	N/A	()	Screw Ejot PT Wn 5451 30x10	4
▲	17	N/A	()	Chassis Complete Grey	1
▲	18	1264760	()	Brush Coupling Assy, Lh [I- Mop Lite]	1
▲	19	1264761	()	Brush Coupling Assy, Rh [I- Mop Lite]	1

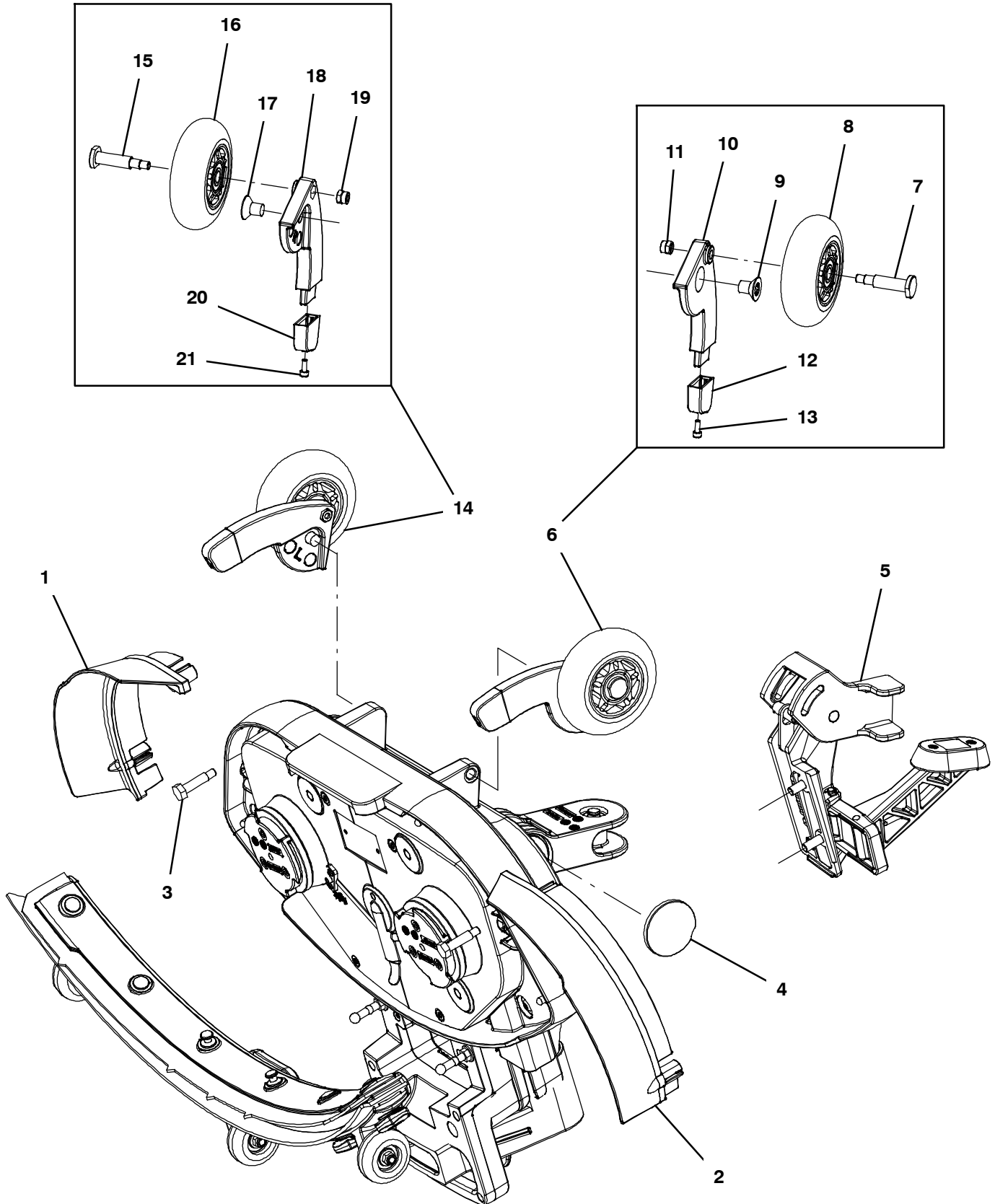
▽ ASSEMBLY

▲ INCLUDED IN ASSEMBLY

N/A = NOT AVAILABLE SEPARATELY - MUST ORDER ASSEMBLY (▽)

SCRUB HEAD ASSEMBLY - Cont'd

355900



SCRUB HEAD ASSEMBLY - Cont'd

	Ref.	Part No.	Serial Number	Description	Qty.
▽		1263469	()	Splash Guard Set, [Lite Qty 1]	1
▲	1	N/A	()	Splash Protection Right	1
▲	2	N/A	()	Splash Protection Left	1
	3	N/A	()	Drive Module Fixation Pin	2
	4	N/A	()	Main Hinge Cover	2
	5	1264742	()	Support, Stand Assy [I- Mop Lite]	1
▽	6	1264755	()	Caster, Transport Kit, Lh [I- Mop Lite]	1
▲	7	N/A	()	Bolt Transport Wheel	1
▲	8	N/A	()	Transport Wheel White	1
▲	9	N/A	()	Screw	1
▲	10	N/A	()	Transport Wheel Pillar Left	1
▲	11	N/A	()	Nut	1
▲	12	N/A	()	Transport Pillar Cap Left	1
▲	13	N/A	()	Screw Round Head Cap M3x8 Sus304	1
▽	14	1264737	()	Caster, Transport Kit, Rh [I- Mop Lite]	1
▲	15	N/A	()	Bolt Transport Wheel	1
▲	16	N/A	()	Transport Wheel White	1
▲	17	N/A	()	Screw	1
▲	18	N/A	()	Transport Wheel Pillar Right	1
▲	19	N/A	()	Nut	1
▲	20	N/A	()	Transport Pillar Cap Right	1
▲	21	N/A	()	Screw Round Head Cap M3x8 Sus304	1

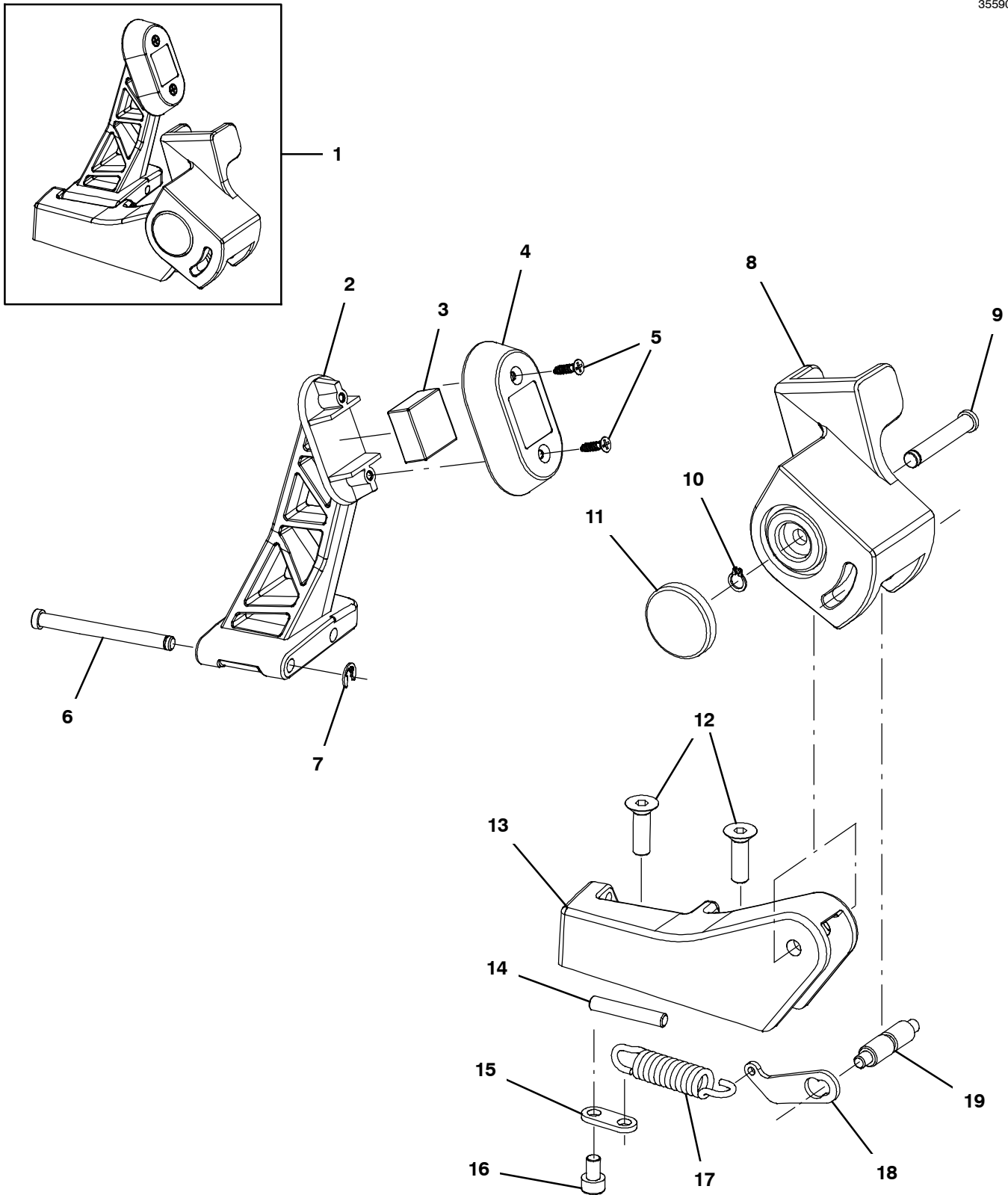
▽ ASSEMBLY

▲ INCLUDED IN ASSEMBLY

N/A = NOT AVAILABLE SEPARATELY - MUST ORDER ASSEMBLY (▽)

SUPPORT SYSTEM ASSEMBLY

355901



SUPPORT SYSTEM ASSEMBLY

	Ref.	Part No.	Serial Number	Description	Qty.
▽	1	1264742	()	Support, Stand Assy [I- Mop Lite]	1
▲	2	N/A	()	Support System Lever Assembly	1
▲	3	N/A	()	Magnet Top Unit Small 20x20x10MM	1
▲	4	N/A	()	Support System Cap Yellow	1
▲	5	N/A	()	Screw Counter Sunk ST3x10	2
▲	6	N/A	()	Bracket Shaft Pin	1
▲	7	N/A	()	Circlip External 4.0 GB/T	1
▲	8	N/A	()	Support System Holder Grey	1
▲	9	N/A	()	Holder Shaft Pin	1
▲	10	N/A	()	Circlip External 6.0 GB/T	1
▲	11	N/A	()	Support System Cover Painted Lt. Grey	1
▲	12	N/A	()	Screw Counter Sunk Head Cap M6x20 w/Nylok	2
▲	13	N/A	()	Support System Bracket Complete Grey	1
▲	14	N/A	()	Lever Axis	1
▲	15	N/A	()	Spring Support	1
▲	16	N/A	()	Bolt Hex Socket M5x8 GB/T Stainless Steel	1
▲	17	N/A	()	Spring Extension 2.20 X 48.0	1
▲	18	N/A	()	Bracket Spring Axis	1
▲	19	N/A	()	Axis Spring Assembly	1

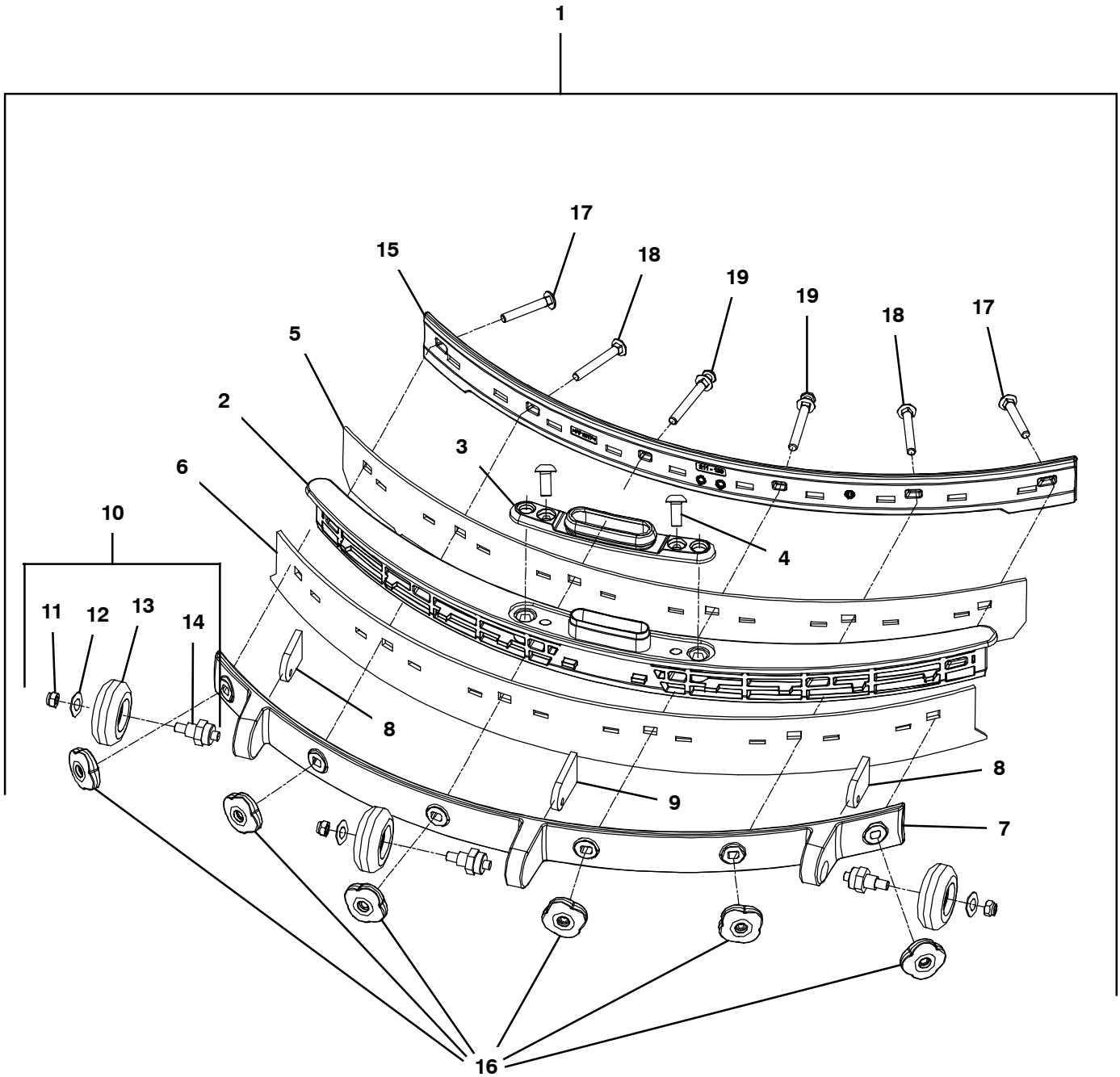
▽ ASSEMBLY

▲ INCLUDED IN ASSEMBLY

N/A = NOT AVAILABLE SEPARATELY - MUST ORDER ASSEMBLY (▽)

SQUEEGEE ASSEMBLY

355891



SQUEEGEE ASSEMBLY

	Ref.	Part No.	Serial Number	Description	Qty.
▽	1	1264738	()	Blade, Sqge, Assy [I- Mop Lite]	1
▲	2	N/A	()	Squeegee Main Housing Grey	1
▲	3	N/A	()	Squeegee Bracket Grey	1
▲	4	N/A	()	Screw Round Head Cap M5x12	2
▲	5	1263466	()	Squeegee, Front, Linatex [Lite Qty 1] (Standard)	1
	5	1263464	()	Squeegee, Front, Primo Airo [Lite Qty 1] (Option)	1
▲	6	1263467	()	Squeegee, Rear, Linatex [Lite Qty 1] (Standard)	1
	6	1263465	()	Squeegee, Rear, Primo [Lite Qty 1] (Option)	1
▲	7	N/A	()	Squeegee Rear Housing Grey	1
▲	8	N/A	()	Caster Bracket Short	2
▲	9	N/A	()	Caster Bracket Long	1
▲▽	10	1264739	()	Caster Assy, Squeegee [Set Of 3, Lite]	3
▲▲	11	N/A	()	Nut Nylon M5 Stainless	1
▲▲	12	N/A	()	Washer M5 5.1x12x1 Stainless	1
▲▲	13	N/A	()	Squeegee Caster Grey	1
▲▲	14	N/A	()	Squeegee Caster Axis	1
▲	15	N/A	()	Squeegee Front Housing Grey	1
▲	16	1264740	()	Knob Kit, Retainer, Sqge [Qty 6, Lite]	1
▲	17	N/A	()	Bolt Squeegee Small	2
▲	18	N/A	()	Bolt Squeegee Medium	2
▲	19	N/A	()	Bolt Squeegee Large	2

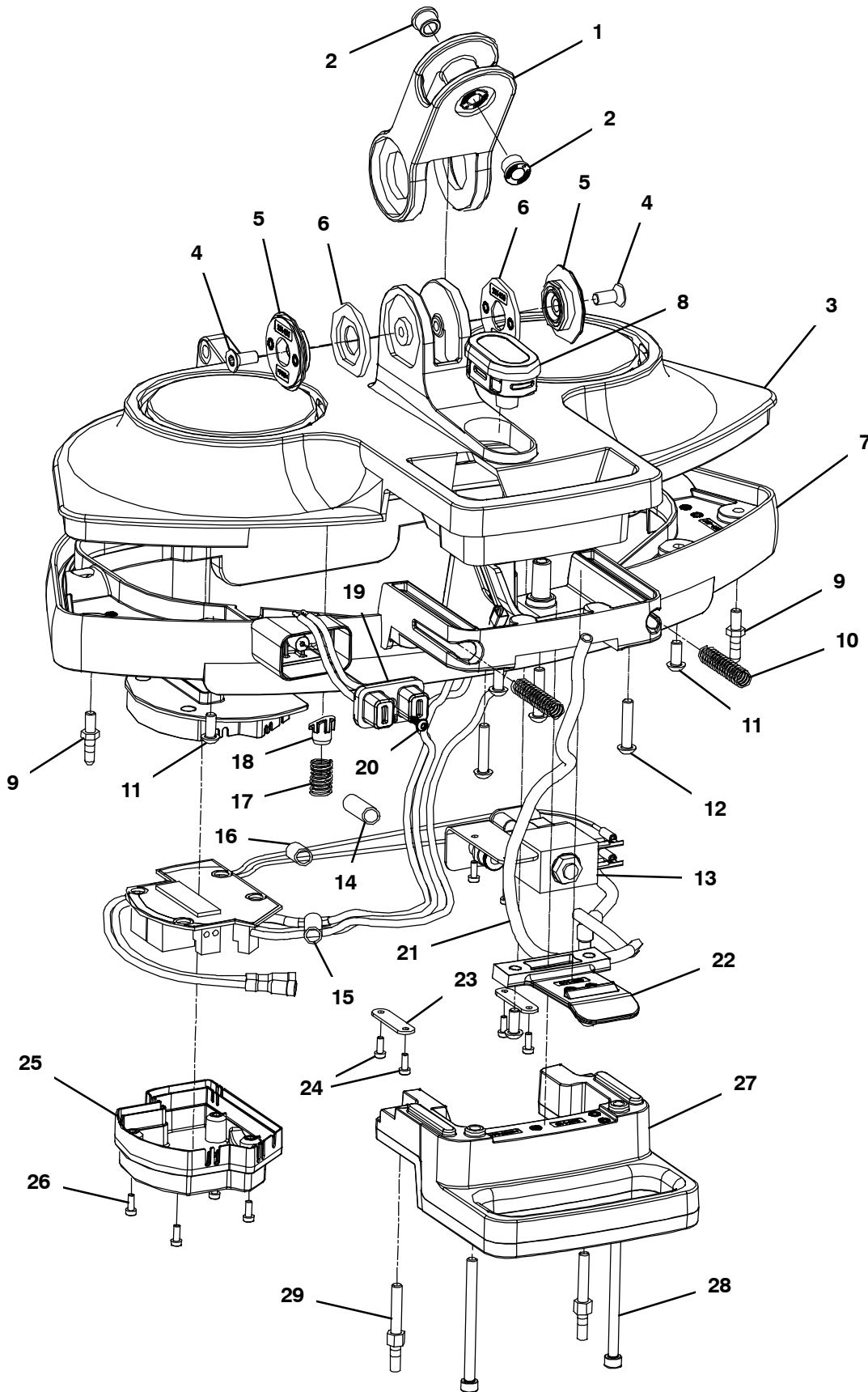
▽ ASSEMBLY

▲ INCLUDED IN ASSEMBLY

N/A = NOT AVAILABLE SEPARATELY - MUST ORDER ASSEMBLY (▽)

FLOOR UNIT ASSEMBLY

355899



FLOOR UNIT ASSEMBLY

Ref.	Part No.	Serial Number	Description	Qty.	
1	N/A	()	Main Hinge Assy	1	
2	N/A	()	Bearing Brush Main Hinge	2	
3	N/A	()	Floor Unit Main Cover Grey	1	
4	N/A	()	Screw M6x14	2	
5	N/A	()	Floor Unit Bearing Brush	2	
6	N/A	()	Floor Unit Bearing Disc	2	
7	N/A	()	Protection Bumper	1	
8	1264750	()	Magnet, Park Stop Assy [I- Mop Lite]	1	
9	N/A	()	Fixation Pin	4	
10	N/A	()	Spring Compression 7x9x45.5	2	
11	N/A	()	Screw Round Head Cap M5x12	5	
12	N/A	()	Screw Round Head Cap M5x25	3	
13	1264752	()	Circuitboard/Solenoid Assy [I- Mop Lite]	1	
14	N/A	()	Magnetic Ring (Valve Lead Wire V1)	1	
15	N/A	()	Magnetic Ring (Signal Cable BK20231)	2	
16	N/A	()	Magnetic Ring (Battery Lead Wire B5H)	2	
17	N/A	()	Spring Floor Unit	1	
18	N/A	()	Support Spring Floor Unit	1	
▽	19	1264749	()	Spring Contact Assy [I- Mop Lite]	1
▲	20	N/A	()	Screw Ejot Pt Wn 5451 30x10	1
21	N/A	()	Hose Main Water	1	
22	1266094	()	Holder, Battery Clip [I- Mop Lite]	1	
23	N/A	()	Plate Cable Holder	2	
24	N/A	()	Screw Socket Head Cap Torx M5x8	4	
25	N/A	()	Box Cover Electronics White	1	
26	N/A	()	Screw	4	
27	1264751	()	Handle, Lift, Scrubhead [I- Mop Lite]	1	
28	N/A	()	Screw Socket Head Cap Torx M5x65	2	
29	N/A	()	Fixation Pin Squeegee	2	

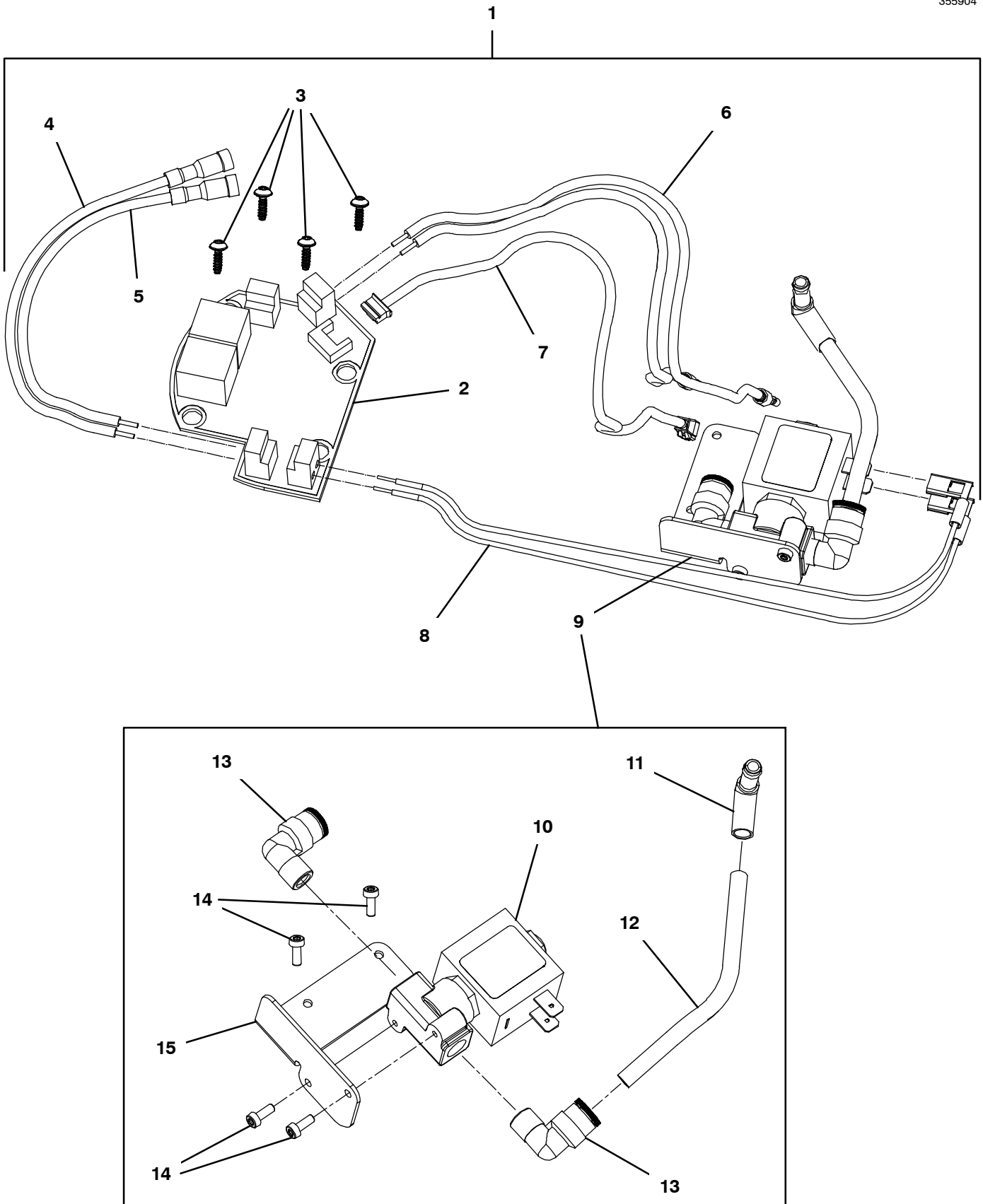
▽ ASSEMBLY

▲ INCLUDED IN ASSEMBLY

N/A = NOT AVAILABLE SEPARATELY - MUST ORDER ASSEMBLY (▽)

FLOOR UNIT PCB AND SOLENOID ASSEMBLY

355904



FLOOR UNIT PCB AND SOLENOID ASSEMBLY

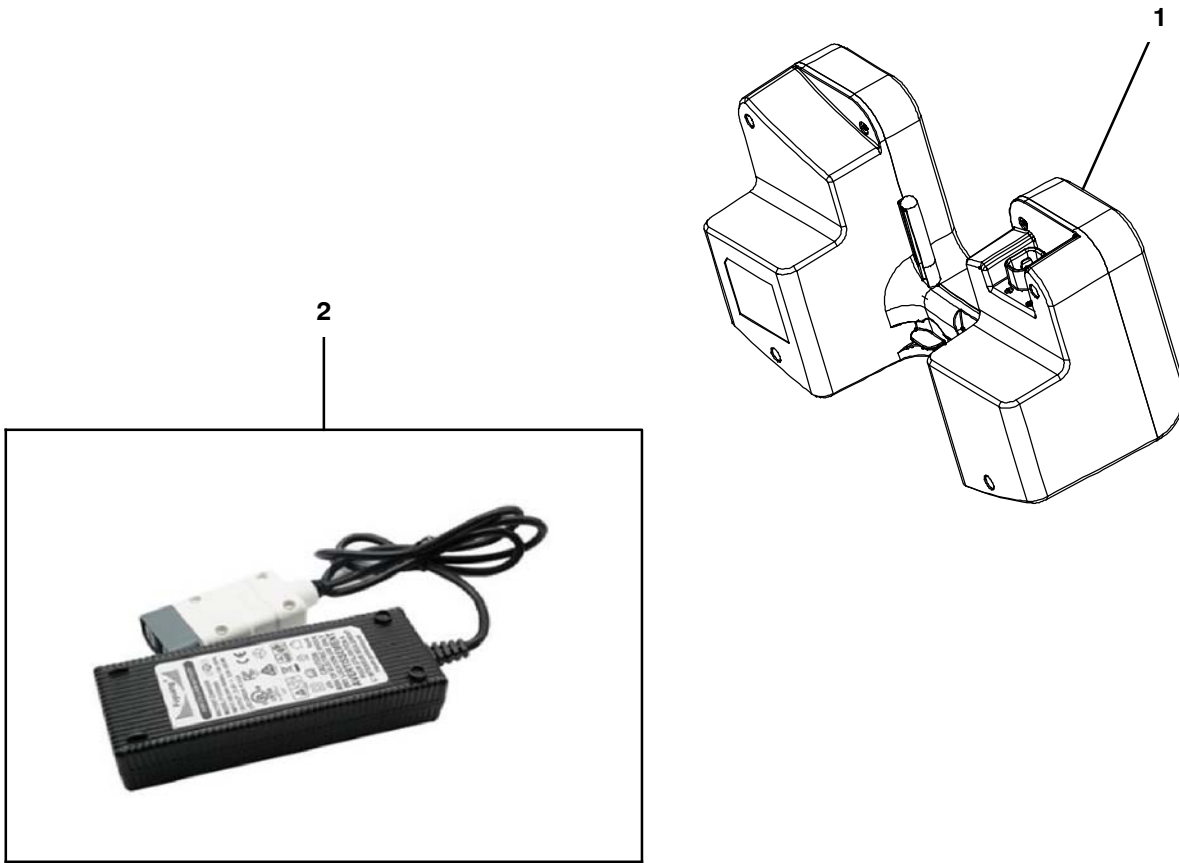
	Ref.	Part No.	Serial Number	Description	Qty.
▽	1	1264752	()	Circuitboard/Solenoid Assy [I- Mop Lite]	1
▲	2	1263472	()	Pcb, Floor Unit, [Lite Qty 1]	1
▲	3	N/A	()	Screw Socket Head Cap Torx M5x8	4
▲	4	N/A	()	Connecting Drive Motor Line Red	1
▲	5	N/A	()	Connecting Drive Motor Line Black	1
▲	6	N/A	()	Floor Unit Cable Assy	1
▲	7	N/A	()	Cable	1
▲	8	N/A	()	Cable Solenoid Black Complete	1
▲▽	9	1264753	()	Solenoid Assy [I- Mop Lite]	1
▲▲	10	N/A	()	Magnetic Valve Parker	1
▲▲	11	N/A	()	Water Coupling Grey	1
▲▲	12	N/A	()	Hose External	1
▲▲	13	N/A	()	Fitting, Elbow	2
▲▲	14	N/A	()	Screw Socket Head Cap Torx M5x8	4
▲▲	15	N/A	()	Plate Fixation	1

▽ ASSEMBLY

▲ INCLUDED IN ASSEMBLY

BATTERY AND CHARGER

355903



Ref.	Part No.	Serial Number	Description	Qty.
1	1263272	()	Battery, [I- Mop Lite]	1
2	1263273	()	Charger, Batt [I- Mop Lite] (N. America)	1
2	1267985	()	Charger, Batt, Eu&Uk [I- Mop Lite] (EMEA)	1
2	1267989	()	Charger, Batt, Brazil [I- Mop Lite]	1

ELECTRICAL DIAGRAM

