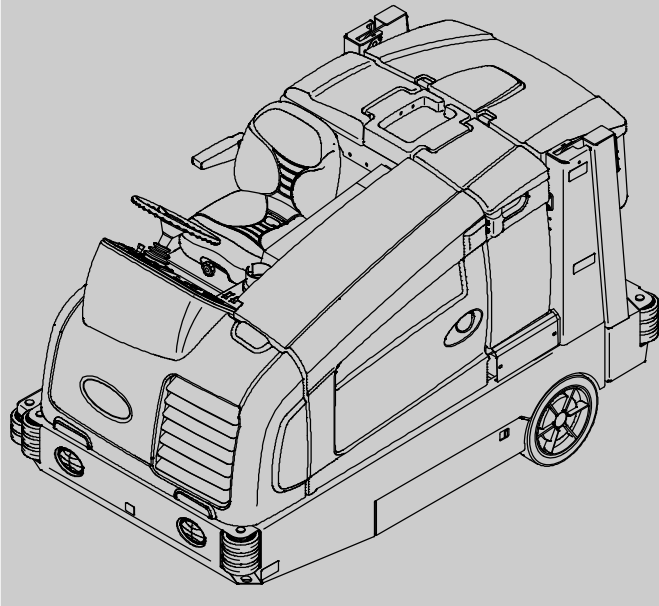
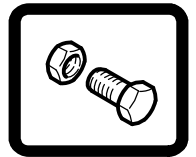




# M20

(Gas/LPG)

(S/N 008000- )  
Scrubber-Sweeper  
Parts Manual



**The Safe Scrubbing Alternative<sup>®</sup>**

**ES<sup>®</sup> Extended Scrub System**

**TennantTrue<sup>®</sup> Parts**

**Hygenic<sup>®</sup> Fully Cleanable Tanks**

**FloorSmart<sup>®</sup> Integrated Cleaning System**

**IRIS<sup>®</sup> a Tennant Technology**

**Pro-Panel<sup>™</sup>**

**Insta-Fit<sup>™</sup> Adapter**



## North America / International

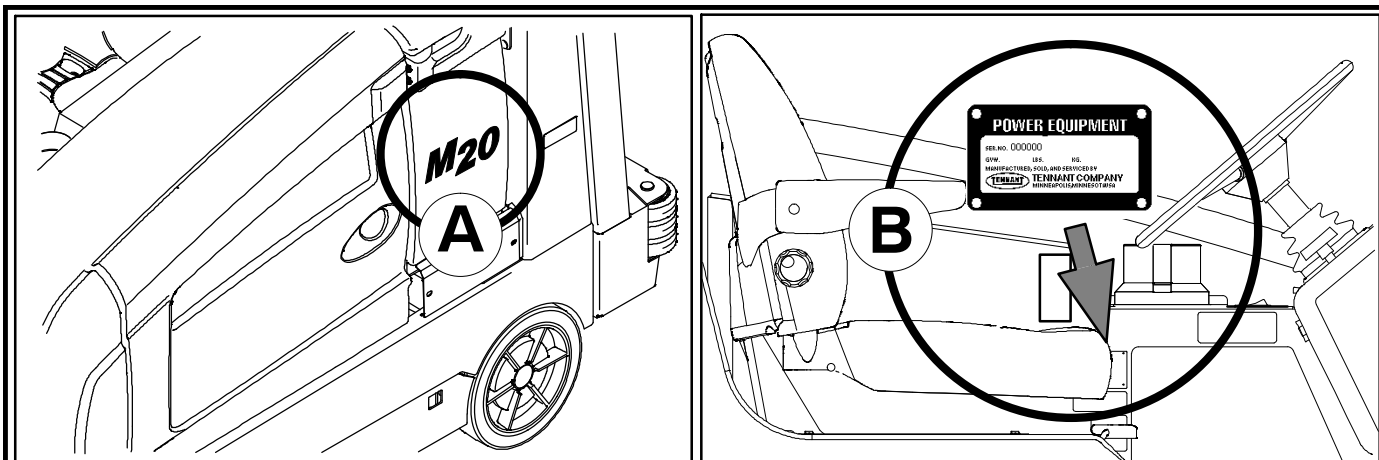


For the latest Parts manuals and other language Operator manuals, visit:

[www.tennantco.com/manuals](http://www.tennantco.com/manuals)

9016001  
Rev. 08 (7-2022)





Ref	Part No.	Serial Number	Description	Qty.
1	82681	(000000— )	Bracket Wldt, Lpg Mount	1
2	63810	(000000— )	Latch Assy, Lpg Tank Mtg, W/Nut	4
3	51839	(000000— )	Nut Adjustable, Lpg Tank Mtg	2
4	49263	(000000— )	Tie, Cable	3
5	82556	(000000—001039)	Bracket, Vaporizer	1
6	54930	(000000— )	Vaporizer, LPG	1

**HOW TO ORDER PARTS – See diagram above**

Only use TENNANT Company supplied or equivalent parts. Parts and supplies may be ordered online, by phone, by fax or by mail.

Follow the steps below to ensure prompt delivery.

1. **(A)** Identify the machine model.
2. **(B)** Identify the machine serial number from the data plate.
3. **(C)** Ensure the proper serial number is used from the parts list.
4. Identify the part number and quantity. Do not order by page or reference numbers.
5. Provide your name, company name, customer ID number, billing and shipping address, phone number and purchase order number.
6. Provide detail shipping instructions.

**(D)** ▽ – Identifies an assembly  
 ▲ – Identifies parts included in assembly

**EN**

**Please fill out at time of installation for future reference.**

Model No. – \_\_\_\_\_

Serial No. – \_\_\_\_\_

Machine Options – \_\_\_\_\_

Sales Rep. – \_\_\_\_\_

Sales Rep. phone no. – \_\_\_\_\_

Customer ID Number – \_\_\_\_\_

Installation Date – \_\_\_\_\_

**Tennant Company**  
 10400 Clean Street  
 Eden Prairie, MN 55344-2650  
 Phone: (800) 553-8033 or (763) 513-2850  
 www.tennantco.com

Thermo-Sentry, Touch-N-Go, 1-STEP, Clean-Wedge, Variable Drain Valve, EasyOpen, Grip-N-Go, MaxPro2, Dura-Track, SmartRelease, InstantAccess, Duramer, FaST-PAK, ErgoSpace and Lower Total Cost of Ownership are trademarks of Tennant Company.

Specifications and parts are subject to change without notice.

Original Information, copyright © 2016, 2017, 2018, 2019, 2020, 2021, 2022 TENNANT Company, Printed in U.S.A.

<b>CN</b>	<p><b>如何订购部件 - 参见下表</b></p> <p>仅使用 TENNANT 公司提供的或同等部件。部件和供应可以在线订购，通过电话、传真或邮件订购。请遵循下面的步骤确保及时交付。</p> <ol style="list-style-type: none"> <li>1. <b>(A)</b> 确定机器型号。</li> <li>2. <b>(B)</b> 从数据标签确定机器序列号。</li> <li>3. <b>(C)</b> 确保使用部件列表中的正确序列号。</li> <li>4. 确定部件号和数量。 不要按页面或参考编号订购。</li> <li>5. 提供您的姓名、公司名称、客户 ID 号、付帐和送货地址、电话号码和采购单编号。</li> <li>6. 提供详细的送货说明。</li> </ol> <hr/> <p><b>(D)</b> ▽ - 确定组件 ▲ - 确定组件中包含的组件</p>	<p><b>请在安装时填写供未来参考。</b></p> <p>型号 - _____</p> <p>序列号 - _____</p> <p>机器选项 - _____</p> <p>销售代表 - _____</p> <p>销售代表电话号码 - _____</p> <p>客户 ID 编号 - _____</p> <p>安装日期 - _____</p>
-----------	--	--

<b>ES</b>	<p><b>CÓMO SOLICITAR PIEZAS - Consulte el diagrama anterior.</b></p> <p>Utilice sólo las piezas suministradas por TENNANT Company o piezas equivalentes. Puede solicitar las piezas a través de internet, por teléfono, por fax o por correo.</p> <p>Siga los siguientes pasos para que la entrega sea rápida.</p> <ol style="list-style-type: none"> <li>1. <b>(A)</b> Indique el modelo de máquina.</li> <li>2. <b>(B)</b> Indique el número de serie de la etiqueta de datos.</li> <li>3. <b>(C)</b> Asegúrese de que indica el número de serie correcto de la lista de piezas.</li> <li>4. Indique la cantidad y el número de la pieza. No realice el pedido indicando el número de página o el de referencia.</li> <li>5. Incluya su nombre, el nombre de la empresa, el ID de cliente, las direcciones de envío y facturación, el número de teléfono y el número del pedido de compra.</li> <li>6. Facilite instrucciones de envío.</li> </ol> <hr/> <p><b>(D)</b> ▽ - identifica un conjunto ▲ - identifica piezas de un conjunto</p>	<p><b>Rellene estos datos cuando realice la instalación para utilizarlos como referencia en el futuro.</b></p> <p>Nº modelo - _____</p> <p>Nº serie - _____</p> <p>Opciones de la máquina - _____</p> <p>Vendedor - _____</p> <p>Nº teléfono vendedor - _____</p> <p>Nº cliente - _____</p> <p>Fecha de instalación - _____</p>
-----------	--	---

<b>FR</b>	<p><b>COMMENT COMMANDER DES PIÈCES DÉTACHÉES - Voir le schéma ci-dessus.</b></p> <p>Utilisez uniquement des pièces fournies par la société TENNANT ou équivalentes. Les pièces et fournitures peuvent être commandées en ligne, par téléphone, fax, ou par courrier.</p> <p>Suivez les étapes ci-dessous pour assurer une livraison rapide.</p> <ol style="list-style-type: none"> <li>1. <b>(A)</b> Identifiez le modèle de la machine.</li> <li>2. <b>(B)</b> Identifiez le numéro de série de la machine, à partir de l'étiquette signalétique.</li> <li>3. <b>(C)</b> Assurez-vous que le numéro de série correct est utilisé à partir de la liste de pièces détachées.</li> <li>4. Identifiez le numéro de pièce et la quantité. Ne commandez pas par page ou numéros de référence.</li> <li>5. Fournissez votre nom, le nom de votre société, votre numéro d'identification de client, l'adresse de facturation et d'expédition, le numéro de téléphone et le numéro du bon de commande.</li> <li>6. Fournissez des instructions d'expédition détaillées.</li> </ol> <hr/> <p><b>(D)</b> ▽ - identifie un assemblage ▲ - identifie les pièces composant l'assemblage</p>	<p><b>A remplir au moment de l'installation à titre de référence.</b></p> <p>Nº du modèle - _____</p> <p>Nº de série - _____</p> <p>Options de la machine - _____</p> <p>Agent commercial - _____</p> <p>Nº tél. de l'agent commercial - _____</p> <p>Numéro d'identification client - _____</p> <p>Date d'installation - _____</p>
-----------	--	---

<b>JP</b>	<p><b>パーツの発注方法 ? 上記の図を参照してください</b></p> <p>TENNANT社製のパーツまたは同等品のみをお使いください。パーツやサプライ品のご注文は、オンライン、電話、FAX、または手紙でお願いいたします。確実にお届けできるように、以下の情報お知らせください。</p> <ol style="list-style-type: none"> <li>1. <b>(A)</b> 製品のモデル名をお知らせください。</li> <li>2. <b>(B)</b> 製品のデータラベルに印刷されているシリアル番号をお知らせください。</li> <li>3. <b>(C)</b> パーツリストを参照して、シリアル番号が正しいかご確認ください。</li> <li>4. パーツ番号と数量をお知らせください。マニュアル/カタログのページ番号や参照番号でのご注文はご遠慮ください。</li> <li>5. お客様のお名前、会社名、顧客ID番号、請求/発送先住所、電話番号、注文書番号をお知らせください。</li> <li>6. 発送に関するご希望があれば、明記してください。</li> </ol> <hr/> <p><b>(D)</b> ▽ - アセンブリを示します ▲ - アセンブリに含まれるパーツを示します</p>	<p><b>後日確認できるように、設置時に記入してください。</b></p> <p>モデルNo. - _____</p> <p>シリアルNo. - _____</p> <p>製品のオプション - _____</p> <p>販売代理店 - _____</p> <p>販売代理店の電話番号 - _____</p> <p>顧客ID番号 - _____</p> <p>設置日 - _____</p>
-----------	---	---



# GENERAL RECOMMENDED MAINTENANCE

## General Recommended Maintenance Items

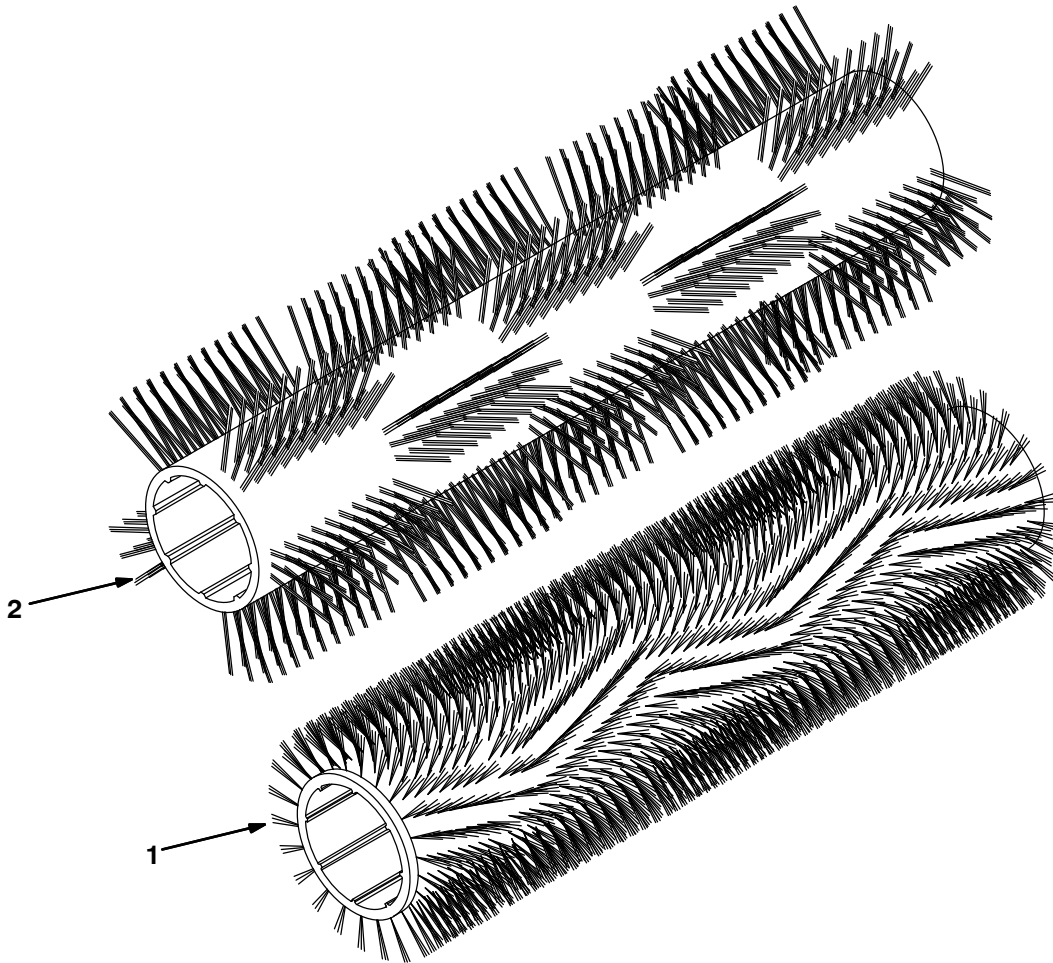
Ref.	Part No.	Serial Number	Description	Qty.
▽	9002555	(008000-	) Maint Kit, Gas, 800hr[M20/T20]	1
▲	31613	(008000-	) Strainer, Hyd, 25 Gpm 100 Mesh	1
▲	25122	(008000-	) Cap, Breather, Hyd, 2.4 Ds	1
▲	1021579	(008000-	) Filter Assy, Hyd, 10mic	1
▲	372440	(008000-	) Filter, Fuel [Gm 1.6/3.0]	1
▽	9007381	(008000-	) Maint Kit, 800hr [M20/T20/M30 Lpg 2010]	1
▲	31613	(008000-	) Strainer, Hyd, 025gpm 100mesh 03psi	1
▲	25122	(008000-	) Cap, Breather, Hyd, 2.4 Ds	1
▲	1021579	(008000-	) Filter Assy, Hyd, 10mic	1
▲	9007380	(008000-	) Filter Kit, Fuelock, Lpg	1
	393982	(006000-	) Element, Fltr, Oil, Spin-On (Mits)	1
	1048295AM	(008000-	) Filter, Panl, Syn, 4.2 X 20.0 X 30.0	1
	1027290	(008000-	) Filter, Soltn, 20mesh, Pm12 3.1d 02.6l	1
	87866	(008000-	) Key, Ignition [Set Of 2]	1
	10137	(008000-	) Battery, Wet, 12vdc 0475cca	1
	20833	(008000-	) Wheel, 3.0d 1.38w 0.50b	2
	1033644	(008000-	) Belt, Ribbed, 38.5l	1
	1024586	(008000-	) Skirt, Neo, .06, 06.85w 27.95l, 08 Hole	2
	1019295	(008000-	) Skirt, Neo, .18, 10.37w 27.95l, 12 H&S	2
	1020166	(008000-	) Skirt, Neo, .06, 12.00w 45.88l, 07 Hole	1
	1022009	(008000-	) Skirt, Neo, .06, 06.38w 40.86l, 06 Hole	1
	1022007	(008000-	) Skirt, Rbr, .37, 04.50w 40.94l, 06 Hole	1
	1017868	(008000-	) Blade, Sqge, Front [Linard]	1
	1031331	(008000-	) Blade, Sqge, Rear, Linatex	1
	83874	(008000-	) Gasket, Sqge	2
	1031011	(008000-	) Blade, Sqge, 37.08l Linatex	2
	1027719	(008000-	) Blade, Sqge, Front, 49.59l Pyu	1
	1031945	(008000-	) Blade, Sqge, Rear, 53.78L Pyu	1
	1031823	(008000-	) Blade, Sqge, .38 3.55w 038.3l, Ure	2
	9014160	(008000-	) Plug, Spark	4
	1059091	(008000-	) Blade, Sqge, Side Brush, Urethane	1
	1059092	(008000-	) Blade, Sqge, Side Brush, Urethane	1
	1046980	(008000-	) Blade, Sqge, Side Brush, Linatex	1
	1047238	(008000-	) Blade, Sqge, Side Brush, Linatex	1
	16411	(008000-	) Paint, Airdry, Off-White, 12oz	1
	16412	(008000-	) Paint, Airdry, Teal, 12oz, Solid	1
	377540	(008000-	) Paint, Airdry, Blk, 12oz	1
	377538	(008000-	) Paint, Airdry, Gray, 12oz [Enamel]	1
	377537	(008000-	) Paint, Airdry, Iron Gray,12oz[Pwdr Coat]	1
	1057710	(008000-	) Oil, Hyd [El, Iso 100, 01gal]	1
	1057711	(008000-	) Oil, Hyd [El, Iso 100, 05gal]	1
	1069019	(008000-	) Oil, Hyd [El, Iso 68, 01gal]	1
	1069020	(008000-	) Oil, Hyd [El, Iso 68, 05gal]	1
	1057707	(008000-	) Oil, Hyd [El, Iso 32, 01gal]	1
	1057708	(008000-	) Oil, Hyd [El, Iso 32, 05gal]	1



## SECTION 2

Contents	Page	Contents	Page
Fig. 1 – Brushes, Replacement, Scrub Head	2-2	Fig. 44 – Squeegee Lift Group, Left Side	2-86
Fig. 2 – Brushes, Replacement, Side Brush	2-3	Fig. 45 – Solution Tank Group	2-88
Fig. 3 – Main Frame Group	2-4	Fig. 46 – Solution Tank Drain Group	2-92
Fig. 4 – Operator Station Group	2-6	Fig. 47 – Solution Control Group (008000–014000)	2-94
Fig. 5 – Operator Station Insulation Group	2-8	Fig. 48 – Solution Control Group (014001– )	2-96
Fig. 6 – Instrument Panel Group	2-10	Fig. 49 – Recovery Tank Group	2-98
Fig. 7 – Seat Group	2-12	Fig. 50 – Recovery Tank Drain Group	2-100
Fig. 8 – Steering Group	2-14	Fig. 51 – Vacuum Fan Group, Scrubbing	2-102
Fig. 9 – Front Cover Group	2-16	Fig. 52 – Vacuum Fan Group, Sweeping	2-104
Fig. 10 – Engine Cover Group	2-18	Fig. 53 – Hydraulic Schematic	2-106
Fig. 11 – Mitsubishi Engine and Mount Group, Gas	2-20	Fig. 54 – Hydraulic Hose Group, Steering and Propel	2-108
Fig. 12 – Mitsubishi Engine and Mount Group, LPG	2-22	Fig. 55 – Hydraulic Hose Group, Pump and Vacuum Fans	2-110
Fig. 13 – Mitsubishi Engine EFI Group, Gasoline	2-24	Fig. 56 – Hydraulic Hose Group, Brush and Hopper	2-112
Fig. 14 – Mitsubishi Engine EFI Group, LPG	2-26	Fig. 57 – Hydraulic Hose Group, Squeegee Lift	2-114
Fig. 15 – Mitsubishi Engine Air Cleaner Group, Gasoline	2-28	Fig. 58 – Hydraulic Pumps Group	2-116
Fig. 16 – Mitsubishi Engine Air Cleaner Group, LPG	2-30	Fig. 59 – Hydraulic Cooler and Tubes Group	2-118
Fig. 17 – Mitsubishi Engine Alternator and Fan Group	2-32	Fig. 60 – Hydraulic Reservoir Group	2-120
Fig. 18 – Mitsubishi Engine Muffler Group	2-34	Fig. 61 – Hydraulic Valve Group	2-122
Fig. 19 – Mitsubishi Engine Radiator and Mount Group	2-36	Fig. 62 – Electrical Schematic	2-124
Fig. 20 – Mitsubishi Engine Radiator Hose Group	2-38	Fig. 63 – Electrical Schematic, Gas Engine Harness	2-132
Fig. 21 – Engine Fuel Tank Group, Gasoline	2-40	Fig. 64 – Electrical Schematic, LPG Engine Harness	2-134
Fig. 22 – Engine Fuel Tank Group, LPG	2-42	Fig. 65 – Electrical Wire Harness Group, Main (008000–014000)	2-136
Fig. 23 – Battery and Electrical Group	2-44	Fig. 66 – Electrical Wire Harness Group, Main (014001– )	2-142
Fig. 24 – Wheel Group, Front Drive	2-46	Fig. 67 – Electrical Wire Harness Group, Headlight	2-149
Fig. 25 – Wheel Group, Rear	2-48	Fig. 68 – Electrical Wire Harness Group, Hopper	2-150
Fig. 26 – Brake Pedal Linkage Group	2-50	Fig. 69 – Electrical Wire Harness Group, Hopper Cover	2-151
Fig. 27 – Directional Pedal Group	2-52	Fig. 70 – Electrical Wire Harness Group, Seat Switch	2-152
Fig. 28 – Hydraulic Pump Linkage Group	2-54	Fig. 71 – Electrical Wire Harness Group, Gasoline/LPG Engine	2-153
Fig. 29 – Hopper Lift Arms Group	2-56	Fig. 72 – Label Group	2-154
Fig. 30 – Hopper and Debris Screen Group	2-58		
Fig. 31 – Hopper Cover and Dust Filter Group	2-60		
Fig. 32 – Hopper Bumper Group	2-62		
Fig. 33 – Hopper Door Group	2-64		
Fig. 34 – Cylindrical Scrub Brush Drive Group, Left Side	2-66		
Fig. 35 – Cylindrical Scrub Brush Drive Group, Right Side	2-68		
Fig. 36 – Cylindrical Scrub Brush Head Lift Group	2-70		
Fig. 37 – Cylindrical Brush Head Skirt Group	2-72		
Fig. 38 – Squeegee Lift Group, Rear	2-74		
Fig. 39 – Squeegee Group, Rear	2-76		
Fig. 40 – Squeegee Linkage Group, Rear	2-78		
Fig. 41 – Squeegee Group, Right Side	2-80		
Fig. 42 – Squeegee Lift Group, Right Side	2-82		
Fig. 43 – Squeegee Group, Left Side	2-84		

**Fig. 1 – Brushes, Replacement, Scrub Head**

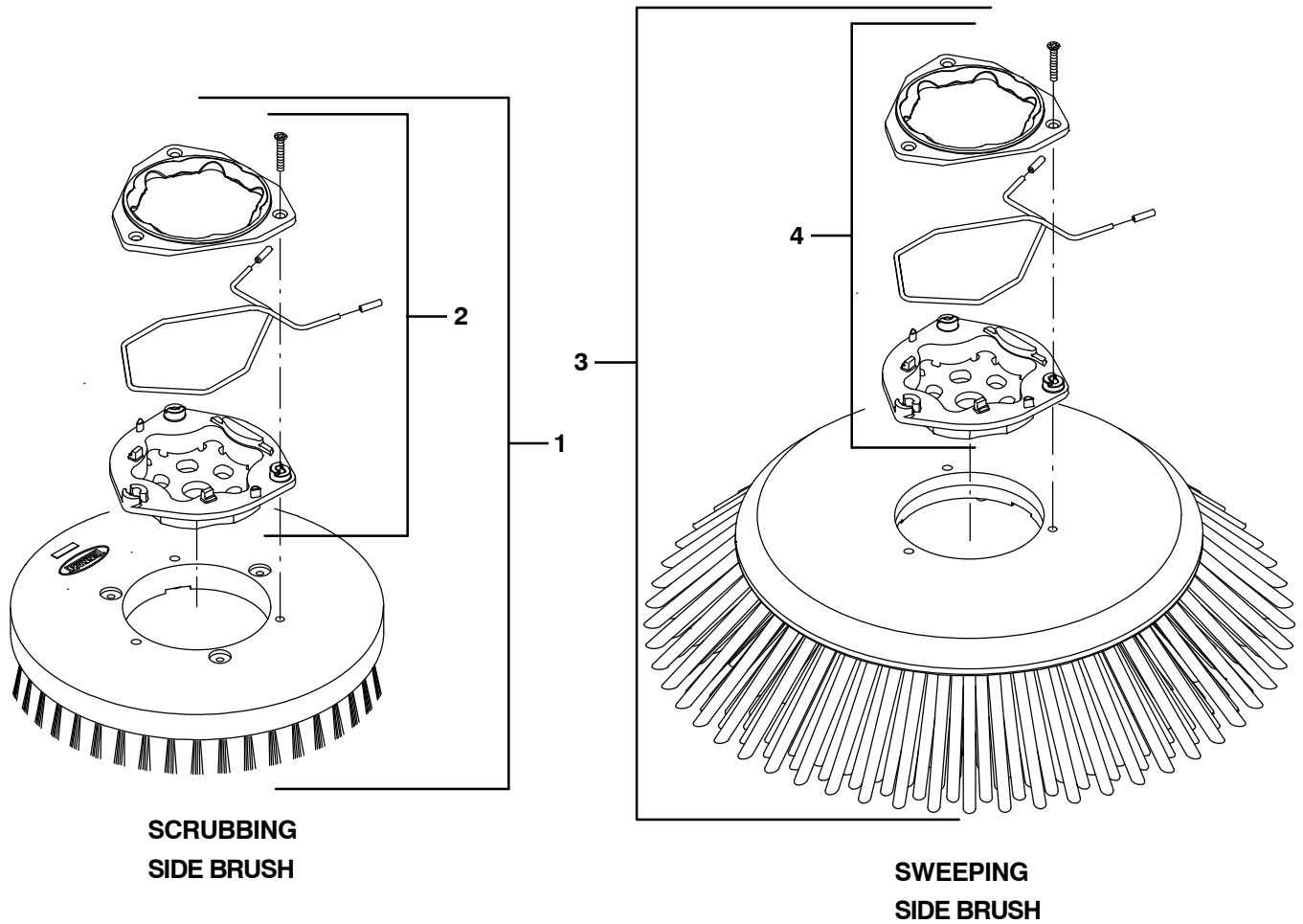


354408 – M20

Ref.	Part No.	Serial Number	Description	Qty.
1	1026223	(008000– )	Brush, Sweep / Scb, 40L, Polypropylene, Spiral	2
1	1252156	(008000– )	Brush, Sweep / Scb, 40L, 24Sr, Super Abrasive, Spiral	2
1	1027697	(008000– )	Brush, Sweep / Scb, 40L, Polyester, Spiral	2
1	1030969	(008000– )	Brush, Sweep / Scb, 40L, Heavy Duty Polypropylene, Spiral	2
2	1040524	(008000– )	Brush, Sweep / Scb, 40L, Window, Polypropylene, Spiral	1
2	1059640	(008000– )	Brush, Sweep / Scb, 40L, Window, Super Abrasive, Spiral	1



Fig. 2 – Brushes, Replacement, Side Brush



354584 – NA, M20, T20

	Ref.	Part No.	Serial Number	Description	Qty.
▽	1	1220235	(008000–	) Brush Assy, Disk, Scb, 16.0d, Nylon	1
▲	2	9014662	(008000–	) Brush Kit, Hub Assy, Drive, Ci [Hdpe In]	1
▽	1	1220236	(008000–	) Brush Assy, Disk, Scb, 16.0d, Heavy Duty Polypropylene	1
▲	2	9014662	(008000–	) Brush Kit, Hub Assy, Drive, Ci [Hdpe In]	1
▽	1	1221543	(008000–	) Brush Assy, Disk, Scb, 16.0d, Super Abrasive	1
▲	2	9014662	(008000–	) Brush Kit, Hub Assy, Drive, Ci [Hdpe In]	1
▽	3	1220185	(008000–	) Brush Assy, Disk, Swp, 24.0d, Polypropylene	1
▲	4	9014666	(008000–	) Brush Kit, Hub Assy, Drive, Ci [Uhmw]	1

**Fig. 3 – Main Frame Group**

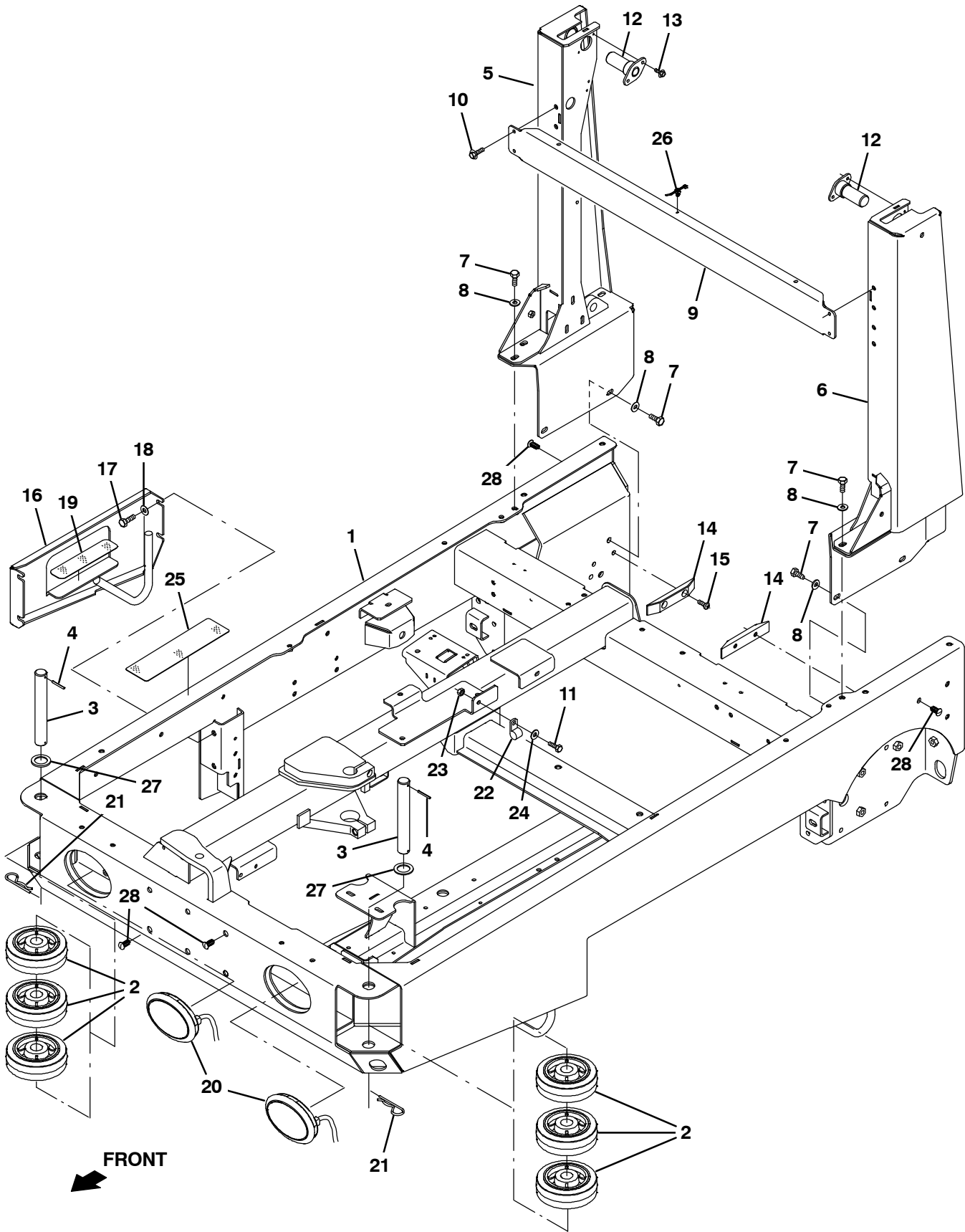


Fig. 3 – Main Frame Group

Ref.	Part No.	Serial Number	Description	Qty.
1	9002401	(008000–	) Frame Wldt, Main, Replmt [M20 & T20]	1
2	1060130	(008000–	) Wheel, 06.0D 2.00W 1.19B, Gray Rbr	6
3	1053838	(008000–	) Pin, 30mmd X 215mml	2
4	23146	(008000–	) Pin, Roll, .187d X 1.62l, .187/.192	2
5	9002400	(008000–	) Tower, Wldt, Lift, Rh, Replmt [M20]	1
6	9002399	(008000–	) Tower, Wldt, Lift, Lh, Replmt [M20]	1
7	39283	(008000–	) Screw, Hex, M10 X 1.5 X 25, 8.8	10
8	32492	(008000–	) Washer, Flat, 0.38 Std	10
9	1017791	(008000–	) Channel, Upper, Tower, Lift	1
10	1037346	(008000–	) Screw, Hex, M8 X 1.25 X 25, 9.8, Sems	4
11	39277	(008000–	) Screw, Hex, M8 X 1.25 X 25, 8.8	1
12	1019251	(008000–	) Pin Wldt, Pivot, Hppr	2
13	74455	(008000–	) Screw, Hex, M6 X 1.0 X 12, Fmg	4
14	1021327	(008000–	) Block, Guide, Hppr	2
15	367771	(008000–	) Screw, Pan, M8 X 1.25 X 25, Ss	4
16	1027916	(008000–	) Panel Wldt, Filler	1
17	12317	(008000–	) Screw, Hex, M10 X 1.5 X 30, Ss	4
18	01686	(008000–	) Washer, Flat, 0.44b 1.00d .08, Ss	4
19	363458	(008000–	) Tread, Non-Skid, 01.9w 08.0l	1
20	1075367	(008000–	) Headlight, 12Vdc, Oval, Led	2
21	34411	(008000–	) Pin, Cotter, Hair, 1.00d .178 Wir	2
22	53466	(008000–	) Clamp, Cable, Stl, 1.50d X 1.00w, 1hole	1
23	08709	(008000–	) Nut, Hex, Lock, M8 X 1.25, NI	1
24	32491	(008000–	) Washer, Flat, 0.31, Std	1
25	58819	(008000–	) Tread, Non-Skid, 03.0w 11.6l	1
26	1210807	(008000–	) Wire, Tie [W/.25" Fir Tree Clip]	1
27	1062566	(008000–	) Washer, Flat, 1.26B 1.88D .13, Stl, Pl	2
28	1055605	(008000–	) Plug, Hole, Rnd, 0.38h .4-.7, Blk Nyl	12

**Fig. 4 – Operator Station Group**

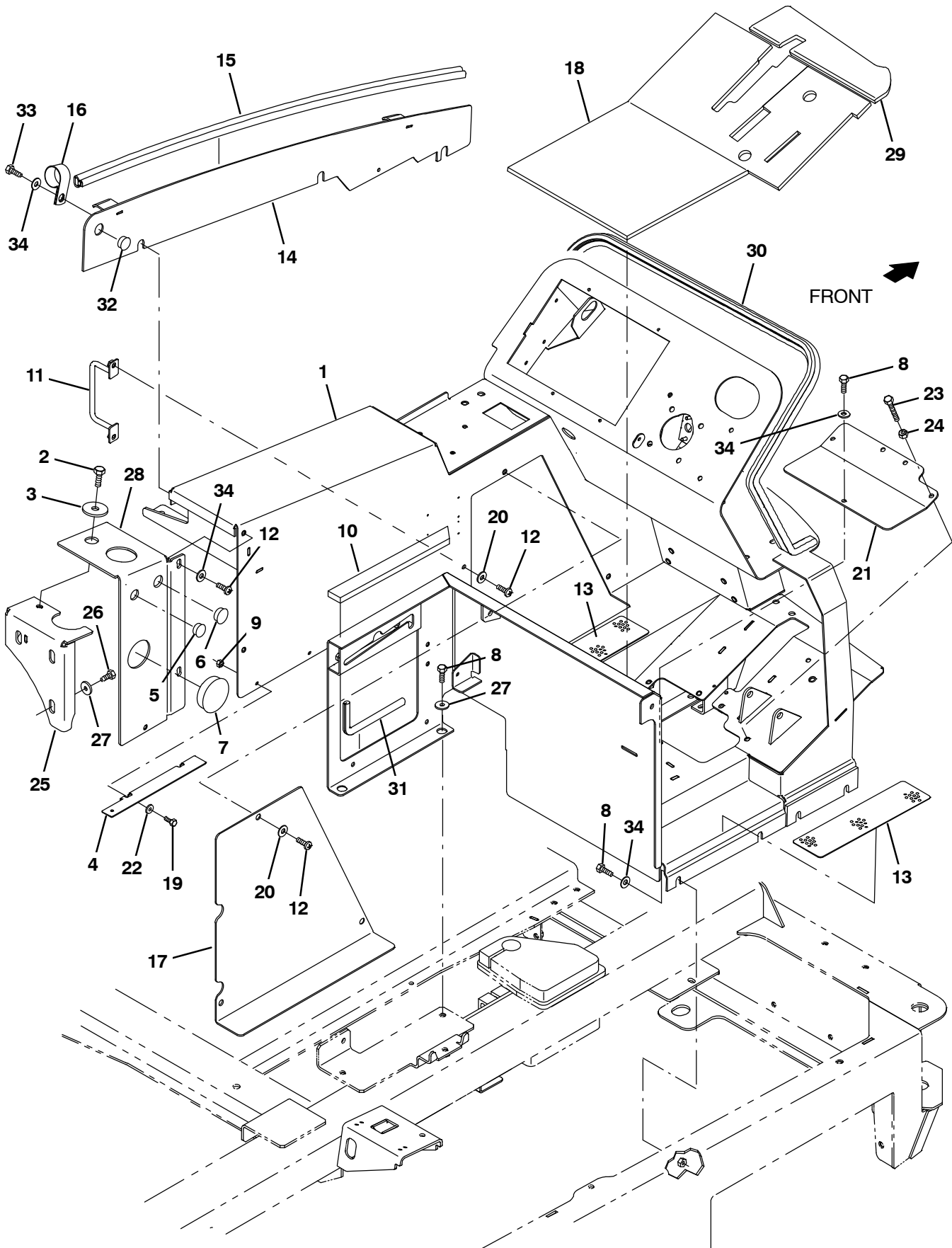


Fig. 4 – Operator Station Group

Ref.	Part No.	Serial Number	Description	Qty.
1	9016324	(008000– )	Panel Wldt, Gas, Replmt	1
1	9016320	(008000– )	Panel Wldt, Gas, Replmt [W/Fast]	1
1	9016321	(008000– )	Panel Wldt, Gas, W/ Es, Replmt	1
1	9016326	(008000– )	Panel Wldt, Gas, Replmt, TJ (Japan only)	1
1	9016329	(008000– )	Panel Wldt, Gas, Replmt, TJ [W/Fast] (Japan only)	1
1	9016332	(008000– )	Panel Wldt, Gas, Replmt, TJ, W/Es (Japan only)	1
1	9016335	(008000– )	Panel Wldt, LPG, Replmt	1
1	9016336	(008000– )	Panel Wldt, LPG, Replmt [W/Fast]	1
1	9016337	(008000– )	Panel Wldt, LPG, Replmt, W/Es	1
1	9016327	(008000– )	Panel Wldt, LPG, Replmt, TJ (Japan only)	1
1	9016330	(008000– )	Panel Wldt, LPG, Replmt, TJ [W/Fast] (Japan only)	1
1	9016333	(008000– )	Panel Wldt, LPG, Replmt, TJ, W/Es (Japan only)	1
2	39283	(008000– )	Screw, Hex, M10 X 1.5 X 25, 8.8	1
3	04414	(008000– )	Washer, Flat, 0.53b 1.88d .12, Stl, PI	1
4	1047169	(008000– )	Bracket, Mtg, Insulation	2
5	82727	(008000– )	Plug, Hole, Rnd, 0.88h .03–.12, Blk Nyl	1
6	01493	(008000– )	Plug, Hole, Rnd, 1.00h .03–.12, Blk Nyl	1
7	1030017	(008000– )	Plug, Hole, Rnd, 2.50h .03–.25, Blk Nyl	1
8	16931	(008000– )	Screw, Hex, M8 X 1.25 X 20, 8.8	12
9	08708	(008000– )	Nut, Hex, Lock, M6 X 1.00, NI	2
10	1047295	(008000– )	Seal, Foam, 0.50	1
11	1071616	(008000– )	Bracket Wldt, Mtg, Hose	1
12	1031665	(008000– )	Screw, Pan, M8 X 1.25 X 25, Blk	6
13	58819	(008000– )	Tread, Non-Skid, 03.0w 11.6l	4
14	1035832	(008000– )	Panel Wldt, Adj [2007]	1
15	1030593	(008000– )	Seal, Afmkt, Bulb, 90, 0.75d F/11ga 08ft	1
16	53466	(008000– )	Clamp, Cable, Stl, 1.50d X 1.00w, 1h	5
17	1021834	(008000– )	Panel, Access, Door	1
18	1027218	(008000– )	Mat, Floor	1
19	06942	(008000– )	Screw, Hex, M6 X 1.00 X 16, 8.8	2
20	39349	(008000– )	Washer, Flat, 0.31 Sae	5
21	1022699	(008000– )	Panel, Access, Floor	1
22	32490	(008000– )	Washer, Flat, 0.25, Std	2
23	363976	(008000– )	Screw, Hex, M8 X 1.25 X 60, 8.8, FI	1
24	39311	(008000– )	Nut, Hex, Std, M8 X 1.25	1
25	1035997	(008000– )	Bracket Wldt, Mtg, Tank	1
26	09740	(008000– )	Screw, Hex, M8 X 1.25 X 20, Ss	3
27	1017218	(008000– )	Washer, Flat, 0.32b 1.00d .12, Ss	5
28	1033975	(008000– )	Bracket, Mtg	1
29	1027267	(008000– )	Mat, Floor	1
30	1030593	(008000– )	Seal, Afmkt, Bulb, 90, 0.75d F/11ga 08ft	1
31	1020168	(008000– )	Molding, Afmkt, Trim, Pvc, .08 .11, 1ft	1
32	80288	(008000– )	Plug, Hole, Rnd, 0.81h, Blk	1
33	39277	(008000– )	Screw, Hex, M8 X 1.25 X 25, 8.8	6
34	32491	(008000– )	Washer, Flat, 0.31, Std	17

**Fig. 5 – Operator Station Insulation Group**

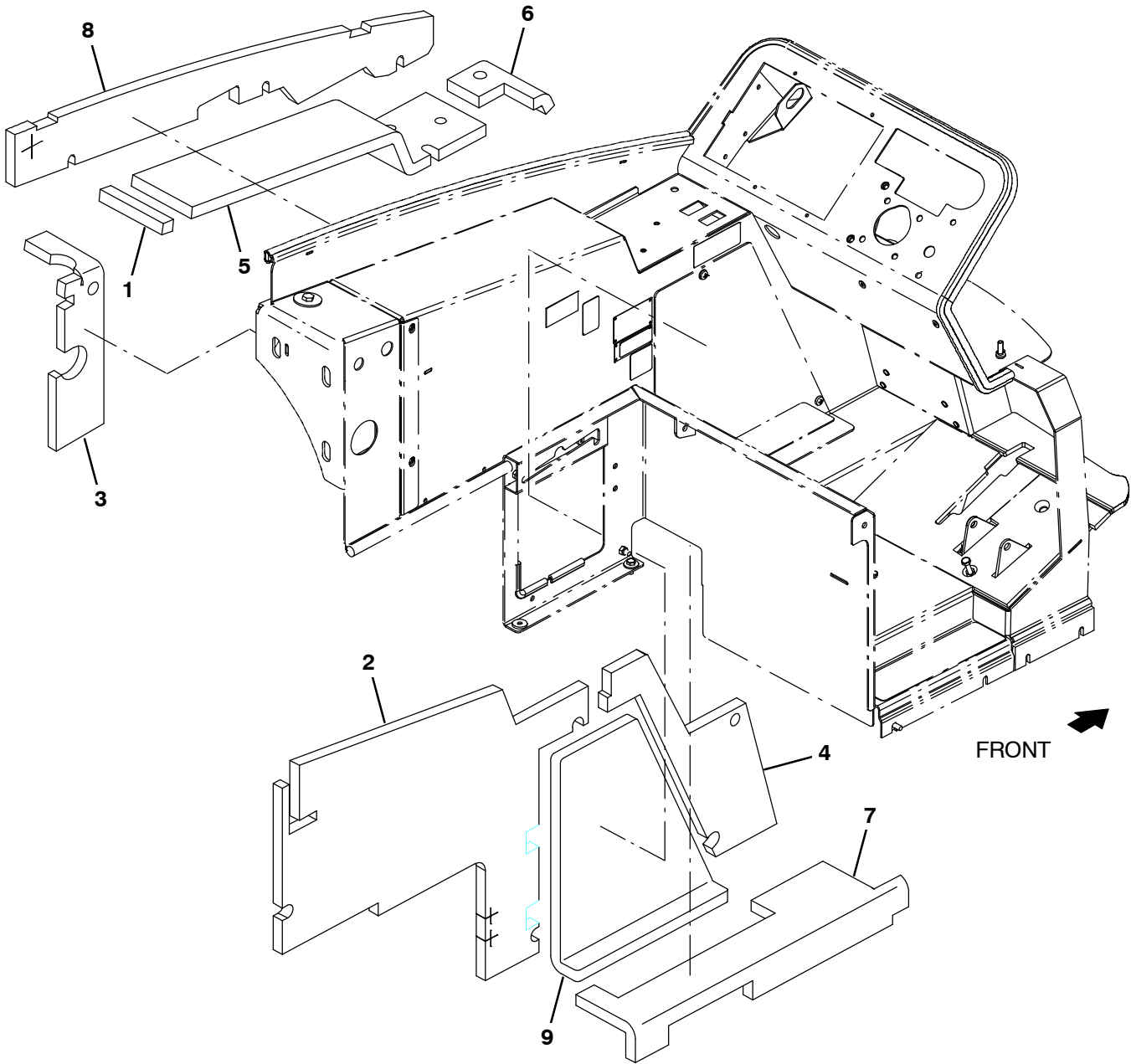


Fig. 5 – Operator Station Insulation Group

Ref.	Part No.	Serial Number	Description	Qty.
1	1034769	(008000–	) Insulation, Flame-retardant, 0.75–0.88	1
2	1034765	(008000–	) Insulation, Flame-retardant, 0.75–0.88	1
3	1040841	(008000–	) Insulation, Flame-Retardant, 0.75–0.88	1
4	1023464	(008000–	) Insulation, Flame-Retardant, 0.75–0.88	1
5	1034764	(008000–	) Insulation, Flame-retardant, 0.75–0.88	1
6	1034766	(008000–	) Insulation, Flame-retardant, 0.75–0.88	1
7	1034768	(008000–	) Insulation, Flame-retardant, 0.75–0.88	1
8	1034770	(008000–	) Insulation, Flame-retardant, 0.75–0.88	1
9	1023569	(008000–	) Insulation, Flame-Retardant, 0.75–0.88	1

Fig. 6 - Instrument Panel Group

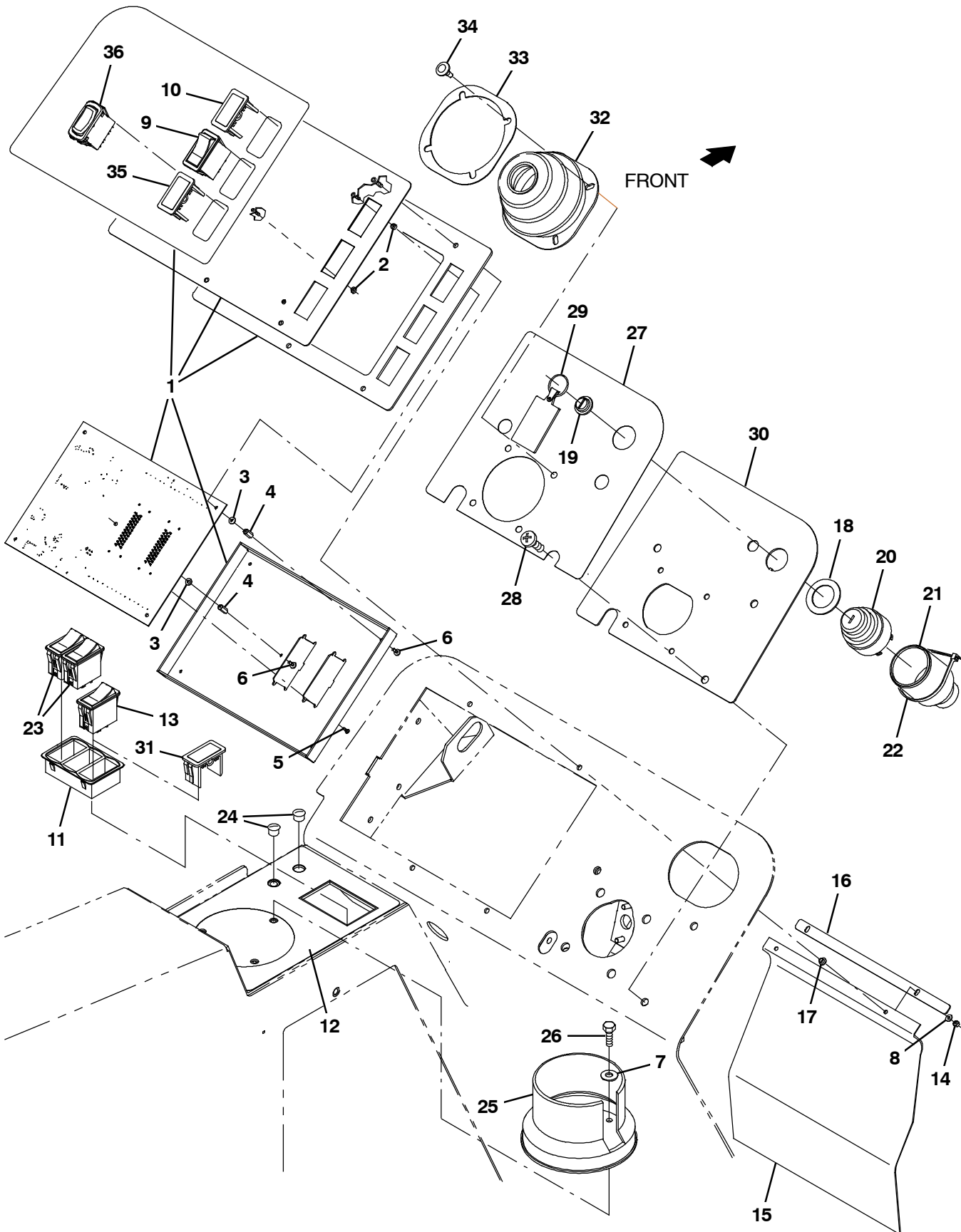




Fig. 6 - Instrument Panel Group

Ref.	Part No.	Serial Number	Description	Qty.
▽	1	1223896	(008000- ) Panel Assy, Instmt, W/ Label, Afmkt	1
▲	2	1006808	(008000- ) Spacer, Rnd, .125l, Alm	5
▲	3	1008663	(008000- ) Washer, Flat, 0.15b 0.31d .05, Nyl	5
▲	4	1022472	(008000- ) Stand- Off, Hex, M3 X M14, Alm	5
▲	5	1008240	(008000- ) Screw, Pan, #04- 24 X 0.50l, Hi - Low	5
▲	6	1022905	(008000- ) Screw, Pan, M3 X 6, [Seelscrew]	8
	7	32490	(008000- ) Washer, Flat, 0.25, Std	3
	8	19065	(008000- ) Washer, Flat, 0.19b 0.44d .05, Pl, 08	4
	9	392171	(008000- ) Switch, Rocker, Dpdt, On / Off / On	1
	10	398501	(008000- ) Plug, Hole, Rt, Rocker Switch, .87 X 1.7	1
	11	1029951	(008000- ) Bezel, Switch [3 Gang]	1
	12	1223906	(008000- ) Label, Switch, Rocker [Drago]	1
	13	1224603	(008000- ) Switch, Rocker, Mom, Led (Dry Dust Control Only)	1
	14	16968	(008000- ) Nut, Hex, Lock, #08- 32, NI	4
	15	1028769	(008000- ) Flap, Battery	1
	16	1028772	(008000- ) Bar, Flat, Ss 0.06, 00.50 X 10.00l, 2sl	1
	17	1029362	(008000- ) Washer, Shld, Nyl [8- 32]	4
	18	73736	(008000- ) Washer, Flat, 1.15b 1.75d .08, Stl	1
	19	382516	(008000- ) Boot, .63id .29l .90w	1
▽	20	87536	(008000- ) Switch, Ignition [Ku]	1
▲		87866	(008000- ) Key, Ignition [Set of 2]	1
	21	383165	(008000- ) Boot, Switch, Ignition	1
	22	49266	(008000- ) Tie, Cable, Nyl, 07.3l .19w 1.8 Max D	2
	23	398508	(008000- ) Switch, Rocker, Dpdt, Mom / Off / Mom	2
	24	56992	(008000- ) Plug, Hole, Rnd, 0.50h .03- .12, Blk Nyl	2
	25	223599	(008000- ) Cup Holder, Rwk	1
	26	06943	(008000- ) Screw, Hex, M6 X 1.00 X 20, 8.8	3
	27	1223903	(008000- ) Label, Instrument Panel, Rh, [Drago]	1
	28	1031665	(008000- ) Screw, Pan, M8 X 1.25 X 25, Blk	4
	29	1075003	(008000- ) Keychain, Rectangle, Parts & Service	1
	30	1223897	(008000- ) Plate, Instrument, Rh [Drago]	1
	31	398501	(010900- ) Plug, Hole, Rt, Rocker Switch, .87 X 1.7 (Wet Dust Control Only)	1
	32	70622	(008000- ) Boot, Bellows, 3.1l 4.4w 2.8h 1hole, Neo	1
	33	70623	(008000- ) Retainer, Boot, Steering Column	1
	34	72970	(008000- ) Rivet, Plstc, .250d X 0.90	4
	35	398501	(014001- ) Plug, Hole, Rt, Rocker Switch, .87 X 1.7	1
	36	1255914	(014001- ) Switch, Rocker [Mom,Off,Mom, Dual Led] (Detergent Me- tering Option Only)	1

**Fig. 7 - Seat Group**

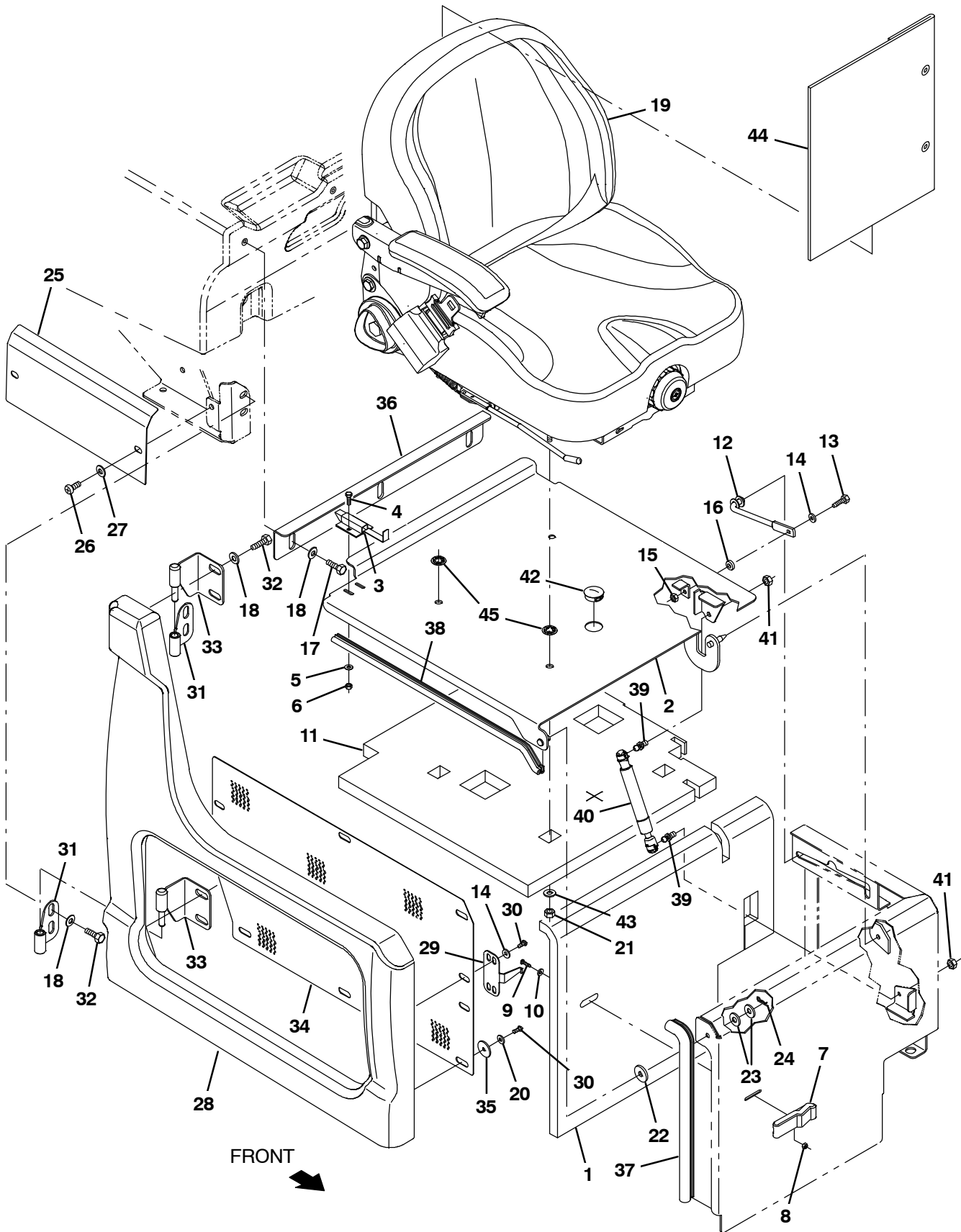


Fig. 7 – Seat Group

Ref.	Part No.	Serial Number	Description	Qty.
1	1034767	(008000–	) Insulation, Flame-retardant, 0.75–0.88	1
2	1019228	(008000–	) Plate Wldt, Seat	1
3	1025736	(008000–	) Latch	1
4	09252	(008000–	) Screw, Hex, M5 X 0.8 X 20, 8.8	2
5	19066	(008000–	) Washer, Flat, #10	2
6	06549	(008000–	) Nut, Hex, Lock, M5 X 0.8, NI	2
7	49800	(008000–	) Latch	1
8	02850	(008000–	) Nut, Hex, Lock, M4 X 0.7, NI	4
9	06929	(008000–	) Screw, Pan, M4 X 0.7 X 25, 4.8	4
10	19065	(008000–	) Washer, Flat, #08	2
11	1023499	(008000–	) Insulation, Flame-Retardant, 1.0	1
12	223080	(008000–	) Arm Wldt, Safety, Sppt, Seat, .38d 06.5d	1
13	06943	(008000–	) Screw, Hex, M6 X 1.0 X 20, 8.8	1
14	32483	(008000–	) Washer, Flat, 0.25 Sae	9
15	08708	(008000–	) Nut, Hex, Lock, M6 X 1.0, NI	1
16	21851	(008000–	) Spacer, Plstc, Ny	1
17	09740	(008000–	) Screw, Hex, M8 X 1.25 X 20, Ss	3
18	1017218	(008000–	) Washer, Flat, 0.32b 1.00d .12, Ss	11
19	9018721	(008000–	) Seat, Deluxe, Replmt [M20/T20/M30] (See Breakdowns)	1
20	19066	(008000–	) Washer, Flat, .25b 0.56d .05, PI, 10	6
21	32983	(008000–	) Nut, Hex, Lock, .31–18, NI	4
22	364749	(008000–	) Washer, Flat, 0.41b 1.25d .12, Pye	1
23	32492	(008000–	) Washer, Flat, 0.38 Std	2
24	08085	(008000–	) Pin, Cotter, Hair, 0.31d .058 Wir	1
25	1022005	(008000–	) Cover, Lower	1
26	1031665	(008000–	) Screw, Pan, M8 X 1.25 X 25, Blk	2
27	39349	(008000–	) Washer, Flat, 0.31 Sae	2
28	1018776	(008000–	) Shroud, Seat	1
29	1026825	(008000–	) Bracket, Latch, Shrd, Seat	1
30	09200	(008000–	) Screw, Pan, M5 X 0.8 X 12, Ss	8
31	1024464	(008000–	) Hinge Wldt, Shrd, Rh	2
32	16931	(008000–	) Screw, Hex, M8 X 1.25 X 20, 8.8	8
33	1024425	(008000–	) Hinge Wldt, Shrd, Rh	2
34	1025916	(008000–	) Grill, Side	1
35	41178	(008000–	) Washer, Flat, 0.25 Fendr	6
36	1020487	(008000–	) Bracket, Seat, Adj	1
37	1030588	(008000–	) Seal, Afmkt, Bulb, 90, 0.75d F/11ga 02ft	1
38	1031206	(008000–	) Seal, Afmkt, Bulb, 90, 0.50d, 02ft	1
39	58494	(008000–	) Stud, Ball, .39d .31–16, Gasspring	2
40	1258921	(008000–	) Gasspring, 135lb, 03.15strk	1
41	01760	(008000–	) Nut, Hex, Lock, .31–18, NI, Thin	2
42	76888	(008000–	) Plug, Hole, Rnd, 1.25H .03–.12, Blk Nyl	1
43	32491	(008000–	) Washer, Flat, 0.31, Std	4
44	68275	(008000–	) Pouch (OPTION)	1
45	1077073	(008000–	) Nut, Push, Bolt Retention, Stl,5/16 Thrd	4

**Fig. 8 - Steering Group**

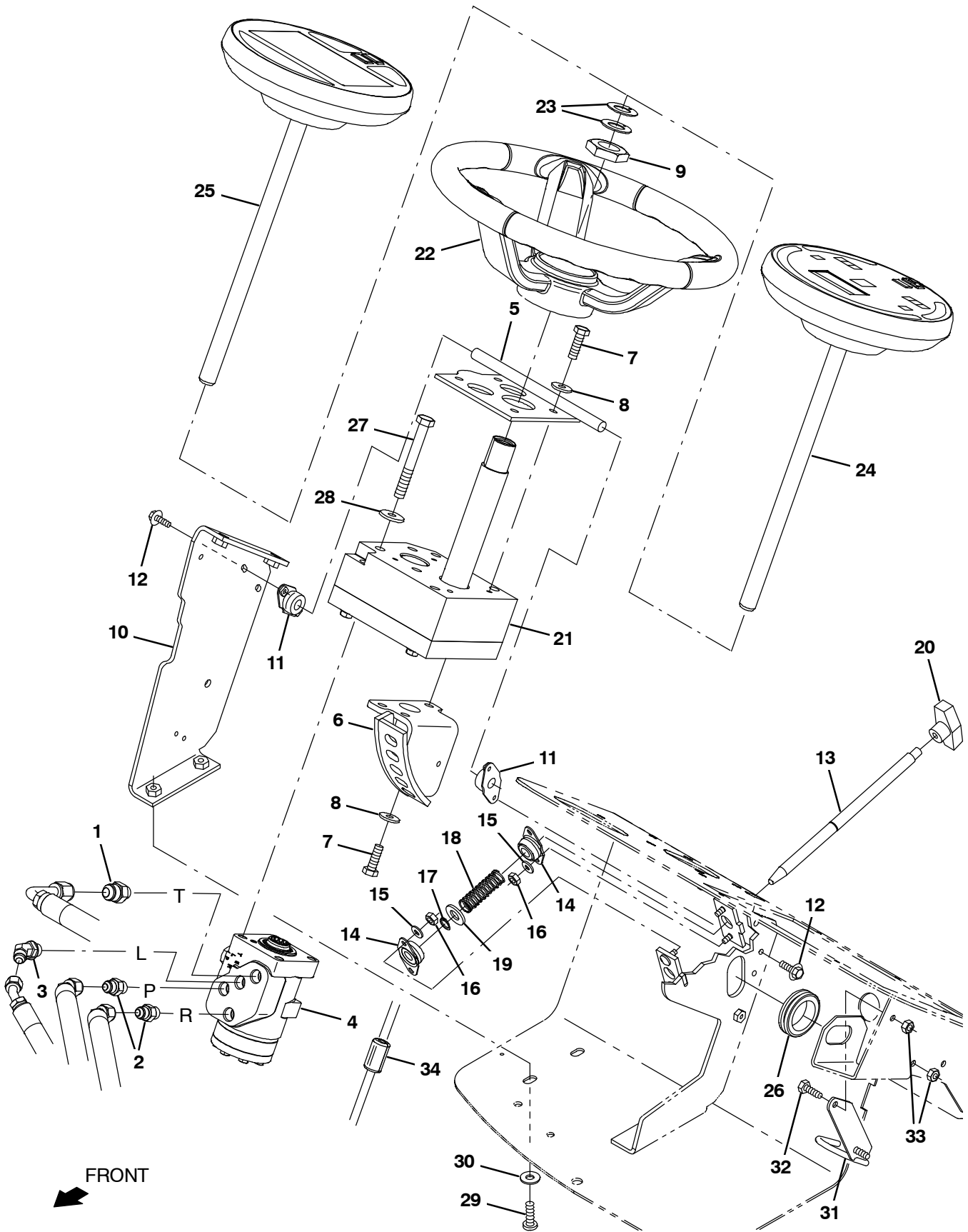


Fig. 8 - Steering Group

Ref.	Part No.	Serial Number	Description	Qty.
1	56835	(008000-	) Fitting, Hyd, Str, Jm08/Om06	1
2	56690	(008000-	) Fitting, Hyd, Str, Jm06/Om06	2
3	47522	(008000-	) Fitting, Hyd, E45, Jm06/Om06	1
4	1024260	(008000-	) Steer-Control, Hyd05, 06.1 2030 (See Breakdowns)	1
5	1223514	(008000-	) Plate, Wldt, Mtg, Housing	1
6	1232054	(008000-	) Bracket Wldt, Steering, Tilt	1
7	16931	(008000-	) Screw, Hex, M8 X 1.25 X 20, 8.8	7
8	32490	(008000-	) Washer, Flat, 0.25, Std	7
9	1059073	(008000-	) Nut, Hex, Jam, 1.12-12	1
10	1223511	(008000-	) Bracket Wldt, Steering, Tilt, Rh	1
11	70709	(008000-	) Bearing, Flng, 2hole, 0.50b	2
12	1036892	(008000-	) Screw, Hex, M6 X 1.00 X 25, 9.8, Sems	4
13	1223504	(008000-	) Pin, Locking, Steering, Tilt	1
14	47585	(008000-	) Bearing, Flng, 2hole, 0.50b [Nyl]	2
15	32483	(008000-	) Washer, Flat, 0.25, Sae	4
16	08708	(008000-	) Nut, Hex, Lock, M6 X 1.00, NI	4
17	70717	(008000-	) Ring, Retaining, Ext, 0.50d, Hd	1
18	22290	(008000-	) Spring, Cmpr, 0.72od .06wir 02.3l	1
19	32486	(008000-	) Washer, Flat, 0.53b 1.06d .10, Stl, PI	1
20	04706	(008000-	) Knob, Tee, 0.38-16, 2.5 X 1.0 1.1l,Plstc	1
21	9015636	(008000-	) Gearbox Kit, Steering, Afmkt[M20/30/T20] (See Breakdowns)	1
22	1056412	(008000-	) Wheel, Steering, 14.4d	1
23	04846	(008000-	) Washer, Thrust, 0.79b 1.42d 0.06[Garlok]	2
24	9015634	(008000-	) Panel Kit, Pod, Afmkt [Std, M20/M30]	1
25	9015633	(008000-	) Panel Kit, Pod, Afmkt [Pro, M20/M30/T20] (Pro-Panel Only)	1
26	10632-13	(008000-	) Grommet, Rbr, 1.50id, F/1.8h, .19 Matl	1
27	06965	(008000-	) Screw, Hex, M10 X 1.50 X 80, 8.8	4
28	13248	(008000-	) Washer, Flat, 0.40b 1.12d .12, Stl, PI	4
29	1031665	(008000-	) Screw, Pan, M8 X 1.25 X 25, Blk	6
30	32491	(008000-	) Washer, Flat, 0.31, Std	6
31	1230341	(010230-	) Bracket Wldt, Hose	1
32	08716	(010230-	) Screw, Hex, M6 X 1.00 X 20, Ss	1
33	08708	(010230-	) Nut, Hex, Lock, M6 X 1.00, NI	2
34	1213802	(014001-	) Inductor, Ferrite [Spit Case, 220@100hz]	1

Fig. 9 - Front Cover Group

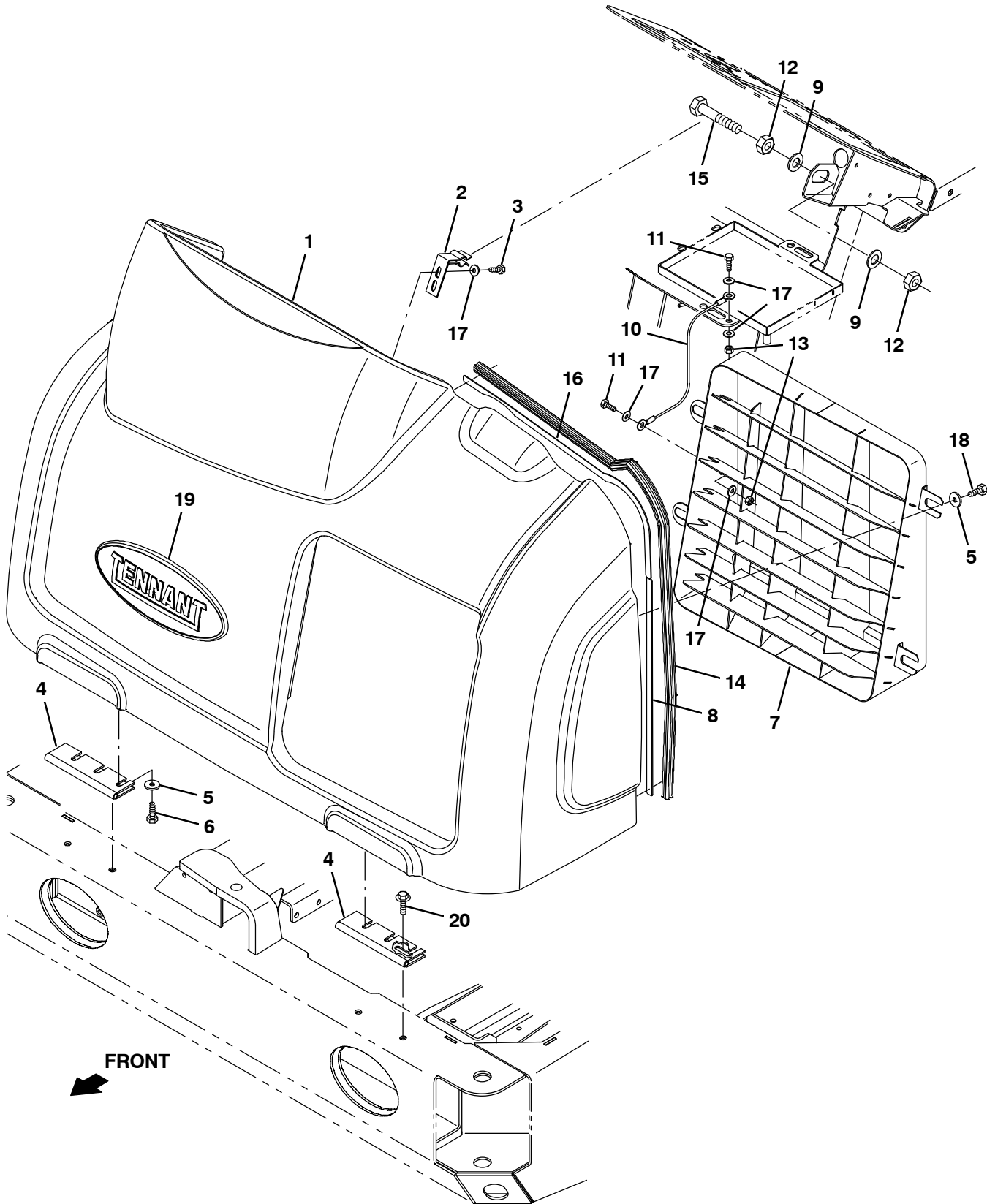


Fig. 9 – Front Cover Group

Ref.	Part No.	Serial Number	Description	Qty.
1	1022069	(008000–	) Shroud, Front, Trimmed	1
2	1008916	(008000–	) Bracket Wldt, Latch	1
3	06942	(008000–	) Screw, Hex, M6 X 1.0 X 16, 8.8	2
4	71941	(008000–	) Hinge, .38pin .11 3.5w 06.0l 6/0.38sl	2
5	1017218	(008000–	) Washer, Flat, 0.32b 1.00d .12, Ss	10
6	16931	(008000–	) Screw, Hex, M8 X 1.25 X 20, 8.8	6
7	1035068	(008000–	) Grill Wldt, Front	1
8	1037971	(008000–	) Strip Mtg, Seal	1
9	15331	(008000–	) Washer, Flat, 0.62 Sae	2
10	391368	(008000–	) Cable, Glv .09d 016.5l .38eye /.38eye	1
11	06943	(008000–	) Screw, Hex, M6 X 1.00 X 20, 8.8	2
12	07782	(008000–	) Nut, Hex, Std, M16 X 2.0	2
13	08708	(008000–	) Nut, Hex, Lock, M6 X 1.0, NI	2
14	1049919	(008000–	) Seal, Sponge, 0.88 1.00W 43.0L	1
15	06988	(008000–	) Screw, Hex, M16 X 2.0 X 90, 8.8	1
16	1037970	(008000–	) Strip Mtg, Seal	1
17	32490	(008000–	) Washer, Flat, 0.25, Std	6
18	16735	(008000–	) Screw, Hex, M8 X 1.25 X 16, 8.8	4
19	1214251	(008000–	) Nameplate, Tennant, Domed, 10 Inch	1
20	1037346	(008000–	) Screw, Hex, M8 X 1.25 X 25, 9.8, Sems	4

Fig. 10 – Engine Cover Group

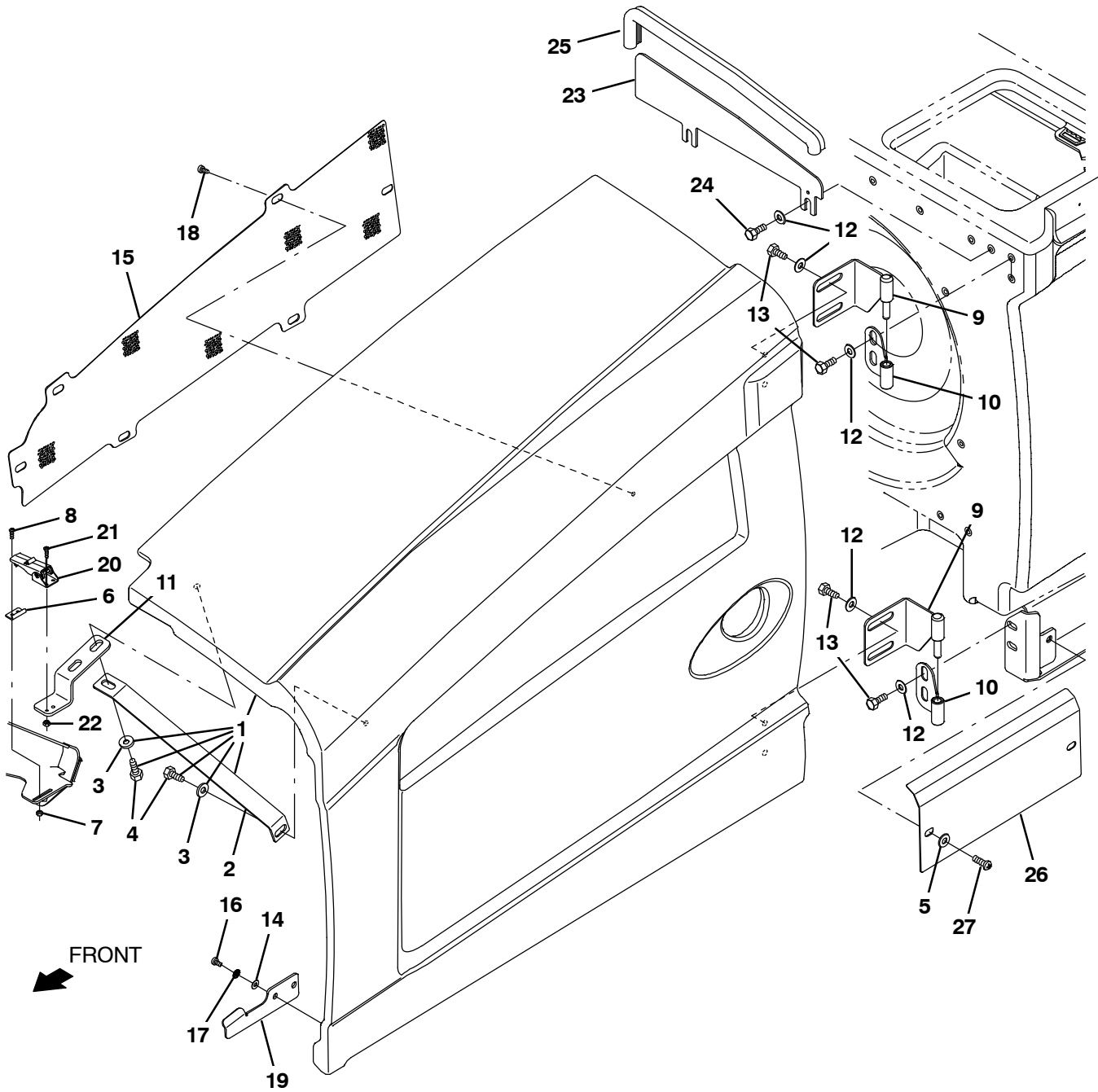




Fig. 10 - Engine Cover Group

	Ref.	Part No.	Serial Number	Description	Qty.
▽	1	1071439	(008000-	) Shroud Assy, Eng	1
▲	2	1026628	(008000-	) Angle, Brace, Shrd	1
▲	3	1017218	(008000-	) Washer, Flat, 0.32b 1.00d .12, Ss	2
▲	4	16931	(008000-	) Screw, Hex, M8 X 1.25 X 20, 8.8	2
	5	39349	(008000-	) Washer, Flat, 0.31 Sae	2
	6	384419	(008000-	) Bracket, Latch, Keeper [Southco]	1
	7	33932	(008000-	) Nut, Hex, Lock, M4 X 0.7, NI, Ss	2
	8	24265	(008000-	) Screw, Pan, M4 X 0.7 X 16, Ss	2
	9	1024500	(008000-	) Hinge Wldt, Shrd, Lh	2
	10	1025196	(008000-	) Hinge Wldt, Shrd, Lh	2
	11	1020186	(008000-	) Bracket, Latch, Cover	1
	12	1017218	(008000-	) Washer, Flat, 0.32b 1.00d .12, Ss	11
	13	16931	(008000-	) Screw, Hex, M8 X 1.25 X 20, 8.8	7
	14	41139	(008000-	) Washer, Lock, Int-Ext, 10	2
	15	1026726	(008000-	) Grill, Eng	1
	16	09200	(008000-	) Screw, Pan, M5 X 0.8 X 12, Ss	2
	17	19066	(008000-	) Washer, Flat, #10	2
	18	222267	(008000-	) Screw, Pan, Phl, 06-20 X 0.50, Fmg/Ab	6
	19	1028412	(008000-	) Bracket, Guide, Shrd	1
	20	1222018	(008000-	) Latch, Door, Yellow	1
	21	06927	(008000-	) Screw, Pan, M4 X 0.7 X 16, 4.8	2
	22	02850	(008000-	) Nut, Hex, Lock, M4 X 0.7, NI	2
	23	1025806	(008000-	) Plate, Seal, Sound	1
	24	09740	(008000-	) Screw, Hex, M8 X 1.25 X 20, Ss	2
	25	1030588	(008000-	) Seal, Afrmkt, Bulb, 90, 0.75d F/11ga 02ft	2
	26	1022005	(008000-	) Cover, Lower	1
	27	1031665	(008000-	) Screw, Pan, M8 X 1.25 X 25, Blk	2

**Fig. 11 – Mitsubishi Engine and Mount Group, Gas**

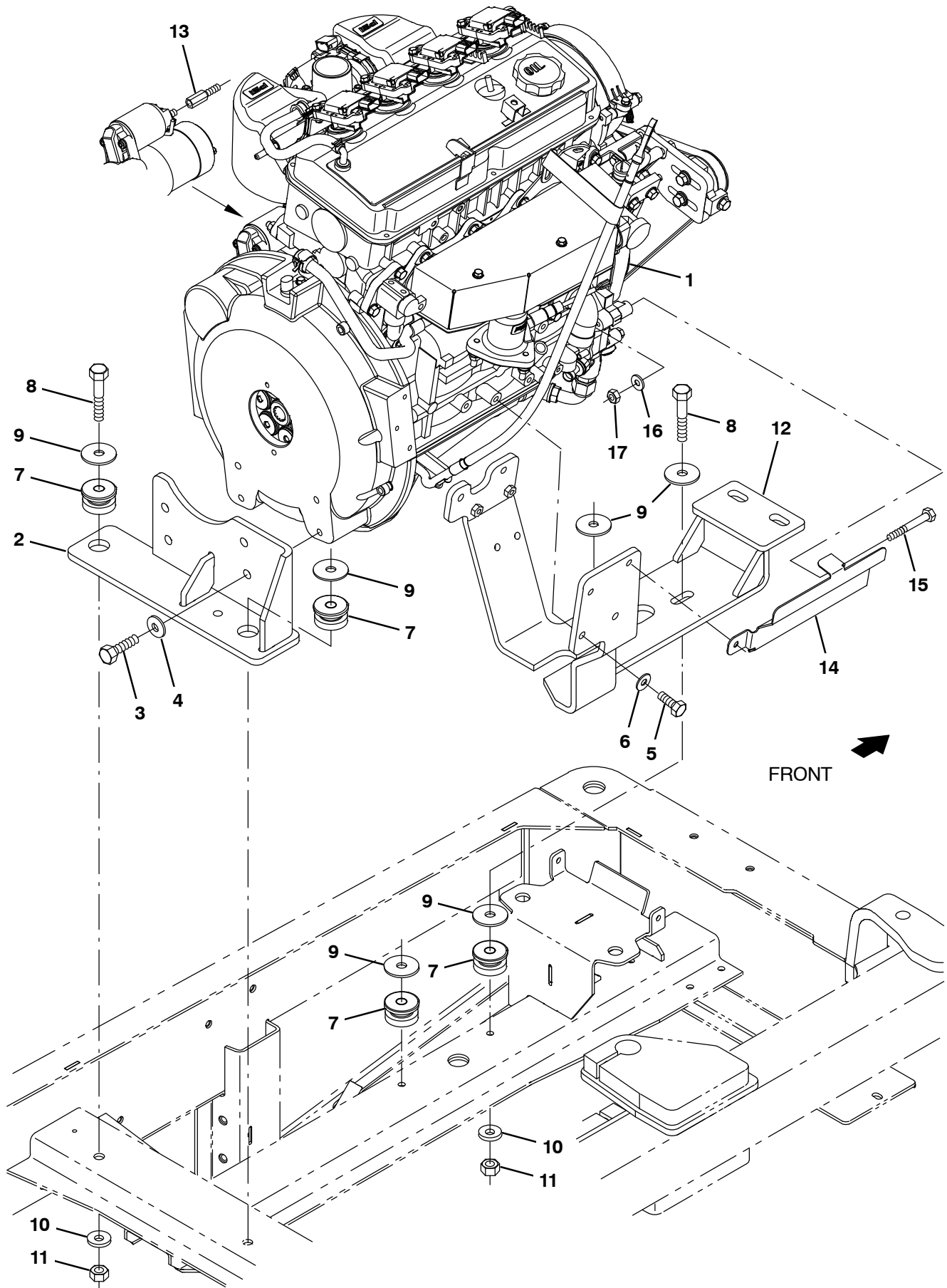


Fig. 11 – Mitsubishi Engine and Mount Group, Gas

Ref.	Part No.	Serial Number	Description	Qty.
1	9014202	(008000–	) Engine, Block, Long [Mits 12mm] (See Engine Breakdown)	1
	393982	(008000–	) Element, Fltr, Oil, Spin-On (Mits)	1
2	1070756	(008000–	) Bracket Wldt, Mtg, Eng, Rear [Mit 2013]	1
3	41346	(008000–	) Screw, Hex, M12 X 1.75 X 30, 8.8	4
4	32486	(008000–	) Washer, Flat, 0.50 Sae	4
5	07299	(008000–	) Screw, Hex, M10 X 1.25 X 25, 8.8	6
6	32492	(008000–	) Washer, Flat, 0.38 Std	6
7	51176	(008000–	) Isolator, Vib, .50d	4
8	06972	(008000–	) Screw, Hex, M12 X 1.75 X 60, 8.8	4
9	04414	(008000–	) Washer, Flat, 0.53b 1.88d .12, Stl, PI	4
10	32493	(008000–	) Washer, Flat, 0.50 Std	3
11	08711	(008000–	) Nut, Hex, Lock, M12 X 1.75, NI	3
12	1070751	(008000–	) Bracket Wldt, Mtg, Engine [Mit 2013]	1
13	1072669	(008000–	) Stand-Off, Hex, M8 X M8, Metal	1
14	1258789	(008000–	) Plate, Guard, Hose, Hyd, Steering	1
15	39281	(008000–	) Screw, Hex, M8 X 1.25 X 90, 8.8	1
16	32491	(008000–	) Washer, Flat, 0.31, Std	1
17	08709	(008000–	) Nut, Hex, Lock, M8 X 1.25, NI	1

Fig. 12 - Mitsubishi Engine and Mount Group, LPG

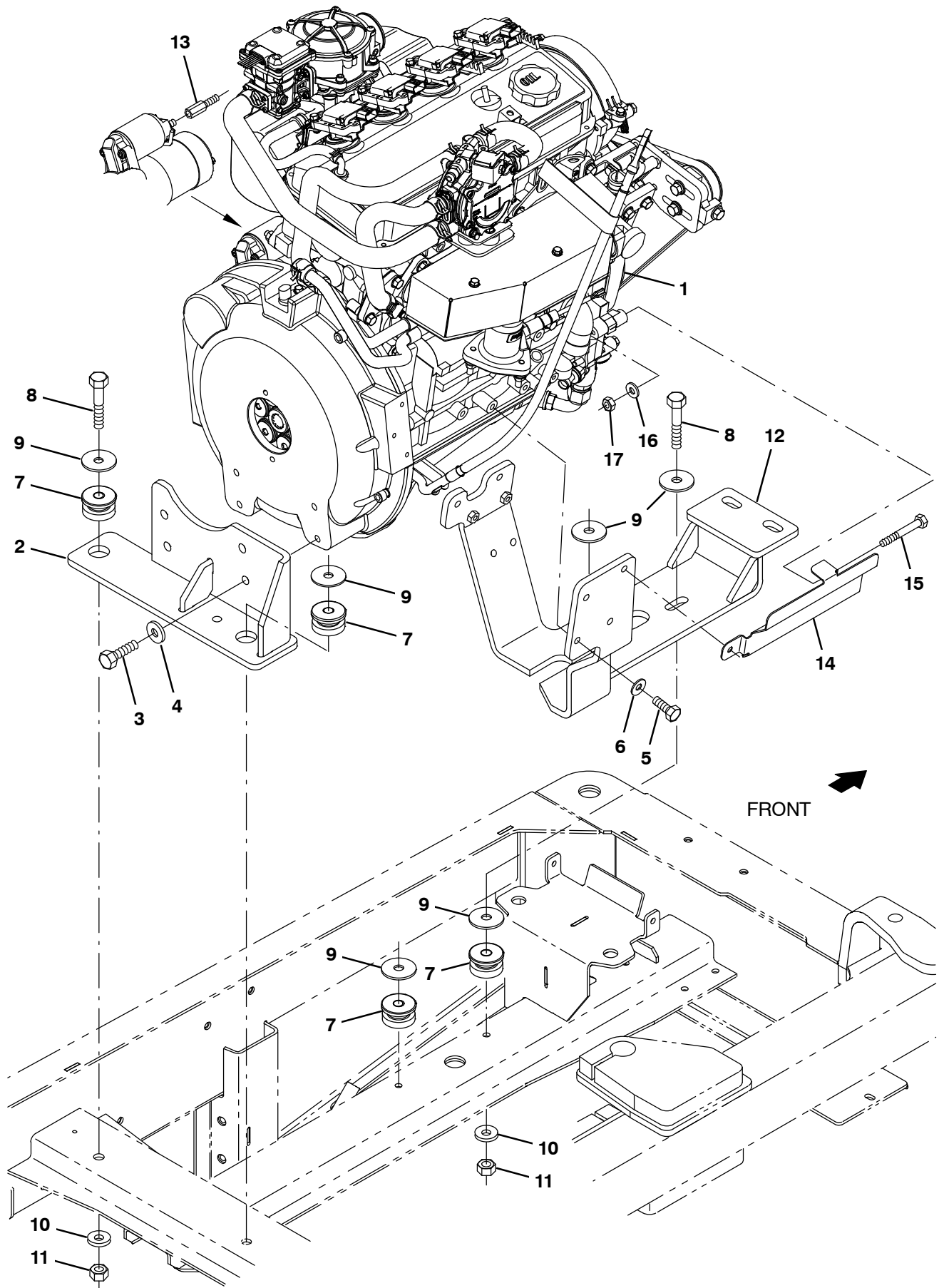


Fig. 12 – Mitsubishi Engine and Mount Group, LPG

Ref.	Part No.	Serial Number	Description	Qty.
1	9014202	(008000–	) Engine, Block, Long [Mits 12mm] (See Engine Breakdown)	1
	393982	(008000–	) Element, Fltr, Oil, Spin-On (Mits)	1
2	1070756	(008000–	) Bracket Wldt, Mtg, Eng, Rear [Mit 2013]	1
3	41346	(008000–	) Screw, Hex, M12 X 1.75 X 30, 8.8	4
4	32486	(008000–	) Washer, Flat, 0.50 Sae	4
5	07299	(008000–	) Screw, Hex, M10 X 1.25 X 25, 8.8	6
6	32492	(008000–	) Washer, Flat, 0.38 Std	6
7	51176	(008000–	) Isolator, Vib, .50d	4
8	06972	(008000–	) Screw, Hex, M12 X 1.75 X 60, 8.8	4
9	04414	(008000–	) Washer, Flat, 0.53b 1.88d .12, Stl, PI	4
10	32493	(008000–	) Washer, Flat, 0.50 Std	3
11	08711	(008000–	) Nut, Hex, Lock, M12 X 1.75, NI	3
12	1070751	(008000–	) Bracket Wldt, Mtg, Engine [Mit 2013]	1
13	1072669	(008000–	) Stand-Off, Hex, M8 X M8, Metal	1
14	1258789	(008000–	) Plate, Guard, Hose, Hyd, Steering	1
15	39281	(008000–	) Screw, Hex, M8 X 1.25 X 90, 8.8	1
16	32491	(008000–	) Washer, Flat, 0.31, Std	1
17	08709	(008000–	) Nut, Hex, Lock, M8 X 1.25, NI	1

**Fig. 13 – Mitsubishi Engine EFI Group, Gasoline**

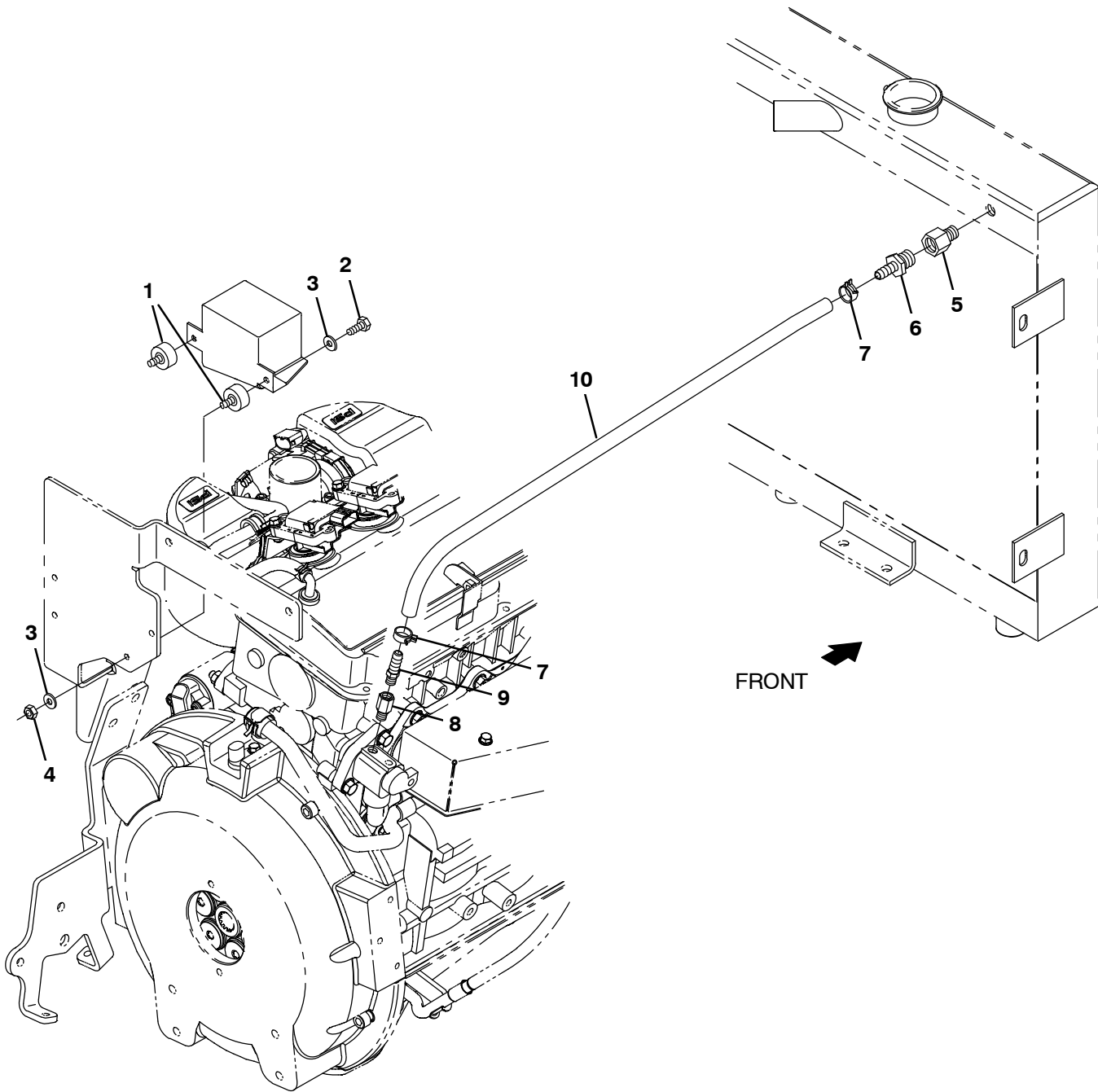


Fig. 13 – Mitsubishi Engine EFI Group, Gasoline

Ref.	Part No.	Serial Number	Description	Qty.
1	372470	(008000–	) Isolator, Box, Relay	2
2	19315	(008000–	) Screw, Hex, .25–20 X 0.50, G5	2
3	32490	(008000–	) Washer, Flat, 0.25, Std	4
4	19312	(008000–	) Nut, Hex, Std, .25–20	2
5	1071440	(008000–	) Fitting, Brs, Str, Pf06/Pm04	1
6	36159	(008000–	) Fitting, Brs, Str, Bm06/Pm06	1
7	1072559	(008000–	) Clamp, Hose, Spring Stl, 0.58d X 0.31w	2
8	1071502	(008000–	) Fitting, Brs, Str, Pf02/Pm02 [Bspt]	1
9	1055552	(008000–	) Fitting, Brs, Str, Bm06/Pm02	1
10	1072408	(008000–	) Hose, Afmkt, Rbr, Heater, 0.38id, 03ft	1

**Fig. 14 – Mitsubishi Engine EFI Group, LPG**

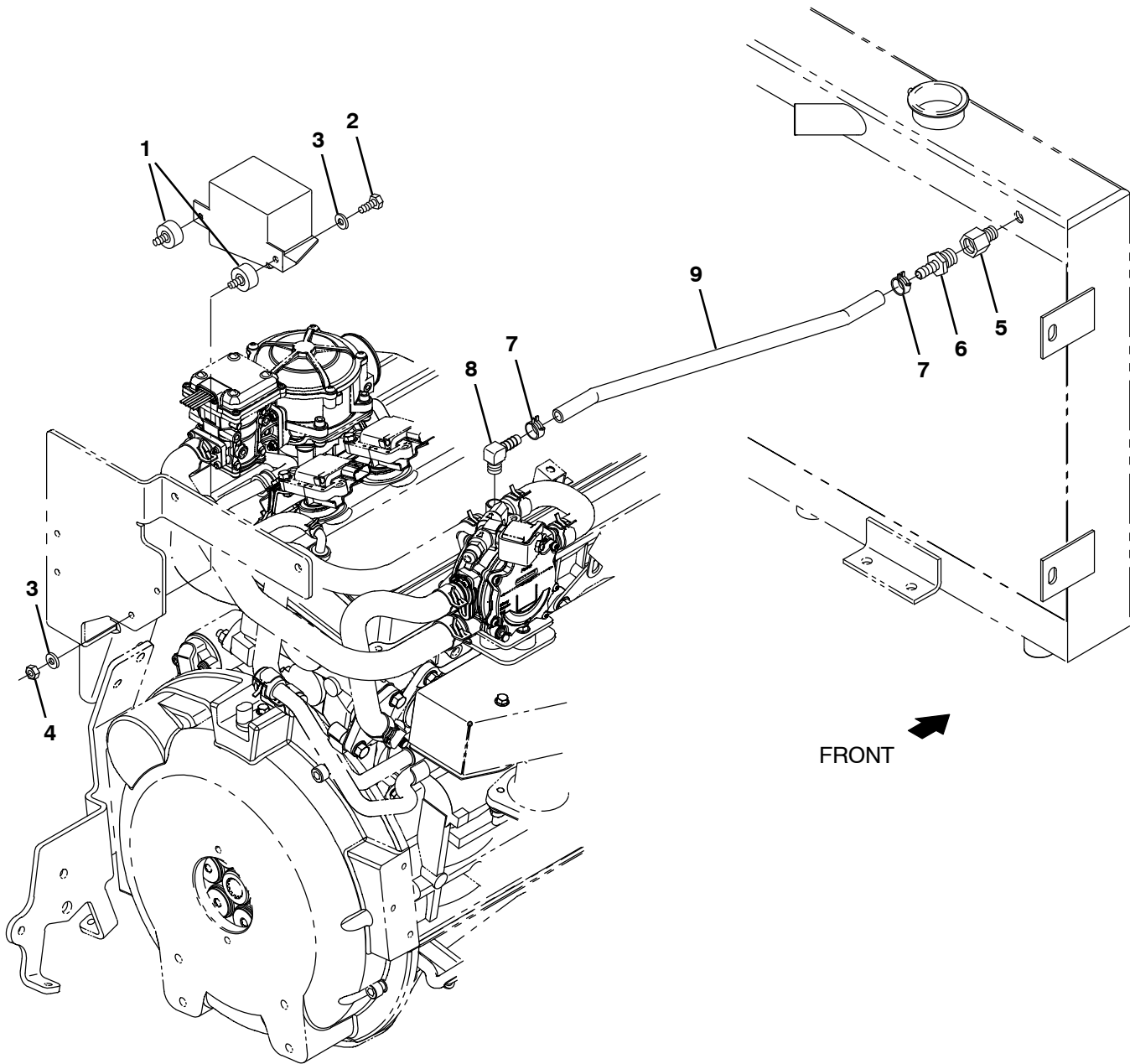




Fig. 14 – Mitsubishi Engine EFI Group, LPG

Ref.	Part No.	Serial Number	Description	Qty.
1	372470	(008000–	) Isolator, Box, Relay	2
2	19315	(008000–	) Screw, Hex, .25–20 X 0.50, G5	2
3	32490	(008000–	) Washer, Flat, 0.25, Std	4
4	19312	(008000–	) Nut, Hex, Std, .25–20	2
5	1071440	(008000–	) Fitting, Brs, Str, Pf06/Pm04	1
6	36159	(008000–	) Fitting, Brs, Str, Bm06/Pm06	1
7	1072559	(008000–	) Clamp, Hose, Spring Stl, 0.58d X 0.31w	2
8	1015815	(008000–	) Fitting, Brs, E90, Bm06/Pm04	1
9	1072408	(008000–	) Hose, Afmkt, Rbr, Heater, 0.38id, 03ft	1

Fig. 15 – Mitsubishi Engine Air Cleaner Group, Gasoline

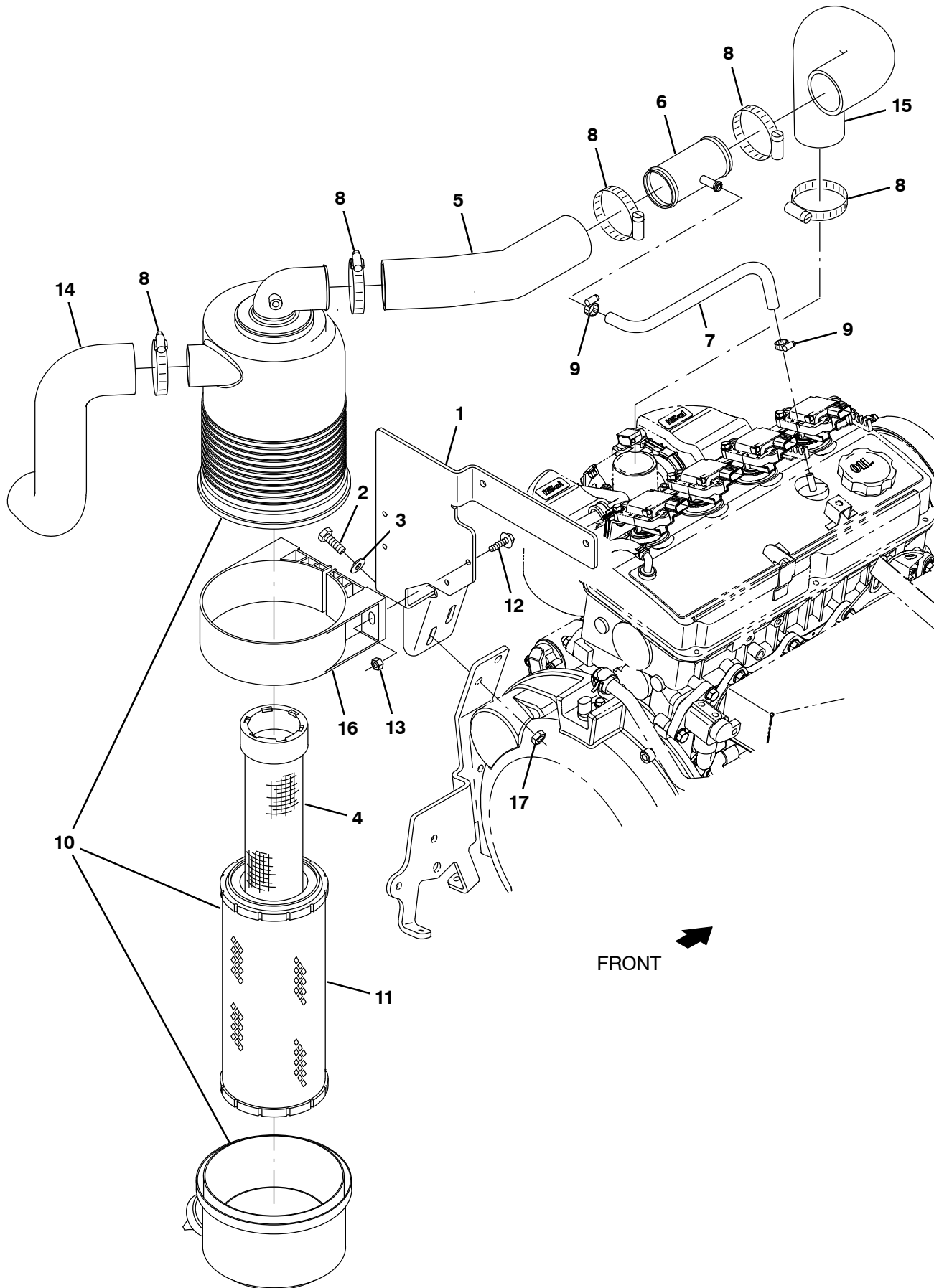


Fig. 15 – Mitsubishi Engine Air Cleaner Group, Gasoline

Ref.	Part No.	Serial Number	Description	Qty.	
1	1070822	(008000–	) Bracket, Mtg, Fltr, Air [Mit 2013]	1	
2	39277	(008000–	) Screw, Hex, M8 X 1.25 X 25, 8.8	2	
3	32491	(008000–	) Washer, Flat, 0.31, Std	2	
4	398279	(008000–	) Element, Fltr, Air, Safety (OPTION)	1	
5	1070788	(008000–	) Hose, Intake, Mold [Epdm Mit 2013]	1	
6	1070833	(008000–	) Tube Wldt, Tee [Mit 2013]	1	
7	381391	(008000–	) Hose, Drain, Overflow, Radiator [1pick=1ft]	1	
8	14432	(008000–	) Clamp, Hose, Wormdrive, 1.81–2.75d, .50w	5	
9	54333	(008000–	) Clamp, Hose, Wormdrive, 0.31–0.88d, .31w	2	
▽	10	369745	(008000–	) Filter Assy, Air	1
▲	11	369746	(008000–	) Element, Fltr, Air [Dn]	1
	12	1036892	(008000–	) Screw, Hex, M6 X 1.00 X 25, 9.8 Sems	2
	13	08708	(008000–	) Nut, Hex, Lock, M6 X 1.00, NI	2
	14	1020949	(008000–	) Hose, Intake, Mold, 2.00id [Epdm]	1
	15	1071404	(008000–	) Hose, Intake, Mold, Gas [Epdm Mit 2013]	1
	16	369747	(008000–	) Clamp, Mtg, Fltr, Air	1
	17	08709	(008000–	) Nut, Hex, Lock, M8 X 1.25, NI	2

**Fig. 16 – Mitsubishi Engine Air Cleaner Group, LPG**

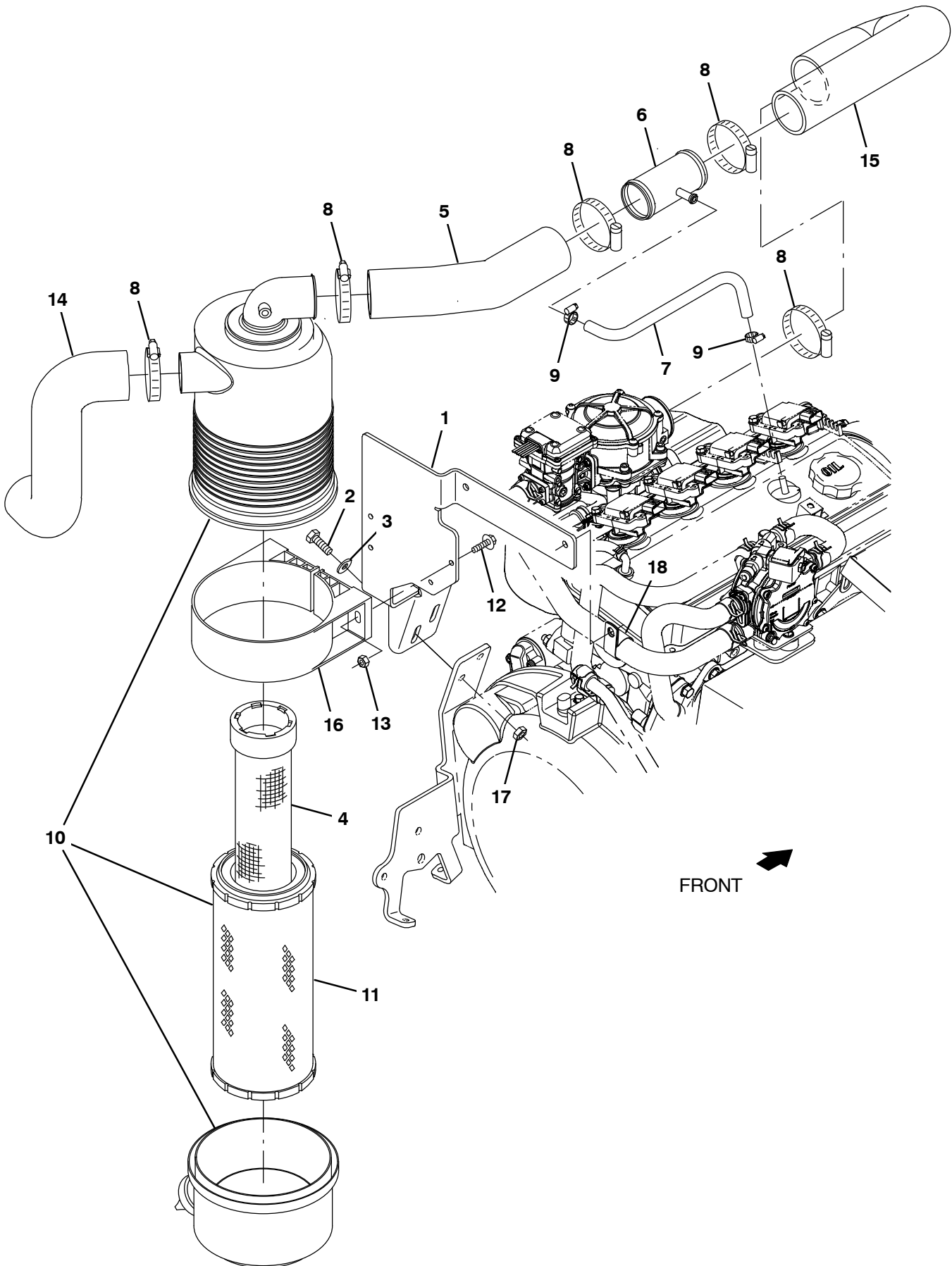


Fig. 16 – Mitsubishi Engine Air Cleaner Group, LPG

Ref.	Part No.	Serial Number	Description	Qty.	
1	1070822	(008000–	) Bracket, Mtg, Fltr, Air [Mit 2013]	1	
2	39277	(008000–	) Screw, Hex, M8 X 1.25 X 25, 8.8	2	
3	32491	(008000–	) Washer, Flat, 0.31, Std	2	
4	398279	(008000–	) Element, Fltr, Air, Safety (OPTION)	1	
5	1070788	(008000–	) Hose, Intake, Mold [Epdm Mit 2013]	1	
6	1070833	(008000–	) Tube Wldt, Tee [Mit 2013]	1	
7	381391	(008000–	) Hose, Drain, Overflow, Radiator [1pick=1ft]	1	
8	14432	(008000–	) Clamp, Hose, Wormdrive, 1.81–2.75d, .50w	5	
9	54333	(008000–	) Clamp, Hose, Wormdrive, 0.31–0.88d, .31w	2	
▽	10	369745	(008000–	) Filter Assy, Air	1
▲	11	369746	(008000–	) Element, Fltr, Air [Dn]	1
	12	1036892	(008000–	) Screw, Hex, M6 X 1.00 X 25, 9.8 Sems	2
	13	08708	(008000–	) Nut, Hex, Lock, M6 X 1.00, NI	2
	14	1020949	(008000–	) Hose, Intake, Mold, 2.00id [Epdm]	1
	15	1070787	(008000–	) Hose, Intake, Mold, Lpg [Epdm Mit2013]	1
	16	369747	(008000–	) Clamp, Mtg, Fltr, Air	1
	17	08709	(008000–	) Nut, Hex, Lock, M8 X 1.25, NI	2
	18	69234	(008000–	) Clamp, Cable, Stl, 1.00d X 0.75w, 1hole	1

**Fig. 17 – Mitsubishi Engine Alternator and Fan Group**

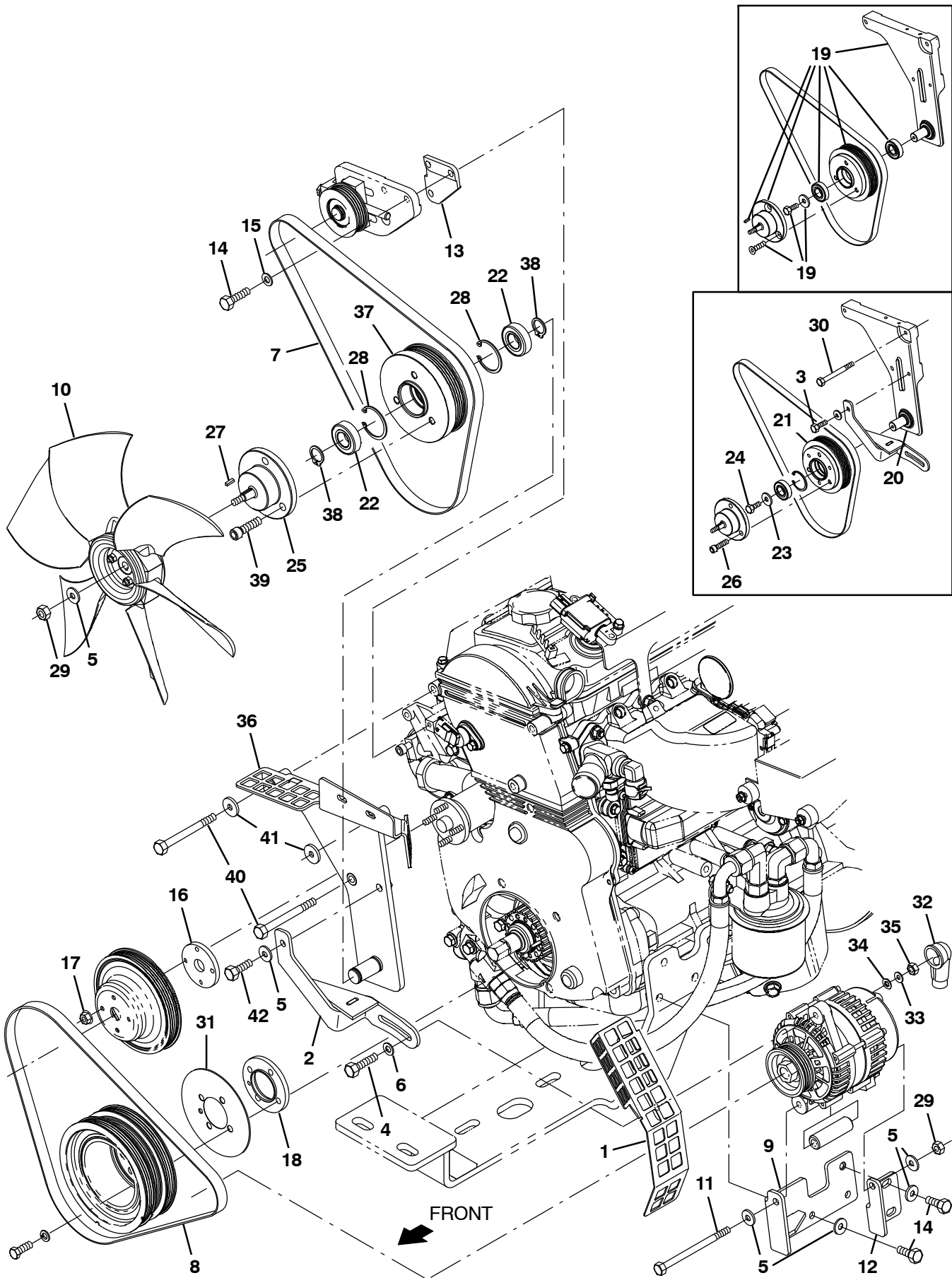


Fig. 17 – Mitsubishi Engine Alternator and Fan Group

Ref.	Part No.	Serial Number	Description	Qty.
1	1071727	(008000– )	Guard, Fan, Side	1
2	1070890	(008000– )	Arm Wldt, Alternator [Mit 2013]	1
3	16931	(008000–012313 )	Screw, Hex, M8 X 1.25 X 20, 8.8	1
4	04375	(008000– )	Screw, Hex, M8 X 1.25 X 40, 8.8, FI	1
5	32491	(008000– )	Washer, Flat, 0.31, Std	7
6	41186	(008000– )	Washer, Flat, Belleville, .31	1
7	1071144	(008000– )	Belt, Ribbed, Fan, 42.13l	1
8	1071145	(008000– )	Belt, Ribbed, Alternator, 41.5l	1
9	1070764	(008000– )	Bracket Wldt, Alternator [Mit13]	1
10	1031566	(008000– )	Fan, Cooling, 14.1d, 6 Blade, 0.5b Taper	1
11	49883	(008000– )	Screw, Hex, M8 X 1.25 X 120, 8.8, FI	1
12	1070619	(008000– )	Bracket, Mtg, Alternator [Mit 2013]	1
13	1071107	(008000– )	Block, Spacer	1
14	76570	(008000– )	Screw, Hex, M8 X 1.25 X 30, 8.8	5
15	39349	(008000– )	Washer, Flat, 0.31, Sae	2
16	1071108	(008000– )	Spacer, Pump, Water	1
17	07790	(008000– )	Nut, Hex, Flng, M6 X 1.00	4
18	1071110	(008000– )	Spacer, Crankshaft	1
19	9021787	(008000–010387 )	Repair Kit, Sheave	1
20	1073529	(010388–012313 )	Plate Wldt, Shaft, Fan [Shaft Extended]	1
21	1070426	(010388–012313 )	Sheave, Mach [Mit 2615rpm Fan]	1
22	1055377	(010388– )	Bearing, Ball, 20mm B 42mm D 12mm W	2
23	1017218	(010388–012313 )	Washer, Flat, 0.32b 1.00d .12, Ss	1
24	16735	(010388–012313 )	Screw, Hex, M8 X 1.25 X 16, 8.8	1
25	1070431	(010388– )	Spacer, Fan, Taper [Mit 2013]	1
26	10831	(010388–012313 )	Screw, Soc, .38–16 X 1.25, Al	3
27	00960	(010388– )	Key, Sq, 0.12 X 0.12, 0.50l	1
28	1074849	(010388– )	Ring, Retaining, Int, 42mm	2
29	08709	(008000– )	Nut, Hex, Lock, M8 X 1.25, NI	2
30	39281	(008000– )	Screw, Hex, M8 X 1.25 X 90, 8.8	3
31	1072421	(008000– )	Plate, Shield, Dust	1
32	1016314	(008000– )	Boot, Bulb, .50id 1.00id 2.50l, Red	1
33	19066	(008000– )	Washer, Flat, 0.25b 0.56d .05, Pl, 10	1
34	32982	(008000– )	Washer, Lock, Int, 0.25	1
35	08708	(008000– )	Nut, Hex, Lock, M6 X 1.00, NI	1
36	1257706	(012314– )	Plate Wldt, Shaft, Fan	1
37	1257986	(012314– )	Sheave, Mach	1
38	1025121	(012314– )	Ring, Retaining, Shaft, Ext, 20mmd, Hd	2
39	41358	(012314– )	Screw, Soc, M10 X 1.50 X 35, 12.9	1
40	06959	(012314– )	Screw, Hex, M8 X 1.25 X 100, 8.8	3
41	1017218	(012314– )	Washer, Flat, 0.32b 1.00d .12, Ss	2
42	39277	(012314– )	Screw, Hex, M8 X 1.25 X 25, 8.8	1

Fig. 18 – Mitsubishi Engine Muffler Group

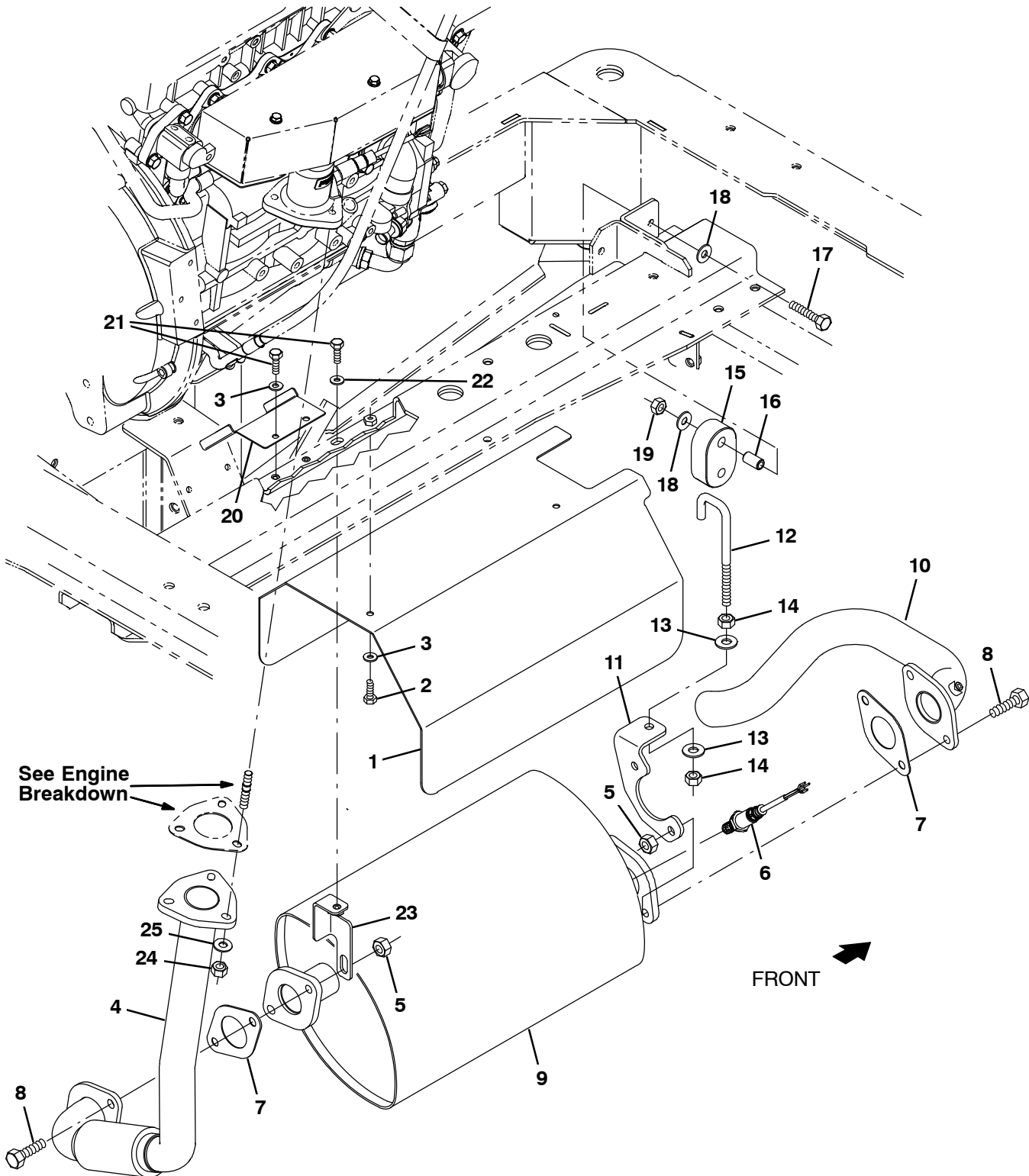




Fig. 18 – Mitsubishi Engine Muffler Group

Ref.	Part No.	Serial Number	Description	Qty.
1	1028994	(008000–	) Channel, Shield, Muffler [M20/T20 2007]	1
2	08716	(008000–	) Screw, Hex, M6 X 1.0 X 20, Ss	2
3	32483	(008000–	) Washer, Flat, 0.25, Sae	4
4	9013159	(008000–	) Pipe Kit, Exhaust, Replmt [Mako Mitsu]	1
5	08166	(008000–	) Nut, Hex, M10 X 1.50 [Stover]	4
6	1028558	(008000–	) Sensor, Oxygen	1
7	1011216	(008000–	) Gasket, Exhaust, 2hole, 3.4bc	2
8	39284	(008000–	) Screw, Hex, M10 X 1.5 X 35, 8.8	4
9	1071376	(008000–	) Muffler, Catalytic [Mit 2.0l 2013]	1
10	1028753	(008000–	) Tube, Exhaust, Flng, 1.5d [M20/T20 2007]	1
11	1028929	(008000–	) Bracket, Mtg, Muffler [M20/T20 2007]	1
12	1013117	(008000–	) Rod, Hanger, Isolator	1
13	32492	(008000–	) Washer, Flat, 0.38, Std	2
14	25014	(008000–	) Nut, Hex, Std, .38–16	2
15	1013031	(008000–	) Isolator, Rbr	1
16	222496	(008000–	) Sleeve, P/M, 0.31b 0.50d 0.9l [430ss]	1
17	222505	(008000–	) Screw, Hex, M8 X 1.25 X 45, Ss	1
18	01685	(008000–	) Washer, Flat, 0.38b 0.88d .08, Ss	2
19	08713	(008000–	) Nut, Hex, Lock, M8 X 1.25, NI, Ss	1
20	1071418	(008000–	) Shield, Tray, Drip [Mit 2013]	1
21	06943	(008000–	) Screw, Hex, M6 X 1.00 X 20, 8.8	3
22	32490	(008000–	) Washer, Flat, 0.25, Std	1
23	1071113	(008000–	) Bracket, Muffler	1
24	08165	(008000–	) Nut, Hex, Stover, M8	3
25	39349	(008000–	) Washer, Flat, 0.31, Sae	3

Fig. 19 – Mitsubishi Engine Radiator and Mount Group

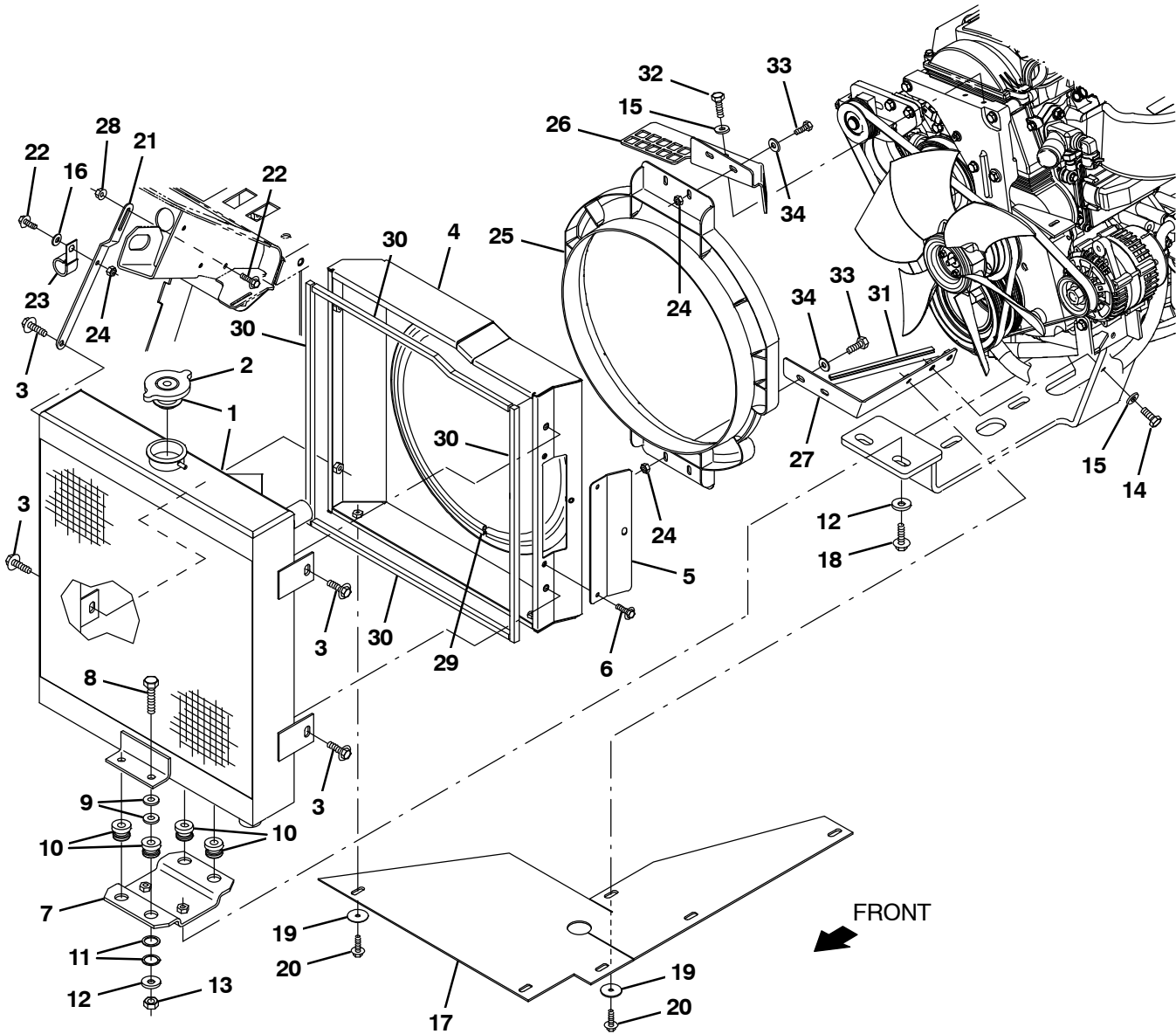


Fig. 19 – Mitsubishi Engine Radiator and Mount Group

Ref.	Part No.	Serial Number	Description	Qty.
▽	1	1249770	(008000– ) Radiator, W/Hyd Cooler [Afmkt]	1
▲	2	1045764	(008000– ) Cap, Radiator, 14Psi [Stant]	1
	3	1037346	(008000– ) Screw, Hex, M8 X 1.25 X 25, 9.8, Sems	4
	4	9010096	(008000– ) Shrd Wldt,Fan,G/Lp, Replmt [M20/M30/T20]	1
	4	9010097	(008000– ) Shrd Wldt,Fan,G/Lp, Replmt [TJ] (Japan Only)	1
	5	1070955	(008000– ) Plate, Door, Clean-Out [Mit2013]	1
	6	1036892	(008000– ) Screw, Hex, M6 X 1.00 X 25, 9.8 Sems	3
	7	1046962	(008000– ) Bracket, Mtg, Radiator	1
	8	06962	(008000– ) Screw, Hex, M10 X 1.50 X 45, 8.8	4
	9	32492	(008000– ) Washer, Flat, 0.38, Std	8
	10	54274	(008000– ) Isolator, Vib, Bshg, 1.1d 0.6l .4b 0.78h	4
	11	09832	(008000– ) Washer, Flat, 0.81b 1.06d .06, Stl	8
	12	1014563	(008000– ) Washer, Flat, 0.40b 1.12d .12, Ss	4
	13	41430	(008000– ) Nut, Hex, Lock, M10 X 1.5, NI	4
	14	39277	(008000– ) Screw, Hex, M8 X 1.25 X 25, 8.8	2
	15	32491	(008000– ) Washer, Flat, 0.31, Std	7
	16	32490	(008000– ) Washer, Flat, 0.25, Std	2
	17	1071785	(008000– ) Skirt, Eng Fan, Gas / Lp	1
	18	1037355	(008000– ) Screw, Hex, M8 X 1.25 X 35, 9.8, Sems	2
	19	41178	(008000– ) Washer, Flat, 0.25, Fendr	7
	20	1036892	(008000– ) Screw, Hex, M6 X 1.00 X 25, 9.8 Sems	7
	21	1019968	(008000– ) Bracket, Mtg, Radiator	1
	22	1040467	(008000– ) Screw, Hex, M6 X 1.00 X 20, 9.8, Sems	2
	23	30407	(008000– ) Clip, Keeper, Open	1
	24	08708	(008000– ) Nut, Hex, Lock, M6 X 1.00, NI	5
	25	1054428	(008000– ) Shroud, Fan	1
	26	1070434	(008000– ) Bracket, Shrd, Fan, Upper, Sppt, G/Lpg	1
	27	1070860	(008000– ) Bracket, Shrd, Fan, Lower, Sppt, G/Lpg	1
	28	07790	(008000– ) Nut, Hex, FIng, M6 X 1.00	1
	29	1048166	(008000– ) Seal, Afmkt, Bulb, Str, 0.58d 08ft	1
	30	1015205	(008000– ) Seal, Afmkt, Ure, Adh, 0.38, 0.38w 02ft	4
	31	57569	(008000– ) Molding, Trim, Pvc, .08–.11 06.8l	1
	32	16931	(008000– ) Screw, Hex, M8 X 1.25 X 20, 8.8	2
	33	06943	(008000– ) Screw, Hex, M6 X 1.00 X 20, 8.8	4
	34	32483	(008000– ) Washer, Flat, 0.25, Sae	4

**Fig. 20 – Mitsubishi Engine Radiator Hose Group**

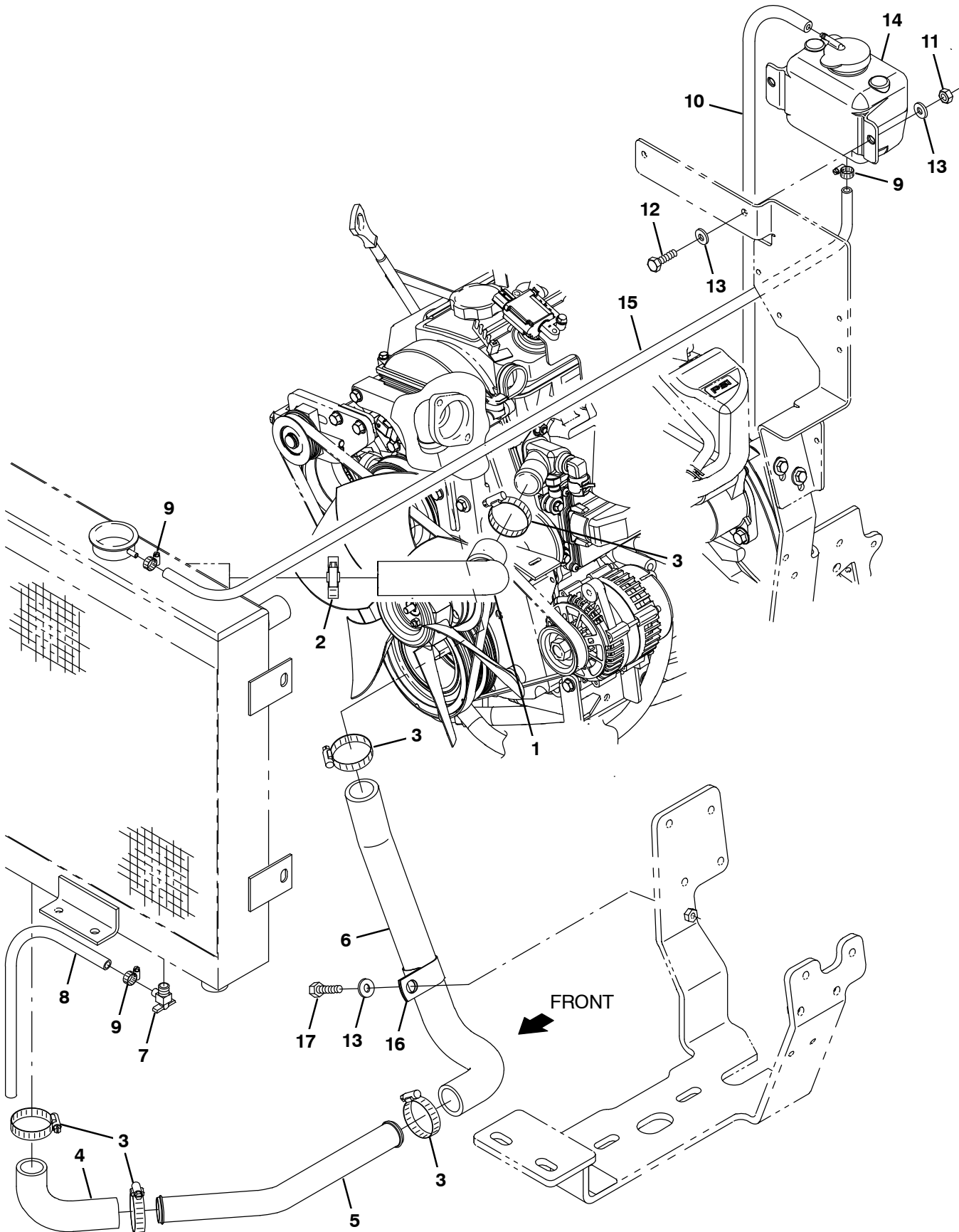


Fig. 20 – Mitsubishi Engine Radiator Hose Group

Ref.	Part No.	Serial Number	Description	Qty.
1	1070732	(008000–	) Hose, Coolant, Upper, Mold [Mit 2013]	1
2	22297	(008000–	) Clamp, Hose, Wormdrive, 1.56–2.50d, .50w	1
3	79381	(008000–	) Clamp, Hose, Wormdrive, 1.25–2.00d, .50w	5
4	1007482	(008000–	) Hose, Rbr, E90, 1.25id 1.25id 04.2 03.1	1
5	1071099	(008000–	) Tube, Coolant, 1.3d, Lower [Mit 2013]	1
6	9010904	(008000–	) Hose Kit, Coolant, Replmt [Mitsubishi}	1
7	51305	(008000–	) Fitting, Draincock, E90, .25npt	1
8	73471	(008000–	) Hose, Pvc, Clr, 0.38id 0.56od 022.0l	1
9	43844	(008000–	) Clamp, Hose, Wormdrive, 0.25–0.62d, .31w	3
10	87738	(008000–	) Hose, Fuel, 0.18id, 29.0l	1
11	08709	(008000–	) Nut, Hex, Lock, M8 X 1.25, NI	2
12	39277	(008000–	) Screw, Hex, M8 X 1.25 X 25, 8.8	2
13	32491	(008000–	) Washer, Flat, 0.31, Std	5
14	1054382	(008000–	) Tank, Coolant, 03.6w 04.1hi 05.5l, 1liter	1
15	1014843	(008000–	) Hose, Afmkt, Coolant Recvy, 05ft	1
16	53466	(008000–	) Clamp, Cable, Stl, 1.50d X 1.00w, 1hole	1
17	16931	(008000–	) Screw, Hex, M8 X 1.25 X 20, 8.8	1

**Fig. 21 – Engine Fuel Tank Group, Gasoline**

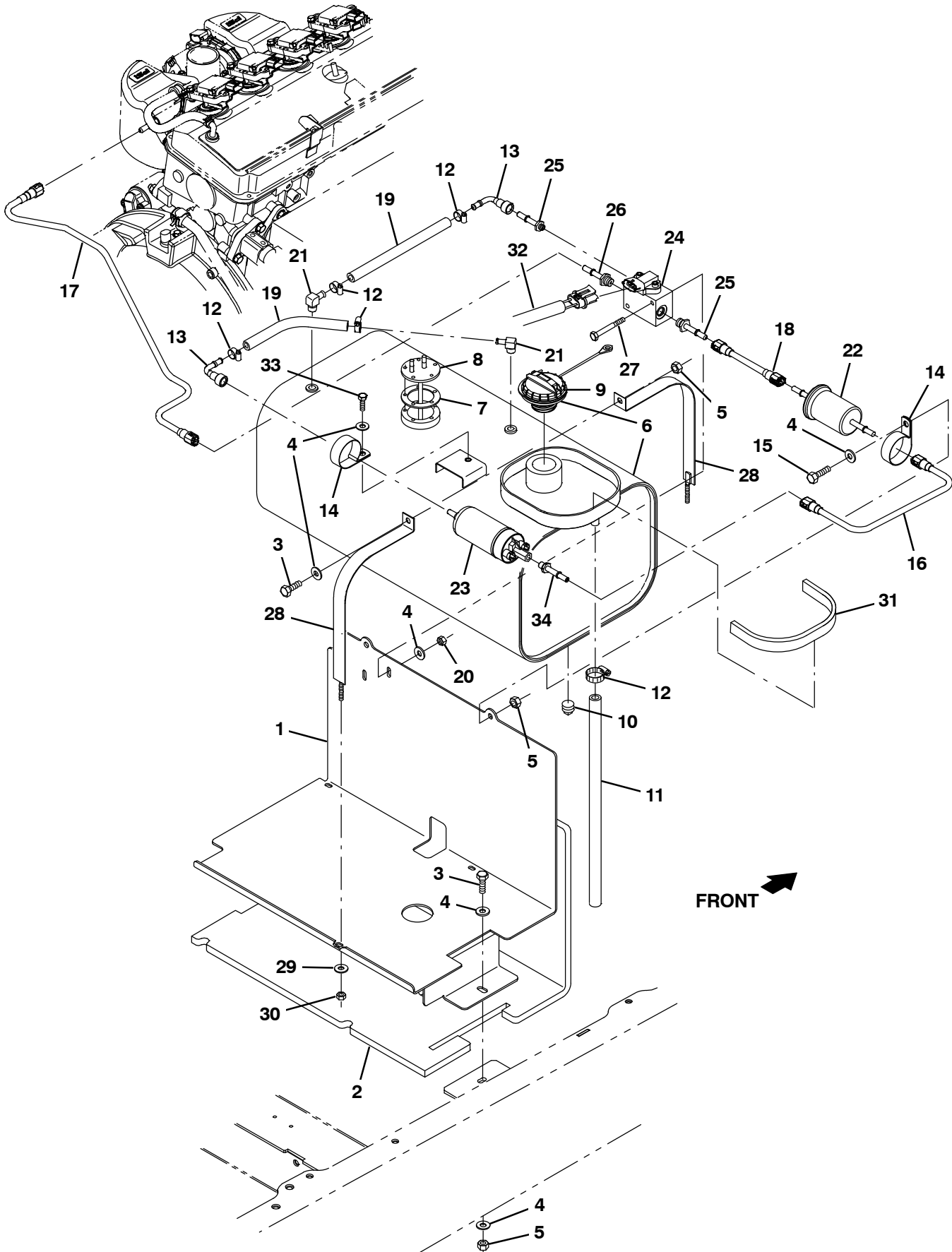


Fig. 21 – Engine Fuel Tank Group, Gasoline

Ref.	Part No.	Serial Number	Description	Qty.	
1	1026550	(008000–	) Tray Wldt, Fuel	1	
2	1026759	(008000–	) Insulation, Flame–Retardant, 0.5	1	
3	39277	(008000–	) Screw, Hex, M8 X 1.25 X 25, 8.8	3	
4	32491	(008000–	) Washer, Flat, 0.31, Std	7	
5	08709	(008000–	) Nut, Hex, Lock, M8 X 1.25, NI	4	
▽	6	9003610	(008000–	) Tank, Fuel, 11.2gal, Gas, Replmt [2007]	1
▲	7	1033897	(008000–	) Gasket, Sender, Fuel	1
▲	8	1033901	(008000–	) Send–Unit, Fuel [2007]	1
▲	9	1032812	(008000–	) Cap, Fuel, Tank	1
▲	10	48126	(008000–	) Fitting, Pipe, Plug, Pm02, Sq Head	1
	11	1023482	(008000–	) Hose, Fuel, 0.50id, 21.0l	1
	12	54333	(008000–	) Clamp, Hose, Wormdrive, 0.31–0.88d, .31w	5
	13	1013086	(008000–	) Connector, Fuel, Qf	2
	14	1011895	(008000–	) Clamp, Cable, Stl, 2.00d X 0.75w, 1hole	2
	15	06956	(008000–	) Screw, Hex, M8 X 1.25 X 45, 8.8	2
	16	1034676	(008000–	) Fuelline, .31d Str/Str,Plstc[M20/T20 07]	1
	17	1071388	(008000–	) Fuelline, .31d Str/Str, Plstc [Mit 2013]	1
	18	1012248	(008000–	) Fuelline, .31d Str/Str, Plstc	1
	19	1033746	(008000–	) Hose, Fuel, 0.31id [Evap Emission 07]	2
	20	08708	(008000–	) Nut, Hex, Lock, M6 X 1.00, NI	2
	21	9000355	(008000–	) Fitting, Brs, E90, Em05/Pm04	2
	22	372440	(008000–	) Filter, Fuel [Gm 1.6l/3.0l]	1
	23	9006592	(008000–	) Pump, Fuel	1
	24	1028924	(008000–	) Manifold, Gas, Relief, Valve	1
	25	1029293	(008000–	) Fitting, Fuel, Str, 0.56–18 [07 Eng]	2
	26	1029295	(008000–	) Fitting, Fuel, Str, 0.38–24 [07 Eng]	1
	27	06949	(008000–	) Screw, Hex, M6 X 1.0 X 50, 8.8	2
	28	1025229	(008000–	) Strap, Tank, Gas	2
	29	32483	(008000–	) Washer, Flat, 0.25, Sae	2
	30	32981	(008000–	) Nut, Hex, Lock, .25–20, NI	2
	31	62595–15	(008000–	) Molding, Trim, Pvc, .08–.11 13.2l	1
	32	385009	(008000–	) Harness, Manifold, Gas	1
	33	16931	(008000–	) Screw, Hex, M8 X 1.25 X 20, 8.8	1
	34	9019145	(008000–	) Fitting, Fuel, Str, M10x1.0	1

**Fig. 22 – Engine Fuel Tank Group, LPG**

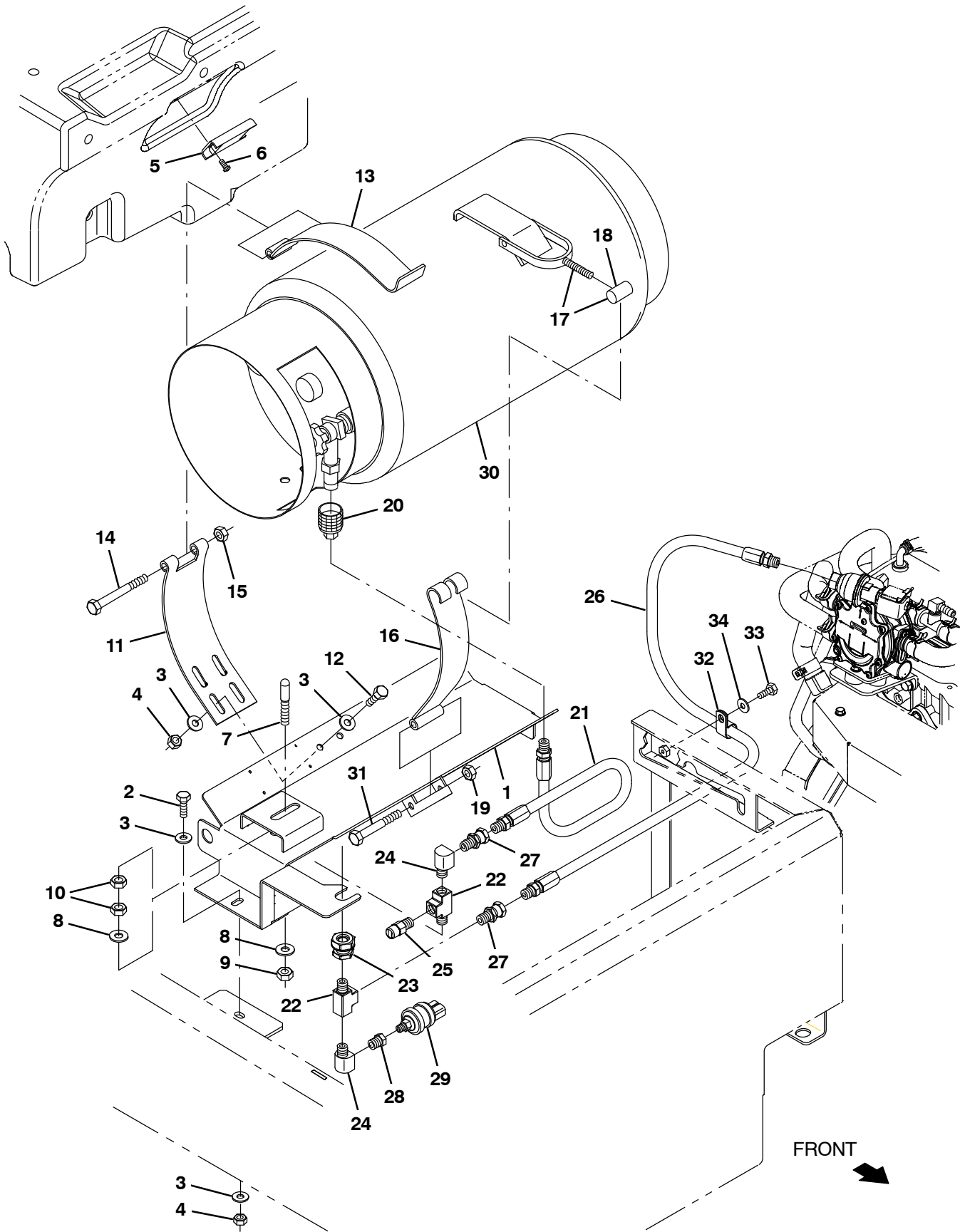




Fig. 22 – Engine Fuel Tank Group, LPG

Ref.	Part No.	Serial Number	Description	Qty.
1	1017947	(008000–	) Tray Wldt, Lpg	1
2	39277	(008000–	) Screw, Hex, M8 X 1.25 X 25, 8.8	2
3	32491	(008000–	) Washer, Flat, 0.31, Std	8
4	08709	(008000–	) Nut, Hex, Lock, M8 X 1.25, NI	4
5	63378	(008000–	) Magnet, Drive Brush	1
6	09200	(008000–	) Screw, Pan, M5 X 0.8 X 12, Ss	2
7	1024934	(008000–	) Pin, Locating, Lpg	1
8	32492	(008000–	) Washer, Flat, 0.38 Std	2
9	41430	(008000–	) Nut, Hex, Lock, M10 X 1.5, NI	1
10	32716	(008000–	) Nut, Hex, Jam, M10 X 1.5, Ss	2
11	58589	(008000–	) Strap, Mtg, Tank, Lpg	1
12	16931	(008000–	) Screw, Hex, M8 X 1.25 X 20, 8.8	2
13	57297	(008000–	) Strap, Mtg, Tank, Lpg, Hinge	1
14	35710	(008000–	) Screw, Hex, .38–16 X 3.75, 5	1
15	59156	(008000–	) Nut, Hex, Lock, .38–16, NI, Ss	1
16	58590	(008000–	) Strap, Mtg, Tank, Lpg	1
▽	17	53400–1	(008000–) Latch Assy, Mtg, Tank, Lpg, W/Nut	1
▲	18	53400–4	(008000–) Nut, Adj, Mtg, Tank, Lpg	1
19	36643	(008000–	) Nut, Hex, Lock, .38–16, NI, Thin	1
20	26496	(008000–	) Fitting, Brs, Qdc, Pf04, Lpg Fem	1
21	22308–6	(008000–	) Hose, Lpg, Med05, Pm04str/Sm04str, 14.0l	1
22	150709	(008000–	) Fitting, Brs, Tee, Pf04/Pf04/Pm04, Run	2
23	78122	(008000–	) Fitting, Brs, Str, Pf04/Pf04, Bh	1
24	27048	(008000–	) Fitting, Brs, E90, Pf04/Pm04	2
25	24047	(008000–	) Valve, Lpg, Press Relief [Rego]	1
26	19760	(008000–	) Hose, Lpg, Med05, Pm04str/Sm04str, 55.0l	1
28	17414	(008000–	) Fitting, Hyd, Str, Pf02/Pm04	1
27	11442–23	(008000–	) Fitting, Pipe, Str, Pm04/Sf04	2
29	23156	(008000–	) Switch, Press, 12vdc 08a Spst Nc 0070psi	1
30	24928–1	(008000–	) Tank, Lpg, 33lb, W/ Gauge [Empty, Liq]	1
31	35707	(008000–	) Screw, Hex, .38–16 X 3.00, 5	1
32	67767	(008000–	) Clamp, Cable, Stl, 0.69d X 0.62w, 1hole	1
33	06942	(008000–	) Screw, Hex, M6 X 1.00 X 16, 8.8	1
34	32483	(008000–	) Washer, Flat, 0.25, Sae	1

Fig. 23 - Battery and Electrical Group

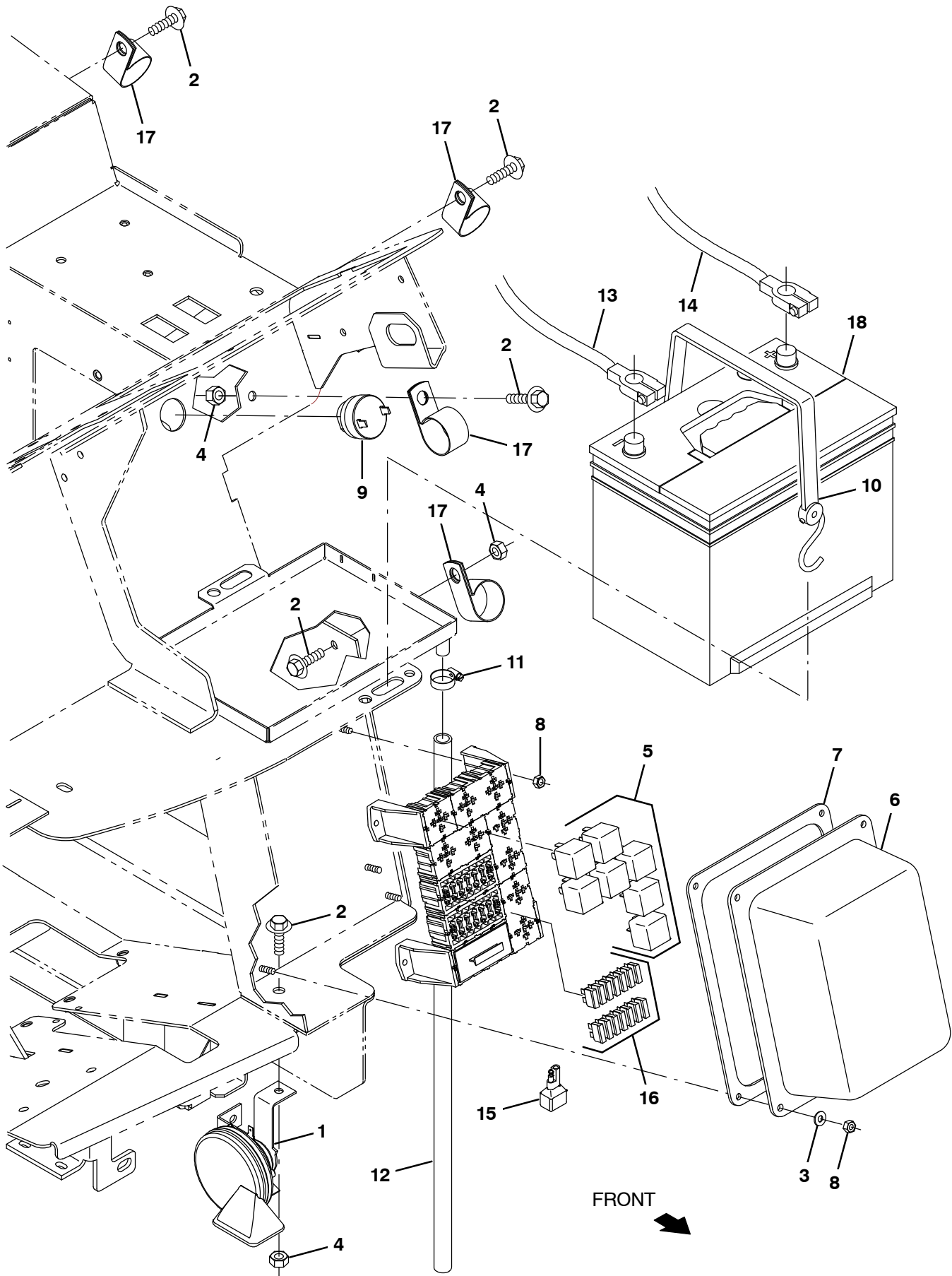
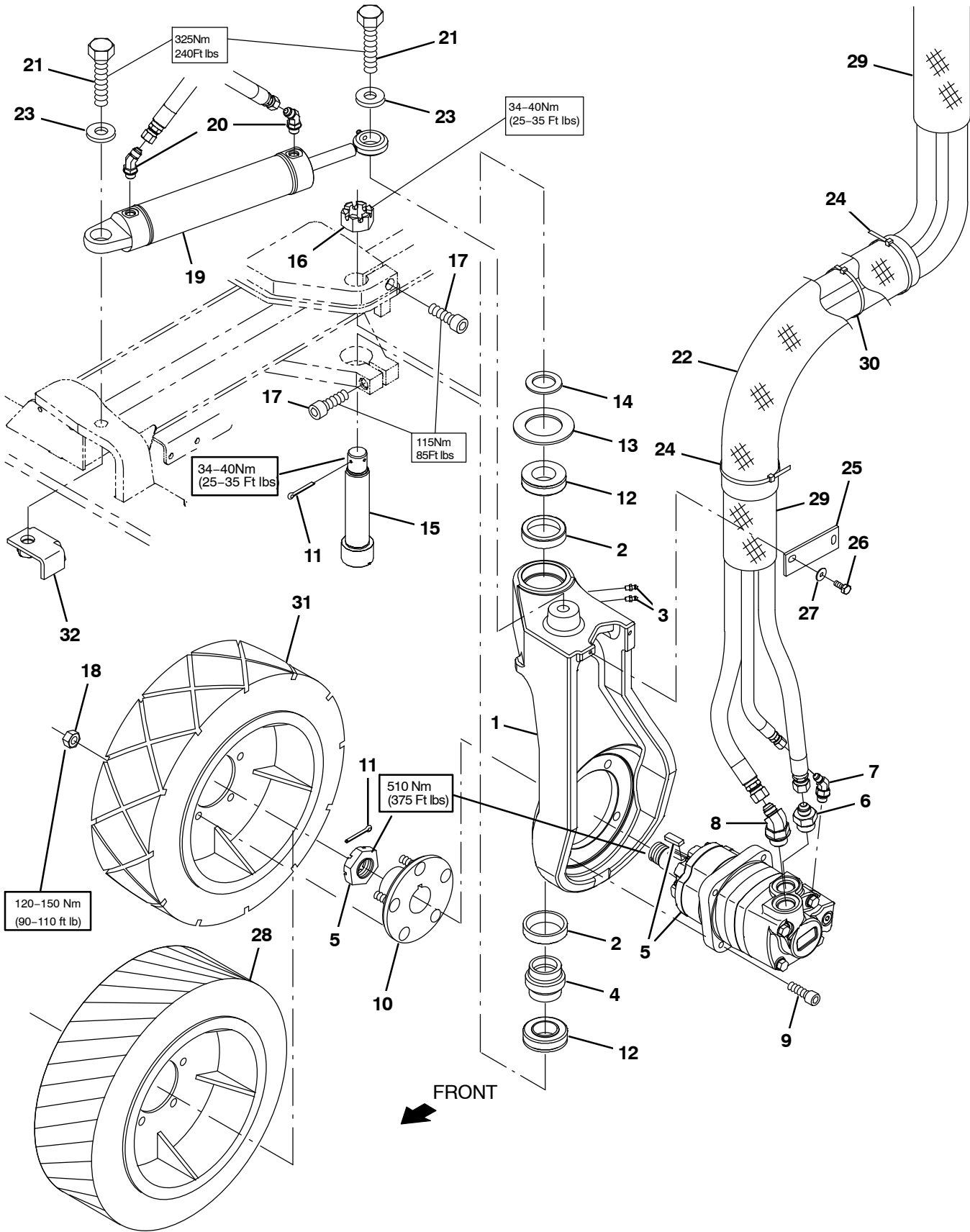


Fig. 23 - Battery and Electrical Group

Ref.	Part No.	Serial Number	Description	Qty.
1	369704	(008000-	) Horn, 12vdc, Dba [Wolo]	1
2	1037346	(008000-	) Screw, Hex, M8 X 1.25 X 25, 9.8, Sems	5
3	19066	(008000-	) Washer, Flat, #10	4
4	08709	(008000-	) Nut, Hex, Lock, M8 X 1.25, NI	3
5	57804	(008000-	) Relay, 12vdc, 40a, Spdt N/O	7
6	1024274	(008000-	) Cover, Fuse, Block	1
7	1026576	(008000-	) Gasket, Cover, Fuse Block	1
8	06549	(008000-	) Nut, Hex, Lock, M5 X 0.8, NI	8
9	1021290	(008000-	) Alarm, Warning [Sonalert, St628]	1
10	33671	(008000-	) Strap, Rbr, Tie-Down, 2/Hooks 19.0l	1
11	54333	(008000-	) Clamp, Hose, Wormdrive, 0.31-0.88d, .31w	1
12	20778	(008000-	) Hose, Pvc, Clr, 0.50id 0.69od 30.00l	1
13	1071481	(008000-	) Cable, Battery, 2ga, 62l, Blk	1
14	1071482	(008000-	) Cable, Battery, 2ga, 60l, Red	1
15	222290	(008000-	) Diode, Ele, Plug	1
16	762514	(008000-	) Fuse, 015a	14
17	53466	(008000-	) Clamp, Cable, Stl, 1.50d X 1.00w, 1h	4
18	10137	(008000-	) Battery, 12vdc, 0475cca, Ah, Wet	1

**Fig. 24 – Wheel Group, Front Drive**



**Fig. 24 – Wheel Group, Front Drive**

<b>Ref.</b>	<b>Part No.</b>	<b>Serial Number</b>	<b>Description</b>	<b>Qty.</b>	
1	1071061	(008000– )	Housing, Sppt, Front Wheel	1	
2	51338	(008000– )	Bearing, Cup, 2.56d 0.55w	2	
3	47801	(008000– )	Fitting, Grease, Str Pm04 .63l	2	
4	374560	(008000– )	Seal, Drive, Rear, Grease Cav	1	
5	379609	(008000– )	Motor, Hyd, Gear, Int 19.0 Bi-Dir 3000 (See Breakdowns)	1	
6	42223	(008000–012314 )	Fitting, Hyd, Str, Jm10/Om12	1	
6	42227	(012315– )	Fitting, Hyd, Str, Jm08/Om12	1	
7	393215	(008000– )	Fitting, Hyd, E45, Jm04/Om06	1	
8	1024249	(008000–012314 )	Fitting, Hyd, E45, Jm10/Om12	1	
8	1258930	(012315– )	Fitting, Hyd, E45, Jm08/Om12	1	
9	19583	(008000– )	Screw, Soc, .50–13 X 1.50, Al	4	
▽	10	54087	(008000– )	Hub Assy, Wheel, 5 Bolt 4.50bc Taper B	1
▲		32126	(008000– )	Stud, Wheel, .50–20 X 1.50l, 0.370th	5
	11	08180	(008000– )	Pin, Cotter, .125 X 2.00	2
	12	51339	(008000– )	Bearing, Cone, 1.38b 0.71w	2
	13	374563	(008000– )	Washer, Flat, 2.16b 3.50d .16, Felt	1
	14	54051	(008000– )	Washer, Flat, 1.39b 2.12d .13, Stl	1
	15	73281	(008000– )	Bolt, Shld, 1.37d X 5.13l, 1.1–18 Drilled	1
	16	54052	(008000– )	Nut, Hex, Sltd, 1.12–18	1
	17	72926	(008000– )	Screw, Soc, M16 X 2.0 X 50, 12.9	2
	18	24339	(008000– )	Nut, Wheel, .50–20 X 60 Angle	5
	19	1034270	(008000– )	Cylinder, Hyd, 2.0b, 15.2l, 09.00strk, 3000	1
	20	47522	(008000– )	Fitting, Hyd, E45, Jm06/Om06	2
	21	77345	(008000– )	Screw, Hex, .75–10 X 3.25, G5	1
	22	82832	(008000– )	Sleeve, Nyl, 2.38id 25.0l	1
	23	1073487	(008000– )	Washer, Flat, .781b 1.63od .16, Stl, Blk	2
	24	49266	(008000– )	Tie, Cable, Nyl, 07.3l .19w 1.8 Max D	2
	25	1052521	(008000– )	Bar, Flat, Stl 0.19, 01.50 X 04.1l	1
	26	16931	(008000– )	Screw, Hex, M8 X 1.25 X 20, 8.8	2
	27	32491	(008000– )	Washer, Flat, 0.31, Std	2
	28	1061973	(008000– )	Tire, Drive, Scrbr, Pu, Grey, 18.0X6.0 (Optional Polyurethane)	1
	29	57315	(008000– )	Sleeve, Nyl, #37 05.0l	2
	30	49266	(008000– )	Tie, Cable, Nyl, 07.3l .19w 1.8 Max D	2
	31	1059343	(008000– )	Tire, Drive, Scrbr, Non-Skid, 18.0X6.0	1
	32	1060521	(008000– )	Bracket, Mtg, Sppt	1

Fig. 25 - Wheel Group, Rear

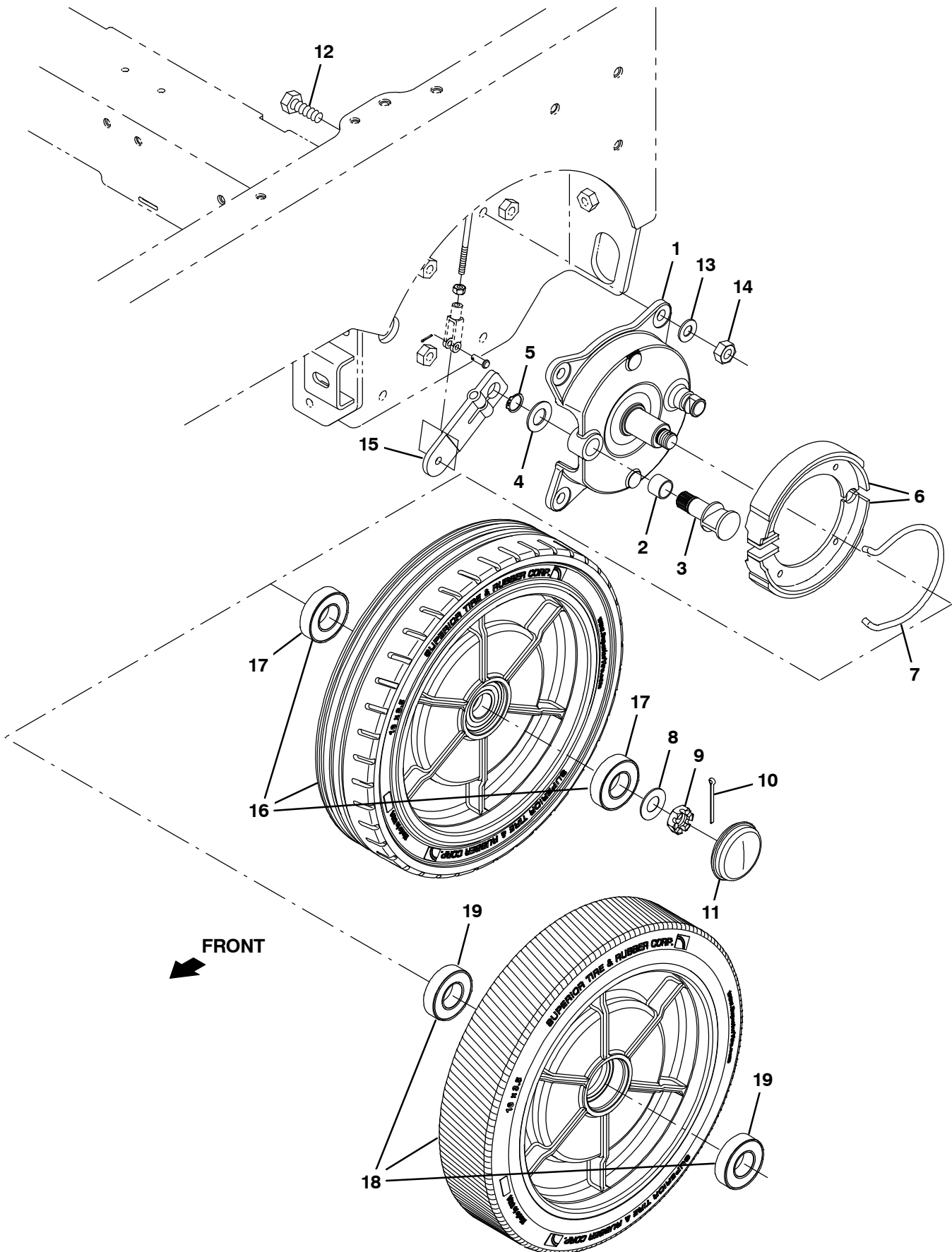


Fig. 25 – Wheel Group, Rear

	Ref.	Part No.	Serial Number	Description	Qty.
▽		360023	(008000–	) Brake Assy, Drum, Mech, 07.0d 1.2w	2
▲	1	360270	(008000–	) Plate, Backing, Brake	1
▲	2	360271	(008000–	) Bushing, Sleeve, 0.78b 0.86d 0.93l, Bnz	1
▲	3	360272	(008000–	) Cam, Plt, Brake [Nickel]	1
▲	4	360273	(008000–	) Washer, Flat, M21.0b X 37d X 3	1
▲	5	360274	(008000–	) Retainer, Ring, Brake	1
▲	6	360275	(008000–	) Shoe, Brake, 180 X 30mm	2
▲	7	360276	(008000–	) Spring, Wir, 0.25d, Return, Brake	1
	8	49145	(008000–	) Washer, Flat, 0.76b 1.50d .06, Ss	2
	9	86659	(008000–	) Nut, Hex, Slted, .75–16	2
	10	08171	(008000–	) Pin, Cotter, .156 X 2.00	2
	11	54390	(008000–	) Cap, Hub, Dust 2.57d 0.77l	2
	12	06969	(008000–	) Screw, Hex, M12 X 1.75 X 40, 8.8	8
	13	32486	(008000–	) Washer, Flat, 0.50 Sae	8
	14	08711	(008000–	) Nut, Hex, Lock, M12 X 1.75,NI	8
	15	360802	(008000–	) Arm, Lever, Brake, 4.1 [Knott]	2
▽	16	1076240	(008000–	) Tire Assy, Idler, 16.0 X 3.5, Rubber	2
▲	17	360074	(008000–	) Bearing, Ball, 1.18b 2.44d 0.63w	2
▽	18	1076680	(008000–	) Tire, Idle, 16 X 3.5, Pu, Siped Tread(Optional Polyurethane)	2
▲	19	360074	(008000–	) Bearing, Ball, 1.18b 2.44d 0.63w	2

**Fig. 26 – Brake Pedal Linkage Group**

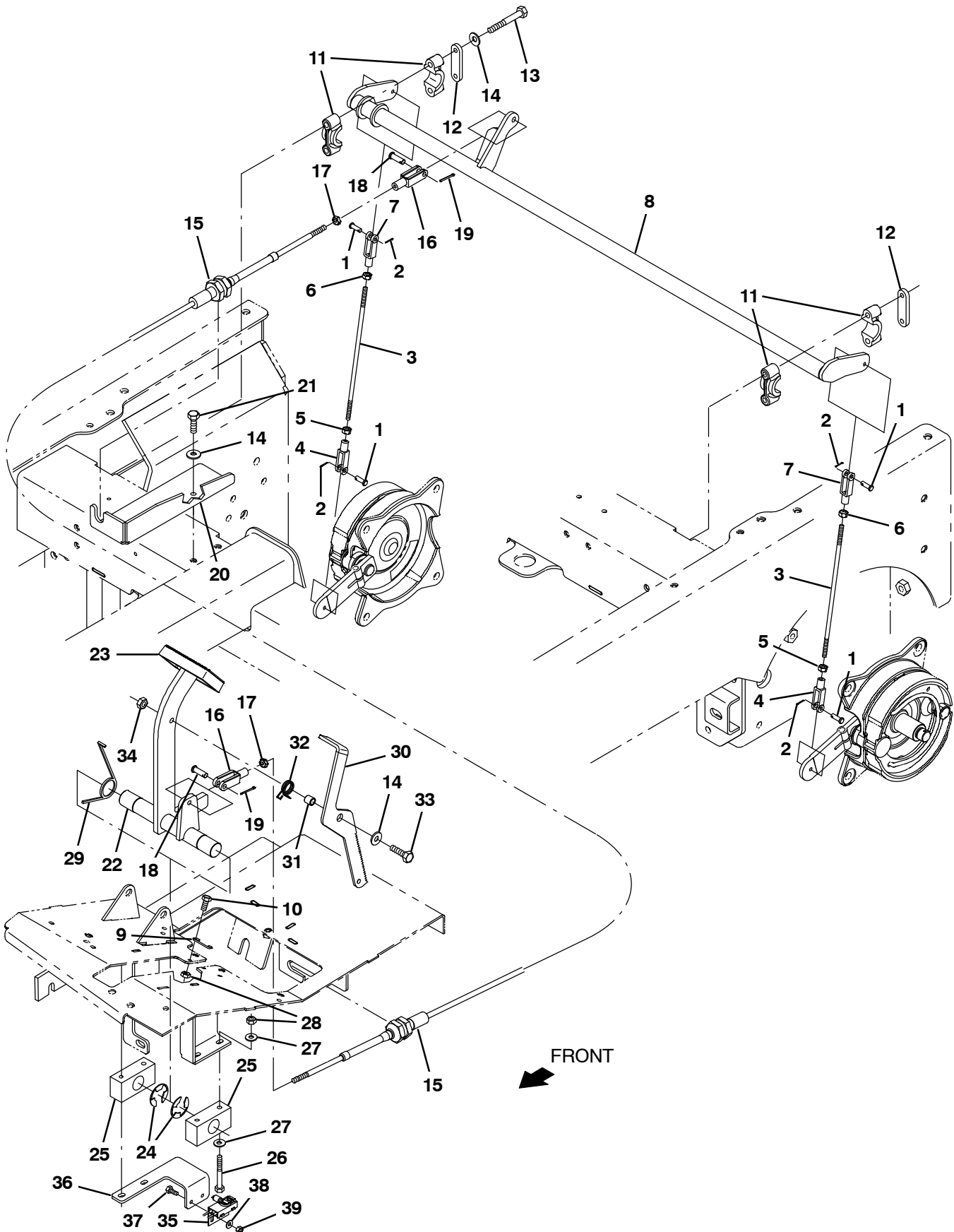




Fig. 26 – Brake Pedal Linkage Group

Ref.	Part No.	Serial Number	Description	Qty.
1	14605	(008000–	) Pin, Clevis, 0.25d X 0.75l	4
2	08170	(008000–	) Pin, Cotter, .062 X 0.50	4
3	364347	(008000–	) Rod	2
4	14595–1	(008000–	) Clevis, Adj, 0.25 Pin, 0.25–28 Rh, Pl	2
5	364948	(008000–	) Nut, Hex, Std, .25–28, Lh	2
6	01714	(008000–	) Nut, Hex, Std, .25–28	2
7	364864	(008000–	) Clevis, Adj, 0.25pin, 0.25–28left Pl	2
8	1022031	(008000–	) Shaft Wldt, Brake	1
9	71367	(008000–	) Spring, Wir, 0.08d, Brake, Parking	1
10	06942	(008000–	) Screw, Hex, M6 X 1.0 X 16, 8.8	2
11	381502	(008000–	) Bearing, Split, 1.00b	4
12	382224	(008000–	) Plate, Sppt	2
13	39279	(008000–	) Screw, Hex, M8 X 1.25 X 70, 8.8	4
14	32491	(008000–	) Washer, Flat, 0.31, Std	7
15	1025495	(008000–	) Cable, Push / Pull, 063.0l 4.0, .31–24	1
16	58311	(008000–	) Clevis, Adj, 0.31pin, 0.31–24	2
17	20170	(008000–	) Nut, Hex, Jam, .31–24	2
18	69582	(008000–	) Pin, Clevis, 0.31d X 1.00l	2
19	08179	(008000–	) Pin, Cotter, .094 X 1.00	2
20	1022736	(008000–	) Bracket, Mtg, Cable	1
21	16931	(008000–	) Screw, Hex, M8 X 1.25 X 20, 8.8	2
22	1022243	(008000–	) Shaft Wldt, Pedal, Brake	1
23	51109	(008000–	) Pad, Pedal, Brake, 3.96l 2.36w 0.75	1
24	23788	(008000–	) Ring, Retaining, Ext, 0.98d, [E–Ring]	2
25	86751	(008000–	) Bearing, Pillowblock, 1.02b [Solid Pye]	2
26	06548	(008000–	) Screw, Hex, M6 X 1.0 X 60, 8.8	4
27	32490	(008000–	) Washer, Flat, 0.25 Std	8
28	08708	(008000–	) Nut, Hex, Lock, M6 X 1.0, NI	6
29	54607	(008000–	) Spring, Tors, 1.13id .12wir 02.3coil Rh	2
30	1025487	(008000–	) Pedal, Brake, Lock	1
31	46563	(008000–	) Bushing, Sleeve, 0.37b 0.50d 0.50l, Oib	1
32	59009	(008000–	) Spring, Tors, 0.75id .06wir 02.8coil	1
33	06955	(008000–	) Screw, Hex, M8 X 1.25 X 35, 8.8	1
34	08709	(008000–	) Nut, Hex, Lock, M8 X 1.25, NI	1
35	59962	(008000–	) Switch, Snap, 15a Nc, Rlr	1
36	1228195	(008000–	) Bracket, Mtg, Switch	1
37	24199	(008000–	) Screw, Hex, M5 X 0.80 X 16, Ss	2
38	01683	(008000–	) Washer, Flat, 10, Ss	2
39	09739	(008000–	) Nut, Hex, Lock, M5 X 0.80, NI, Ss	2

**Fig. 27 – Directional Pedal Group**

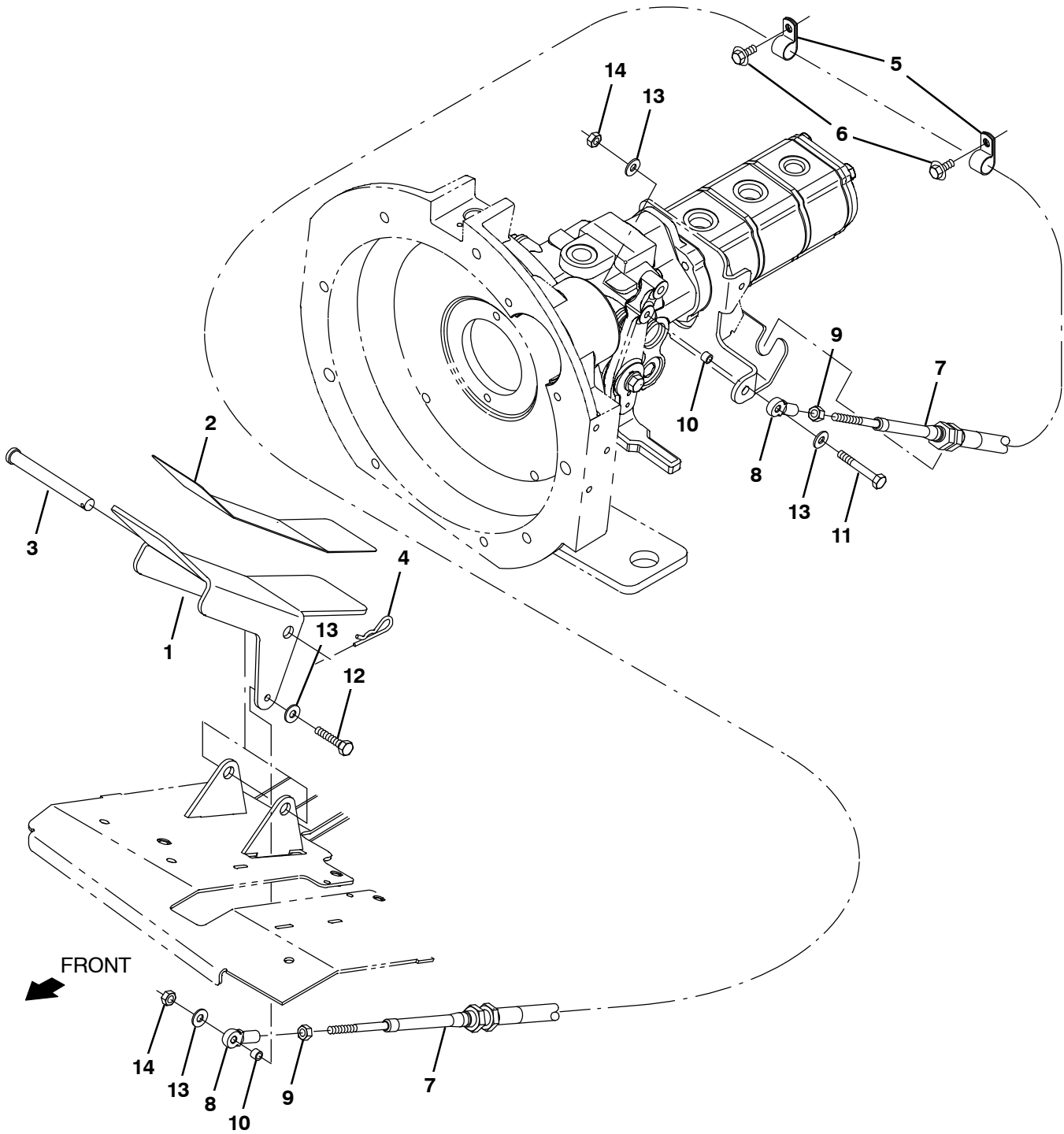


Fig. 27 - Directional Pedal Group

Ref.	Part No.	Serial Number	Description	Qty.
1	1025140	(008000-	) Pedal, Propel	1
2	58819	(008000-	) Tread, Non-Skid, 03.0w 11.6l	1
3	59668	(008000-	) Pin, Clevis, 0.50 D X 4.50l	1
4	08182	(008000-	) Pin, Cotter, .125 X 1.00	1
5	67767	(008000-	) Clamp, Cable, Stl, 0.69d X 0.62w, 1h	2
6	361339	(008000-	) Screw, Hex, M6 X 1.0 X 16, Fmg	2
7	1022345	(008000-	) Cable, Push / Pull, 098.0l .25-28/.25-28	1
8	68866	(008000-	) Rod-End, .25-28rh Fem 0.25b [Teflon]	2
9	01714	(008000-	) Nut, Hex, Std, .25-28	2
10	65441	(008000-	) Tube, 00.38d 00.26b 00.3l Stl Plt	2
11	41399	(008000-	) Screw, Hex, .25-20 X 2.25, Ss	1
12	42180	(008000-	) Screw, Hex, .25-20 X 1.75, Ss	1
13	32490	(008000-	) Washer, Flat, 0.25 Std	4
14	41169	(008000-	) Nut, Hex, Lock, .25-20, NI, Ss	2

**Fig. 28 – Hydraulic Pump Linkage Group**

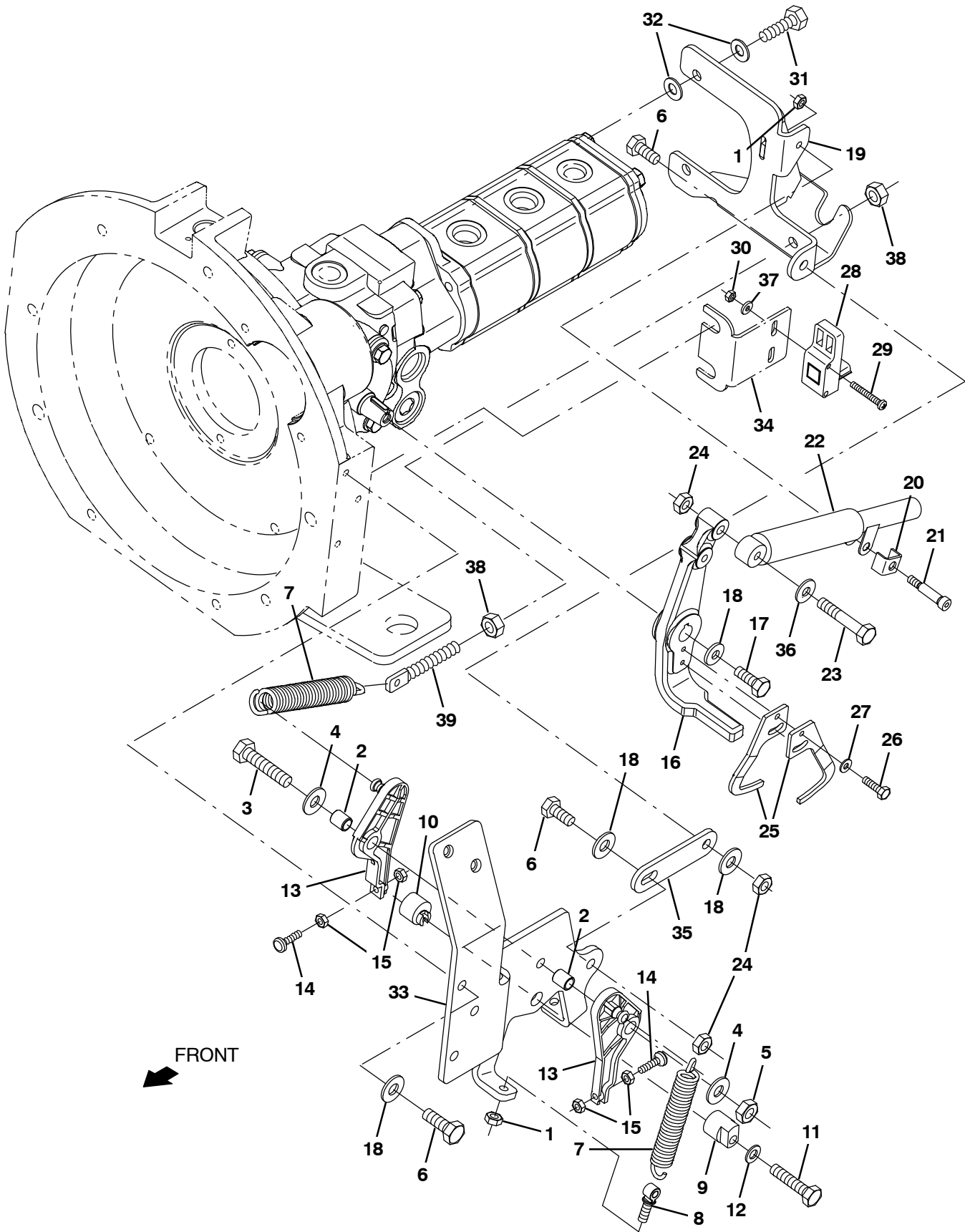


Fig. 28 – Hydraulic Pump Linkage Group

Ref.	Part No.	Serial Number	Description	Qty.
1	75934	(008000–	) Nut, Hex, Lock, .25–20, NI	2
2	63234	(008000–	) Tube, 00.50d 00.38b 00.6l Stl	2
3	27991	(008000–	) Screw, Hex, .38–16 X 2.25, G5	1
4	32492	(008000–	) Washer, Flat, 0.38 Std	2
5	36643	(008000–	) Nut, Hex, Lock, .38–16, NI, Thin	1
6	39277	(008000–	) Screw, Hex, M8 X 1.25 X 25, 8.8	5
7	11842	(008000–	) Spring, Extn, 0.75od X 0.12wir, 4.3l	2
8	48079	(008000–	) Bolt, Eye, .25–20 X 1.40 X .25 Eye	1
9	53947	(008000–	) Cam, Centering, Pintle	1
10	54655	(008000–	) Cam, Centering, Pintle	1
11	74440	(008000–	) Screw, Hex, M8 X 1.25 X 40, Ss, NI	1
12	39349	(008000–	) Washer, Flat, 0.31 Sae	1
13	53953	(008000–	) Arm, Cntrl, Pintle, Centering	2
14	54205	(008000–	) Bumper, Rbr, 0.5d 0.16t M5 X 08	2
15	50335	(008000–	) Nut, Hex, Std, M5 X 0.8, 8	4
16	1027233	(008000–	) Arm, Pintle	1
17	83879	(008000–	) Screw, Hex, .31–24 X 0.75, NI	1
18	41186	(008000–	) Washer, Belleville, .31	6
19	1027313	(008000–	) Bracket Wldt, Propel, Pintle	1
20	84170	(008000–	) Bracket, Retainer, Safety	1
21	16213	(008000–	) Bolt, Shld, .31d X 1.00, .25–20	1
22	73411	(008000–	) Shock Absorber, 2.3 Strk	1
23	39278	(008000–	) Screw, Hex, M8 X 1.25 X 50, 8.8	1
24	08709	(008000–	) Nut, Hex, Lock, M8 X 1.25, NI	3
25	1022787	(008000–	) Arm [Positioning]	2
26	09252	(008000–	) Screw, Hex, M5 X 0.8 X 20, 8.8	2
27	01683	(008000–	) Washer, Flat, #10 Ss	2
28	1022779	(008000–	) Sensor, Spd / Dir, 6–30vdc	1
29	09198	(008000–	) Screw, Pan, M4 X 0.7 X 35, Ss	2
30	33932	(008000–	) Nut, Hex, Lock, M4 X 0.7, NI, Ss	2
31	46559	(008000–	) Screw, Hex, .38–16 X 1.25, NI	2
32	32485	(008000–	) Washer, Flat, 0.38 Sae	4
33	1070798	(008000–	) Bracket, Propel, G/Lpg [Mit 2013]	1
34	1070819	(008000–	) Angle, Mtg	1
35	1032399	(008000–	) Strap, Sppt	1
36	32490	(008000–	) Washer, Flat, 0.25 Std	1
37	19065	(008000–	) Washer, Flat, 0.19b 0.44d .05, Pl, 08	2
38	07786	(008000–	) Nut, Hex, Std, M8 X 1.25, Ss	2
39	386088	(008000–	) Bolt, Eye, M8 X 1.25 X 070mm, 05.50 Eye	1

Fig. 29 - Hopper Lift Arms Group

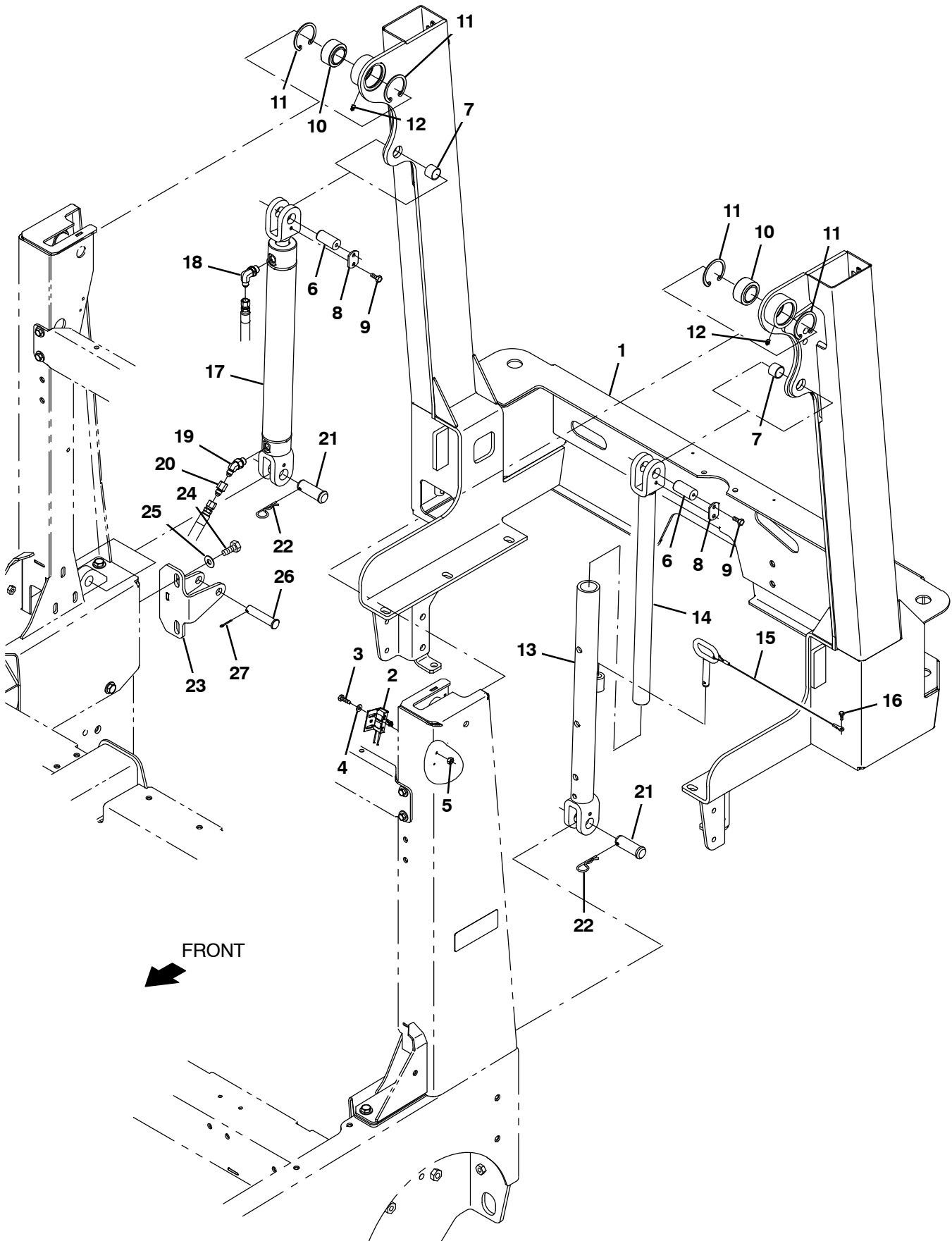


Fig. 29 – Hopper Lift Arms Group

Ref.	Part No.	Serial Number	Description	Qty.
1	1069933	(008000–	) Frame Wldt, Lift, Hpr	1
2	23211	(008000–	) Switch, Snap, 15a No, Rlr	1
3	09252	(008000–	) Screw, Hex, M5 X 0.8 X 20, 8.8	2
4	19066	(008000–	) Washer, Flat, #10	2
5	07789	(008000–	) Nut, Hex, Flng, M5 X 0.8	2
6	1018226	(008000–	) Pin, 0.87d 01.8l, 1/M6 X 1.0, 1cham,Stl	2
7	364587	(008000–	) Bushing, Sleeve, 0.88b 1.00d 0.75l, Bnz	2
8	72897	(008000–	) Plate, Pin, Clevis, Upper	2
9	1040467	(008000–	) Screw, Hex, M6 X 1.0 X 20, 9.8, Sems	4
10	42120-1	(008000–	) Bearing, Self Align, 1.25b 2.00d	2
11	59542	(008000–	) Ring, Retaining, Int, 2.00d	4
12	07259	(008000–	) Fitting, Grease, Str Pm04 .47l	2
13	1018260	(008000–	) Tube Wldt, Arm, Safety	1
14	1018262	(008000–	) Rod Wldt, Arm, Safety	1
15	1018266	(008000–	) Pin, Arm, Safety	1
16	16944	(008000–	) Screw, Hex, M4 X 0.7 X 10, Fmg	1
17	1029646	(008000–	) Cylinder, Hyd, 2.0B 24.1L 15.00Strk 3000	1
18	47638	(008000–	) Fitting, Hyd, E90, Jm04/Om06	1
19	393215	(008000–	) Fitting, Hyd, E45, Jm04/Om06	1
20	1025904	(008000–	) Fitting, Hyd, Rst, Jf04/Jm04, .028	1
21	1018227	(008000–	) Pin, Clevis, 0.88d X 2.25l	2
22	02942	(008000–	) Pin, Cotter, Hair, 0.62d .120 Wir	2
23	1018275	(008000–	) Plate Wldt, Arm, Stop	1
24	09028	(008000–	) Screw, Hex, M10 X 1.5 X 25, Ss	2
25	01686	(008000–	) Washer, Flat, 0.44b 1.00d .08, Ss	2
26	1018276	(008000–	) Pin, Clevis, 0.62d X 2.91l	1
27	08179	(008000–	) Pin, Cotter, .094 X 1.00	1

Fig. 30 - Hopper and Debris Screen Group

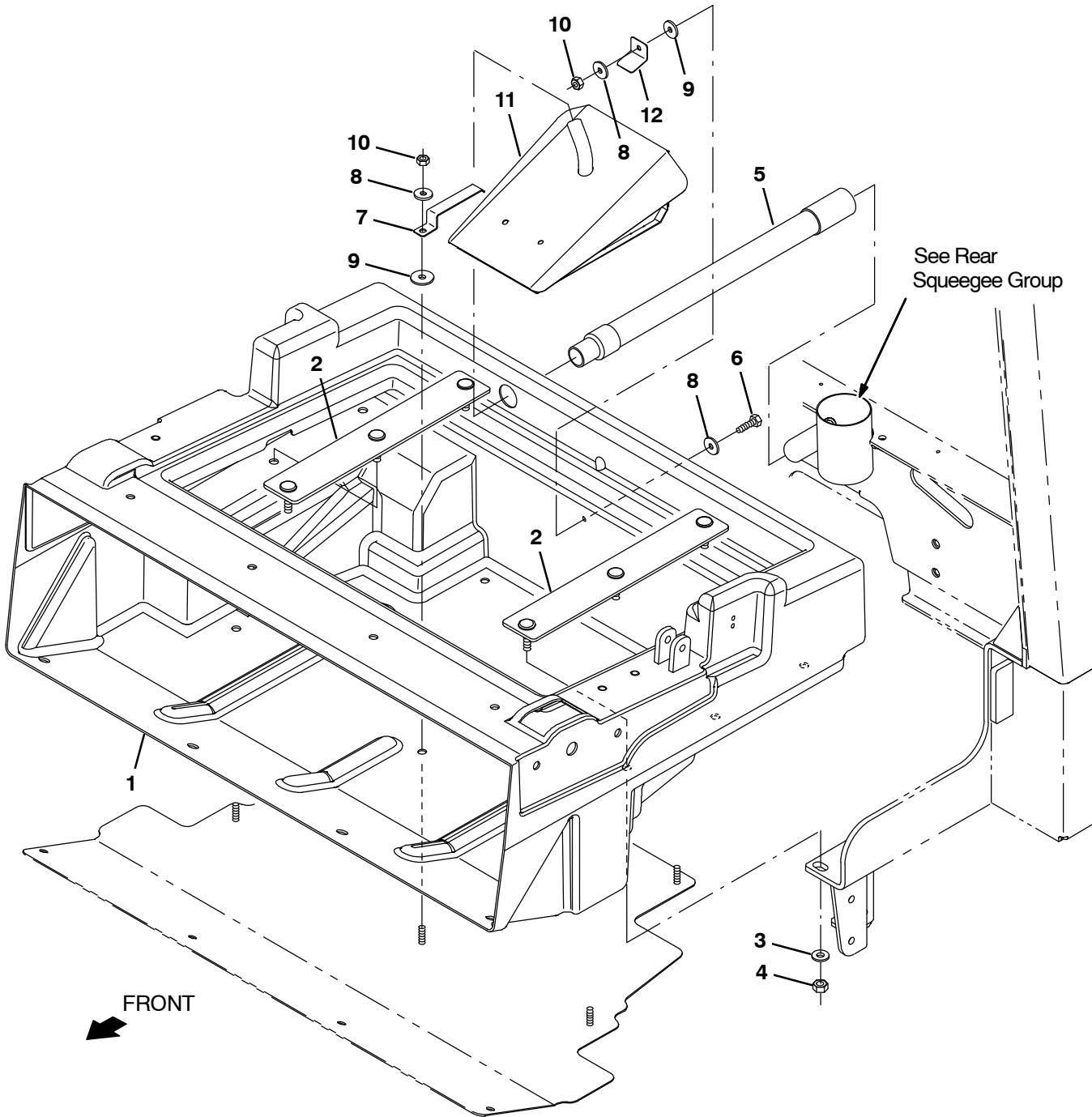




Fig. 30 – Hopper and Debris Screen Group

Ref.	Part No.	Serial Number	Description	Qty.
1	1018300	(008000–	) Hopper, Debris, Rm–Hg, Trimmed	1
2	1018272	(008000–	) Bar, Mtg, Hppr	2
3	763042	(008000–	) Washer, Flat, Belleville, M10	6
4	08714	(008000–	) Nut, Hex, Lock, M10 X 1.5, NI, Ss	6
5	1018239	(008000–	) Hose Assy, W/1cuff, 1.0d 09l 1.0/	1
6	09010	(008000–	) Screw, Hex, M8 X 1.25 X 25, Ss	1
7	1044323	(008000–	) Spring, Flat, Retainer, Angled Screen	1
8	1017218	(008000–	) Washer, Flat, 0.32b 1.00d .12, Ss	3
9	222268	(008000–	) Washer, Flat, 0.38b 1.25d .12, Neo	2
10	08713	(008000–	) Nut, Hex, Lock, M8 X 1.25, NI, Ss	2
11	1039163	(008000–	) Screen Wldt, Hppr	1
12	1039215	(008000–	) Angle, Retainer	1

**Fig. 31 – Hopper Cover and Dust Filter Group**

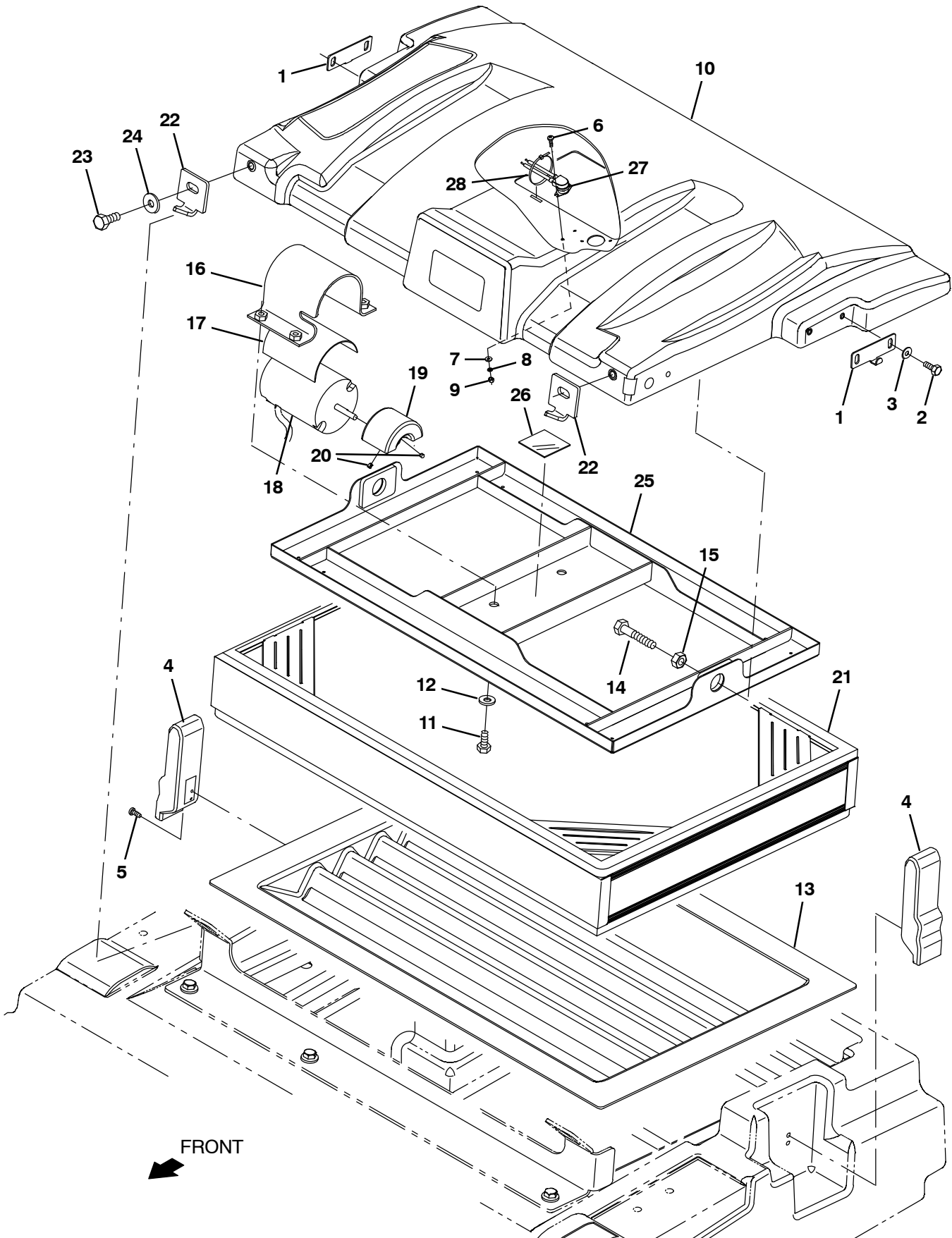


Fig. 31 – Hopper Cover and Dust Filter Group

Ref.	Part No.	Serial Number	Description	Qty.
1	1041984	(008000–	) Bracket, Cover, Hppr	2
2	15678	(008000–	) Screw, Hex, M6 X 1.0 X 16, Ss	4
3	01684	(008000–	) Washer, Flat, 0.25, Ss	4
4	1222019	(008000–	) Latch, Yellow	2
5	09200	(008000–	) Screw, Pan, M5 X 0.8 X 12, Ss	4
6	06922	(008000–	) Screw, Pan, M3 X 0.5 X 20, 4.8	2
7	19064	(008000–	) Washer, Flat, #06	2
8	32975	(008000–	) Washer, Lock, Int, #06	2
9	01754	(008000–	) Nut, Hex, Std, M3 X 0.5, 8	2
10	1041006	(008000–	) Cover, Hppr	1
11	09740	(008000–	) Screw, Hex, M8 X 1.25 X 20, Ss	4
12	01685	(008000–	) Washer, Flat, 0.38b 0.88d .08, Ss	4
13	1037947	(008000–	) Tray, Perma-Filter	1
14	06963	(008000–	) Screw, Hex, M10 X 1.50 X 60, 8.8	2
15	39312	(008000–	) Nut, Hex, Std, M10 X 1.50	2
16	1037671	(008000–	) Strap, Mtg, Motor, .124.00W	1
17	36658	(008000–	) Strip, Rbr, 0.06 04.00w 05.0l Neo/60	1
18	1059542	(008000–	) Motor, Ele 12Vdc, Shagr	1
19	1053320	(008000–	) Weight, Eccentric	1
20	20634	(008000–	) Screw, Set, #10–24 X 0.25, NI	2
21	1048295AM	(008000–	) Filter, Panl, Syn, 4.2 X 20.0 X 30.0	1
22	1018207	(008000–	) Bar, Mtg, Hppr Cover	2
23	09291	(008000–	) Screw, Hex, M10 X 1.5 X 20, Ss	2
24	1014563	(008000–	) Washer, Flat, 0.40b 1.12d .12, Ss	2
25	1037235	(008000–	) Shaker Wldt	1
26	36661	(008000–	) Strip, Rbr, 0.06 01.00W 04.0L	1
27	1056298	(008000–	) Switch, Temp, Sealed, Nc	1
28	763116	(008000–	) Tie, Cable, Nyl, 15.3L . W 4.5 Max D	1

**Fig. 32 – Hopper Bumper Group**

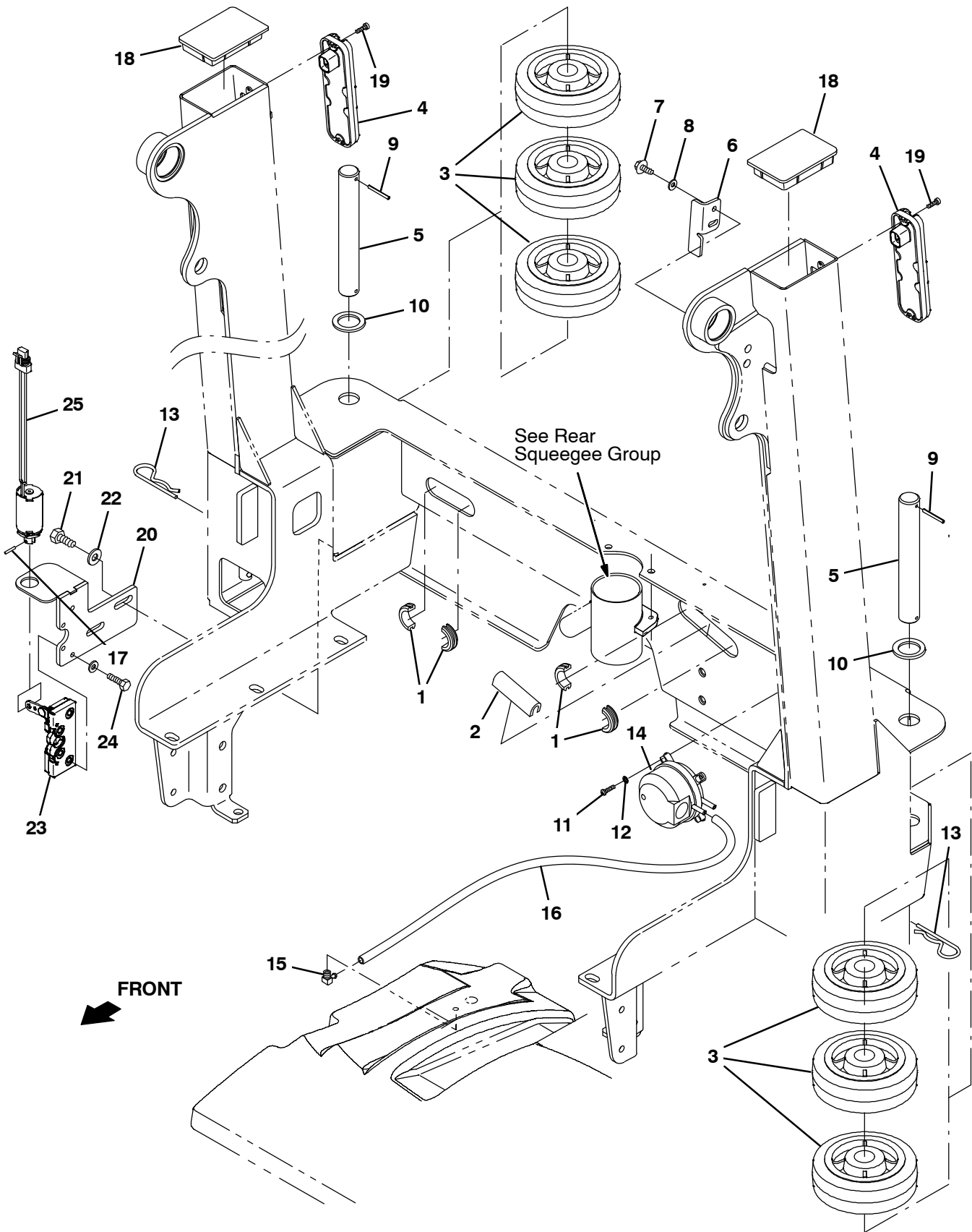


Fig. 32 - Hopper Bumper Group

Ref.	Part No.	Serial Number	Description	Qty.
1	10632-13	(008000-	) Grommet, Rbr, 1.50id, F/1.8h, .19 Matl	2
2	50646	(008000-	) Molding, Trim, Pvc,.18-.31 07.5l	1
3	1060130	(008000-	) Wheel, 06.0d 2.00w 1.19b, Gray Rbr	6
4	1018208	(008000-	) Light, Tail, 12vdc	2
5	1053838	(008000-	) Pin, 30mmd X 215mml	2
6	1018240	(008000-	) Bracket, Mtg, Switch	1
7	361339	(008000-	) Screw, Hex, M6 X 1.0 X 16, Fmg	2
8	32483	(008000-	) Washer, Flat, 0.25 Sae	2
9	23146	(008000-	) Pin, Roll, .187d X 1.62l, .187/.192	2
10	1062566	(008000-	) Washer, Flat, 1.26B 1.88D .13, Stl, Pl	2
11	12323	(008000-	) Screw, Pan, M4 X 0.7 X 20, Ss	2
12	02938	(008000-	) Washer, Lock, Int, #08, Ss	2
13	34411	(008000-	) Pin, Cotter, Hair, 1.00d .178 Wir	2
14	1052885	(008000-	) Switch, Press, Adj [4-16 In Wtr]	1
15	32183	(008000-	) Fitting, Brs, E90, Pm02/Bm03	1
16	1031575	(008000-	) Hose, Afmkt, Vacuum, 0.16id, 03ft	1
17	20021	(008000-	) Pin, Roll, .125 D X 0.75l, .125/.129	1
18	1018293	(008000-	) Cap, Arm, Lift	2
19	06928	(008000-	) Screw, Pan, M4 X 0.7 X 20, 4.8	4
20	1018280	(008000-	) Plate Wldt, Mtg, Solenoid	1
21	12309	(008000-	) Screw, Hex, M12 X 1.75 X 30, Ss	2
22	32486	(008000-	) Washer, Flat, 0.50, Sae	2
23	21623	(008000-	) Latch	1
24	06944	(008000-	) Screw, Hex, M6 X 1.0 X 25, 8.8	4
25	1018274	(008000-	) Solenoid, Pull, 12vdc, Damper	1

**Fig. 33 – Hopper Door Group**

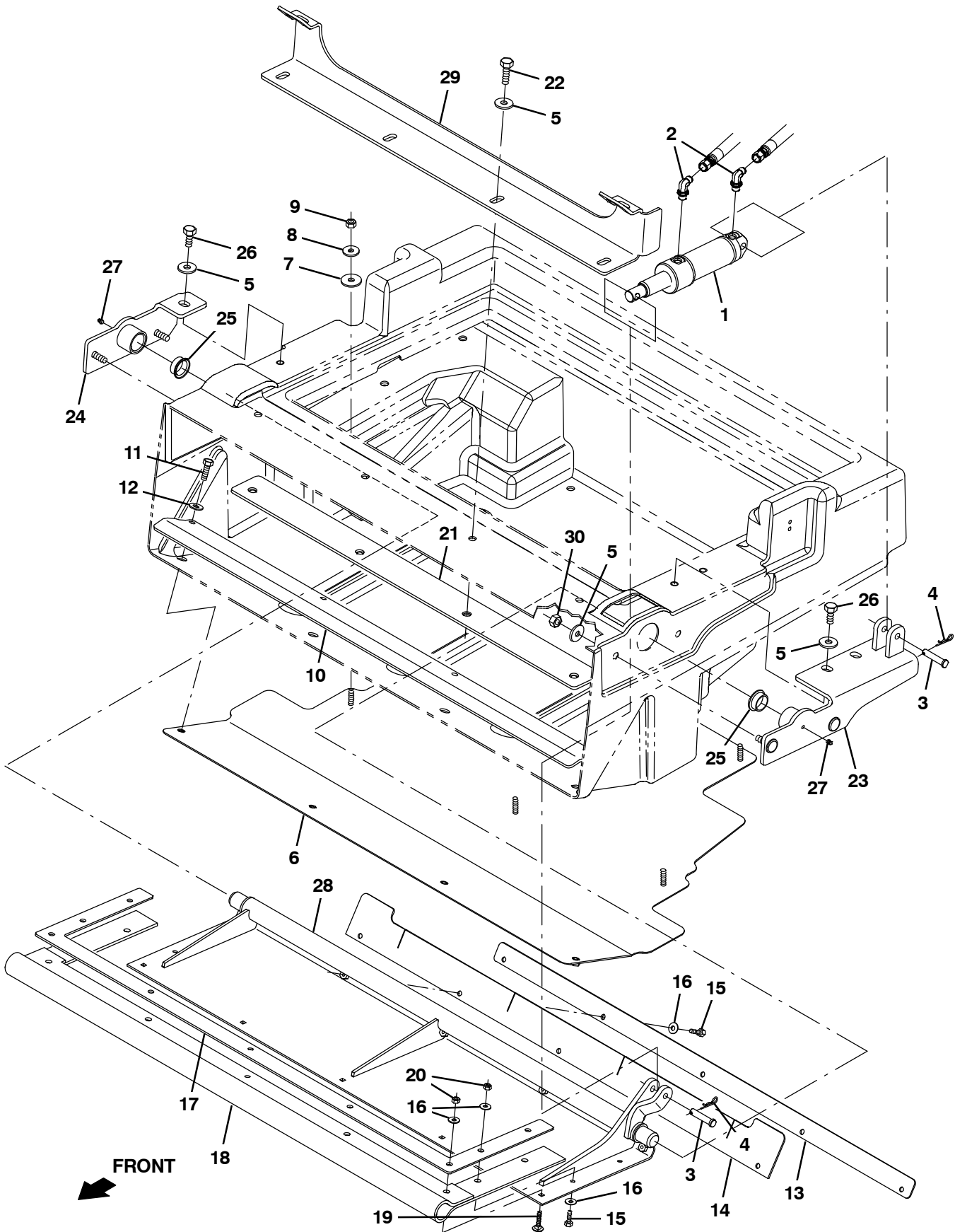


Fig. 33 – Hopper Door Group

Ref.	Part No.	Serial Number	Description	Qty.
1	1038115	(008000–	) Cylinder, Hyd, 1.5b 07.8l 02.75strk 2500	1
2	77097	(008000–	) Fitting, Hyd, E90, Jm04/Om04	2
3	17461	(008000–	) Pin, Clevis, 0.37d X 1.75l	2
4	08179	(008000–	) Pin, Cotter, .094 X 1.00	2
5	1014563	(008000–	) Washer, Flat, 0.40b 1.12d .12, Ss	11
6	1018237	(008000–	) Plate, Bottom, Hppr	1
7	222268	(008000–	) Washer, Flat, 0.38b 1.25d .12, Neo	2
8	1017218	(008000–	) Washer, Flat, 0.32b 1.00d .12, Ss	2
9	08713	(008000–	) Nut, Hex, Lock, M8 X 1.25, NI, Ss	2
10	1018236	(008000–	) Bracket, Lip, Hppr	1
11	09010	(008000–	) Screw, Hex, M8 X 1.25 X 25, Ss	4
12	01685	(008000–	) Washer, Flat, 0.31, Ss	4
13	1039155	(008000–	) Strap, Door, Dump	1
14	1018245	(008000–	) Seal, Door, Dump	1
15	08716	(008000–	) Screw, Hex, M6 X 1.0 X 20, Ss	9
16	01684	(008000–	) Washer, Flat, 0.25, Ss	14
17	1039149	(008000–	) Plate, Retainer, Door, Dump	1
18	1039157	(008000–	) Seal, Door, Dump	1
19	379791	(008000–	) Bolt, Carriage, M06 X 1.0 X 30	5
20	08712	(008000–	) Nut, Hex, Lock, M6 X 1.0, Ss, NI	9
21	1018253	(008000–	) Bracket, Cover	1
22	12317	(008000–	) Screw, Hex, M10 X 1.5 X 30, Ss	4
23	1038123	(008000–	) Bracket Wldt, Pivot, Hppr Door, Lh	1
24	1038134	(008000–	) Bracket Wldt, Pivot, Hppr, Rh	1
25	367313	(008000–	) Bushing, Flng, 1.00b 1.13d 0.50l	2
26	09291	(008000–	) Screw, Hex, M10 X 1.5 X 20, Ss	3
27	07259	(008000–	) Fitting, Grease, Str Pm04 .47l	2
28	1039124	(008000–	) Door Wldt, Hppr	1
29	1044993	(008000–	) Bracket, Cover, Hopper	1
30	08714	(008000–	) Nut, Hex, Lock, M10 X 1.5, NI, Ss	4

**Fig. 34 – Cylindrical Scrub Brush Drive Group, Left Side**

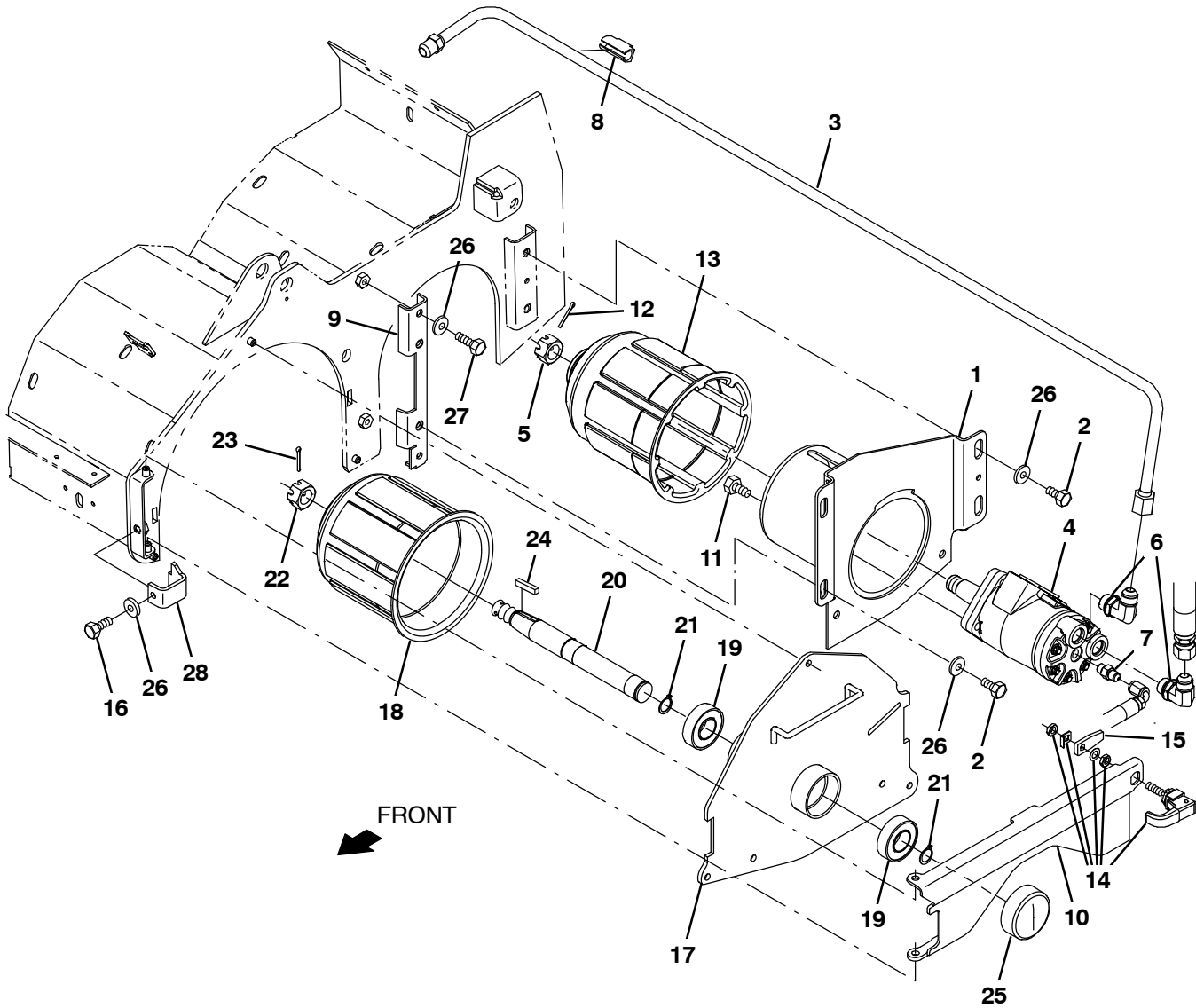




Fig. 34 – Cylindrical Scrub Brush Drive Group, Left Side

Ref.	Part No.	Serial Number	Description	Qty.
	1	1021019	(008000– ) Housing Wldt, Brush, Drive	1
	2	15675	(008000– ) Screw, Hex, M8 X 1.25 X 16, Ss	4
	3	1023617	(008000– ) Tube, Hyd, 08 Jf08/Jm08	1
▽	4	1068811	(008000– ) Motor, Hyd, Gear, Int 04.5 Bi–Dir 1500	1
▲	5	39527	(008000– ) Nut, Hex, Sltld, .75–18	1
	6	44868	(008000– ) Fitting, Hyd, E90, Jm08/Om08	2
	7	55586	(008000– ) Fitting, Hyd, Str, Jm04/Om04	1
	8	1026080	(008000– ) Clamp, Hyd, 0.50d	1
	9	1054575	(008000– ) Bracket, Sppt	1
	10	1029964	(008000– ) Door Wldt, Brush	1
	11	01762	(008000– ) Screw, Hex, .38–16 X 0.75, NI	4
	12	08175	(008000– ) Pin, Cotter, .125 X 1.25	1
	13	1057643	(008000– ) Plug Wldt, Drive, Brush, Sweep	1
	14	1065134	(008000– ) Latch, Cmpr, Yel Grip	1
	15	1026352	(008000– ) Pawl, Str	1
	16	09740	(008000– ) Screw, Hex, M8 X 1.25 X 20, Ss	1
▽		9012832	(008000– ) Idler Door Kit, Replmt [M20/T20/M30/T12]	2
▲	17	1054857	(008000– ) Door Wldt, Brush, Idler	1
▲	18	25686	(008000– ) Plug Wldt, Drive, Brush	1
▲	19	13534	(008000– ) Bearing, Ball, 0.98b 2.05d 0.59w	2
▲	20	56078	(008000– ) Shaft, Brush, Idler	1
▲	21	09005	(008000– ) Ring, Retaining, Ext, 1.00d, Basic	2
▲	22	12295	(008000– ) Nut, Hex, Sltld, M20 X 2.5, 8	1
▲	23	08175	(008000– ) Pin, Cotter, .125 X 1.25	1
▲	24	00927	(008000– ) Key, Sq, 0.25 X 0.25, 1.25l	1
▲	25	1074807	(008000– ) Cap, Vinyl, 57mmid X 23mml	1
	26	32491	(008000– ) Washer, Flat, 0.31, Std	7
	27	09010	(008000– ) Screw, Hex, M8 X 1.25 X 25, Ss	2
	28	1054682	(008000– ) Bracket, Retainer, Lh	1

**Fig. 35 – Cylindrical Scrub Brush Drive Group, Right Side**

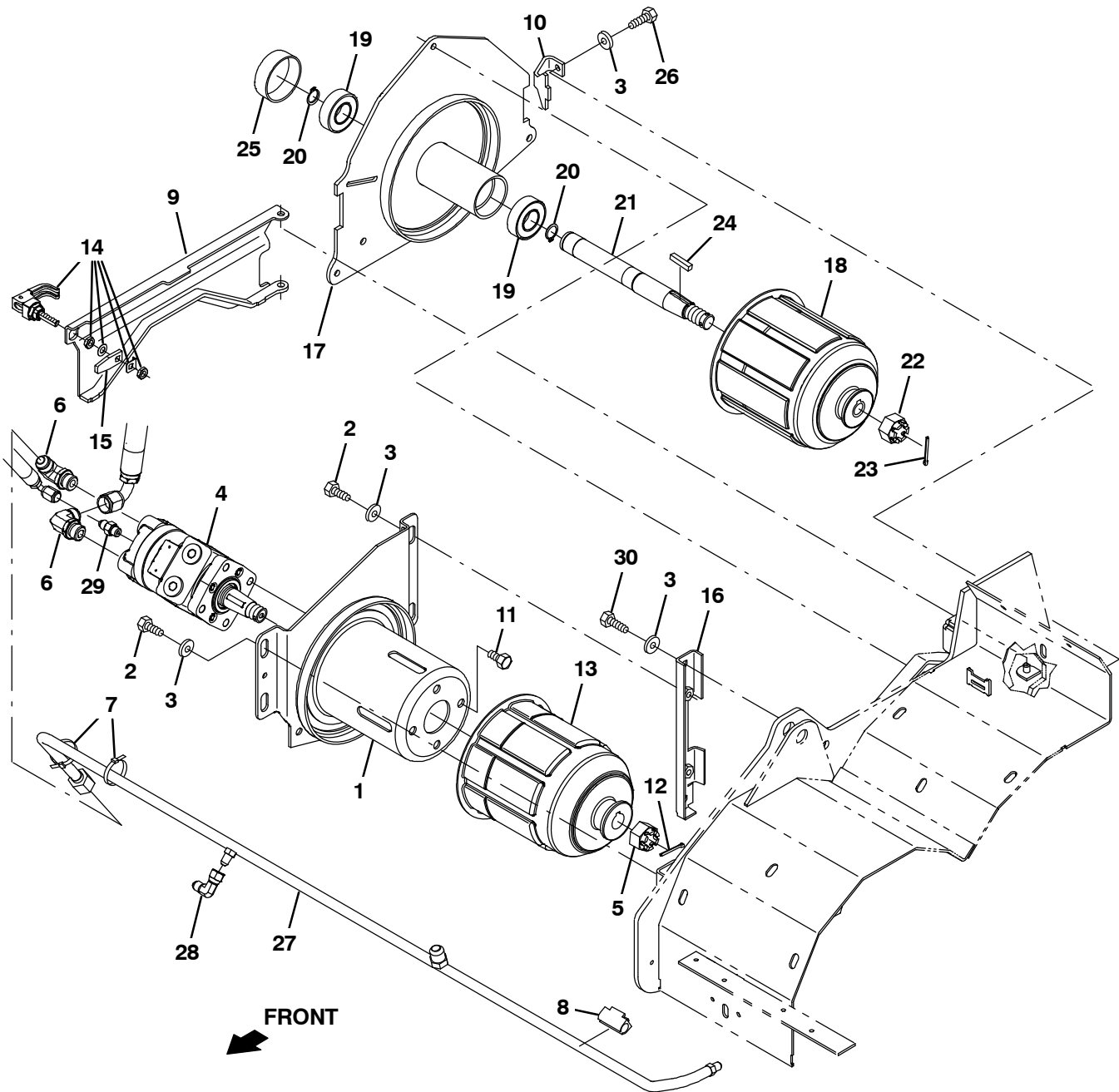


Fig. 35 – Cylindrical Scrub Brush Drive Group, Right Side

Ref.	Part No.	Serial Number	Description	Qty.
	1	1021019	(008000– ) Housing Wldt, Brush, Drive	1
	2	15675	(008000– ) Screw, Hex, M8 X 1.25 X 16, Ss	4
	3	32491	(008000– ) Washer, Flat, 0.31, Std	7
▽	4	1068811	(008000– ) Motor, Hyd, Gear, Int 04.5 Bi-Dir 1500	1
▲	5	39527	(008000– ) Nut, Hex, Sltd, .75–16	1
	6	44868	(008000– ) Fitting, Hyd, E90, Jm08/Om08	2
	7	49266	(008000– ) Tie, Cable, Nyl, 07.3l .19w 1.8 Max D	2
	8	1026080	(008000– ) Clamp, Hyd, 0.50d	1
	9	1029964	(008000– ) Door Wldt, Brush	1
	10	1054610	(008000– ) Bracket, Retainer, Rh	1
	11	01762	(008000– ) Screw, Hex, .38–16 X 0.75, NI	4
	12	08175	(008000– ) Pin, Cotter, .125 X 1.25	1
	13	1057643	(008000– ) Plug Wldt, Drive, Brush, Sweep	1
	14	1065134	(008000– ) Latch, Cmpr, Yel Grip	1
	15	1026352	(008000– ) Pawl, Str	1
	16	1054575	(008000– ) Bracket, Sppt	1
▽		9012832	(008000– ) Idler Door Kit, Replmt [M20/T20/M30/T12]	2
▲	17	1054857	(008000– ) Door Wldt, Brush, Idler	1
▲	18	25686	(008000– ) Plug Wldt, Drive, Brush	1
▲	19	13534	(008000– ) Bearing, Ball, 0.98b 2.05d 0.59w	2
▲	20	09005	(008000– ) Ring, Retaining, Ext, 1.00d, Basic	2
▲	21	56078	(008000– ) Shaft, Brush, Idler	1
▲	22	12295	(008000– ) Nut, Hex, Sltd, M20 X 2.5, 8	1
▲	23	08175	(008000– ) Pin, Cotter, .125 X 1.25	1
▲	24	00927	(008000– ) Key, Sq, 0.25 X 0.25, 1.25l	1
▲	25	1074807	(008000– ) Cap, Vinyl, 57mmid X 23mml	1
	26	09740	(008000– ) Screw, Hex, M8 X 1.25 X 20, Ss	1
	27	1055139	(008000– ) Tube, Hyd, Brush Return, W/ Cd [M20/T20]	1
	28	39210	(008000– ) Fitting, Hyd, E90, Jf04/Jm04	1
	29	55586	(008000– ) Fitting, Hyd, Str, Jm04/Om04	1
	30	09010	(008000– ) Screw, Hex, M8 X 1.25 X 25, Ss	2

**Fig. 36 - Cylindrical Scrub Brush Head Lift Group**

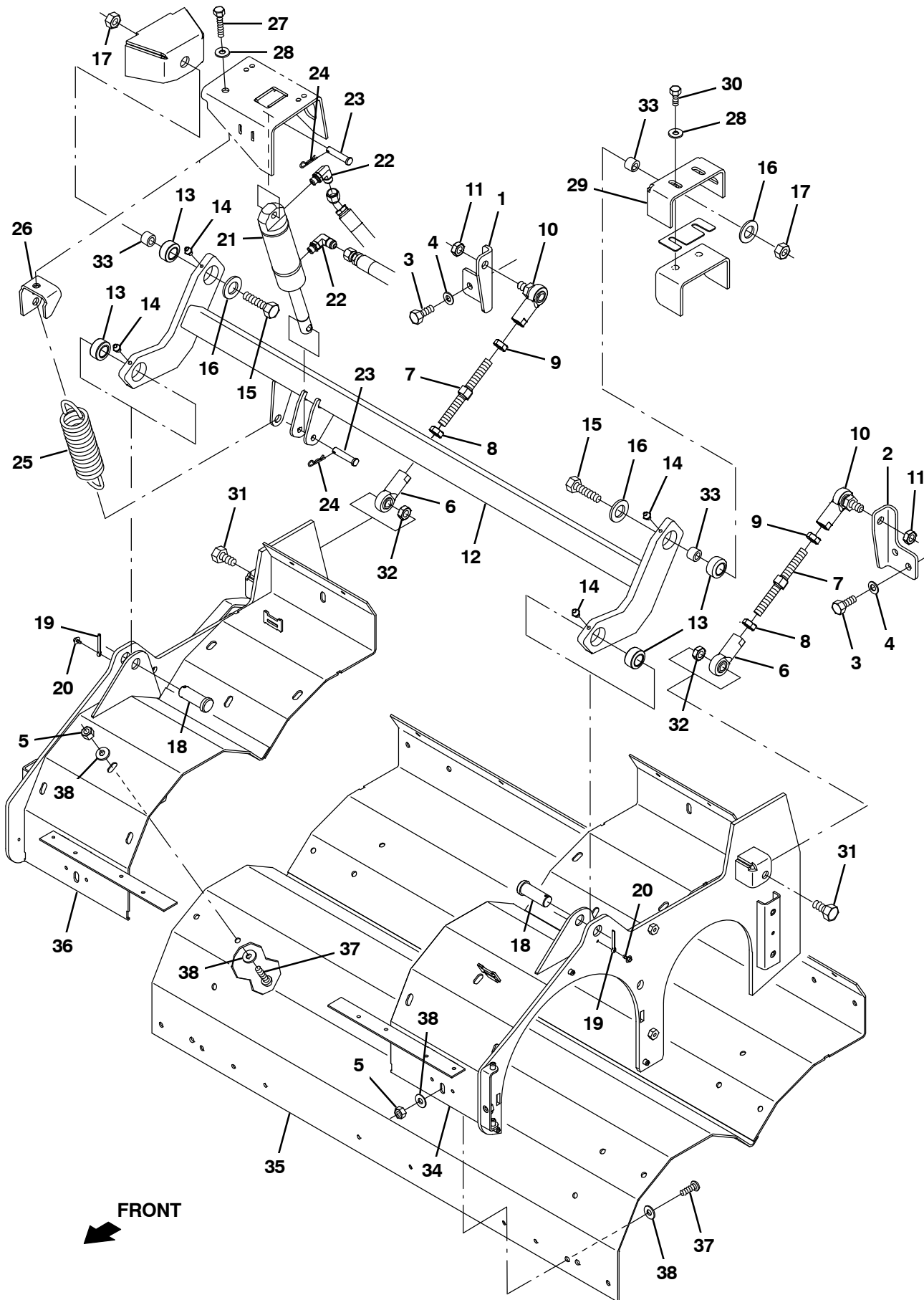


Fig. 36 – Cylindrical Scrub Brush Head Lift Group

Ref.	Part No.	Serial Number	Description	Qty.
1	1030910	(008000–	) Bracket, Mtg, Scb Head, Rh	1
2	1030911	(008000–	) Bracket, Mtg, Scb Head, Lh	1
3	09028	(008000–	) Screw, Hex, M10 X 1.5 X 25, Ss	4
4	32485	(008000–	) Washer, Flat, 0.38 Sae	4
5	08713	(008000–	) Nut, Hex, Lock, M8 X 1.25, NI, Ss	10
6	67555	(008000–	) Rod–End, .50–20rh Fem 0.50b	2
7	1014705	(008000–	) Rod, Thrd, 2 End, .50–20 04.9l, Rh / Lh	2
8	48985	(008000–	) Nut, Hex, Jam, .50–20	2
9	71369	(008000–	) Nut, Hex, Jam, .50–20, Lh	2
10	382099	(008000–	) Rod–End, .50–20lh Fem 0.50–20stud	2
11	51824	(008000–	) Nut, Hex, Lock, .50–20, NI, Thin	2
12	1020003	(008000–	) Tube Wldt, Torque	1
13	42120	(008000–	) Bearing, Self Align, 0.75b 1.25d	4
14	07259	(008000–	) Fitting, Grease, Str Pm04 .47l	4
15	06969	(008000–	) Screw, Hex, M12 X 1.75 X 40, 8.8	2
16	41619	(008000–	) Washer, Flat, 0.56b 1.38d .11, Ss	2
17	09741	(008000–	) Nut, Hex, Lock, M12 X 1.75, NI, Ss	2
18	04733–12	(008000–	) Pin, Clevis, 0.75d X 2.00l	2
19	08236	(008000–	) Pin, Cotter, .156 X 1.25	2
20	223198	(008000–	) Screw, Hex, M5 X 0.8 X 10, Fmg	2
21	1038137	(008000–	) Cylinder, Hyd, 1.5b 07.8l 02.80strk 2500	1
22	77098	(008000–	) Fitting, Hyd, E90, Jm06/Om04	2
23	17461	(008000–	) Pin, Clevis, 0.37d X 1.75l	2
24	86866	(008000–	) Pin, Cotter, Hair, 0.38d .072 Wir	2
25	1042686	(008000–	) Spring, Extn, 2.00od 0.25wir 07.5l	1
26	1027810	(008000–	) Bracket, Mtg, Spring	1
27	763090	(008000–	) Screw, Hex, M8 X 1.25 X 60, FI	1
28	32491	(008000–	) Washer, Flat, 0.31, Std	4
29	1019146	(008000–	) Bracket, Mtg, Lift, Scb Head	1
30	09740	(008000–	) Screw, Hex, M8 X 1.25 X 20, Ss	3
31	39811	(008000–	) Screw, Hex, .50–13 X 1.50, 5	2
32	36644	(008000–	) Nut, Hex, Lock, .50–13, NI, Thin	2
33	1025100	(008000–	) Sleeve, P/M, 0.47b 0.75d 0.5l [430ss]	3
34	1052342	(008000–	) Bracket Wldt, Brush Wrap, Lh	1
35	1069562	(008000–014000	) Plate Wldt, Wrap, Brush	1
35	1077002	(014001–	) Plate Wldt, Wrap, Brush	1
36	1052124	(008000–	) Bracket Wldt, Brush Wrap Mtg, Rh	1
37	223470	(008000–	) Screw, Btn, M8 X 1.25 X 25, Ss	10
38	32491	(008000–	) Washer, Flat, 0.31, Std	20

**Fig. 37 - Cylindrical Brush Head Skirt Group**

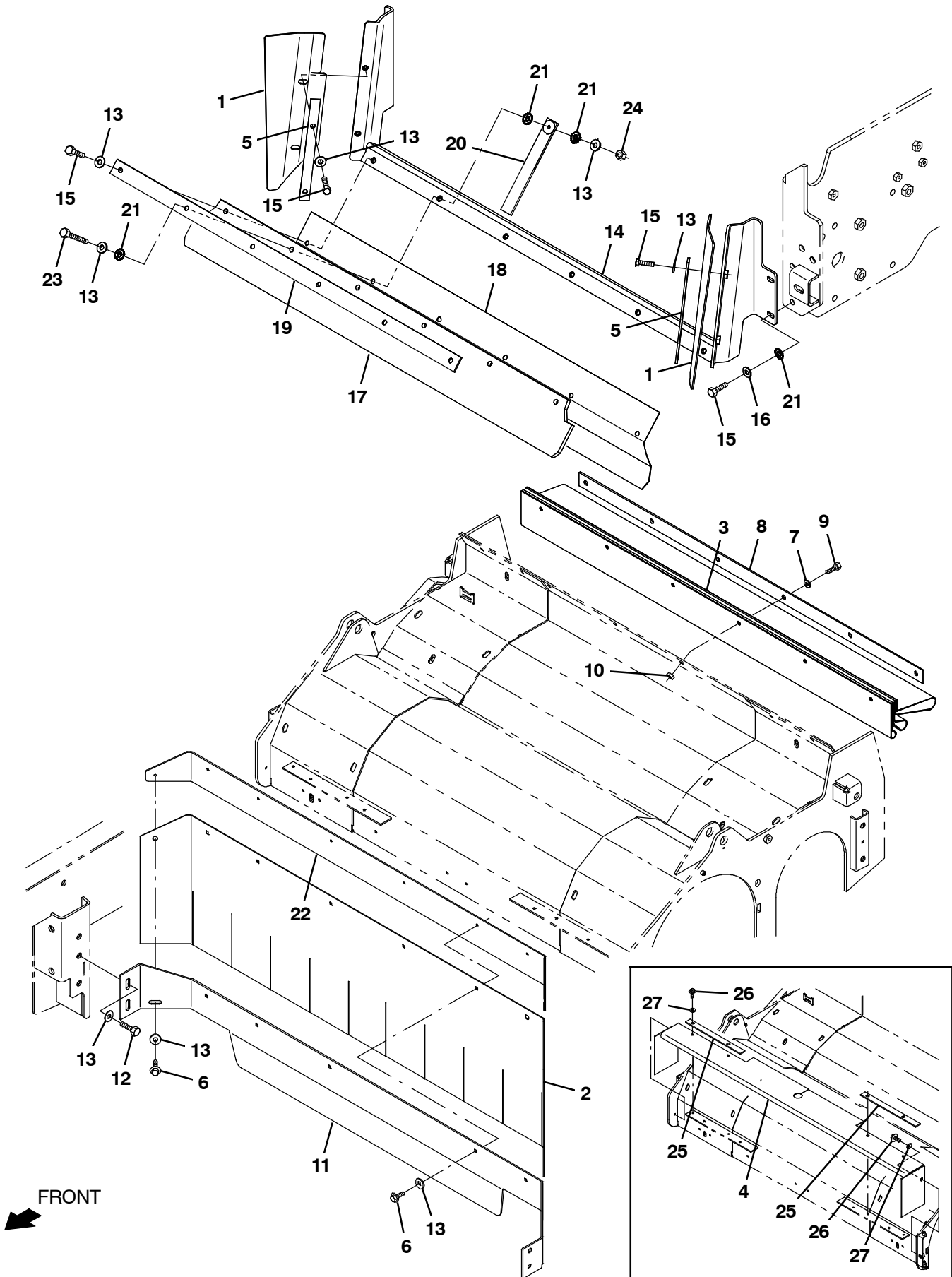


Fig. 37 - Cylindrical Brush Head Skirt Group

Ref.	Part No.	Serial Number	Description	Qty.
1	1022165	(008000-	) Skirt, Neo, .12, 05.39w 14.01l, 02 Sl	2
2	1020166	(008000-	) Skirt, Neo, .06, 12.00w 45.88l, 07 Hole	1
3	1026108	(008000-	) Skirt, Neo, .06, 26.99w 40.55l, 36 Hole	1
4	1022363	(008000-014000	) Skirt, Neo, .06, 07.63w 51.52l, 11 Hole	1
5	1022003	(008000-	) Retainer, Skirt	2
6	361339	(008000-	) Screw, Hex, M6 X 1.0 X 16, Fmg	7
7	01684	(008000-	) Washer, Flat, 0.25, Ss	6
8	1020828	(008000-	) Strip, Flap, Recirculation	1
9	07805	(008000-	) Screw, Hex, M6 X 1.0 X 35, Ss	6
10	08712	(008000-	) Nut, Hex, Lock, M6 X 1.0, Ss, NI	6
11	1039396	(008000-	) Bracket, Mtg, Skirt	1
12	09740	(008000-	) Screw, Hex, M8 X 1.25 X 20, Ss	4
13	01685	(008000-	) Washer, Flat, 0.31, Ss	22
14	1022179	(008000-	) Bracket Wldt, Flap, Recirculation	1
15	09010	(008000-	) Screw, Hex, M8 X 1.25 X 25, Ss	13
16	32491	(008000-	) Washer, Flat, 0.31, Std	4
17	1022007	(008000-	) Skirt, Rbr, .37, 04.50w 40.94l, 06 Hole	1
18	1022009	(008000-	) Skirt, Neo, .06, 06.38w 40.86l, 06 Hole	1
19	1020828	(008000-	) Strip, Flap, Recirculation	1
20	1028852	(008000-	) Strap, Static, Afrmkt	1
21	41141	(008000-	) Washer, Lock, Int- Ext, 0.31	7
22	1040018	(008000-	) Plate, Skirt, Front	1
23	33401	(008000-	) Screw, Hex, M8 X 1.25 X 50, Ss, FI	1
24	08713	(008000-	) Nut, Hex, Lock, M8 X 1.25, NI, Ss	1
25	1022003	(008000-014000	) Retainer, Skirt	2
26	361339	(008000-014000	) Screw, Hex, M6 X 1.0 X 16, Fmg	6
27	01684	(008000-014000	) Washer, Flat, 0.25, Ss	6

**Fig. 38 - Squeegee Lift Group, Rear**

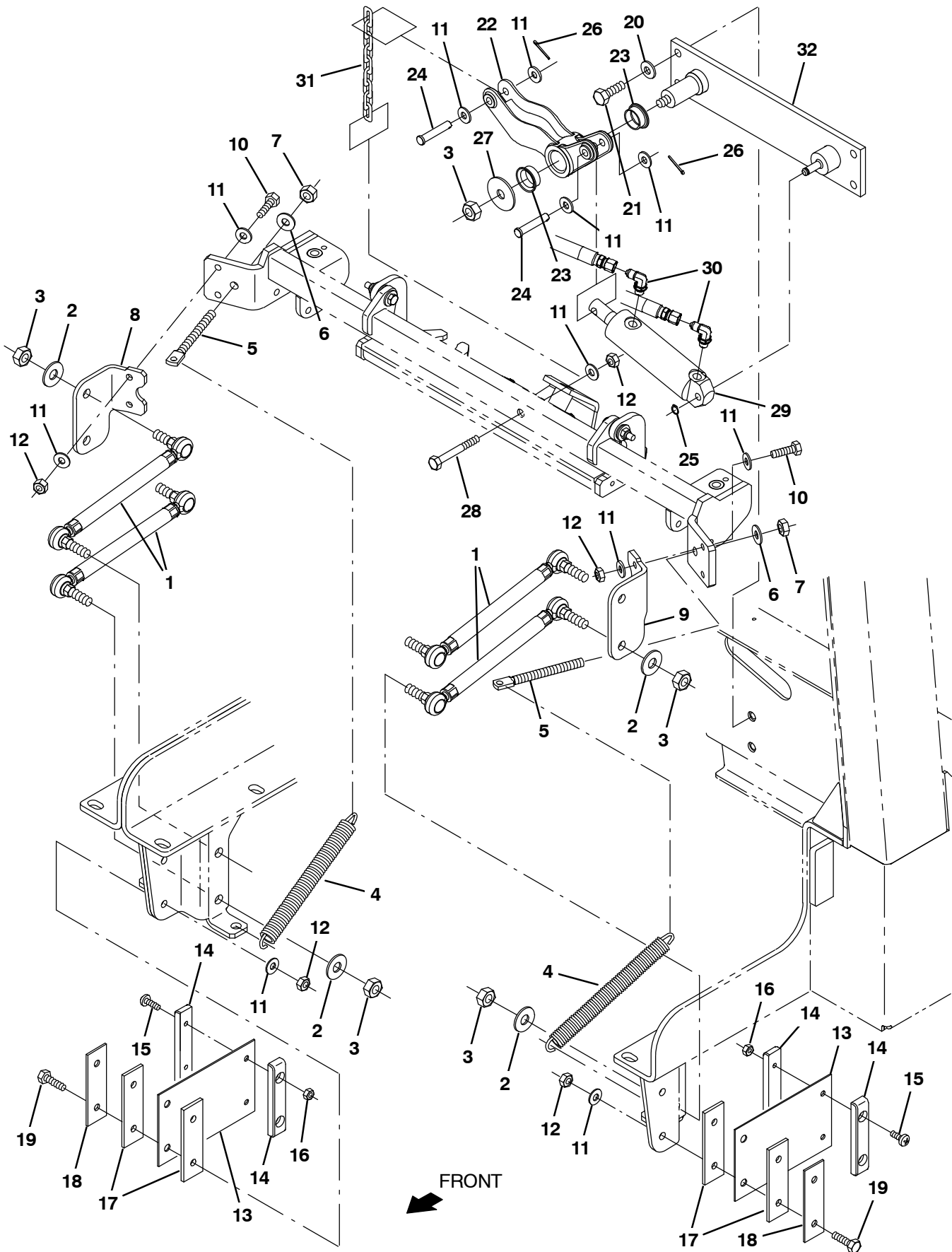




Fig. 38 – Squeegee Lift Group, Rear

Ref.	Part No.	Serial Number	Description	Qty.
1	1026007	(008000–	) Link Assy, Rod–End, M12	4
2	41619	(008000–	) Washer, Flat, 0.56b 1.38d .11, Ss	8
3	09741	(008000–	) Nut, Hex, Lock, M12 X 1.75, NI, Ss	9
4	46785–1	(008000–	) Spring, Extn, 0.88od X 0.14wir, 9.0l	2
5	386847	(008000–	) Bolt, Eye, M10 X 1.50 X 064mm, 07.10 Eye	2
6	01686	(008000–	) Washer, Flat, 0.44b 1.00d .08, Ss	2
7	08714	(008000–	) Nut, Hex, Lock, M10 X 1.5, NI, Ss	2
8	1022372	(008000–	) Angle, Rh	1
9	1022442	(008000–	) Angle, Lh	1
10	09010	(008000–	) Screw, Hex, M8 X 1.25 X 25, Ss	4
11	01685	(008000–	) Washer, Flat, 0.31, Ss	15
12	08713	(008000–	) Nut, Hex, Lock, M8 X 1.25, NI, Ss	9
13	71204	(008000–	) Spring, Flt, 0.08th, 4.50w X 07.0l	2
14	1024648	(008000–	) Block, Centering	4
15	367770	(008000–	) Screw, Pan, M6 X 1.0 X 16, Ss	4
16	08712	(008000–	) Nut, Hex, Lock, M6 X 1.0, Ss, NI	4
17	1024641	(008000–	) Spacer, Pad, Rbr	4
18	1024703	(008000–	) Retainer, Spring	2
19	09023	(008000–	) Screw, Hex, M8 X 1.25 X 35, Ss, Fl	4
20	41187	(008000–	) Washer, Flat, Belleville, .38	4
21	12317	(008000–	) Screw, Hex, M10 X 1.5 X 30, Ss	4
22	1025680	(008000–	) Bellcrank, Lift, Sqge	1
23	367313	(008000–	) Bushing, Flng, 1.00b 1.13d 0.50l	2
24	29584	(008000–	) Pin, Clevis, 0.37d X 2.00l	2
25	23524–1	(008000–	) Ring, Retaining, Ext, 0.38d, [Selflock]	1
26	08179	(008000–	) Pin, Cotter, .094 X 1.00	2
27	04414	(008000–	) Washer, Flat, 0.53b 1.88d .12, Stl, Pl	1
28	06957	(008000–	) Screw, Hex, M8 X 1.25 X 60, 8.8	1
29	1038137	(008000–	) Cylinder, Hyd, 1.5b 07.8l 02.80strk 2500	1
30	77097	(008000–	) Fitting, Hyd, E90, Jm04/Om04	2
31	1023779	(008000–	) Chain, Str, 4/0, 08 Link	1
32	1021609	(008000–	) Plate Wldt, Lift, Sqge	1

**Fig. 39 – Squeegee Group, Rear**

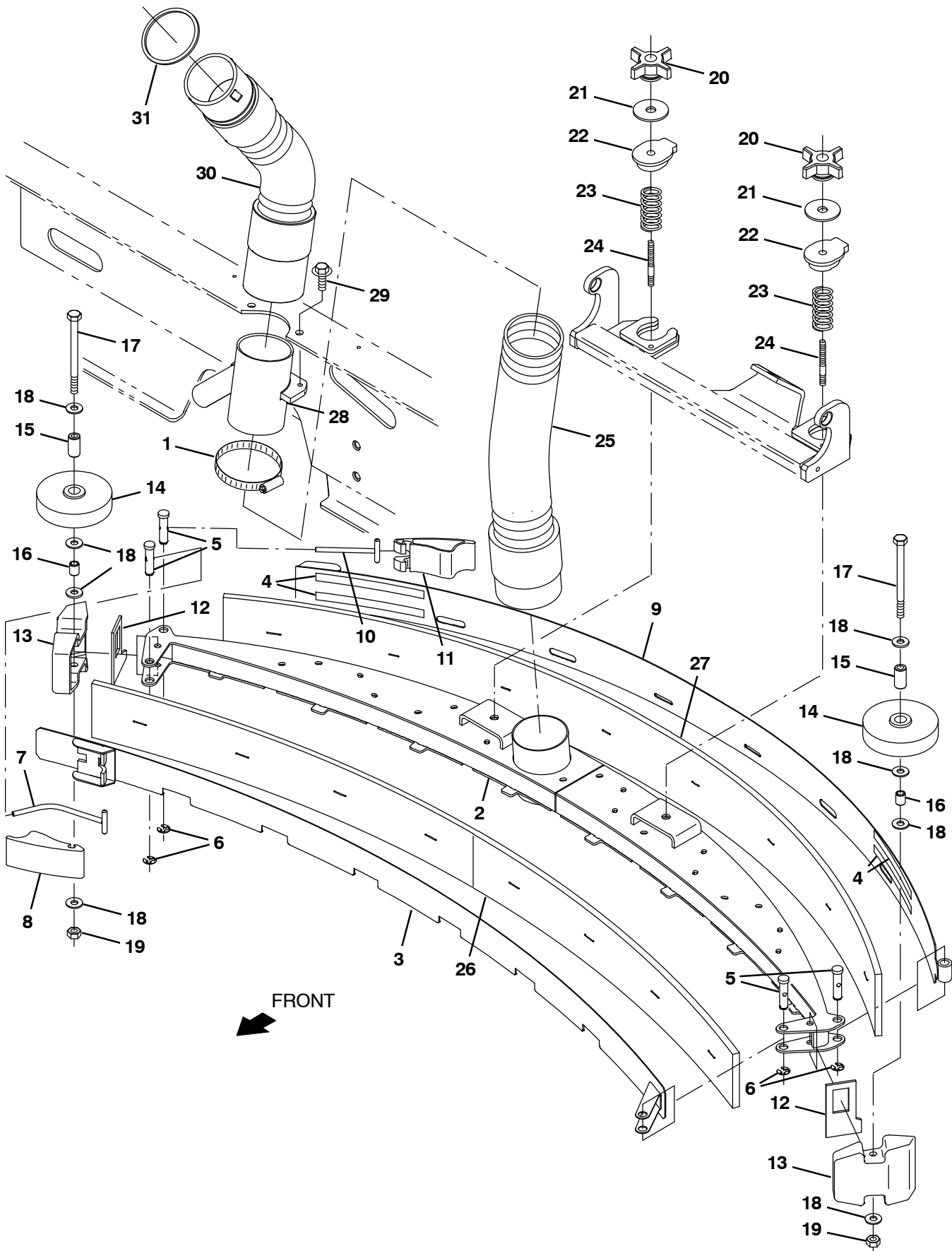


Fig. 39 – Squeegee Group, Rear

Ref.	Part No.	Serial Number	Description	Qty.
	1	43555	(008000– ) Clamp, Hose, Wormdrive, 2.50–3.50d, .50w	1
▽	9004493	(008000– )	Squeegee Kit, Rear, Replmt [M20/T20]	1
▲	2	1022831	(008000– ) Squeegee Wldt, Rear	1
▲	3	1023239	(008000– ) Clamp Wldt, Front	1
▲	4	03495	(008000– ) Strip, Non-Slip, 0.50w 06.0l	4
▲	5	21603	(008000– ) Pin, Grvd, 0.43d 01.8l [303ss]	4
▲	6	24555	(008000– ) Ring, Retaining, Ext, 0.38d, [E-Ring]	4
▲	7	386298	(008000– ) Pin Wldt, Front	1
▲	8	1222020	(008000– ) Cam, Front, Yellow	1
▲	9	1028374	(008000– ) Clamp Wldt, Rear	1
▲	10	21606	(008000– ) Bar Wldt, Retainer, Sqge, Rear	1
▲	11	1208906	(008000– ) Cam, Rear, Yellow	1
▲	12	83874	(008000– ) Gasket, Sqge	2
▲	13	386264	(008000– ) Bumper, Sqge	2
▲	14	363162	(008000– ) Wheel, 4.0d 0.89w 0.64b	2
▲	15	363301	(008000– ) Sleeve, P/M, 0.34b 0.63d 1.2l, Bnz	2
▲	16	80395	(008000– ) Sleeve, P/M, 0.31b 0.50d 0.7l [430ss]	2
▲	17	364441	(008000– ) Screw, Hex, M8 X 1.25 X 110, Ss	2
▲	18	01685	(008000– ) Washer, Flat, 0.31, Ss	8
▲	19	08713	(008000– ) Nut, Hex, Lock, M8 X 1.25, NI, Ss	2
	20	1218322	(008000– ) Knob, Star, 2.75d 4ear, M8x1.25 Fem	2
	21	04414	(008000– ) Washer, Flat, 0.53b 1.88d .12, Stl, PI	2
	22	387433	(008000– ) Ring, Mtg, Sqge, .50l	2
	23	387500	(008000– ) Spring, Cmpr, 0.9od .042wir 02.0l	2
	24	1226700	(008000– ) Stud, M8 X 1.25, 2.75l M8 X 1.25, Ss	2
	25	1021511	(008000–010516 ) Hose, Vacuum, 3.00id X 019.0l, 1cuff	1
	25	1234534	(010517– ) Hose, Vacuum, 3.00id X 019.0l, 1cuff	1
	26	1017868	(008000– ) Blade, Sqge, Front, 49.58l [Linard]	1
	26	1027719	(008000– ) Blade, Sqge, Front, 49.58l Ure (Option)	1
	27	1031331	(008000– ) Blade, Sqge, Rear, Linatex	1
	27	1031945	(008000– ) Blade, Sqge, Rear, 53.78l Ure (Option)	1
	28	1036240	(008000– ) Tube, Vacuum	1
	29	1037346	(008000– ) Screw, Hex, M8 X 1.25 X 25, 9.8, Sems	2
	30	1031610	(008000– ) Hose Assy, Sqge	1
	31	1021920	(008000– ) Gasket, 3.23id 3.63od .16th, Ure	1

**Fig. 40 – Squeegee Linkage Group, Rear**

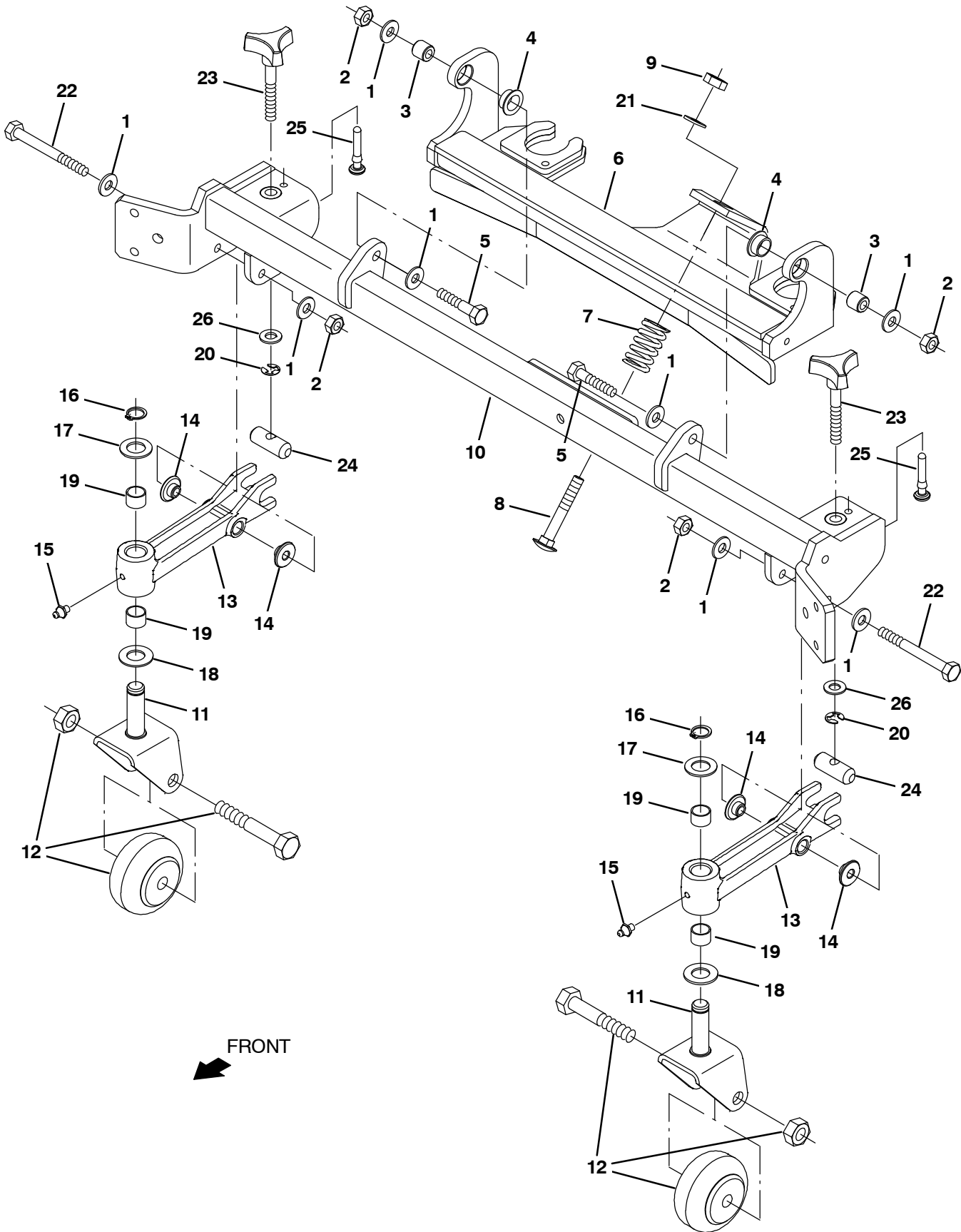


Fig. 40 – Squeegee Linkage Group, Rear

Ref.	Part No.	Serial Number	Description	Qty.
1	01685	(008000–	) Washer, Flat, 0.31, Ss	8
2	08713	(008000–	) Nut, Hex, Lock, M8 X 1.25, NI, Ss	4
3	80409	(008000–	) Sleeve, P/M, 0.34b 0.63d 0.6l, Bnz	2
4	25735	(008000–	) Bushing, Flng, 0.63b 0.75d 0.38l	2
5	222505	(008000–	) Screw, Hex, M8 X 1.25 X 45, Ss	2
6	1023476	(008000–	) Bracket Wldt, Mtg, Sqge	1
7	65180	(008000–	) Spring, Dsl, 1.00od 0.50id 1.7l	1
8	1025601	(008000–	) Bolt, Carriage, M10 X 1.5 X 70	1
9	08714	(008000–	) Nut, Hex, Lock, M10 X 1.5, NI, Ss	1
10	1034149	(008000–	) Crossmember Wldt [M20]	1
▽	9017944	(008000–	) Caster Assy, F/ Sqge, Replmt[M20/T20]	2
▲	11 1021404	(008000–	) Bracket Wldt, Mtg, Caster	1
▲	12 9014285	(008000–	) Caster Kit, Rear Squeegee, Am	1
▲	13 1025460	(008000–	) Caster, Pivot	1
▲	14 80950	(008000–	) Bushing, Flng, 0.32b 0.50d 0.24l, Bnz	2
▲	15 07259	(008000–	) Fitting, Grease, Str Pm04 .47l	1
▲	16 33373	(008000–	) Ring, Retaining, Ext, 0.62d, Hd	1
▲	17 63468	(008000–	) Washer, Flat, 0.69b 1.19d .06, Stl, Pl	1
▲	18 64425	(008000–	) Washer, Thrust, 0.61b 1.25d .06, Fgl	1
▲	19 07449	(008000–	) Bushing, Sleeve, 0.62b 0.72d 0.50l, Fgl	2
20	24555	(008000–	) Ring, Retaining, Ext, 0.38d, [E–Ring]	2
21	1014563	(008000–	) Washer, Flat, 0.40b 1.12d .12, Ss	1
22	39281	(008000–	) Screw, Hex, M8 X 1.25 X 90, 8.8	2
23	1222043	(008000–	) Knob Assy, Star, 1.12d 3ear M10, Yellow	2
24	1021497	(008000–	) Pin, 0.63d 01.8l, 1/M10h, 2cham	2
25	1035727	(002050–	) Stop, Rotation	2
26	32485	(008000–	) Washer, Flat, 0.38 Sae	2

Fig. 41 – Squeegee Group, Right Side

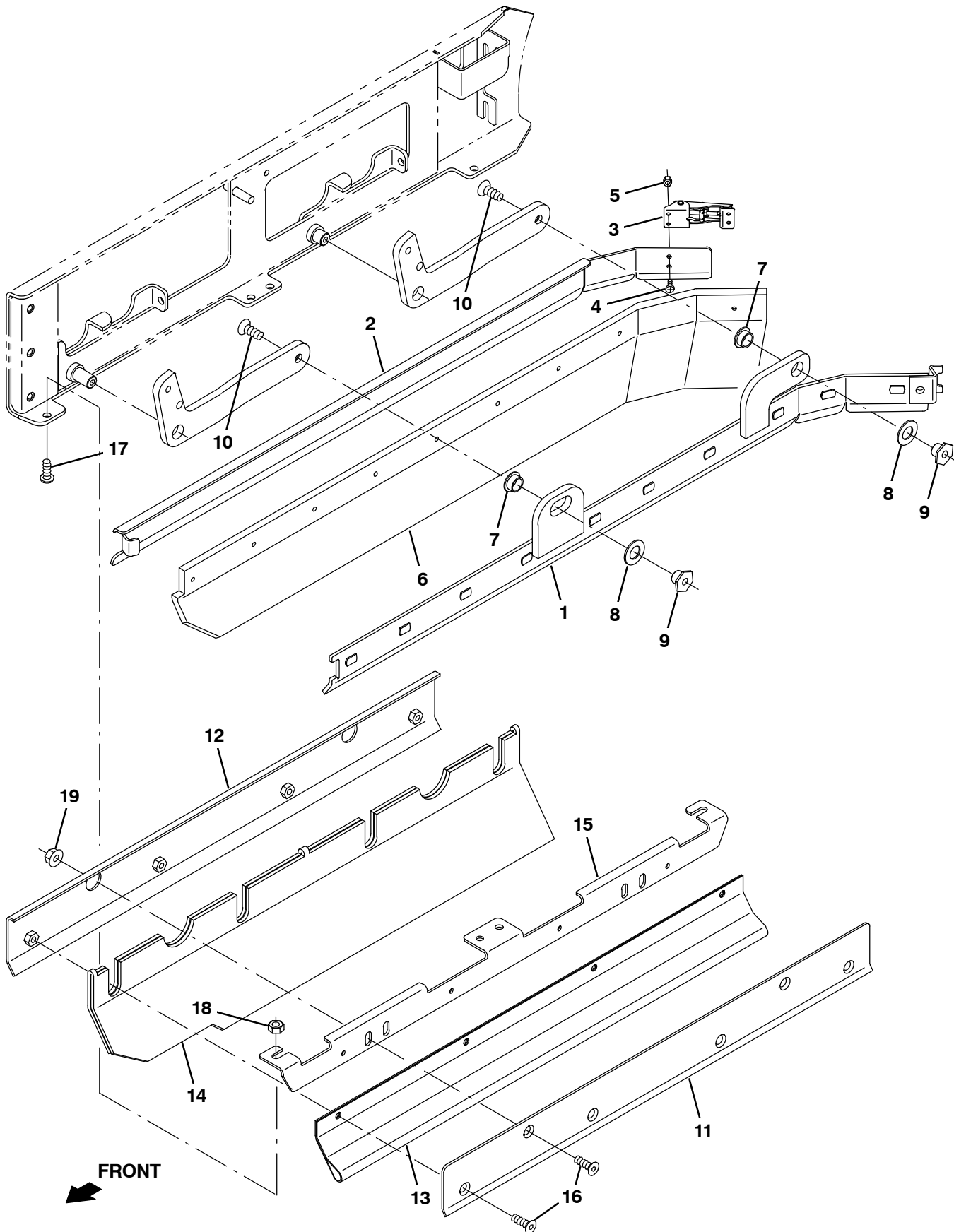


Fig. 41 - Squeegee Group, Right Side

Ref.	Part No.	Serial Number	Description	Qty.
1	1029132	(008000-	) Frame Wldt, Sqge, Rh	1
2	1029128	(008000-	) Retainer, Sqge, Side, Rh	1
3	1222018	(008000-	) Latch, Door, Yellow	1
4	49697	(008000-	) Screw, Pan, M4 X 0.7 X 10, Ss	2
5	33932	(008000-	) Nut, Hex, Lock, M4 X 0.7, NI, Ss	2
6	1031011	(008000-	) Blade, Sqge, .38 3.55w 038.3l, Linatex	1
6	1031823	(008000-	) Blade, Sqge, .38 3.55w 038.3l, Ure (Option)	1
7	25735	(008000-	) Bushing, Flng, 0.63b 0.75d 0.38l	2
8	64425	(008000-	) Washer, Thrust, 0.61b 1.25d .06, Fgl	2
9	1022846	(008000-	) Nut, T, M10 X 1.50 X 15.8od X 13.0l	2
10	09081	(008000-	) Screw, Flt, M10 X 1.5 X 25, 10.9	2
11	1024584	(008000-	) Bracket, Mtg, Skirt, Brush Door	1
12	1024651	(008000-	) Bracket, Mtg, Skirt, Door	1
13	1024586	(008000-	) Skirt, Neo, .06, 06.85w 27.95l, 08 Hole	1
14	1019295	(008000-	) Skirt, Neo, .18, 10.37w 27.95l, 12 H&S	1
15	1025151	(008000-	) Bracket, Mtg, Skirt, Door, Brush	1
16	222463	(008000-	) Screw, Flt, M8 X 1.25 X 20, Blk	6
17	393135	(008000-	) Screw, Btn, M8 X 1.25 X 20, Blk	4
18	08713	(008000-	) Nut, Hex, Lock, M8 X 1.25, NI, Ss	4
19	07791	(008000-	) Nut, Hex, Flng, M8 X 1.25	2

**Fig. 42 – Squeegee Lift Group, Right Side**

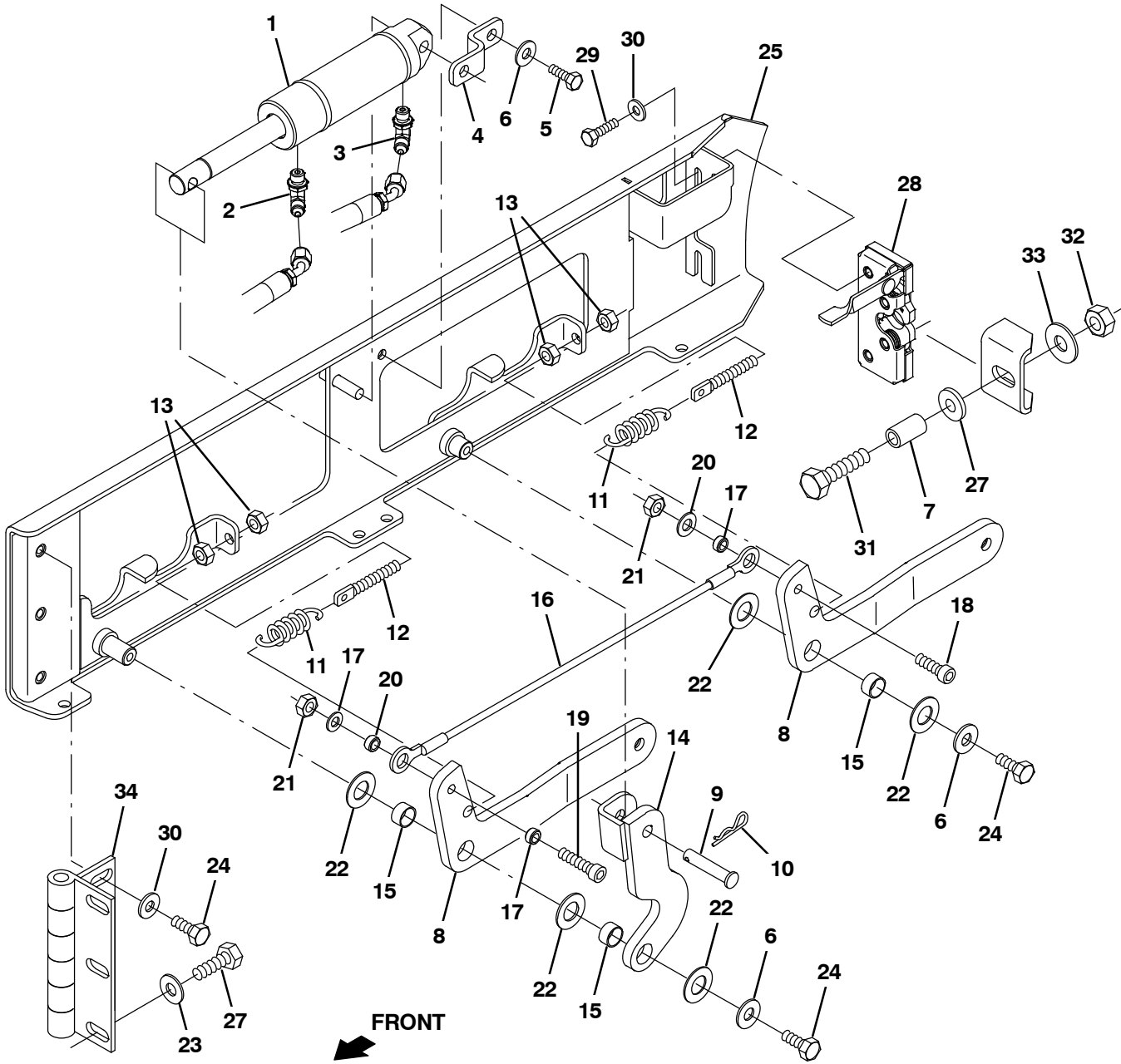




Fig. 42 – Squeegee Lift Group, Right Side

Ref.	Part No.	Serial Number	Description	Qty.
1	1038137	(008000–	) Cylinder, Hyd, 1.5b 07.8l 02.80strk 2500	1
2	77097	(008000–	) Fitting, Hyd, E90, Jm04/Om04	1
3	1028635	(008000–	) Fitting, Hyd, Rst, Spcl	1
4	1022825	(008000–	) Bracket, Mtg, Cyl	1
5	08716	(008000–	) Screw, Hex, M6 X 1.00 X 20, Ss	1
6	01685	(008000–	) Washer, Flat, 0.31, Ss	3
7	1039348	(008000–	) Sleeve, 0.49b 0.68d 1.2l [304ss]	1
8	1020548	(008000–	) Arm, Sqge, Side, Rh	2
9	17461	(008000–	) Pin, Clevis, 0.37D X 1.75L	1
10	08182	(008000–	) Pin, Cotter, .125 X 1.00	1
11	87816	(008000–	) Spring, Extn, 0.75od X 0.09wir, 2.5l	2
12	386088	(008000–	) Bolt, Eye, M08 X 1.25 X 070mm, 05.50 Eye	2
13	07786	(008000–	) Nut, Hex, Std, M8 X 1.25, Ss	4
14	1023306	(008000–	) Arm Wldt, Sqge, Lift, Rh	1
15	71607	(008000–	) Bushing, Sleeve, 0.63b 0.72d 0.38l	3
16	81784	(008000–	) Cable, Glv .13d 015.8l .50eye /.50eye	1
17	360801	(008000–	) Sleeve, 0.31b 0.50d 0.3l, Ss	3
18	39308	(008000–	) Screw, Soc, M8 X 1.25 X 25, 12.9	1
19	41445	(008000–	) Screw, Soc, M8 X 1.25 X 35, 12.9	1
20	39349	(008000–	) Washer, Flat, 0.31 Sae	2
21	08709	(008000–	) Nut, Hex, Lock, M8 X 1.25, NI	2
22	64425	(008000–	) Washer, Thrust, 0.61b 1.25d .06, Fgl	5
23	41187	(008000–	) Washer, Flat, Belleville, .38	3
24	09740	(008000–	) Screw, Hex, M8 X 1.25 X 20, Ss	5
25	1019031	(008000–	) Door Wldt, Brush, Rh	1
26	09028	(008000–	) Screw, Hex, M10 X 1.5 X 25, Ss	3
27	36328	(008000–	) Washer, Flat, Belleville, .50	1
28	1222036	(008000–	) Latch, Hook, Yellow	1
29	09007	(008000–	) Screw, Hex, M6 X 1.0 X 25, Ss	2
30	41185	(008000–	) Washer, Flat, Belleville, .25	5
31	379870	(008000–	) Screw, Hex, M12 X 1.75 X 55, Ss	1
32	07788	(008000–	) Nut, Hex, Std, M12 X 1.75, Ss	1
33	41619	(008000–	) Washer, Flat, 0.56b 1.38d .11, Ss	1
34	1024576	(008000–	) Hinge, .50pin .19 4.0w 06.0l 3/0.44sl	1

**Fig. 43 – Squeegee Group, Left Side**

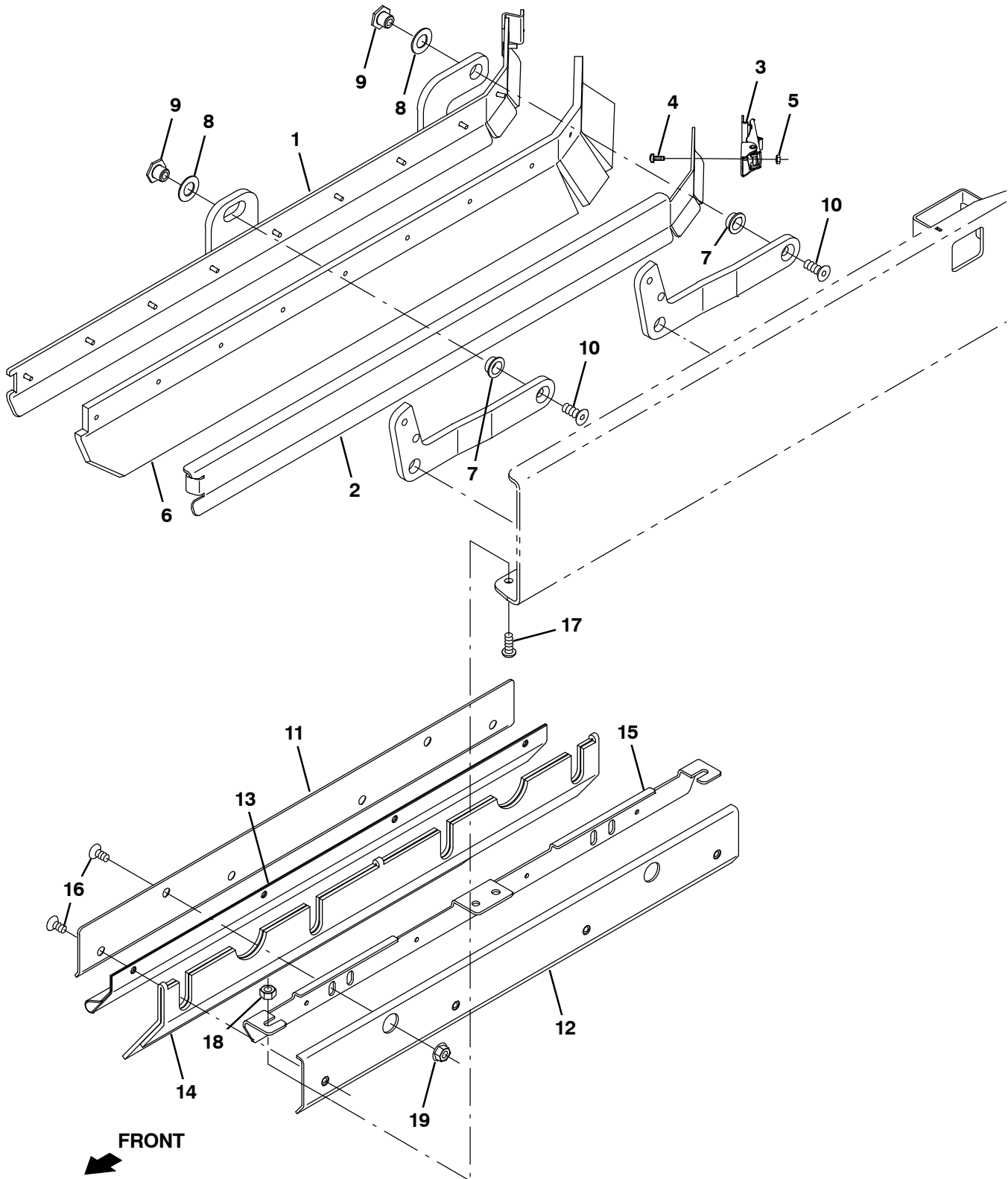


Fig. 43 - Squeegee Group, Left Side

Ref.	Part No.	Serial Number	Description	Qty.
1	1028972	(008000-	) Frame Wldt, Sqge, Lh	1
2	1028979	(008000-	) Retainer, Sqge, Side, Lh	1
3	1222018	(008000-	) Latch, Door, Yellow	1
4	49697	(008000-	) Screw, Pan, M4 X 0.7 X 10, Ss	2
5	33932	(008000-	) Nut, Hex, Lock, M4 X 0.7, NI, Ss	2
6	1031011	(008000-	) Blade, Sqge, .38 3.55w 038.3l, Linatex	1
6	1031823	(008000-	) Blade, Sqge, .38 3.55w 038.3l, Ure (Option)	1
7	25735	(008000-	) Bushing, Flng, 0.63b 0.75d 0.38l	2
8	64425	(008000-	) Washer, Thrust, 0.61b 1.25d .06, Fgl	2
9	1022846	(008000-	) Nut, T, M10 X 1.50 X 15.8od X 13.0l	2
10	09081	(008000-	) Screw, Flt, M10 X 1.5 X 25, 10.9	2
11	1024584	(008000-	) Bracket, Mtg, Skirt, Brush Door	1
12	1024651	(008000-	) Bracket, Mtg, Skirt, Door	1
13	1024586	(008000-	) Skirt, Neo, .06, 06.85w 27.95l, 08 Hole	1
14	1019295	(008000-	) Skirt, Neo, .18, 10.37w 27.95l, 12 H&S	1
15	1025151	(008000-	) Bracket, Mtg, Skirt, Door, Brush	1
16	222463	(008000-	) Screw, Flt, M8 X 1.25 X 20, Blk	6
17	393135	(008000-	) Screw, Btn, M8 X 1.25 X 20, Blk	4
18	08713	(008000-	) Nut, Hex, Lock, M8 X 1.25, NI, Ss	4
19	07791	(008000-	) Nut, Hex, Flng, M8 X 1.25	2

**Fig. 44 - Squeegee Lift Group, Left Side**

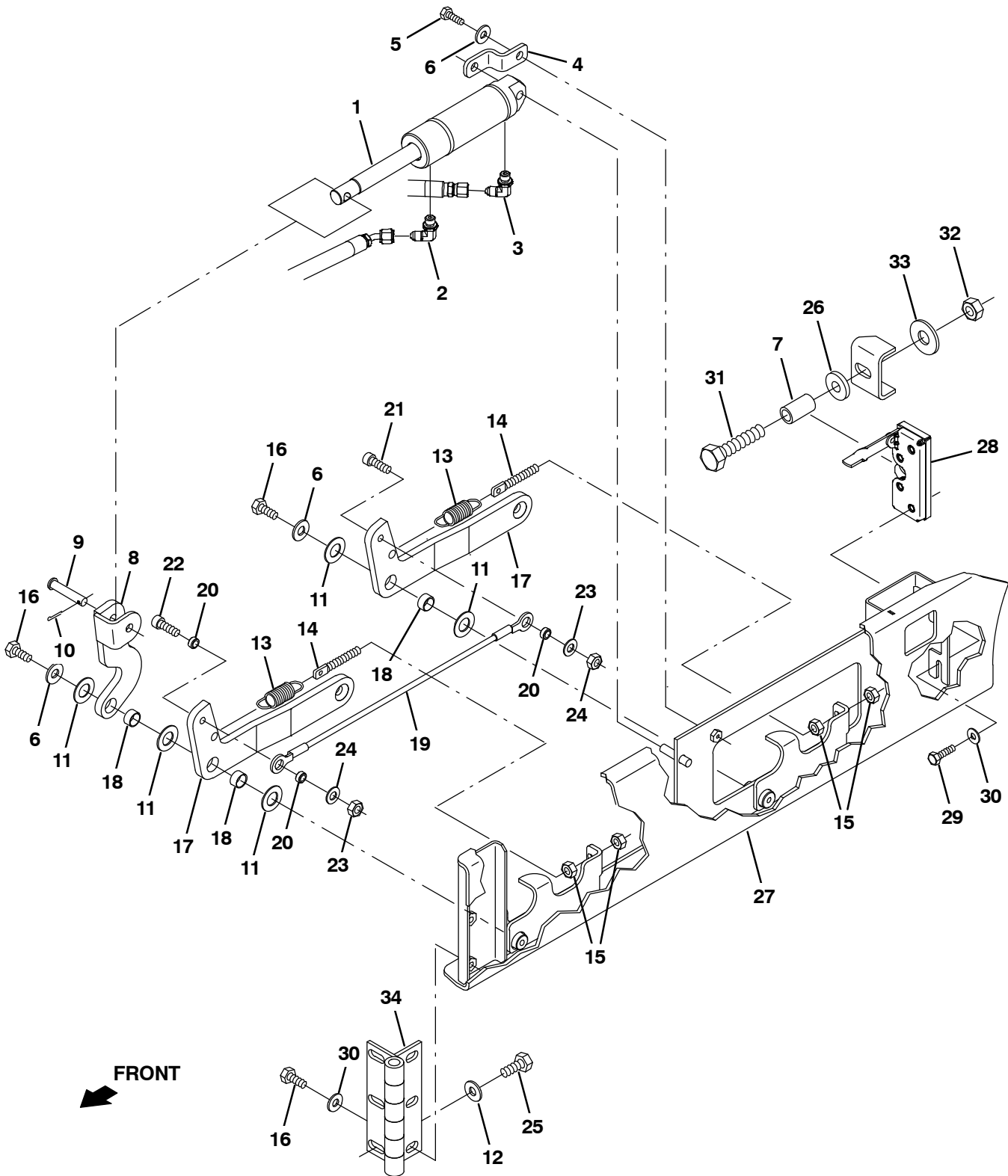


Fig. 44 – Squeegee Lift Group, Left Side

Ref.	Part No.	Serial Number	Description	Qty.
1	1038137	(008000–	) Cylinder, Hyd, 1.5b 07.8l 02.80strk 2500	1
2	77097	(008000–	) Fitting, Hyd, E90, Jm04/Om04	1
3	1028635	(008000–	) Fitting, Hyd, Rst, Spcl	1
4	1022825	(008000–	) Bracket, Mtg, Cyl	1
5	08716	(008000–	) Screw, Hex, M6 X 1.00 X 20, Ss	1
6	01685	(008000–	) Washer, Flat, 0.31, Ss	3
7	1039348	(008000–	) Sleeve, 0.49b 0.68d 1.2l [304ss]	1
8	1022978	(008000–	) Arm Wldt, Lift, Sqge, Lh	1
9	17461	(008000–	) Pin, Clevis, 0.37D X 1.75L	1
10	08182	(008000–	) Pin, Cotter, .125 X 1.00	1
11	64425	(008000–	) Washer, Thrust, 0.61b 1.25d .06, Fgl	5
12	41187	(008000–	) Washer, Flat, Belleville, .38	3
13	87816	(008000–	) Spring, Extn, 0.75od X 0.09wir, 2.5l	2
14	386088	(008000–	) Bolt, Eye, M08 X 1.25 X 070mm, 05.50 Eye	2
15	07786	(008000–	) Nut, Hex, Std, M8 X 1.25, Ss	4
16	09740	(008000–	) Screw, Hex, M8 X 1.25 X 20, Ss	5
17	1023307	(008000–	) Arm, Sqge, Side, Lh	2
18	71607	(008000–	) Bushing, Sleeve, 0.63b 0.72d 0.38l	3
19	81784	(008000–	) Cable, Glv .13d 015.8l .50eye /.50eye	1
20	360801	(008000–	) Sleeve, 0.31b 0.50d 0.3l, Ss	3
21	39308	(008000–	) Screw, Soc, M8 X 1.25 X 25, 12.9	1
22	41445	(008000–	) Screw, Soc, M8 X 1.25 X 35, 12.9	1
23	39349	(008000–	) Washer, Flat, 0.31 Sae	2
24	08709	(008000–	) Nut, Hex, Lock, M8 X 1.25, NI	2
25	09028	(008000–	) Screw, Hex, M10 X 1.5 X 25, Ss	3
26	36328	(008000–	) Washer, Flat, Belleville, .50	1
27	1023314	(008000–	) Door Wldt, Brush, Lh	1
28	1222038	(008000–	) Latch, Hook, Yellow	1
29	09007	(008000–	) Screw, Hex, M6 X 1.0 X 25, Ss	2
30	41185	(008000–	) Washer, Flat, Belleville, .25	5
31	379870	(008000–	) Screw, Hex, M12 X 1.75 X 55, Ss	1
32	07788	(008000–	) Nut, Hex, Std, M12 X 1.75, Ss	1
33	41619	(008000–	) Washer, Flat, 0.56b 1.38d .11, Ss	1
34	1024576	(008000–	) Hinge, .50pin .19 4.0w 06.0l 3/0.44sl	1

**Fig. 45 – Solution Tank Group**

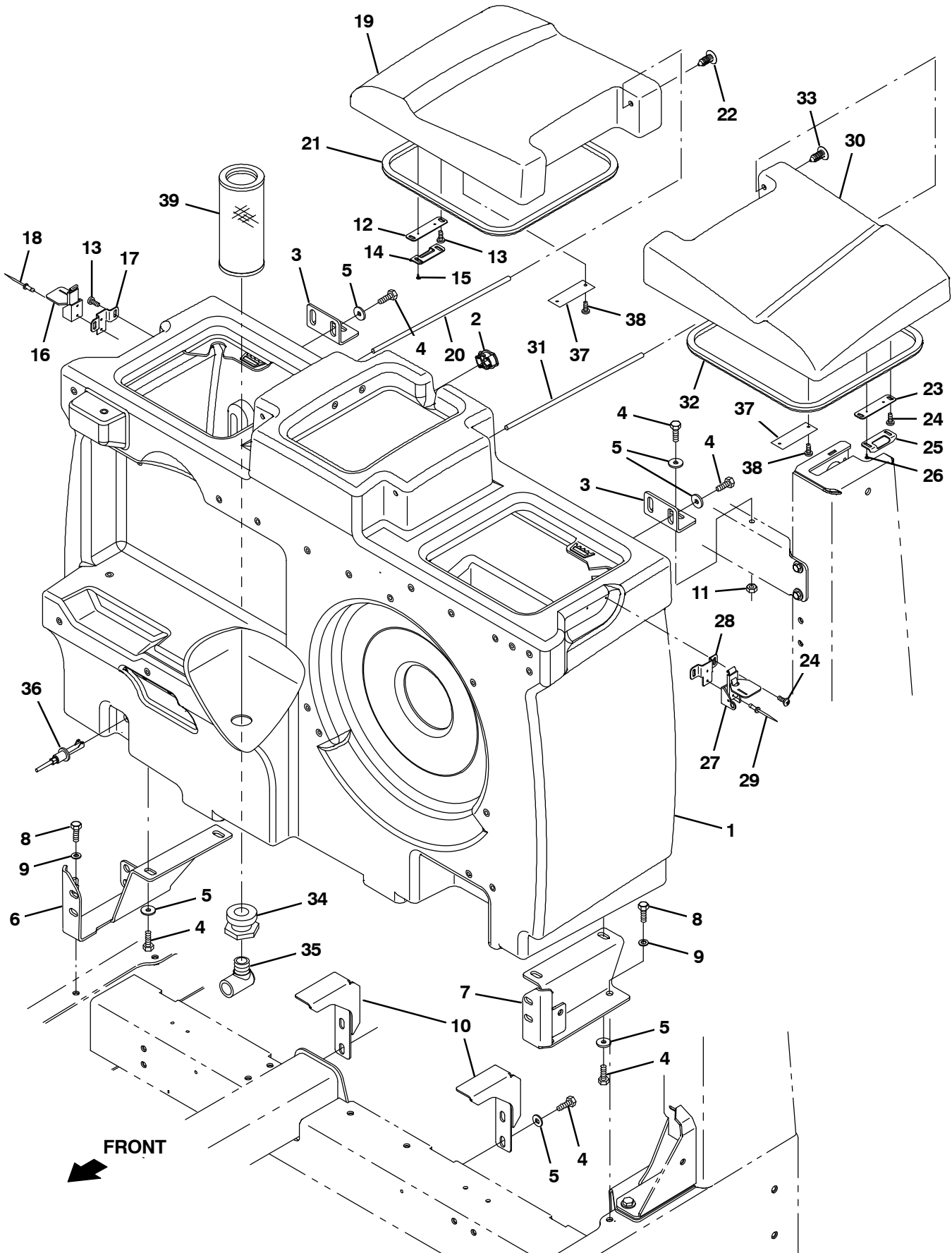


Fig. 45 - Solution Tank Group

Ref.	Part No.	Serial Number	Description	Qty.
1	1027381	(008000-	) Tank, Soltn, W/ Label [M20]	1
2	390994	(008000-	) Plug, Hole, Soltn Tank, Blk Pyu	1
3	1020209	(008000-	) Angle, Sppt, Tank, Rear	2
4	09740	(008000-	) Screw, Hex, M8 X 1.25 X 20, Ss	12
5	1017218	(008000-	) Washer, Flat, 0.32b 1.00d .12, Ss	12
6	1040306	(008000-	) Bracket Wldt, Tank, Soltn, Rh	1
7	1024591	(008000-	) Bracket, Tank, Soltn, Lh	1
8	09010	(008000-	) Screw, Hex, M8 X 1.25 X 25, Ss	4
9	39349	(008000-	) Washer, Flat, 0.31 Sae	4
10	1024389	(008000-	) Bracket, Soltn, Tank, Cntr	2
11	08713	(008000-	) Nut, Hex, Lock, M8 X 1.25, NI, Ss	2
▽	9003069	(008000-	) Cover Kit, Soltn Tank, Rh [M20 & T20]	1
▲▽	9005165	(008000-	) Latch Kit, Cover, Soltn, Replmt[M20/T20]	1
▲▲	12 1039757	(008000-	) Plate, Mtg, Latch	1
▲▲	13 382320	(008000-	) Screw, Pan, Phl, 12-16 X 0.50, F/ Plstc	4
▲▲	14 1048474	(008000-	) Catch, Latch, Tank Cover	1
▲▲	15 222267	(008000-	) Screw, Pan, Phl, 06-20 X 0.50, Fmg/Ab	2
▲▲	16 367949	(008000-	) Latch	1
▲▲	17 1048512	(008000-	) Bracket, Mtg, Latch, Tank Cover	1
▲▲	18 08875	(008000-	) Rivet, Blind, .125d X 0.54 X .25d, Alm	2
▲	19 1022176	(008000-	) Cover, Tank, Soltn, Rh, Trimmed	1
▲	20 1047098	(008000-	) Bar, Rnd, Plstc, 0.31d 12.5l	1
▲	21 1038805	(008000-	) Seal, Bulb, Str, .50Hi .50W 047.2L, Adh	1
▲	22 1068277	(008000-	) Plug, Hole, Rnd, 0.38 H 1.0l, Brb, Nyl	1
▽	9003071	(008000-	) Cover Kit, Tank, Soltn, Rh, Replmt, Ce (Japan and Europe Only)	1
▲▽	9005165	(008000-	) Latch Kit, Cover, Soltn, Replmt[M20/T20]	1
▲▲	12 1039757	(008000-	) Plate, Mtg, Latch	1
▲▲	13 382320	(008000-	) Screw, Pan, Phl, 12-16 X 0.50, F/ Plstc	4
▲▲	14 1048474	(008000-	) Catch, Latch, Tank Cover	1
▲▲	15 222267	(008000-	) Screw, Pan, Phl, 06-20 X 0.50, Fmg/Ab	2
▲▲	16 367949	(008000-	) Latch	1
▲▲	17 1048512	(008000-	) Bracket, Mtg, Latch, Tank Cover	1
▲▲	18 08875	(008000-	) Rivet, Blind, .125d X 0.54 X .25d, Alm	2
▲	19 1031233	(008000-	) Cover, Tank, Soltn, Rh, Trimmed, Ce (Japan and Europe Only)	1
▲	20 1047098	(008000-	) Bar, Rnd, Plstc, 0.31d 12.5l	1
▲	21 1038805	(008000-	) Seal, Bulb, Str, .50Hi .50W 047.2L, Adh	1
▲	22 1068277	(008000-	) Plug, Hole, Rnd, 0.38 H 1.0l, Brb, Nyl	1

(CONTINUED)

# STANDARD PARTS

Fig. 45 – Solution Tank Group

Ref.	Part No.	Serial Number	Description	Qty.
▽	9003068	(008000–	) Cover Kit, Tank, Soltn, Lh, Replmt	1
▲▽	9005165	(008000–	) Latch Kit, Cover, Soltn, Replmt[M20/T20]	1
▲▲	23 1039757	(008000–	) Plate, Mtg, Latch	1
▲▲	24 382320	(008000–	) Screw, Pan, Phl, 12–16 X 0.50, F/ Plstc	4
▲▲	25 1048474	(008000–	) Catch, Latch, Tank Cover	1
▲▲	26 222267	(008000–	) Screw, Pan, Phl, 06–20 X 0.50, Fmg/Ab	2
▲▲	27 367949	(008000–	) Latch	1
▲▲	28 1048512	(008000–	) Bracket, Mtg, Latch, Tank Cover	1
▲▲	29 08875	(008000–	) Rivet, Blind, .125d X 0.54 X .25d, Alm	2
▲	30 1022182	(008000–	) Cover, Tank, Soltn, Lh, Trimmed	1
▲	31 1047098	(008000–	) Bar, Rnd, Plstc, 0.31d 12.5l	1
▲	32 1038805	(008000–	) Seal, Bulb, Str, .50Hi .50W 047.2L, Adh	1
▲	33 1068277	(008000–	) Plug, Hole, Rnd, 0.38 H 1.0l, Brb, Nyl	1
▽	9003070	(008000–	) Cover Kit, Tank, Soltn, Lh, Replmt, Ce (Japan and Europe Only)	1
▲▽	9005165	(008000–	) Latch Kit, Cover, Soltn, Replmt[M20/T20]	1
▲▲	23 1039757	(008000–	) Plate, Mtg, Latch	1
▲▲	24 382320	(008000–	) Screw, Pan, Phl, 12–16 X 0.50, F/ Plstc	4
▲▲	25 1048474	(008000–	) Catch, Latch, Tank Cover	1
▲▲	26 222267	(008000–	) Screw, Pan, Phl, 06–20 X 0.50, Fmg/Ab	2
▲▲	27 367949	(008000–	) Latch	1
▲▲	28 1048512	(008000–	) Bracket, Mtg, Latch, Tank Cover	1
▲▲	29 08875	(008000–	) Rivet, Blind, .125d X 0.54 X .25d, Alm	2
▲	30 1031235	(008000–	) Cover, Tank, Soltn, Lh, Trimmed, Ce (Japan and Europe Only)	1
▲	31 1047098	(008000–	) Bar, Rnd, Plstc, 0.31d 12.5l	1
▲	32 1038805	(008000–	) Seal, Bulb, Str, .50Hi .50W 047.2L, Adh	1
▲	33 1068277	(008000–	) Plug, Hole, Rnd, 0.38 H 1.0l, Brb, Nyl	1
	34 377349	(008000–	) Fitting, Plstc, Pf12/Pf12, Bh	1
	35 69785	(008000–	) Fitting, Plstc, E90, Pf12/Pm12	1
	36 385685	(008000–	) Sensor, Level, Liq, 14vdc 01a .62–11	1
	37 1017101	(008000–	) Plate, Label, Soltn Tank (ec–H20 only)	2
	38 360973	(008000–	) Screw, Pan, 12–16 X 0.50, F/ Plstc (ec–H20 Only)	4
	39 1027290	(008000–014000	) Filter, Soltn, 20mesh, Pm12 3.1d 02.6l	1
	39 1057465	(014001–	) Filter, Soltn, 080Mesh, Pm12 3.2D 08.0L	1





Fig. 46 - Solution Tank Drain Group

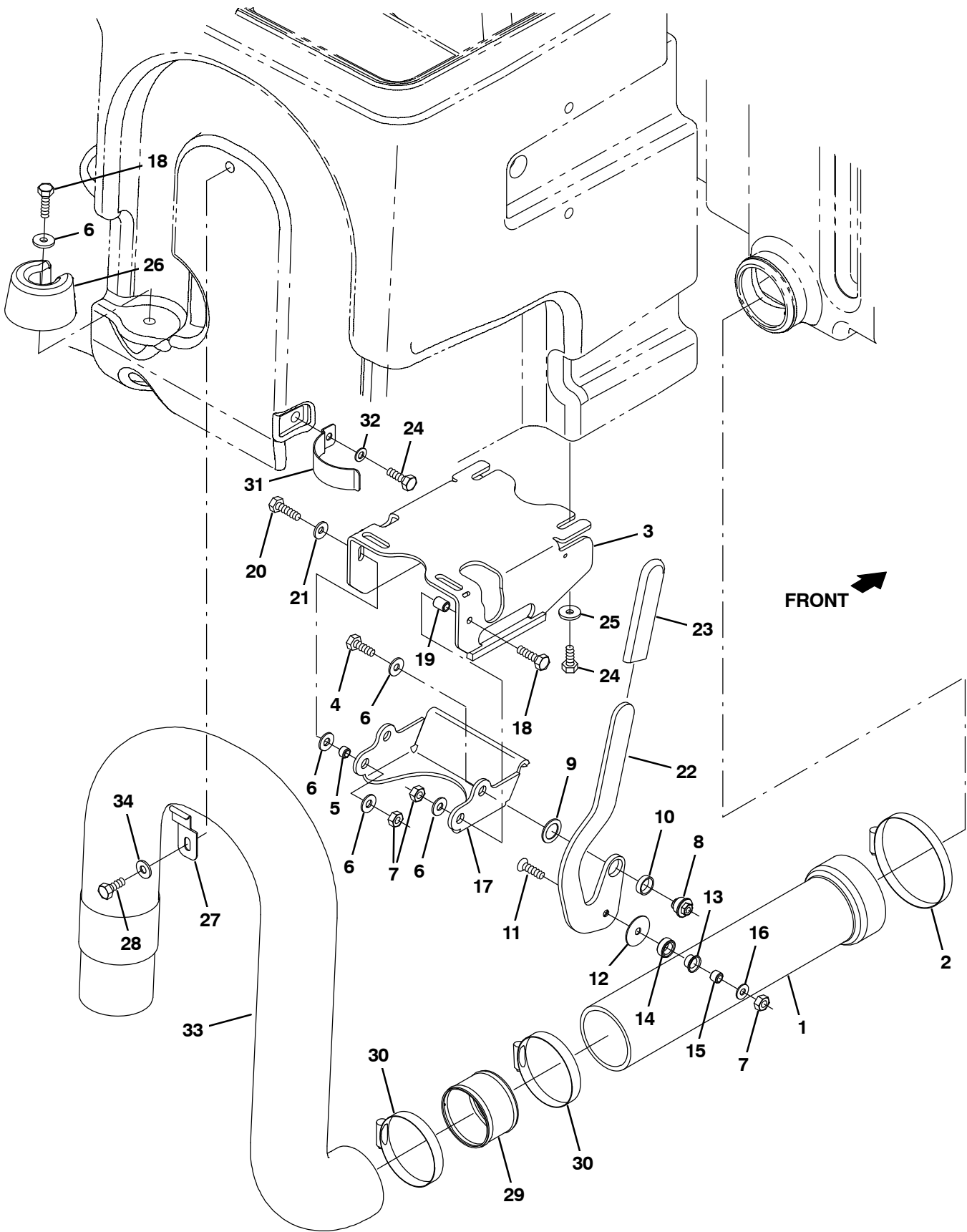


Fig. 46 – Solution Tank Drain Group

Ref.	Part No.	Serial Number	Description	Qty.
1	9003793	(008000–	) Tube Kit, Tank, Soltn, Replmt	1
2	23498	(008000–	) Clamp, Hose, Wormdrive, 3.56–4.50d, .50w	1
3	1042003	(008000–	) Mount Wldt, Valve, Pinch, Rh	1
4	39277	(008000–	) Screw, Hex, M8 X 1.25 X 25, 8.8	1
5	222516	(008000–	) Sleeve, P/M, 0.31b 0.50d 0.3l [430ss]	1
6	32491	(008000–	) Washer, Flat, 0.31, Std	5
7	08713	(008000–	) Nut, Hex, Lock, M8 X 1.25, NI, Ss	3
8	1024599	(008000–	) Bushing, Eccentric, Adj	1
9	1026051	(008000–	) Washer, Flat, 0.79b 1.18d .06, Nyl	1
10	74090	(008000–	) Bushing, Sleeve, 0.75b 0.88d 0.25l	1
11	79506	(008000–	) Screw, Flt, M8 X 1.25 X 30, Ss	1
12	1028701	(008000–	) Washer, Thrust, 0.34b 1.50d .06	1
13	15648	(008000–	) Bushing, Flng, 0.50b 0.59d 0.38l	1
14	1028691	(008000–	) Roller, Brg	1
15	1028690	(008000–	) Tube, 0.50d 0.32b 00.4l, Ss	1
16	1017218	(008000–	) Washer, Flat, 0.32b 1.00d .12, Ss	1
17	1024535	(008000–	) Arm, Pinch	1
18	06955	(008000–	) Screw, Hex, M8 X 1.25 X 35, 8.8	2
19	80395	(008000–	) Sleeve, P/M, 0.31b 0.50d 0.7l [430ss]	1
20	76570	(008000–	) Screw, Hex, M8 X 1.25 X 30, 8.8	1
21	41186	(008000–	) Washer, Flat, Belleville, .31	1
22	1026727	(008000–	) Handle, Valve, Pinch, Rh	1
23	1023502	(008000–	) Grip, Handle	1
24	09740	(008000–	) Screw, Hex, M8 X 1.25 X 20, Ss	5
25	1017218	(008000–	) Washer, Flat, 0.32b 1.00d .12, Ss	4
26	1022137	(008000–	) Plug, Hose, Pyu	1
27	1025480	(008000–	) Bracket, Retaining, Hose	1
28	15675	(008000–	) Screw, Hex, M8 X 1.25 X 16, Ss	1
29	1041953	(008000–	) Tube, 2.90id 3.00od 02.4l, Ss	2
30	43555	(008000–	) Clamp, Hose, Wormdrive, 2.50–3.50d, .50w	2
31	1024558	(008000–	) Strap, Retaining, Hose	1
32	39349	(008000–	) Washer, Flat, 0.31 Sae	1
33	1019424	(008000–	) Hose, Drain, 3.00id X 48.0l	1
34	01685	(008000–	) Washer, Flat, 0.31, Ss	2

# STANDARD PARTS

Fig. 47 - Solution Control Group (008000-014000)

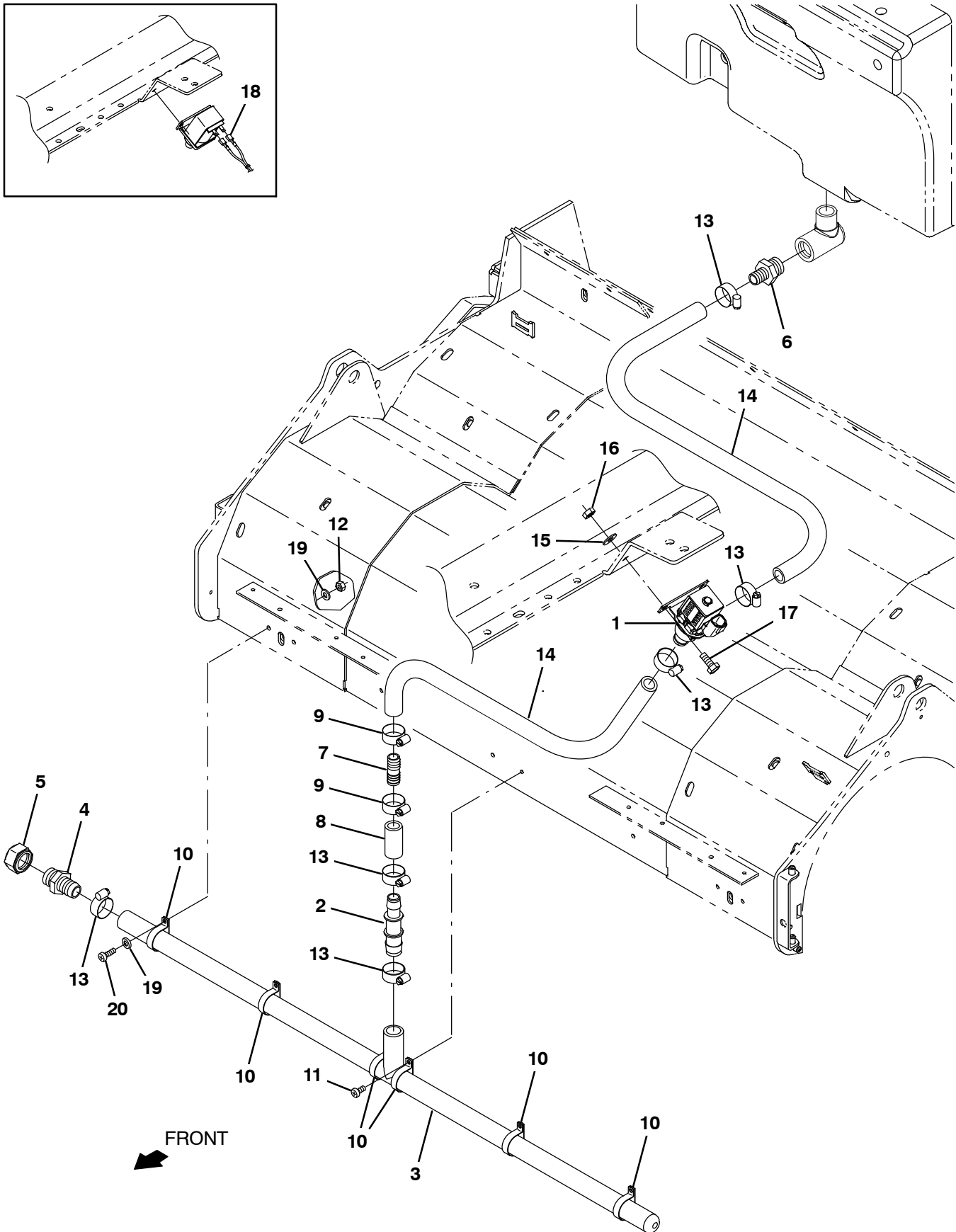


Fig. 47 – Solution Control Group (008000–014000)

Ref.	Part No.	Serial Number	Description	Qty.
1	1076692	(008000–014000 )	Valve Assy, Water, Solenoid, 12vdc	1
2	363543	(008000–014000 )	Fitting, Plstc, Str, Bm10/Bm12	1
3	1036997	(008000–014000 )	Manifold, Bar, Spray, 37.5inch	1
4	79273–2	(008000–014000 )	Fitting, Plstc, Str, Bm12/Pm12	1
5	1039064	(008000–014000 )	Fitting, Plstc, Cap, Pf12 Hex	1
6	365095	(008000–014000 )	Fitting, Plstc, Str, Bm10/Pm12	1
7	365164	(008000–014000 )	Fitting, Plstc, Str, Bm10/Bm10	1
8	1015033	(008000–014000 )	Hose, Afmkt, Pvc, Brd, 0.62id, 01ft, Clr	1
9	63810	(008000–014000 )	Clamp, Hose, Wormdrive, 0.56–1.06d, .56w	2
10	50544	(008000–014000 )	Clamp, Cable, Ss, 1.12d X 0.38w, 1h	6
11	09200	(008000–014000 )	Screw, Pan, M5 X 0.8 X 12, Ss	4
12	09739	(008000–014000 )	Nut, Hex, Lock, M5 X 0.8, NI, Ss	6
13	63810	(008000–014000 )	Clamp, Hose, Wormdrive, 0.56–1.06d, .56w	8
14	1015032	(008000–014000 )	Hose, Afmkt, Pvc, Brd, 0.62id, 08ft, Clr	1
15	01684	(008000–014000 )	Washer, Flat, 0.25, Ss	2
16	08712	(008000–014000 )	Nut, Hex, Lock, M6 X 1.0, Ss, NI	2
17	08716	(008000–014000 )	Screw, Hex, M6 X 1.0 X 20, Ss	2
18	1075394	(008000–010490 )	Harness, Ele, Adaptor [2f, Dt To Faston]	1
19	01683	(008000–014000 )	Washer, Flat, 10, Ss	4
20	24196	(008000–014000 )	Screw, Pan, Phl, M5 X 0.80 X 20, Ss	2

**Fig. 48 – Solution Control Group (014001- )**

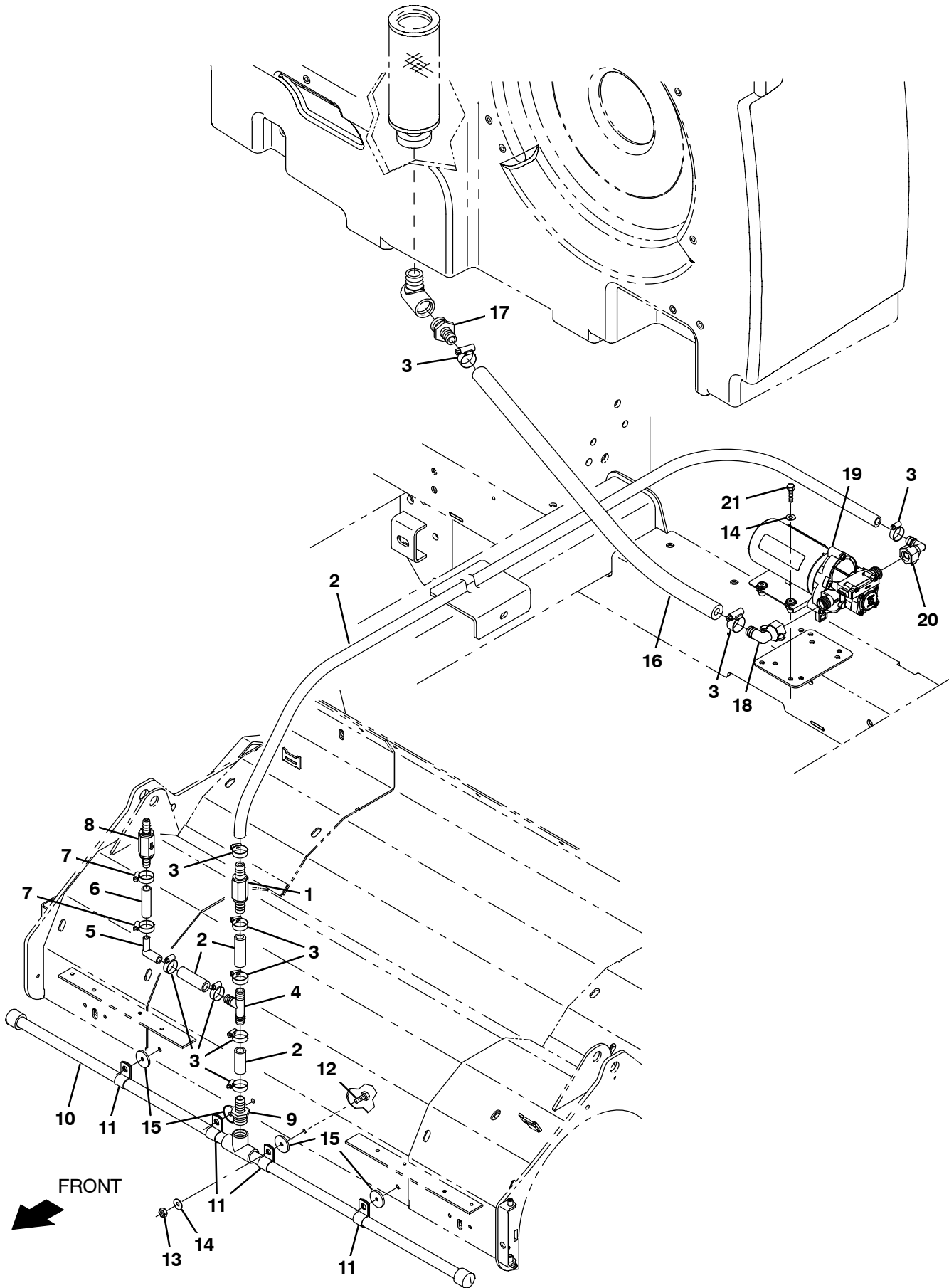


Fig. 48 – Solution Control Group (014001– )

Ref.	Part No.	Serial Number	Description	Qty.
1	1251530	(014001– )	Valve, Check, 1.0psi, Bm08/Bm08	1
2	1011412	(014001– )	Hose, Afmkt, Pvc, Brd, 0.50id, 08ft, Clr	1
3	54333	(014001– )	Clamp, Hose, Wormdrive, 0.31–0.88d, .31w	10
4	63245–1	(014001– )	Fitting, Plstc, Tee, Bm08/Bm08/Bm08	1
5	222376	(014001– )	Fitting, Plstc, E90, Bm06/Bm08	1
6	1014971	(014001– )	Hose, Afmkt, Pvc, Brd, 0.38id, 01ft, Clr	1
7	43844	(014001– )	Clamp, Hose, Wormdrive, 0.25–0.62d, .31w	1
8	1253873	(014001– )	Valve, Vent, Bm06/Bm06	1
9	79273–4	(014001– )	Fitting, Plstc, Str, Bm08/Pm08	1
10	1076854	(014001– )	Spray Manifold Assy [M20/T20]	1
11	82829	(014001– )	Clamp, Cable, Stl, 0.63d X 0.75w, 1hole	4
12	08716	(014001– )	Screw, Hex, M6 X 1.00 X 20, Ss	4
13	08708	(014001– )	Nut, Hex, Lock, M6 X 1.00, NI	4
14	01684	(014001– )	Washer, Flat, 0.27b 0.69d .05, Ss	8
15	386063	(014001– )	Washer, Flat, 0.25b 1.12d .12, Ss	4
16	1015032	(014001– )	Hose, Afmkt, Pvc, Brd, 0.62id, 08ft, Clr	1
17	365095	(014001– )	Fitting, Plstc, Str, Bm10/Pm12	1
18	1251921	(014001– )	Fitting, Plstc, E90, Bm10/Pf08	1
19	1253561	(014001– )	Pump, Soltn, Ele, 12v, 3.6 Gpm	1
20	1018499	(014001– )	Fitting, Plstc, E90, Bm08/Pf08s, Swivel	1
21	1228033	(014001– )	Screw, Hex, M5 X 0.80 X 30, Ss	4

**Fig. 49 – Recovery Tank Group**

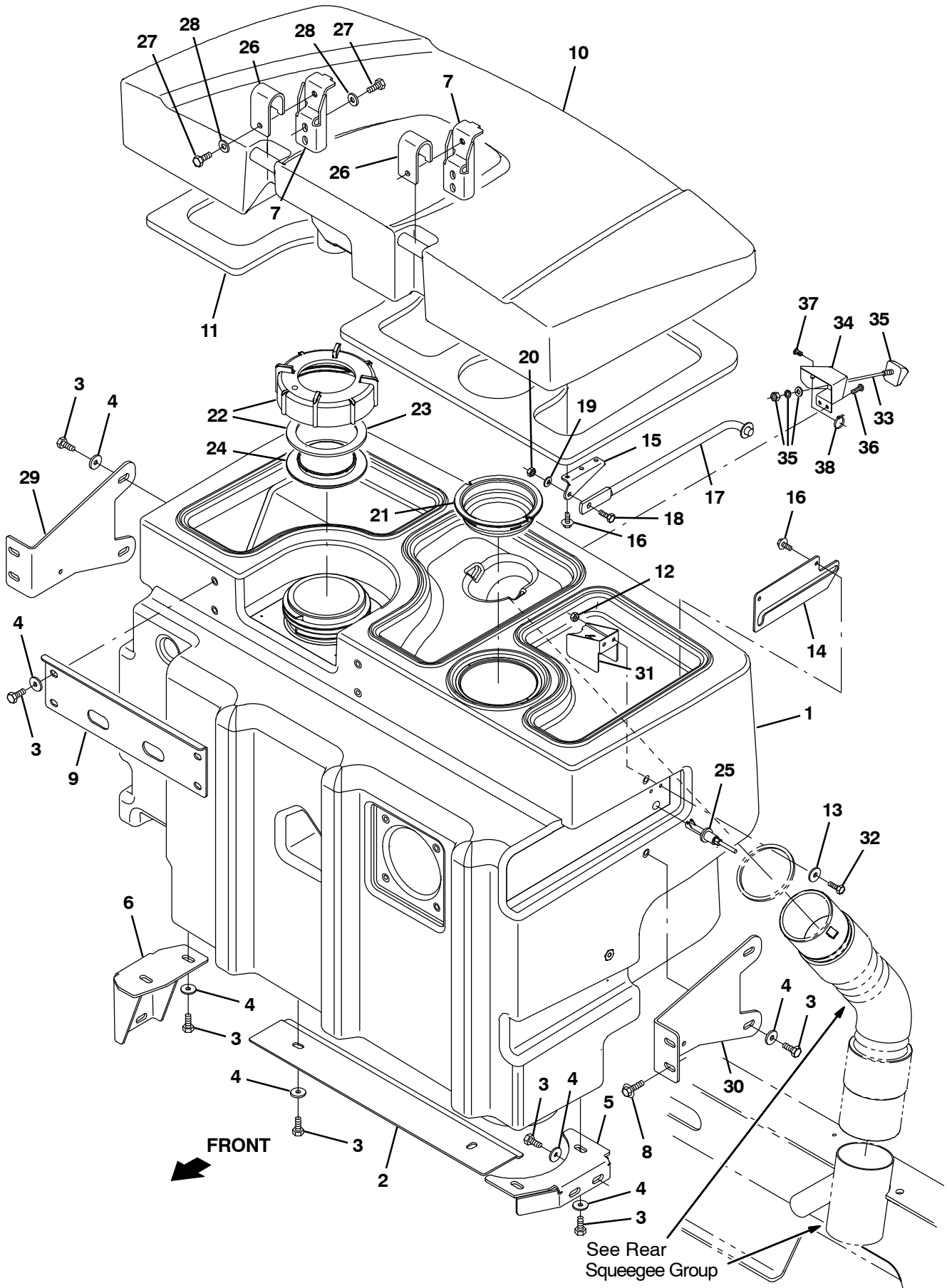




Fig. 49 – Recovery Tank Group

Ref.	Part No.	Serial Number	Description	Qty.
1	1021419	(008000–	) Tank, Recvy, Trimmed	1
2	1024403	(008000–	) Plate, Tank, Bottom	1
3	09740	(008000–	) Screw, Hex, M8 X 1.25 X 20, Ss	17
4	1017218	(008000–	) Washer, Flat, 0.32b 1.00d .12, Ss	15
5	1020335	(008000–	) Bracket, Sppt, Tank, Lh	1
6	1020331	(008000–	) Bracket, Sppt, Tank, Rh	1
7	1039072	(008000–	) Bracket, Sppt, Cover, Tank, Recvy	2
8	1037346	(008000–	) Screw, Hex, M8 X 1.25 X 25, 9.8, Sems	4
9	1021090	(008000–	) Plate, Sppt, Tank	1
10	1022167	(008000–	) Cover, Tank, Recvy, Trimmed	1
11	1021879	(008000–	) Gasket, Cover, Recvy Tank	1
12	08712	(008000–	) Nut, Hex, Lock, M6 X 1.00, Ss, NI	2
13	76426	(008000–	) Washer, Sealing, 0.28b 0.75d Ss, Neo	2
14	1025620	(008000–	) Plate, Mtg, Prop Rod	1
15	1025619	(008000–	) Bracket, Mtg, Prop Rod	1
16	1046798	(008000–	) Screw, Hex, .25–14 X 0.75, Fmg/Ab, Ss	4
17	54615	(008000–	) Arm Wldt, Safety, Sppt, Seat, .38d 10.1l	1
18	08716	(008000–	) Screw, Hex, M6 X 1.0 X 20, Ss	1
19	01684	(008000–	) Washer, Flat, 0.25, Ss	1
20	08712	(008000–	) Nut, Hex, Lock, M6 X 1.0, Ss, NI	1
21	1222035	(008000–	) Screen, Vacuum, Yellow	1
▽	22	24358	(008000–) Cap Assy, Tank, Drain	1
▲	23	1031699	(008000–) Gasket, 4.05id 5.29od .19 [Buna]	1
	24	86636	(008000–) Cover, Tank	1
	25	385685	(008000–) Sensor, Level, Liq, 14vdc 01a .62–11	1
	26	1039049	(008000–) Bracket, Mtg, Cover, Recvy Tank	2
	27	16735	(008000–) Screw, Hex, M8 X 1.25 X 16, 8.8	6
	28	32491	(008000–) Washer, Flat, 0.31, Std	6
	29	1038941	(008000–) Bracket, Sppt, Tank, Rh	1
	30	1038927	(008000–) Bracket, Sppt, Tank, Lh	1
	31	1037816	(008000–) Bracket, Protector, Float Switch	1
	32	09007	(008000–) Screw, Hex, M6 X 1.00 X 25, Ss	2
	33	1224979	(008000–) Cable, Camera, 236.2l [Hvs] (PRO PANEL ONLY)	1
	34	1225989	(008000–) Bracket, Mtg, Camera [M20/M30] (PRO PANEL ONLY)	1
	35	1218851	(008000–) Camera, Color, Fixed (PRO PANEL ONLY)	1
	36	382320	(008000–) Screw, Pan, Phl, 12–16 X 0.50, F/ Plstc (PRO PANEL ONLY)	2
	37	1071085	(008000–) Clip, Tie, 0.25d, Plstc (PRO PANEL ONLY)	1
	38	763114	(008000–) Tie, Cable, 11.3l, 2.75d Max (PRO PANEL ONLY)	1

**Fig. 50 – Recovery Tank Drain Group**

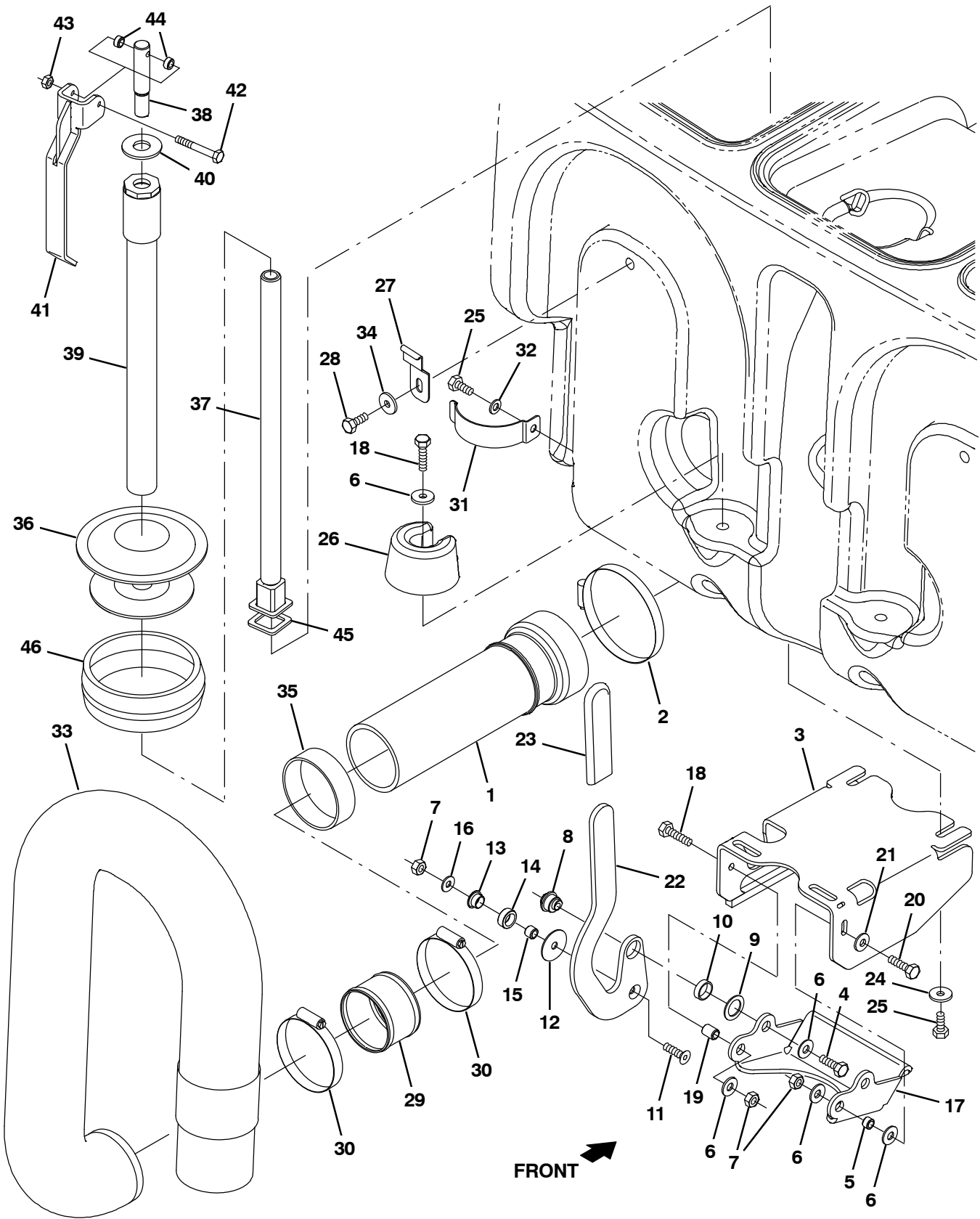


Fig. 50 – Recovery Tank Drain Group

Ref.	Part No.	Serial Number	Description	Qty.	
1	9003794	(008000–	) Tube Kit, Tank, Recvy, Replmt	1	
2	23498	(008000–	) Clamp, Hose, Wormdrive, 3.56–4.50d, .50w	1	
3	1042010	(008000–	) Mount Wldt, Valve, Pinch, Lh	1	
4	39277	(008000–	) Screw, Hex, M8 X 1.25 X 25, 8.8	1	
5	222516	(008000–	) Sleeve, P/M, 0.31b 0.50d 0.3l [430ss]	1	
6	32491	(008000–	) Washer, Flat, 0.31, Std	5	
7	08713	(008000–	) Nut, Hex, Lock, M8 X 1.25, NI, Ss	3	
8	1024599	(008000–	) Bushing, Eccentric, Adj	1	
9	1026051	(008000–	) Washer, Flat, 0.79b 1.18d .06, Nyl	1	
10	74090	(008000–	) Bushing, Sleeve, 0.75b 0.88d 0.25l	1	
11	79506	(008000–	) Screw, Flt, M8 X 1.25 X 30, Ss	1	
12	1028701	(008000–	) Washer, Thrust, 0.34b 1.50d .06	1	
13	15648	(008000–	) Bushing, Flng, 0.50b 0.59d 0.38l	1	
14	1028691	(008000–	) Roller, Brg	1	
15	1028690	(008000–	) Tube, 0.50d 0.32b 00.4l, Ss	1	
16	1017218	(008000–	) Washer, Flat, 0.32b 1.00d .12, Ss	1	
17	1024535	(008000–	) Arm, Pinch	1	
18	06955	(008000–	) Screw, Hex, M8 X 1.25 X 35, 8.8	2	
19	80395	(008000–	) Sleeve, P/M, 0.31b 0.50d 0.7l [430ss]	1	
20	76570	(008000–	) Screw, Hex, M8 X 1.25 X 30, 8.8	1	
21	41186	(008000–	) Washer, Flat, Belleville, .31	1	
22	1027039	(008000–	) Handle, Valve, Pinch, Lh	1	
23	1023502	(008000–	) Grip, Handle	1	
24	1017218	(008000–	) Washer, Flat, 0.32b 1.00d .12, Ss	2	
25	09740	(008000–	) Screw, Hex, M8 X 1.25 X 20, Ss	5	
26	1022137	(008000–	) Plug, Hose, Pyu	2	
27	1025480	(008000–	) Bracket, Retaining, Hose	1	
28	15675	(008000–	) Screw, Hex, M8 X 1.25 X 16, Ss	1	
29	1041953	(008000–	) Tube, 2.90id 3.00od 02.4l, Ss	1	
30	43555	(008000–	) Clamp, Hose, Wormdrive, 2.50–3.50d, .50w	2	
31	1024558	(008000–	) Strap, Retaining, Hose	1	
32	39349	(008000–	) Washer, Flat, 0.31 Sae	1	
33	1019424	(008000–	) Hose, Drain, 3.00id X 48.0l	1	
34	01685	(008000–	) Washer, Flat, 0.31, Ss	2	
35	1031309	(008000–	) Tube, Acrylic, Hose, Pinch	1	
▽	9003313	(008000–	) Plug Kit, Drain, Recvy, Ci [M20 & T20]	1	
▲	36	1022370	(008000–	) Plug, Drain, Expandable, 4.75–6.00	1
▲	37	1028328	(008000–	) Tube Wldt, Plug, Drain	1
▲	38	1028173	(008000–	) Pin, Lift, Drain	1
▲	39	1072885	(008000–	) Tube Assy, Plug, Drain	1
▲	40	1028522	(008000–	) Washer, Flat, .78b 1.75d .18, Ss	1
▲	41	1028211	(008000–	) Handle Wldt, Drain	1
▲	42	58979	(008000–	) Screw, Hex, M6 X 1.0 X 55, Ss	1
▲	43	08712	(008000–	) Nut, Hex, Lock, M6 X 1.0, Ss, NI	1
▲	44	360801	(008000–	) Sleeve, 0.31b 0.50d 0.3l, Ss	2
▲	45	1035044	(008000–	) Seal, Shaft, Drain Plug	1
▲	46	1039652	(008000–	) Seal, Plug, Drain, Nitrile	1

**Fig. 51 - Vacuum Fan Group, Scrubbing**

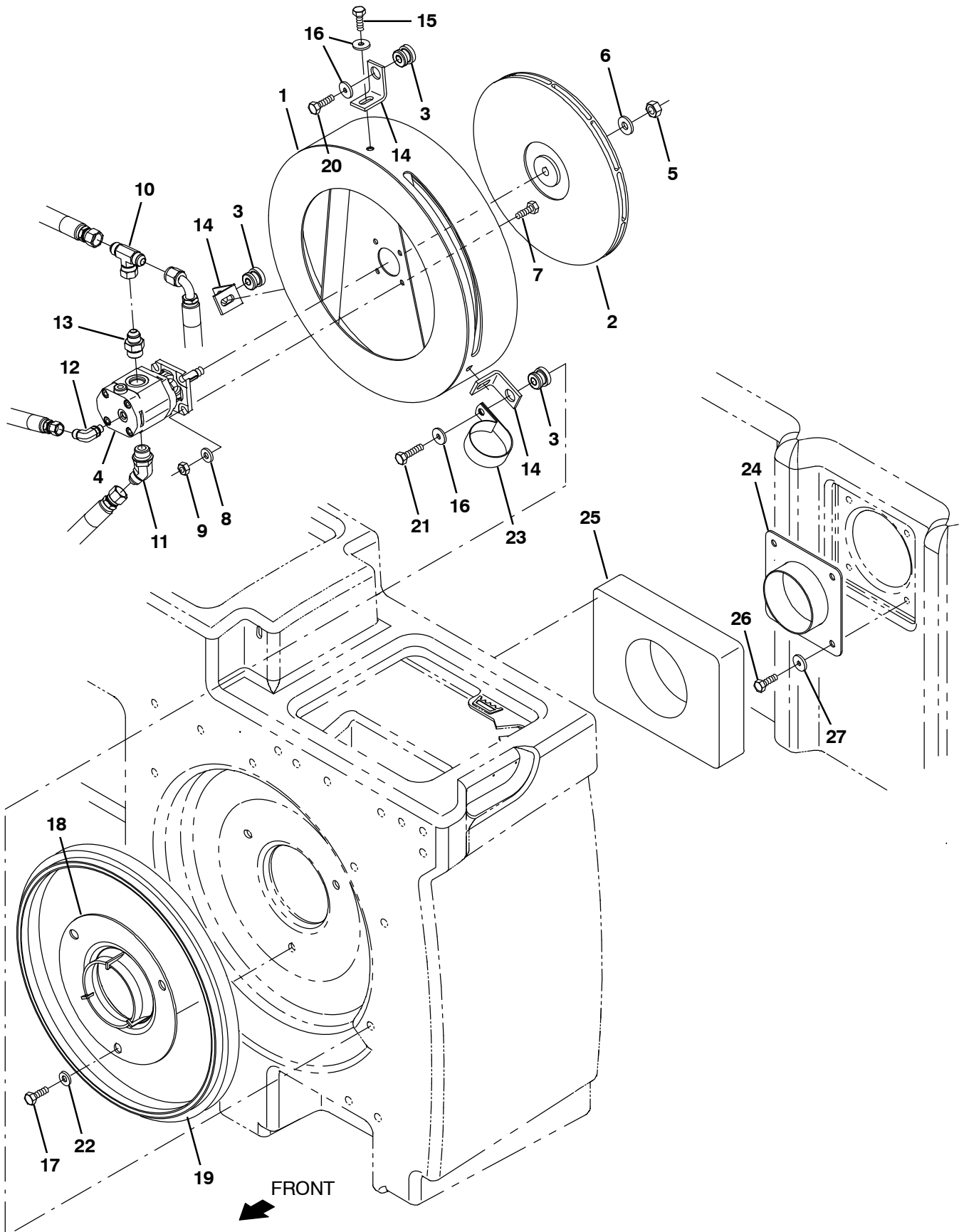


Fig. 51 – Vacuum Fan Group, Scrubbing

Ref.	Part No.	Serial Number	Description	Qty.
▽	9016241	(008000–	) Fan Kit, Scb, Replmt [M20/T20/M30]	1
▲	1 1068611	(008000–	) Plate Wldt, Mtg, Fan	1
▲	2 1062033	(008000–	) Impeller, 11.81d X 0.500b	1
▲	3 54274	(008000–	) Isolator, Vib, Bshg, 1.1d 0.6l .4b 0.78h	3
▲▽	9016242	(008000–	) Motor Kit, Replmt [M20/T20/M30]	1
▲▲	4 1076027	(008000–	) Motor, Hyd, Gear, Ext 0.17 Lh 3000	1
▲▲	5 07788	(008000–	) Nut, Hex, Std, M12 X 1.75, Ss	1
▲▲	6 36328	(008000–	) Washer, Flat, Belleville, .50	1
▲▲	7 09010	(008000–	) Screw, Hex, M8 X 1.25 X 25, Ss	4
▲▲	8 01685	(008000–	) Washer, Flat, 0.38b 0.88d .08, Ss	4
▲▲	9 08713	(008000–	) Nut, Hex, Lock, M8 X 1.25, NI, Ss	4
▲▲	10 76315	(008000–	) Fitting, Hyd, Tee, Jf08/Jm08/Jm08, Br	1
▲▲	11 47513	(008000–	) Fitting, Hyd, E45, Jm08/Om10	1
▲▲	12 77098	(008000–	) Fitting, Hyd, E90, Jm06/Om04	1
▲▲	13 56692	(008000–	) Fitting, Hyd, Str, Jm08/Om10	1
▲	14 1068644	(008000–	) Angle, Sppt, Fan	3
▲	15 39277	(008000–	) Screw, Hex, M8 X 1.25 X 25, 8.8	3
▲	16 1017218	(008000–	) Washer, Flat, 0.32b 1.00d .12, Ss	6
▲	17 09740	(008000–	) Screw, Hex, M8 X 1.25 X 20, Ss	3
▲	18 1059100	(008000–	) Housing, Fan, Radial Discharge, Sq Inlet	1
▲	19 1031617	(008000–	) Seal, Afmkt, Bulb, Str, .75d F/07ga 08ft	1
▲	20 09011	(008000–	) Screw, Hex, M8 X 1.25 X 30, Ss	2
▲	21 09023	(008000–	) Screw, Hex, M8 X 1.25 X 35, Fl, Ss	1
▲	22 01685	(008000–	) Washer, Flat, 0.38b 0.88d .08, Ss	3
	23 70157	(008000–	) Clamp, Cable, Ss, 2.50d X 1.00w, 1hole	1
	24 1023754	(008000–	) Plate Wldt, Hose, Vacuum	1
	25 1060716	(008000–	) Gasket, 2.00, 07.87w 10.24l, Adh	1
	26 09740	(008000–	) Screw, Hex, M8 X 1.25 X 20, Ss	4
	27 1017218	(008000–	) Washer, Flat, 0.32b 1.00d .12, Ss	4

Fig. 52 - Vacuum Fan Group, Sweeping

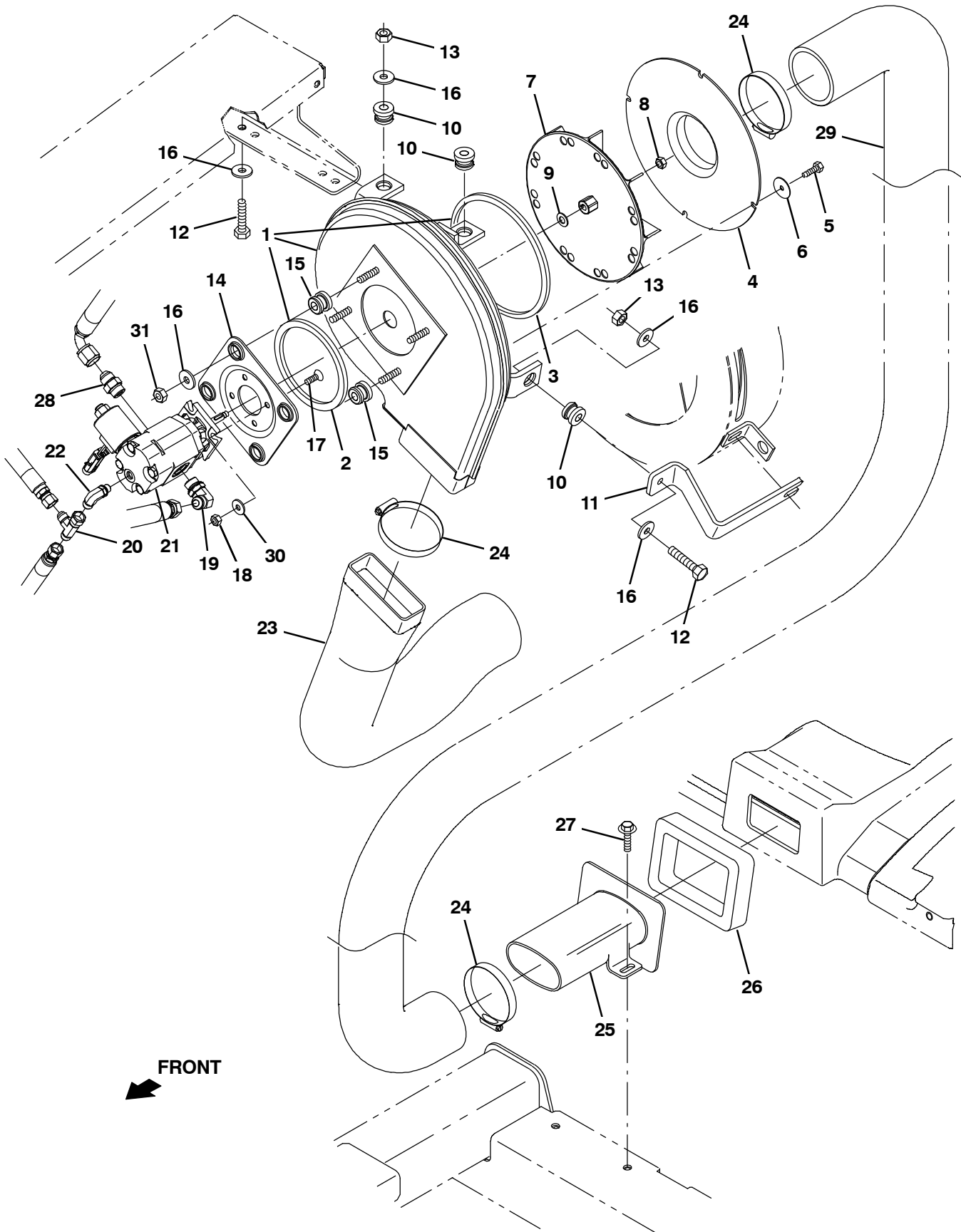


Fig. 52 – Vacuum Fan Group, Sweeping

Ref.	Part No.	Serial Number	Description	Qty.
▽	1	9002683	(008000– ) Housing Assy, Vacfan, Swpr	1
▲	2	59967	(008000– ) Seal, Ure, 0.38 0.75w 13.2l Adh	1
▲	3	1015221	(008000– ) Seal, Afmkt, Ure, Adh, 0.38, 0.75w 03ft	1
	4	1018216	(008000– ) Fan Wldt, Vac, Inlet	1
	5	34323	(008000– ) Screw, Hex, .25–20 X 0.75, NI	4
	6	41178	(008000– ) Washer, Flat, 0.25 Fender	4
	7	74454	(008000– ) Impeller, 9.00d X 1.40w X 0.376b	1
	8	31241	(008000– ) Nut, Hex, Lock, .31–24, NI, Thin	1
	9	32485	(008000– ) Washer, Flat, 0.38 Sae	1
	10	59649	(008000– ) Isolator, Vib, Bshg, 1.1d 0.6l .4b 0.78h	3
	11	1074010	(008000– ) Bar, Isolator, Vacfan [M20]	1
	12	39285	(008000– ) Screw, Hex, M10 X 1.5 X 40, 8.8	3
	13	41430	(008000– ) Nut, Hex, Lock, M10 X 1.5, NI	3
	14	54275A	(008000– ) Bracket, Mtg, Motor	1
	15	54274	(008000– ) Isolator, Vib, Bshg, 1.1d 0.6l .4b 0.78h	4
	16	1014563	(008000– ) Washer, Flat, 0.40b 1.12d .12, Ss	10
	17	39534	(008000– ) Screw, Flt, Soc, .25–20 X 1.00, Al	4
	18	32981	(008000– ) Nut, Hex, Lock, .25–20, NI	4
	19	44868	(008000– ) Fitting, Hyd, E90, Jm08/Om08	1
	20	42215	(008000– ) Fitting, Hyd, Tee, Jf06/Jm06/Jm06, Run	1
	21	1071240	(008000– ) Motor, Hyd, Gear, Ext 0.17 Lh 3000	1
	22	77098	(008000– ) Fitting, Hyd, E90, Jm06/Om04	1
	23	1025756	(008000– ) Muffler, Vacfan, 4.0id	1
	24	23498	(008000– ) Clamp, Hose, Wormdrive, 3.56–4.50d, .50w	3
	25	1025841	(008000– ) Tube, Transition, Casting	1
	26	1018209	(008000– ) Gasket, Hppr, Transition	1
	27	1037346	(008000– ) Screw, Hex, M8 X 1.25 X 25, 9.8, Sems	2
	28	44869	(008000– ) Fitting, Hyd, Str, Jm08/Om08	1
	29	1018252	(008000– ) Hose, Flex, Vacuum, 3.5d 32.0l	1
	30	32483	(008000– ) Washer, Flat, 0.25, Sae	4
	31	36643	(008000– ) Nut, Hex, Lock, .38–16, NI, Thin	4

Fig. 53 – Hydraulic Schematic

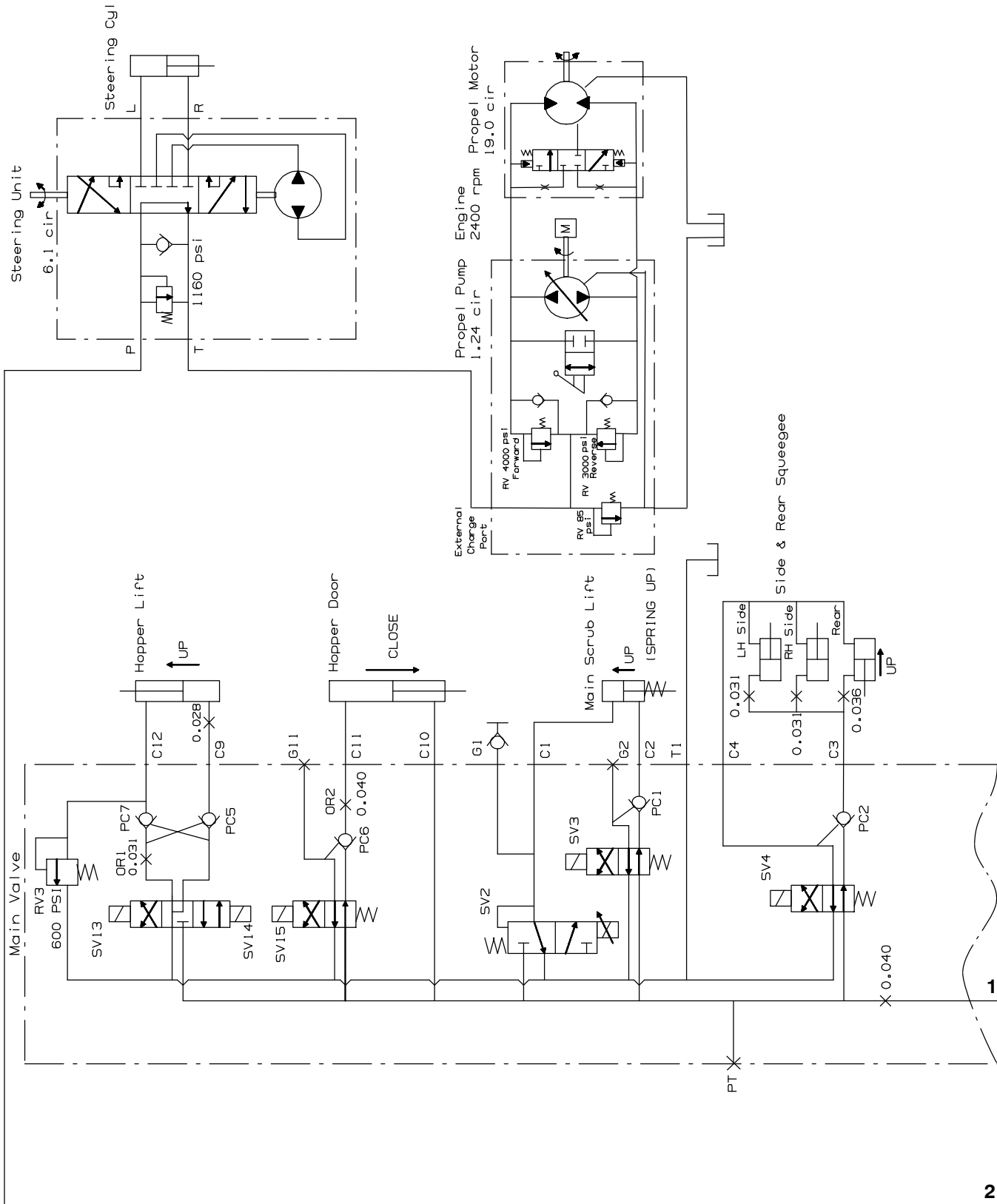
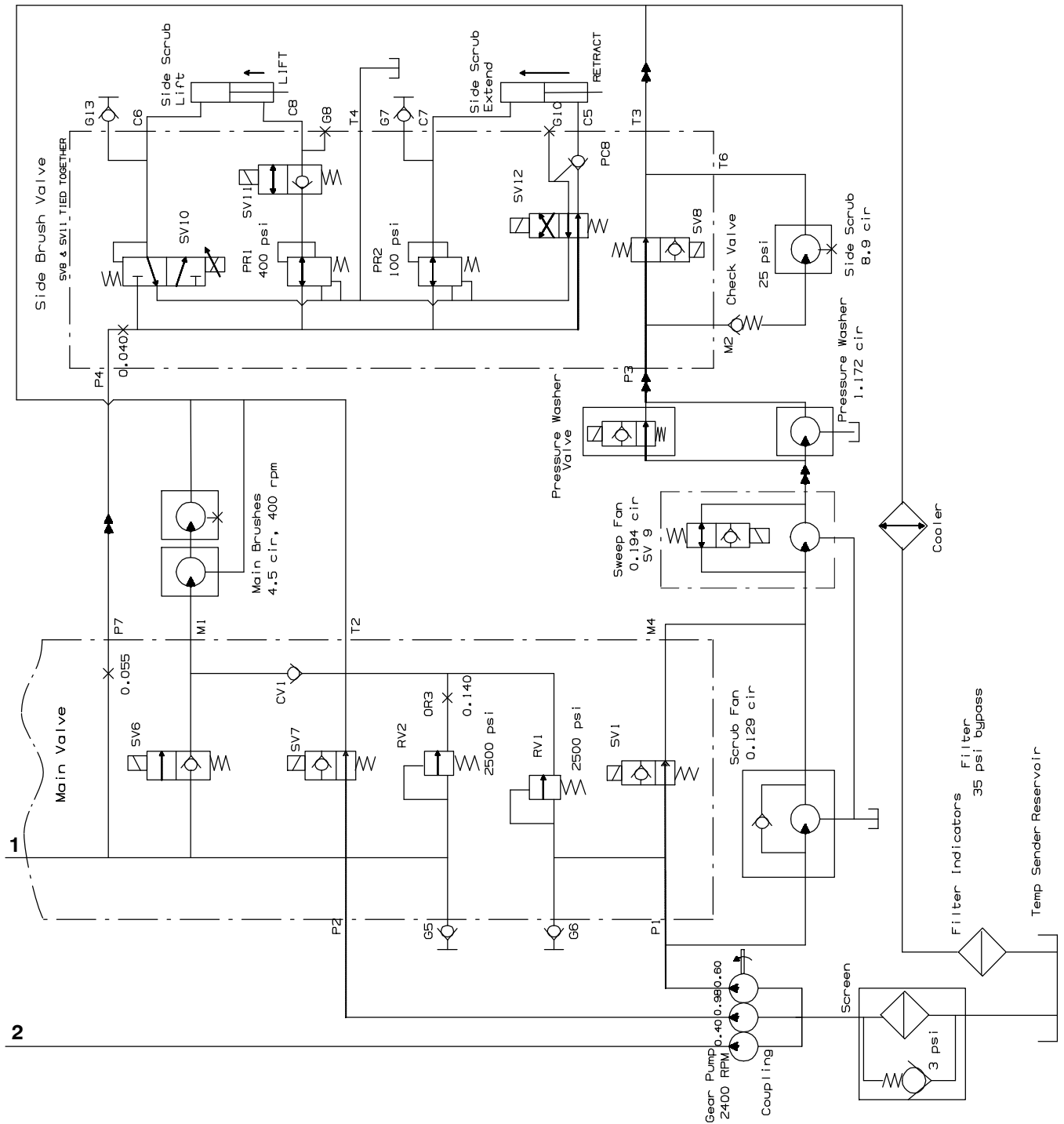




Fig. 53 – Hydraulic Schematic



354453, 1018547 – M20

Fig. 54 – Hydraulic Hose Group, Steering and Propel

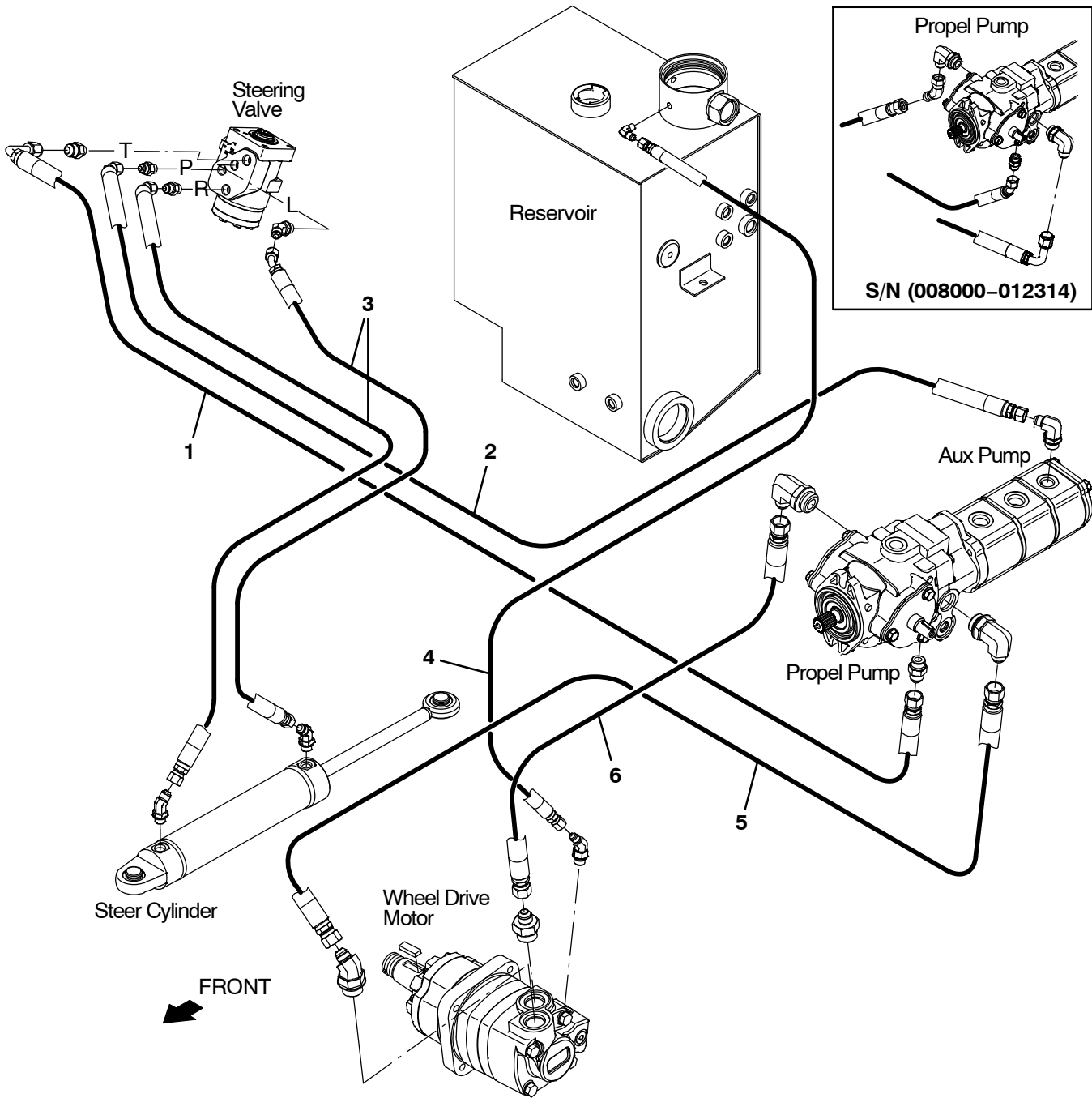


Fig. 54 – Hydraulic Hose Group, Steering and Propel

Ref.	Part No.	Serial Number	Description	Qty.
1	1229745	(008000–	) Hose, Hyd, Tc08, Jfoee90/Jf08str, 96	1
2	1226062	(008000–	) Hose, Hyd, Tc06, Jf06e45/Jf06str, 110.0	1
3	1226063	(008000–	) Hose, Hyd, Tc06, Jf06e45/Jf06str, 45.0	2
4	1038569	(008000–012314	) Hose, Hyd, Spcl, Jf10str/Jf10str, 56.5	1
4	1253469	(012315–	) Hose, Hyd, Mold, Jf08str/Jf08str, 066.5	1
5	1023488	(008000–012314	) Hose, Hyd, Spcl, Jf10e90/Jf10str, 63.0	1
5	1253468	(012315–	) Hose, Hyd, Mold, Jf08str/Jf08str, 078.4	1
6	1030404	(008000–	) Hose, Hyd, Med04, Jf04str/Jf04str, 066.0	1

Fig. 55 – Hydraulic Hose Group, Pump and Vacuum Fans

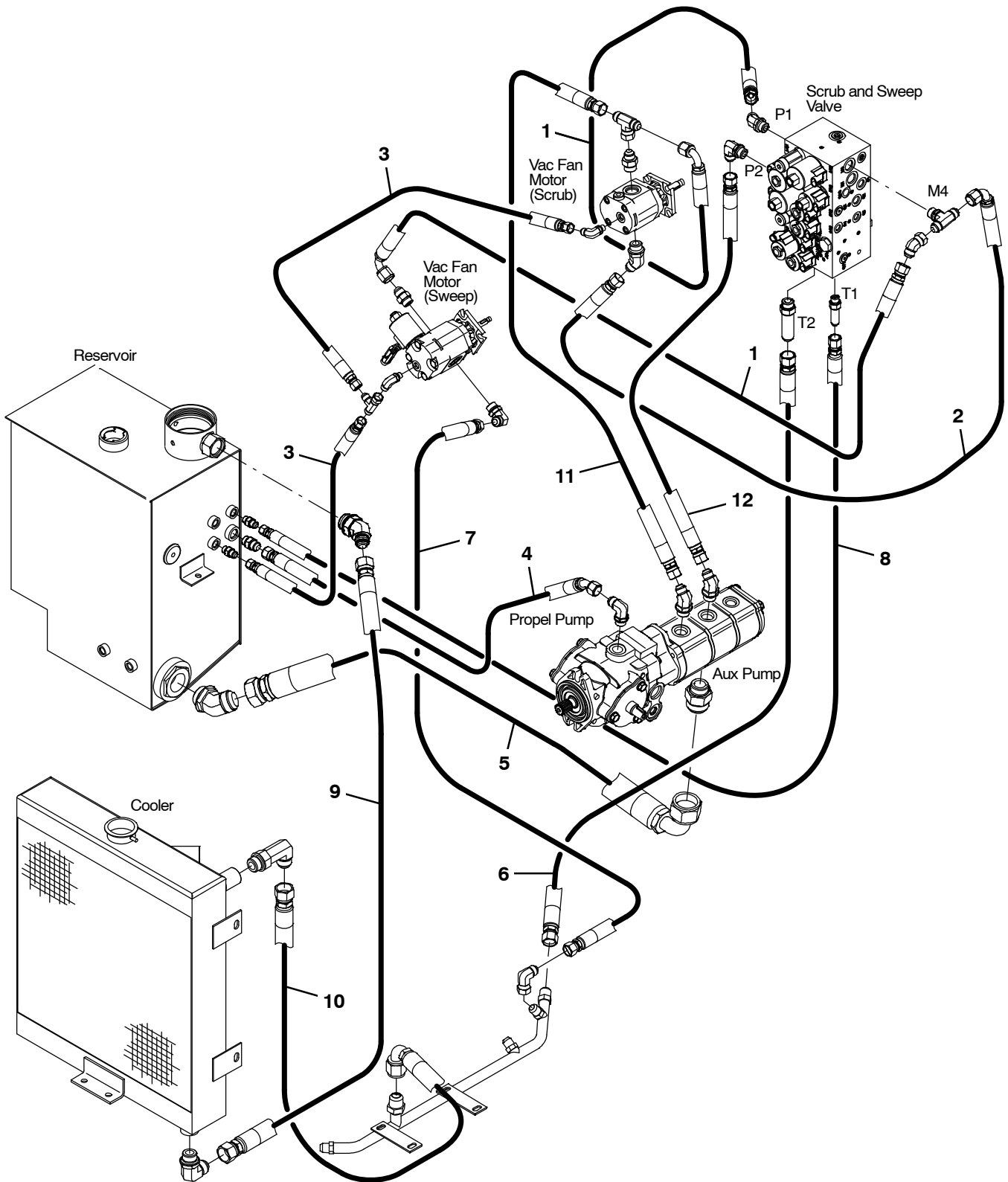


Fig. 55 – Hydraulic Hose Group, Pump and Vacuum Fans

Ref.	Part No.	Serial Number	Description	Qty.
1	71741	(008000–	) Hose, Hyd, Tc08, Jf08e90/Jf08str, 046.0	2
2	396255	(008000–	) Hose, Hyd, Tc08, Jf08str/Jf08e90, 031.0	1
3	16431	(008000–	) Hose, Hyd, Med06, Jf06str/Jf06str, 022.0	2
4	1023607	(008000–	) Hose, Hyd, Med08, Jf08str /Jf08e45, 21.0	1
5	34351	(008000–	) Hose, Hyd, Suc20, Jf20e90/Jf20str, 032.0	1
6	1040655	(008000–	) Hose, Hyd, Med10, Jf10Str/Jf10Str, 036.0	1
7	1036945	(008000–	) Hose, Hyd, Tc08, Jf08str/Jf08str, 031.0	1
8	71556	(008000–	) Hose, Hyd, Med06, Jf06Str/Jf06Str, 042.0	1
9	1028145	(008000–	) Hose, Hyd, Med12, Jf12str/Jf12str, 066.0	1
10	1050436	(008000–	) Hose, Hyd, Med12, Jf12e90/Jf12str, 029.0	1
11	1026645	(008000–	) Hose, Hyd, Tc08, Jf08E45/Jf08Str, 026.0	1
12	1023606	(008000–	) Hose, Hyd, Tc08, Jf08Str/Jf08Str, 021.0	1

**Fig. 56 – Hydraulic Hose Group, Brush and Hopper**

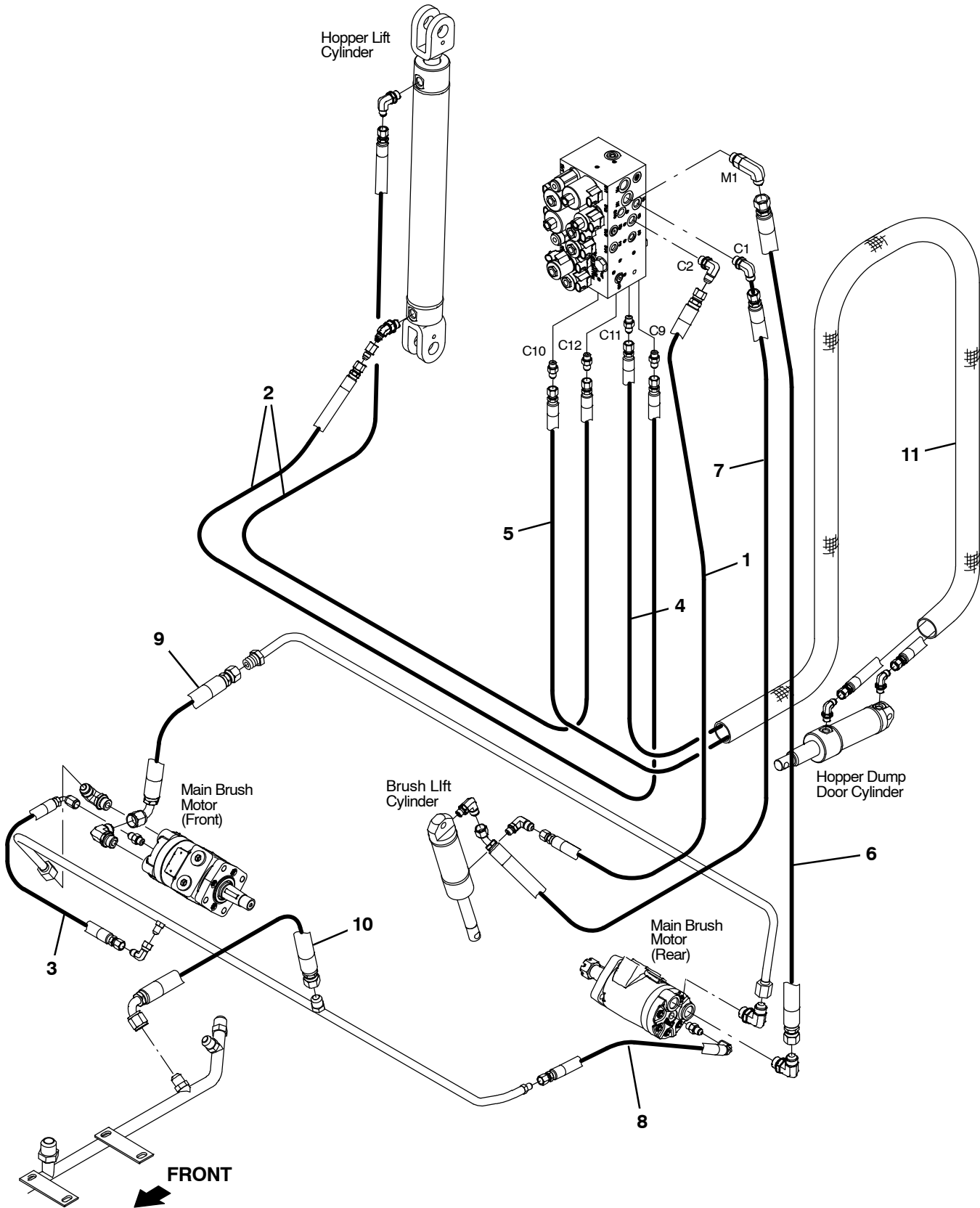


Fig. 56 – Hydraulic Hose Group, Brush and Hopper

Ref.	Part No.	Serial Number	Description	Qty.
1	1036939	(008000–	) Hose, Hyd, Tc06, Jf06str/Jf06str, 054.0	1
2	1040628	(008000–	) Hose, Hyd, Tc04, Jf04str/Jf04str, 096.0	2
3	387281	(008000–	) Hose, Hyd, Tc04, Jf04e90/Jf04str, 020.0	1
4	1042775	(008000–	) Hose, Hyd, Spcl, Jf04str/Jf04str, 138.0	1
5	1042776	(008000–	) Hose, Hyd, Spcl, Jf04str/Jf04str, 132.0	1
6	1024764	(008000–	) Hose, Hyd, Tc08, Jf08str/Jf08str, 48.0	1
7	1023769	(008000–	) Hose, Hyd, Tc 06, Jf06str /Jf06e45, 56.0	1
8	57946	(008000–	) Hose, Hyd, Med04, Jf04e90/Jf04str, 016.0	1
9	1025544	(008000–	) Hose, Hyd, Tc08, Jf08e90/Jf08str, 13.0	1
10	381857	(008000–	) Hose, Hyd, Tc08, Jf08e90/Jf08str, 018.0	1
11	1235405	(008000–	) Sleeve, Nyl, 1.22id, 95.0l	1

Fig. 57 – Hydraulic Hose Group, Squeegee Lift

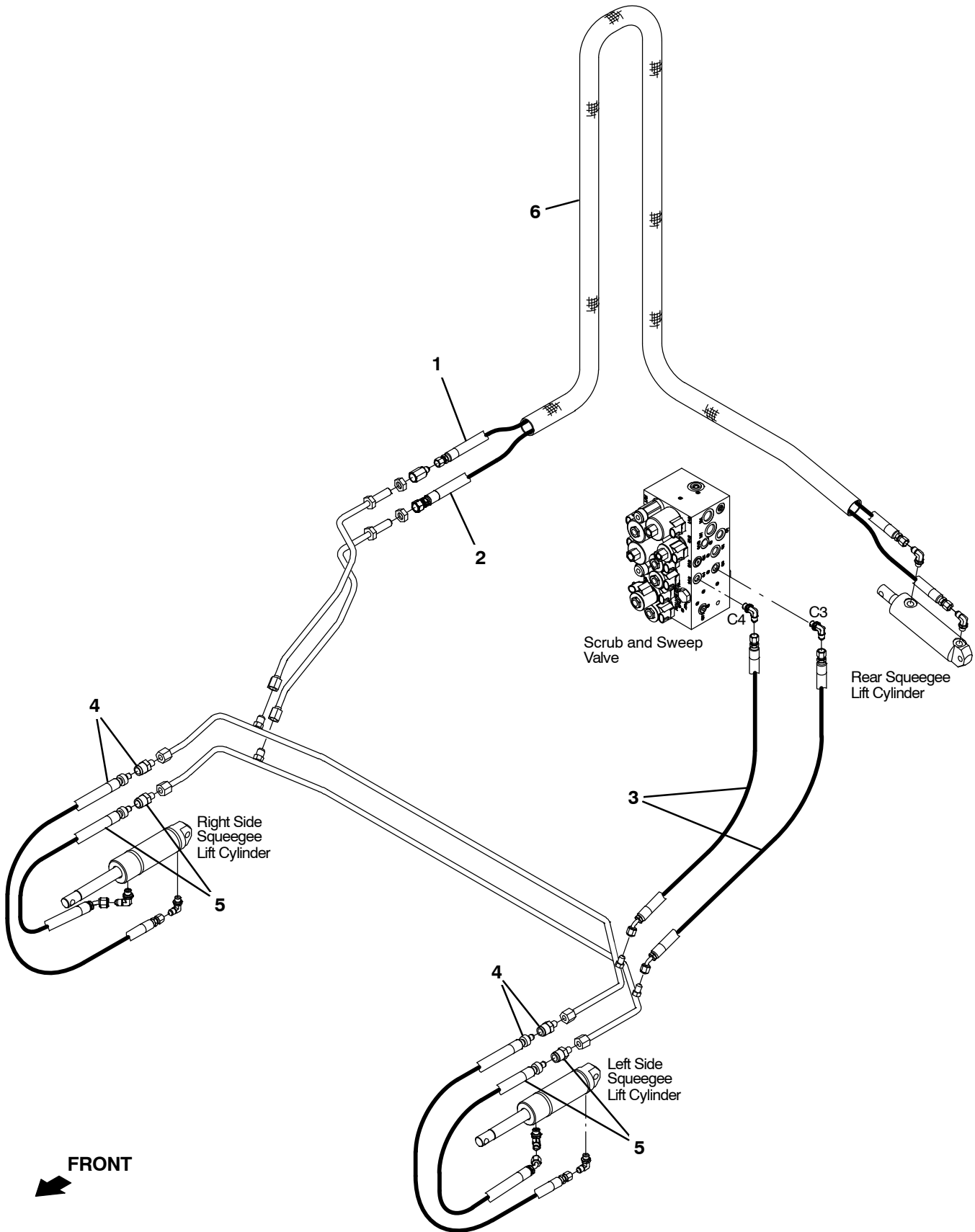




Fig. 57 – Hydraulic Hose Group, Squeegee Lift

Ref.	Part No.	Serial Number	Description	Qty.
1	1024688	(008000–	) Hose, Hyd, Spcl, Jf04str/Jf04str, 124.0	1
2	1025551	(008000–	) Hose, Hyd, Spcl, Jf04str/Jf06str, 128.0	1
3	1030709	(008000–	) Hose, Hyd, Tc 04, Jf04str /Jf04e45 , 35.0	2
4	1045759	(008000–	) Hose, Hyd, Tco4, Jf04Str/Qm06, 028.0	2
5	1037053	(008000–	) Hose, Hyd, Tc04, Jf04e45/Qm06, 026.0	2
6	1235405	(008000–	) Sleeve, Nyl, 1.22id, 95.0l	1

**Fig. 58 – Hydraulic Pumps Group**

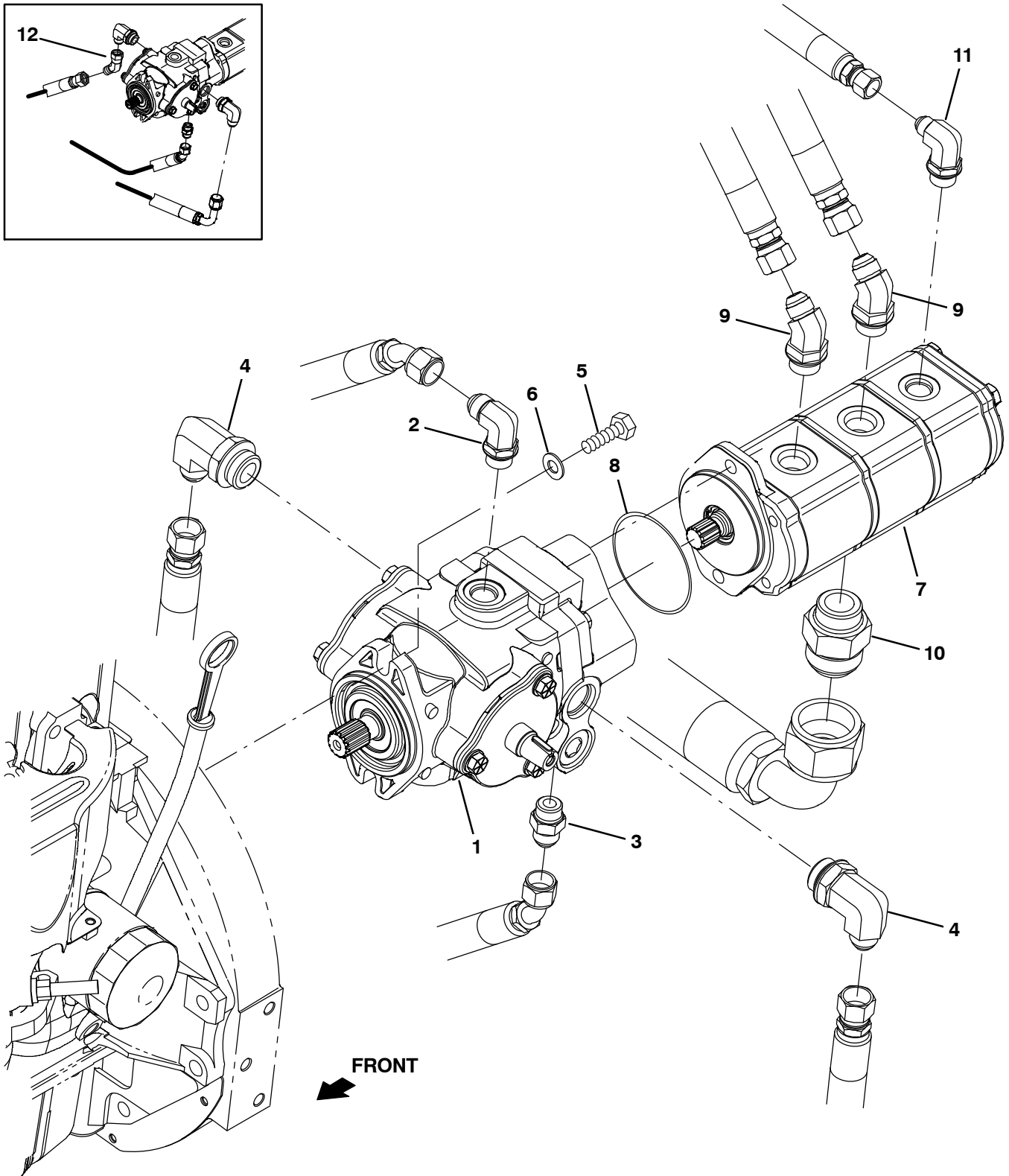
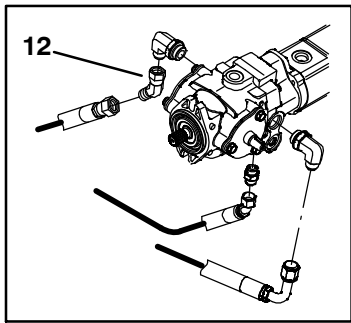


Fig. 58 - Hydraulic Pumps Group

Ref.	Part No.	Serial Number	Description	Qty.
1	1024251	(008000-	) Pump, Hyd, Piston, Var, 1.24 4000, Cw (See Breakdowns)	1
2	44868	(008000-	) Fitting, Hyd, E90, Jm08/Om08	1
3	44869	(008000-	) Fitting, Hyd, Str, Jm08/Om08	1
4	53076	(008000-012314	) Fitting, Hyd, E90, Jm10/Om12	2
4	47655	(012315-	) Fitting, Hyd, E90, Jm08/Om12	2
5	39283	(008000-	) Screw, Hex, M10 X 1.50 X 25, 8.8	2
6	32485	(008000-	) Washer, Flat, 0.38 Sae	2
7	9007142	(008000-	) Pump Kit, Mtg, Aux, Ci [M20 & T20]	1
8	65145-1	(008000-	) Seal, Org, .069 X 3.06id	1
9	47513	(008000-	) Fitting, Hyd, E45, Jm08/Om10	2
10	67811	(008000-	) Fitting, Hyd, Str, Jm20/Om16	1
11	47512	(008000-	) Fitting, Hyd, E90, Jm06/Om08	1
12	54017	(008000-012314	) Fitting, Hyd, E45, Jf10/Jm10	1

**Fig. 59 – Hydraulic Cooler and Tubes Group**

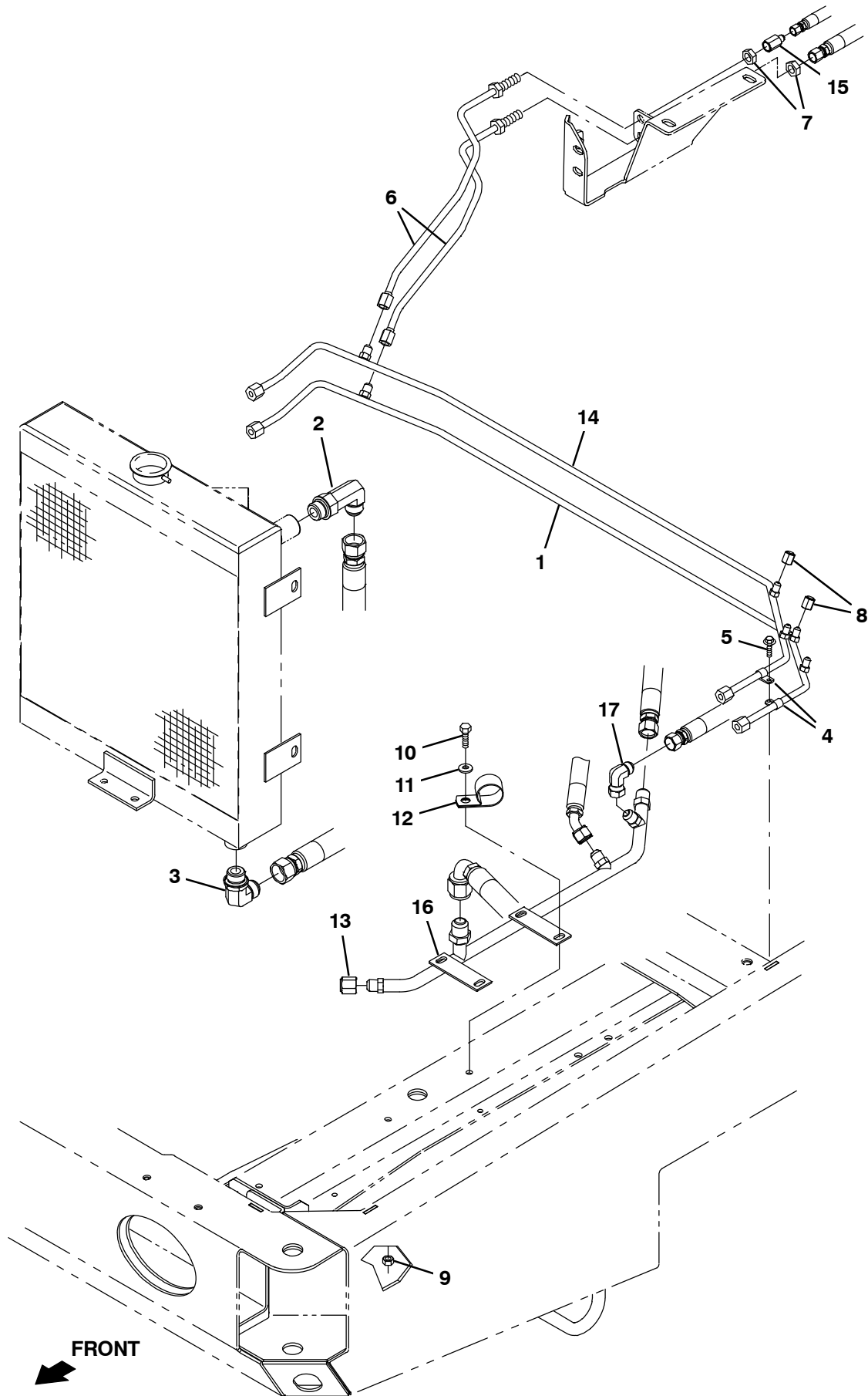


Fig. 59 – Hydraulic Cooler and Tubes Group

Ref.	Part No.	Serial Number	Description	Qty.
1	1028822	(008000–	) Tube, Hyd, Sqge	1
2	46481	(008000–	) Fitting, Hyd, E90, Jm12/Om12	1
3	62471	(008000–	) Fitting, Hyd, E90, Jm12/Om12, L	1
4	40678	(008000–	) Clamp, Cable, Stl, 0.44d X 0.62w, 1h	2
5	74455	(008000–	) Screw, Hex, M6 X 1.0 X 12, Fmg	1
6	1028823	(008000–	) Tube, Hyd, Rear Sqge [M20]	2
7	35904	(008000–	) Nut, Ftg, Hyd, 0.56–18	2
8	50161	(008000–	) Fitting, Hyd, Cap, Jf04	2
9	41430	(008000–	) Nut, Hex, Lock, M10 X 1.5, NI	2
10	39277	(008000–	) Screw, Hex, M8 X 1.25 X 25, 8.8	2
11	32491	(008000–	) Washer, Flat, 0.31, Std	2
12	53466	(008000–	) Clamp, Cable, Stl, 1.50d X 1.00w, 1h	1
13	60090	(008000–	) Fitting, Hyd, Cap, Jf08	1
14	1028821	(008000–	) Tube, Hyd, Sqge	1
15	47752	(008000–	) Fitting, Hyd, Str, Jf06/Jm04	1
16	1071173	(008000–	) Tube, Hyd, Main Return [G/Lp Mit2013]	1
17	17980	(008000–	) Fitting, Hyd, E90, Jf08/Jm08	1

**Fig. 60 – Hydraulic Reservoir Group**

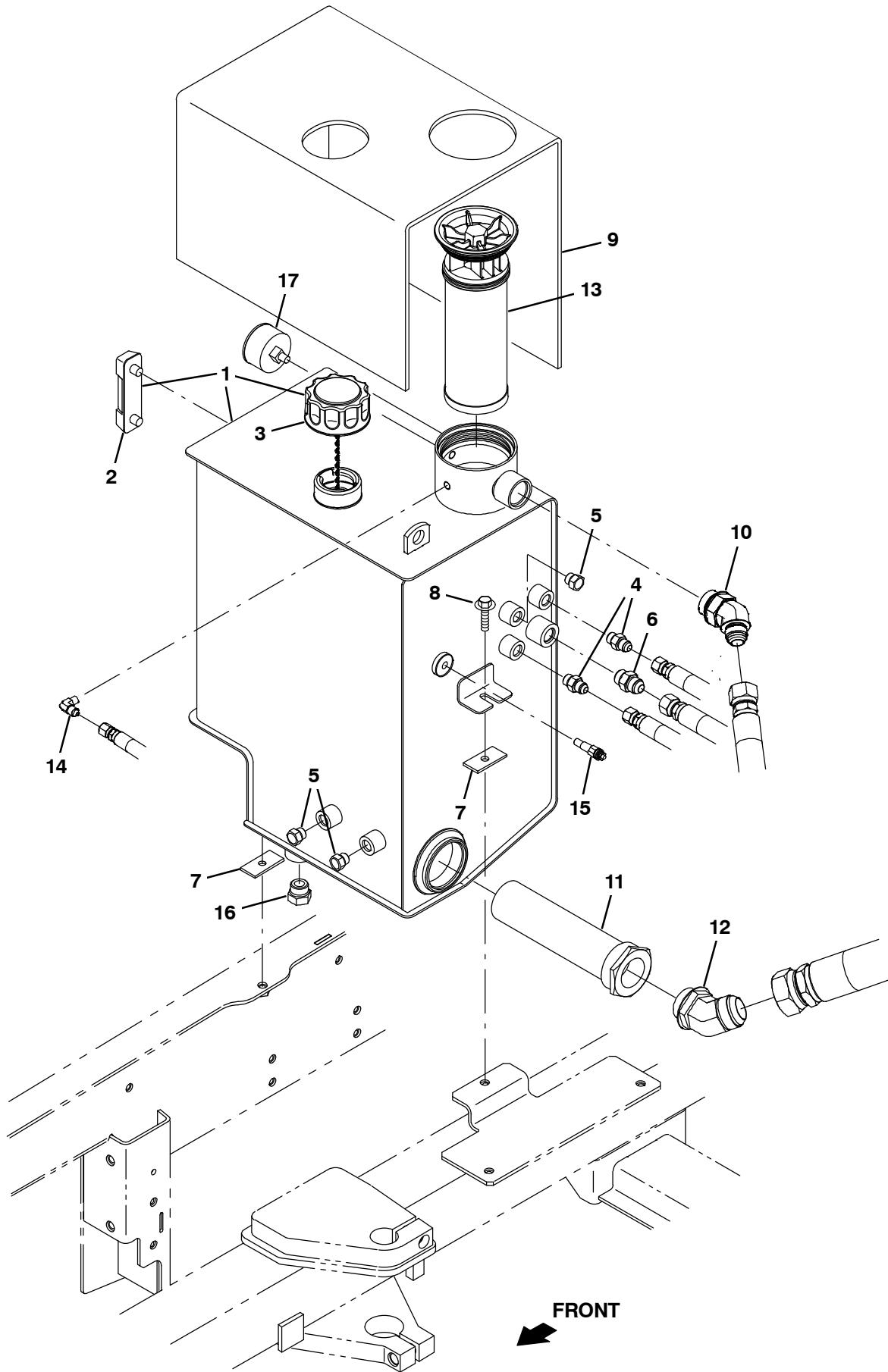


Fig. 60 – Hydraulic Reservoir Group

	Ref.	Part No.	Serial Number	Description	Qty.
▽	1	9002398	(008000-	) Reservoir, Hyd, 10.0Gal, Replmt	1
▲	2	65215	(008000-	) Gauge, Sensing, Level	1
▲	3	1018289	(008000-	) Cap, Breather, Hyd, W Chain	1
	4	56690	(008000-	) Fitting, Hyd, Str, Jm06/Om06	2
	5	46482	(008000-	) Fitting, Hyd, Plug, Om06	3
	6	44869	(008000-	) Fitting, Hyd, Str, Jm08/Om08	1
	7	1040318	(008000-	) Pad, Tank, Hyd [W/Psa]	2
	8	1037354	(008000-	) Screw, Hex, M8 X 1.25 X 30, 9.8, Sems	2
	9	1034878	(008000-	) Insulation, Thermal, Hydraulic Blanket	1
	10	1023545	(008000-	) Fitting, Hyd, E45, Jm12/Om16	1
	11	31613	(008000-	) Strainer, Hyd, 25gpm 100mesh Psi	1
	12	71726	(008000-	) Fitting, Hyd, E45, Jm20/Om20	1
	13	1021579	(008000-	) Filter Assy, Hyd, 10mic	1
	14	55455	(008000-	) Fitting, Hyd, E90, Jm04/Pm02	1
	15	58592	(008000-	) Send-Unit, Water, Temp, 04npt 113oh/195d	1
	16	40362	(008000-	) Fitting, Hyd, Plug, Om10	1
	17	1025132	(008000-	) Indicator, Press, 60psi	1

**Fig. 61 – Hydraulic Valve Group**

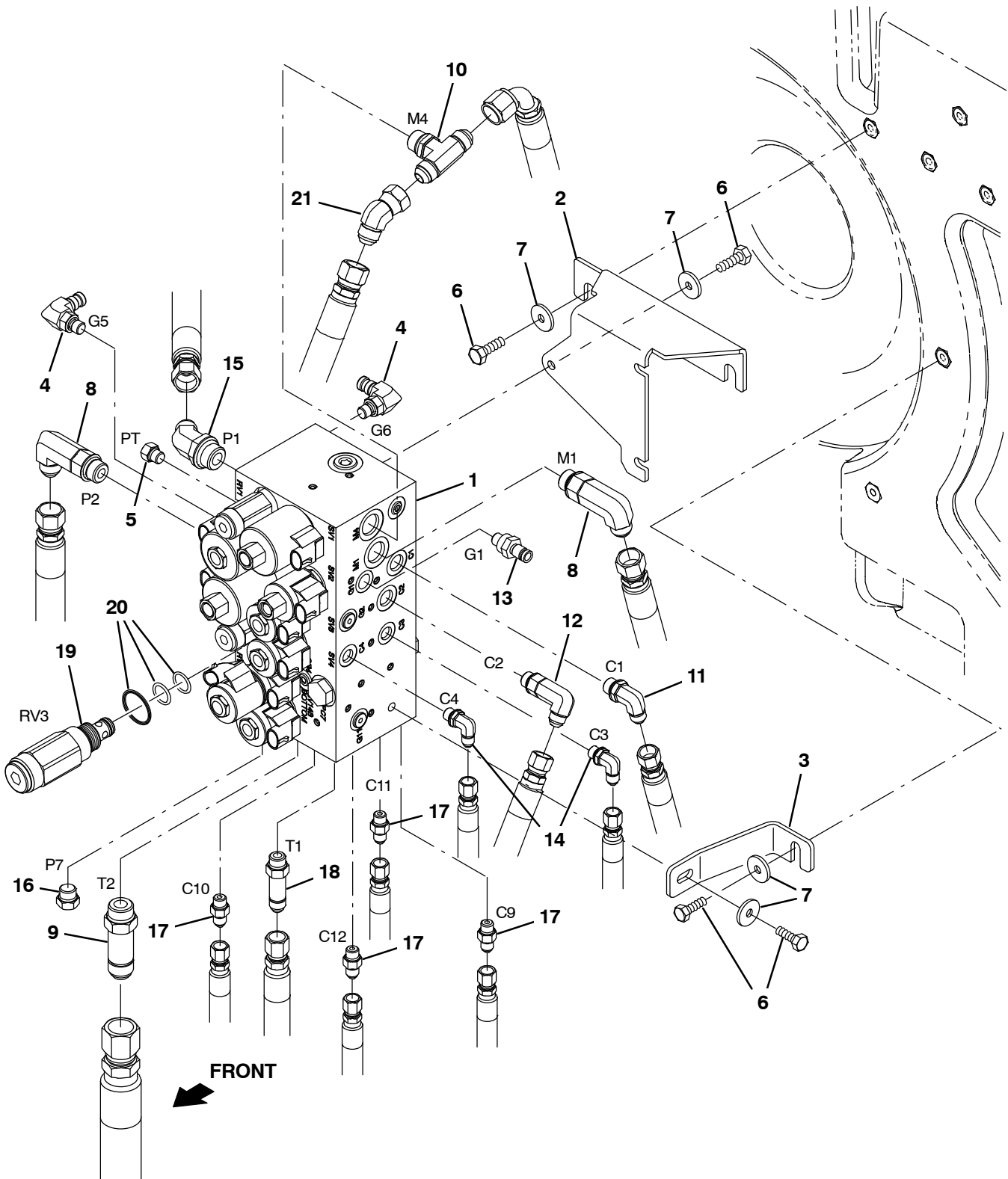




Fig. 61 - Hydraulic Valve Group

Ref.	Part No.	Serial Number	Description	Qty.
1	1072995	(008000-	) Valve, Cntrl, Hyd, Solenoid, 12vdc 10gpm (See Break-downs)	1
2	1039789	(008000-	) Bracket, Mtg, Valve [Combined]	1
3	1040117	(008000-	) Bracket, Mtg, Valve, Lower	1
4	395974	(008000-	) Fitting, Hyd, E90, Om04/Qm04	2
5	33812	(008000-	) Fitting, Hyd, Plug, Om04	1
6	09740	(008000-	) Screw, Hex, M8 X 1.25 X 20, Ss	8
7	1017218	(008000-	) Washer, Flat, 0.32b 1.00d .12, Ss	8
8	69173	(008000-	) Fitting, Hyd, E90, Jm08/Om08, Long	2
9	1040876	(008000-	) Fitting, Hyd, Str, Jm10/Om10, Long	1
10	49933	(008000-	) Fitting, Hyd, Tee, Jm08/Jm08/Om08, Br	1
11	56820	(008000-	) Fitting, Hyd, E90, Jm06/Om06	1
12	71727	(008000-	) Fitting, Hyd, E90, Jm06/Om06, Long	1
13	395973	(008000-	) Fitting, Hyd, Str, Om04/Qm04	1
14	77097	(008000-	) Fitting, Hyd, E90, Jm04/Om04	2
15	42226	(008000-	) Fitting, Hyd, E45, Jm08/Om08	1
16	46482	(008000-	) Fitting, Hyd, Plug, Om06	1
17	55586	(008000-	) Fitting, Hyd, Str, Jm04/Om04	4
18	59577	(008000-	) Fitting, Hyd, Str, Jm06/Om06, Long	1
▽	19	1044367	(008000-) Valve, Relief, 0600Psi	1
▲	20	373647	(008000-) Seal Kit, Cartridge	1
	21	07797	(008000-) Fitting, Hyd, E45, Jf08/Jm08	1

Fig. 62 - Electrical Schematic (008000-014000)

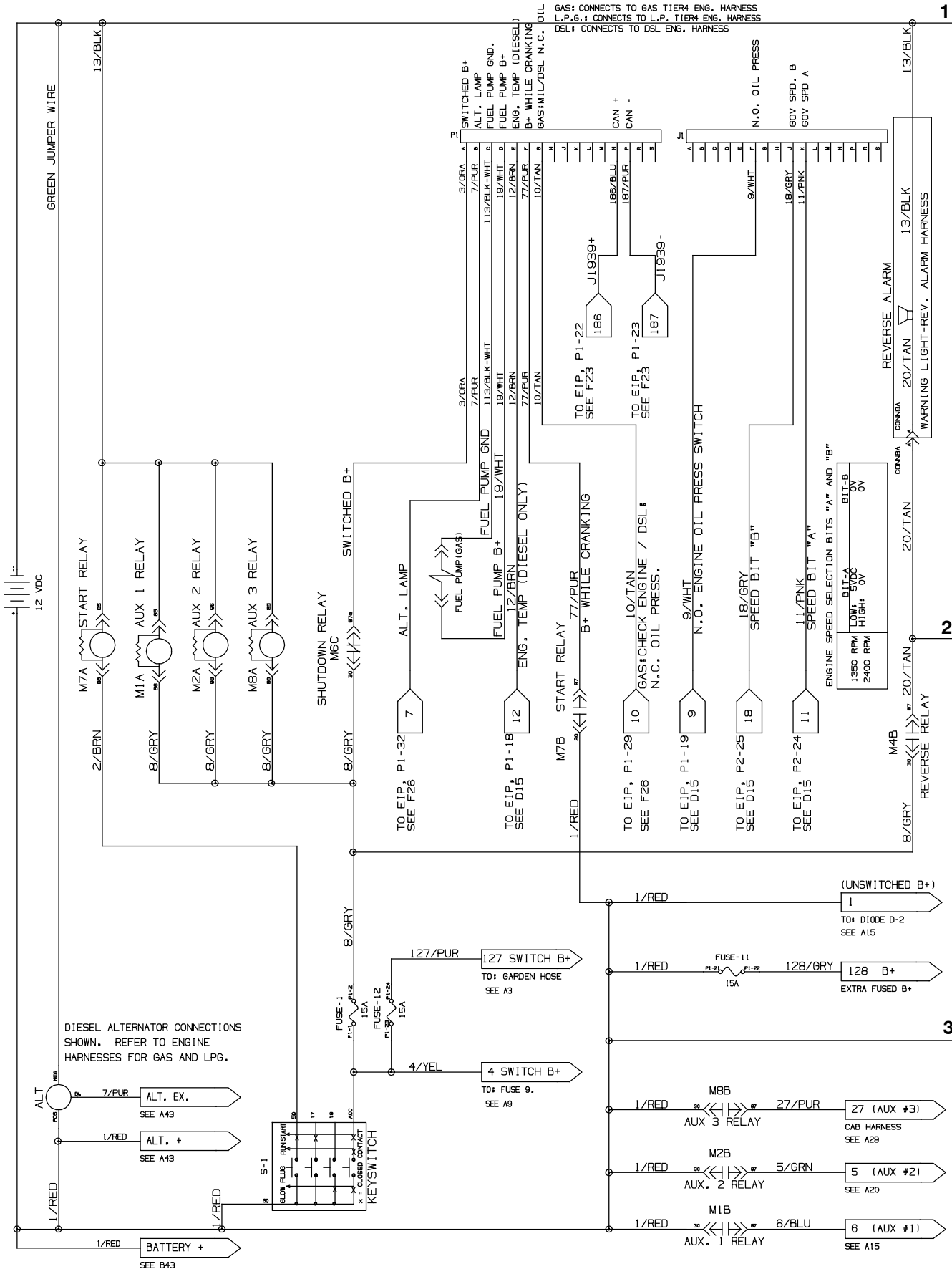
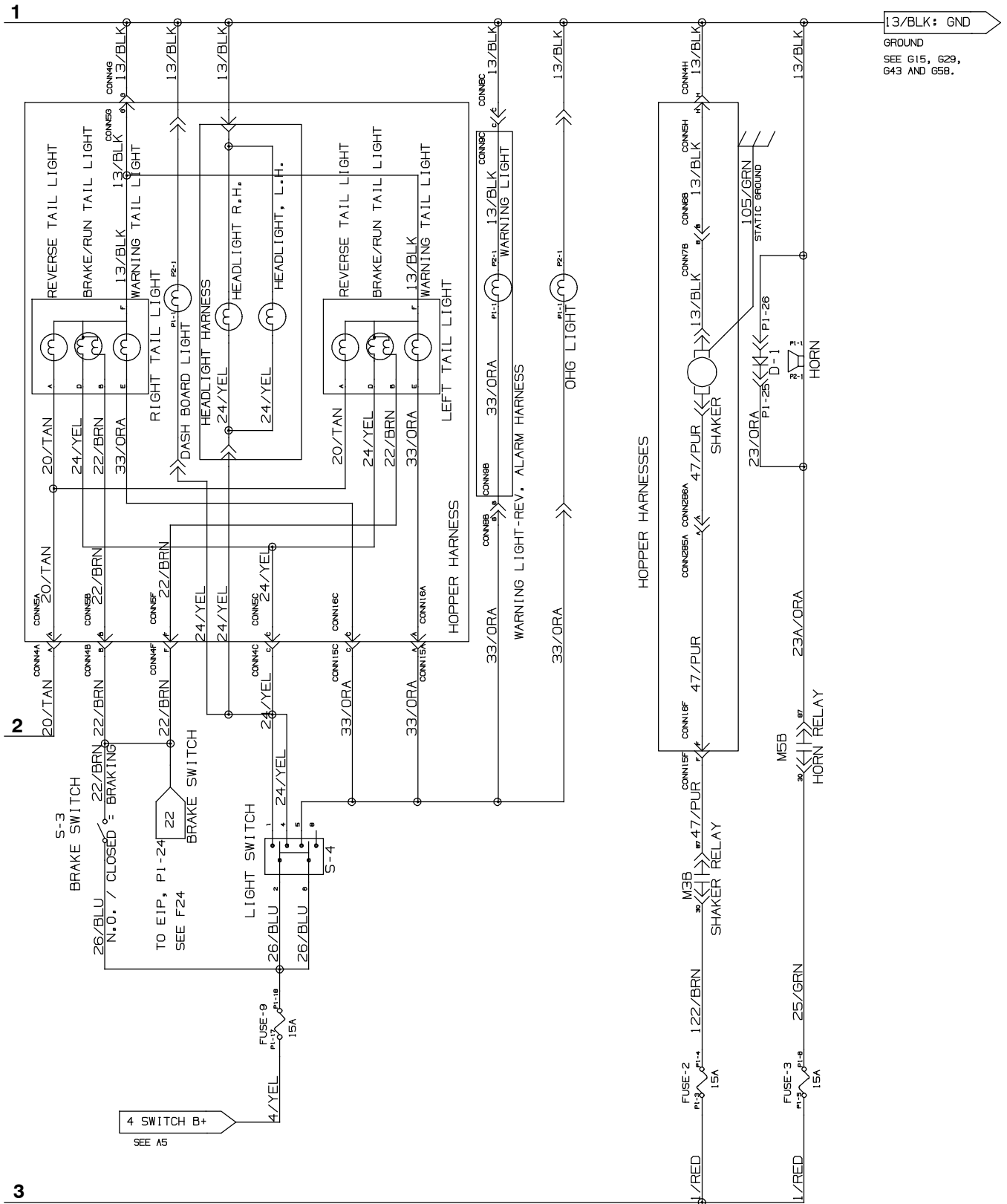


Fig. 62 - Electrical Schematic (008000-014000)



13/BLK: GND  
GROUND  
SEE G15, G29,  
G43 AND G58.

3

Fig. 62 - Electrical Schematic (008000-014000)

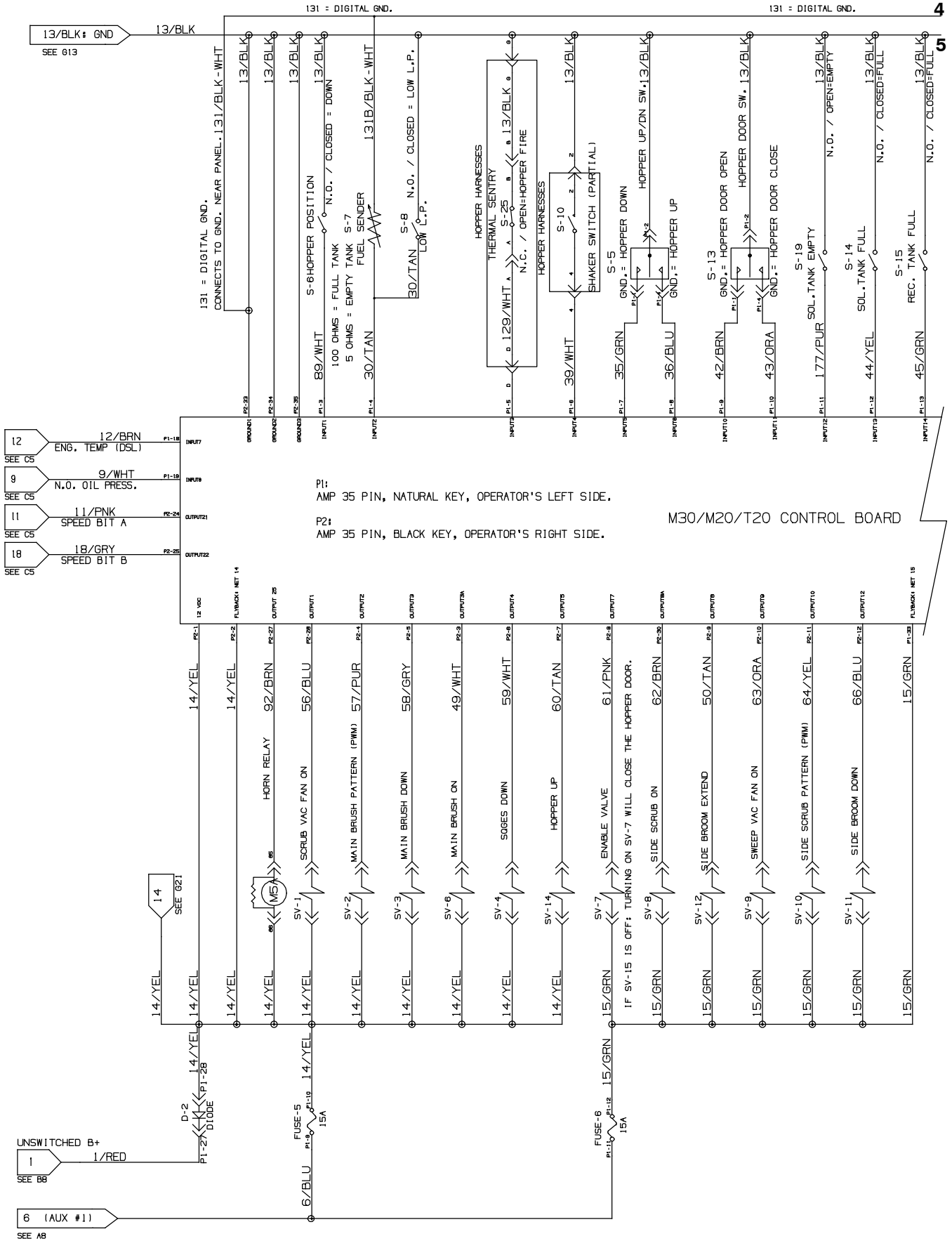
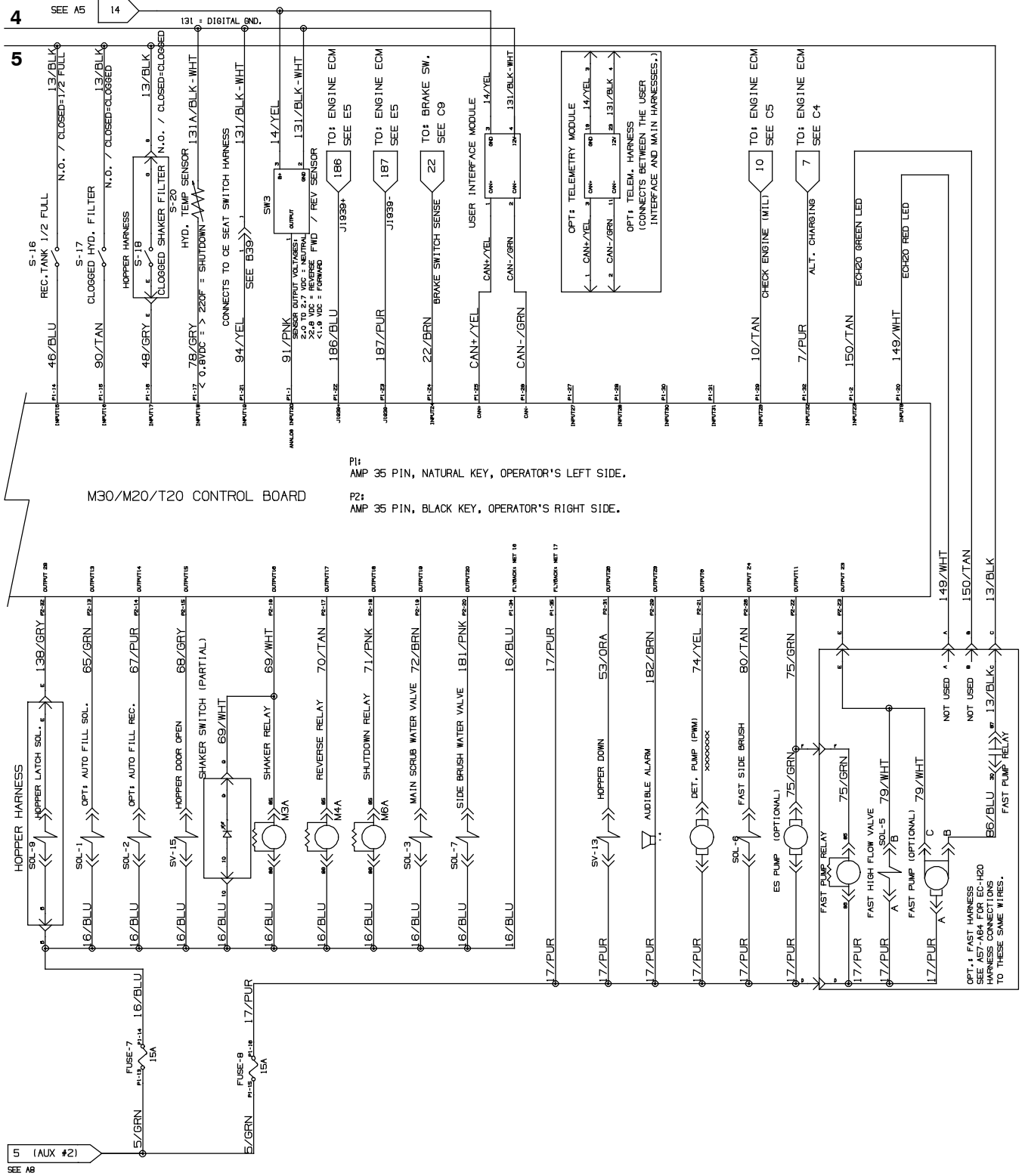
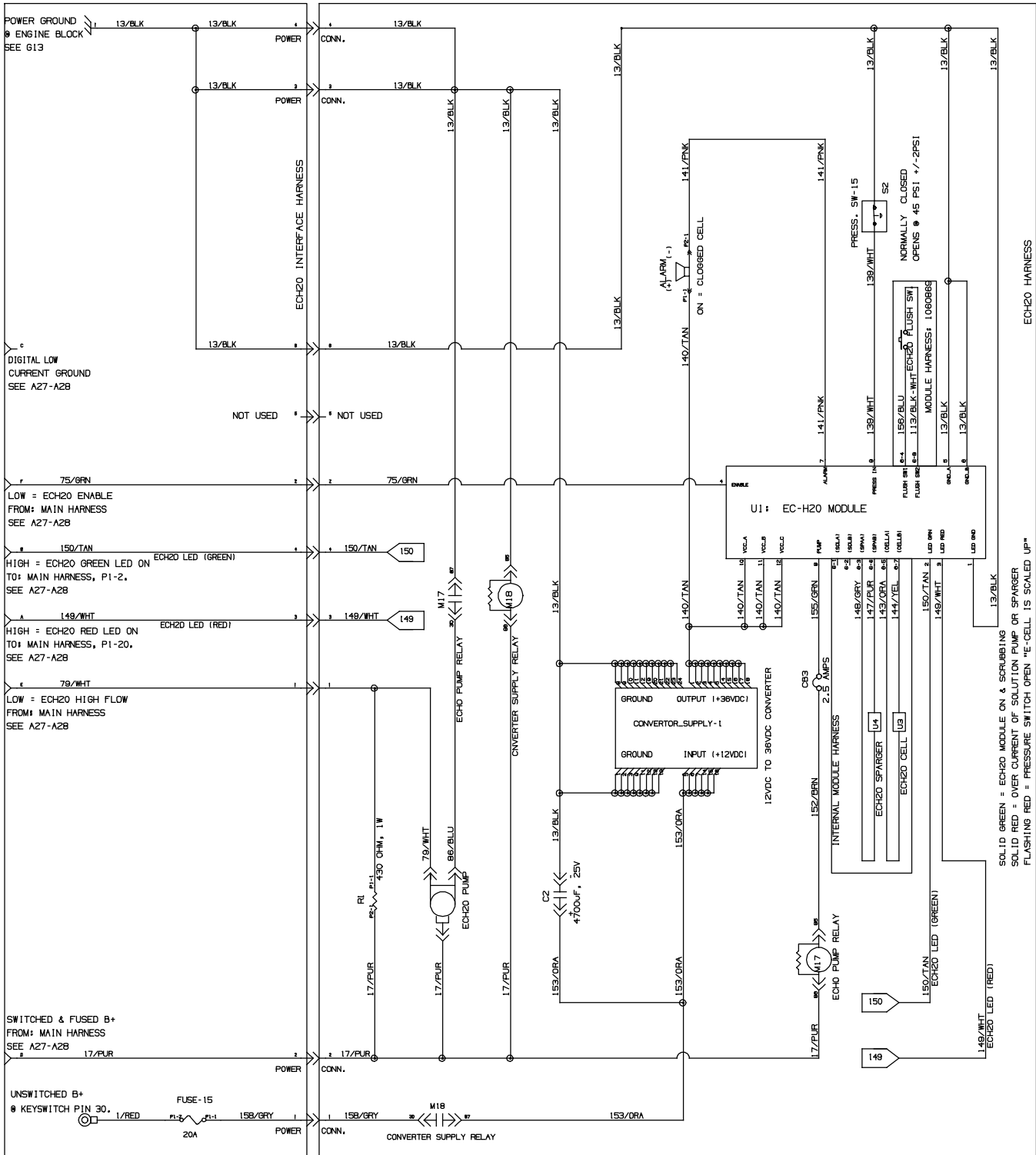


Fig. 62 - Electrical Schematic (008000-014000)



## Fig. 62 - Electrical Schematic (008000-014000)

OPT: EC-H2O SYSTEM

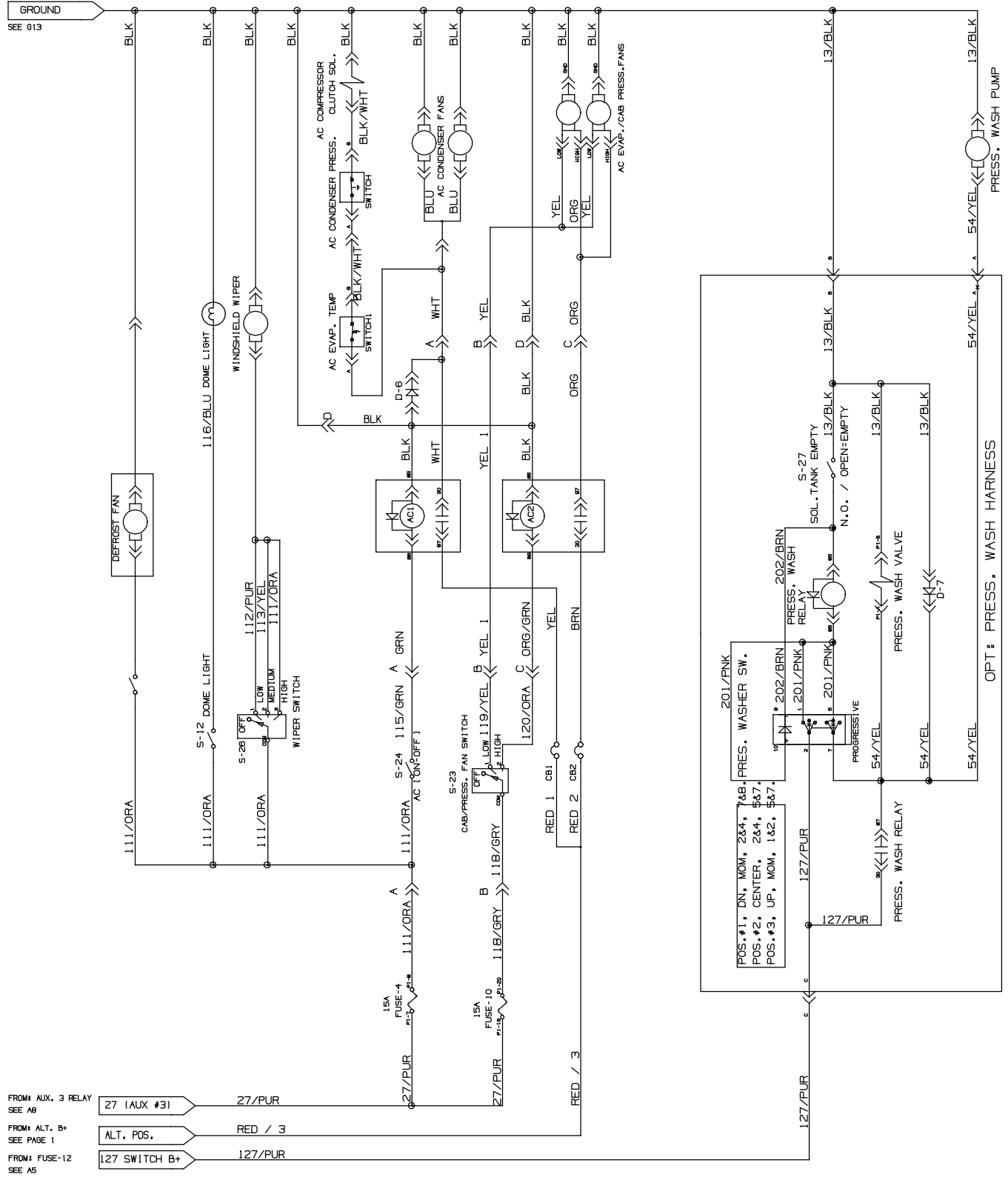


1075420 - 356680

Fig. 62 - Electrical Schematic (008000-014000)

OPT: CAB HEATING AND AC OPTION

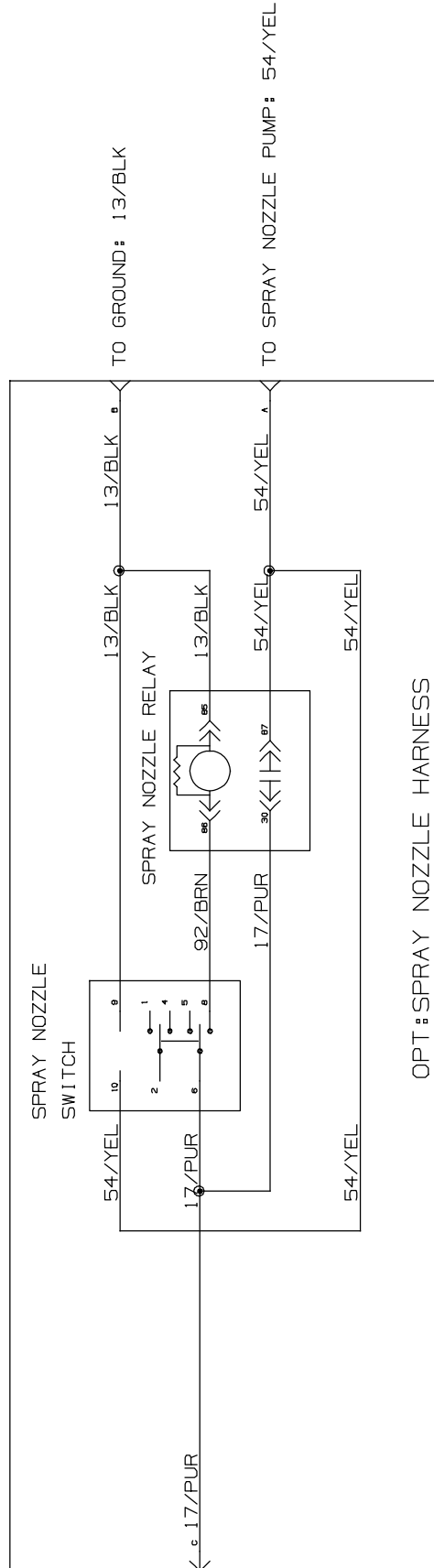
OPT: PRESSURE WASHER



1075420 - 356680

Fig. 62 - Electrical Schematic (008000-014000)

OPT : SPRAY NOZZLE







## Fig. 63 - Electrical Schematic (014001- )

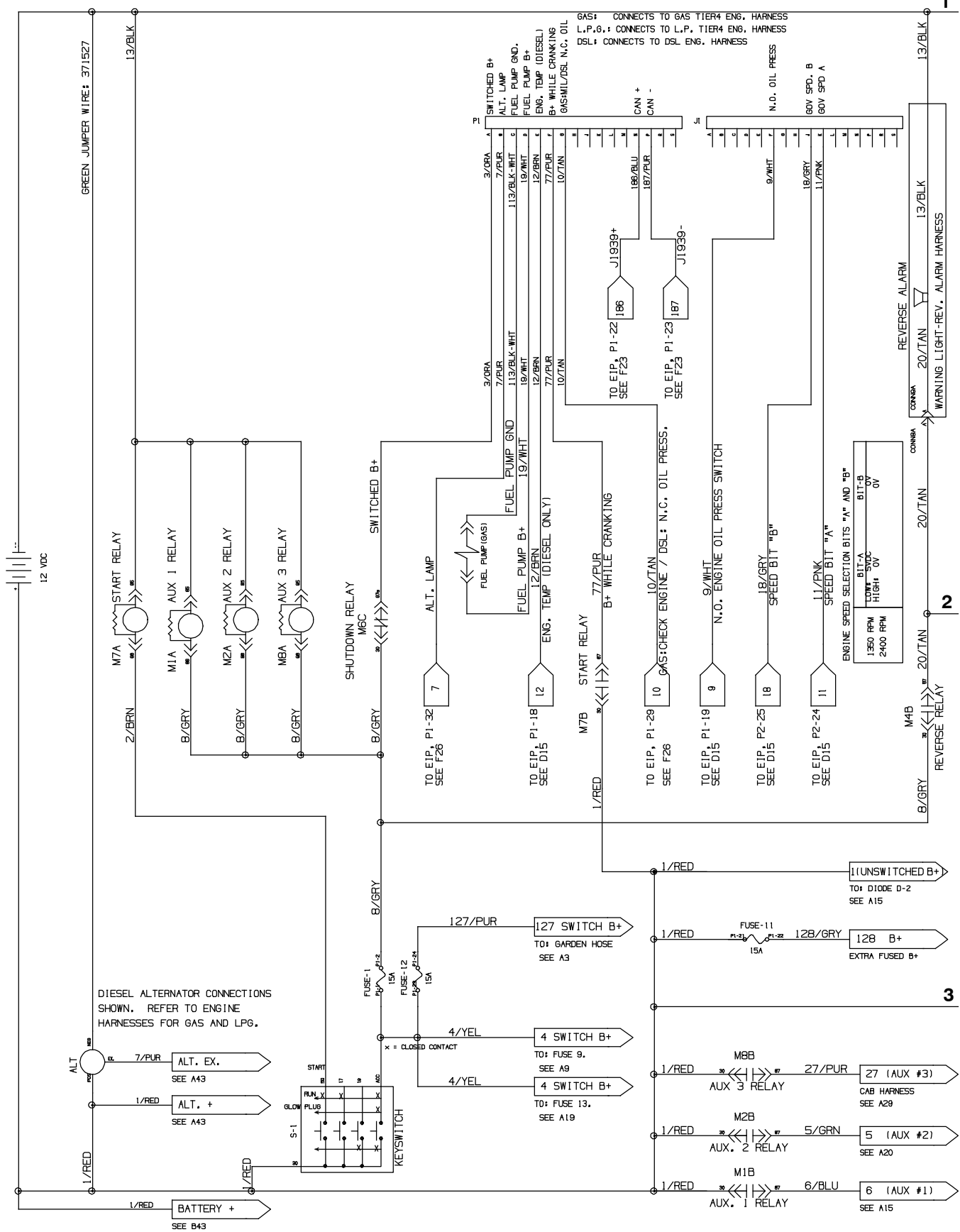


Fig. 62 - Electrical Schematic (014001- )

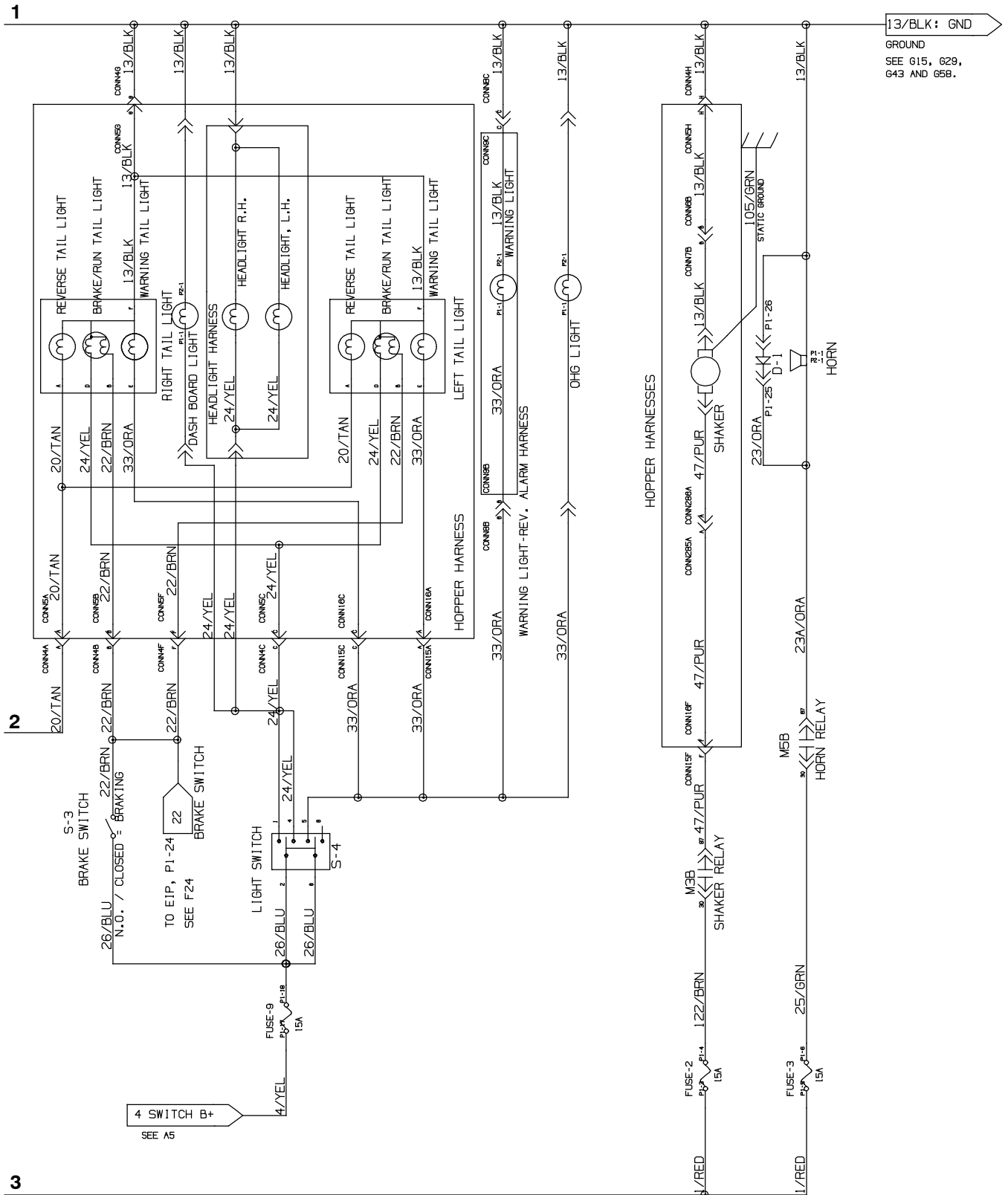


Fig. 62 - Electrical Schematic (014001- )

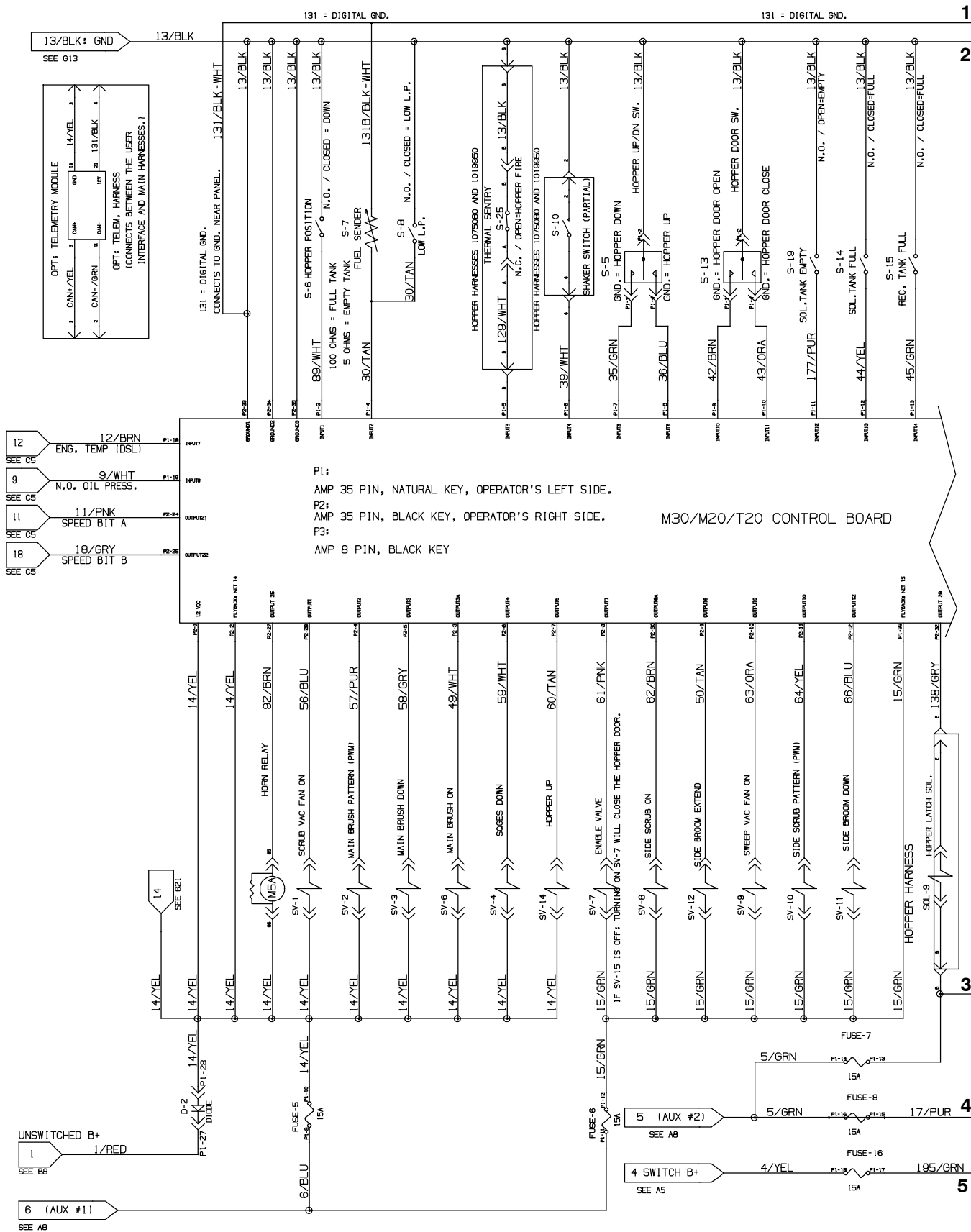


Fig. 62 - Electrical Schematic (014001- )

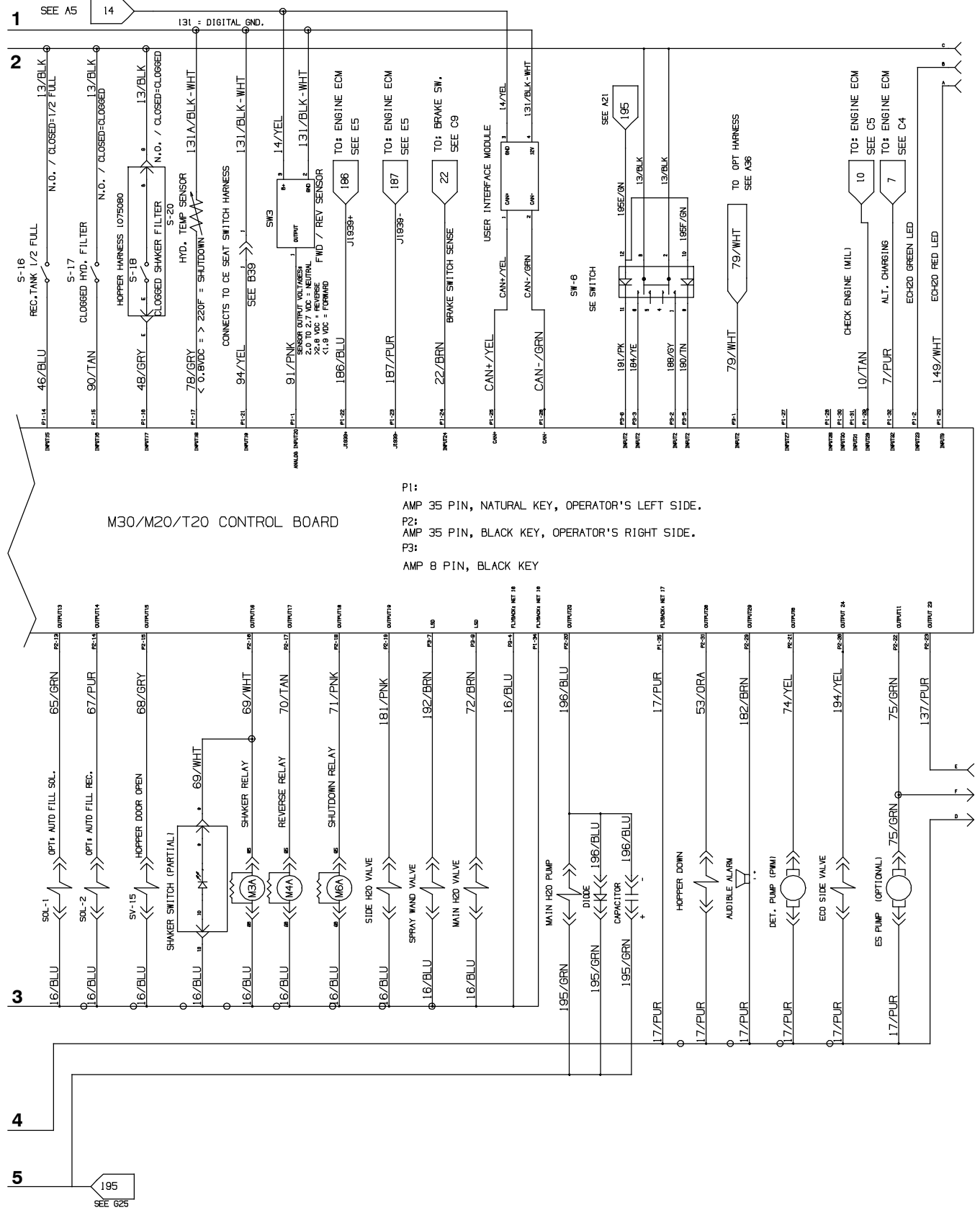
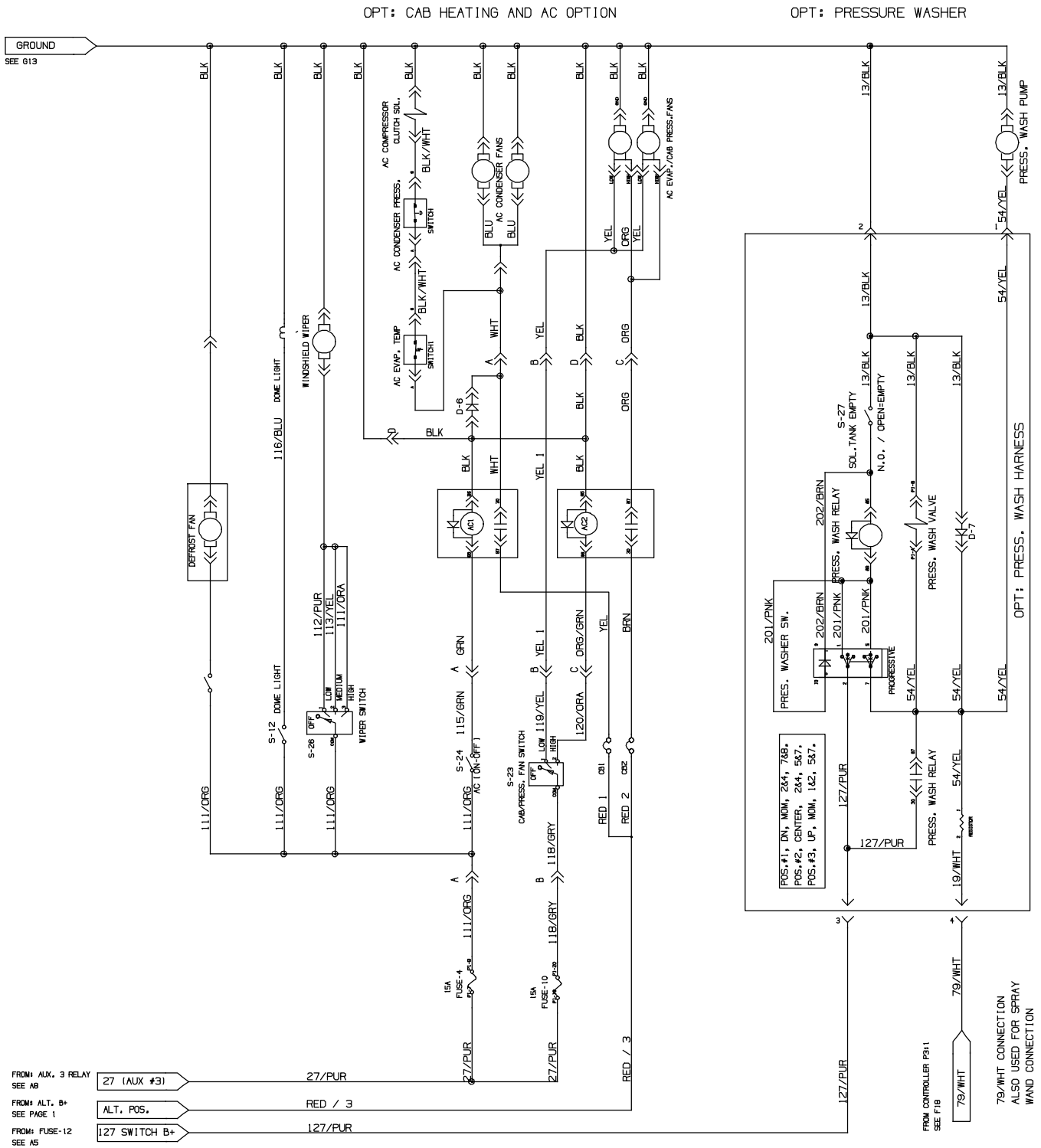
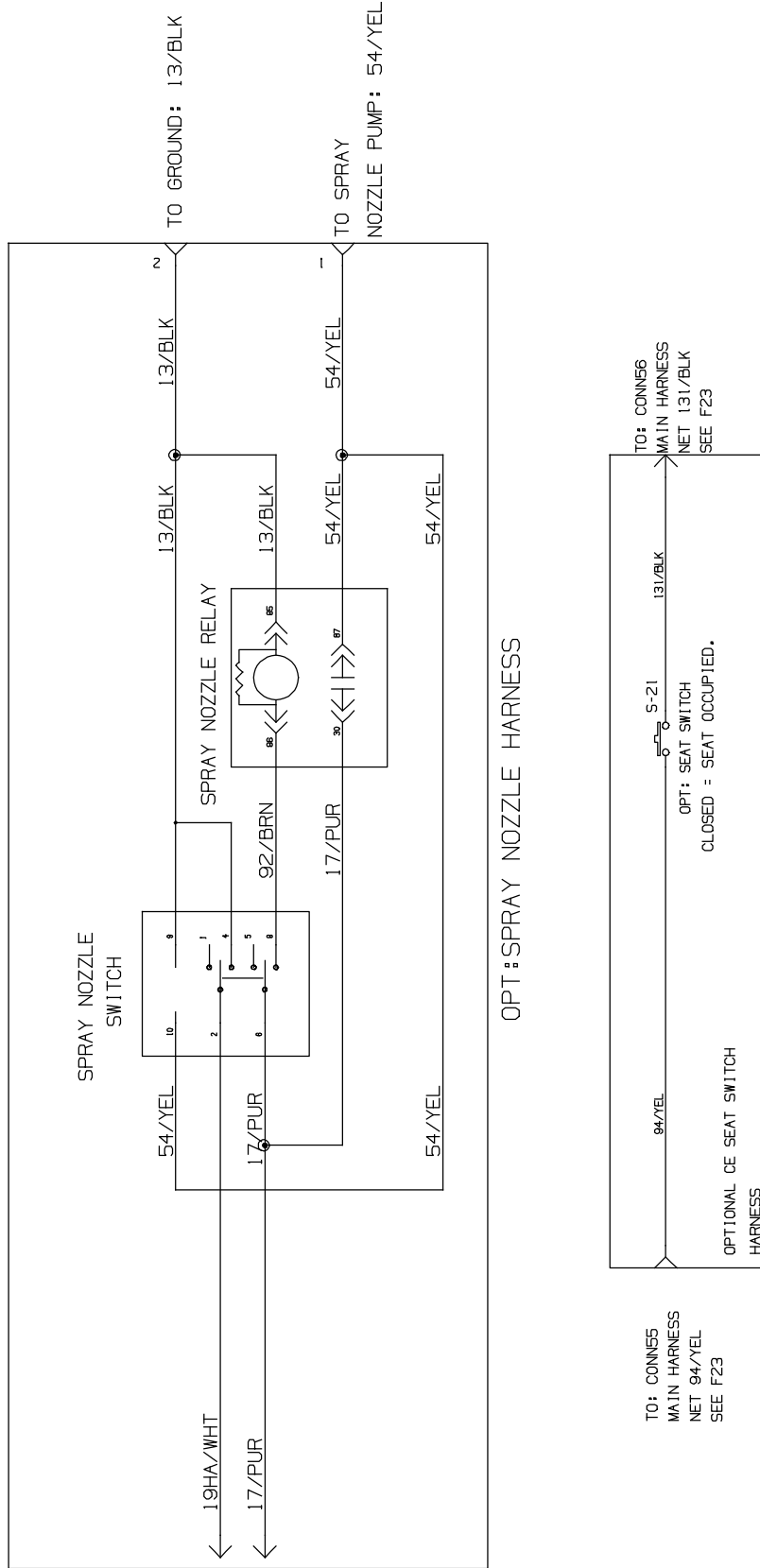


Fig. 62 - Electrical Schematic (014001- )

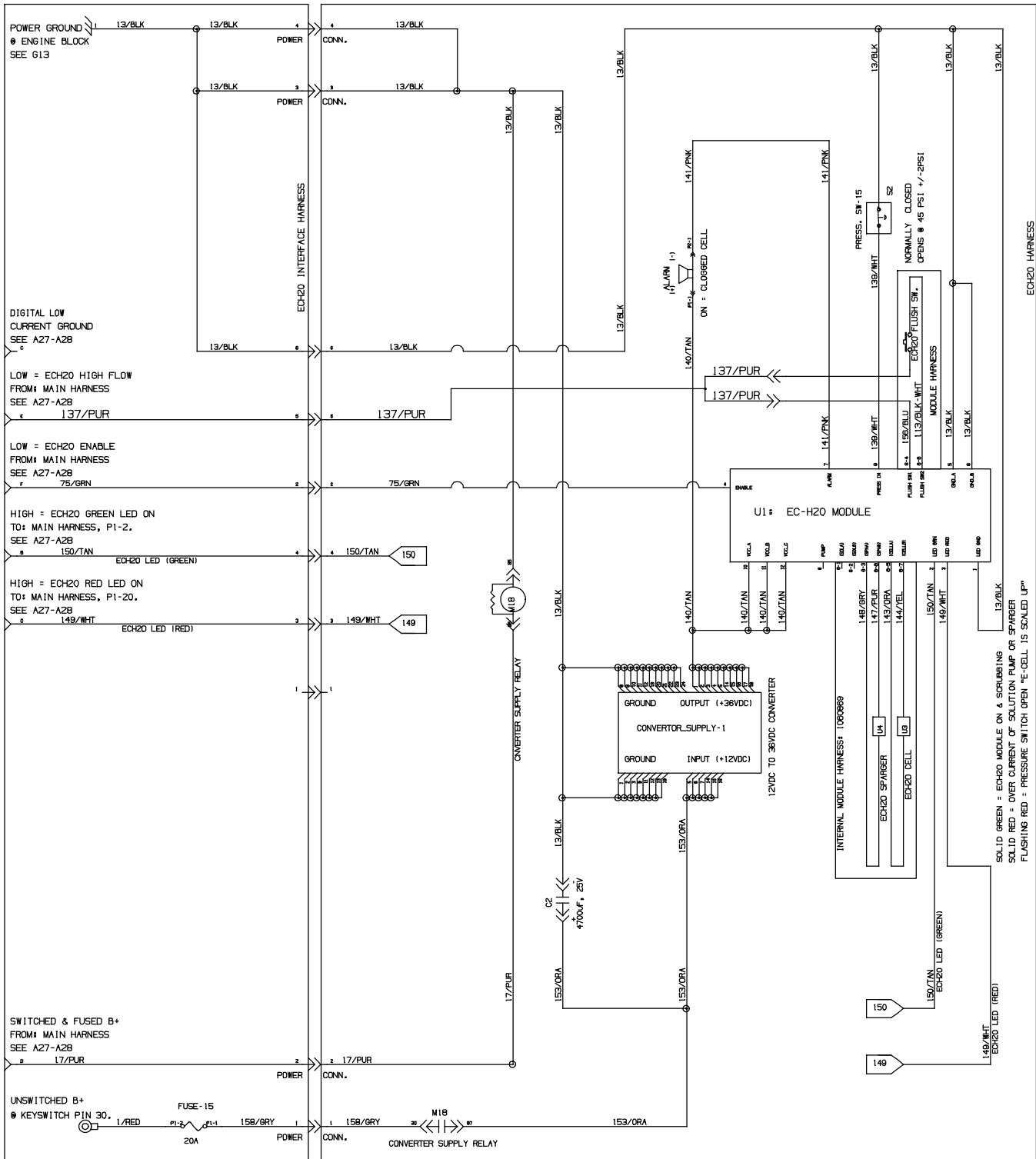


**Fig. 62 - Electrical Schematic (014001- )**  
OPT : SPRAY NOZZLE



## Fig. 62 - Electrical Schematic (014001- )

OPT: EC-H2O SYSTEM

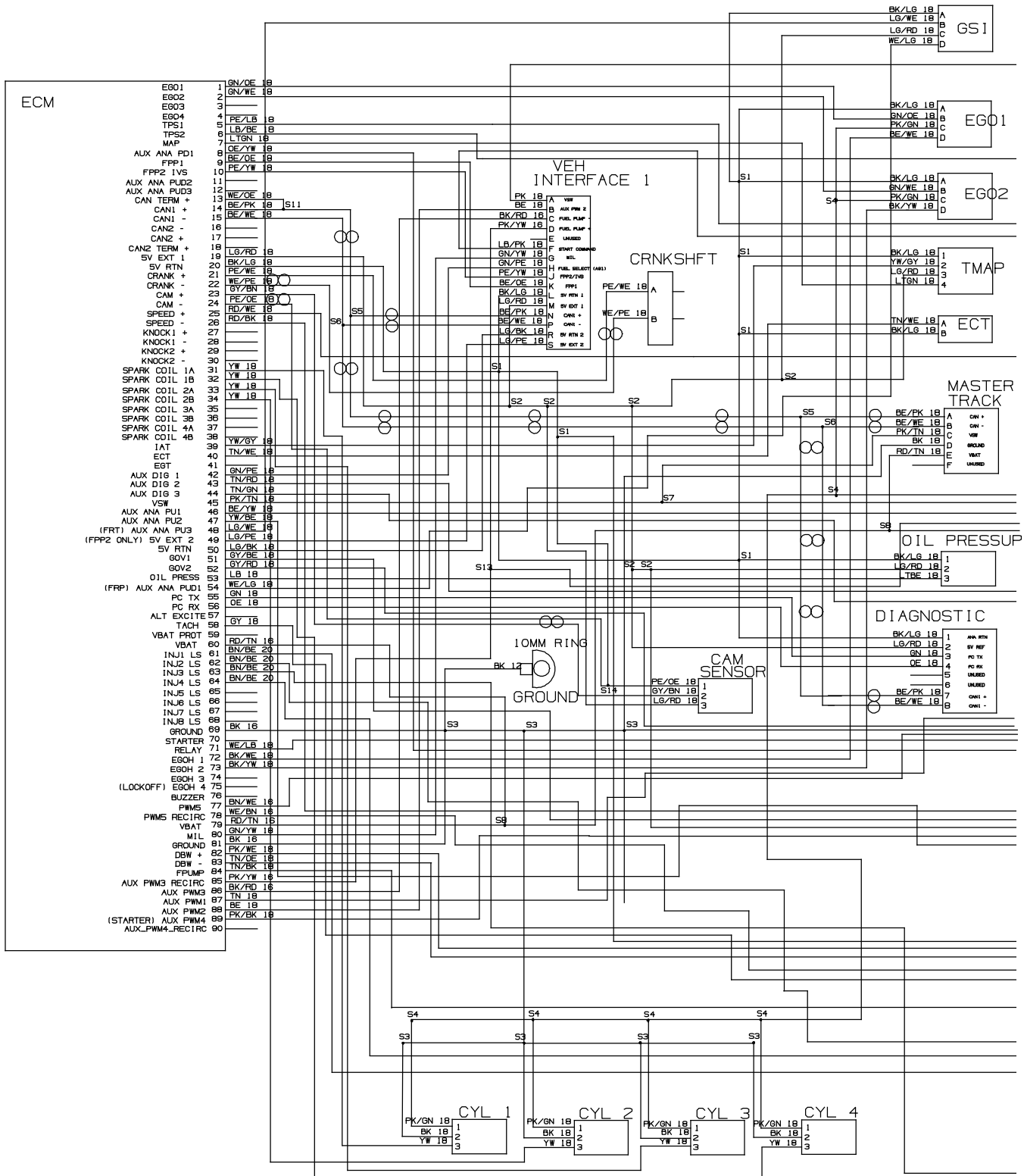


1075420 - 356680





Fig. 64 - Electrical Schematic, Gas Engine Harness



1071653- 356303

Fig. 64 - Electrical Schematic, Gas Engine Harness

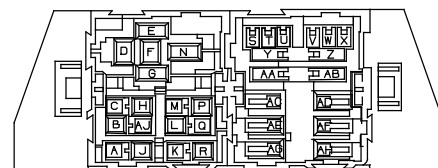
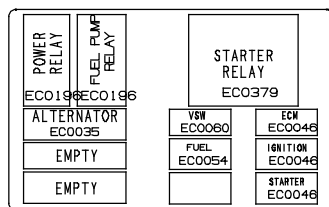
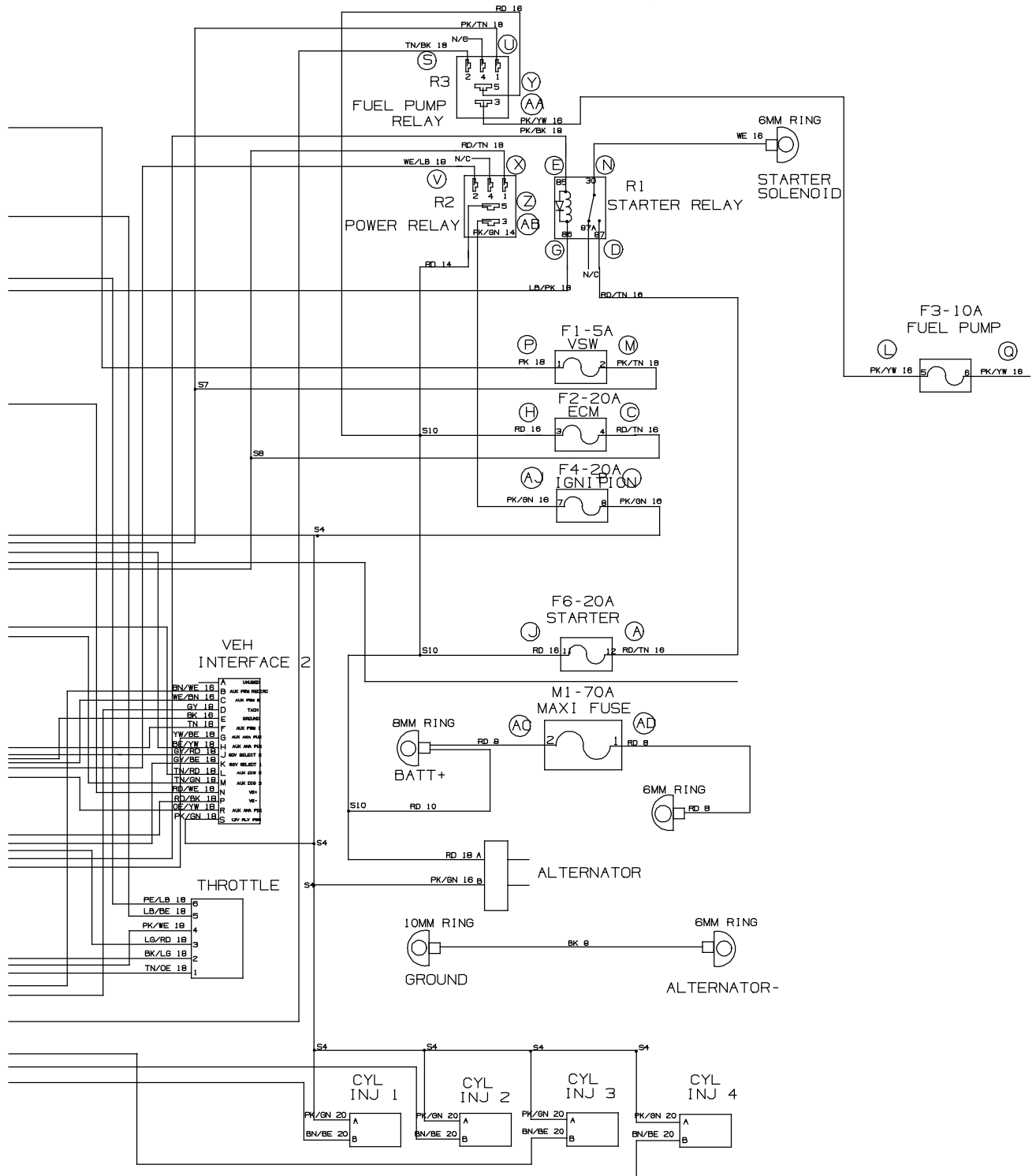
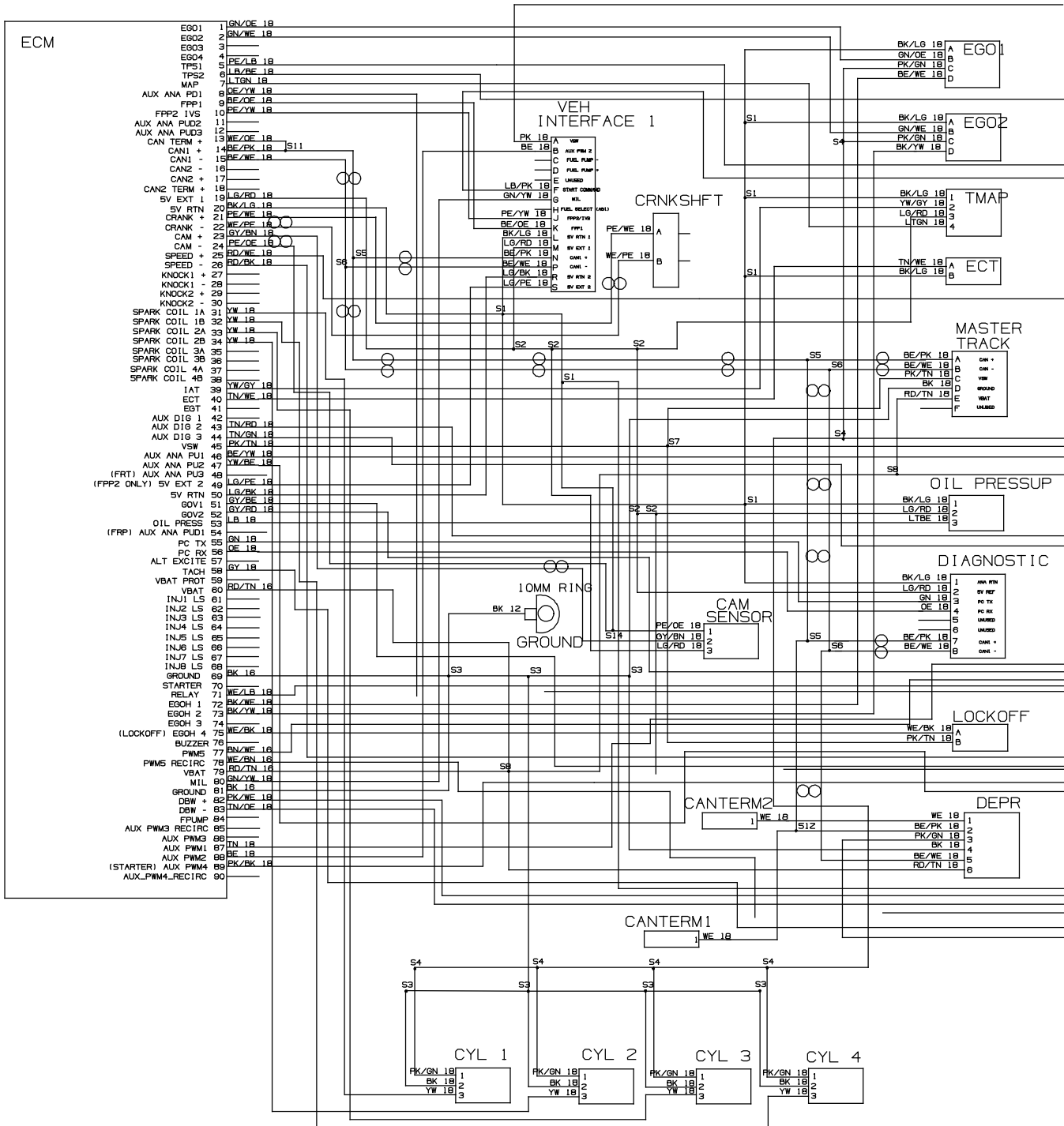


Fig. 65 - Electrical Schematic, LPG Engine Harness



1071654- 356304

Fig. 65 - Electrical Schematic, LPG Engine Harness

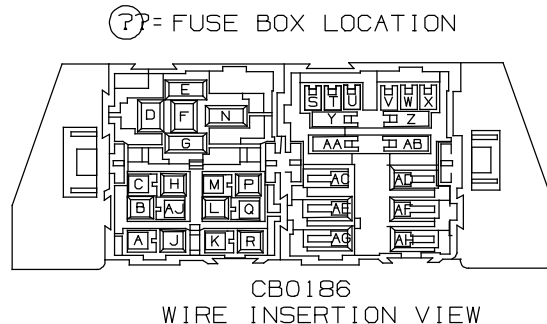
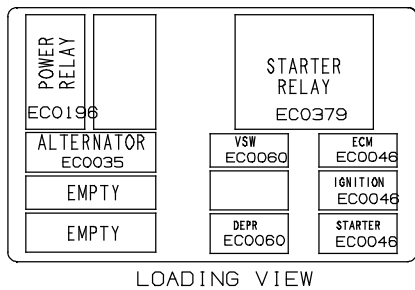
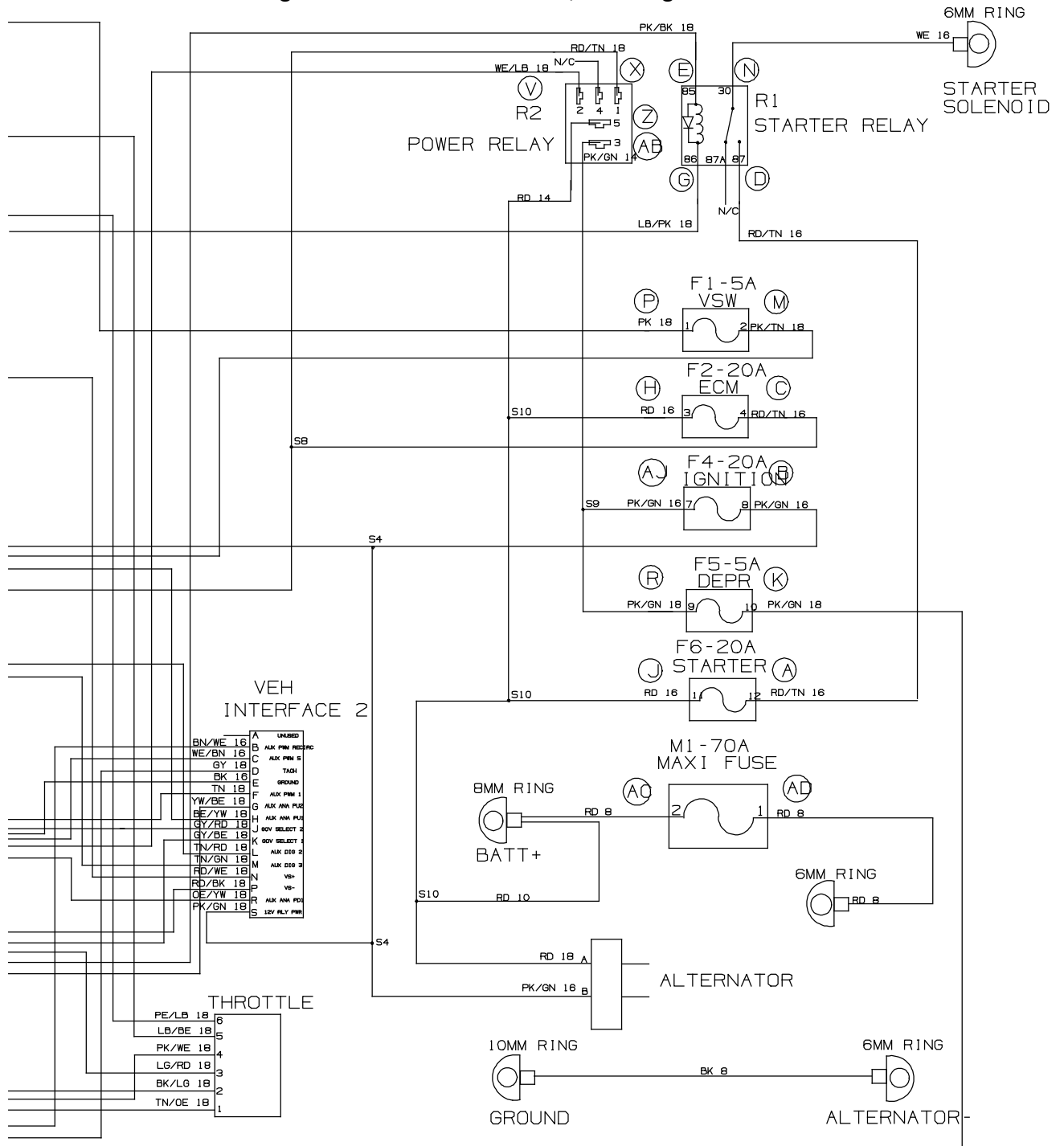


Fig. 66 - Electrical Wire Harness Group, Main (008000-014000)

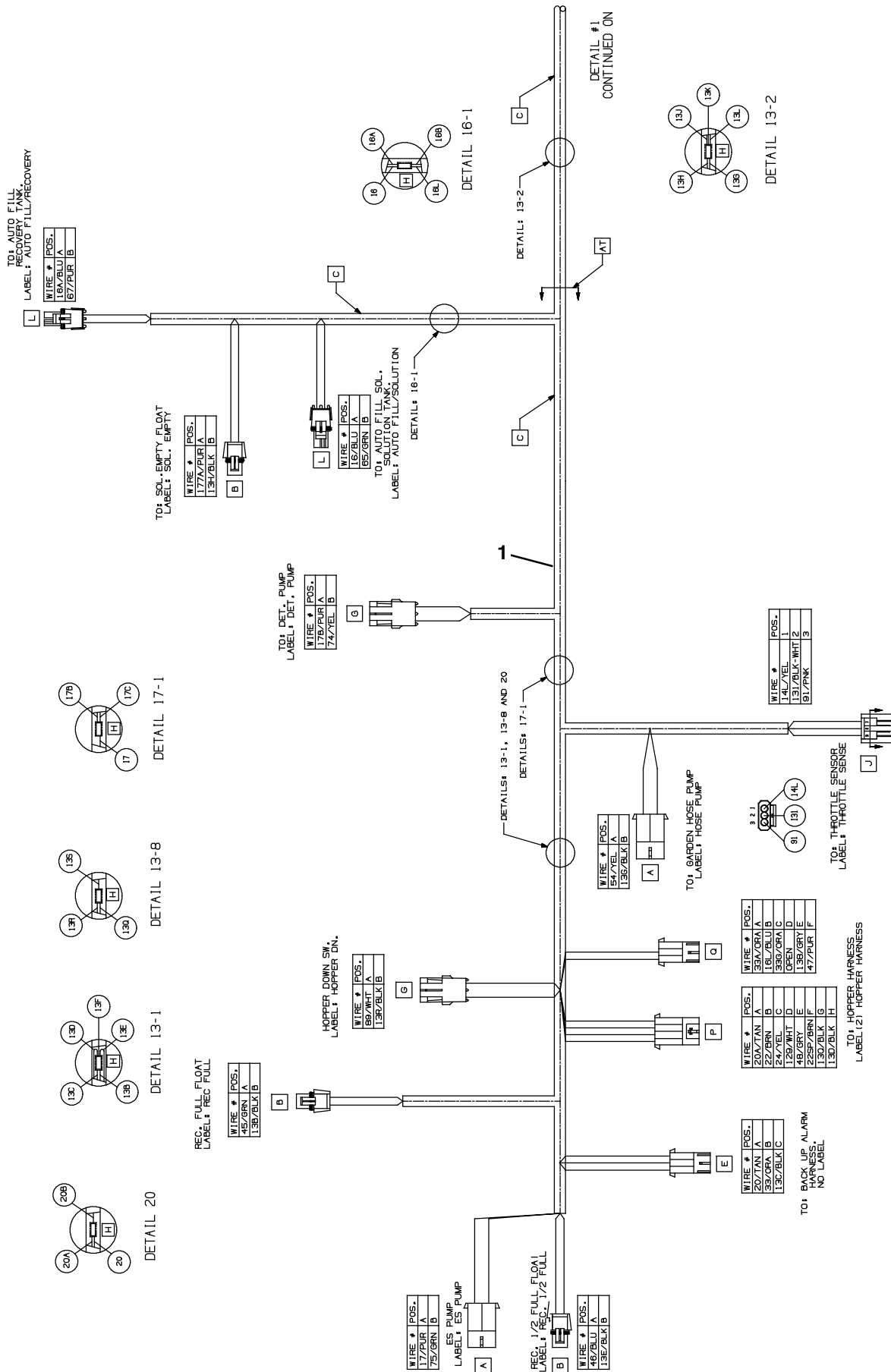








Fig. 66 - Electrical Wire Harness Group, Main (008000-014000)

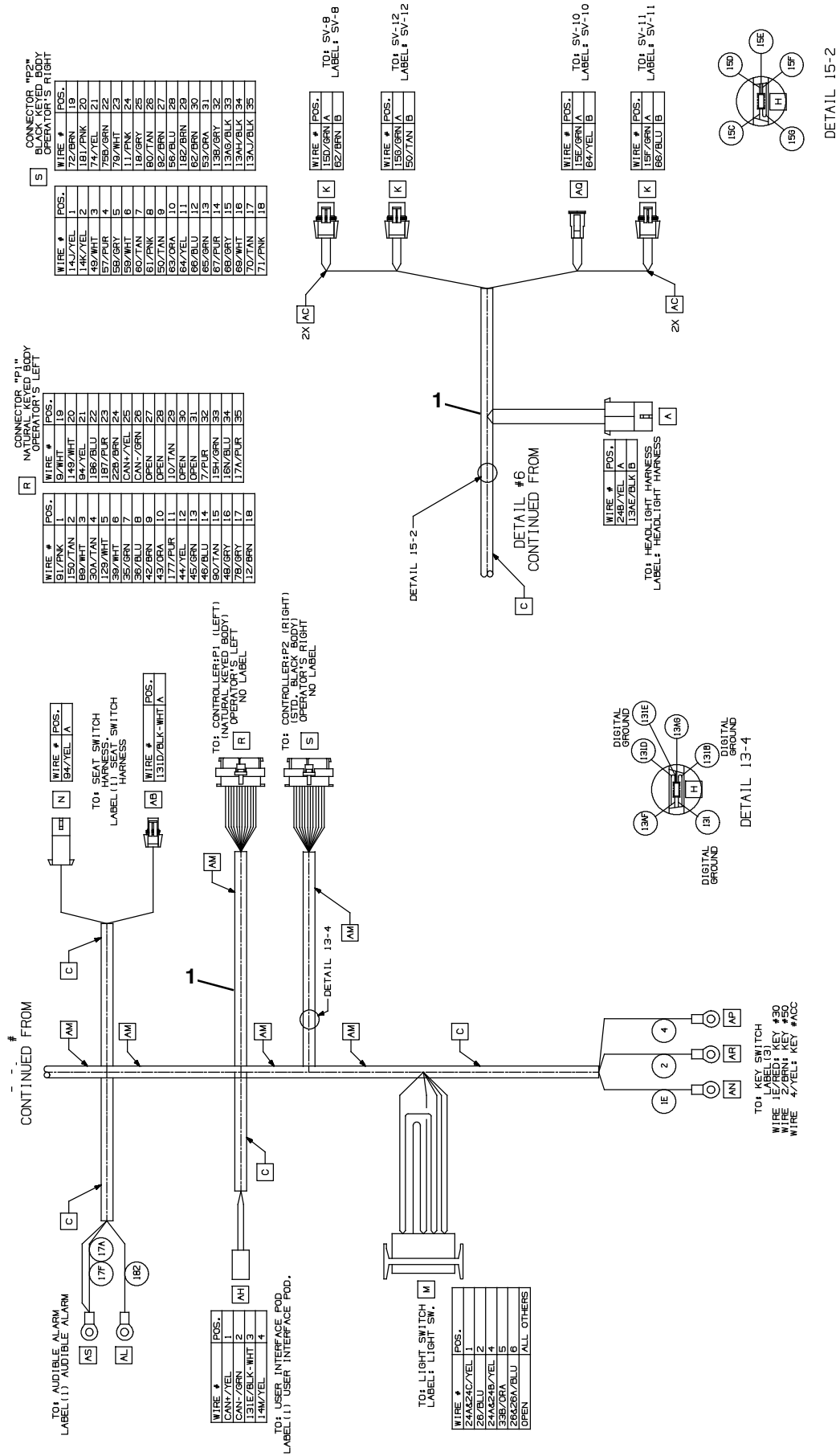
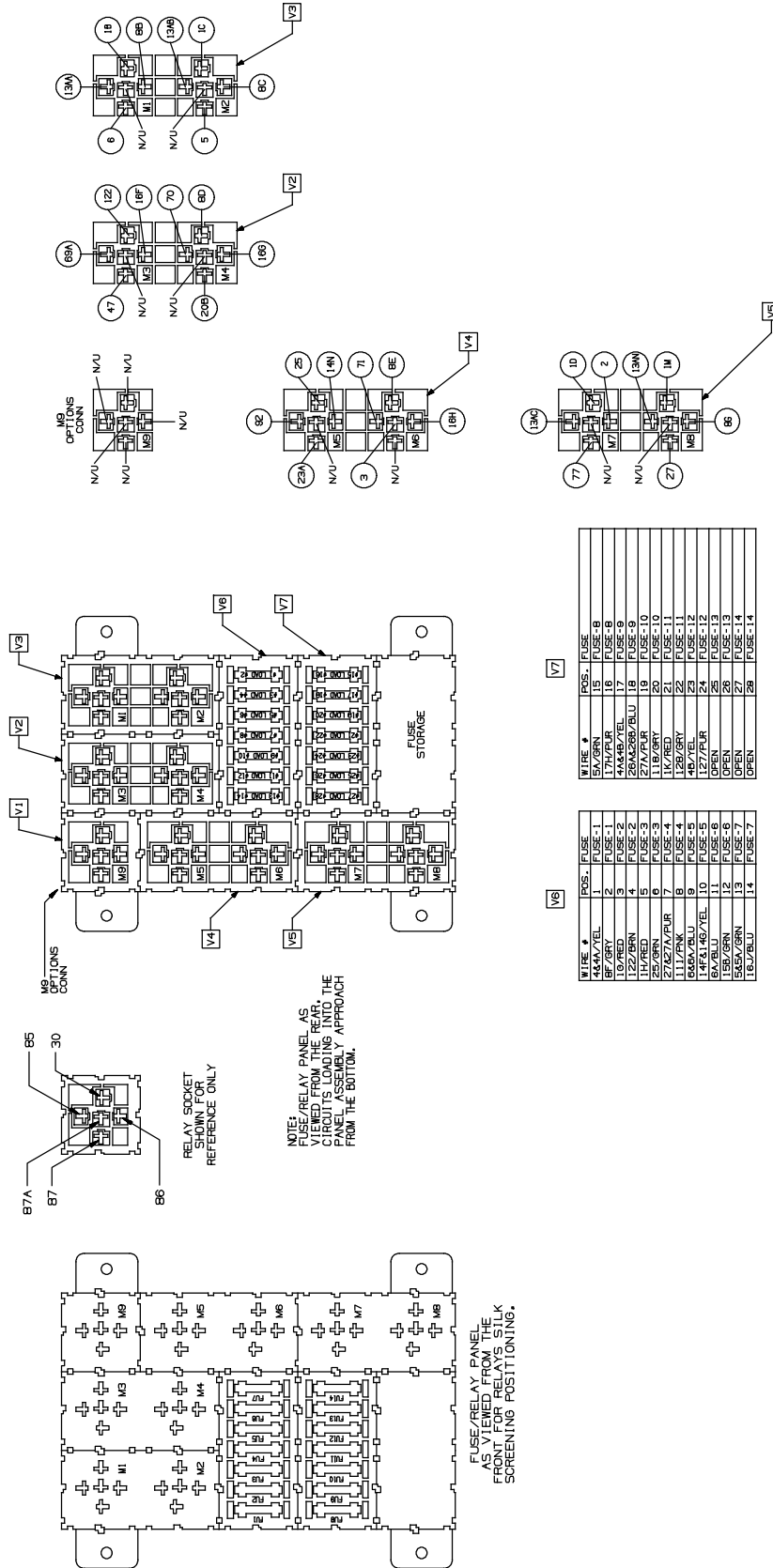




Fig. 66 - Electrical Wire Harness Group, Main (008000-014000)



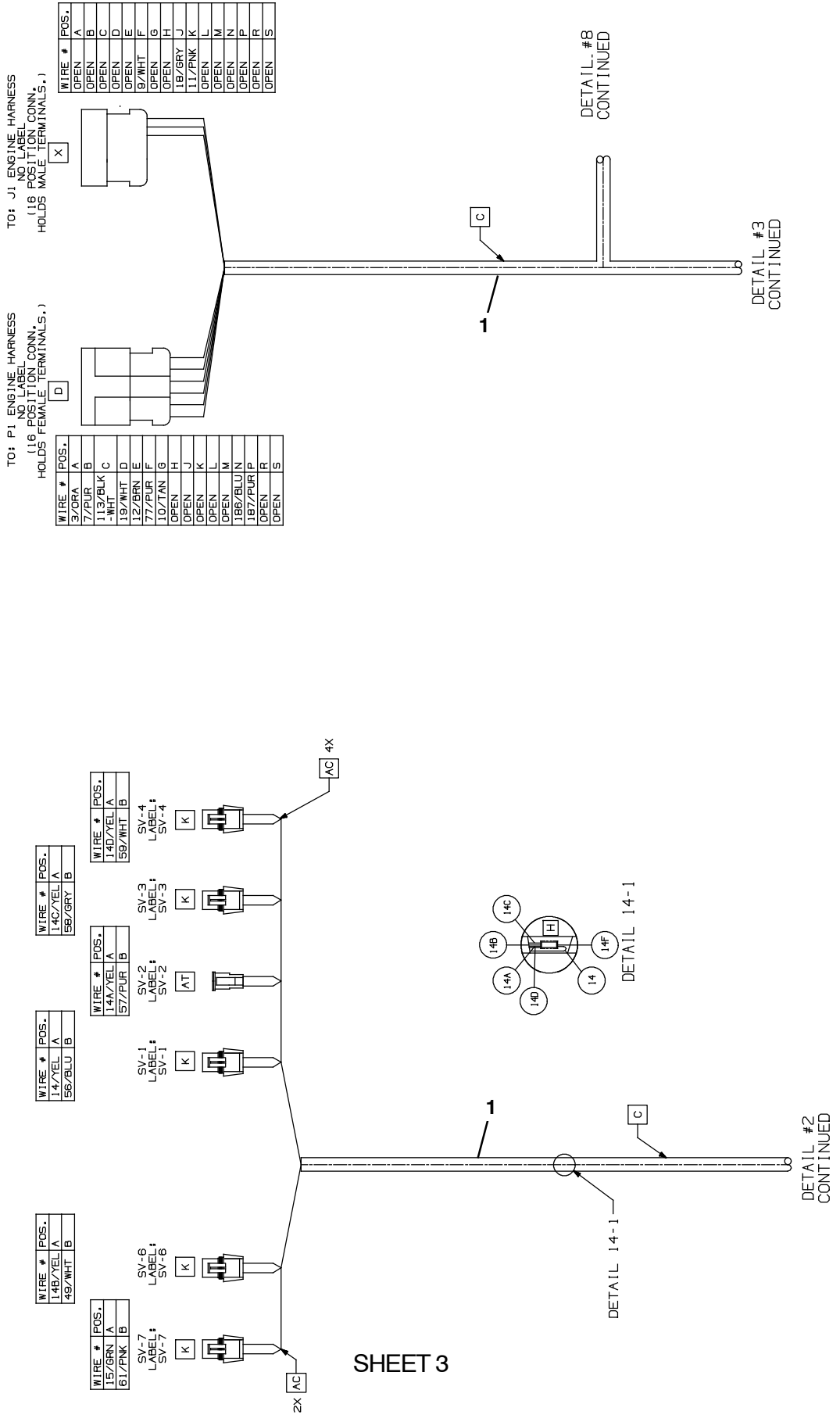
356678 - M20, M30

Ref.	Part No.	Serial Number	Description	Qty.
1	1075079	(008000-014000 )	Harness, Main [M30/M20]	1





**Fig. 67 - Electrical Wire Harness Group, Main (014001- )**



SHEET 3

Fig. 67 - Electrical Wire Harness Group, Main (014001- )

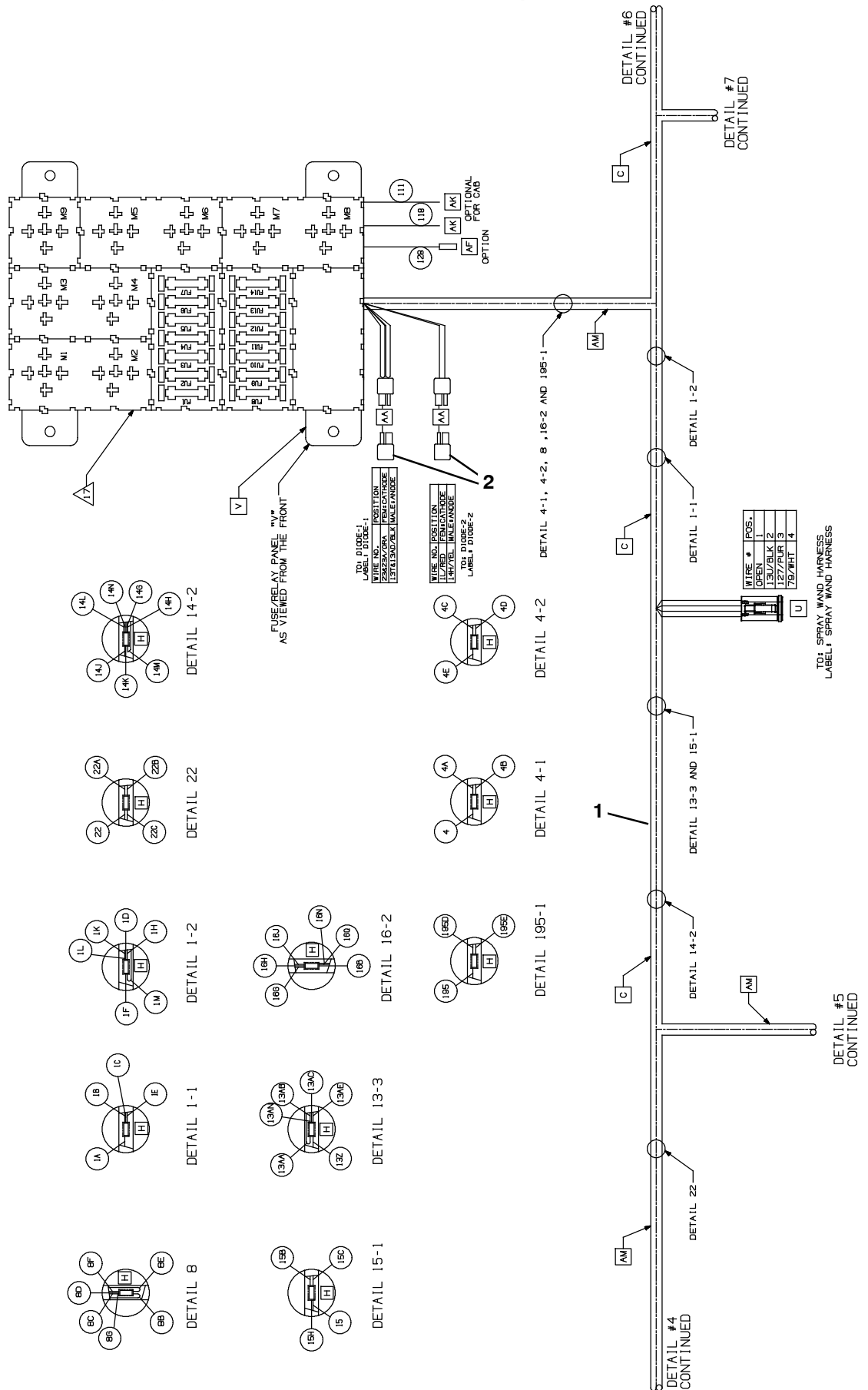


Fig. 67 - Electrical Wire Harness Group, Main (014001- )

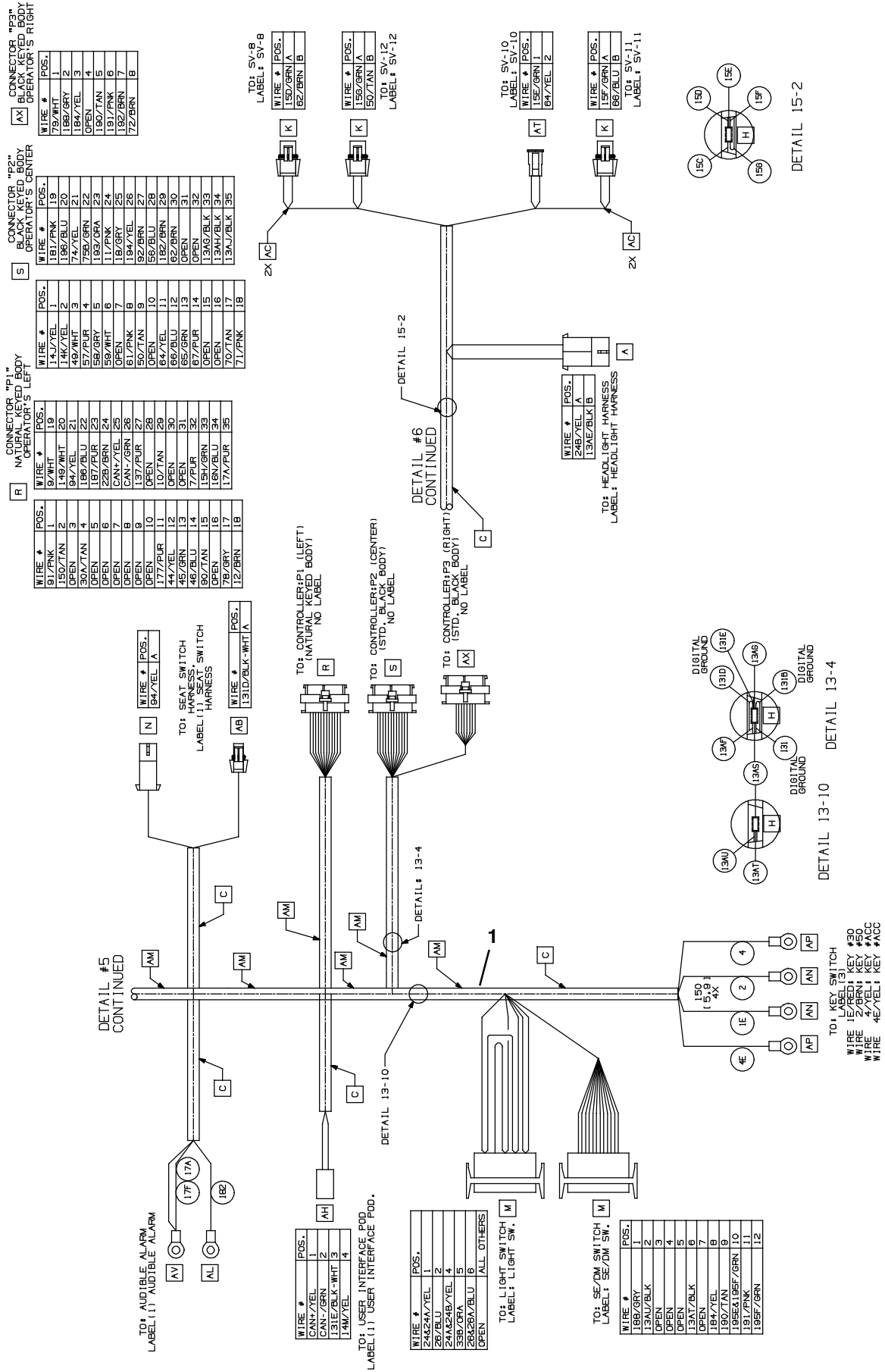
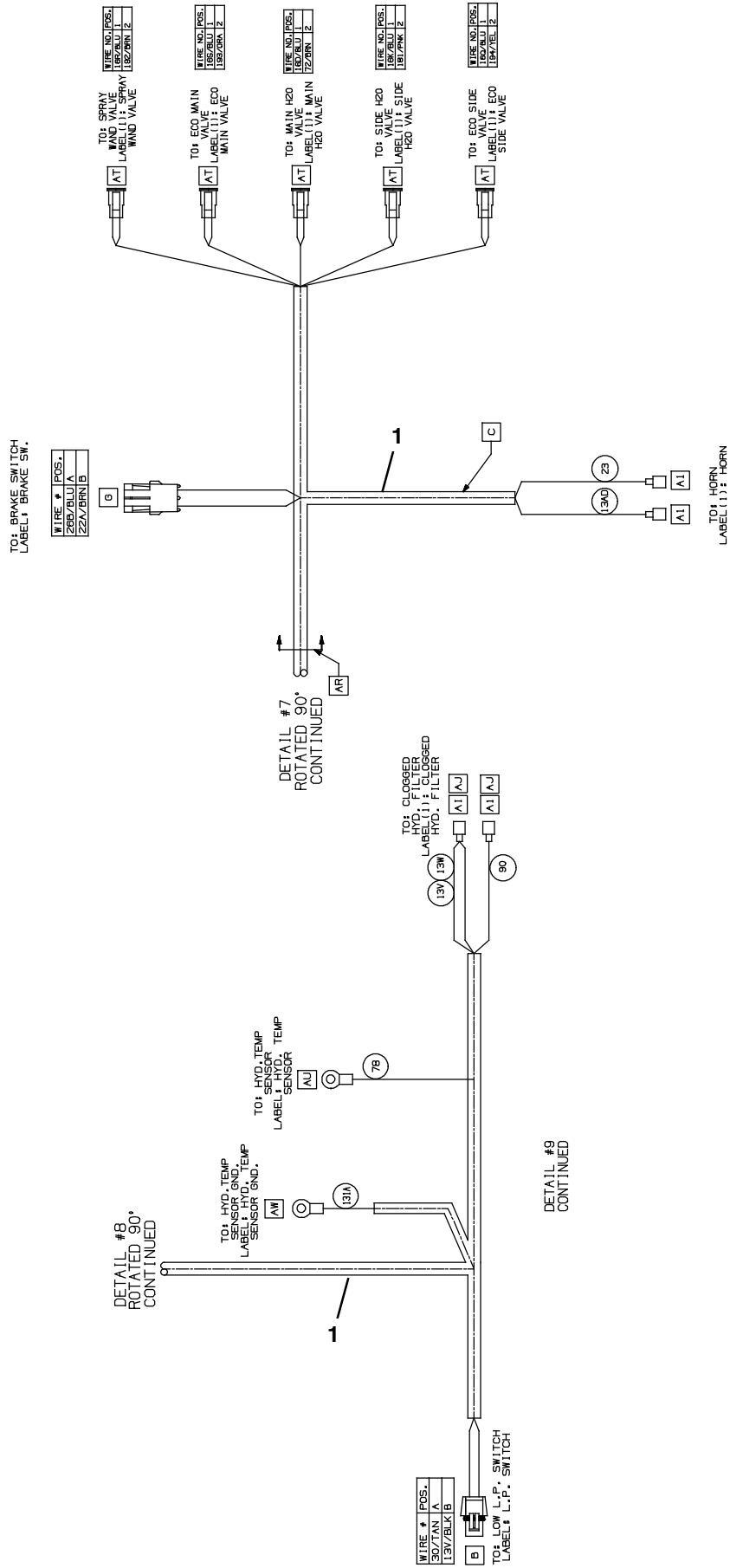
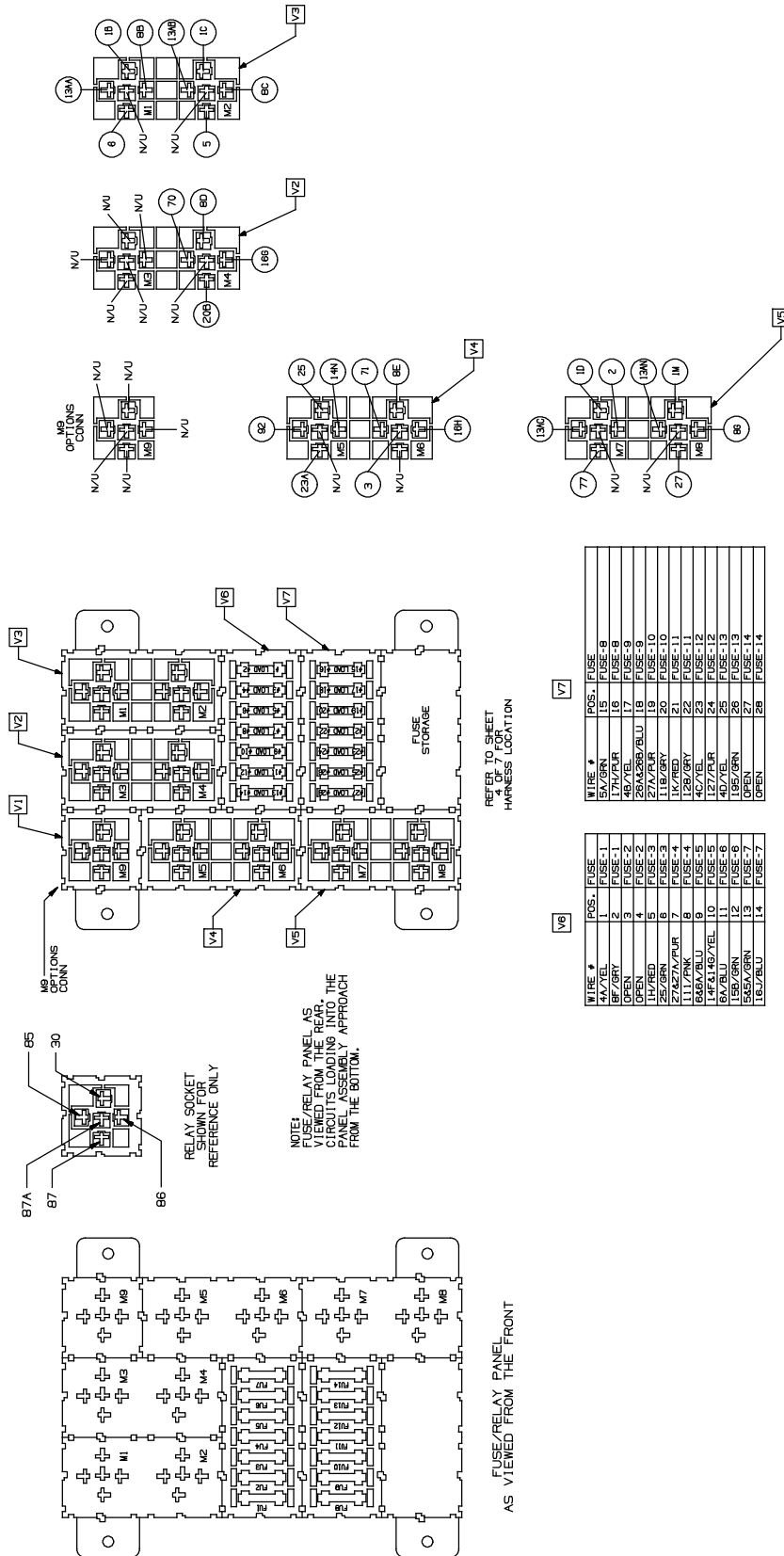




Fig. 67 - Electrical Wire Harness Group, Main (014001- )



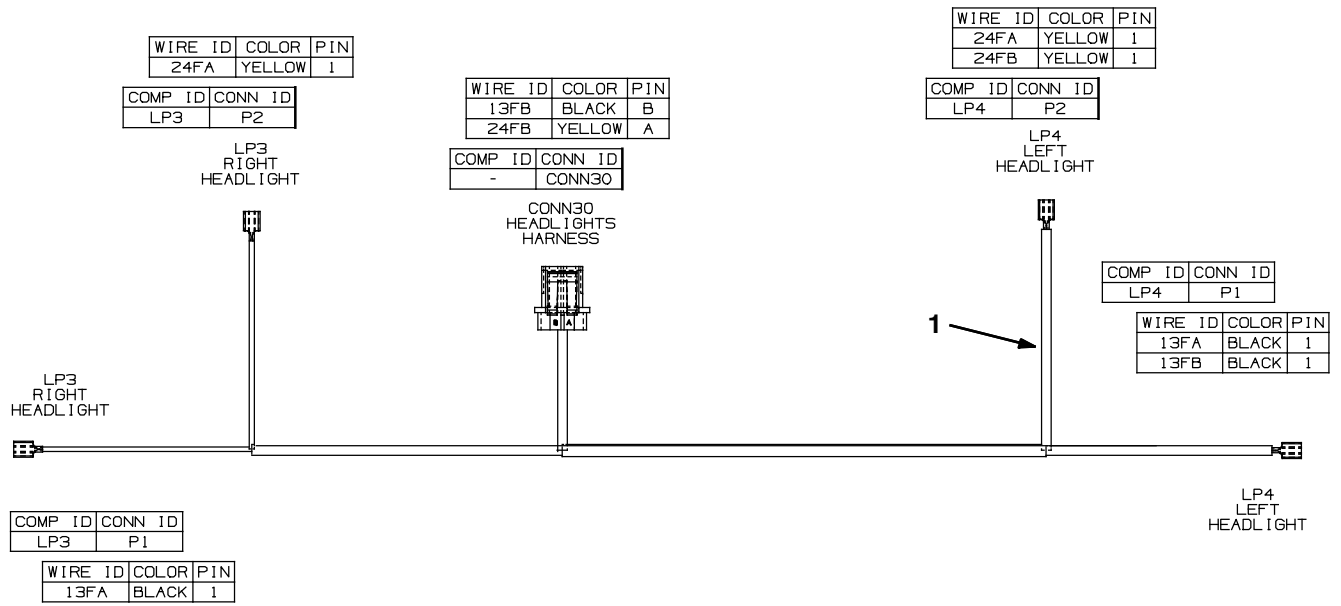
**Fig. 67 - Electrical Wire Harness Group, Main (014001- )**



357108 - M20, M30

Ref.	Part No.	Serial Number	Description	Qty.
1	1076973	(014001- )	Harness, Main [M30/M20]	1
2	222290	(014001- )	Diode, Ele, Plug	2

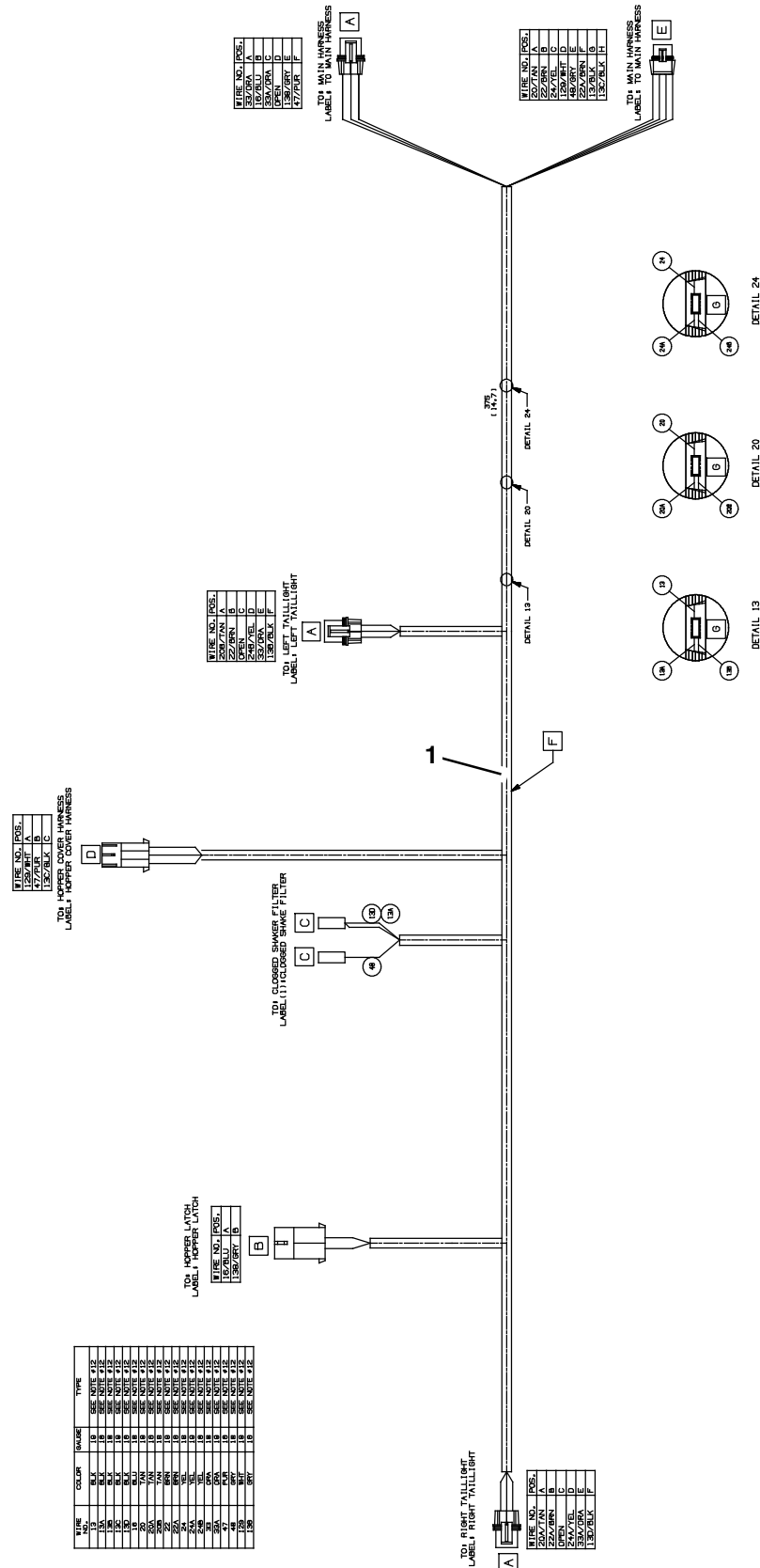
Fig. 68 - Electrical Wire Harness Group, Headlight



354716

Ref.	Part No.	Serial Number	Description	Qty.
1	1024141	(008000- )	Harness, Headlight [M20 And T20]	1

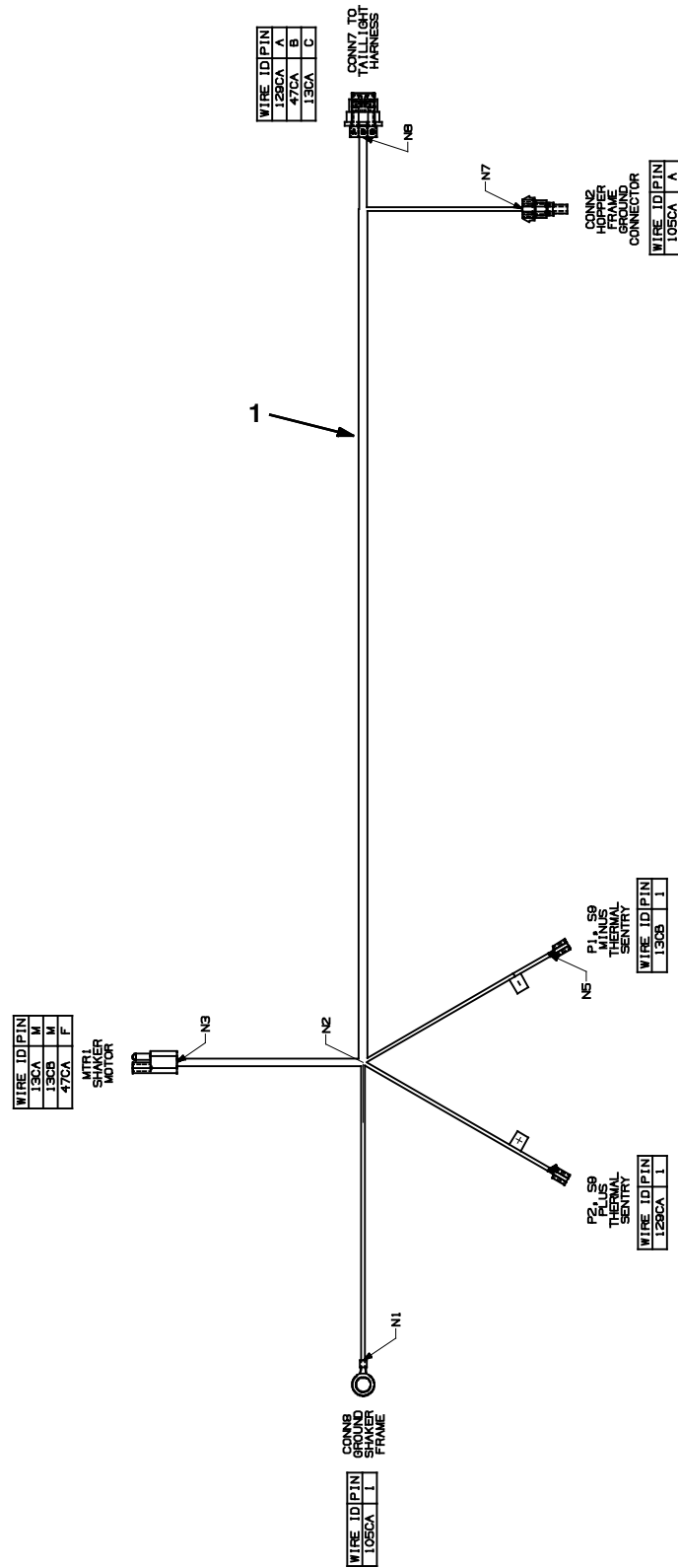
## Fig. 69 - Electrical Wire Harness Group, Hopper



356253 - M20, M30

Ref.	Part No.	Serial Number	Description	Qty.
1	1075080	(008000- )	Harness, Hppr, Ele [M20/M30]	1

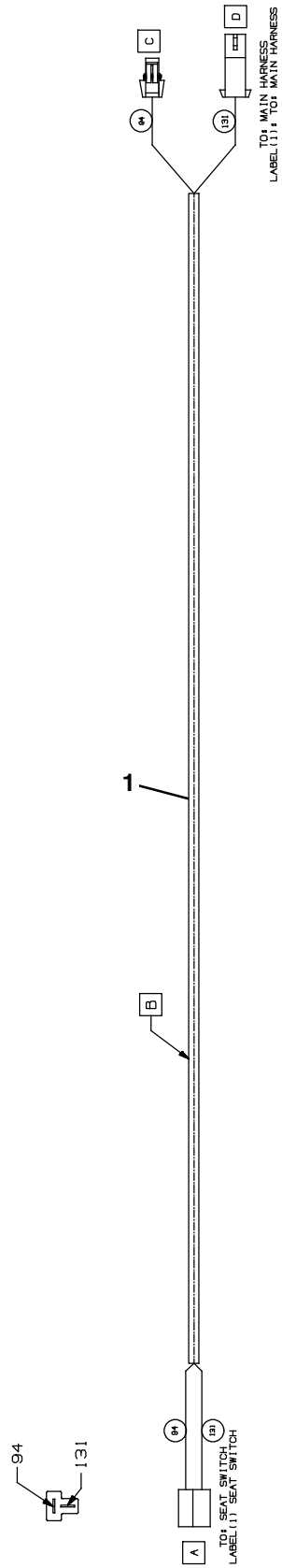
Fig. 70 - Electrical Wire Harness Group, Hopper Cover



354389- 354459

Ref.	Part No.	Serial Number	Description	Qty.
1	1064370	(008000- )	Harness, Hppr, Cover [M20]	1

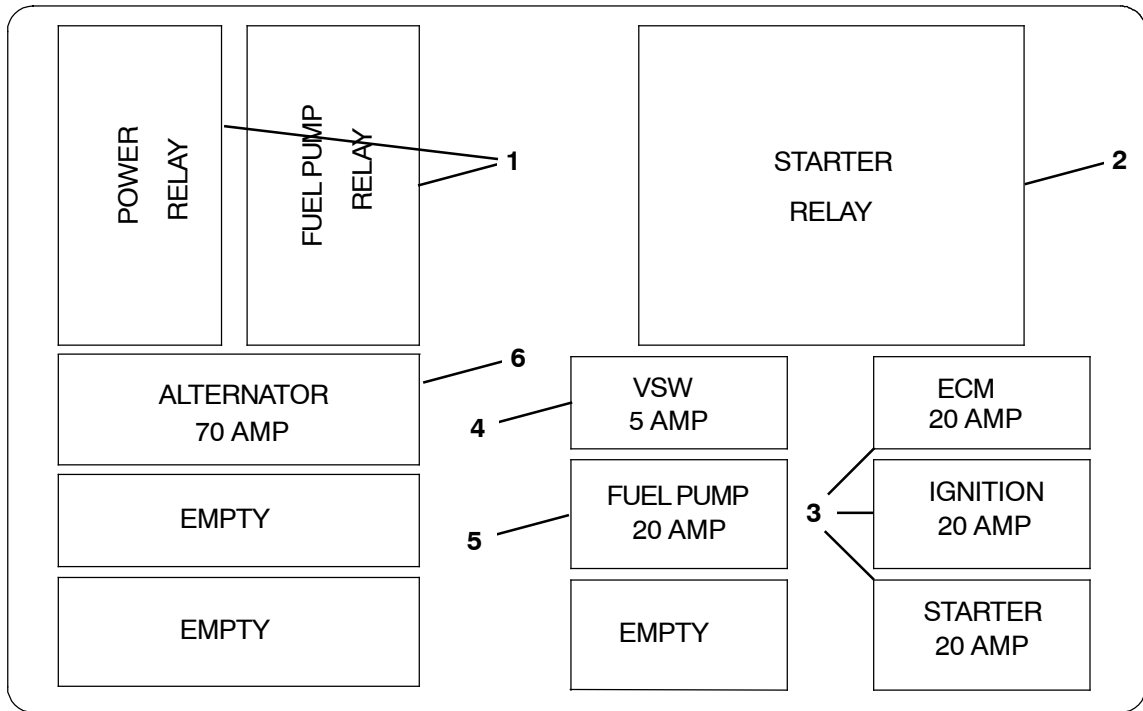
**Fig. 71 - Electrical Wire Harness Group, Seat Switch**



356994

Ref.	Part No.	Serial Number	Description	Qty.
1	1075141	(008000- )	Harness, Ele [Ce, Seat]	1

Fig. 72 - Electrical Wire Harness Group, Gasoline/LPG Engine

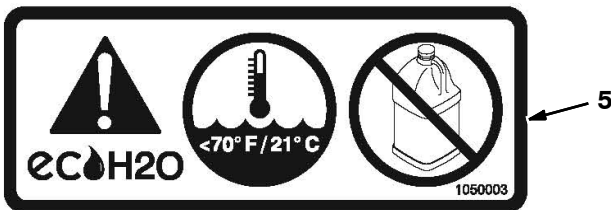


356696 - G/LP

Ref.	Part No.	Serial Number	Description	Qty.
▽	1071653	(008000-	) Harness, Wire, Eng, Gas [Mit, 2.0l]	1
▲	1 394916	(008000-	) Relay, 12vdc, 20a, Spdt	2
▲	2 57804	(008000-	) Relay, 12vdc, 40a, Spdt	1
▲	3 372237	(008000-	) Fuse, 20 Amp, [Min-20]	3
▲	4 372235	(008000-	) Fuse, 5 Amp, [Min-5]	1
▲	5 384999	(008000-	) Fuse, 10 Amp	1
▽	1071654	(008000-	) Harness, Wire, Eng, Lpg [Mit, 2.0l]	1
▲	1 394916	(008000-	) Relay, 12vdc, 20a, Spdt	2
▲	2 57804	(008000-	) Relay, 12vdc, 40a, Spdt	1
▲	3 372237	(008000-	) Fuse, 20 Amp, [Min-20]	3
▲	4 372235	(008000-	) Fuse, 5 Amp, [Min-5]	1
▲	5 384999	(008000-	) Fuse, 10 Amp	1
▲	6 1076351	(008000-	) Fuse, Blade, 070a, 32vdc [Maxi]	1

Fig. 73 - Label Group

This block contains a variety of safety labels. On the left, there is a large vertical label with a 'Not Used' graphic and text in English, French, and Spanish regarding flammable materials. Below it is another 'Not Used' label for noise. In the center and right, there are several smaller labels: a warning about the hopper falling, a warning about toxic gases from the machine, a warning about vacuum, a warning about moving parts, and a 'FOR SAFETY' label. Each label includes pictograms and text in multiple languages (English, French, Spanish).



This block contains three safety labels. The top one is a warning about burn hazards and hot surfaces, with text in English, French, and Spanish. The middle one is a warning about hot surfaces, with text in English, French, and Spanish. The bottom one is a warning about heat, with text in Japanese.

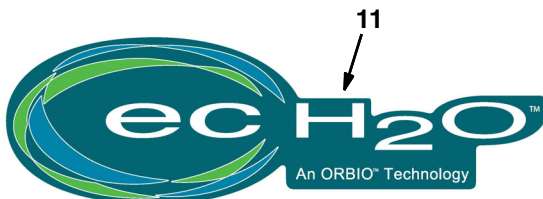
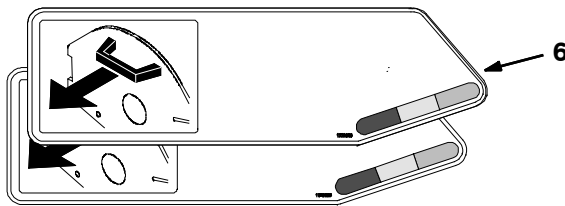
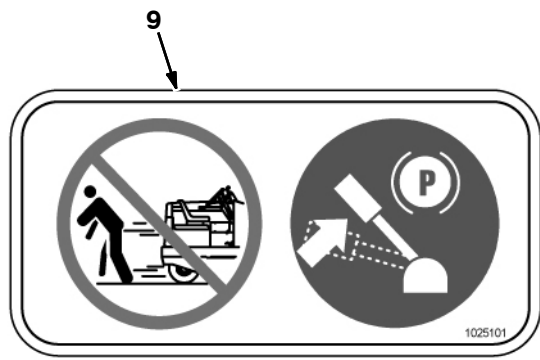
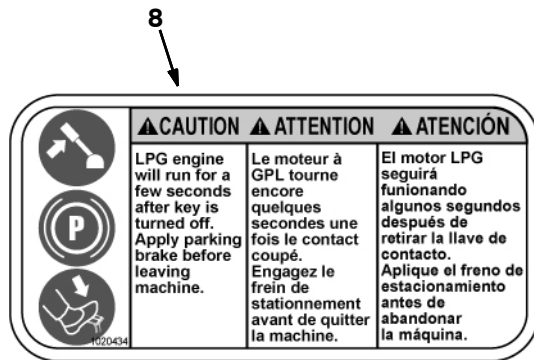
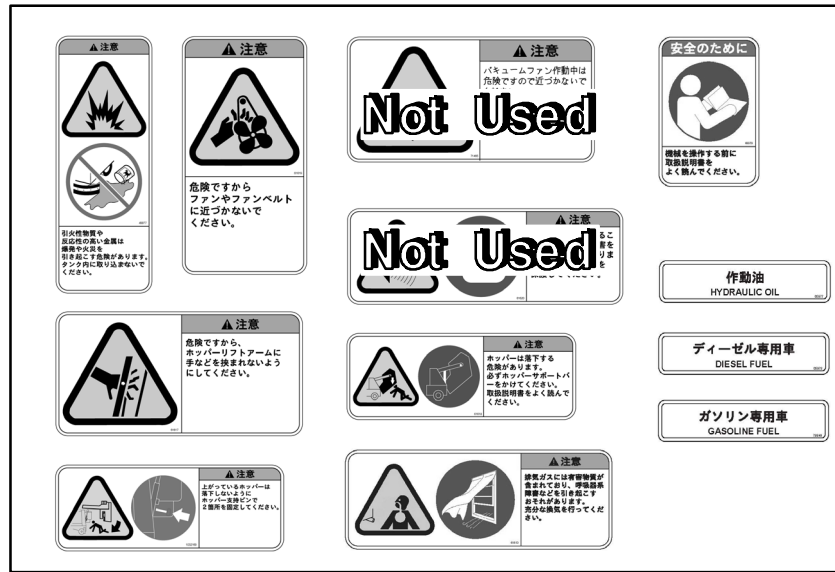




Fig. 73 - Label Group



M20, G/LP

Ref.	Part No.	Serial Number	Description	Qty.
1	77221	(008000-	) Label Set, Info/Hzrd, Swpr / Scrbr	1
2	1017141	(008000-	) Label Set, Hi Temp	1
3	1065343	(008000-	) Label, Logo, 05.75L 2Color [ES]	3
4	1065342	(008000-	) Label, Logo, 07.95L 2Color [FaST]	3
5	1050003	(008000-	) Label [User, Attention, ec- H2O]	2
6	1031017	(008000-	) Label Set, Brush Indicator & Removal	1
7	1032450	(008000-	) Label Set, Info/Hzrd, Swpr / Scrbr, Tj (Japan Only)	1
8	1020434	(008000-	) Label, Caution [Apply Parking Brake]	1
9	1025101	(008000-	) Label, Caution [Apply Parking Brake] (Japan Only)	1
10	1064662	(008000-	) Label, Model, 2Color [M20]	2
11	1062813	(008000-	) Label, Logo, 12.3L 4Color [ec- H2O]	1
12	1064440	(008000-	) Label, Logo, 16.9L 4Color [ec- H2O]	1



# SECTION 3

Contents	Page
Fig. 1 – ES Pump Group	3-2
Fig. 2 – ES Tanks Group	3-4
Fig. 3 – Side Brush Motor Group	3-6
Fig. 4 – Side Brush Lift Group	3-8
Fig. 5 – Side Brush Solution Control Group (008000– 014000)	3-10
Fig. 6 – Side Brush Solution Control Group (014001– )	3-12
Fig. 7 – Side Brush Hydraulic Valve Group	3-14
Fig. 8 – Side Brush Hydraulic Hose Group	3-16
Fig. 9 – FaST Pumps and Detergent Group	3-18
Fig. 10 – FaST Solution Supply Group	3-20
Fig. 11 – FaST Solution Supply Group with Side Brush	3-22
Fig. 12 – FaST Wire Harness Group	3-24
Fig. 13 – ec–H2O Solution Pump Group	3-26
Fig. 14 – ec–H2O Solution Pump Supply Group (008000–014000)	3-28
Fig. 15 – ec–H2O Solution Pump Supply Group (013XXX– )	3-30
Fig. 16 – ec–H2O Solution Supply Group (008000–014000)	3-32
Fig. 17 – ec–H2O Solution Supply Group (014001– )	3-34
Fig. 18 – ec–H2O Solution Supply Group with Side Brush (008000–014000)	3-36
Fig. 19 – ec–H2O Solution Supply Group with Side Brush (014001– )	3-38
Fig. 20 – ec–H2O Wire Harnesses Group	3-40
Fig. 21 – Backup Alarm Kit	3-45
Fig. 22 – Light Kit, Flashing	3-46
Fig. 23 – Light Kit, Strobe	3-47
Fig. 24 – Light Kit, Flashing Overhead Guard	3-48
Fig. 25 – Light Kit, Strobe Overhead Guard	3-49
Fig. 26 – Overhead Guard Kit	3-50
Fig. 27 – Telemetry Group	3-52
Fig. 28 – Vacuum Wand Kit	3-54
Fig. 29 – Spray Nozzle Kit (008000–014000)	3-56
Fig. 30 – Spray Nozzle Group (014001– )	3-58
Fig. 31 – Transport Kit	3-60
Fig. 32 – Squeegee Guard Kit	3-62
Fig. 33 – Pressure Washer Mount Group	3-64
Fig. 34 – Pressure Washer Solution Group (008000–014000)	3-66
Fig. 35 – Pressure Washer Solution Group (014001– )	3-68
Fig. 36 – Pressure Washer Hydraulic Hoses Group	3-70
Fig. 37 – Wet Dust Control Hopper Cover Group (010900– )	3-72
Fig. 38 – Fire Extinguisher Kit	3-74
Fig. 39 – Frame Tie Down and Tow Group	3-75
Fig. 40 – Rear Squeegee Guard Group	3-76

Contents	Page
Fig. 41 – Front Cover Latch Group	3-78
Fig. 42 – Detergent Metering Group (014001– )	3-80
Fig. 43 – Spotlight Kit, Blue	3-82
Fig. 44 – Documentation Group (Online Only)	3-84

Fig. 1 - ES Pump Group

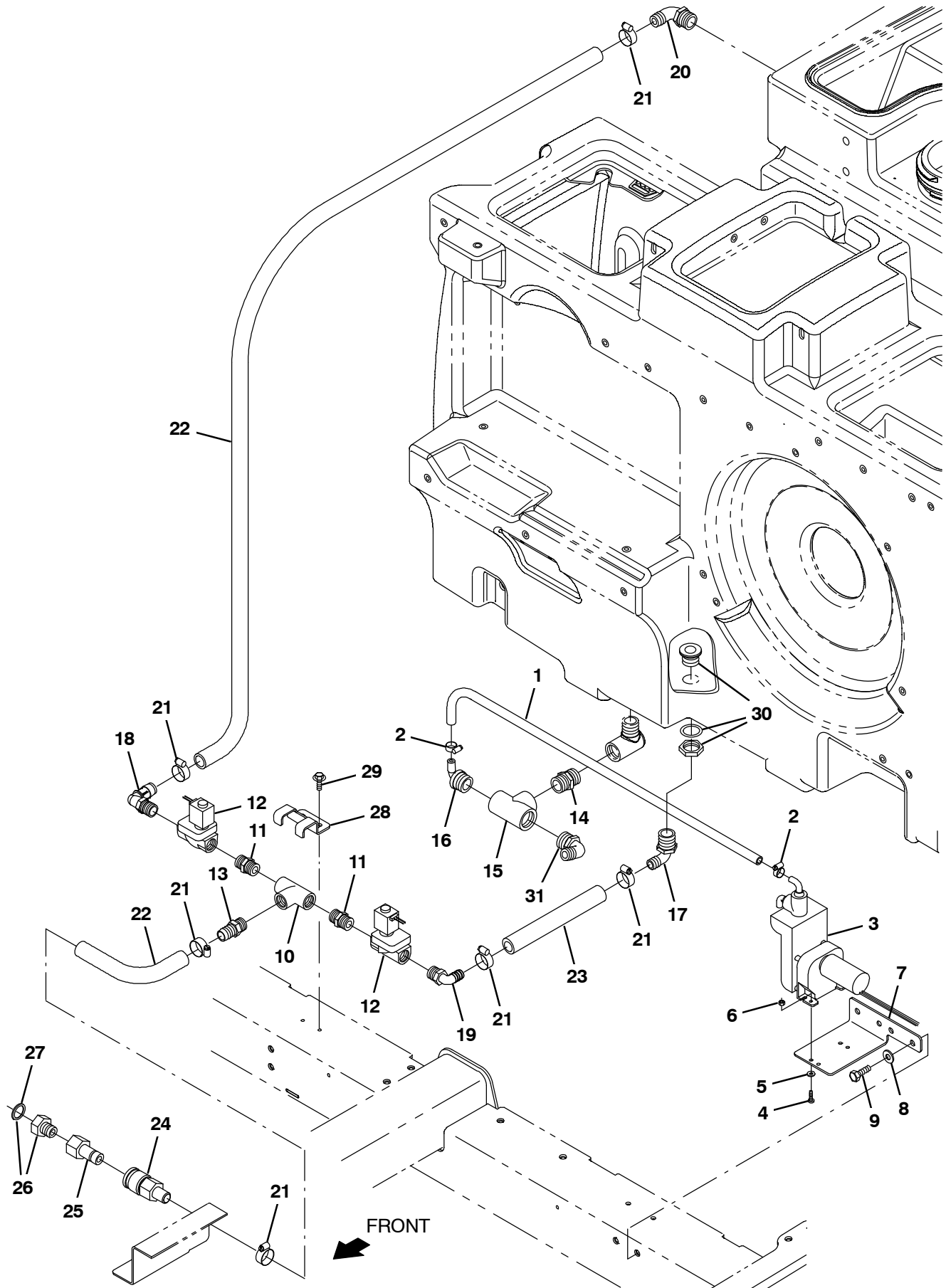


Fig. 1 – ES Pump Group

Ref.	Part No.	Serial Number	Description	Qty.	
1	41295	(008000–	) Hose, Pvc, Clr, 0.38id 0.56od 48.00l	1	
2	43844	(008000–	) Clamp, Hose, Wormdrive, 0.25–0.62d, .31w	2	
3	73260	(008000–	) Pump, Detgt, 14vdc, 150ml/Min 20psi (See Breakdowns)	1	
4	24265	(008000–	) Screw, Pan, M4 X 0.7 X 16, Ss	2	
5	01683	(008000–	) Washer, Flat, #10, Ss	2	
6	33932	(008000–	) Nut, Hex, Lock, M4 X 0.7, NI, Ss	2	
7	1021325	(008000–	) Bracket, Mtg, Valve	1	
8	01685	(008000–	) Washer, Flat, 0.31, Ss	2	
9	09740	(008000–	) Screw, Hex, M8 X 1.25 X 20, Ss	2	
10	79497	(008000–	) Fitting, Plstc, Tee, Pf08/Pf08/Pf08	1	
11	86508	(008000–	) Fitting, Plstc, Str, Pm08/Pm08	2	
12	73433	(008000–	) Valve, Water, Solenoid, 12vdc 0.08pf	2	
13	78398	(008000–	) Fitting, Plstc, Str, Bm12/Pm08, Nyl	1	
14	24544	(008000–	) Fitting, Plstc, Str, Pm12/Pm12 1.60l	1	
15	42133A	(008000–	) Fitting, Plstc, Tee, Pf12/Pf12/Pf12	1	
16	79484	(008000–	) Fitting, Plstc, E90, Bm06/Pm12, Nyl	1	
17	73468	(008000–	) Fitting, Plstc, E90, Bm10/Pm12	1	
18	63244–2	(008000–	) Fitting, Plstc, E90, Bm12/Pm08	1	
19	630371	(008000–	) Fitting, Plstc, E90, Bm10/Pm08	1	
20	14877	(008000–	) Fitting, Plstc, E90, Bm12/Pm12	1	
21	63810	(008000–	) Clamp, Hose, Wormdrive, 0.56–1.06d, .56w	6	
22	1015045	(008000–	) Hose, Afmkt, Pvc, Brd 0.75id 08ft	1	
23	369811	(008000–	) Hose, Pvc, Brd, 0.62id 0.88od 09.00l	1	
24	24105	(008000–	) Fitting, Brs, Qdc, Bm12/Qf08	1	
25	33295	(008000–	) Fitting, Brs, Qdc, Pf08 [Parker Bh3f]	1	
▽	26	375322	(008000–	) Fitting Kit, Hose, Garden	1
▲	27	01316	(008000–	) Washer, Flat, 0.66b 1.00d .12, Rbr	1
	28	1016837	(008000–	) Bracket, Mtg, Valve	1
	29	361339	(008000–	) Screw, Hex, M6 X 1.0 X 16, Fmg	2
	30	377349	(008000–	) Fitting, Plstc, Pf12/Pf12, Bh	1
	31	73468	(008000–	) Fitting, Plstc, E90, Bm10/Pm12	1

**Fig. 2 - ES Tanks Group**

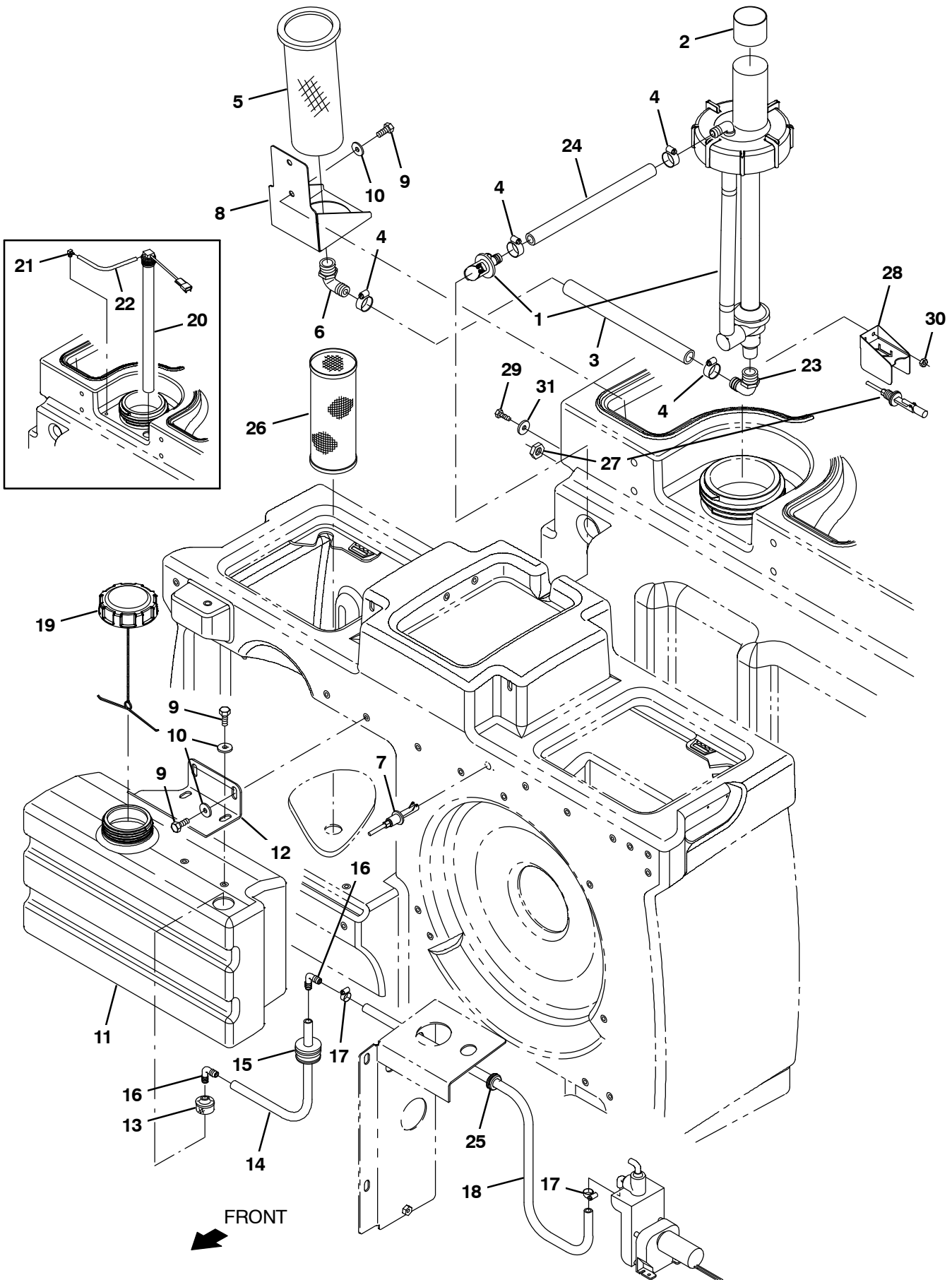


Fig. 2 – ES Tanks Group

Ref.	Part No.	Serial Number	Description	Qty.
1	1021210	(008000–	) Pump Assy, Column, Es (See Breakdowns)	1
2	1028697	(008000–	) Sleeve, Rbr, 3.50b 3.58d 1.8l	1
3	1015048	(008000–	) Hose, Afmkt, Pvc, Brd 0.75id 01ft	1
4	63810	(008000–	) Clamp, Hose, Wormdrive, 0.56–1.06d, .56w	4
5	386652	(008000–	) Strainer, Soltn, 20 Mesh, Cyl 3.5d 9.5l	1
6	24543	(008000–	) Fitting, Plstc, E90, Bm12/Pf12	1
7	385685	(008000–	) Sensor, Level, Liq, 14vdc 01a .62–11	1
8	1019636	(008000–	) Bracket, Mtg, Strainer	1
9	09740	(008000–	) Screw, Hex, M8 X 1.25 X 20, Ss	6
10	1017218	(008000–	) Washer, Flat, 0.32b 1.00d .12, Ss	6
11	1022229	(008000–	) Tank, Detgt, Trimmed	1
12	1025159	(008000–	) Bracket, Mtg, Detgt And Spray Wand	1
13	20952	(008000–	) Screen, Pump	1
14	1014974	(008000–	) Hose, Afmkt, Pvc, Brd 0.38id 02ft	1
15	20944	(008000–	) Grommet, Pye, 0.37id, F/1.5h, .13 Matl	1
16	20951	(008000–	) Fitting, Plstc, E90, Bm06/Bm06	2
17	43844	(008000–	) Clamp, Hose, Wormdrive, 0.25–0.62d, .31w	2
18	41295	(008000–	) Hose, Pvc, Clr, 0.38id 0.56od 48.00l	1
19	1011885	(008000–	) Cap, Tank	1
20	1072877	(008000–012038	) Switch Assy, Press, 3.0, 17.5l Tube	1
21	32183	(008000–012038	) Fitting, Brs, E90, Pm02/Bm03	1
22	1031572	(008000–012038	) Hose, Afmkt, Vacuum, 0.16id, 01ft	1
23	14877	(008000–	) Fitting, Plstc, E90, Bm12/Pm12	1
24	1015033	(008000–	) Hose, Afmkt, Pvc, Brd 0.62ld, 01Ft, Clr	1
25	10632–2	(008000–	) Grommet, Rbr, 0.62id, F/0.9h, .12 Matl	1
26	1039019	(008000–	) Filter, Soltn, 020mesh, Pm12 3.2d 08.0l	1
27	385685	(012039–	) Sensor, Level, Liq, 14vdc 01a .62–11	1
28	1037816	(012039–	) Bracket, Protector, Float Switch	1
29	09007	(012039–	) Screw, Hex, M6 X 1.00 X 25, Ss	2
30	08712	(012039–	) Nut, Hex, Lock, M6 X 1.00, NI, Ss	2
31	76426	(012039–	) Washer, Sealing, 0.28b 0.75d Ss, Neo	2

Fig. 3 – Side Brush Motor Group

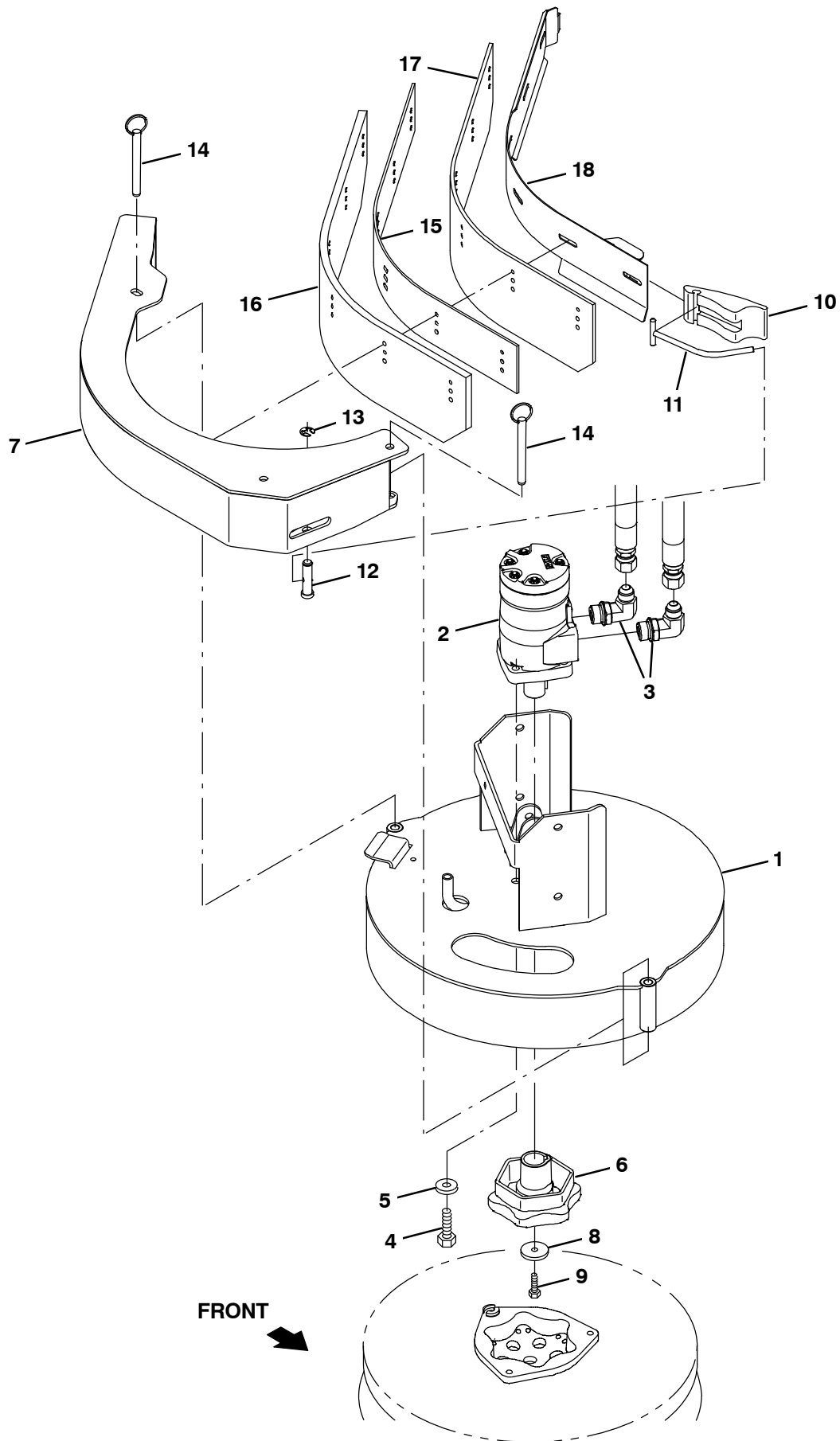




Fig. 3 – Side Brush Motor Group

Ref.	Part No.	Serial Number	Description	Qty.
	1	1047002	(008000– ) Bracket Wldt, Mtg, Side Brush Fixed	1
▽	2	1068812	(008000– ) Motor, Hyd, Gear, Int 08.9 Bi-Dir 2500	1
▲		22615	(008000– ) Seal Kit, Motor [CI]	1
	3	56821	(008000– ) Fitting, Hyd, E90, Jm08/Om10	2
	4	01762	(008000– ) Screw, Hex, .38–16 X 0.75, NI	4
	5	32492	(008000– ) Washer, Flat, 0.38 Std	4
	6	1042968	(008000– ) Hub, Drive, Brush, Disk, 1.00b [6t]	1
	7	1046976	(008000– ) Bumper Wldt, Brush, Side	1
	8	19191	(008000– ) Spacer	1
	9	25046	(008000– ) Screw, Hex, .25–20 X 1.00, 5	1
	10	1222020	(008000– ) Cam, Front, Yel	1
	11	386298	(008000– ) Pin Wldt, Front	1
	12	21603	(008000– ) Pin, Grvd, 0.43d 01.8l [303ss]	1
	13	24555	(008000– ) Ring, Retaining, Ext, 0.38d, [E-Ring]	1
	14	369359	(008000– ) Pin, Hitch, .375d X 3.12l, PI	2
	15	1046995	(008000– ) Spacer, Sqge, Side Brush	1
	16	1046980	(008000– ) Blade, Sqge, Side Brush, Linatex	1
	16	1059091	(008000– ) Blade, Sqge, Side Brush, Urethane	1
	17	1047238	(008000– ) Blade, Sqge, Side Brush, Linatex	1
	17	1059092	(008000– ) Blade, Sqge, Side Brush, Urethane	1
	18	1047060	(008000– ) Plate Wldt, Retainer, Sqge	1

**Fig. 4 - Side Brush Lift Group**

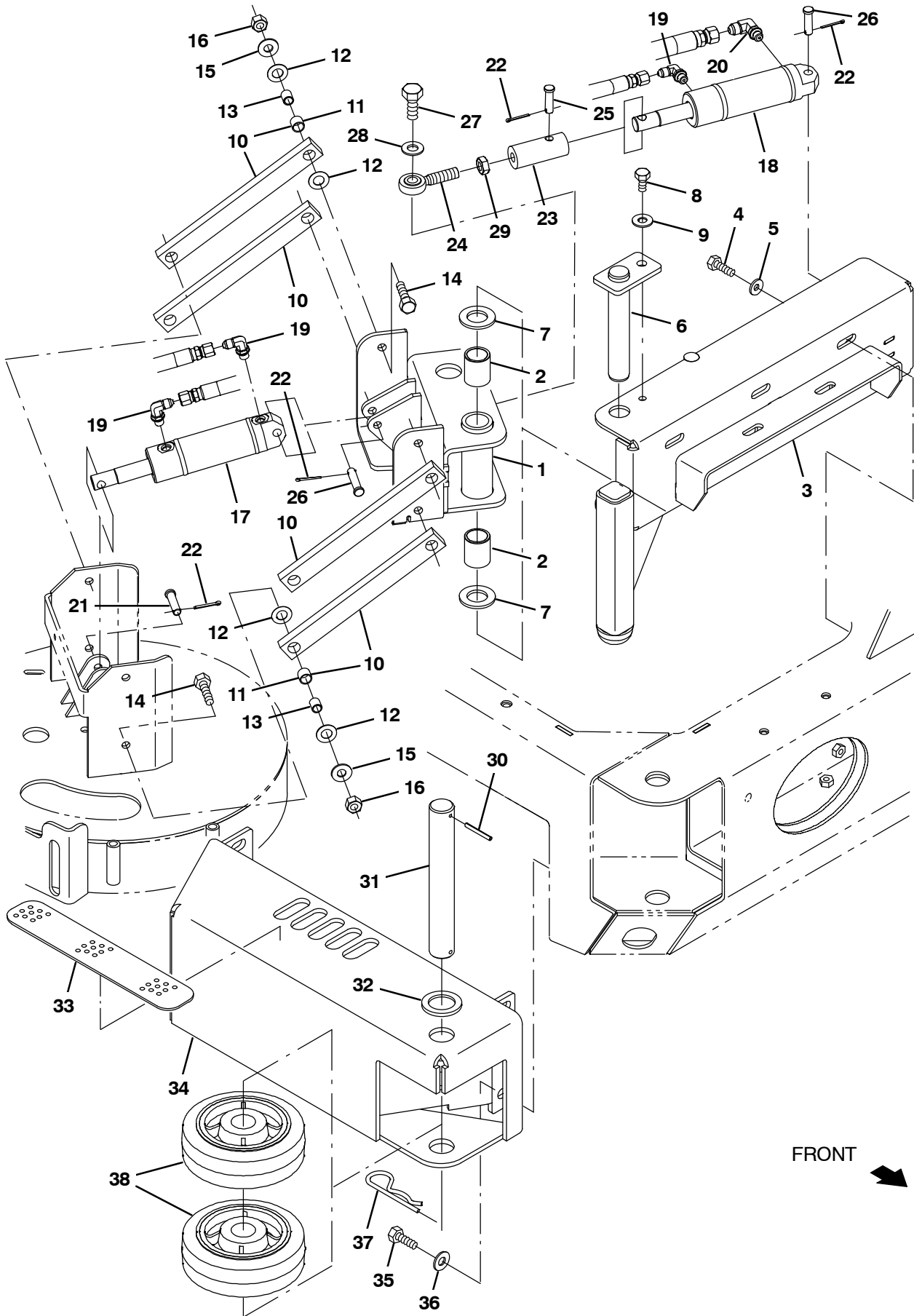
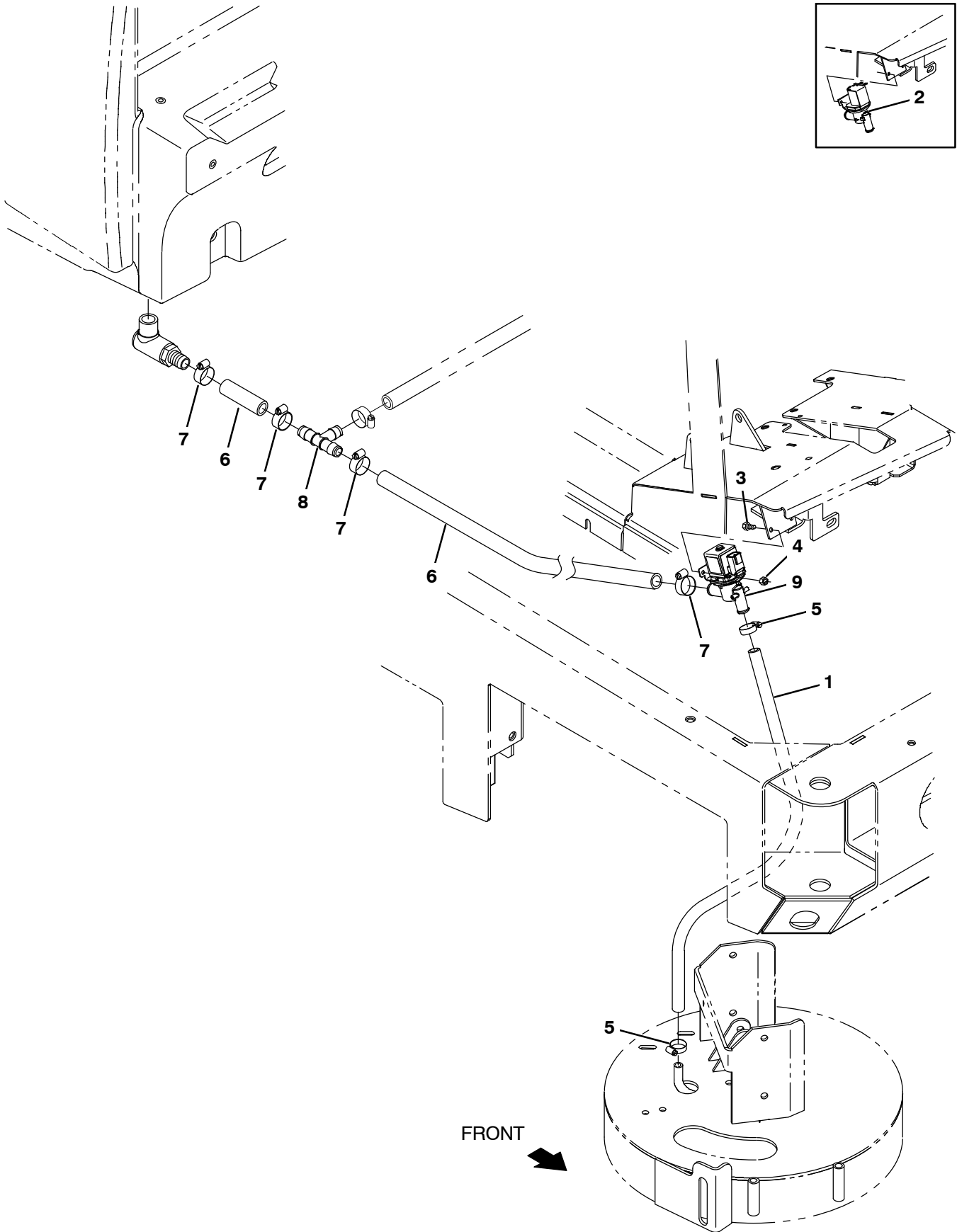


Fig. 4 – Side Brush Lift Group

Ref.	Part No.	Serial Number	Description	Qty.
1	1021439	(008000–	) Pivot Wldt, Brush, Side	1
2	71868	(008000–	) Bushing, Sleeve, 1.00b 1.13d 1.50l, Fgl	2
3	1021473	(008000–	) Channel Wldt, Pivot	1
4	09010	(008000–	) Screw, Hex, M8 X 1.25 X 25, Ss	5
5	41186	(008000–	) Washer, Flat, Belleville, .31	5
6	1021617	(008000–	) Pin Wldt	1
7	71869	(008000–	) Washer, Thrust, 1.00b 1.75d 0.13w, Fbr	2
8	16735	(008000–	) Screw, Hex, M8 X 1.25 X 16, 8.8	1
9	32491	(008000–	) Washer, Flat, 0.31, Std	1
▽	10	63175–1	(008000–) Arm, Link	4
▲	11	63233	(008000–) Bushing, Sleeve, 0.50b 0.59d 0.50l, Bnz	2
	12	59633	(008000–) Bearing, Thrust, 0.53b 1.00d 0.03w	16
	13	1027926	(008000–) Sleeve, P/M, 0.37b 0.50d 0.6l [430ss]	8
	14	36845	(008000–) Screw, Hex, .38–16 X 1.50, Ss	8
	15	01685	(008000–) Washer, Flat, 0.31, Ss	8
	16	59156	(008000–) Nut, Hex, Lock, .38–16, Ni, Ss	8
	17	1038137	(008000–) Cylinder, Hyd, 1.5b 07.8l 02.80strk 2500	1
	18	1038115	(008000–) Cylinder, Hyd, 1.5b 07.8l 02.75strk 2500	1
	19	77097	(008000–) Fitting, Hyd, E90, Jm04/Om04	3
	20	77098	(008000–) Fitting, Hyd, E90, Jm06/Om04	1
	21	29558	(008000–) Pin, Clevis, 0.37d X 1.50l	1
	22	08179	(008000–) Pin, Cotter, .094 X 1.00	4
	23	1021564	(008000–) Adapter, Rod–End, Side Brush	1
	24	71874	(008000–) Rod–End, .50–20rh Mal 0.50b	1
	25	29557	(008000–) Pin, Clevis, 0.37d X 1.31l	1
	26	17461	(008000–) Pin, Clevis, 0.37d X 1.75l	2
	27	41346	(008000–) Screw, Hex, M12 X 1.75 X 30, 8.8	1
	28	32486	(008000–) Washer, Flat, 0.50 Sae	1
	29	48985	(008000–) Nut, Hex, Jam, .50–20	1
	30	23146	(008000–) Pin, Roll, .187d X 1.62l, .187/.192	1
	31	1053838	(008000–) Pin, 30mmd X 215mml	1
	32	47719	(008000–) Washer, Flat, 1.26b 1.88d .13, Stl	1
	33	82839	(008000–) Tread, Non–Skid, 02.2w 11.5l	1
	34	1022318	(008000–) Guard Wldt, Brush, Side	1
	35	12317	(008000–) Screw, Hex, M10 X 1.5 X 30, Ss	4
	36	01686	(008000–) Washer, Flat, 0.44b 1.00d .08, Ss	4
	37	34411	(008000–) Pin, Cotter, Hair, 1.00d .178 Wir	1
	38	1060130	(008000–) Wheel, 06.0D 2.00W 1.19B, Gray Rbr	2

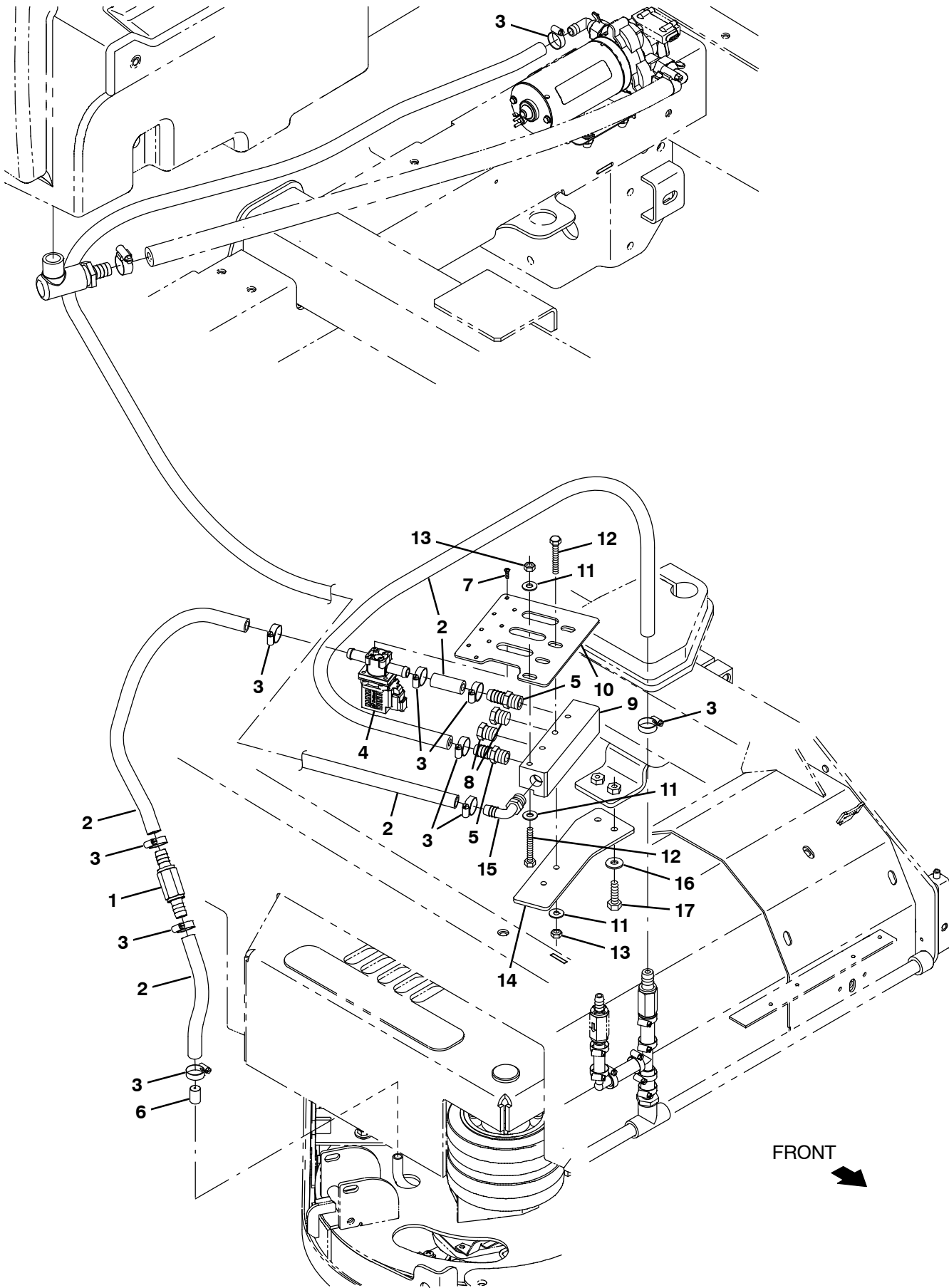
Fig. 5 – Side Brush Solution Control Group (008000– 014000)



**Fig. 5 - Side Brush Solution Control Group (008000-014000)**

<b>Ref.</b>	<b>Part No.</b>	<b>Serial Number</b>	<b>Description</b>	<b>Qty.</b>
1	50178	(008000-014000 )	Hose, Pvc, Clr, 0.50id 0.69od 26.00l	1
2	9016494	(008000-010490 )	Valve Kit, Replacement 12v St Flow	1
3	09738	(008000-014000 )	Screw, Hex, M5 X 0.8 X 12, Ss	2
4	09739	(008000-014000 )	Nut, Hex, Lock, M5 X 0.8, NI, Ss	2
5	54333	(008000-014000 )	Clamp, Hose, Wormdrive, 0.31-0.88d, .31w	2
6	1015032	(008000-014000 )	Hose, Afrmkt, Pvc, Brd 0.62id 08ft	1
7	63810	(008000-014000 )	Clamp, Hose, Wormdrive, 0.56-1.06d, .56w	4
8	1062116	(008000-014000 )	Fitting, Plstc, Tee, Bm10/Bm10/Bm10, Nyl	1
9	1075241	(010491-014000 )	Valve Assy, Water, Solenoid, 12vdc	1

**Fig. 6 – Side Brush Solution Control Group (014001- )**



**Fig. 5 - Side Brush Solution Control Group (014001- )**

<b>Ref.</b>	<b>Part No.</b>	<b>Serial Number</b>	<b>Description</b>	<b>Qty.</b>
1	1251530	(014001-	) Valve, Check, 1.0psi, Bm08/Bm08	1
2	1011412	(014001-	) Hose, Afmkt, Pvc, Brd, 0.50id, 08ft, Clr	1
3	54333	(014001-	) Clamp, Hose, Wormdrive, 0.31-0.88d, .31w	6
4	1076870	(014001-	) Valve, Water, Solenoid [12vdc, Bm08/Bm08	1
5	64743	(014001-	) Fitting, Plstc, Str, Bm08/Pm06	2
6	1256639	(014001-	) Fitting, Plastic, Rst, 3.00mm	1
7	1257563	(014001-	) Screw, Pan, Torx, 06- 19 X 0.38, F/ Plstc	2
8	630146	(014001-	) Fitting, Plug, Pm06, Hdpe	2
9	1254833	(014001-	) Manifold, Soln	1
10	1254856	(014001-	) Plate, Manifold, Mtg	1
11	32490	(014001-	) Washer, Flat, 0.25, Std	1
12	1257800	(014001-	) Screw, Hex, M6 X 1.00 X 60, Ss, Fl	4
13	08712	(014001-	) Nut, Hex, Lock, M6 X 1.00, NI, Ss	1
14	1077124	(014001-	) Bracket, Manifold, Stratus	1
15	64778	(014001-	) Fitting, Plstc, E90, Bm08/Pm06	1
16	32491	(014001-	) Washer, Flat, 0.31, Std	2
17	39277	(014001-	) Screw, Hex, M8 X 1.25 X 25, 8.8	2

Fig. 7 – Side Brush Hydraulic Valve Group

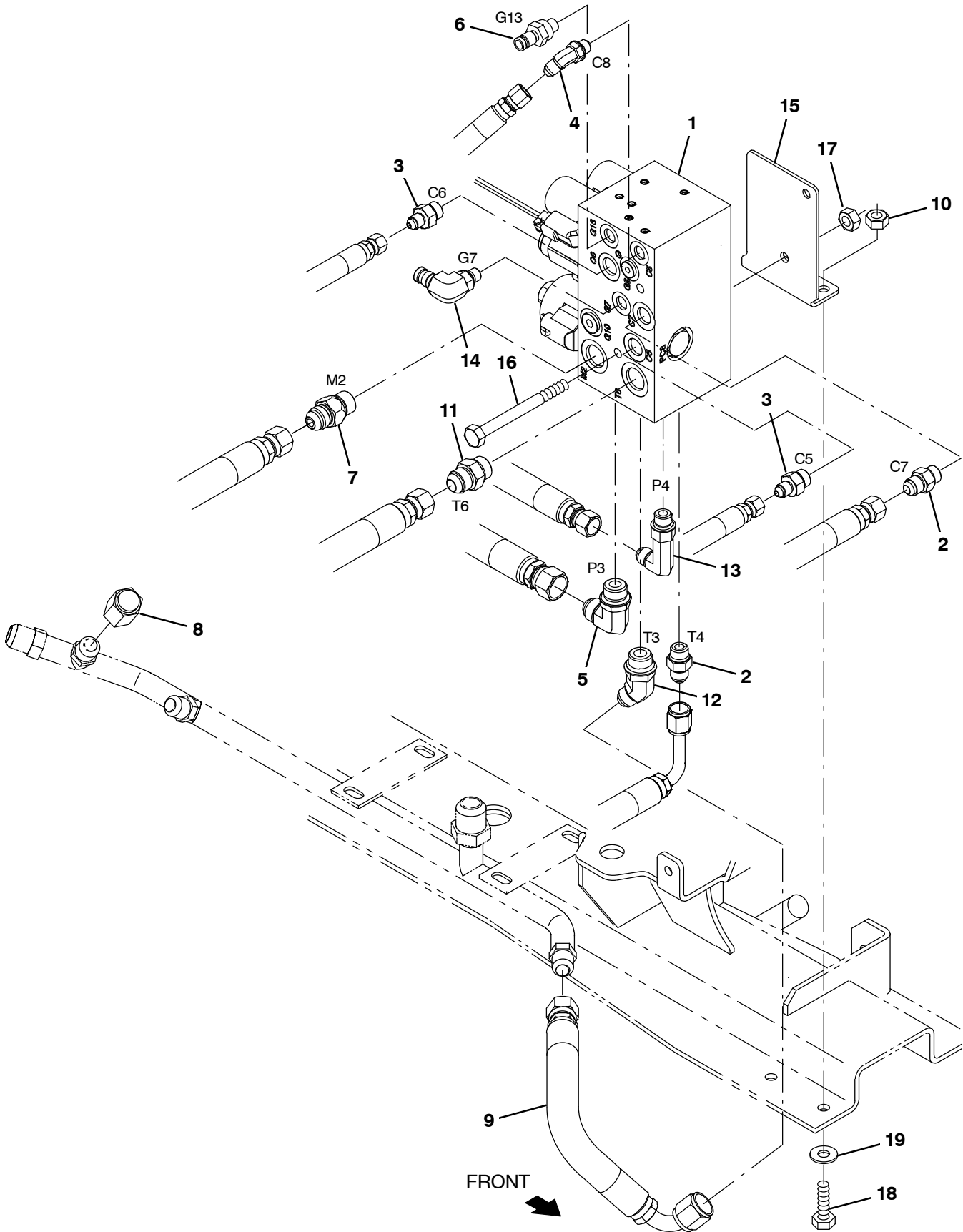
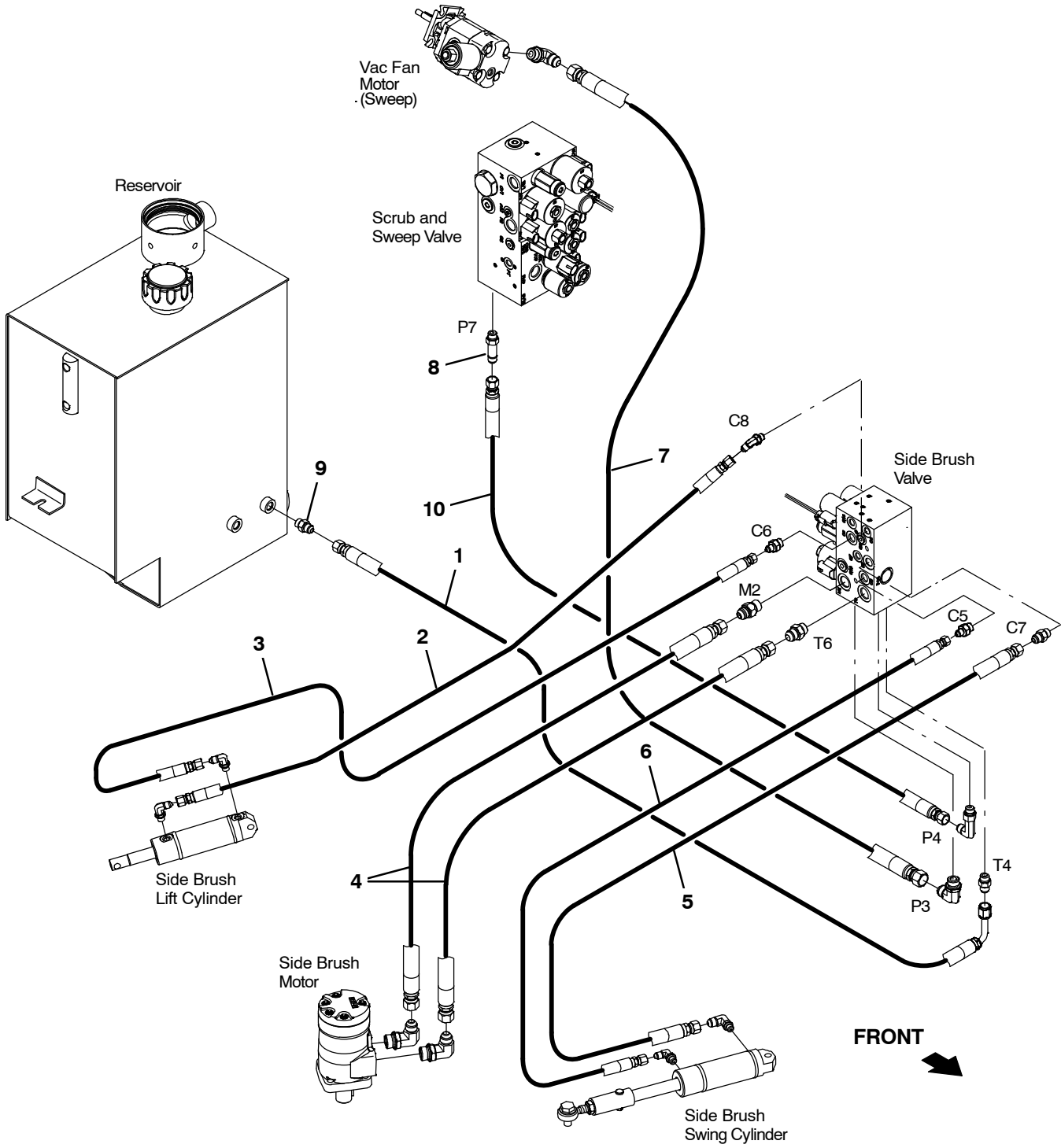




Fig. 7 – Side Brush Hydraulic Valve Group

Ref.	Part No.	Serial Number	Description	Qty.
1	1072997	(008000-	) Valve, Cntrl, Hyd, Solenoid, 03/16gpm (See Breakdowns)	1
2	56690	(008000-	) Fitting, Hyd, Str, Jm06/Om06	2
3	55685	(008000-	) Fitting, Hyd, Str, Jm04/Om06	2
4	34359	(008000-	) Fitting, Hyd, E45, Jm04/Om04	1
5	44868	(008000-	) Fitting, Hyd, E90, Jm08/Om08	1
6	395973	(008000-	) Fitting, Hyd, Str, Om04/Qm04	1
7	1026119	(008000-	) Valve, Hyd, Check, Jm08/Om08 5000psi	1
8	60090	(008000-	) Fitting, Hyd, Cap, Jf08	1
9	1037011	(008000-	) Hose, Hyd, Tc08, Jf08str/Jf08e90, 012.0	1
10	08713	(008000-	) Nut, Hex, Lock, M8 X 1.25, NI, Ss	2
11	44869	(008000-	) Fitting, Hyd, Str, Jm08/Om08	1
12	42226	(008000-	) Fitting, Hyd, E45, Jm08/Om08	1
13	71727	(008000-	) Fitting, Hyd, E90, Jf06/Jm06, Long	1
14	395974	(008000-	) Fitting, Hyd, E90, Om04/Qm04	1
15	1045272	(008000-	) Bracket, Valve, Sba [M20 And T20]	1
16	364441	(008000-	) Screw, Hex, M8 X 1.25 X 110, Ss	2
17	08709	(008000-	) Nut, Hex, Lock, M8 X 1.25, NI	2
18	09010	(008000-	) Screw, Hex, M8 X 1.25 X 25, Ss	2
19	32491	(008000-	) Washer, Flat, 0.31, Std	2

Fig. 8 – Side Brush Hydraulic Hose Group



**Fig. 8 – Side Brush Hydraulic Hose Group**

<b>Ref.</b>	<b>Part No.</b>	<b>Serial Number</b>	<b>Description</b>	<b>Qty.</b>
1	361047	(008000–	) Hose, Hyd, Med06, Jf06e90l/Jf06str,038.0	1
2	1023485	(008000–	) Hose, Hyd, Tc06, Jf04str/Jf04str, 033.0	1
3	1025990	(008000–	) Hose, Hyd, Tc04, Jf04str /Jf04str, 39.0	1
4	1036965	(008000–	) Hose, Hyd, Tc08, Jf08str/Jf08str, 034.0	2
5	1025991	(008000–	) Hose, Hyd, Tc06, Jf06str /Jf06str, 23.0	1
6	1025992	(008000–	) Hose, Hyd, Tc04, Jf04str /Jf04str, 20.0	1
7	1036946	(008000–	) Hose, Hyd, Tc08, Jf08str/Jf08str, 084.0	1
8	59577	(008000–	) Fitting, Hyd, Str, Jm06/Om06, Long	1
9	56690	(008000–	) Fitting, Hyd, Str, Jm06/Om06	1
10	1041389	(008000–	) Hose, Hyd, Tc06, Jf06str/Jf06str, 086.0	1

**Fig. 9 - FaST Pumps and Detergent Group**

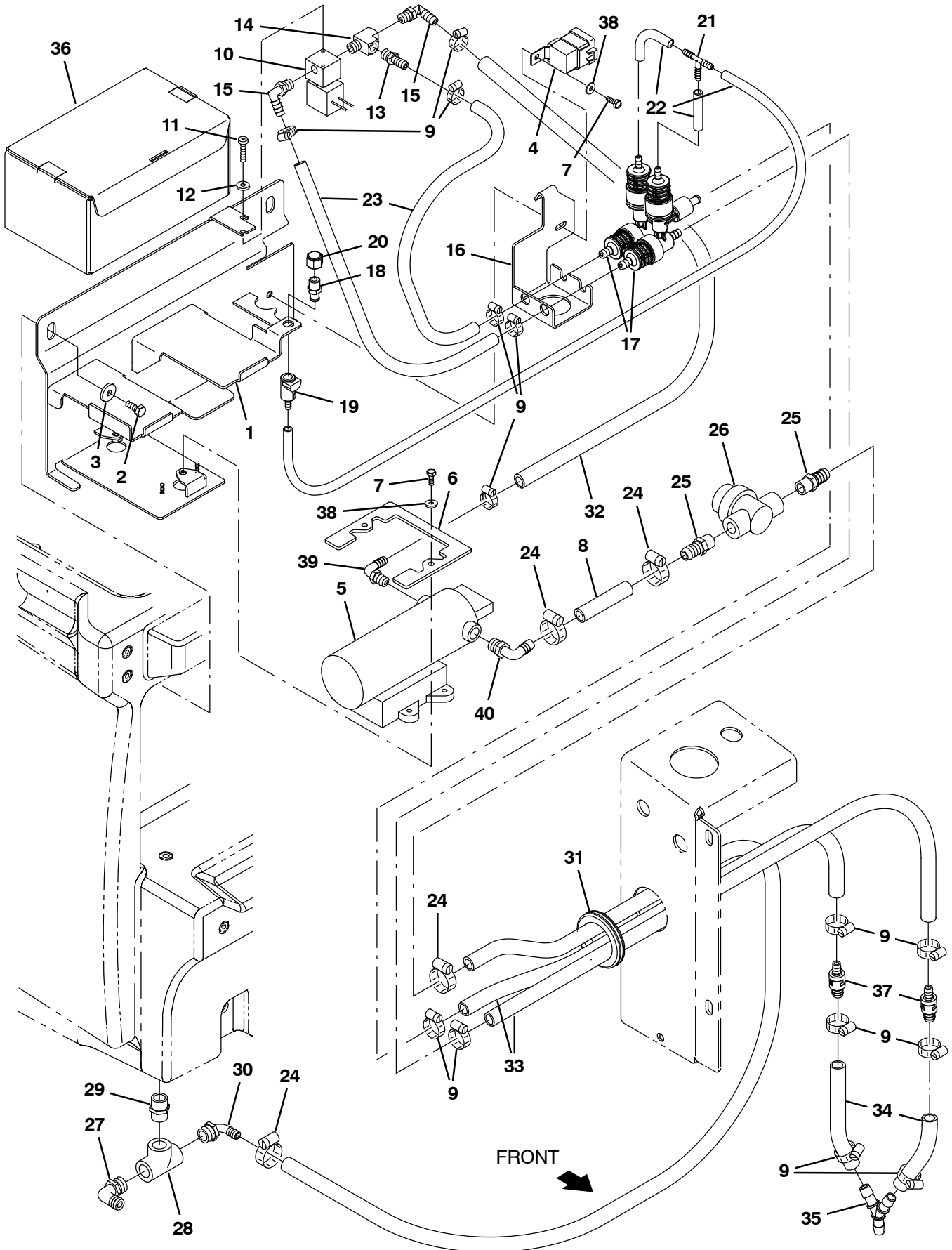
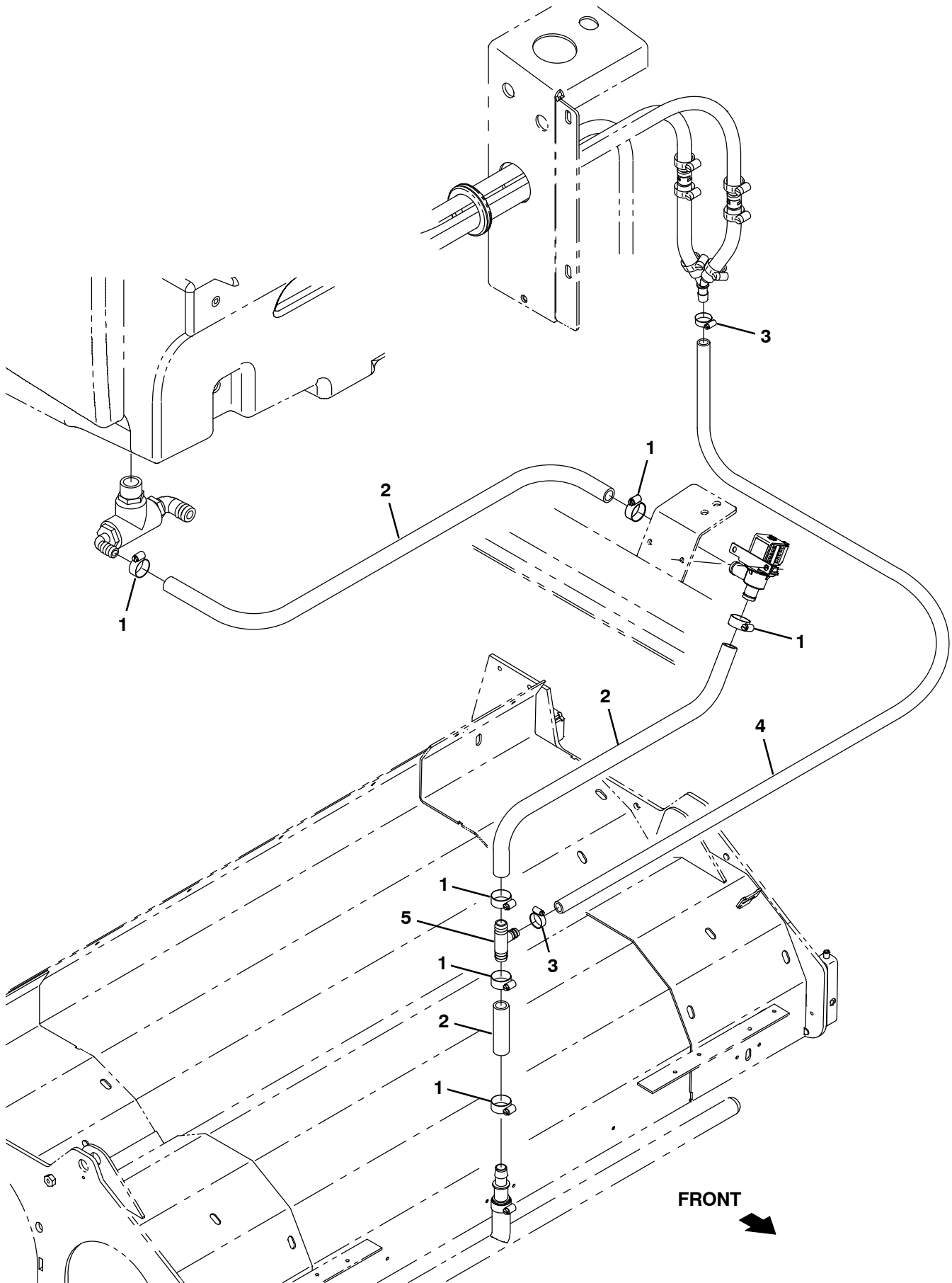


Fig. 9 – FaST Pumps and Detergent Group

Ref.	Part No.	Serial Number	Description	Qty.
1	1044342	(008000–	) Bracket Wldt, Mtg [FaST Gen 2+]	1
2	09740	(008000–	) Screw, Hex, M8 X 1.25 X 20, Ss	2
3	1017218	(008000–	) Washer, Flat, 0.32b 1.00d .12, Ss	2
4	56186	(008000–	) Relay, 12vdc, 040a, Spdt No	1
5	1036801	(008000–	) Pump, Soltn, 13.7vdc, 65psi [FaST li+]	1
6	1039357	(008000–	) Bracket, Retainer, Pump	1
7	15678	(008000–	) Screw, Hex, M6 X 1.00 X 16, Ss	3
8	1011403	(008000–	) Hose, Afmkt, Pvc, Brd, 0.50ld, 01Ft, Clr	1
9	43844	(008000–	) Clamp, Hose, Wormdrive, 0.25–0.62d, .31w	14
10	1018098	(008000–	) Valve, Water, Solenoid, 12vdc 6.0mm Pf04	1
11	09200	(008000–	) Screw, Pan, Phl, M5 X 0.80 X 12, Ss	2
12	01683	(008000–	) Washer, Flat, 10, Ss	2
13	150540	(008000–	) Fitting, Plstc, Str, Bm06/Pm04	1
14	150709	(008000–	) Fitting, Brs, Tee, Pf04/Pf04/Pm04, Run	1
15	57248	(008000–	) Fitting, Plstc, E90, Bm06/Pm04, Nyl	2
16	1044343	(008000–	) Bracket, Mtg [FaST Gen 2+]	1
17	9008868	(008000–	) FaST Kit, Injector [M20/T20/M30 FaST III] (See Breakdowns)	2
18	1005435	(008000–	) Fitting, Plstc, Pipe, Cap, Pf04	1
19	1002898	(008000–	) Fitting, Plstc, Str, Bm04, Cplg, Fem	1
20	1002899	(008000–	) Fitting, Plstc, Str, Pm04, Cplg, Mal	2
21	150713	(008000–	) Fitting, Plstc, Tee, Bm04/Bm04/Bm04	1
22	1014986	(008000–	) Hose, Afmkt, Pvc, Clr, 0.25id, 02ft	1
23	1006416	(008000–	) Hose, Afmkt, Pvc, Clr, 0.38id, 03ft	1
24	54333	(008000–	) Clamp, Hose, Wormdrive, 0.31–0.88d, .31w	8
25	150538	(008000–	) Fitting, Plstc, Str, Bm06/Pm06	2
26	1005302	(008000–	) Filter, In-Line, Pf06/Pf06 080mesh 02.6l	1
27	73468	(008000–	) Fitting, Plstc, E90, Bm10/Pm12	1
28	42133A	(008000–	) Fitting, Plstc, Tee, Pf12/Pf12/Pf12	1
29	24544	(008000–	) Fitting, Plstc, Str, Pm12/Pm12 1.60l	1
30	1005552	(008000–	) Fitting, Plstc, E90, Bm08/Pm12, Nyl	1
31	10632–19	(008000–	) Grommet, Rbr, 2.13id, F/2.5h, .12 Matl	1
32	1006400	(008000–	) Hose, Afmkt, Pvc, Brd, 0.38id, 03ft, Clr	1
33	1024237	(008000–	) Hose, Afmkt, Pvc, Wir, 0.50id, 03ft, Clr	1
34	1014929	(008000–	) Hose, Afmkt, Pvc, Clr, 0.38id, 01ft	1
35	1010668	(008000–	) Fitting, Plstc, Y, Bm08/Bm08/Bm08, Nyl	1
36	1017022	(008000–	) Detergent, Pkg, 2 Liter, Sgl [665]	1
37	1035794	(008000–	) Valve, Check, 0005psi Bm06/Bm08	2
38	01684	(008000–	) Washer, Flat, 0.27B 0.69D .05, Ss	3
39	1049254	(008000–	) Fitting, Nyl, Qdc, E90, Bm08/ Qm10	1
40	1049259	(008000–	) Fitting, NylY, Qdc, E90, Bm06/ Qm10	1

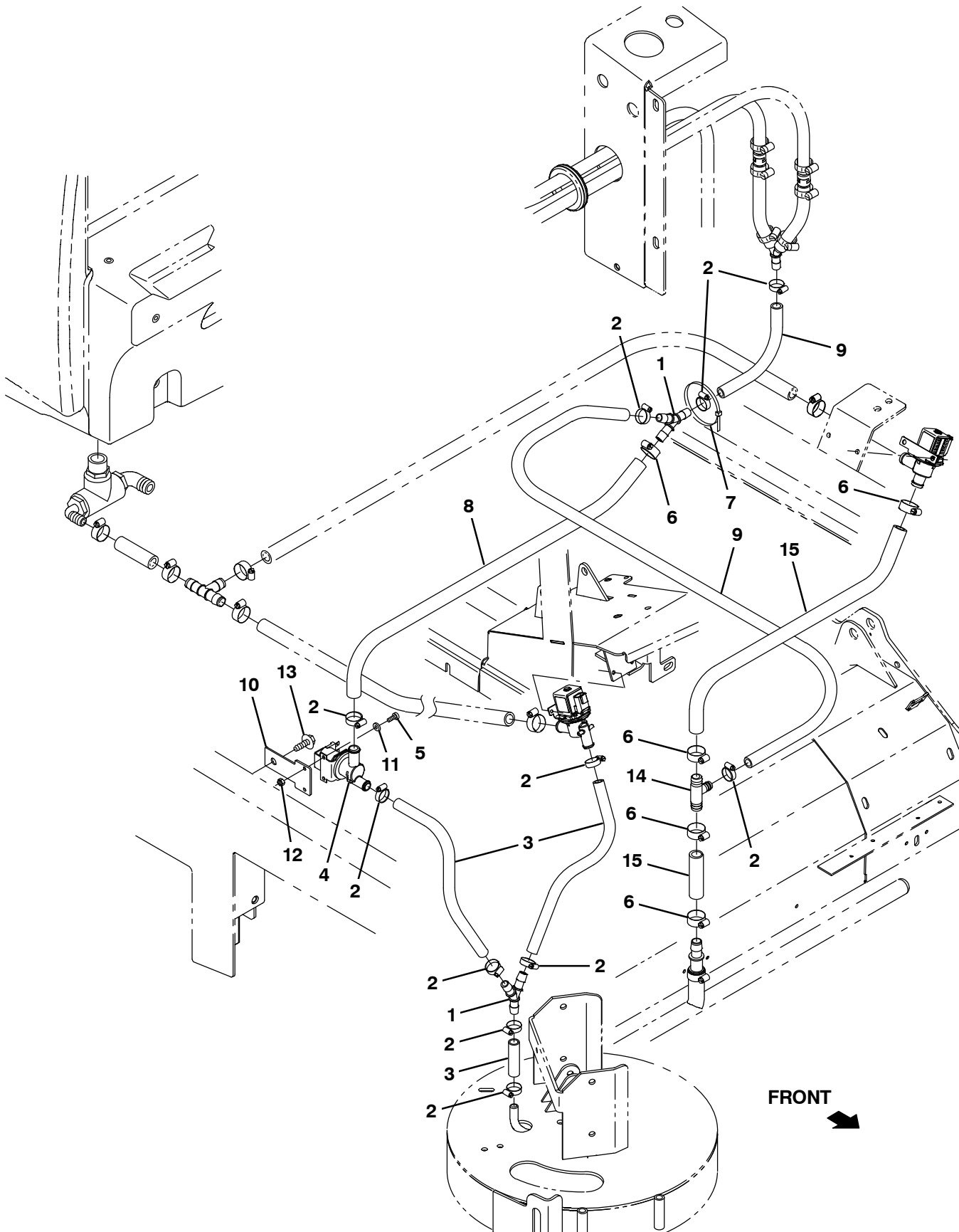
Fig. 10 – FaST Solution Supply Group



**Fig. 10 – FaST Solution Supply Group**

<b>Ref.</b>	<b>Part No.</b>	<b>Serial Number</b>	<b>Description</b>	<b>Qty.</b>
1	63810	(008000–	) Clamp, Hose, Wormdrive, 0.56–1.06d, .56w	6
2	1015032	(008000–	) Hose, Afmkt, Pvc, Brd, 0.62id, 08ft, Clr	1
3	54333	(008000–	) Clamp, Hose, Wormdrive, 0.31–0.88d, .31w	2
4	1011412	(008000–	) Hose, Afmkt, Pvc, Brd, 0.50id, 08ft, Clr	1
5	1015486	(008000–	) Fitting, Plstc, Tee, Bm08/Bm10/Bm10, Br	1

**Fig. 11 - FaST Solution Supply Group with Side Brush**

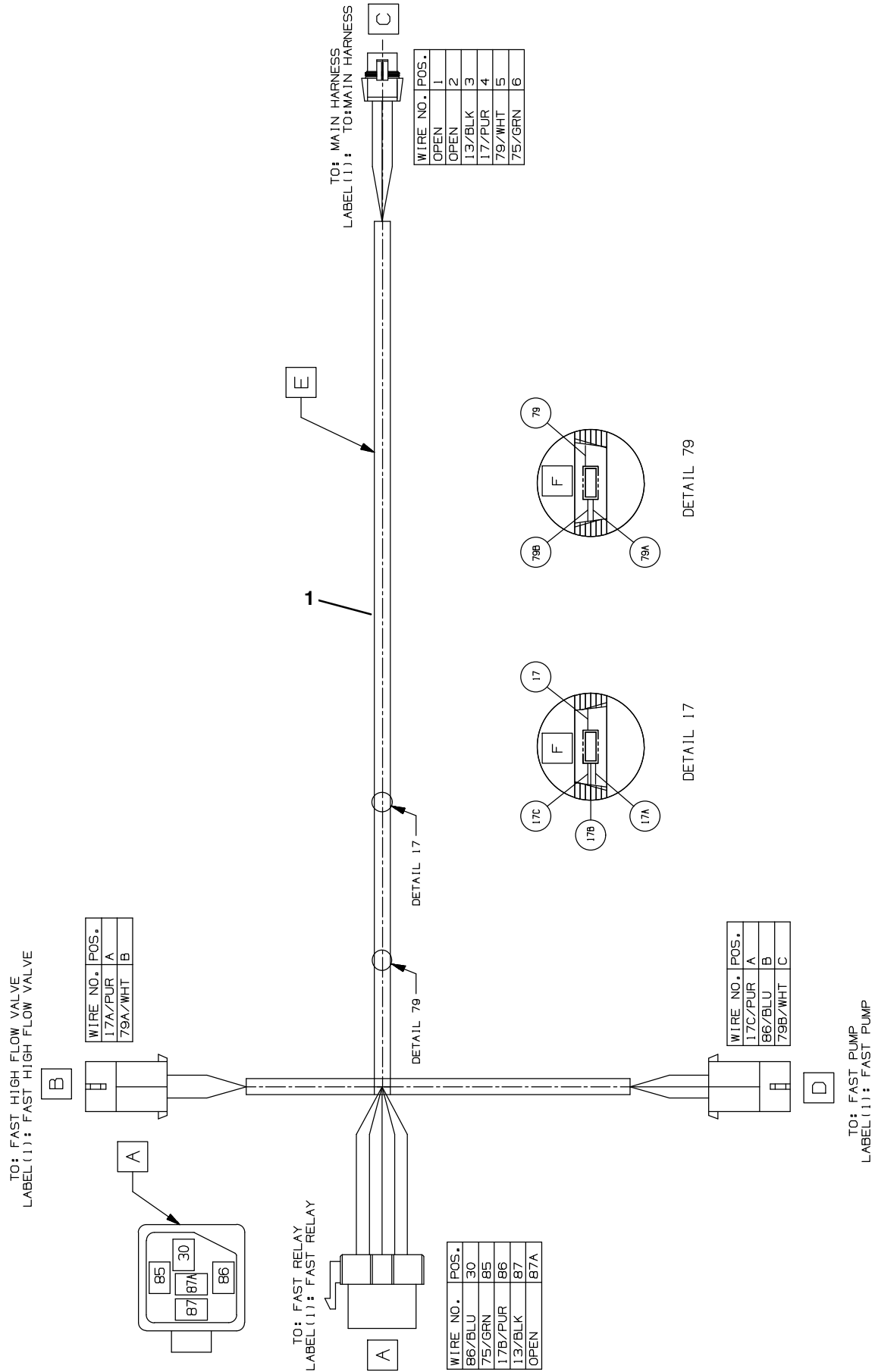




**Fig. 11 – FaST Solution Supply Group with Side Brush**

<b>Ref.</b>	<b>Part No.</b>	<b>Serial Number</b>	<b>Description</b>	<b>Qty.</b>
1	1010668	(008000–	) Fitting, Plstc, Y, Bm08/Bm08/Bm08, Nyl	2
2	54333	(008000–	) Clamp, Hose, Wormdrive, 0.31–0.88d, .31w	11
3	1015067	(008000–	) Hose, Afmkt, Pvc, Clr, 0.50id, 08ft	1
4	1037825	(008000–	) Valve, Solenoid, 12vdc, Water Flow	1
5	09200	(008000–	) Screw, Pan, Phl, M5 X 0.80 X 12, Ss	2
6	63810	(008000–	) Clamp, Hose, Wormdrive, 0.56–1.06d, .56w	5
7	763116	(008000–	) Tie, Cable, Nyl, 15.3l . W 4.5 Max D	1
8	31543	(008000–	) Hose, Heater, E90, 0.62id, 24.0 4.0	1
9	1011412	(008000–	) Hose, Afmkt, Pvc, Brd, 0.50id, 08ft, Clr	1
10	1030511	(008000–	) Plate, Mtg, Valve	1
11	01683	(008000–	) Washer, Flat, 10, Ss	2
12	09739	(008000–	) Nut, Hex, Lock, M5 X 0.80, NI, Ss	2
13	76099	(008000–	) Screw, Hex, M8 X 1.25 X 25, Fmg	1
14	1015486	(008000–	) Fitting, Plstc, Tee, Bm08/Bm10/Bm10, Br	1
15	1015026	(008000–	) Hose, Afmkt, Pvc, Brd, 0.62id, 03ft, Clr	1

Fig. 12 - FaST Wire Harness Group



**Fig. 12 – FaST Wire Harness Group**

<b>Ref.</b>	<b>Part No.</b>	<b>Serial Number</b>	<b>Description</b>	<b>Qty.</b>
1	1075138	(008000– )	Harness, Wire [FaST Gen 2, M20/T20]	1

Fig. 13 – ec-H2O Solution Pump Group

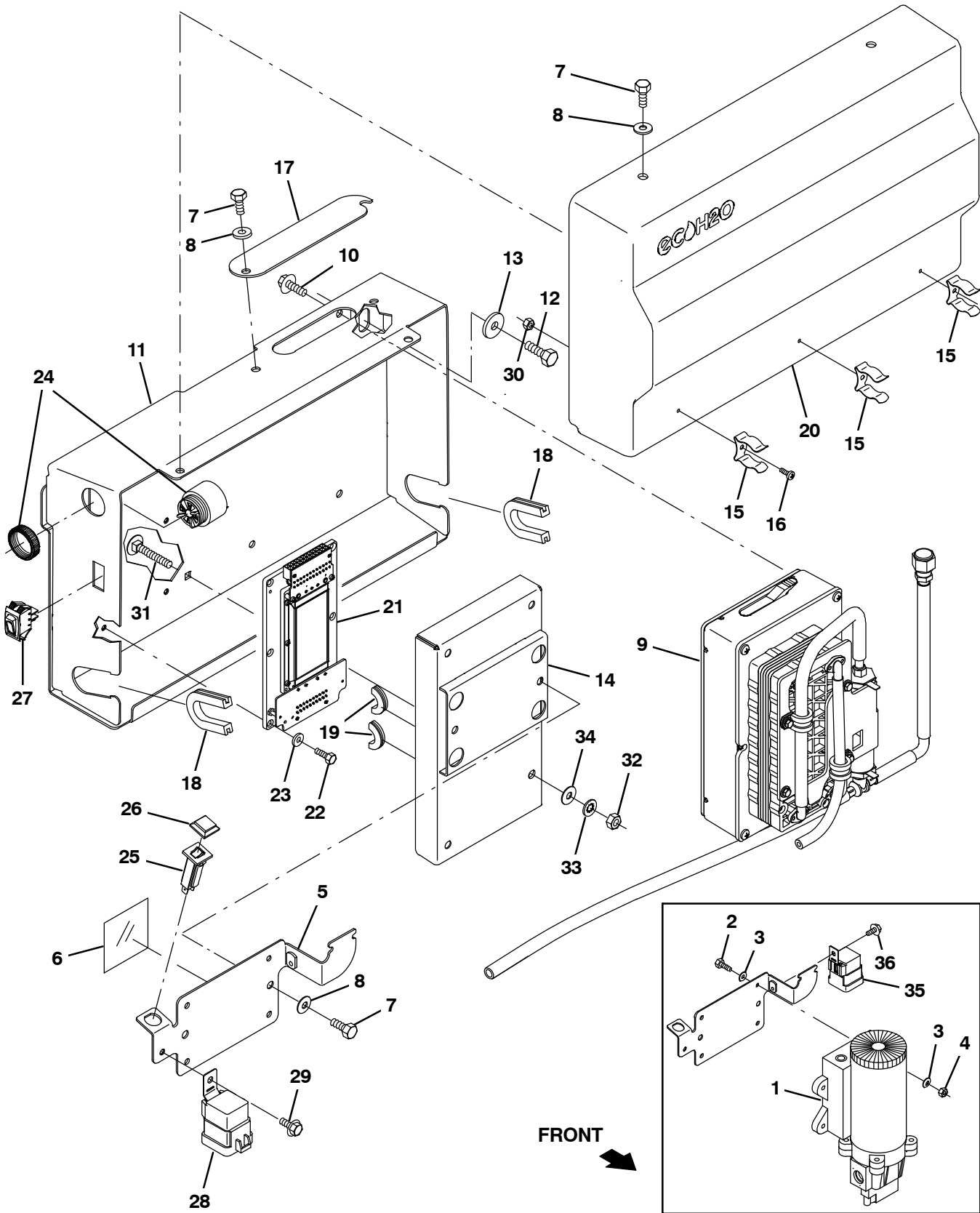


Fig. 13 – ec–H2O Solution Pump Group

Ref.	Part No.	Serial Number	Description	Qty.
1	1060624	(008000–014000 )	Pump, Soltn, Ele, 13.7vdc,12/28psi	1
2	09252	(008000–014000 )	Screw, Hex, M5 X 0.80 X 20, 8.8	4
3	19066	(008000–014000 )	Washer, Flat, 10	8
4	06549	(008000–014000 )	Nut, Hex, Lock, M5 X 0.80, NI	4
5	1060273	(008000– )	Plate, Mtg, Pump	1
6	1059677	(008000– )	Strip, Rbr, 0.06 03.54w 03.5l [Neo/60]	1
7	09744	(008000– )	Screw, Hex, M6 X 1.00 X 12, Ss	6
8	01684	(008000– )	Washer, Flat, 0.27b 0.69d .05, Ss	6
9	9007882	(008000– )	Module Kit, Replmt [Ec–H2O] (See Breakdowns)	1
10	1040467	(008000– )	Screw, Hex, M6 X 1.00 X 20, 9.8, Sems	4
11	1060292	(008000– )	Plate Wldt, Mtg	1
12	09740	(008000– )	Screw, Hex, M8 X 1.25 X 20, Ss	2
13	1017218	(008000– )	Washer, Flat, 0.32b 1.00d .12, Ss	2
14	1060185	(008000– )	Cover Wldt, Power Supply	1
15	1029057	(008000– )	Clip, Grip, Finger, 0.88–1.25d	3
16	12323	(008000– )	Screw, Pan, Phl, M4 X 0.70 X 20, Ss	3
17	1060291	(008000– )	Plate, Inspection	1
18	1020168	(008000– )	Molding, Afmkt, Trim, Pvc, .08 .11, 01Ft	1
19	10632–4	(008000– )	Grommet, Rbr, 0.62id, F/0.9h, .06 Matl	1
20	1060719	(008000– )	Cover, Trimmed	1
21	1247720	(008000– )	Circuitboard Assy [Dc To Dc Conv.]	1
22	09206	(008000– )	Screw, Hex, M4 X 0.70 X 12, 8.8	4
23	19065	(008000– )	Washer, Flat, 08	4
24	1052726	(008000– )	Alarm, 9–48vdc, 95 Db(A) [Ec–H2O]	1
25	1064183	(008000– )	Circuitbreaker, 02.0a, Resetable	1
26	1064191	(008000– )	Boot, Circuitbreaker	1
27	1044393	(008000– )	Switch, Rocker, Spst, Mom	1
28	56186	(008000– )	Relay, 12vdc, 040a, Spdt No	1
29	223198	(008000– )	Screw, Hex, M5 X 0.80 X 10, Fmg	1
30	33932	(008000– )	Nut, Hex, Lock, M4 X 0.70, NI, Ss	3
31	1062804	(008000– )	Bolt, Carriage, M06 X 1.00 X 40, 4.6	4
32	41359	(000000 )	Nut, Hex, Std, M6 X 1.00, 8	4
33	32982	(000000 )	Washer, Lock, Int, 0.25	4
34	32483	(000000 )	Washer, Flat, 0.25, Sae	4
35	56186	(008000–014000 )	Relay, 12vdc, 040a, Spdt No	1
36	223198	(008000–014000 )	Screw, Hex, M5 X 0.80 X 10, Fmg	1

# OPTIONS

Fig. 14 – ec-H2O Solution Pump Supply Group (008000-014000)

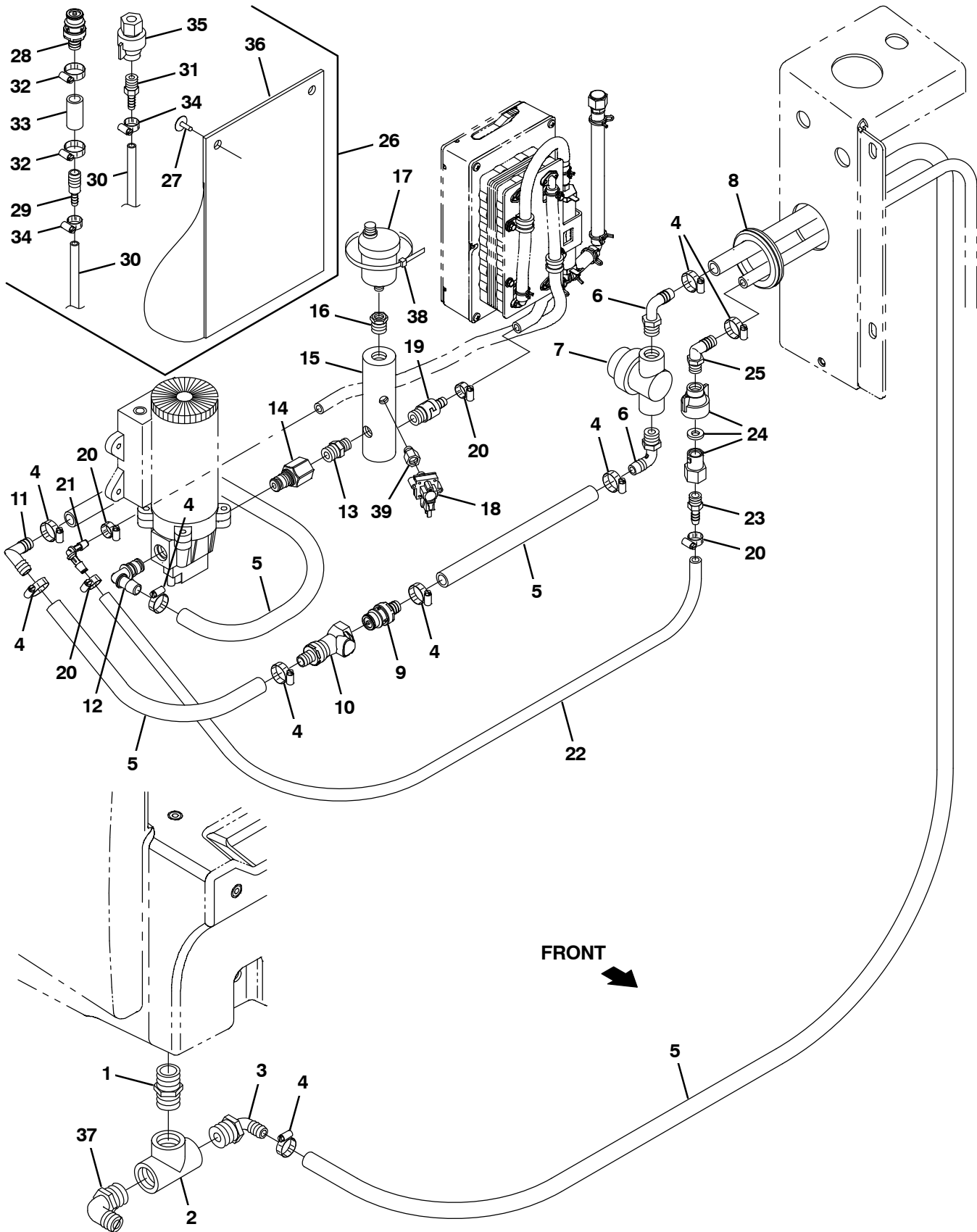
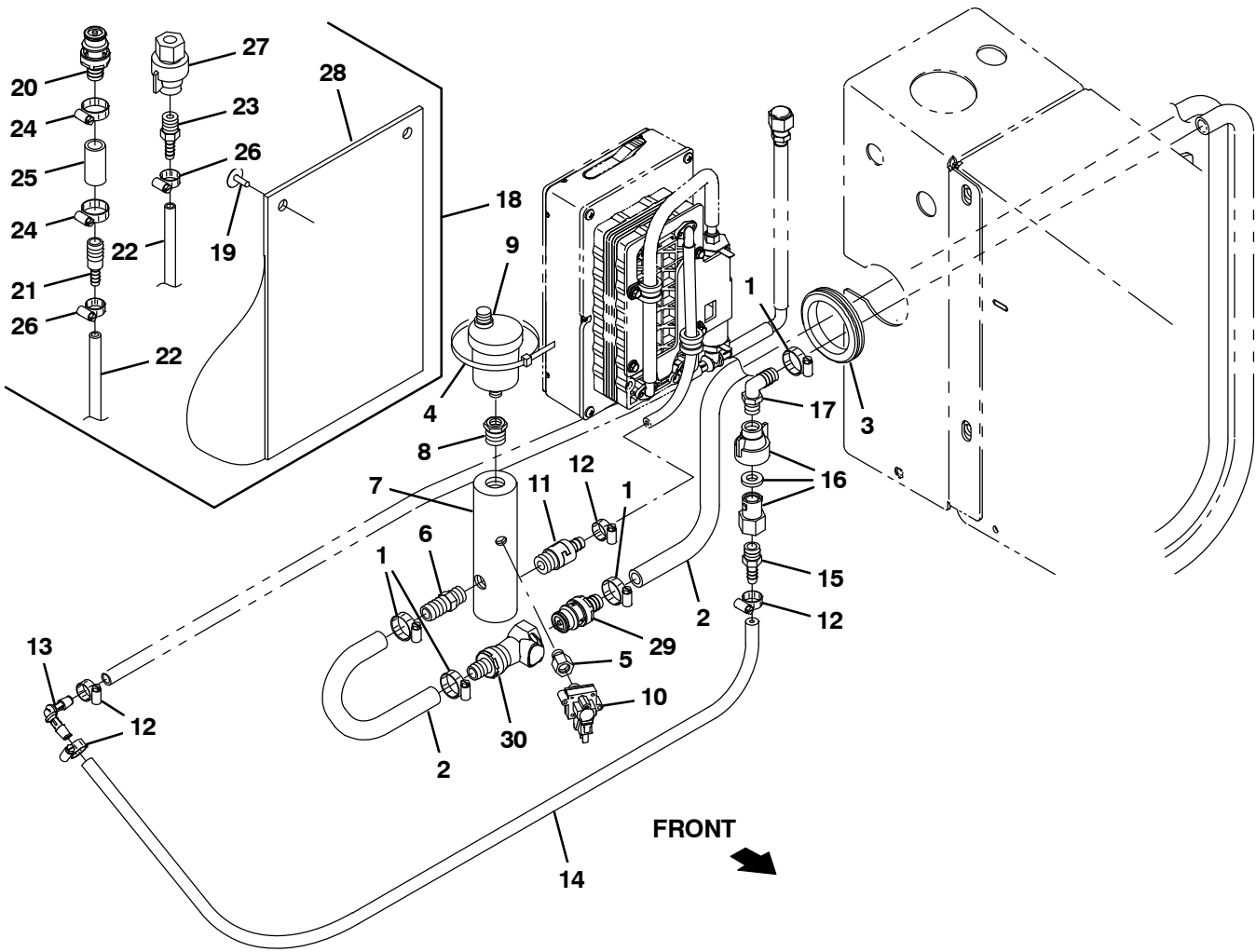


Fig. 14 – ec-H2O Solution Pump Supply Group (008000–014000)

Ref.	Part No.	Serial Number	Description	Qty.
1	24544	(008000–014000 )	Fitting, Plstc, Str, Pm12/Pm12 1.60l	1
2	42133A	(008000–014000 )	Fitting, Plstc, Tee, Pf12/Pf12/Pf12	1
3	1005552	(008000–014000 )	Fitting, Plstc, E90, Bm08/Pm12, Nyl	1
4	54333	(008000–014000 )	Clamp, Hose, Wormdrive, 0.31–0.88d, .31w	9
5	1011837	(008000–014000 )	Hose, Afmkt, Pvc, Brd, 0.50id, 12ft, Clr	1
6	64778	(008000–014000 )	Fitting, Plstc, E90, Bm08/Pm06	2
7	1005302	(008000–014000 )	Filter, In-Line, Pf06/Pf06 080mesh 02.6l	1
8	10632–19	(008000–014000 )	Grommet, Rbr, 2.13id, F/2.5h, .12 Matl	3
9	1017415	(008000–014000 )	Insert, Cplg, Qm, Bm08	1
10	1017413	(008000–014000 )	Housing, Cplg, Qf / Pm08	1
11	63987–1	(008000–014000 )	Fitting, Plstc, E90, Bm08/Bm08	1
12	1049254	(008000–014000 )	Fitting, Nyl, Qdc, E90, Bm08/ Qm10	1
13	1059372	(008000–014000 )	Fitting, Plstc, Str, Pf06/Qm10, Pvc	1
14	1005219	(008000–014000 )	Fitting, Plstc, Str, Pm04/Pm06, Nyl	1
15	1060596	(008000–014000 )	Manifold, Water	1
16	24698	(008000–014000 )	Fitting, Brs, Str, Pf02/Pm06	1
17	1017386	(008000–014000 )	Valve, Vent, Air, Float Type	1
18	1058935	(008000–014000 )	Switch, Press, 50 Psi, Pm02	1
19	1060693	(008000–014000 )	Valve, Check, 0005psi Pm04/Bm06	1
20	43844	(008000–014000 )	Clamp, Hose, Wormdrive, 0.25–0.62d, .31w	4
21	1059391	(008000–014000 )	Fitting, Plstc, E90, Bm05/Bm05, Nyl	1
22	1052336	(008000–014000 )	Hose, Afmkt, PVC, Brd, 0.31id, 03Ft, Clr	2
23	1052017	(008000–014000 )	Fitting, Plstc, Str, Bm05/Pm04	1
24	1071280	(008000–014000 )	Fitting Assy, Qdc, Pf04	1
25	65581	(008000–014000 )	Fitting, Plstc, E90, Bm08/Pm04	1
▽	26	9014281	ec-H2O Kit, Flush, Replmt[M20, M30&T20]	1
▲	27	72968	Rivet, Plstc, .250d X 0.90	2
▲	28	1017415	Insert, Cplg, Qm, Bm08	1
▲	29	630164	Fitting, Plstc, Str, Bm04/Bm08	1
▲	30	1006415	Hose, Afmkt, Pvc, Clr, 0.25id, 03ft	2
▲	31	50901	Fitting, Plstc, Str, Bm04/Pm04	1
▲	32	54333	Clamp, Hose, Wormdrive, 0.31–0.88d, .31w	2
▲	33	1011403	Hose, Afmkt, Pvc, Brd, 0.50id, 01ft, Clr	1
▲	34	43844	Clamp, Hose, Wormdrive, 0.25–0.62d, .31w	2
▲	35	1071280	Fitting Assy, Qdc, Pf04	1
▲	36	48790	Pouch	1
	37	73468	Fitting, Plstc, E90, Bm10/Pm12	1
	38	49266	Tie, Cable, Nyl, 07.3l .19w 1.8 Max D	1
	39	1062403	Fitting, Brs, Snubber, Pm02/Pf02	1

Fig. 15 - ec-H2O Solution Pump Supply Group (014001- )

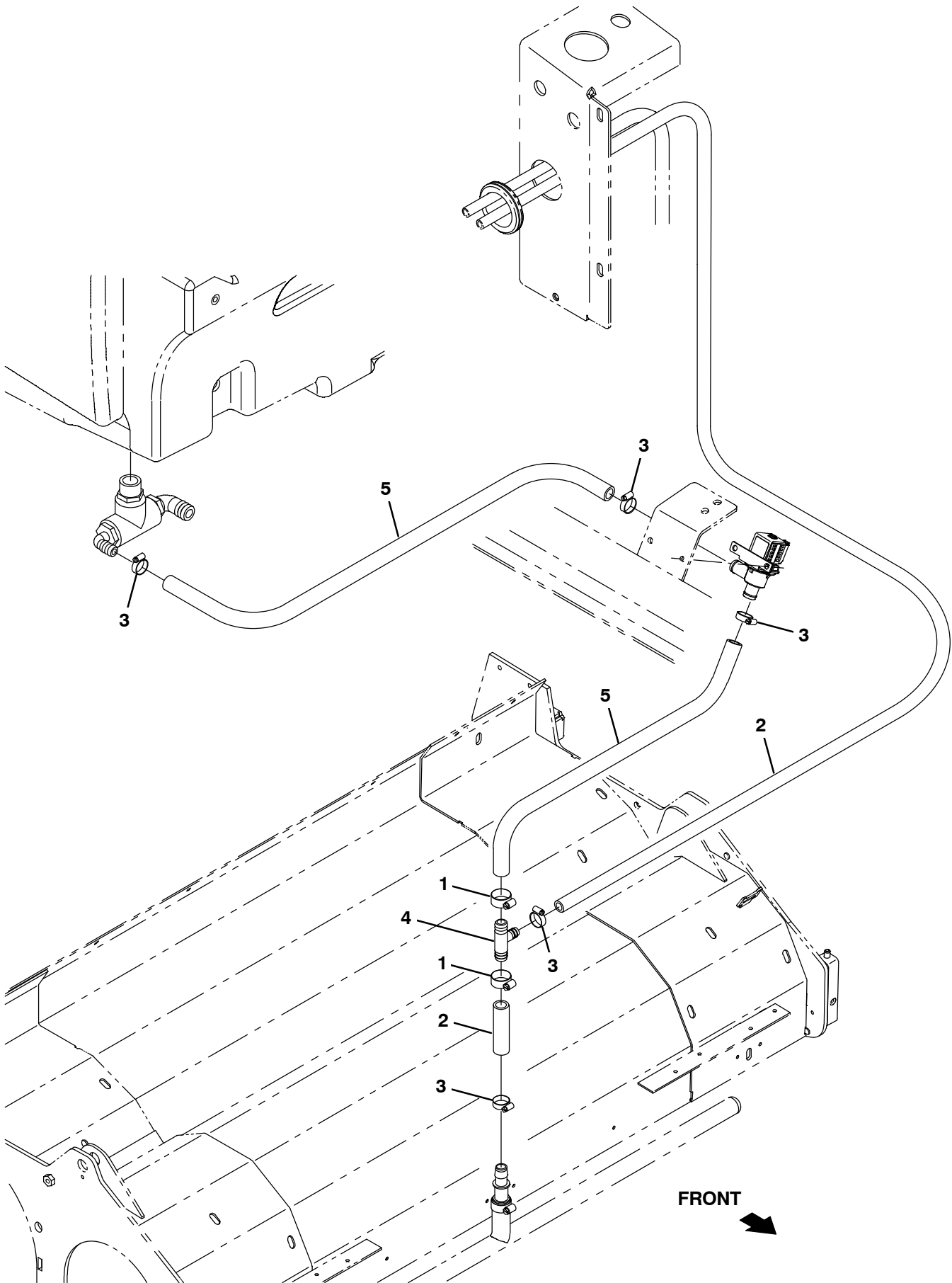




**Fig. 15 – ec-H2O Solution Pump Supply Group (014001-)**

Ref.	Part No.	Serial Number	Description	Qty.	
1	54333	(014001-	) Clamp, Hose, Wormdrive, 0.31-0.88d, .31w	2	
2	1011837	(014001-	) Hose, Afmkt, Pvc, Brd, 0.50id, 12ft, Clr	1	
3	10632-19	(014001-	) Grommet, Rbr, 2.13id, F/2.5h, .12 Matl	1	
4	49266	(014001-	) Tie, Cable, Nyl, 07.3l .19w 1.8 Max D	1	
5	1062403	(014001-	) Fitting, Brs, Snubber, Pm02/Pf02	1	
6	48610	(014001-	) Fitting, Plstc, Str, Bm08/Pm04	1	
7	1060596	(014001-	) Manifold, Water	1	
8	24698	(014001-	) Fitting, Brs, Str, Pf02/Pm06	1	
9	1017386	(014001-	) Valve, Vent, Air, Float Type	1	
10	1058935	(014001-	) Switch, Press, 50 Psi, Pm02	1	
11	1060693	(014001-	) Valve, Check, 0005psi Pm04/Bm06	1	
12	43844	(014001-	) Clamp, Hose, Wormdrive, 0.25-0.62d, .31w	4	
13	1059391	(014001-	) Fitting, Plstc, E90, Bm05/Bm05, Nyl	1	
14	1052336	(014001-	) Hose, Afmkt, PVC, Brd, 0.31ld, 03Ft, Clr	1	
15	1052017	(014001-	) Fitting, Plstc, Str, Bm05/Pm04	1	
16	1071280	(014001-	) Fitting Assy, Qdc, Pf04	1	
17	65581	(014001-	) Fitting, Plstc, E90, Bm08/Pm04	1	
▽	18	9014281	(014001-	) ec-H2O Kit, Flush, Replmt[M20, M30&T20]	1
▲	19	72968	(014001-	) Rivet, Plstc, .250d X 0.90	2
▲	20	1017415	(014001-	) Insert, Cplg, Qm, Bm08	1
▲	21	630164	(014001-	) Fitting, Plstc, Str, Bm04/Bm08	1
▲	22	1006415	(014001-	) Hose, Afmkt, Pvc, Clr, 0.25id, 03ft	2
▲	23	50901	(014001-	) Fitting, Plstc, Str, Bm04/Pm04	1
▲	24	54333	(014001-	) Clamp, Hose, Wormdrive, 0.31-0.88d, .31w	2
▲	25	1011403	(014001-	) Hose, Afmkt, Pvc, Brd, 0.50id, 01ft, Clr	1
▲	26	43844	(014001-	) Clamp, Hose, Wormdrive, 0.25-0.62d, .31w	2
▲	27	1071280	(014001-	) Fitting Assy, Qdc, Pf04	1
▲	28	48790	(014001-	) Pouch	1
	29	1017415	(014001-	) Insert, Cplg, Qm, Bm08	1
	30	1017413	(014001-	) Housing, Cplg, Qf / Pm08	1

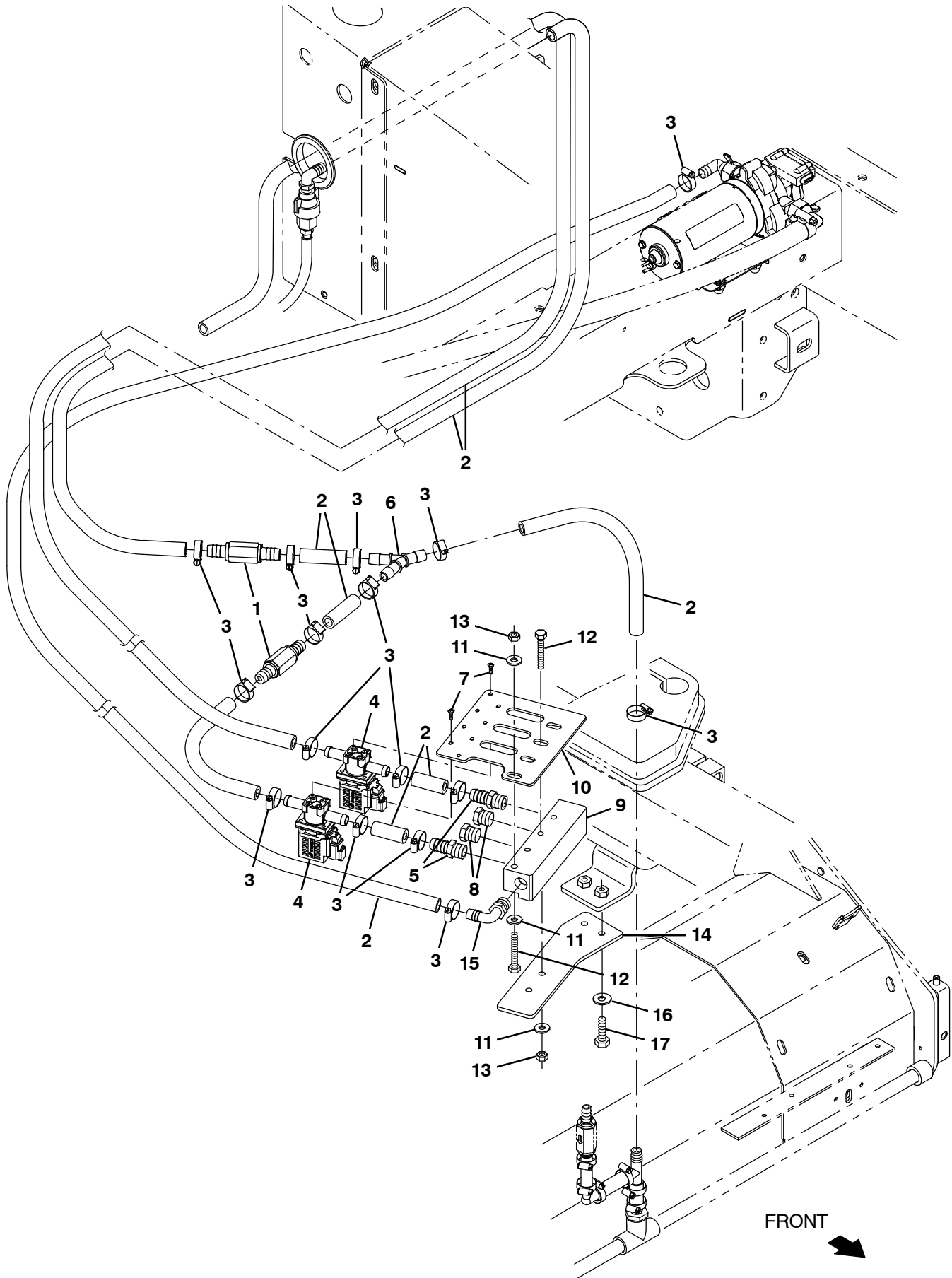
**Fig. 16 - ec-H2O Solution Supply Group (008000-014000)**



**Fig. 16 - ec-H2O Solution Supply Group (008000-014000)**

<b>Ref.</b>	<b>Part No.</b>	<b>Serial Number</b>	<b>Description</b>	<b>Qty.</b>
1	63810	(008000-014000 )	Clamp, Hose, Wormdrive, 0.56-1.06d, .56w	2
2	1011837	(008000-014000 )	Hose, Afmkt, Pvc, Brd, 0.50id, 12ft, Clr	1
3	54333	(008000-014000 )	Clamp, Hose, Wormdrive, 0.31-0.88d, .31w	5
4	1015486	(008000-014000 )	Fitting, Plstc, Tee, Bm08/Bm10/Bm10, Br	1
5	1015032	(008000-014000 )	Hose, Afmkt, Pvc, Brd, 0.62id, 08ft, Clr	1

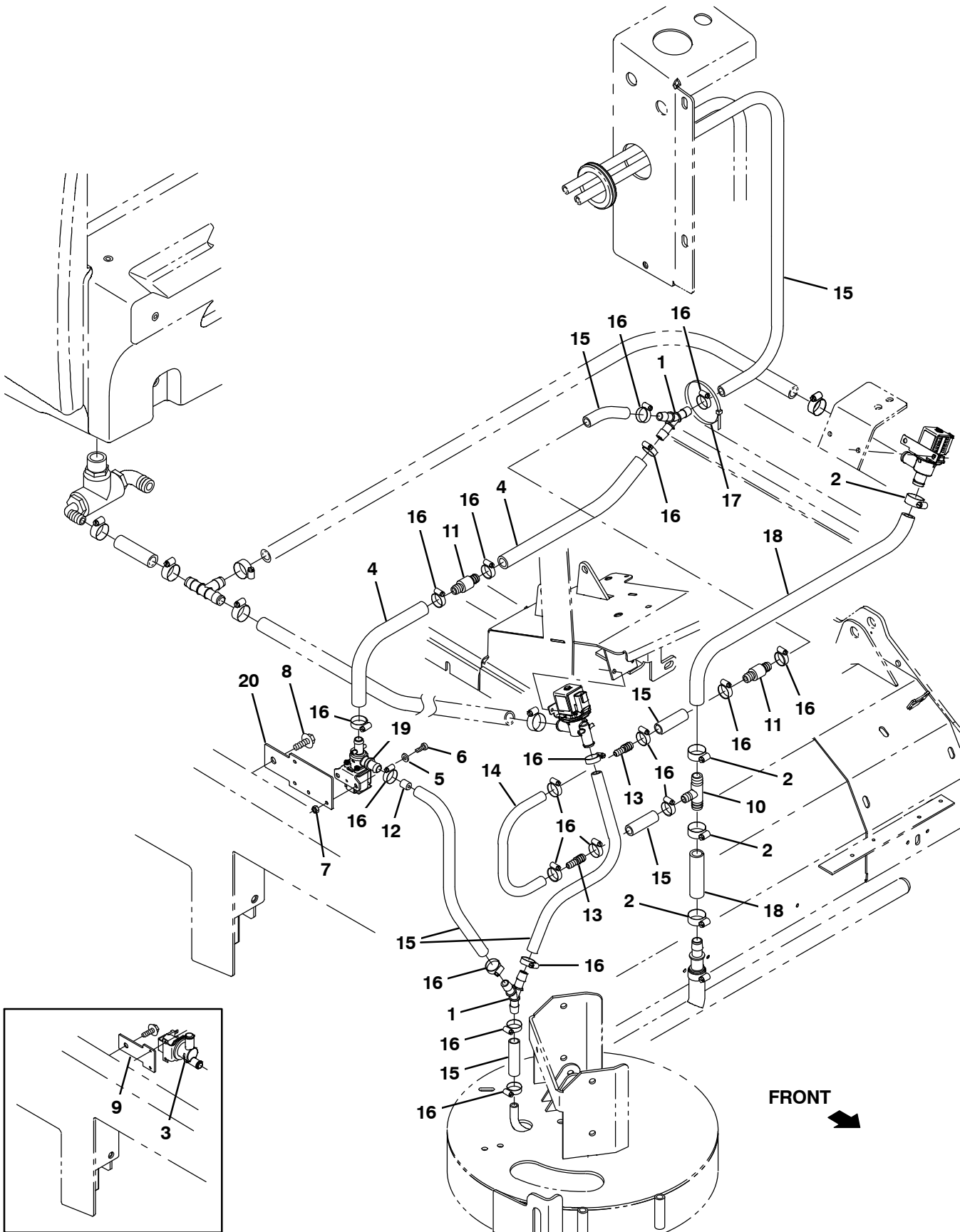
**Fig. 17 – ec-H<sub>2</sub>O Solution Supply Group (014001- )**



**Fig. 17 – ec–H2O Solution Supply Group (014001– )**

<b>Ref.</b>	<b>Part No.</b>	<b>Serial Number</b>	<b>Description</b>	<b>Qty.</b>
1	1251530	(014001– )	Valve, Check, 1.0psi, Bm08/Bm08	2
2	1011412	(014001– )	Hose, Afmkt, Pvc, Brd, 0.50id, 08ft, Clr	2
3	54333	(014001– )	Clamp, Hose, Wormdrive, 0.31–0.88d, .31w	6
4	1076870	(014001– )	Valve, Water, Solenoid [12vdc, Bm08/Bm08	2
5	64743	(014001– )	Fitting, Plstc, Str, Bm08/Pm06	2
6	1010668	(014001– )	Fitting, Plstc, Y, Bm08/Bm08/Bm08, Nyl	1
7	1257563	(014001– )	Screw, Pan, Torx, 06–19 X 0.38, F/ Plstc	4
8	630146	(014001– )	Fitting, Plug, Pm06, Hdpe	2
9	1254833	(014001– )	Manifold, Soln	1
10	1254856	(014001– )	Plate, Manifold, Mtg	1
11	32490	(014001– )	Washer, Flat, 0.25, Std	1
12	1257800	(014001– )	Screw, Hex, M6 X 1.00 X 60, Ss, Fl	4
13	08712	(014001– )	Nut, Hex, Lock, M6 X 1.00, NI, Ss	1
14	1077124	(014001– )	Bracket, Manifold, Stratus	1
15	64778	(014001– )	Fitting, Plstc, E90, Bm08/Pm06	1
16	32491	(014001– )	Washer, Flat, 0.31, Std	2
17	39277	(014001– )	Screw, Hex, M8 X 1.25 X 25, 8.8	2

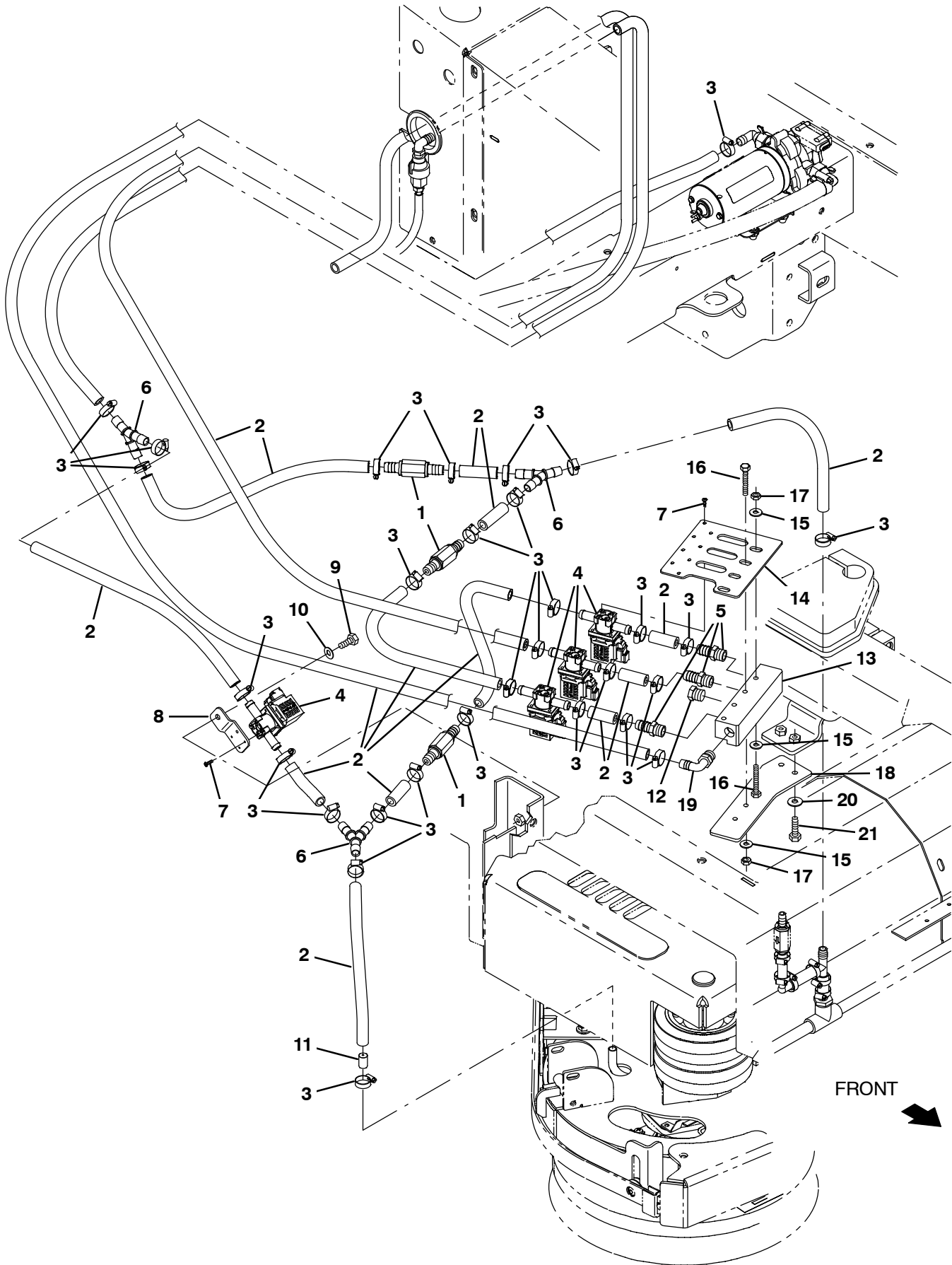
**Fig. 18 - ec-H2O Solution Supply Group with Side Brush (008000-014000)**



**Fig. 18 – ec-H2O Solution Supply Group with Side Brush (008000-014000)**

<b>Ref.</b>	<b>Part No.</b>	<b>Serial Number</b>	<b>Description</b>	<b>Qty.</b>
1	1010668	(008000-014000 )	Fitting, Plstc, Y, Bm08/Bm08/Bm08, Nyl	1
2	63810	(008000-014000 )	Clamp, Hose, Wormdrive, 0.56-1.06d, .56w	4
3	9021167	(008000-012081 )	Valve Kit, Water, Replmt	1
4	31543	(008000-014000 )	Hose, Heater, E90, 0.62id, 24.0 4.0	1
5	01683	(008000-014000 )	Washer, Flat, 10, Ss	2
6	24196	(008000-014000 )	Screw, Pan, Phl, M5 X 0.80 X 20, Ss	2
7	09739	(008000-014000 )	Nut, Hex, Lock, M5 X 0.80, NI, Ss	2
8	76099	(008000-014000 )	Screw, Hex, M8 X 1.25 X 25, Fmg	1
9	1030511	(008000-012081 )	Plate, Mtg, Valve	1
10	1015486	(008000-014000 )	Fitting, Plstc, Tee, Bm08/Bm10/Bm10, Br	1
11	1010614	(008000-014000 )	Valve, Check, 2gpm .5psi Bm08/Bm08	2
12	1061045	(008000-014000 )	Plug, Restrictor	1
13	222375	(008000-014000 )	Fitting, Plstc, Str, Bm06/Bm08	2
14	1014974	(008000-014000 )	Hose, Afmkt, Pvc, Brd, 0.38id, 02ft, Clr	1
15	1011412	(008000-014000 )	Hose, Afmkt, Pvc, Brd, 0.50id, 08ft, Clr	1
16	54333	(008000-014000 )	Clamp, Hose, Wormdrive, 0.31-0.88d, .31w	18
17	763116	(008000-014000 )	Tie, Cable, Nyl, 15.3l . W 4.5 Max D	1
18	1015026	(008000-014000 )	Hose, Afmkt, Pvc, Brd, 0.62id, 03ft, Clr	1
19	1076824	(012082-014000 )	Valve Assy, Water, Solenoid, 12vdc	1
20	1076793	(012082-014000 )	Plate, Mtg, Valve	1

**Fig. 19 – ec-H2O Solution Supply Group with Side Brush (014001- )**





**Fig. 19 - ec-H2O Solution Supply Group with Side Brush (014001- )**

<b>Ref.</b>	<b>Part No.</b>	<b>Serial Number</b>	<b>Description</b>	<b>Qty.</b>
1	1251530	(014001-	) Valve, Check, 1.0psi, Bm08/Bm08	3
2	1011835	(014001-	) Hose, Afmkt, Pvc, Brd, 0.50id, 20ft, Clr	2
3	54333	(014001-	) Clamp, Hose, Wormdrive, 0.31-0.88d, .31w	30
4	1076870	(014001-	) Valve, Water, Solenoid [12vdc, Bm08/Bm08	4
5	64743	(014001-	) Fitting, Plstc, Str, Bm08/Pm06	3
6	1010668	(014001-	) Fitting, Plstc, Y, Bm08/Bm08/Bm08, Nyl	3
7	1257563	(014001-	) Screw, Pan, Torx, 06-19 X 0.38, F/ Plstc	8
8	1256174	(014001-	) Bracket, Solenoid, Ech2o	1
9	09740	(014001-	) Screw, Hex, M8 X 1.25 X 20, Ss	1
10	01685	(014001-	) Washer, Flat, 0.38b 0.88d .08, Ss	1
11	1256639	(014001-	) Fitting, Plastic, Rst, 3.00mm	1
12	630146	(014001-	) Fitting, Plug, Pm06, Hdpe	1
13	1254833	(014001-	) Manifold, Soln	1
14	1254856	(014001-	) Plate, Manifold, Mtg	1
15	32490	(014001-	) Washer, Flat, 0.25, Std	6
16	1257800	(014001-	) Screw, Hex, M6 X 1.00 X 60, Ss, Fl	4
17	08712	(014001-	) Nut, Hex, Lock, M6 X 1.00, NI, Ss	4
18	1077124	(014001-	) Bracket, Manifold, Stratus	1
19	64778	(014001-	) Fitting, Plstc, E90, Bm08/Pm06	1
20	32491	(014001-	) Washer, Flat, 0.31, Std	2
21	39277	(014001-	) Screw, Hex, M8 X 1.25 X 25, 8.8	2

Fig. 20 – ec-H20 Wire Harnesses Group

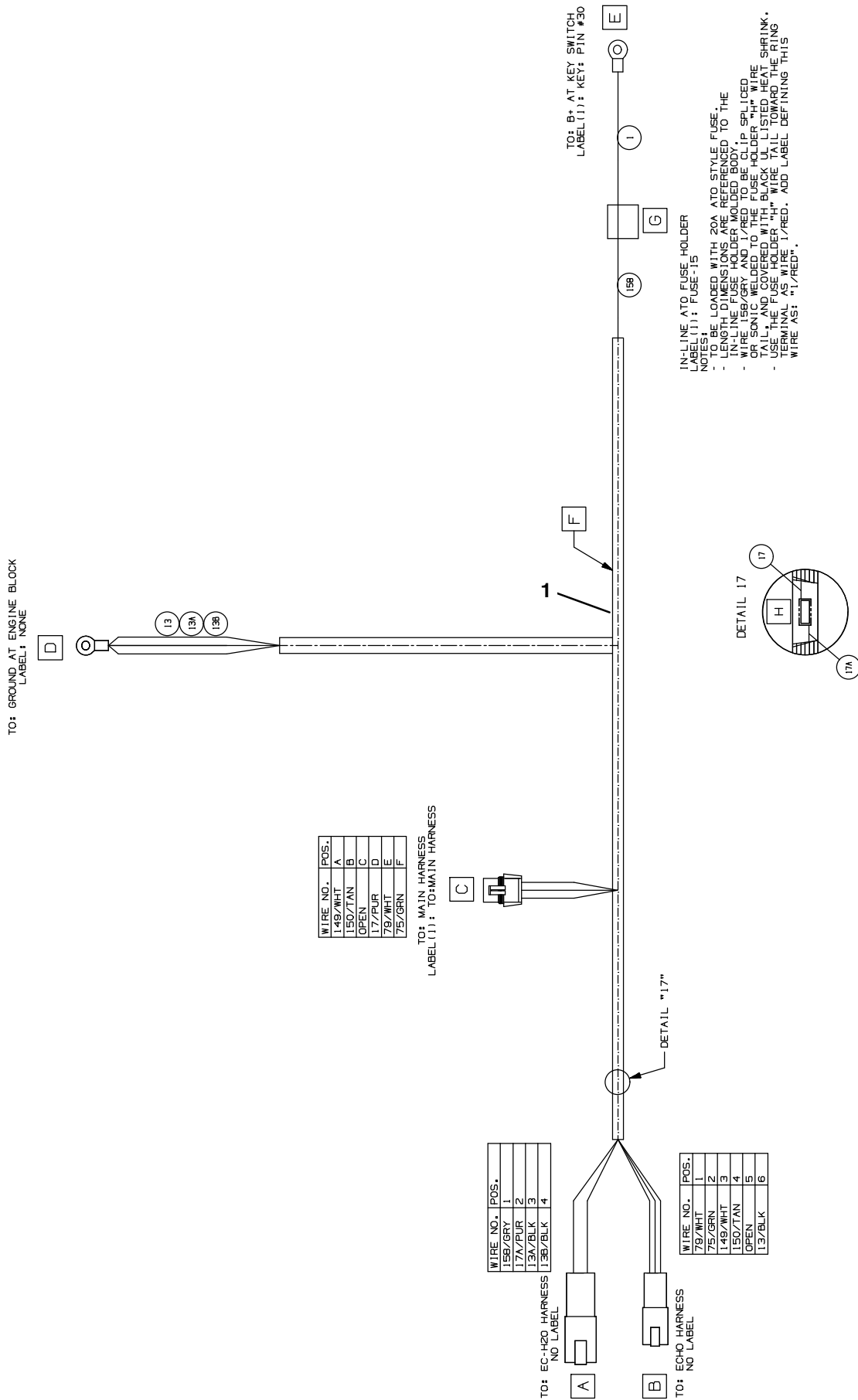


Fig. 20 – ec-H20 Wire Harness Group

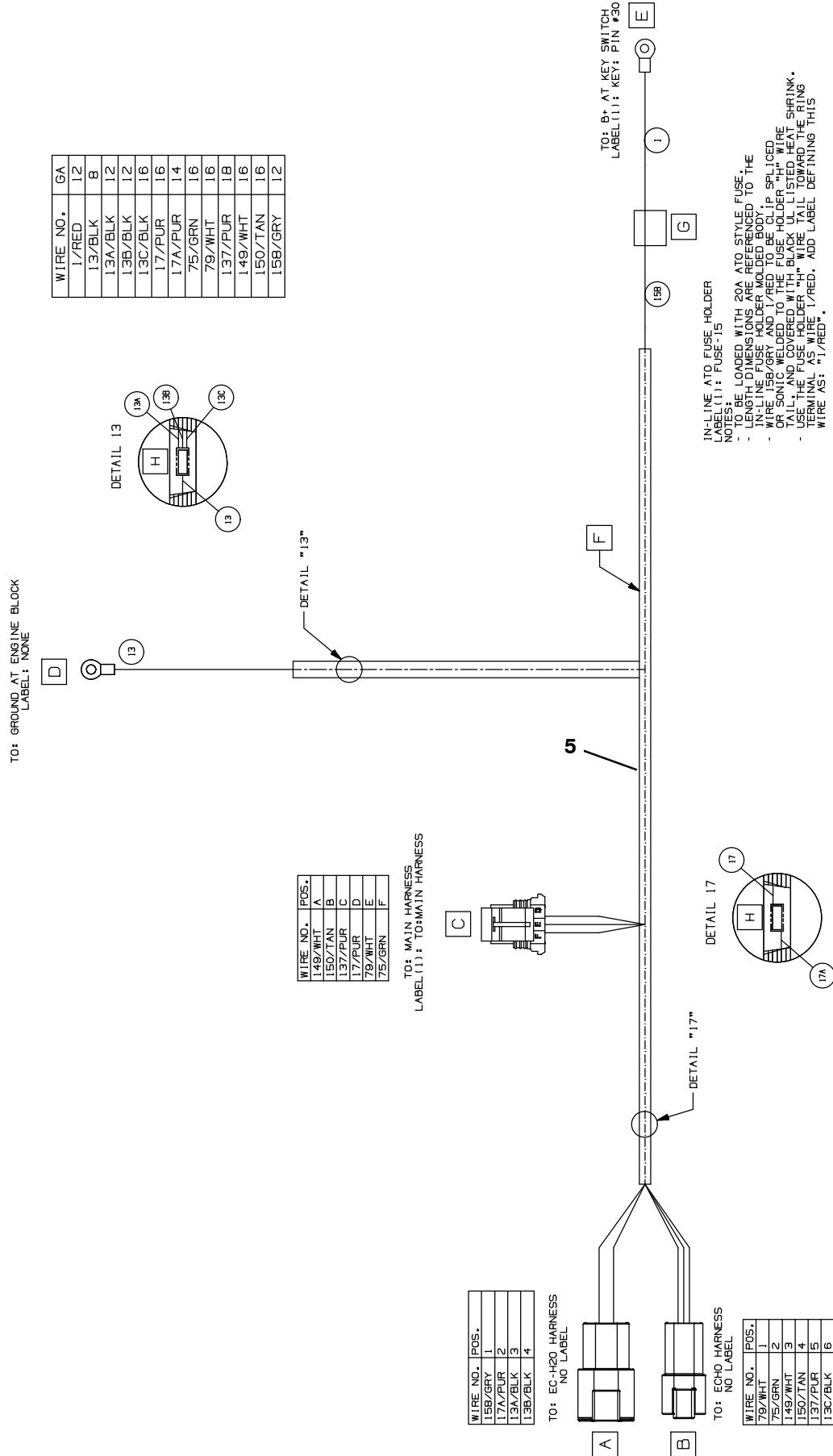
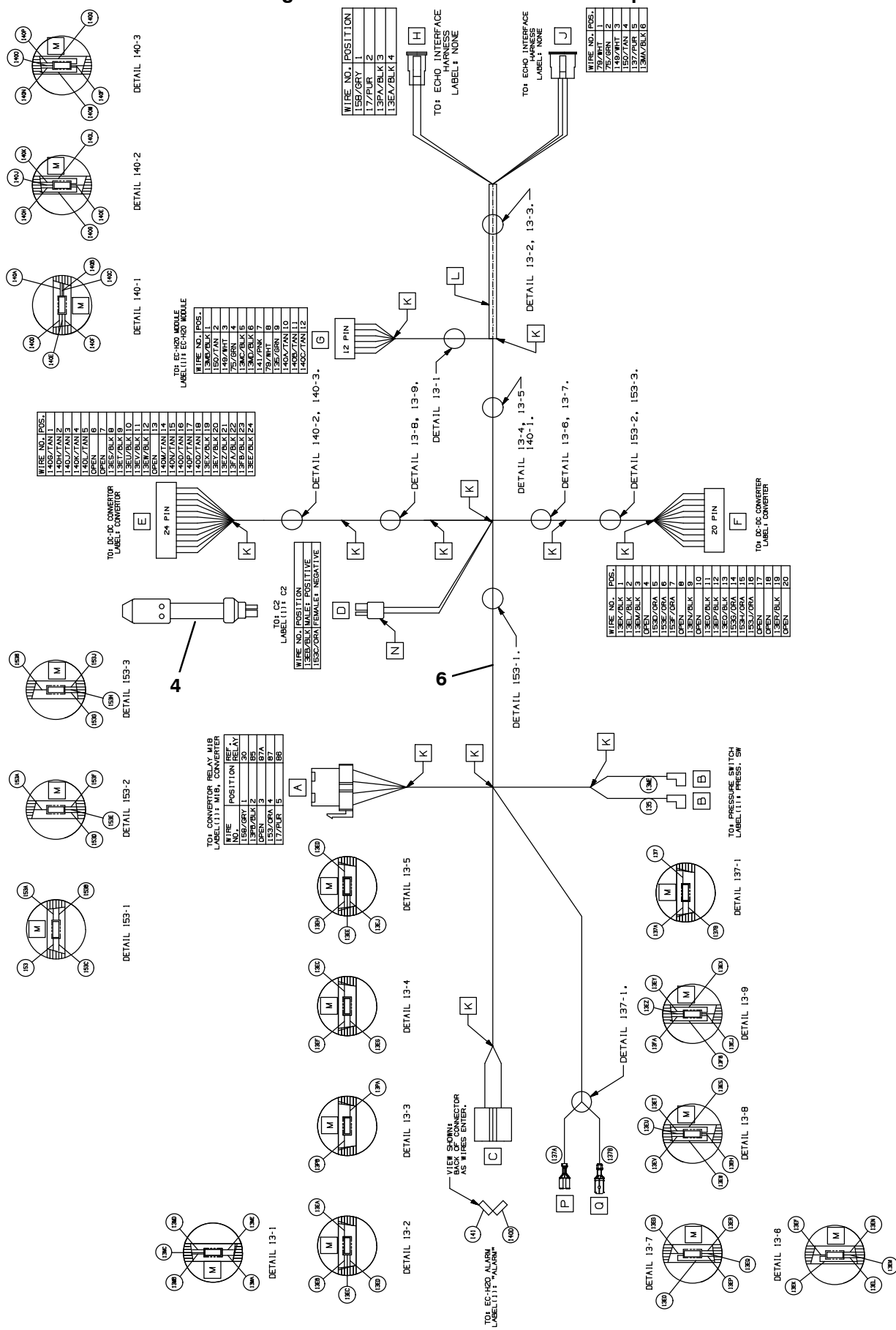




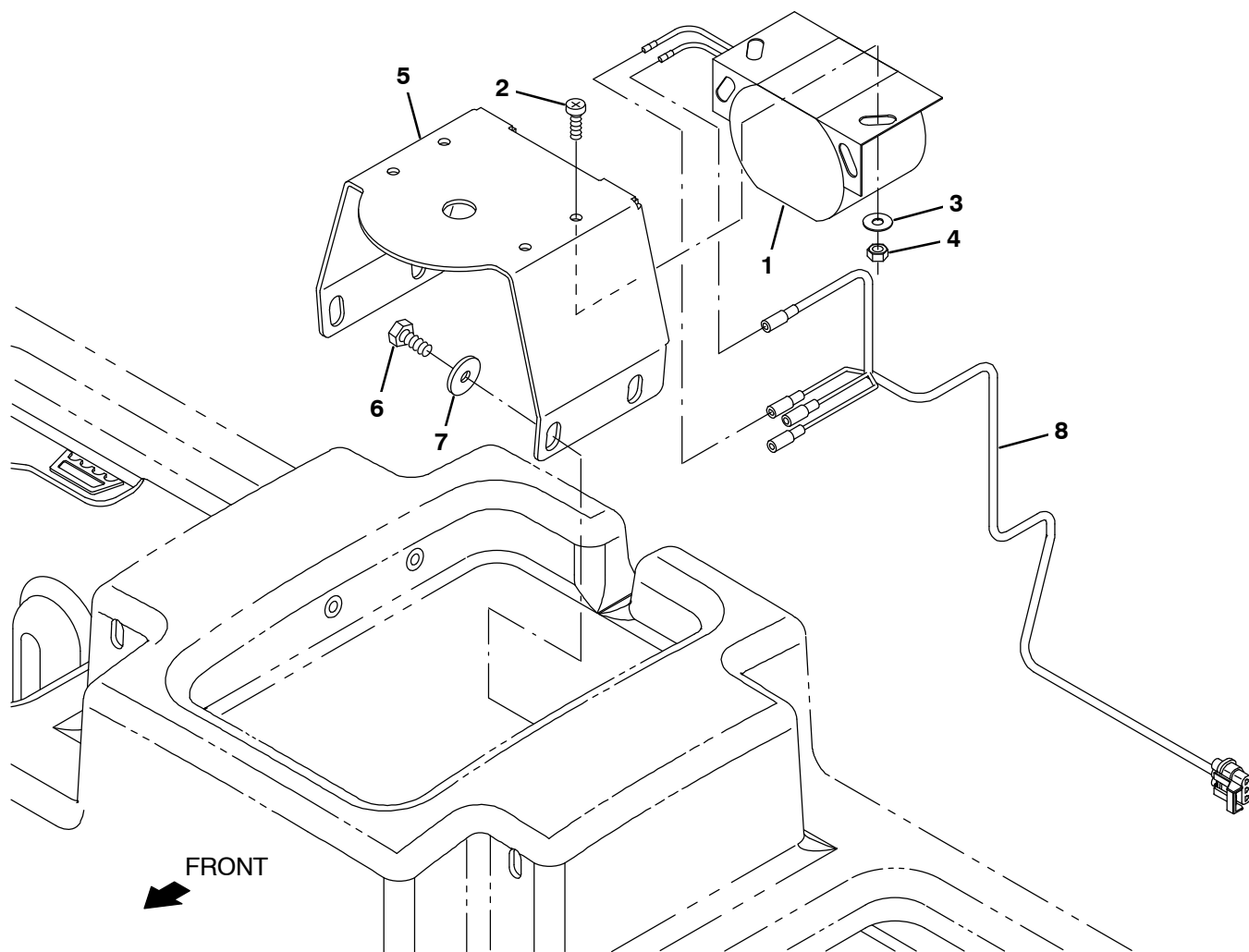
Fig. 20 - ec-H20 Wire Harnesses Group



**Fig. 20 – ec-H20 Wire Harnesses Group**

<b>Ref.</b>	<b>Part No.</b>	<b>Serial Number</b>	<b>Description</b>	<b>Qty.</b>
1	1075140	(008000–014000 )	Harness, Ele [Ech2o, Interface]	1
2	1060871	(008000–014000 )	Harness, Wire [Ec–H2o]	1
3	1060880	(008000– )	Resistor, Ele, Plug [430 , 2w]	1
4	1060881	(008000– )	Capacitor, Plug [4700uf, 25v]	1
5	1076976	(014001– )	Harness, Ele [Ech2o, Interface]	1
6	1076937	(014001– )	Harness, Wire [Ec–H2o]	1

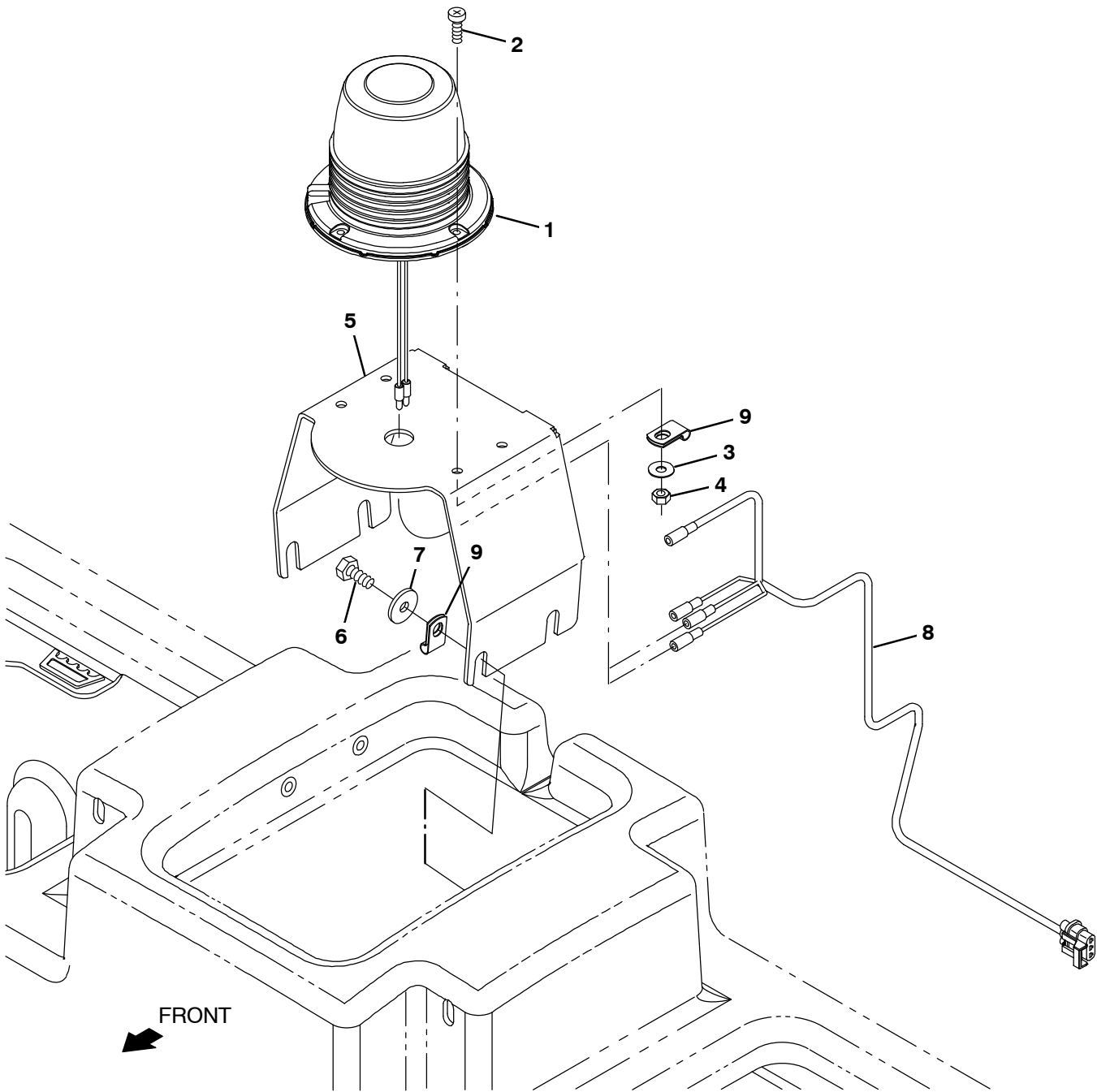
Fig. 21 – Backup Alarm Kit



354473

Ref.	Part No.	Serial Number	Description	Qty.
▽	9001321	(008000–	) Alarm Kit, Backup, Ci [M20 And T20]	1
▲	1 9007131	(008000–	) Alarm Assy, Backup, 12/48Vdc	1
▲	2 24196	(008000–	) Screw, Pan, Phl, M5 X 0.80 X 20, Ss	2
▲	3 19066	(008000–	) Washer, Flat, 10	2
▲	4 09739	(008000–	) Nut, Hex, Lock, M5 X 0.80, NI, Ss	2
▲	5 1019445	(008000–	) Bracket, Sppt, Strobe Light	1
▲	6 09740	(008000–	) Screw, Hex, M8 X 1.25 X 20, Ss	4
▲	7 1017218	(008000–	) Washer, Flat, 0.32b 1.00d .12, Ss	4
▲	8 1019971	(008000–	) Harness, Warning / Backup [M20 & T20]	1

**Fig. 22 – Light Kit, Flashing**

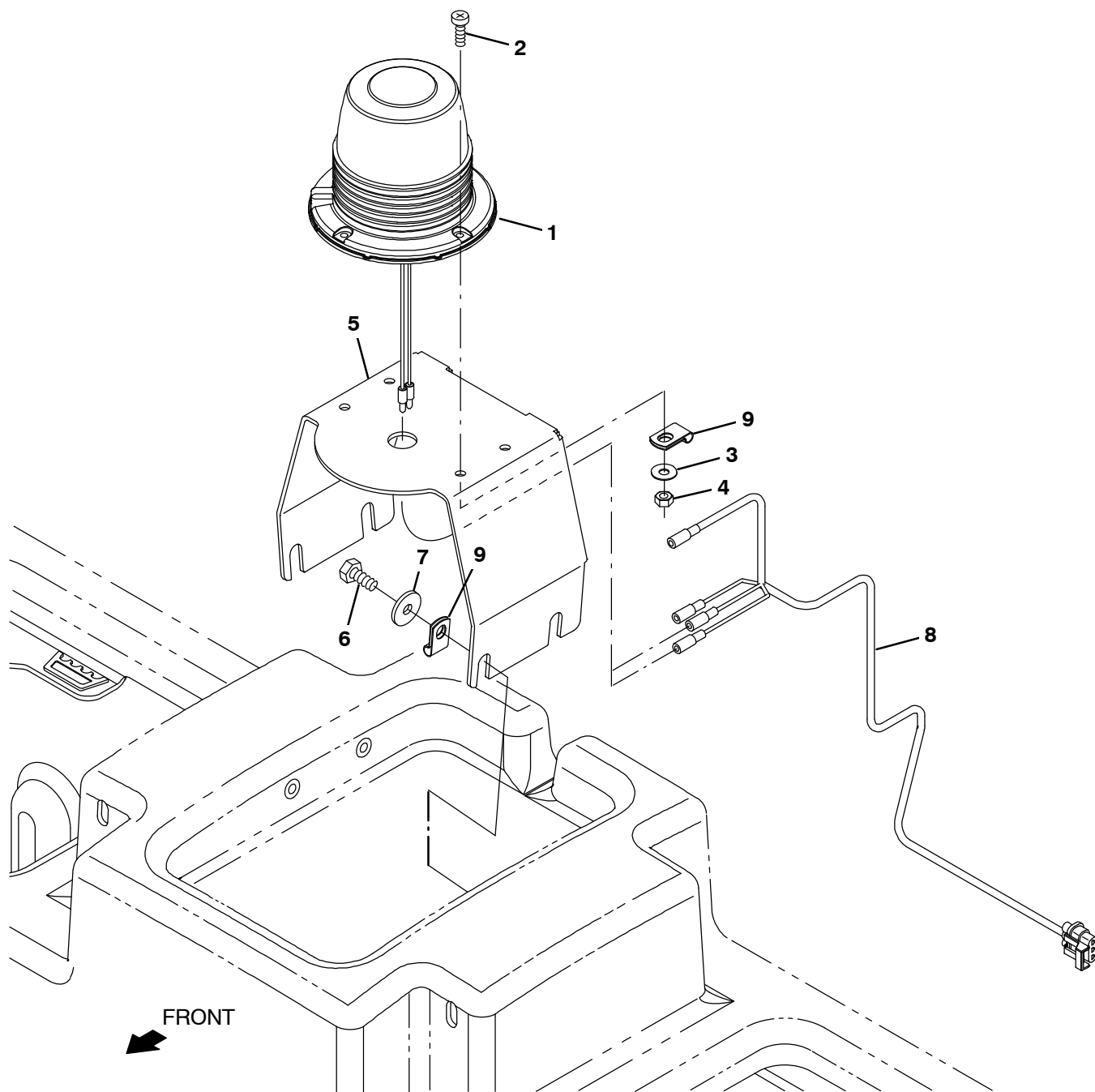


354475

Ref.	Part No.	Serial Number	Description	Qty.
▽	9001327	(008000– )	Light Kit, Flsh, Ci [M20 And T20]	1
▲	1 1254294	(008000– )	Light, Strobe, Amb, Led	1
▲	383820	(008000– )	Terminal, Bullet, Mal, .156d, 22–18ga	2
▲	2 24196	(008000– )	Screw, Pan, Phl, M5 X 0.80 X 20, Ss	2
▲	3 19066	(008000– )	Washer, Flat, 10	2
▲	4 09739	(008000– )	Nut, Hex, Lock, M5 X 0.80, NI, Ss	2
▲	5 1019445	(008000– )	Bracket, Sppt, Strobe Light	1
▲	6 09740	(008000– )	Screw, Hex, M8 X 1.25 X 20, Ss	4
▲	7 1017218	(008000– )	Washer, Flat, 0.32b 1.00d .12, Ss	4
▲	8 1019971	(008000– )	Harness, Warning / Backup [M20 & T20]	1
▲	9 46236	(008000– )	Clamp, Cable, Stl, 0.25D X 0.56W, 1Hole	2



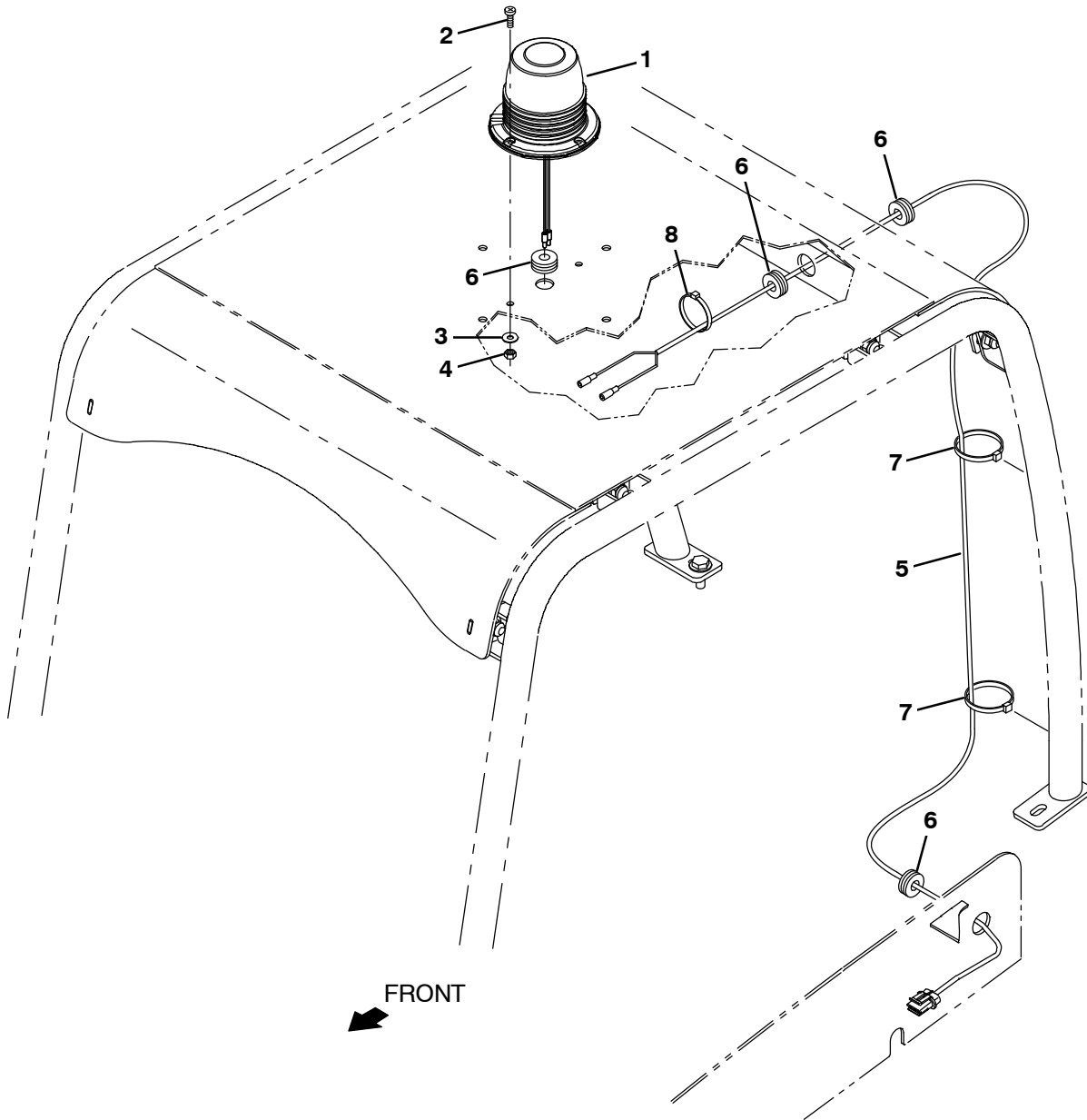
Fig. 23 - Light Kit, Strobe



354475

Ref.	Part No.	Serial Number	Description	Qty.
▽	9001331	(008000-	) Light Kit, Strobe, Ci [M20 And T20]	1
▲	1 1254294	(008000-	) Light, Strobe, Amb, Led	1
▲	383820	(008000-	) Terminal, Bullet, Mal, .156d, 22-18ga	2
▲	2 24196	(008000-	) Screw, Pan, Phl, M5 X 0.80 X 20, Ss	2
▲	3 19066	(008000-	) Washer, Flat, 10	2
▲	4 09739	(008000-	) Nut, Hex, Lock, M5 X 0.80, NI, Ss	2
▲	5 1019445	(008000-	) Bracket, Sppt, Strobel Light	1
▲	6 09740	(008000-	) Screw, Hex, M8 X 1.25 X 20, Ss	4
▲	7 1017218	(008000-	) Washer, Flat, 0.32b 1.00d .12, Ss	4
▲	8 1019971	(008000-	) Harness, Warning / Backup [M20 & T20]	1
▲	9 46236	(008000-	) Clamp, Cable, Stl, 0.25D X 0.56W, 1Hole	2

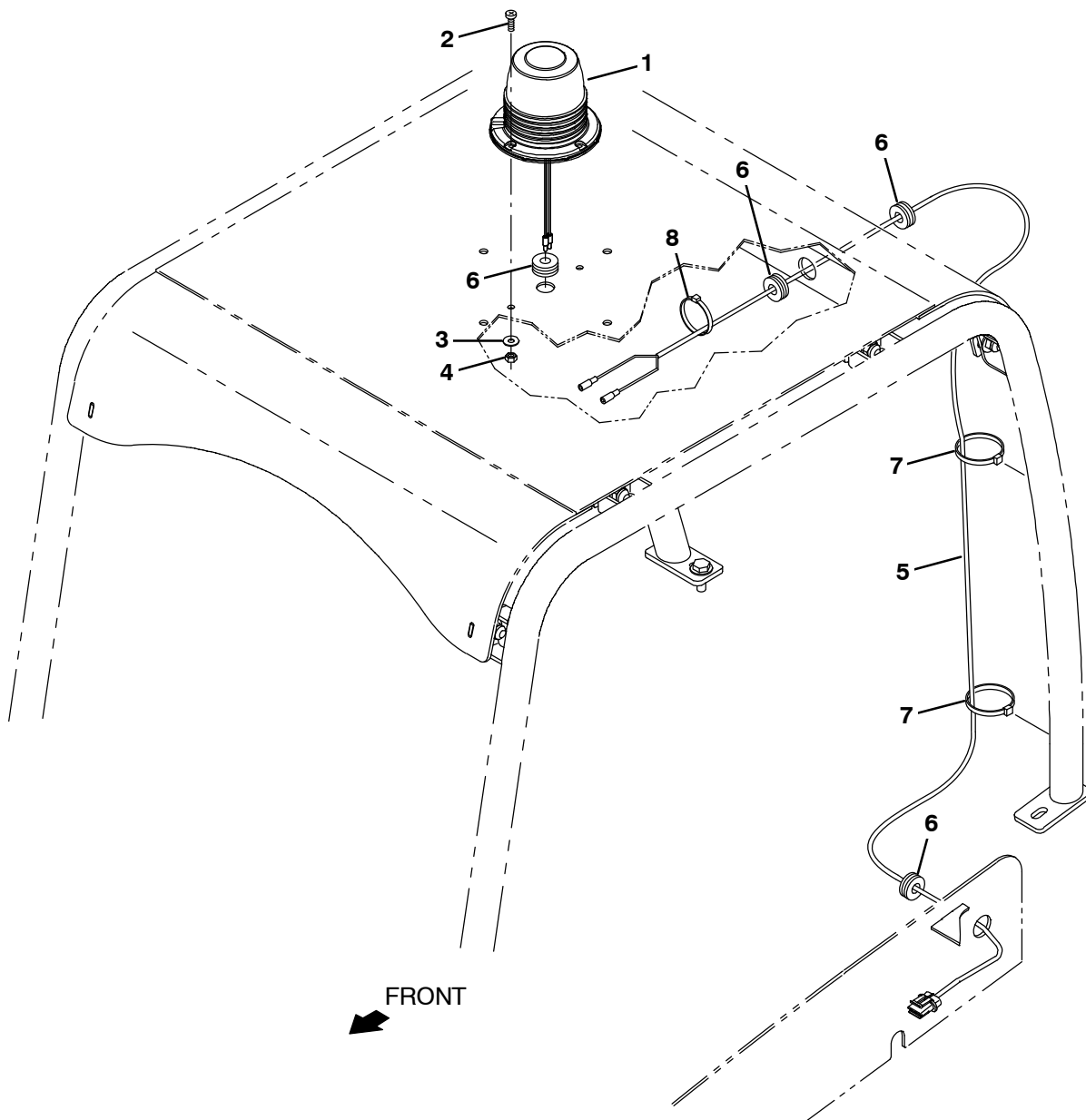
**Fig. 24 – Light Kit, Flashing Overhead Guard**



354477

Ref.	Part No.	Serial Number	Description	Qty.
▽	9001718	(008000–	) Light Kit, Flsh, W/Ohg, Ci[M20 And T20]	1
▲	1 1254294	(008000–	) Light, Strobe, Amb, Led	1
▲	383820	(008000–	) Terminal, Bullet, Mal, .156d, 22–18ga	2
▲	2 24196	(008000–	) Screw, Pan, Phl, M5 X 0.80 X 20, Ss	2
▲	3 19066	(008000–	) Washer, Flat, 10	2
▲	4 09739	(008000–	) Nut, Hex, Lock, M5 X 0.80, NI, Ss	2
▲	5 1019647	(008000–	) Harness, Warning / Ohg [M20]	1
▲	6 10632–17	(008000–	) Grommet, Rbr, 0.50id, F/0.8h, .12 Matl	4
▲	7 763115	(008000–	) Tie, Cable, 6.0l, 1.25d Max	4
▲	8 49266	(008000–	) Tie, Cable, Nyl, 07.3l .19w 1.8 Max D	2

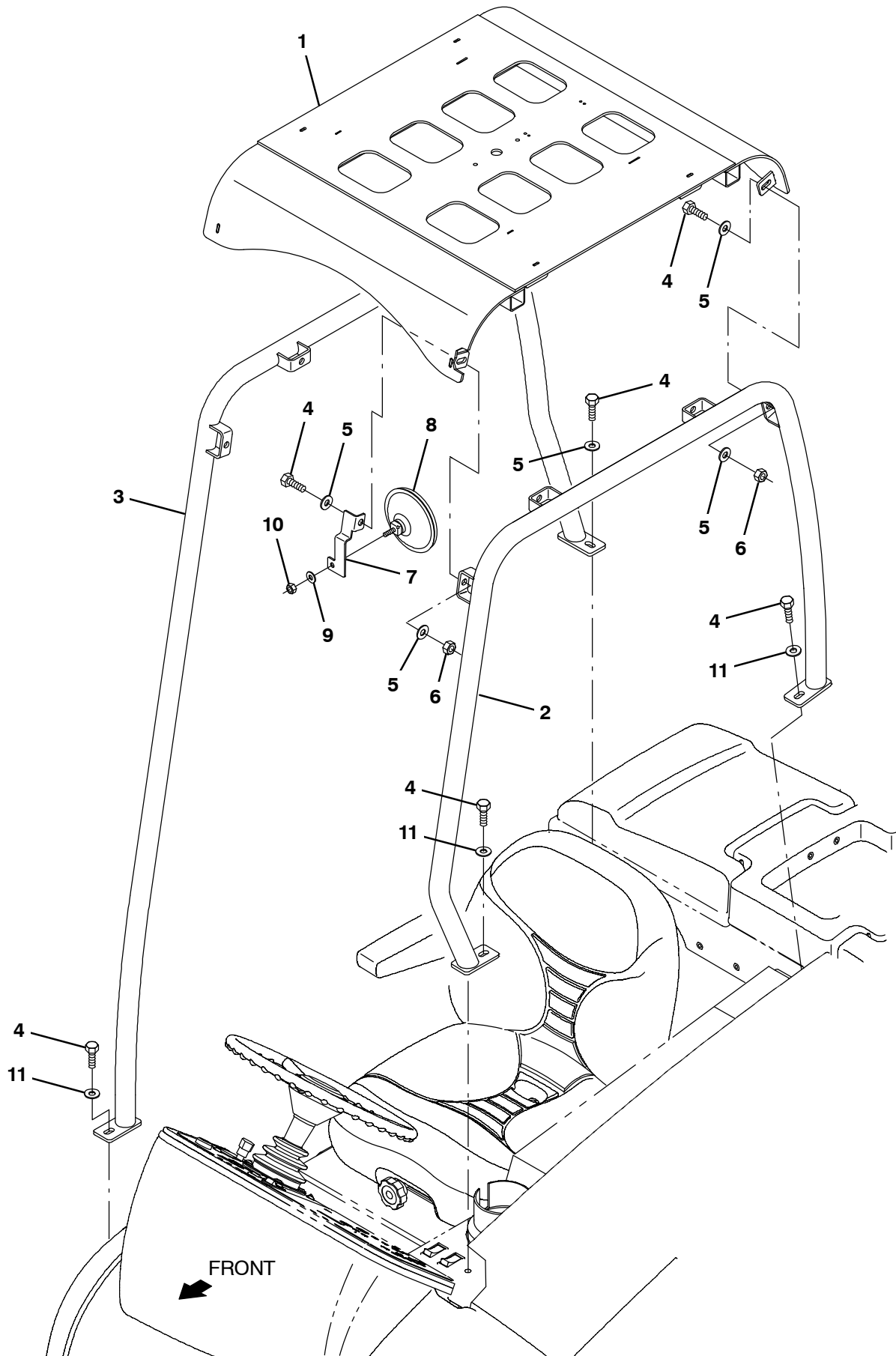
Fig. 25 – Light Kit, Strobe Overhead Guard



354477

Ref.	Part No.	Serial Number	Description	Qty.
▽	9001717	(008000–	) Light Kit, Strobe, W/Ohg, Ci [M20 And T20]	1
▲	1 1254294	(008000–	) Light, Strobe, Amb, Led	1
▲	383820	(008000–	) Terminal, Bullet, Mal, .156d, 22–18ga	2
▲	2 24196	(008000–	) Screw, Pan, Phl, M5 X 0.80 X 20, Ss	2
▲	3 19066	(008000–	) Washer, Flat, 10	2
▲	4 09739	(008000–	) Nut, Hex, Lock, M5 X 0.80, NI, Ss	2
▲	5 1019647	(008000–	) Harness, Warning / Ohg [M20]	1
▲	6 10632–17	(008000–	) Grommet, Rbr, 0.50id, F/0.8h, .12 Matl	4
▲	7 763115	(008000–	) Tie, Cable, 6.0l, 1.25d Max	4
▲	8 49266	(008000–	) Tie, Cable, Nyl, 07.3l .19w 1.8 Max D	2

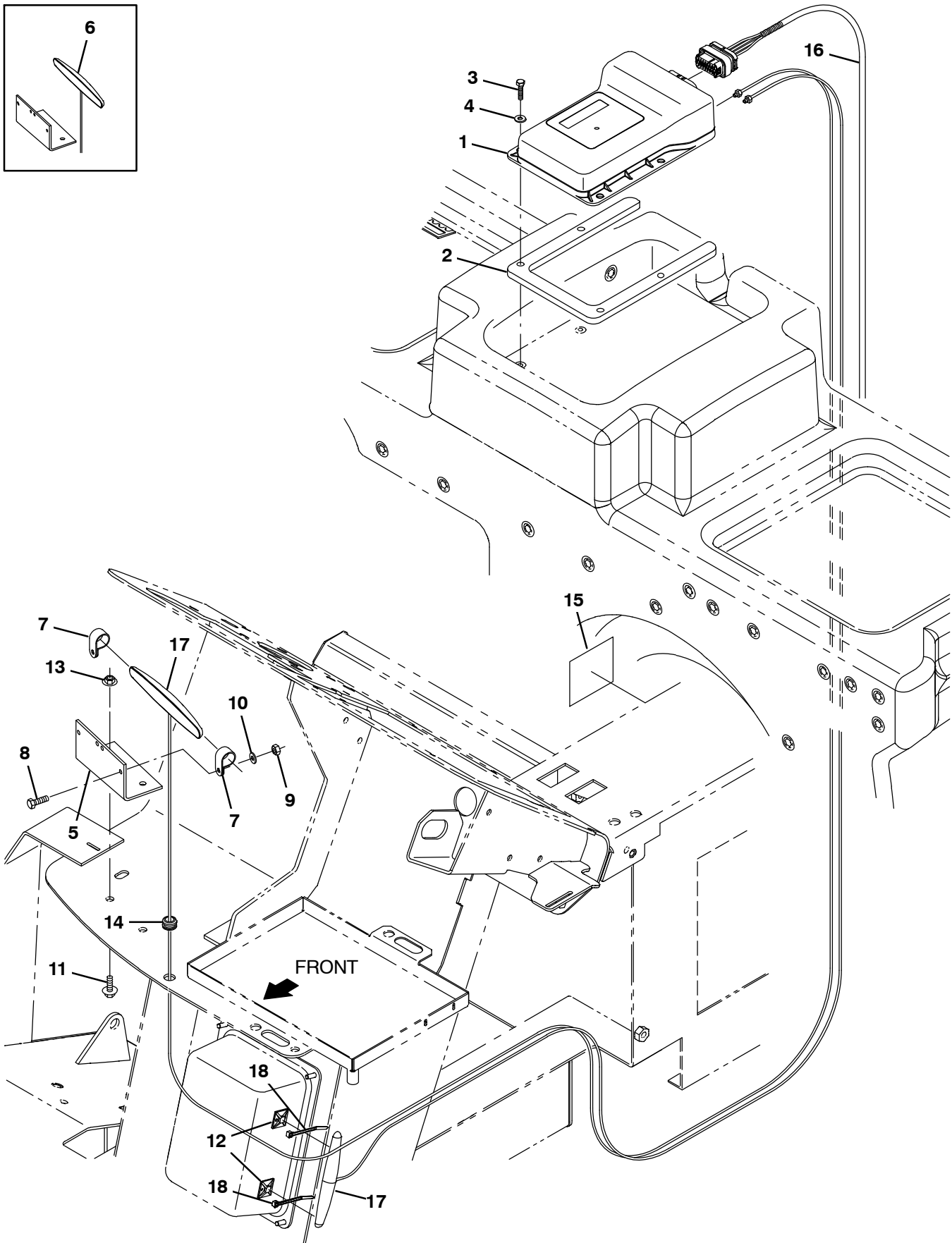
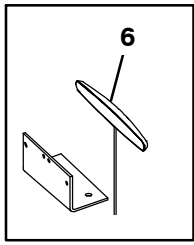
Fig. 26 – Overhead Guard Kit



**Fig. 26 – Overhead Guard Kit**

	<b>Ref.</b>	<b>Part No.</b>	<b>Serial Number</b>	<b>Description</b>	<b>Qty.</b>
▽		9001314	(008000–	) Ohg Kit, Ci [M20 And T20]	1
▲	1	1022276	(008000–	) Guard Wldt, Top, Ohg	1
▲	2	1069241	(008000–	) Tube Wldt, Leg, Ohg, Lh, Pntd	1
▲	3	1069253	(008000–	) Tube Wldt, Leg, Ohg, Rh, Pntd	1
▲	4	03192	(008000–	) Screw, Hex, M10 X 1.5 X 30, 8.8	12
▲	5	32492	(008000–	) Washer, Flat, 0.38 Std	17
▲	6	41430	(008000–	) Nut, Hex, Lock, M10 X 1.5, NI	8
▲	7	1023879	(008000–	) Bracket, Mtg, Mirror, Rearview	1
▲	8	1050295	(008000–	) Mirror, Convex, 0.50D	1
▲	9	32491	(008000–	) Washer, Flat, 0.31, Std	1
▲	10	19313	(008000–	) Nut, Hex, Std, .31–18	1
▲	11	1014563	(008000–	) Washer, Flat, 0.40b 1.12d .12, Ss	3

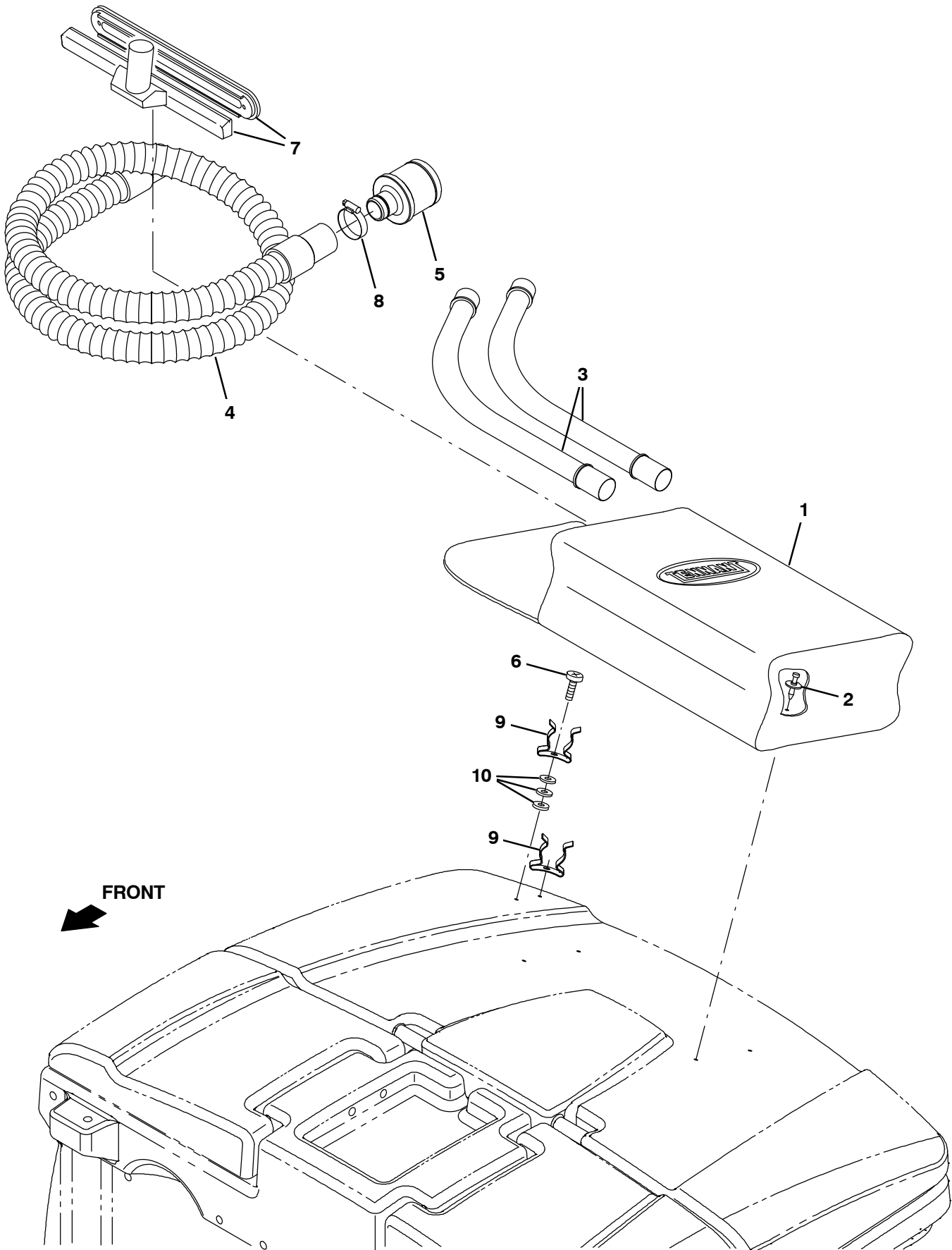
Fig. 27 - Telemetry Group



**Fig. 27 - Telemetry Group**

<b>Ref.</b>	<b>Part No.</b>	<b>Serial Number</b>	<b>Description</b>	<b>Qty.</b>
1	9010085	(008000-	) Control Box Assy Kit, Replmt, Telem [USA]	1
1	9010086	(008000-	) Control Box Assy Kit, Replmt, Telem [CAN]	1
2	1071062	(008000-	) Bracket, Spacer, Controlbox	1
3	09252	(008000-	) Screw,Hex, M5 X 0.80 X 29, 8.8	4
4	01683	(008000-	) Washer, Flat, 10, Ss	4
5	1070402	(008000-	) Angle, mtg, Antenna, Telem	1
6	1070659	(008000-011777	) Antenna, Telem, 70 In [Gprs]	1
7	140916	(008000-	) Clamp, Cable, Nyl, 0.62D, Nat	2
8	09244	(008000-	) Screw, Hex, M5 X 0.80 X 16, 8.8	2
9	06549	(008000-	) Nut, Hex, Lock, M5 X 0.80, NI	2
10	19066	(008000-	) Washer, Flat, 0.25b 0.56d .05, PI, 10	2
11	1040467	(008000-	) Screw, Hex, H6 X 1.00 X 20, 9.8, Sems	2
12	55248	(011778-	) Mount, Cable Tie	2
13	07790	(008000-	) Nut, Hex, FIng, M6 X 1.00	2
14	10632-12	(008000-	) Grommet, Rbr, 0.38id, F/0.5H, .12 Matl	1
15	1069580	(008000-	) Label, Opertnl, Telem [Fcc/lc]	1
16	1075143	(008000-	) Harness, Ele [Telem]	1
17	1248350	(011778-	) Antenna, Telem [4g, 180"]	2
18	763114	(011778-	) Tie, Cable, 11.3l, 2.75d Max	2

Fig. 28 – Vacuum Wand Kit





**Fig. 28 - Vacuum Wand Kit**

	<b>Ref.</b>	<b>Part No.</b>	<b>Serial Number</b>	<b>Description</b>	<b>Qty.</b>
▽		9001334	(008000-	) Wand Kit, Vacuum, Ci [M20]	1
▲	1	65580	(008000-	) Bag, Power	1
▲	2	72968	(008000-	) Rivet, Plstc, .250d X 0.90	4
▲	3	190722	(008000-	) Wand, Chm, Dbl Bend [1 Pk= 1 Box Of 2pc]	1
▲	4	86767	(008000-	) Hose Assy, W/2cuff, 1.5d 090l 1.5/1.5	1
▲	5	1029396	(008000-	) Fitting, Alm, Str, Bm24/Bm48	1
▲	6	55845	(008000-	) Screw, Hex, M5 X 0.80 X 16, Fmg	2
▲	7	13840	(008000-	) Nozzle Assy, Tool, Wand, 14.0 Inch	1
▲	8	79381	(008000-	) Clamp, Hose, Wormdrive, 1.25-2.00d, .50w	1
▲	9	67004	(008000-	) Clip, Grip, Finger, 1.00-1.88d White,Vyl	2
▲	10	19064	(008000-	) Washer, Flat, 06	6

**Fig. 29 – Spray Nozzle Kit (008000-014000)**

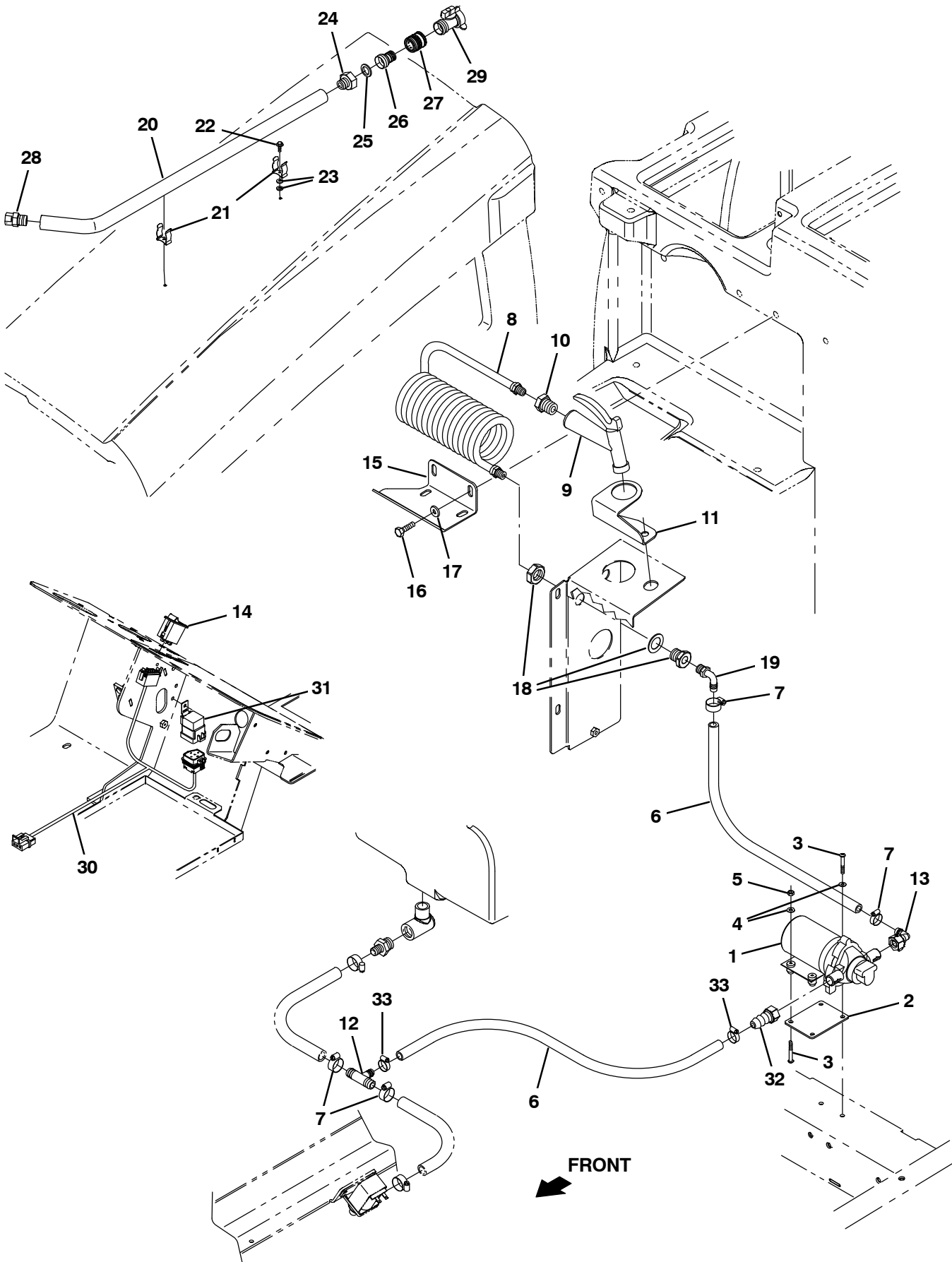
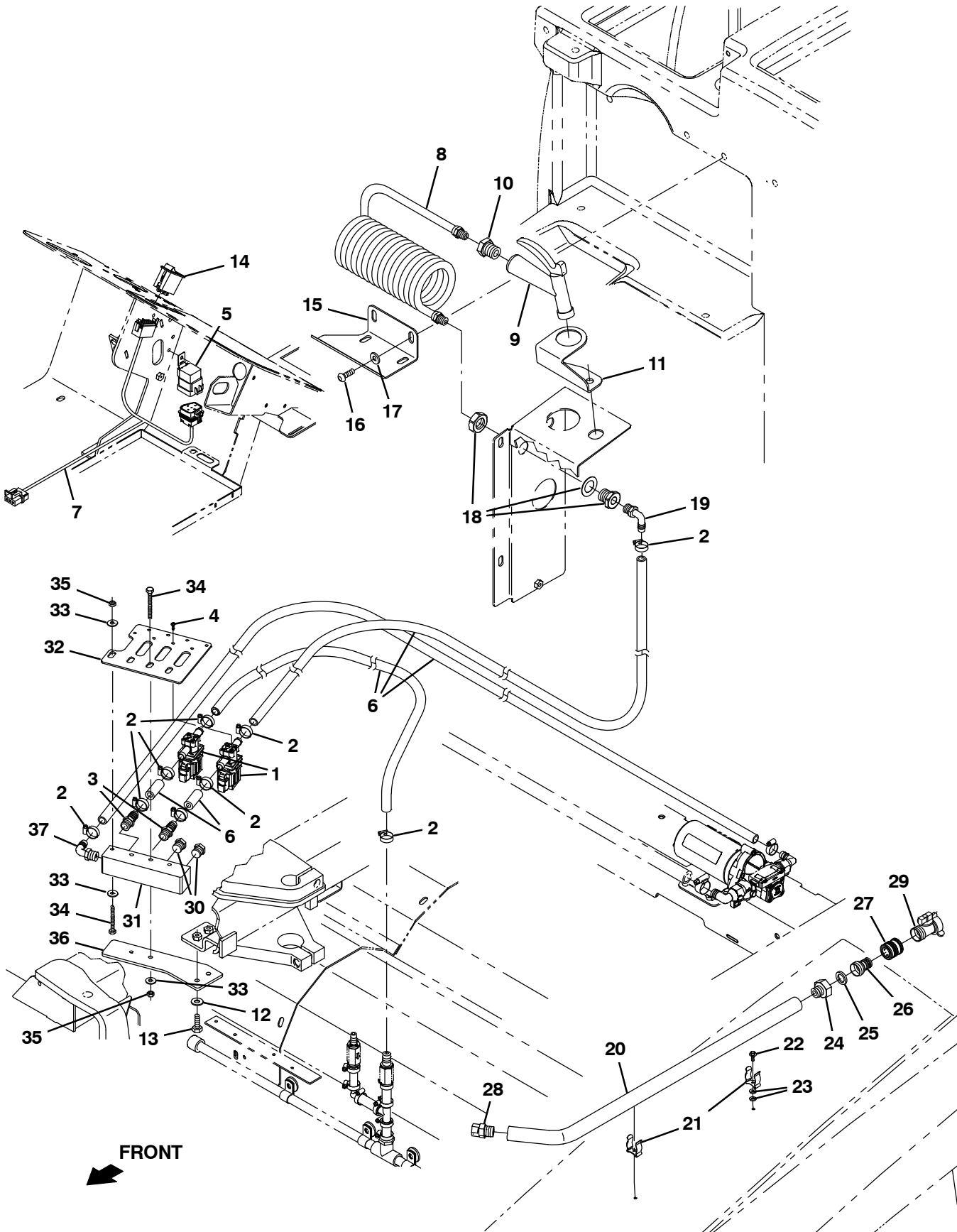


Fig. 29 – Spray Nozzle Kit (008000–014000)

Ref.	Part No.	Serial Number	Description	Qty.
▽	9001310	(008000–014000 )	Nozzle Kit, Spray, Ci	1
▲	1 1026743	(008000–014000 )	Pump, Diaphragm (See Breakdowns)	1
▲	2 1027007	(008000–014000 )	Plate, Mtg, Pump	1
▲	3 06939	(008000–014000 )	Screw, Pan, M5 X 0.80 X 45, 4.8	4
▲	4 19066	(008000–014000 )	Washer, Flat, #10	4
▲	5 06549	(008000–014000 )	Nut, Hex, Lock, M5 X 0.80, NI	2
▲	6 1015045	(008000–014000 )	Hose, Afmkt, Pvc, Brd, 0.75id, 08ft, Clr	1
▲	7 63810	(008000–014000 )	Clamp, Hose, Wormdrive, 0.56–1.06d, .56w	4
▲	8 1019250	(008000–014000 )	Hose, Water, Coil	1
▲	9 769785	(008000–014000 )	Nozzle, Spray, Gun	1
▲	10 1027976	(008000–014000 )	Fitting, Brs, Str, Pf06/Pm12	1
▲	11 1027237	(008000–014000 )	Bracket, Mtg, Spray Handle	1
▲	12 1015486	(007260–012xxx )	Fitting, Plstc, Tee, Bm08/Bm10/Bm10, Br	1
▲	13 1018499	(008000–014000 )	Fitting, Plstc, E90, Bm08/Pf08s, Swivel	1
▲	14 398500	(008000–014000 )	Switch, Rocker, Dpdt On/None/On	1
▲	15 1029790	(008000–014000 )	Bracket, Mtg, Spray Wand [FaST, Conv]	1
▲	16 09740	(008000–014000 )	Screw, Hex, M8 X 1.25 X 20, Ss	2
▲	17 1017218	(008000–014000 )	Washer, Flat, 0.32b 1.00d .12, Ss	2
▲	18 1027978	(008000–014000 )	Fitting, Brs, Str, Pf06/Pf06 Bh	1
▲	19 64778	(008000–014000 )	Fitting, Plstc, E90, Bm08/Pm06	1
▲	20 1029055	(008000–014000 )	Wand, Clean-Out	1
▲	21 1029057	(008000–014000 )	Clip, Grip, Finger, .875–1.25	2
▲	22 20394	(008000–014000 )	Screw, Hex, #10–16 X 0.62, Fmg [Ab]	2
▲	23 01683	(008000–014000 )	Washer, Flat, #10, Ss	4
▲	24 375321	(008000–014000 )	Fitting, Brs, Str, Pm08/Garden Hose	1
▲	25 01316	(008000–014000 )	Washer, Flat, 0.66b 1.00d .12, Rbr	1
▲	26 1029153	(008000–014000 )	Nipple, Hose	1
▲	27 1029155	(008000–014000 )	Coupling, Nozzle, Spray	1
▲	28 1029156	(008000–014000 )	Nozzle	1
▲	29 1029399	(008000–014000 )	Valve, Shutoff	1
▲	30 1021881	(008000–014000 )	Harness, Spray, Nozzle	1
▲	31 56186	(008000–014000 )	Relay, 12vdc, 40a, Spdt N/O	1
▲	32 1018495	(008000–014000 )	Fitting, Plstc, Str, Bm08/Pf08s, Swivel	1
▲	33 54333	(008000–014000 )	Clamp, Hose, Wormdrive, 0.31–0.88d, .31w	2

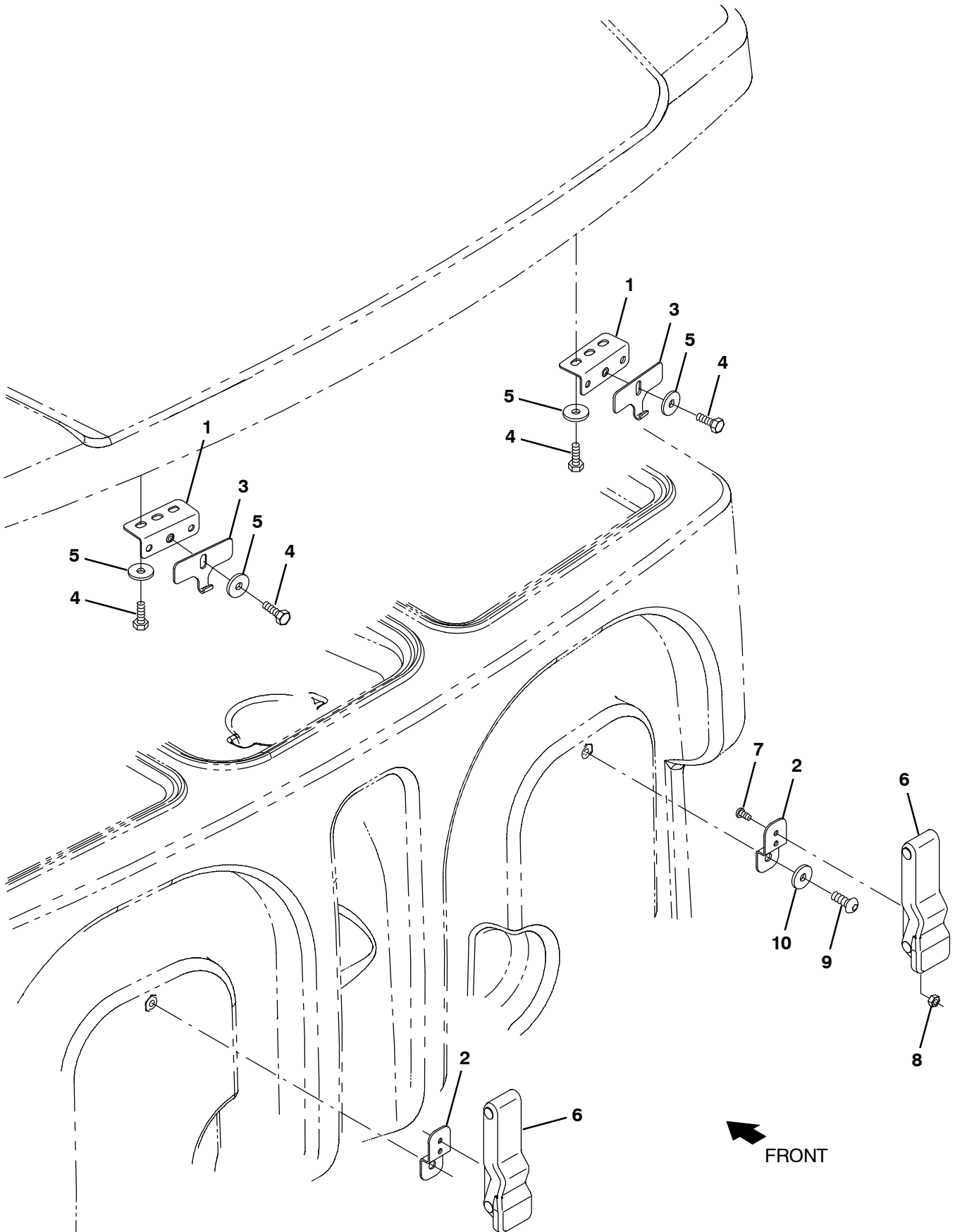
**Fig. 30 – Spray Nozzle Group (014001- )**



**Fig. 30 - Spray Nozzle Group (014001- )**

<b>Ref.</b>	<b>Part No.</b>	<b>Serial Number</b>	<b>Description</b>	<b>Qty.</b>
1	1076870	(014001-	) Valve, Water, Solenoid [12vdc, Bm08/Bm08	1
2	54333	(014001-	) Clamp, Hose, Wormdrive, 0.31-0.88d, .31w	8
3	64743	(014001-	) Fitting, Plstc, Str, Bm08/Pm06	2
4	1257563	(014001-	) Screw, Pan, Torx, 06- 19 X 0.38, F/ Plstc	4
5	56186	(014001-	) Relay, 12vdc, 40a, Spdt N/O	1
6	1011412	(014001-	) Hose, Afmkt, Pvc, Brd, 0.50id, 08ft, Clr	1
7	1076974	(014001-	) Harness, Spray, Nozzle	1
8	1019250	(014001-	) Hose, Water, Coil	1
9	769785	(014001-	) Nozzle, Spray, Gun	1
10	1027976	(014001-	) Fitting, Brs, Str, Pf06/Pm12	1
11	1027237	(014001-	) Bracket, Mtg, Spray Handle	1
12	01685	(014001-	) Washer, Flat, 0.38b 0.88d .08, Ss	2
13	09010	(014001-	) Screw, Hex, M8 X 1.25 X 25, Ss	2
14	398500	(014001-	) Switch, Rocker, Dpdt On/None/On	1
15	1029790	(014001-	) Bracket, Mtg, Spray Wand [FaST, Conv]	1
16	393135	(014001-	) Screw, Btn, M8 X 1.25 X 20, Blk	2
17	32491	(014001-	) Washer, Flat, 0.31, Std	2
18	1027978	(014001-	) Fitting, Brs, Str, Pf06/Pf06 Bh	1
19	64778	(014001-	) Fitting, Plstc, E90, Bm08/Pm06	1
20	1029055	(014001-	) Wand, Clean- Out	1
21	1029057	(014001-	) Clip, Grip, Finger, .875- 1.25	2
22	20394	(014001-	) Screw, Hex, #10- 16 X 0.62, Fmg [Ab]	2
23	01683	(014001-	) Washer, Flat, #10, Ss	4
24	375321	(014001-	) Fitting, Brs, Str, Pm08/Garden Hose	1
25	01316	(014001-	) Washer, Flat, 0.66b 1.00d .12, Rbr	1
26	1029153	(014001-	) Nipple, Hose	1
27	1029155	(014001-	) Coupling, Nozzle, Spray	1
28	1029156	(014001-	) Nozzle	1
29	1029399	(014001-	) Valve, Shutoff	1
30	630146	(014001-	) Fitting, Plug, Pm06, Hdpe	2
31	1254833	(014001-	) Manifold, Soln	1
32	1254856	(014001-	) Plate, Manifold, Mtg	1
33	32490	(014001-	) Washer, Flat, 0.25, Std	6
34	1257800	(014001-	) Screw, Hex, M6 X 1.00 X 60, Ss, Fl	4
35	08712	(014001-	) Nut, Hex, Lock, M6 X 1.00, NI, Ss	4
36	1077124	(014001-	) Bracket, Manifold, Stratus	1
37	64778	(014001-	) Fitting, Plstc, E90, Bm08/Pm06	1

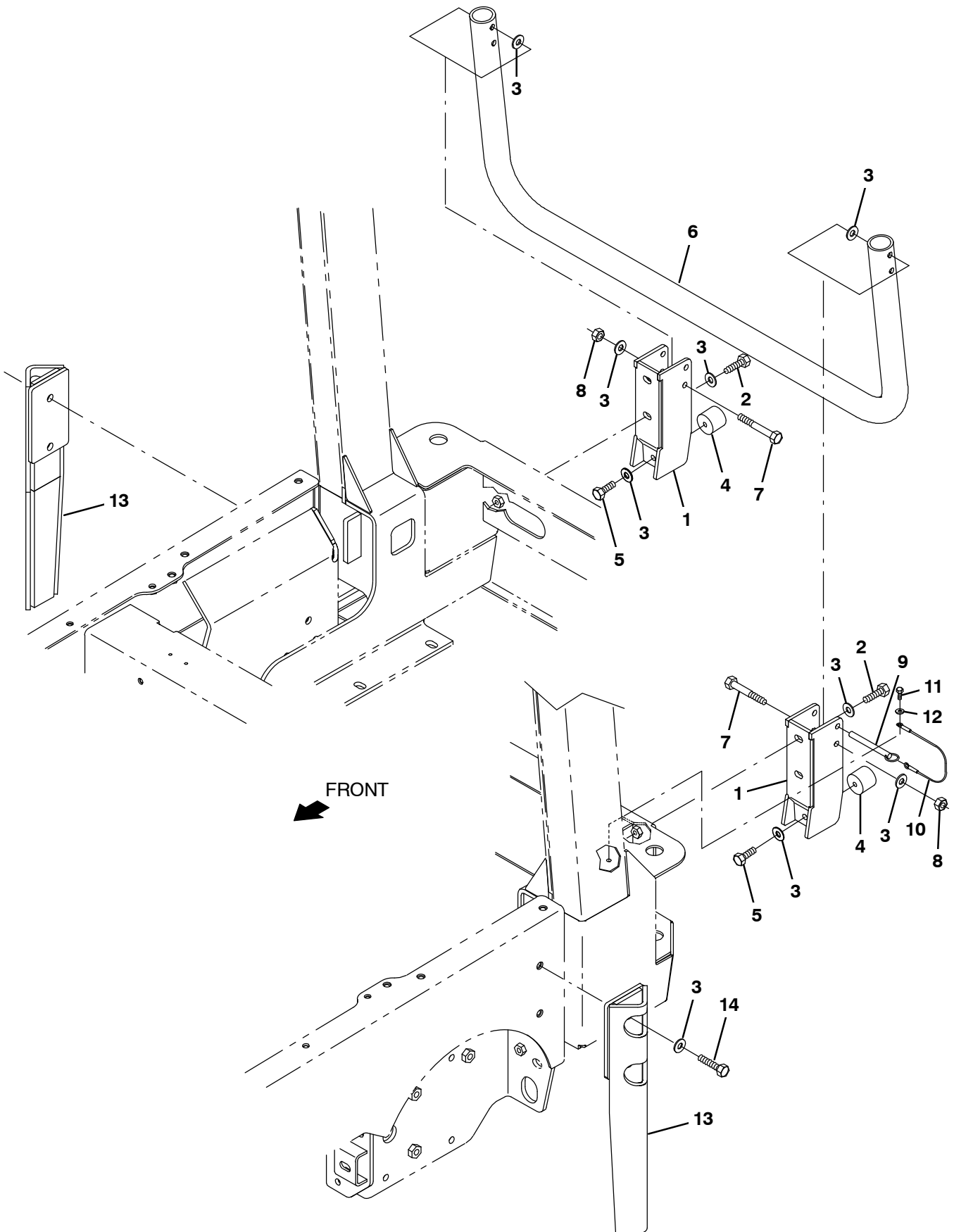
Fig. 31 – Transport Kit



**Fig. 31 – Transport Kit**

	<b>Ref.</b>	<b>Part No.</b>	<b>Serial Number</b>	<b>Description</b>	<b>Qty.</b>
▽		9014867	(008000–	) Transport Kit, Ci [M20/M30}	1
▲	1	1040800	(008000–	) Bracket, Latch, Cover	2
▲	2	1020526	(008000–	) Bracket, Retaining, Hose	2
▲	3	1040634	(008000–	) Plate, Hook, Latch	2
▲	4	09744	(008000–	) Screw, Hex, M6 X 1.00 X 12, Ss	6
▲	5	01684	(008000–	) Washer, Flat, 0.27b 0.69d .05, Ss	6
▲	6	1222019	(008000–	) Latch, Yellow	2
▲	7	09200	(008000–	) Screw, Pan, Phl, M5 X 0.80 X 12, Ss	4
▲	8	09739	(008000–	) Nut, Hex, Lock, M5 X 0.80, NI, Ss	4
▲	9	393135	(008000–	) Screw, Btn, M8 X 1.25 X 20, Blk	2
▲	10	32491	(008000–	) Washer, Flat, 0.31, Std	2

Fig. 32 – Squeegee Guard Kit

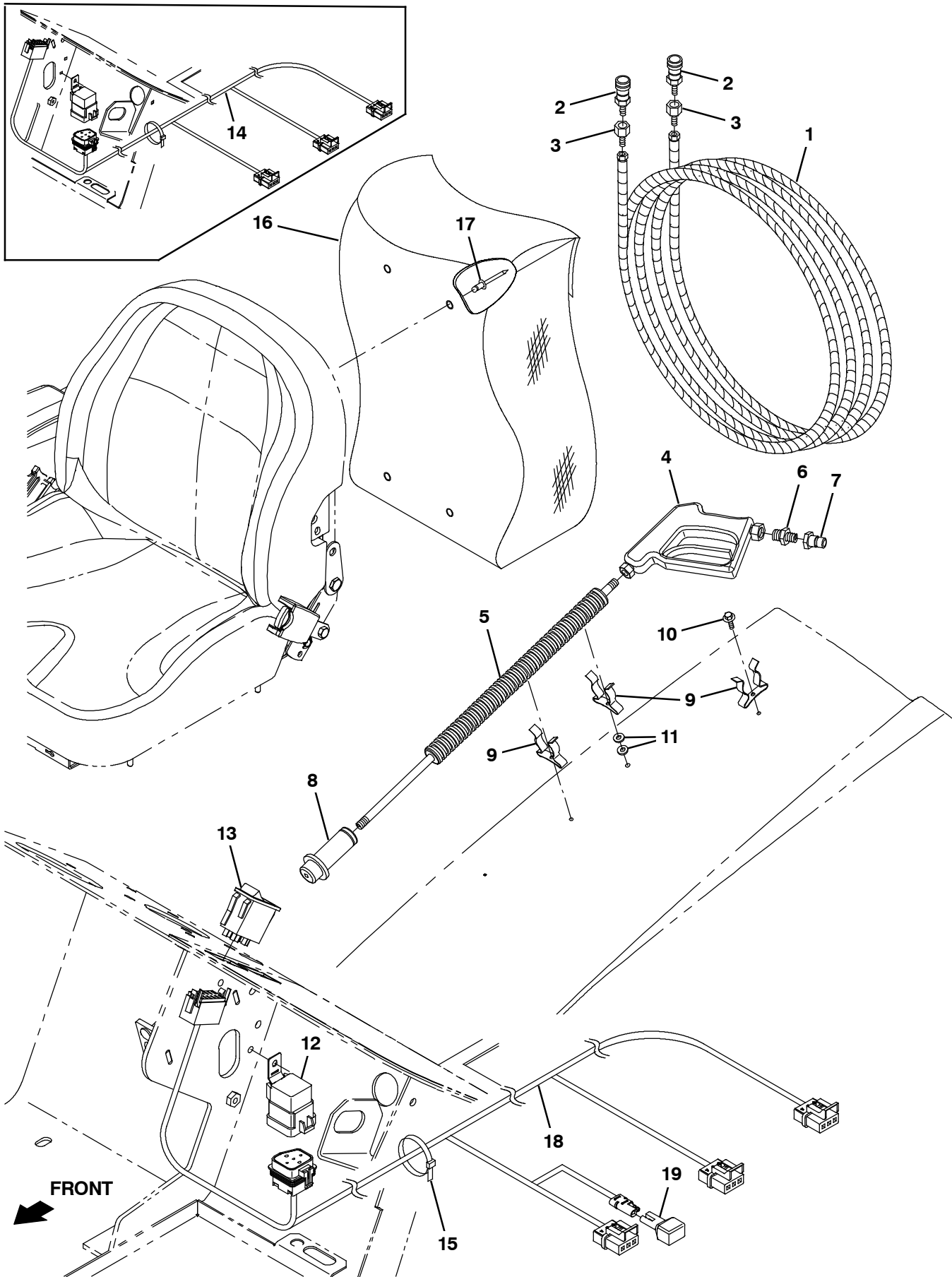




**Fig. 32 - Squeegee Guard Kit**

	<b>Ref.</b>	<b>Part No.</b>	<b>Serial Number</b>	<b>Description</b>	<b>Qty.</b>
▽		9001338	(008000-	) Guard Kit, Sqge, Ci [M20]	1
▲	1	1027560	(008000-	) Bracket Wldt, Guard, Sqge	2
▲	2	39284	(008000-	) Screw, Hex, M10 X 1.5 X 35, 8.8	4
▲	3	32492	(008000-	) Washer, Flat, 0.38 Std	14
▲	4	1024977	(008000-	) Bumper, Ure, 1.50d 1.25l	2
▲	5	21196	(008000-	) Screw, Hex, .38-16 X 0.88, 5	2
▲	6	1054338	(008000-	) Guard Wldt, Sqge	1
▲	7	06965	(008000-	) Screw, Hex, M10 X 1.5 X 80, 8.8	2
▲	8	41430	(008000-	) Nut, Hex, Lock, M10 X 1.5, NI	2
▲	9	369359	(008000-	) Pin, Hitch, .375d X 3.12l, PI	1
▲	10	57702	(008000-	) Cable, Glv .06d 012.0l .26eye /.26eye	1
▲	11	09738	(008000-	) Screw, Hex, M5 X 0.8 X 12, Ss	1
▲	12	01683	(008000-	) Washer, Flat, #10, Ss	1
▲	13	1045444	(008000-	) Guard Wldt, Sqge [M20/T20/M30]	2
▲	14	06962	(008000-	) Screw, Hex, M10 X 1.5 X 45, 8.8	4

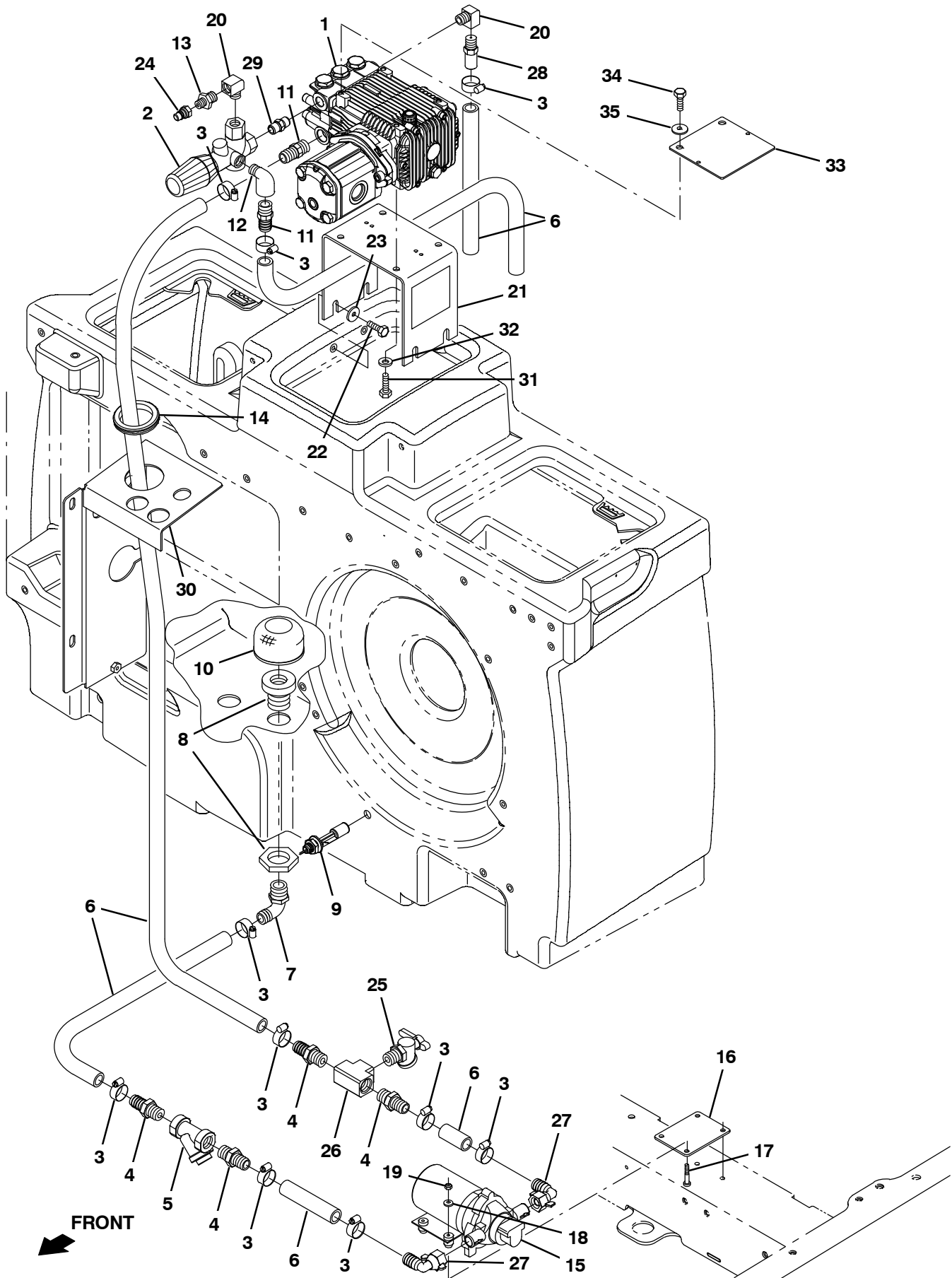
Fig. 33 - Pressure Washer Mount Group



**Fig. 33 – Pressure Washer Mount Group**

<b>Ref.</b>	<b>Part No.</b>	<b>Serial Number</b>	<b>Description</b>	<b>Qty.</b>
1	1039056	(008000–	) Hose, Rbr, 25ft	1
2	1042051	(008000–	) Fitting, Ss, Qdc, Fem	2
3	1259146	(008000–	) Fitting, Swivel, Str, Pf06/Pm04, Stl	2
4	1039042	(008000–	) Handle, Gun, Trigger	1
5	1039044	(008000–	) Wand, Str, Ss, 28l	1
6	1044428	(008000–	) Fitting, Brs, Str, Pm04/Pm06 [Hp]	1
7	1042191	(008000–	) Fitting, Ss, Qdc, Mal	1
8	1041935	(008000–	) Nozzle, Spray [Pressure Washer]	1
9	67004	(008000–	) Clip, Grip, Finger, 1.00–1.88d White,Vyl	3
10	20394	(008000–	) Screw, Hex, 10–16 X 0.62, Fmg/Ab, Pl	3
11	01683	(008000–	) Washer, Flat, 10, Ss	6
12	56186	(008000–	) Relay, 12vdc, 040a, Spdt No	1
13	1040899	(008000–	) Switch, Rocker, Prgrsv	1
14	1074983	(008000–014000	) Harness, Ele [Press. Wash]	1
15	49266	(008000–	) Tie, Cable, Nyl, 07.3l .19w 1.8 Max D	5
16	65580	(008000–	) Bag, Power	1
17	72968	(008000–	) Rivet, Plstc, .250D X 0.90	2
18	1076975	(014001–	) Harness, Ele [Press. Wash]	1
19	222290	(014001–	) Diode, Ele, Plug	1

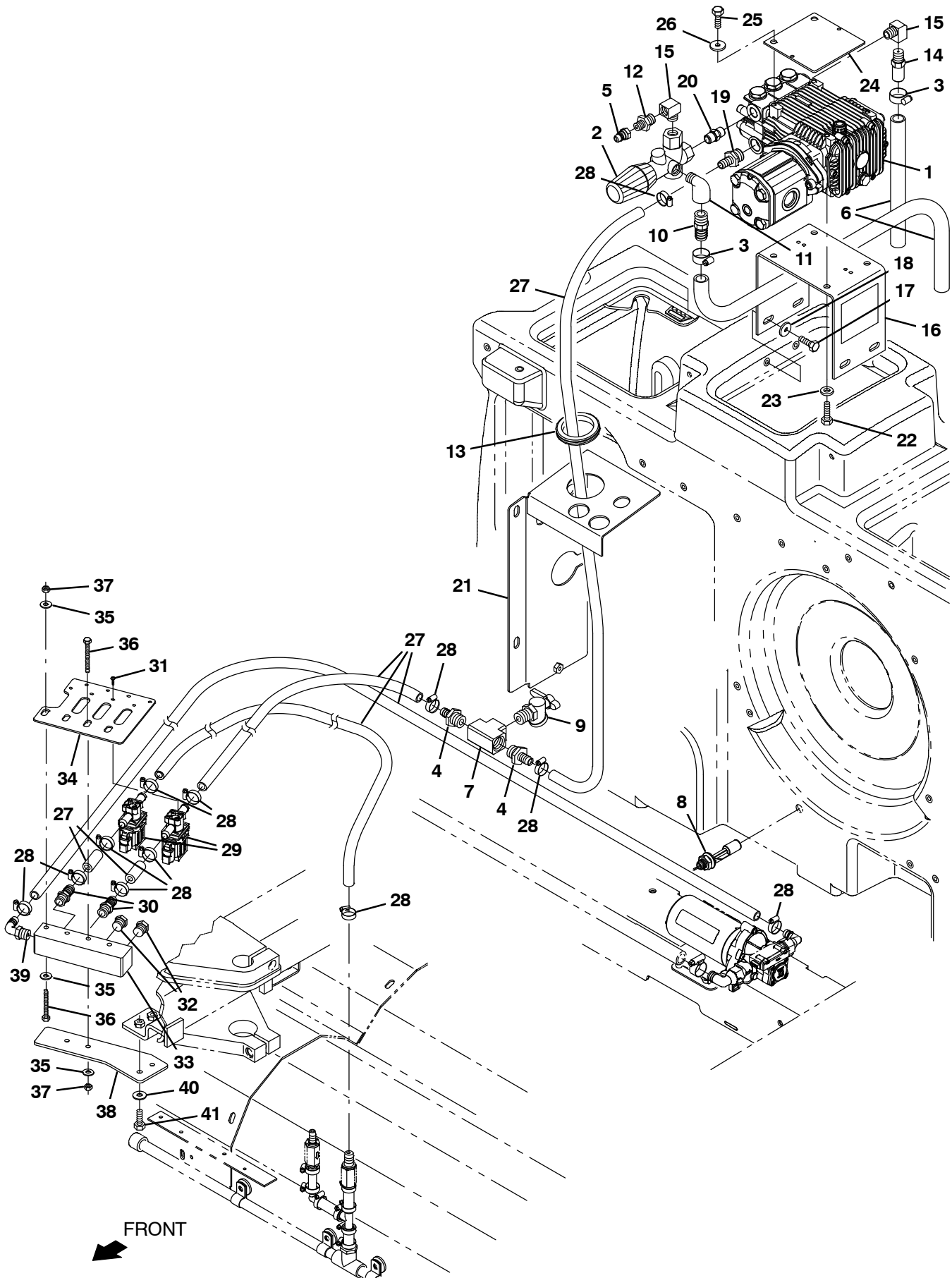
**Fig. 34 - Pressure Washer Solution Group (008000-014000)**



**Fig. 34 – Pressure Washer Solution Group (008000–014000)**

Ref.	Part No.	Serial Number	Description	Qty.
1	1225829	(008000–014000 )	Pump, Hyd, Press Washer	1
2	1039046	(008000–014000 )	Valve, Needle	1
3	63810	(008000–014000 )	Clamp, Hose, Wormdrive, 0.56–1.06d, .56w	10
4	377334	(008000–014000 )	Fitting, Brs, Str, Bm12/Pm12	4
5	1039037	(008000–014000 )	Filter, Y, In-Line, .75	1
6	1045034	(008000–014000 )	Hose, Afmkt, Pvc, Wir, 0.75id, 08ft, Clr	1
7	1041351	(008000–014000 )	Fitting, Brs, E90, Bm12/Pm12	1
8	377349	(008000–014000 )	Fitting, Plstc, Pf12/Pf12, Bh	1
9	385685	(008000–014000 )	Sensor, Level, Liq, 14vdc 01a .62–11	1
10	1027290	(008000–014000 )	Filter, Soltn, 020mesh, Pm12 3.1d 02.6l	1
11	1042859	(008000–014000 )	Fitting, Brs, Str, Bm12/Pm08	2
12	1042579	(008000–014000 )	Fitting, Brs, E90, Pf08/Pm06	1
13	1044428	(008000–014000 )	Fitting, Brs, Str, Pm04/Pm06 [Hp]	1
14	10632–19	(008000–014000 )	Grommet, Rbr, 2.13id, F/2.5h, .12 Matl	1
15	1026743	(008000–014000 )	Pump, Diaphragm	1
16	1027007	(008000–014000 )	Plate, Mtg, Pump	1
17	06939	(008000–014000 )	Screw, Pan, Phl, M5 X 0.80 X 45, 4.8	4
18	19066	(008000–014000 )	Washer, Flat, 0.25b 0.56d .05, Pl, 10	4
19	06549	(008000–014000 )	Nut, Hex, Lock, M5 X 0.80, NI	2
20	24584	(008000–014000 )	Fitting, Brs, E90, Pf06/Pm06, Spcl	2
21	9016315	(008000–014000 )	Bracket, Mtg, Pump, Hp, Replmt	1
22	15675	(008000–014000 )	Screw, Hex, M8 X 1.25 X 16, Ss	1
23	32491	(008000–014000 )	Washer, Flat, 0.31, Std	1
24	1042191	(008000–014000 )	Fitting, Ss, Qdc, Mal	1
25	1224328	(008000–014000 )	Valve, Drain, Pm12, Qtr Turn	1
26	1224329	(008000–014000 )	Fitting, Tee, Pf12/Pf12/Pf12, Brs	1
27	1231375	(008000–014000 )	Fitting, Plstc, E90, Bm12/Pf08	2
28	1227137	(008000–014000 )	Valve, Hyd, Press Washer	1
29	1224331	(008000–014000 )	Fitting, Brs, Str, Pm06/ Pm06	1
30	1225174	(008000–014000 )	Bracket Wldt, Mtg	1
31	16931	(008000–014000 )	Screw, Hex, M8 X 1.25 X 20, 8.8	3
32	1017218	(008000–014000 )	Washer, Flat, 0.32b 1.00d .12, Ss	3
33	1225146	(008000–014000 )	Plate, Mtg, Light, Hp Spray (Flashing or Strobe Light Option Only)	1
34	16931	(008000–014000 )	Screw, Hex, M8 X 1.25 X 20, 8.8 (Flashing or Strobe Light Option Only)	2
35	1017218	(008000–014000 )	Washer, Flat, 0.32b 1.00d .12, Ss (Flashing or Strobe Light Option Only)	2

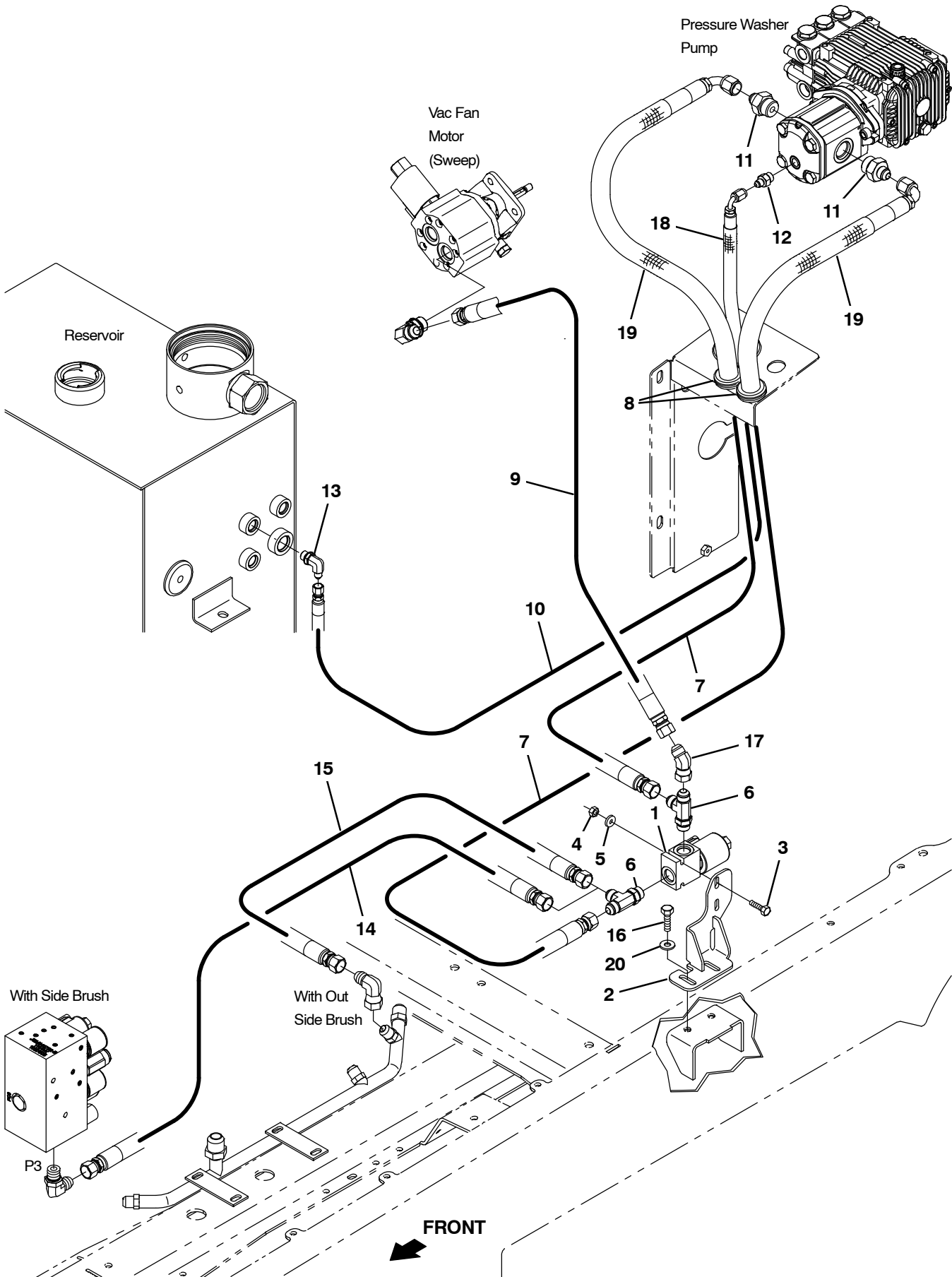
**Fig. 35 – Pressure Washer Solution Group (014001- )**



**Fig. 35 - Pressure Washer Solution Group (014001- )**

Ref.	Part No.	Serial Number	Description	Qty.
1	1225829	(014001-	) Pump, Hyd, Press Washer	1
2	1039046	(014001-	) Valve, Needle	1
3	63810	(014001-	) Clamp, Hose, Wormdrive, 0.56-1.06d, .56w	2
4	79273-1	(014001-	) Fitting, Plstc, Str, Bm08/Pm12	2
5	1042191	(014001-	) Fitting, Ss, Qdc, Mal	1
6	1045034	(014001-	) Hose, Afmkt, Pvc, Wir, 0.75id, 08ft, Clr	1
7	1224329	(014001-	) Fitting, Tee, Pf12/Pf12/Pf12, Brs	1
8	385685	(014001-	) Sensor, Level, Liq, 14vdc 01a .62-11	1
9	1224328	(014001-	) Valve, Drain, Pm12, Qtr Turn	1
10	1042859	(014001-	) Fitting, Brs, Str, Bm12/Pm08	1
11	1042579	(014001-	) Fitting, Brs, E90, Pf08/Pm06	1
12	1044428	(014001-	) Fitting, Brs, Str, Pm04/Pm06 [Hp]	1
13	10632-19	(014001-	) Grommet, Rbr, 2.13id, F/2.5h, .12 Matl	1
14	1227137	(014001-	) Valve, Hyd, Press Washer	1
15	24584	(014001-	) Fitting, Brs, E90, Pf06/Pm06, Spcl	2
16	9016315	(014001-	) Bracket, Mtg, Pump, Hp, Replmt	1
17	15675	(014001-	) Screw, Hex, M8 X 1.25 X 16, Ss	1
18	32491	(014001-	) Washer, Flat, 0.31, Std	1
19	79273-4	(014001-	) Fitting, Plstc, Str, Bm08/Pm08	1
20	1224331	(014001-	) Fitting, Brs, Str, Pm06/ Pm06	1
21	1225174	(014001-	) Bracket Wldt, Mtg	1
22	16931	(014001-	) Screw, Hex, M8 X 1.25 X 20, 8.8	3
23	1017218	(014001-	) Washer, Flat, 0.32b 1.00d .12, Ss	3
24	1225146	(014001-	) Plate, Mtg, Light, Hp Spray (Flashing or Strobe Light Option Only)	1
25	16931	(014001-	) Screw, Hex, M8 X 1.25 X 20, 8.8 (Flashing or Strobe Light Option Only)	2
26	1017218	(014001-	) Washer, Flat, 0.32b 1.00d .12, Ss (Flashing or Strobe Light Option Only)	2
27	1011835	(014001-	) Hose, Afmkt, Pvc, Brd, 0.50id, 20.0ft, Clr	1
28	54333	(014001-	) Clamp, Hose, Wormdrive, 0.31-0.88d, .31w	12
29	1076870	(014001-	) Valve, Water, Solenoid [12vdc, Bm08/Bm08]	2
30	64743	(014001-	) Fitting, Plstc, Str, Bm08/Pm06	2
31	1257563	(014001-	) Screw, Pan, Torx, 06-19 X 0.38, F/ Plstc	4
32	630146	(014001-	) Fitting, Plug, Pm06, Hdpe	2
33	1254833	(014001-	) Manifold, Soln	1
34	1254856	(014001-	) Plate, Manifold, Mtg	1
35	32490	(014001-	) Washer, Flat, 0.25, Std	6
36	1257800	(014001-	) Screw, Hex, M6 X 1.00 X 60, Ss, Fl	4
37	08712	(014001-	) Nut, Hex, Lock, M6 X 1.00, NI, Ss	4
38	1077124	(014001-	) Bracket, Manifold, Stratus	1
39	64778	(014001-	) Fitting, Plstc, E90, Bm08/Pm06	1
40	01685	(014001-	) Washer, Flat, 0.38b 0.88d .08, Ss	2
41	09010	(014001-	) Screw, Hex, M8 X 1.25 X 25, Ss	2

Fig. 36 – Pressure Washer Hydraulic Hoses Group

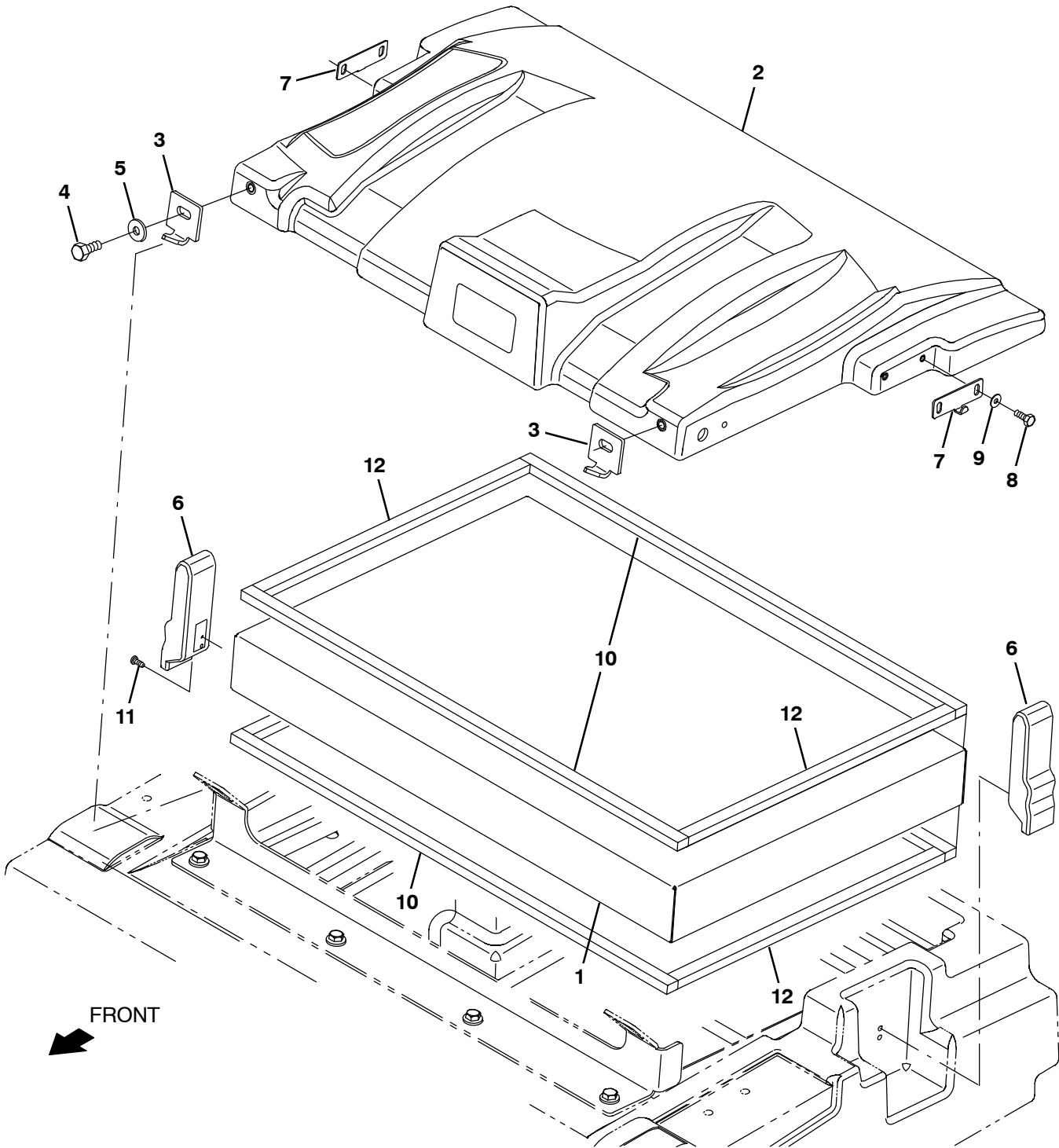




**Fig. 36 – Pressure Washer Hydraulic Hoses Group**

<b>Ref.</b>	<b>Part No.</b>	<b>Serial Number</b>	<b>Description</b>	<b>Qty.</b>
1	1038571	(008000–	) Valve, Hyd, Press Washer	1
2	1225144	(008000–	) Bracket, Valve, Mtg	1
3	06949	(008000–	) Screw, Hex, M6 X 1.00 X 50, 8.8	2
4	08712	(008000–	) Nut, Hex, Lock, M6 X 1.00, NI, Ss	2
5	32490	(008000–	) Washer, Flat, 0.25, Std	2
6	40755	(008000–	) Fitting, Hyd, Tee, Jm08/Jm08/Om08, Run	2
7	1226044	(008000–	) Hose, Hyd, Tc08, Jfoee90/Jf08str, 72	2
8	10632–14	(008000–	) Grommet, Rbr, 1.00id, F/1.4h, .12 Matl	2
9	1036965	(008000–	) Hose, Hyd, Tc08, Jf08str/Jf08str, 034.0	1
10	34379	(008000–	) Hose, Hyd, Med04, Jf04e90/Jf04str, 072.0	1
11	42227	(008000–	) Fitting, Hyd, Str, Jm08/Om12	2
12	55685	(008000–	) Fitting, Hyd, Str, Jm04/Om06	1
13	47638	(008000–	) Fitting, Hyd, E90, Jm04/Om06	1
14	1037072	(008000–	) Hose, Hyd, Tc08, Jf08str/Jf08str, 052.0	1
15	1036902	(008000–	) Hose, Hyd, Tc08, Jf08str/Jf08str, 039.0	1
16	09010	(008000–	) Screw, Hex, M8 X 1.25 X 25, Ss	2
17	07797	(008000–	) Fitting, Hyd, E45, Jf08/Jm08	1
18	1224326	(008000–	) Sleeve, Nyl, 0.69id 20.0l [Asb11]	1
19	1224327	(008000–	) Sleeve, Nyl, 1.06id 22.0l [Asb15]	2
20	32491	(008000–	) Washer, Flat, 0.31, Std	2

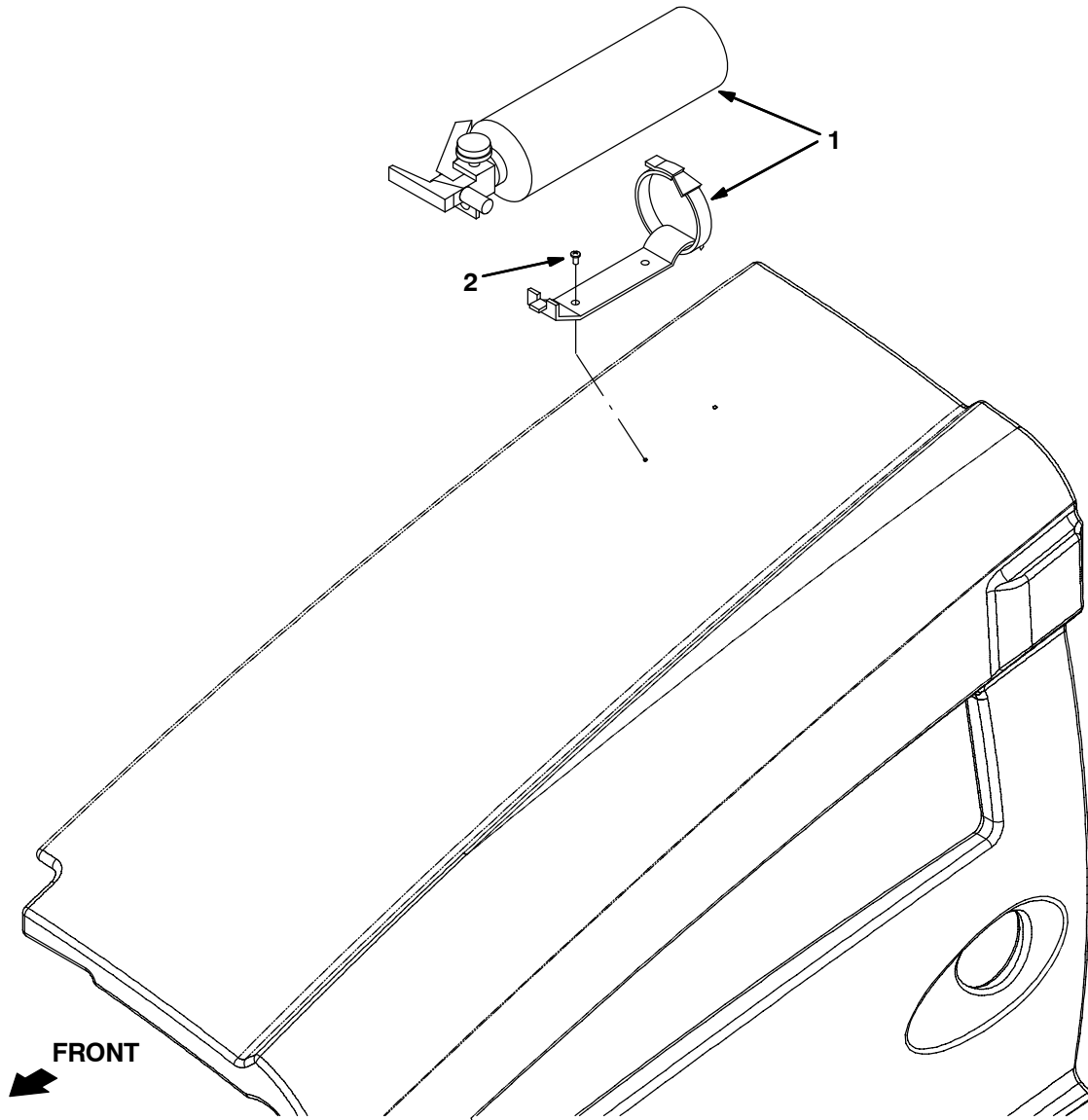
Fig. 37 – Wet Dust Control Hopper Cover Group (010900- )



**Fig. 37 - Wet Dust Control Hopper Cover Group (010900- )**

<b>Ref.</b>	<b>Part No.</b>	<b>Serial Number</b>	<b>Description</b>	<b>Qty.</b>
1	1076414	(010900-	) Panel, Filler, Filter [M20/30 Wet Sweep]	1
2	1041006	(010900-	) Cover, Hppr	1
3	1018207	(010900-	) Bar, Mtg, Hppr Cover	2
4	09291	(010900-	) Screw, Hex, M10 X 1.5 X 20, Ss	2
5	1014563	(010900-	) Washer, Flat, 0.40b 1.12d .12, Ss	2
6	1222019	(010900-	) Latch, Yellow	2
7	1041984	(010900-	) Bracket, Cover, Hppr	2
8	15678	(010900-	) Screw, Hex, M6 X 1.0 X 16, Ss	4
9	01684	(010900-	) Washer, Flat, 0.25, Ss	4
10	1015239	(010900-	) Seal, Afmkt, Ure, Adh, 0.50, 0.75w 03ft	4
11	09200	(010900-	) Screw, Pan, M5 X 0.8 X 12, Ss	4
12	1015241	(010900-	) Seal, Afmkt, Ure, Adh, 0.50, 0.75w 02ft	4

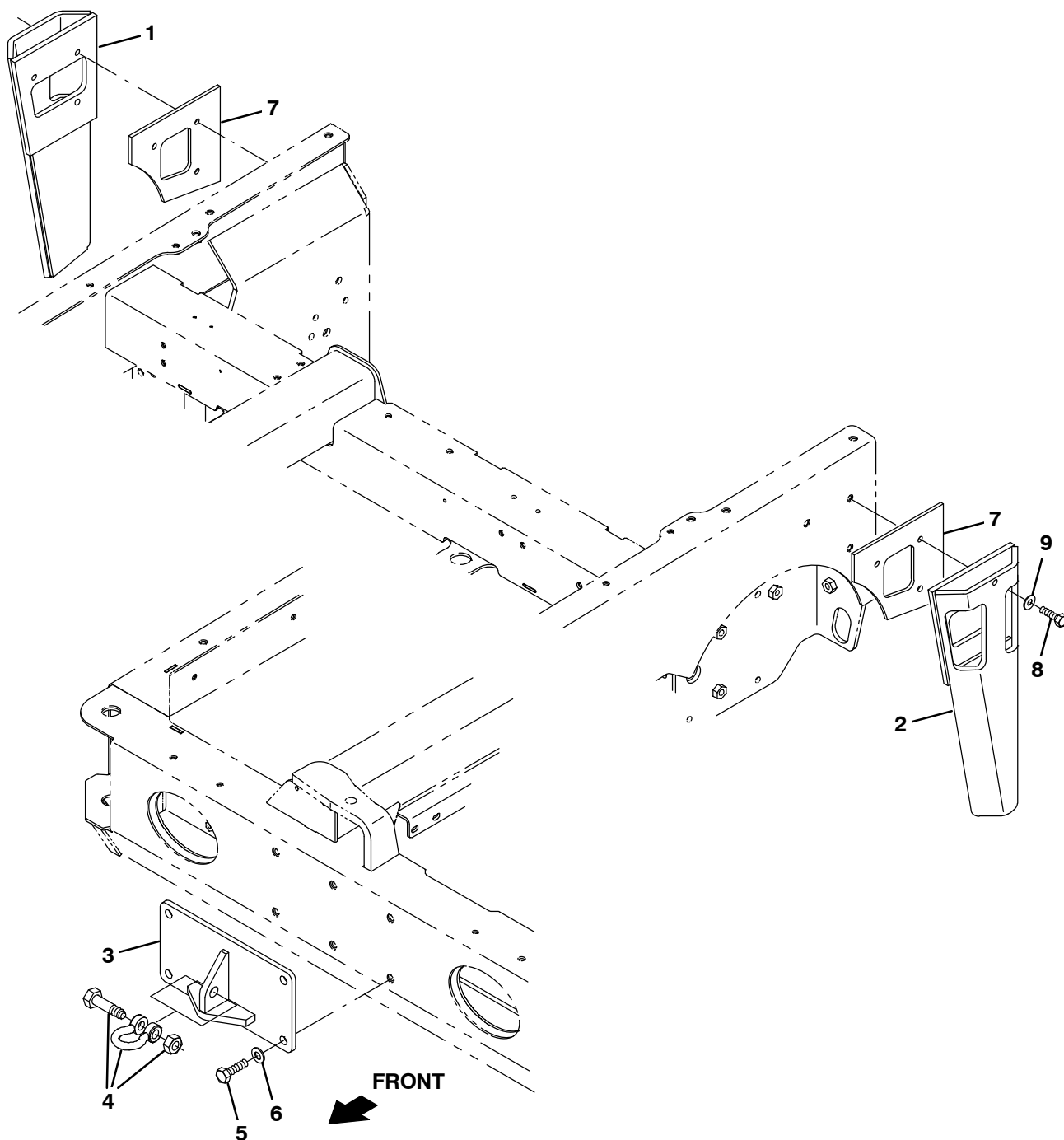
**Fig. 38 – Fire Extinguisher Kit**



354484

Ref.	Part No.	Serial Number	Description	Qty.
▽	9001316	(008000–	) Extinguisher Kit, Fire, Ci [M20/T20/M30]	1
▲	1 25312	(008000–	) Extinguisher, Fire, 2.5 Lb Dry	1
▲	2 382320	(008000–	) Screw, Pan, #12–16 X 0.50, F/ Plstc	2

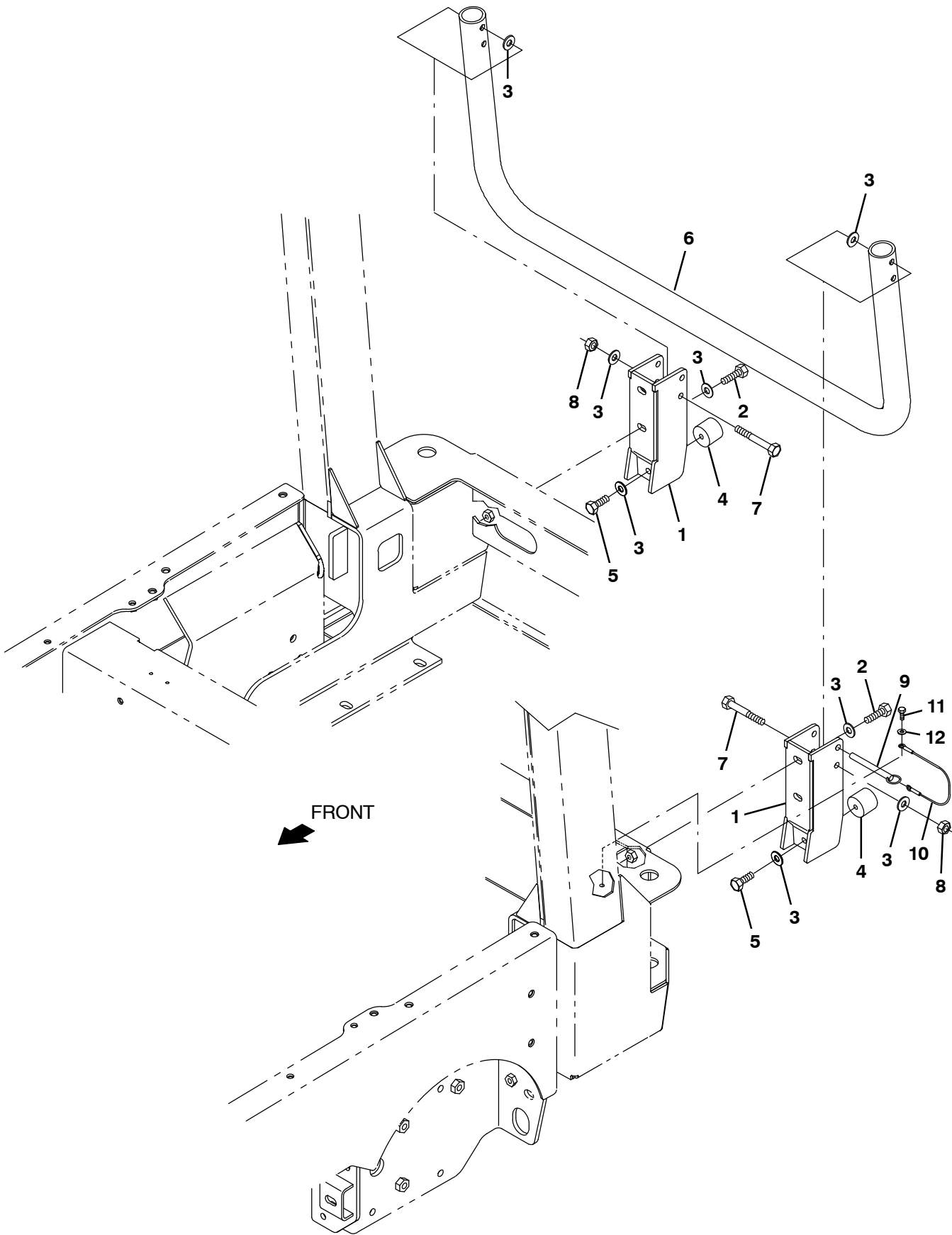
Fig. 39 – Frame Tie Down and Tow Group



356970 – M20, T20

Ref.	Part No.	Serial Number	Description	Qty.
1	1076696	(008000–	) Guard Wldt, Sqge, Tie-Down, Side, Rh	1
2	1076698	(008000–	) Guard Wldt, Sqge, Tie-Down, Side, Lh	1
3	1076740	(008000–	) Tow Wldt, Bumper, Front	1
4	1076741	(008000–	) Anchor [Shackle], .50 Bolt	1
5	06968	(008000–	) Screw, Hex, M12 X 1.75 X 35, 8.8	4
6	32486	(008000–	) Washer, Flat, 0.53b 1.06d .10, Stl, Pl	4
7	1076699	(008000–	) Plate, Shim, Guard, Sqge, Tie-Down	1
8	77347	(008000–	) Screw, Hex, M10 X 1.50 X 35, Ss	6
9	32492	(008000–	) Washer, Flat, 0.38, Std	6

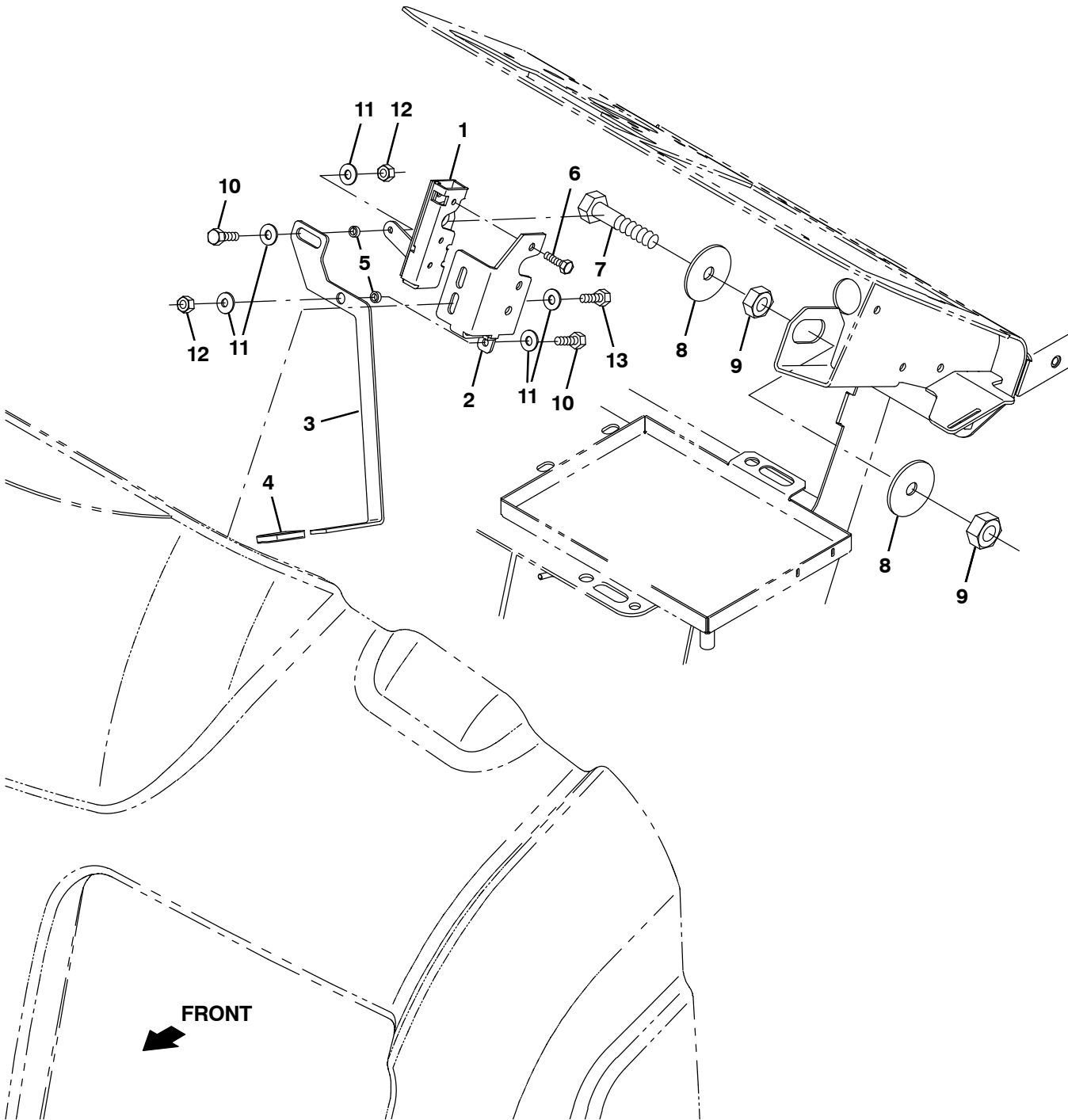
Fig. 40 – Rear Squeegee Guard Group



**Fig. 40 - Rear Squeegee Guard Group**

<b>Ref.</b>	<b>Part No.</b>	<b>Serial Number</b>	<b>Description</b>	<b>Qty.</b>
1	1027560	(008000-	) Bracket Wldt, Guard, Sqge	2
2	39284	(008000-	) Screw, Hex, M10 X 1.50 X 35, 8.8	4
3	32492	(008000-	) Washer, Flat, 0.38, Std	12
4	1024977	(008000-	) Bumper, Ure, 1.50d 1.25l	2
5	21196	(008000-	) Screw, Hex, .38-16 X 0.88, G5	2
6	1054338	(008000-	) Guard Wldt, Sqge	1
7	06965	(008000-	) Screw, Hex, M10 X 1.50 X 80, 8.8	2
8	41430	(008000-	) Nut, Hex, Lock, M10 X 1.5, NI	2
9	369359	(008000-	) Pin, Hitch, .375d X 3.12l, PI	1
10	57702	(008000-	) Cable, Glv .06d 012.0l .26eye /.26eye	1
11	55845	(008000-	) Screw, Hex, M5 X 0.80 X 16, Fmg	1
12	01683	(008000-	) Washer, Flat, 10, Ss	1

Fig. 41 – Front Cover Latch Group

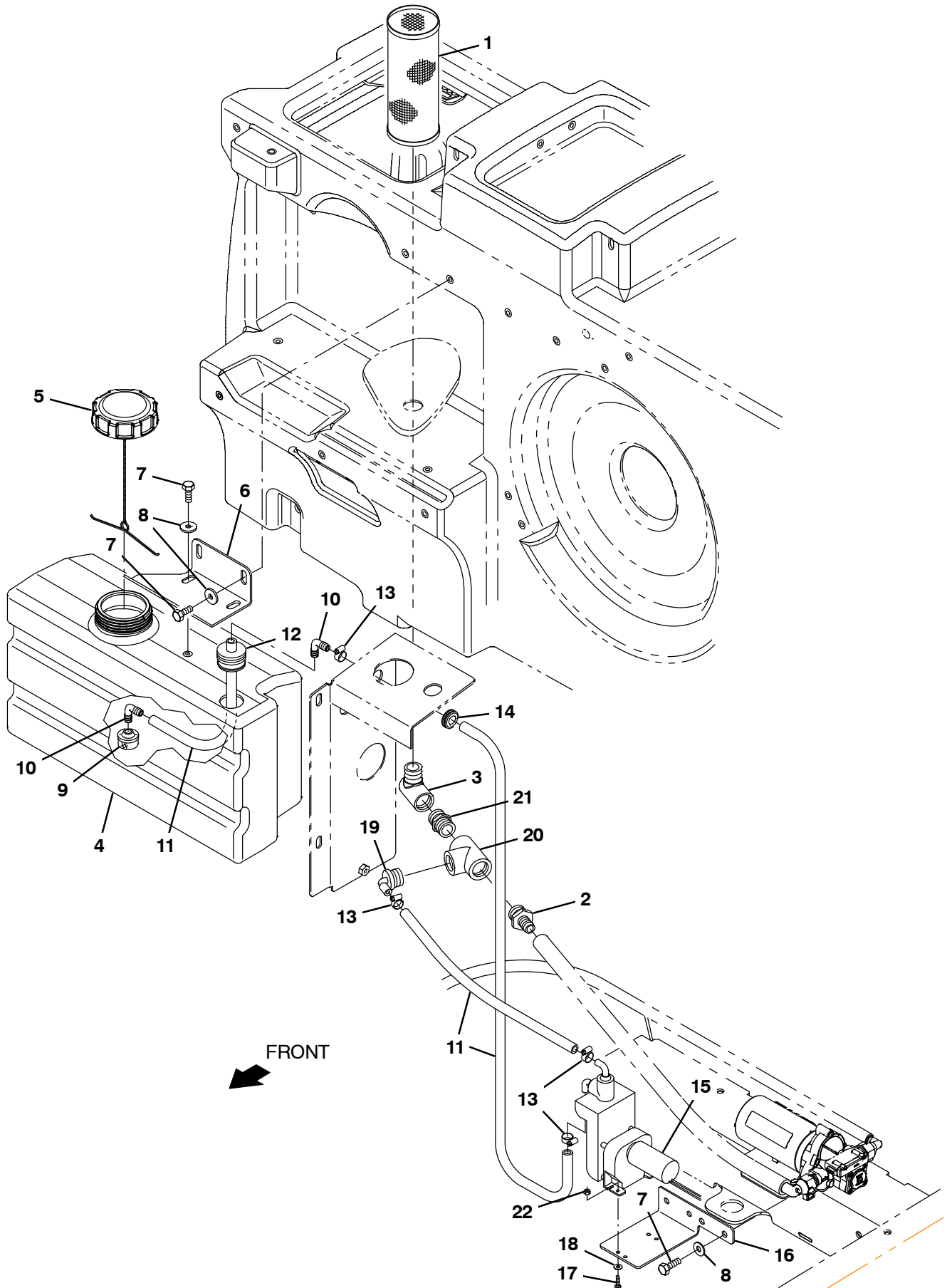




**Fig. 41 – Front Cover Latch Group**

<b>Ref.</b>	<b>Part No.</b>	<b>Serial Number</b>	<b>Description</b>	<b>Qty.</b>
1	59661	(008000– )	Latch	1
2	1076703	(008000– )	Bracket, Mtg, Latch	1
3	1076704	(008000– )	Lever, Latch	1
4	222190	(008000– )	Grip, Handle	1
5	80491	(008000– )	Sleeve, P/M, 0.25b 0.38d 0.2l [430ss]	2
6	25046	(008000– )	Screw, Hex, .25–20 X 1.00, G5	3
7	32895	(008000– )	Screw, Hex, .50–13 X 3.50, G5	1
8	04414	(008000– )	Washer, Flat, 0.53b 1.88d .12, Stl, Pl	2
9	32523	(008000– )	Nut, Hex, Jam, .50–13	2
10	06943	(008000– )	Screw, Hex, M6 X 1.00 X 20, 8.8	2
11	32490	(008000– )	Washer, Flat, 0.25, Std	8
12	08708	(008000– )	Nut, Hex, Lock, M6 X 1.00, NI	2
13	06942	(008000– )	Screw, Hex, M6 X 1.00 X 16, 8.8	2

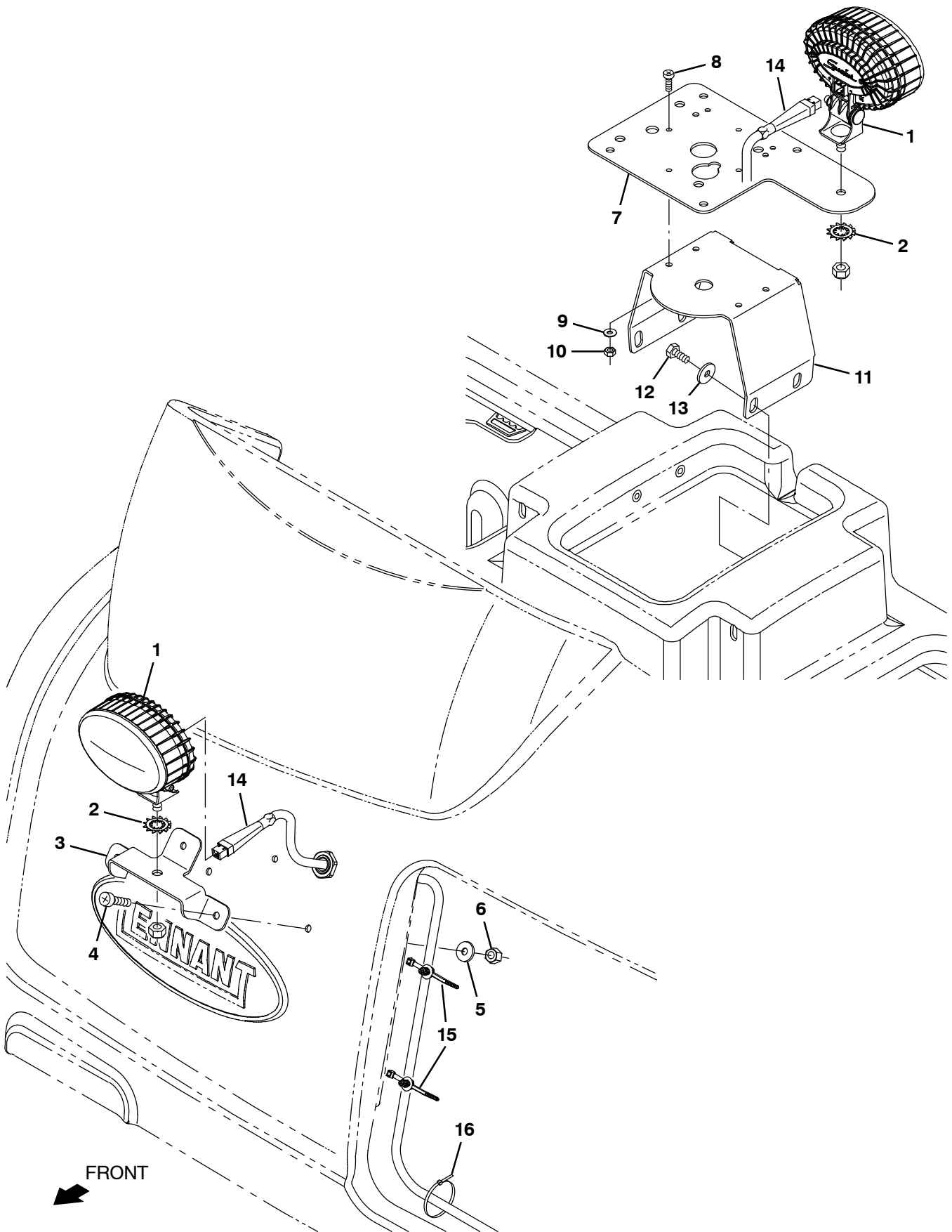
**Fig. 42 – Detergent Metering Group (014001- )**



**Fig. 42 - Detergent Metering Group (014001- )**

<b>Ref.</b>	<b>Part No.</b>	<b>Serial Number</b>	<b>Description</b>	<b>Qty.</b>
1	1057465	(014001-	) Filter, Soltn, 080mesh, Pm12 3.2d 08.0l	1
2	365095	(014001-	) Fitting, Plstc, Str, Bm10/Pm12	1
3	69785	(014001-	) Fitting, Plstc, E90, Pf12/Pm12	1
4	1022229	(014001-	) Tank, Detgt, Trimmed	1
5	1011885	(014001-	) Cap, Tank	1
6	1025159	(014001-	) Bracket, Mtg, Detgt And Spray Wand	6
7	09740	(014001-	) Screw, Hex, M8 X 1.25 X 20, Ss	6
8	1017218	(014001-	) Washer, Flat, 0.32b 1.00d .12, Ss	1
9	20952	(014001-	) Screen, Pump	1
10	20951	(014001-	) Fitting, Plstc, E90, Bm06/Bm06	2
11	1014930	(014001-	) Hose, Afmkt, Pvc, Clr, 0.38id, 08ft	1
12	20944	(014001-	) Grommet, Pye, 0.37id, F/1.5h, .13 Matl	1
13	43844	(014001-	) Clamp, Hose, Wormdrive, 0.25- 0.62d, .31w	1
14	10632- 2	(014001-	) Grommet, Rbr, 0.62id, F/0.9h, .12 Matl	1
15	73260	(014001-	) Pump, Detgt, 14vdc, 150ml/Min 20psi	1
16	1021325	(014001-	) Bracket, Mtg, Valve	1
17	24265	(014001-	) Screw, Pan, Phl, M4 X 0.70 X 16, Ss	2
18	01683	(014001-	) Washer, Flat, 10, Ss	2
19	79484	(014001-	) Fitting, Plstc, E90, Bm06/Pm12, Nyl	1
20	42133A	(014001-	) Fitting, Plstc, Tee, Pf12/Pf12/Pf12	1
21	24544	(014001-	) Fitting, Plstc, Str, Pm12/Pm12 1.60l	1
22	33932	(014001-	) Nut, Hex, Lock, M4 X 0.7, NI, Ss	2

Fig. 43 – Spotlight Kit, Blue



**Fig. 43 – Spotlight Kit, Blue**

	<b>Ref.</b>	<b>Part No.</b>	<b>Serial Number</b>	<b>Description</b>	<b>Qty.</b>
▽		9021235	(008000–	) Spotlight Kit, Blue, Ci [T20/M20]	1
▲	1	1240687	(008000–	) Light, Spot, Blue, Led	2
▲	2	41143	(008000–	) Washer, Lock, Int–Ext, 0.50	2
▲	3	1076808	(008000–	) Brkt, Blu Spotlight, Fr, Cover Mtg	1
▲	4	1031665	(008000–	) Screw, Pan, M8 X 1.25 X 25, Blk	3
▲	5	39890	(008000–	) Washer, Flat, M8, Fendr	3
▲	6	08713	(008000–	) Nut, Hex, Lock, M8 X 1.25, NI, Ss	3
▲	7	1076789	(008000–	) Brkt, Blu Spotlight, Rr, Frame Mtg	1
▲	8	24196	(008000–	) Screw, Pan, Phl, M5 X 0.80 X 20, Ss	4
▲	9	19066	(008000–	) Washer, Flat, 0.25b 0.56d .05, PI, 10	4
▲	10	09739	(008000–	) Nut, Hex, Lock, M5 X 0.80, NI, Ss	4
▲	11	1019445	(008000–	) Bracket, Sppt, Revl Light	1
▲	12	09740	(008000–	) Screw, Hex, M8 X 1.25 X 20, Ss	4
▲	13	1017218	(008000–	) Washer, Flat, 0.32b 1.00d .12, Ss	4
▲▽	14	1076999	(008000–	) Harness, Blu Spotlight [T20/M20/M30]	1
▲▲		1016029	(008000–	) Fuse, Blade, 005a, 32vdc [Atof]	1
▲	15	1210807	(008000–	) Wire, Tie [W/.25” Fir Tree Clip]	3
▲	16	763114	(008000–	) Tie, Cable, 11.3l, 2.75d Max	10

**Fig. 44 – Documentation Group (Online Only)**

M20, G/LP, NA

Ref.	Part No.	Serial Number	Description	Qty.
	9016000	(008000– )	Manual, Oprtr [M20 G, En, Na Sn 8000–]	1
	1032578	(008000– )	Instr, Maint, Wall Chart [M20]	1
	9016002	(008000– )	Manual, Oprtr [M20 G, Es, Na Sn 8000–]	1
	9016003	(008000– )	Manual, Oprtr [M20 G, Fr, Na, Sn 8000–]	1
	9016004	(008000– )	Manual, Oprtr [M20 G/Lpg, Jp, Sn 8000–]	1
	9016005	(008000– )	Manual, Oprtr [M20 G/Lpg, Cn, Sn 8000–]	1
	9016001	(008000– )	Manual, Parts [M20 Gas/Lp, Na Sn 8000–]	1
	9016283	(008000– )	Manual, Oprtr [M20 G/Lp, Ptb, Sn 8000–]	1
	9016006	(008000– )	Manual, Service, [M20/M30 G/D, Sn 8000–]	1
	9006257	(008000– )	Media, Cd–Rom, Training [ec–H2O Tennant]	1
	9010635	(008000– )	Manual, Service, Cd–Rom [Mit2.0I]	1



To view, print, or download the latest Parts manual, other language Operator manuals, and Use and Care Guides (wall charts), visit:

[www.tennantco.com/manual](http://www.tennantco.com/manual)

## SECTION 4

Contents	Page
Fig. 1 – Extended Scrub Pump Breakdown, 1021210 .....	4-2
Fig. 2 – Hydraulic Motor Breakdown, 379609 ...	4-4
Fig. 3 – Hydraulic Pump Breakdown, 1024251 .	4-6
Fig. 4 – Hydraulic Motor Breakdown, 71729 ....	4-8
Fig. 5 – Hydraulic Motor Breakdown, 1029379 .	4-9
Fig. 6 – Hydraulic Valve Breakdown, 1072997 .	4-10
Fig. 7 – Hydraulic Valve Breakdown, 1072995 .	4-12
Fig. 8 – Hydraulic Steering Valve Breakdown, 1024260 .....	4-14
Fig. 9 – Metering Solution Pump Breakdown, 73260 .....	4-16
Fig. 10 – Water Pump Breakdown, 1026743 ...	4-17
Fig. 11 – ec-H2O Module Assembly Breakdown, 9007882 .....	4-18
Fig. 12 – Seat Breakdown, 9018721 .....	4-20
Fig. 13 – Steering Gearbox Breakdown, 9015636 .....	4-22
Fig. 14 – FaST Injector Assembly Breakdown, 9008868 .....	4-24
Fig. 15 – Water Pump Motor Breakdown, 1225829 .....	4-25

**Fig. 1 – Extended Scrub Pump Breakdown, 1021210**

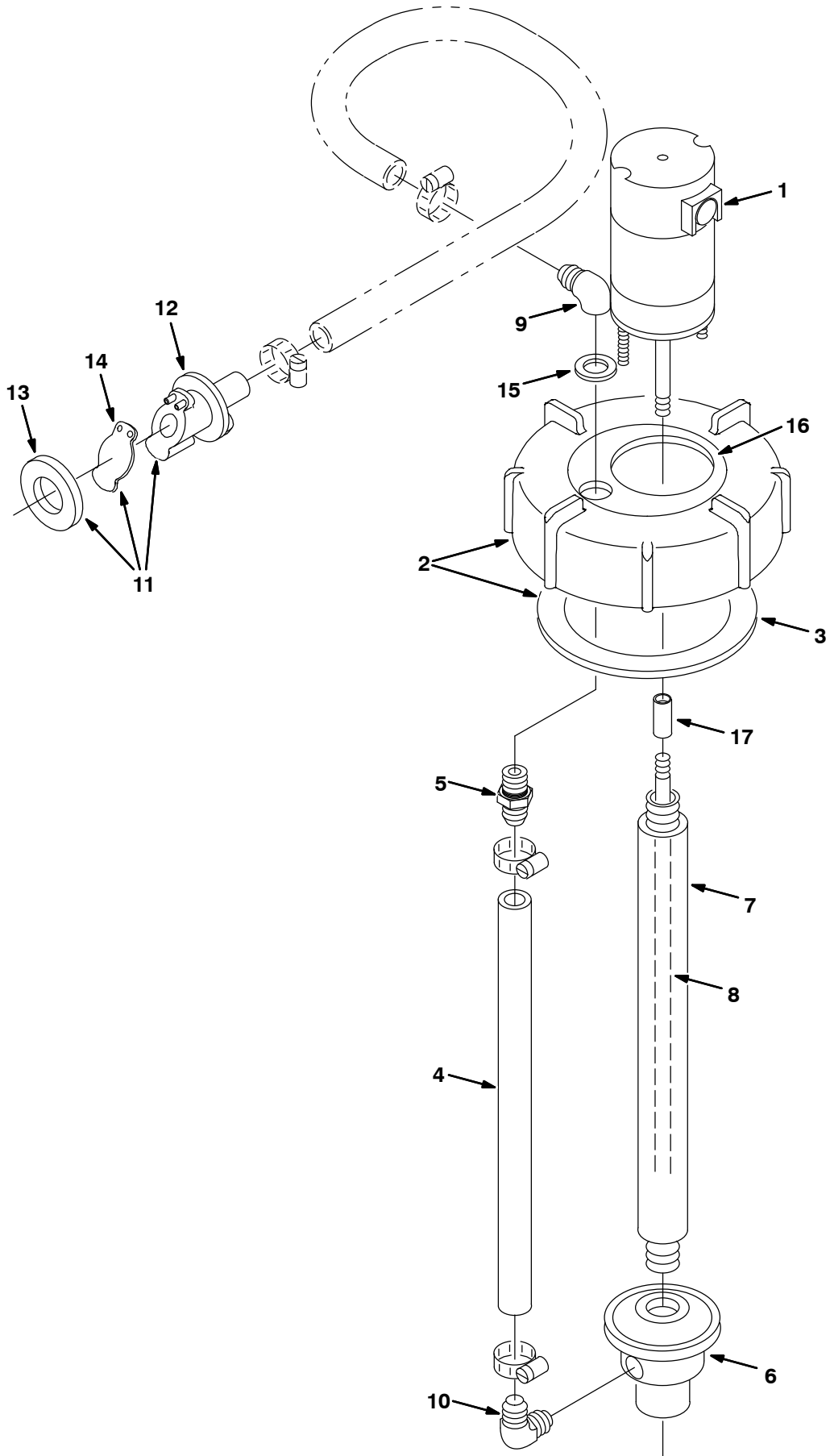




Fig. 1 - Extended Scrub Pump Breakdown, 1021210

	Ref.	Part No.	Serial Number	Description	Qty.
▽		1021210	(000000-	) Pump Assy, Column, Es	1
▲▽	1	9002708	(000000-	) Motor, Ele, 12vdc, Pump, Water	1
▲▲		78829	(000000-	) Kit, Brush, Motor, Ele	1
▲▽	2	24358	(000000-	) Cap Assy, Tank, Drain	1
▲▲	3	1031699	(000000-	) Gasket, 4.05id 5.29od .19 [Buna]	1
▲	4	78833	(000000-	) Tube, Vinyl, Pump, Water	1
▲	5	78398	(000000-	) Fitting, Plstc, Str, Bm12/Pm08, Nyl	1
▲	6	78843	(000000-	) Housing Kit, Pump, Water	1
▲	7	78836	(000000-	) Column, Pump, Water	1
▲	8	9002709	(000000-	) Shaft, Pump, Water	1
▲	9	78838	(000000-	) Fitting, E, Gr	1
▲	10	78839	(000000-	) Fitting, Plstc, E90, Pf Bm [Es Pump]	1
▲▽	11	78842	(000000-	) Kit, Valve, Check, Pump, Water	1
▲▲	12	78840	(000000-	) Valve, Check, Pump, Water	1
▲▲	13	73342	(000000-	) Gasket, .25 1.88d 1.0id [Poron]	1
▲▲	14	78841	(000000-	) Flapper, Valve, Pump, Water	1
▲	15	78830	(000000-	) Washer, Rbr	1
▲	16	22790	(000000-	) Insert, Cap, Mount, Es Pump	1
▲	17	23285	(000000-	) Sleeve, Pump, Water	1

**Fig. 2 – Hydraulic Motor Breakdown, 379609**

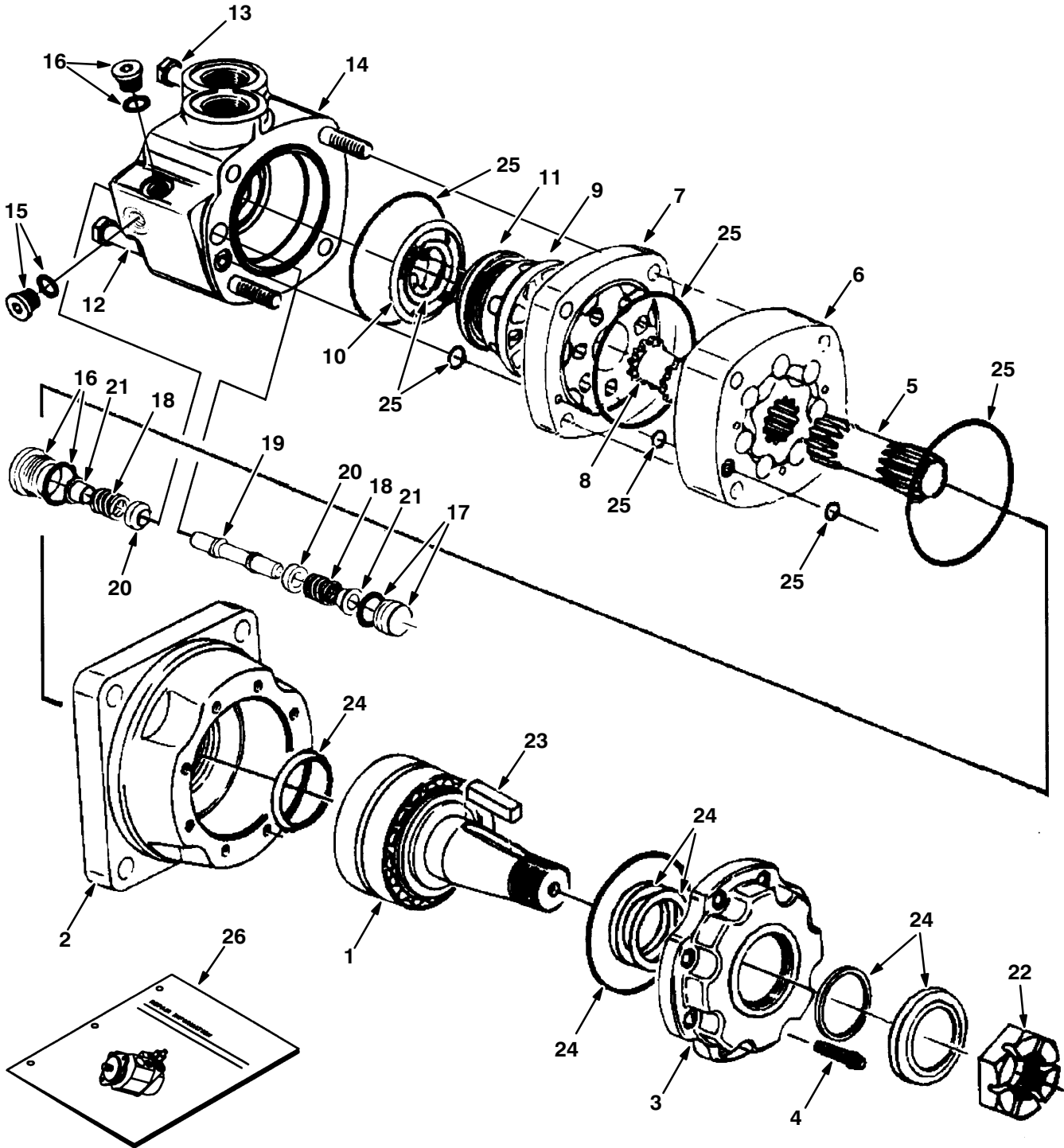


Fig. 2 – Hydraulic Motor Breakdown, 379609

	Ref.	Part No.	Serial Number	Description	Qty.
▽		379609	(000000-	) Motor, Hyd, Gear, [Int], 19.0 X 3000	1
▲	1	74165	(000000-	) Shaft, Motor, Hyd	1
▲	2	74166	(000000-	) Housing, Brg, Motor, Hyd	1
▲	3	74167	(000000-	) Retainer, Motor, Hyd	1
▲	4	74168	(000000-	) Screw, Cap, Motor, Hyd	8
▲	5	37616	(000000-	) Drive, Motor, Hyd	1
▲	6	37756	(000000-	) Geroler, Motor, Hyd	1
▲	7	74122	(000000-	) Plate, Valve, Motor, Hyd	1
▲	8	52405	(000000-	) Valve, Motor, Hyd	1
▲	9	74123	(000000-	) Valve, Motor, Hyd	1
▲	10	34178	(000000-	) Spring, Motor, Hyd	2
▲	11	38968	(000000-	) Ring, Motor, Hyd	1
▲	12	74125	(000000-	) Bolt, Motor, Hyd	3
▲	13	38255	(000000-	) Bolt, Motor, Hyd	1
▲	14	373297	(000000-	) Housing, Valve	1
▲	15	373298	(000000-	) Plug	1
▲	16	373260	(000000-	) Plug, Pump, Hyd, Gear	2
▲	17	373299	(000000-	) Plug	1
▲	18	373291	(000000-	) Spring	2
▲	19	373217	(000000-	) Piston, Pump, Hyd, Gear	1
▲	20	373226	(000000-	) Poppet, Pump, Hyd, Gear	2
▲	21	373236	(000000-	) Sleeve, Dashpo, Pump, Hyd, Gear	2
▲	22	45622	(000000-	) Nut, Motor, Hyd	1
▲	23	45623	(000000-	) Key, Motor, Hyd	1
▲	24	79828	(000000-	) Seal Kit, Shaft [CI]	1
▲	25	33580	(000000-	) Seal Kit, Rear [CI]	1
	26	79729	(000000-	) Instr, Repair, Motor, Hyd, Gear	1

**Fig. 3 - Hydraulic Pump Breakdown, 1024251**

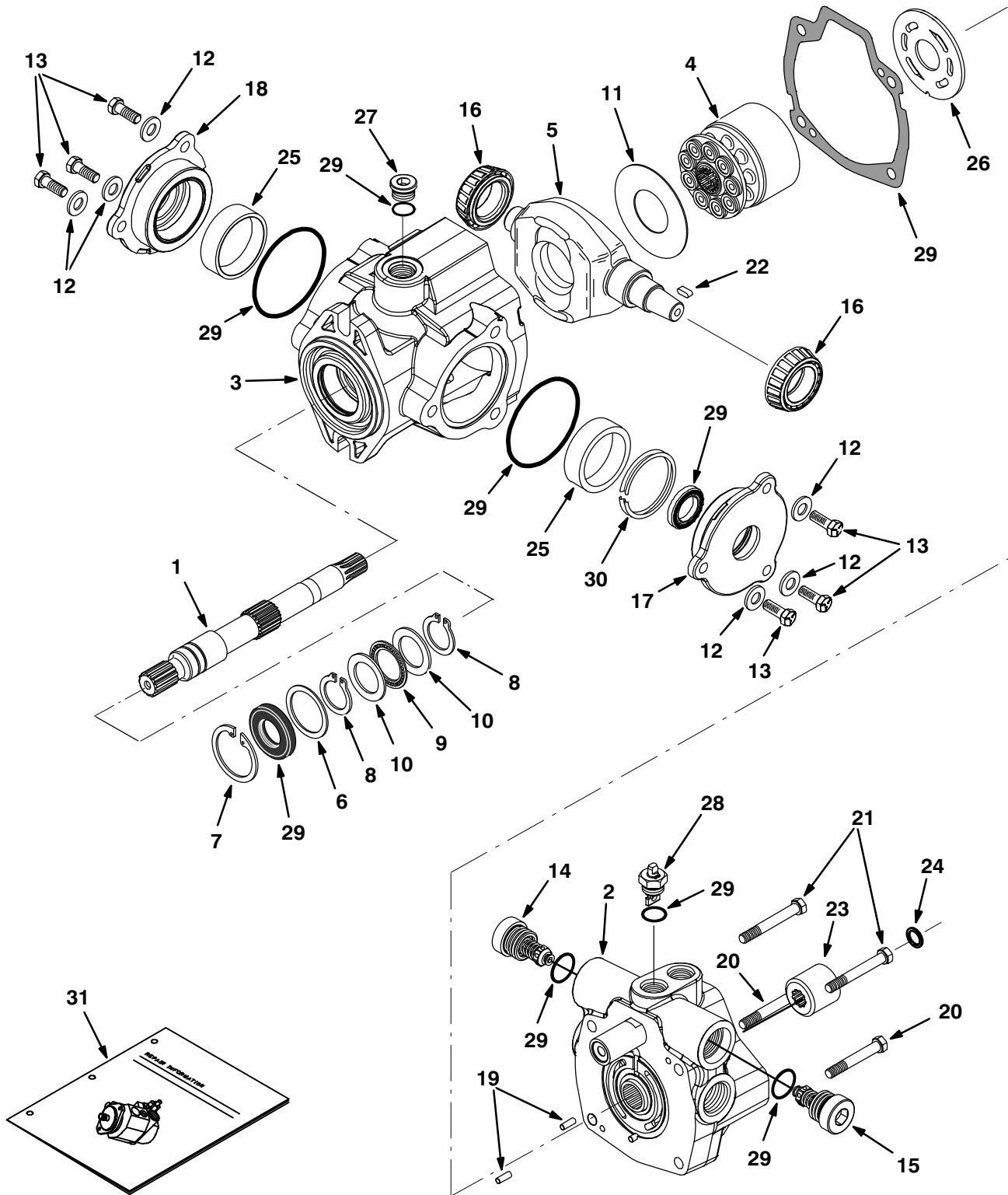
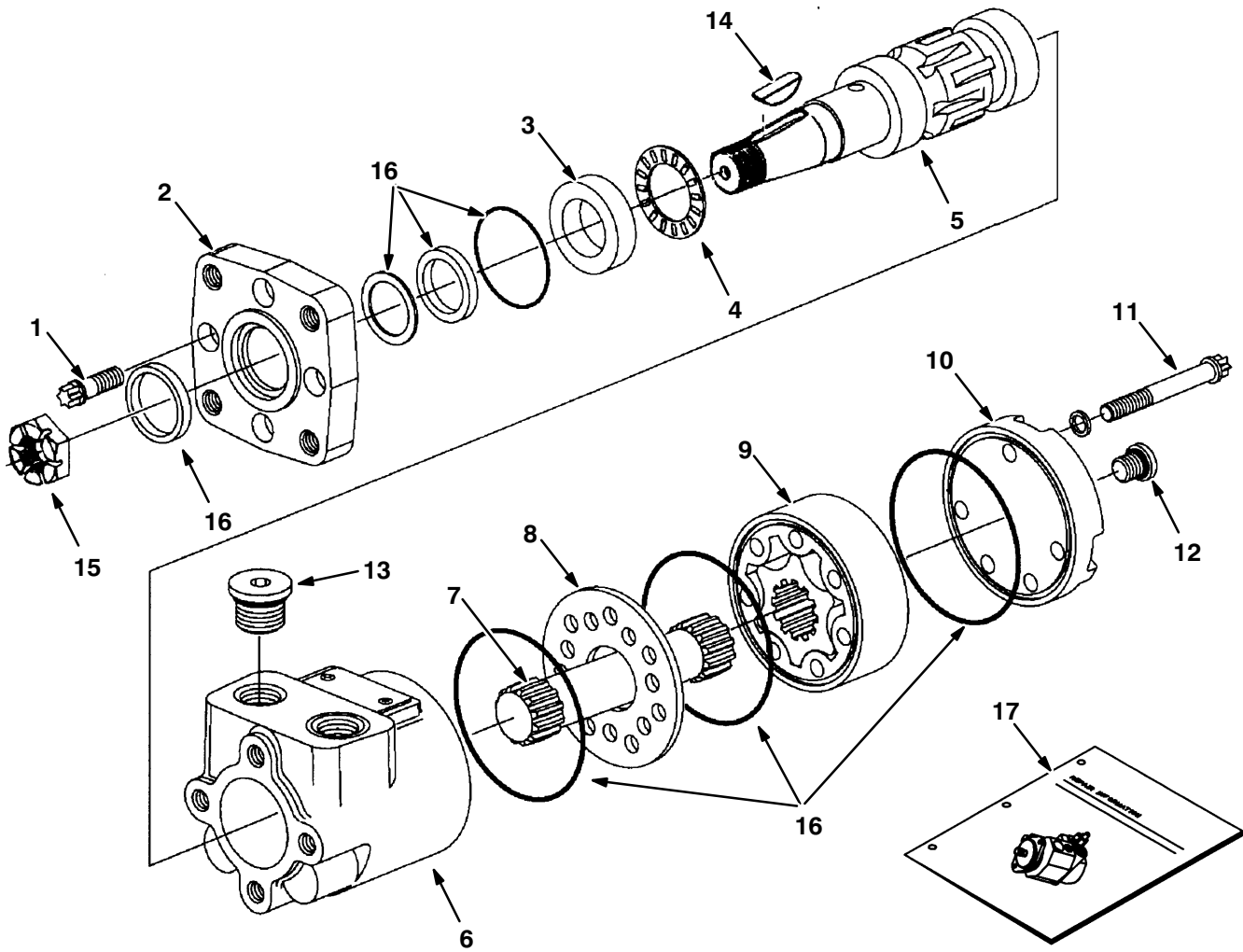


Fig. 3 – Hydraulic Pump Breakdown, 1024251

Ref.	Part No.	Serial Number	Description	Qty.	
▽	1024251	(000000–	) Pump, Hyd, Piston, Var, 1.24 4000, Cw	1	
▲	1	373681	(000000–	) Shaft, Pump	1
▲	2	373427	(000000–	) Cover, End	1
▲	3	373389	(000000–	) Housing	1
▲	4	02706	(000000–	) Pump Kit, Hyd, Rotating [Cessna]	1
▲	5	373493	(000000–	) Plate, Cam	1
▲	6	70096	(000000–	) Washer, Flat, Pump, Hyd	1
▲	7	55926	(000000–	) Ring, Retaining, Pump, Hyd	1
▲	8	373434	(000000–	) Ring, Retaining	2
▲	9	74225	(000000–	) Bearing, Thrust, Pump, Hyd	1
▲	10	74226	(000000–	) Race, Brg, Pump, Hyd	2
▲	11	373327	(000000–	) Insert, Plt, Cam, Pump, Hyd	1
▲	12	373391	(000000–	) Washer, Pump, Hyd [En]	6
▲	13	373346	(000000–	) Screw, Cap	6
▲	14	373494	(000000–	) Valve, Relief, 4000 Psi	1
▲	15	373678	(000000–	) Valve, Relief, 3000 Psi	1
▲	16	373317	(000000–	) Bearing, Cone, Pump, Hyd	2
▲	17	373393	(000000–	) Plate, Cover	1
▲	18	373394	(000000–	) Plate, Cover	1
▲	19	70100	(000000–	) Pin, Dowel, Pump, Hyd	2
▲	20	373347	(000000–	) Screw, Cap	2
▲	21	373348	(000000–	) Screw, Cap	2
▲	22	74237	(000000–	) Key, Shaft, Pump, Hyd	1
▲	23	373679	(000000–	) Coupler, Pump	1
▲	24	373680	(000000–	) Ring, Lock	1
▲	25	373395	(000000–	) Bearing, Cup	2
▲	26	74180	(000000–	) Plate, Valve, Pump, Hyd	1
▲	27	13907	(000000–	) Fitting, Hyd, Plug, Om08	1
▲	28	373413	(000000–	) Actuator, Valve, By-Pass [En]	1
▲	29	373398	(000000–	) Seal Kit, Pump, Hyd	1
▲	30	373402	(000000–	) Shim Kit	1
	31	373429	(000000–	) Instr, Repair, Pump	1

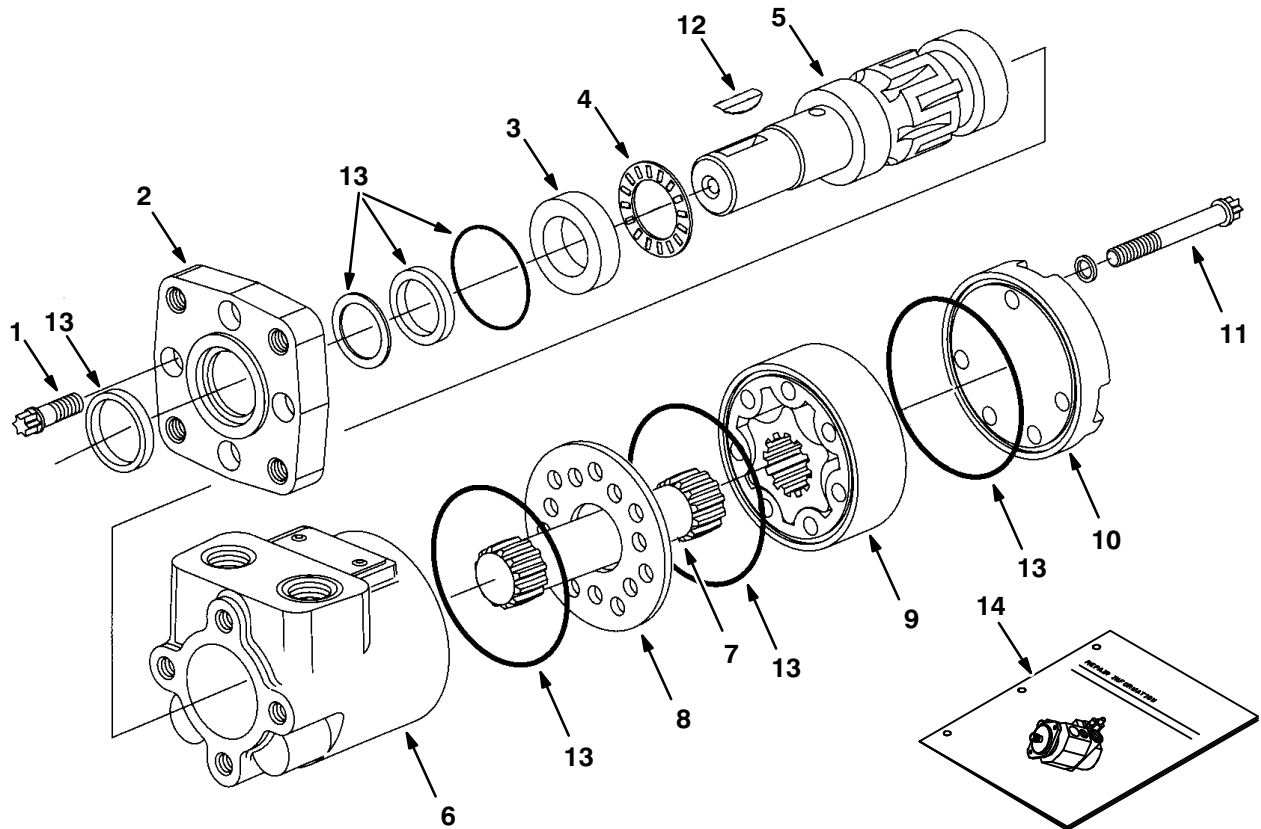
**Fig. 4 – Hydraulic Motor Breakdown, 71729**



09606-09670 – ALL

Ref.	Part No.	Serial Number	Description	Qty.
▽	71729	(000000- )	Motor, Hyd Gear In 4.5 B 1500	1
▲	1	37555	(000000- ) Screw	4
▲	2	31354	(000000- ) Flange Mounting	1
▲	3	16695	(000000- ) Race Thrust	1
▲	4	45628	(000000- ) Thrust Bearing	1
▲	5	31375	(000000- ) Shaft, Output	1
▲	6	74100	(000000- ) Housingl	1
▲	7	31379	(000000- ) Drive	1
▲	8	74094	(000000- ) Spacer Plate	1
▲	9	31383	(000000- ) Gerotor Set	1
▲	10	74095	(000000- ) End Cap	1
▲	11	65241	(000000- ) Cap Screw	5
▲	12	74098	(000000- ) Plug #4	1
▲	13	74099	(000000- ) Plug #10	2
▲	14	00500-15	(000000- ) Key-Wdruff 0.25 1.00	1
▲	15	39527	(000000- ) Nut-Hxslot .75-16 Pltd	1
▲	16	61490	(000000- ) Seal Replmt Kit	1
▲	17	74250	(000000- ) Instr. Repair Info, Motor	1

Fig. 5 - Hydraulic Motor Breakdown, 1029379



10859-09670 - ALL

Ref.	Part No.	Serial Number	Description	Qty.	
▽	1029379	(000000-	) Motor, Hyd, Gear, Int 08.9 Bi-Dir 2500	1	
▲	1	37555	(000000-	) Screw, Motor, Hyd [En]	4
▲	2	31354	(000000-	) Flange, Motor, Hyd [En]	1
▲	3	16695	(000000-	) Ace, Thrust, Motor, Hyd [En]	1
▲	4	45628	(000000-	) Bearing, Thrust	1
▲	5	28854	(000000-	) Shaft, Output, Motor, Hyd [En]	1
▲	6	74100	(000000-	) Housing, Motor, Hyd [En]	1
▲	7	21955	(000000-	) Drive [CI]	1
▲	8	74094	(000000-	) Plate, Spacer, Motor, Hyd [En]	1
▲	9	21956	(000000-	) Gerotor Set [CI]	1
▲	10	65230	(000000-	) End Cap, Motor, Hyd [En]	1
▲	11	21958	(000000-	) Cap Screw CI	5
▲	12	00500-15	(000000-	) Key, Woodruff, 0.25 1.00 [Asa#0808]	1
▲	13	61490	(000000-	) Seal Kit, Motor [CI]	1
▲	14	74250	(000000-	) Instr, Motor, Hyd, Repair [En]	1

**Fig. 6 - Hydraulic Valve Breakdown, 1072997**

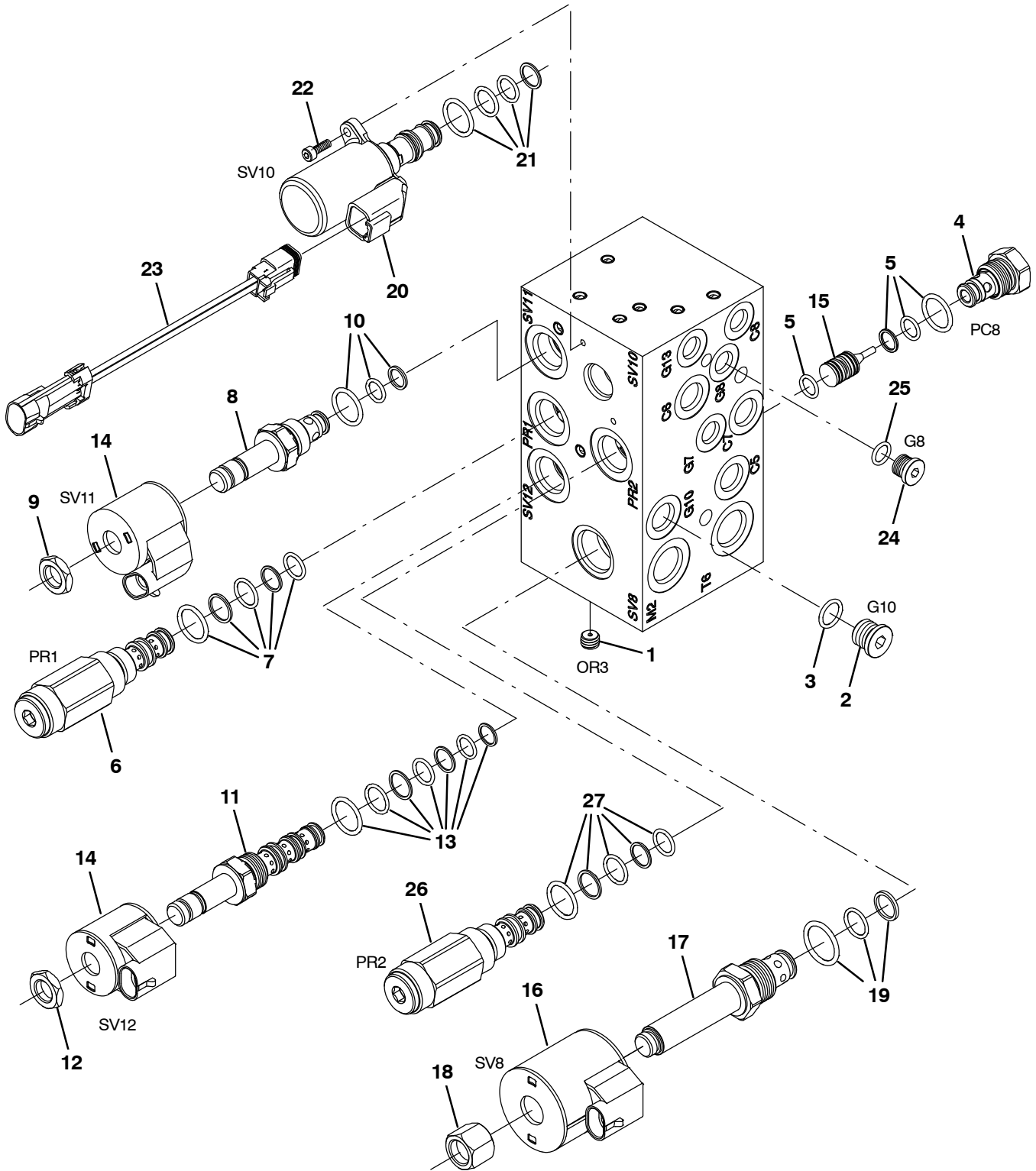




Fig. 6 - Hydraulic Valve Breakdown, 1072997

Ref.	Part No.	Serial Number	Description	Qty.
▽	1072997	(000000-	) Valve, Cntrl, Hyd, Solenoid, 03/16gpm	1
▲	1 373633	(000000-	) Plug, Orifice, Valve, Hyd, .040	1
▲▽	2 13904	(000000-	) Fitting, Plug, Org, #6, Valve [Cec]	1
▲▲	3 77005	(000000-	) Seal, Org, .078 X 00.47id 06	1
▲▽	4 373656	(000000-	) Valve, Check	1
▲▲	5 373647	(000000-	) Seal Kit, Cartridge	1
▲▽	6 373661	(000000-	) Valve, Relief	1
▲▲	7 373647	(000000-	) Seal Kit, Cartridge	1
▲▽	8 373662	(000000-	) Stem, Valve, Hyd	1
▲▲	9 373648	(000000-	) Nut, Coil, Nyl Patch	1
▲▲	10 373647	(000000-	) Seal Kit, Cartridge	1
▲▽	11 373657	(000000-	) Stem, Valve, Hyd [4w2p]	1
▲▲	12 373648	(000000-	) Nut, Coil, F/#8	1
▲▲	13 373647	(000000-	) Seal Kit, Cartridge	1
▲	14 373640	(000000-	) Solenoid, #8, 12vdc	3
▲	15 373658	(000000-	) Spool, Pilot, Hyd	1
▲	16 373642	(000000-	) Solenoid, #10, 12vdc	1
▲▽	17 373663	(000000-	) Valve, Stem, No	1
▲▲	18 373670	(000000-	) Nut, Solenoid	1
▲▲	19 373646	(000000-	) Seal Kit, Cartridge	1
▲▽	20 9011347	(000000-	) Valve Assy [Proportional]	1
▲▲	21 9011343	(000000-	) Seal Kit, Valve [Ehpr98]	1
▲▲	22 9011345	(000000-	) Screw, Mtg [Ehpr98]	2
▲▲	23 9011346	(000000-	) Harness, Jumper [Deutsch To Mpack]	1
▲▽	24 13904	(000000-	) Fitting, Plug, Org, #6, Valve [Cec]	1
▲▲	25 77005	(000000-	) Seal, Org, .078 X 00.47id 06	1
▲▽	26 373683	(000000-	) Valve, Relief	1
▲▲	27 373647	(000000-	) Seal Kit, Cartridge	1

**Fig. 7 - Hydraulic Valve Breakdown, 1072995**

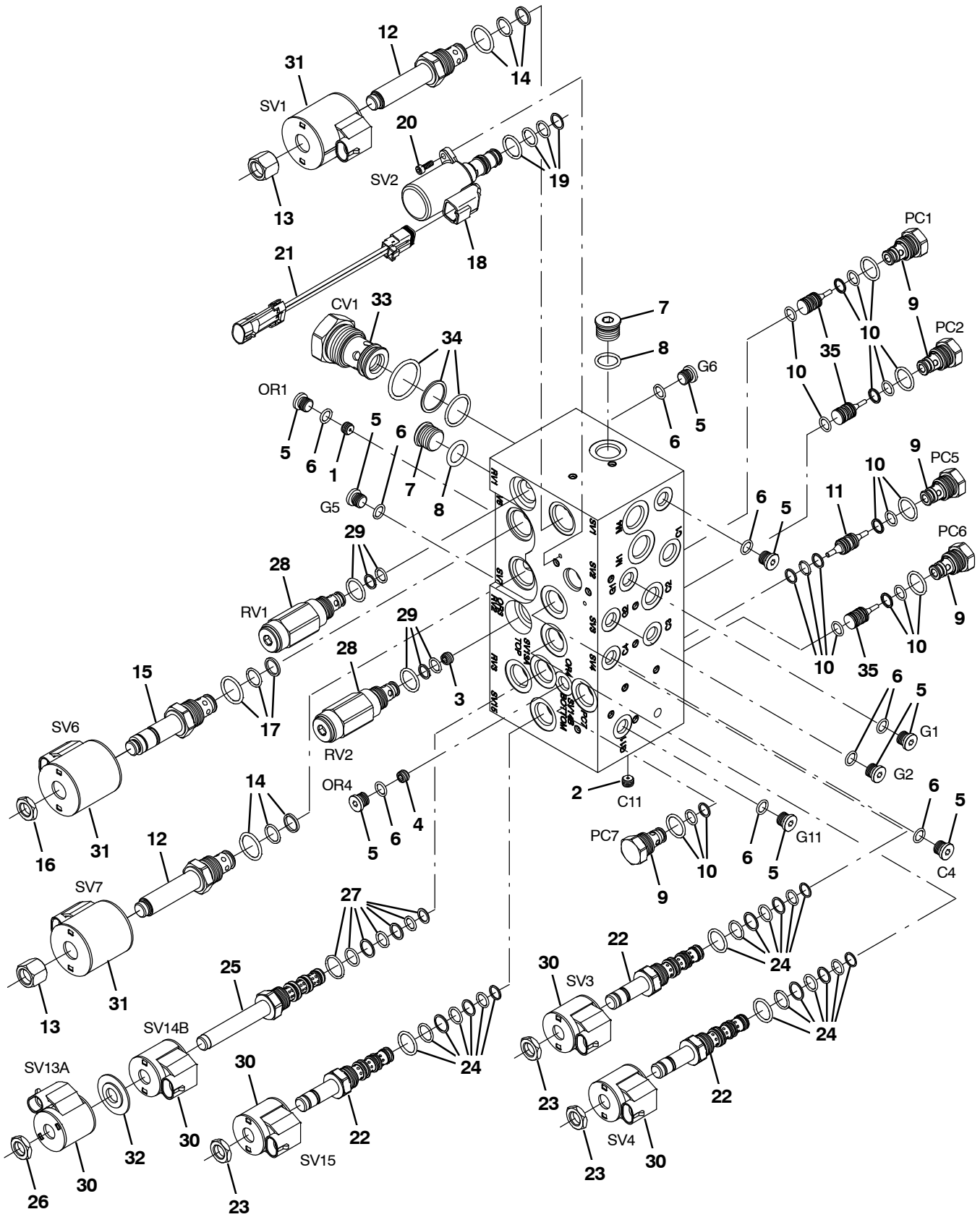


Fig. 7 – Hydraulic Valve Breakdown, 1072995

Ref.	Part No.	Serial Number	Description	Qty.
▽	1072995	(000000–	) Valve, Cntrl, Hyd, Solenoid, 12vdc 10gpm	1
▲	1 373665	(000000–	) Plug, Orifice, Valve, Hyd, .046	1
▲	2 373633	(000000–	) Plug, Orifice, Valve, Hyd, .040	1
▲	3 9004475	(000000–	) Plug Orifice, Valve, Hyd, .140	1
▲	4 373660	(000000–	) Plug, Orifice, Valve, Hyd, .030	1
▲▽	5 74098	(000000–	) Fitting, Hyd, Plug, Om04	9
▲▲	6 77003	(000000–	) Seal, Org, .072 X 00.35id #04	1
▲▽	7 13904	(000000–	) Fitting, Plug, Org, #6, Valve [Cec]	2
▲▲	8 77005	(000000–	) Seal, Org, .078 X 00.47id #06	1
▲▽	9 373656	(000000–	) Valve, Check	5
▲▲	10 373647	(000000–	) Seal Kit, Cartridge	1
▲	11 373688	(000000–	) Spool, Pilot, Dual, Hyd	1
▲▽	12 373663	(000000–	) Valve, Stem, No	2
▲▲	13 373670	(000000–	) Nut, Solenoid	1
▲▲	14 373671	(000000–	) Seal Kit, Cartridge	1
▲▽	15 373667	(000000–	) Stem, Valve, Hyd	1
▲▲	16 373648	(000000–	) Nut, Coil, F/#8	1
▲▲	17 373671	(000000–	) Seal Kit, Cartridge	1
▲▽	18 9011347	(000000–	) Valve Assy [Proportional]	1
▲▲	19 9011343	(000000–	) Seal Kit, Valve [Ehpr98]	1
▲▲	20 9011345	(000000–	) Screw, Mtg [Ehpr98]	2
▲▲	21 9011346	(000000–	) Harness, Jumper [Deutsch To Mpack]	1
▲▽	22 373657	(000000–	) Stem, Valve, Hyd [4w2p]	3
▲▲	23 373648	(000000–	) Nut, Coil, F/#8	1
▲▲	24 373647	(000000–	) Seal Kit, Cartridge	1
▲▽	25 373637	(000000–	) Valve, Cntrl, Solenoid	1
▲▲	26 373684	(000000–	) Nut, Coil, Nyl Patch	2
▲▲	27 373671	(000000–	) Seal Kit, Cartridge	1
▲▽	28 373666	(000000–	) Valve, Relief	2
▲▲	29 373647	(000000–	) Seal Kit, Cartridge	1
▲	30 373640	(000000–	) Solenoid, #8, 12vdc	5
▲	31 373642	(000000–	) Solenoid, #10, 12vdc	3
▲	32 373639	(000000–	) Spacer, Coil, #8	1
▲▽	33 373668	(000000–	) Valve, Check	1
▲▲	34 373671	(000000–	) Seal Kit, Cartridge	1
▲	35 373658	(000000–	) Spool, Pilot, Hyd	3

**Fig. 8 – Hydraulic Steering Valve Breakdown, 1024260**

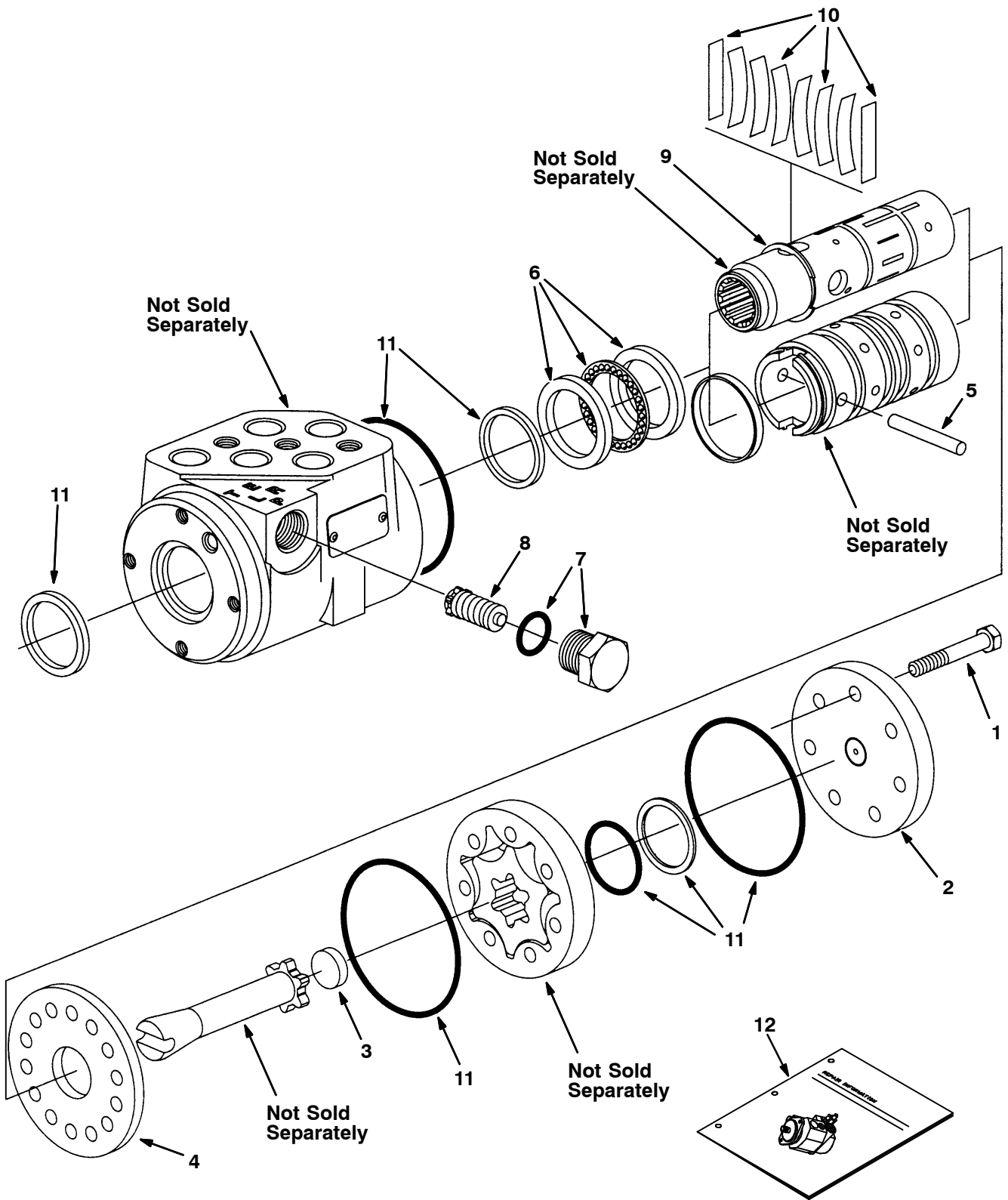
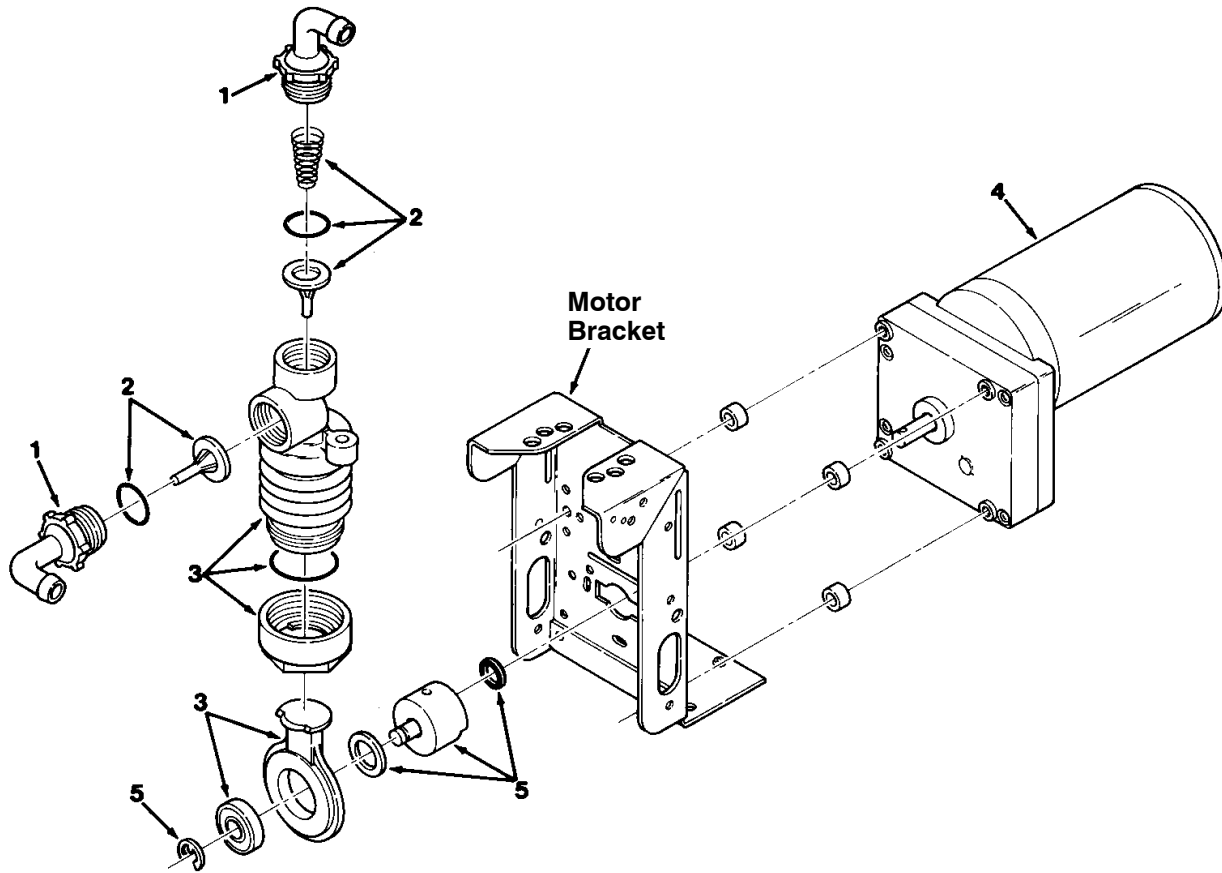


Fig. 8 – Hydraulic Steering Valve Breakdown, 1024260

	Ref.	Part No.	Serial Number	Description	Qty.
▽		1024260	(000000–	) Steer–Control, Hyd05, 06.1 2030	1
▲	1	74183	(000000–	) Screw, Valve, Steering	7
▲	2	74185	(000000–	) Cap, End, Valve, Steering	1
▲	3	74193	(000000–	) Spacer, Valve, Steering	1
▲	4	74222	(000000–	) Plate, Wear, Steering Valve	1
▲	5	74232	(000000–	) Pin, Valve, Steering	1
▲	6	21935	(000000–	) Bearing Kit [C]	1
▲	7	21933	(000000–	) Plug Assy [C]	1
▲	8	21934	(000000–	) Valve Assy, Relief [C]	1
▲	9	74243	(000000–	) Ring, Retainer, Steering Valve	1
▲	10	74196	(000000–	) Spring Kit, Scu [C]	1
▲	11	74244	(000000–	) Seal Kit, Steering [C]	1
▲	12	74245	(000000–	) Instr, Valve, Steering, Repair	1

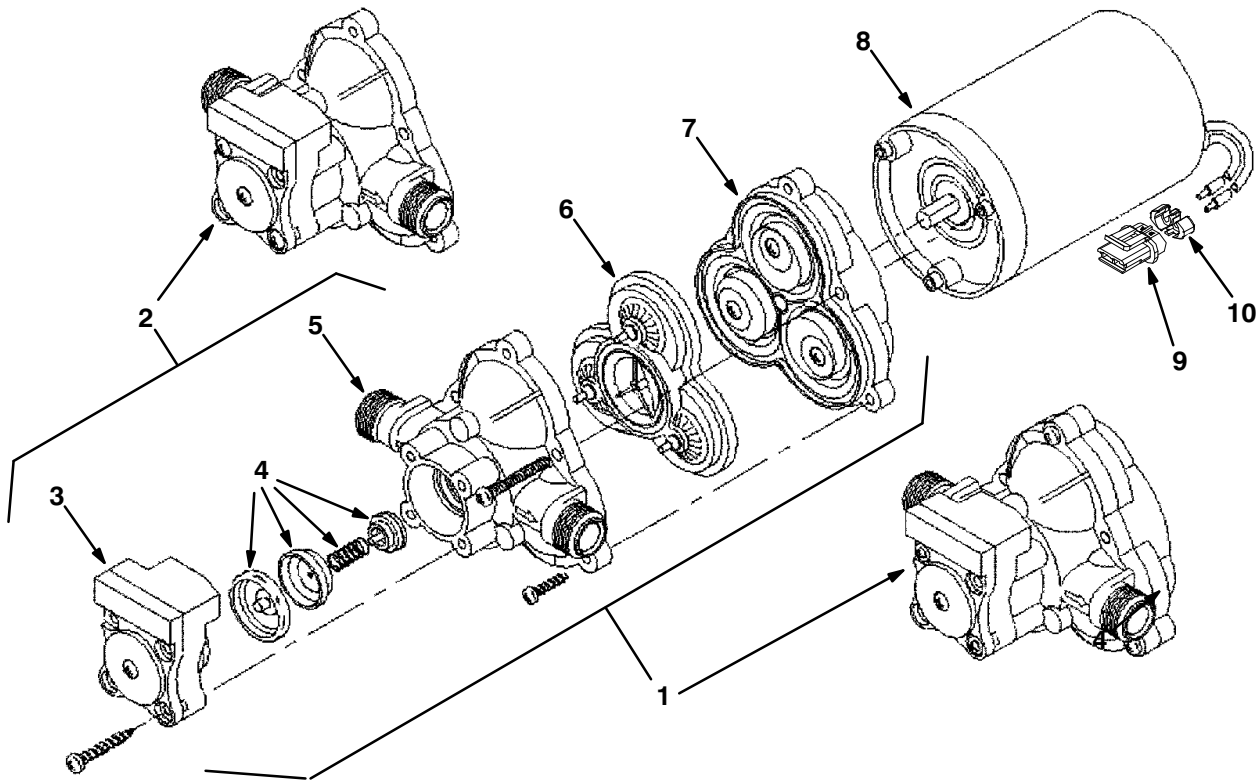
**Fig. 9 – Metering Solution Pump Breakdown, 73260**



00112 – ALL

Ref.	Part No.	Serial Number	Description	Qty.
▽	73260	(000000–	) Pump, Detgt, 14vdc, 150ml/Min 20psi	1
▲	1 63923	(000000–	) Tubing Connctr.Kit, Gorman Pmp	1
▲	2 21659	(000000–	) Valve Kit, Poppet, Gorman Rupp	1
▲	3 21657	(000000–	) Kit, Bellows, Pump, Detgt	1
▲	4 78875	(000000–	) Motor, Ele, Gear, 14vdc, Pump, Detgt	1
▲	5 02430	(000000–	) Crank Kit, Pump, F/79323, Replmt	1

**Fig. 10 – Water Pump Breakdown, 1026743**



07490 – 09670

Ref.	Part No.	Serial Number	Description	Qty.
▽	1026743	(000000–	) Pump, Diaphragm	1
▲	1	1031802	(000000–) Complete Pump Kit, Pump, Repair,	1
▲	2	1031803	(000000–) Hsg & Switch Kit, Pump, Repair,	1
▲	3	1031796	(000000–) Switch Kit, Pump, Repair,	1
▲	4	1031797	(000000–) Chech Valve Kit, Pump, Repair,	1
▲	5	1031798	(000000–) Upper Hsg Kit, Pump, Repair,	1
▲	6	1031799	(000000–) Bypass Valve Kit, Pump, Repair,	1
▲	7	1031800	(000000–) Diaphragm Kit, Pump, Repair,	1
▲	8	1031801	(000000–) Motor Kit, Pump, Repair,	1
▲	9	78950	(000000–) Connector, Fem, 02cav, Mp280 Sealed	1
▲	10	78952	(000000–) Lock, Secondary, 2cav, Mp280 Sealed	1
▲		78951	(000000–) Terminal, Fem, Mp280, Sealed, 18–16ga	2
▲		10917	(000000–) Seal, Wire, 14/16ga [Wp / Mp280 Sealed]	2

**Fig. 11 – ec-H2O Module Assembly Breakdown, 9007882**

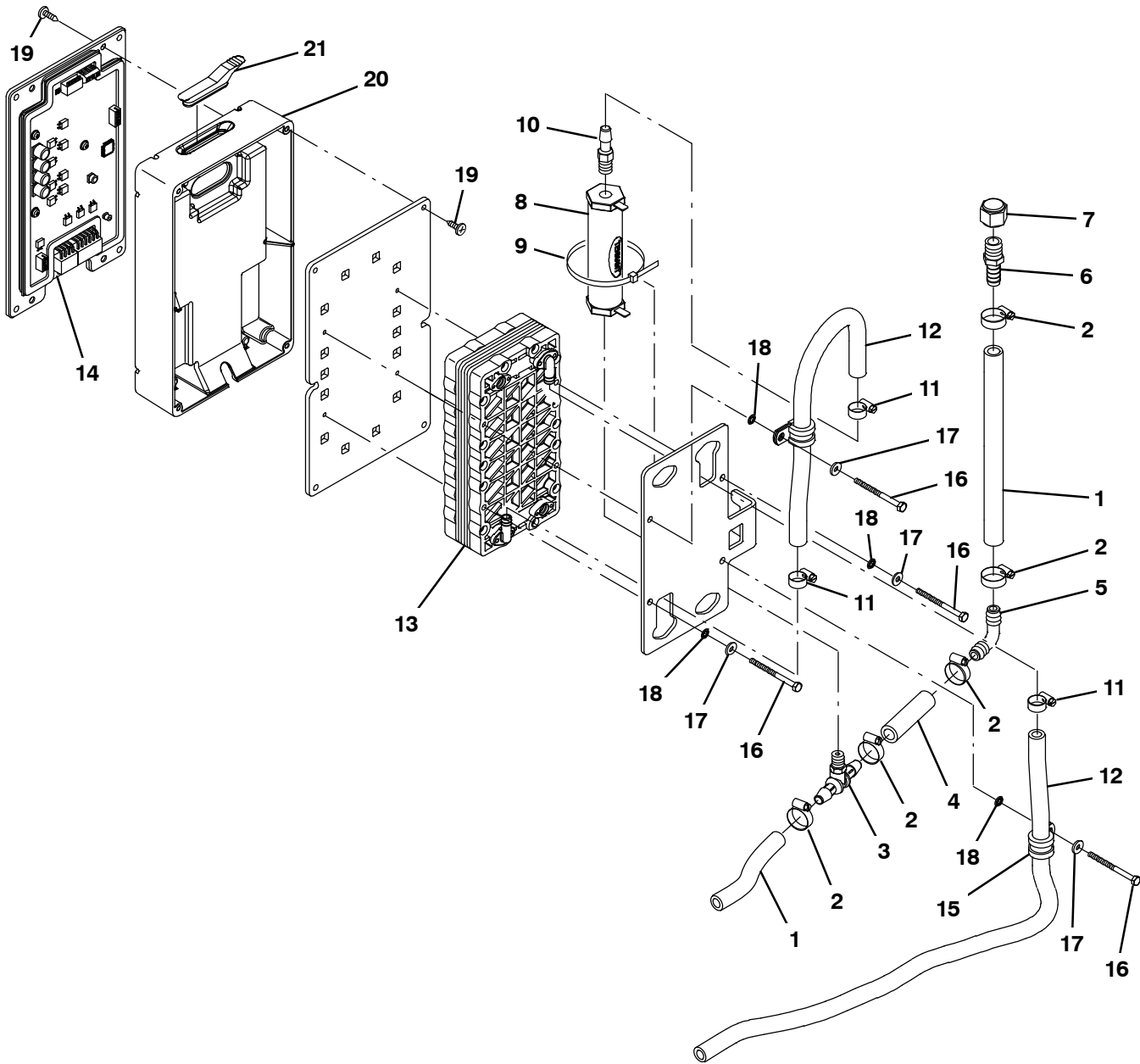




Fig. 11 – ec–H2O Module Assembly Breakdown, 9007882

Ref.	Part No.	Serial Number	Description	Qty.
▽	9007882	(000000–	) Module Kit, Replmt [Ec–H2O]	1
▲	1 1014974	(000000–	) Hose, Afmkt, Pvc, Brd, 0.38id, 02ft, Clr	2
▲	2 54333	(000000–	) Clamp, Hose, Wormdrive, 0.31–0.88d, .31w	5
▲	3 1060517	(000000–	) Fitting, Plstc, Tee, Bm06/Pm02/Bm06	1
▲	4 1014971	(000000–	) Hose, Afmkt, Pvc, Brd, 0.38id, 01ft, Clr	1
▲	5 20951	(000000–	) Fitting, Plstc, E90, Bm06/Bm06	1
▲	6 150540	(000000–	) Fitting, Plstc, Str, Bm06/Pm04	1
▲	7 1005435	(000000–	) Fitting, Plstc, Pipe, Cap, Pf04	1
▲	8 1062006	(000000–	) Electrode, Cylindrical	1
▲	9 44961	(000000–	) Tie, Cable, Nyl, 14.5l .30w 4.0 Max D	1
▲	10 1060695	(000000–	) Fitting, Plstc, Str, Pm02/Bm05	1
▲	11 43844	(000000–	) Clamp, Hose, Wormdrive, 0.25–0.62d, .31w	3
▲	12 1052336	(000000–	) Hose, Afmkt, PVC, Brd, 0.31ld, 03Ft, Clr	1
▲	13 1233516	(000000–	) Electrode, 5 Plate [De Nora Tech]	1
▲	14 9007883	(000000–	) Controller Kit, Replmt [Ec–H2O]	1
▲	15 1016354	(000000–	) Clamp, Cable, Ss, 0.50d X 0.50w [Insul]	2
▲	16 32509	(000000–	) Screw, Hex, M4 X 0.70 X 50, Ss	4
▲	17 41579	(000000–	) Washer, Flat, 08, Ss	4
▲	18 02938	(000000–	) Washer, Lock, Int, 08, Ss	4
▲	19 1018155	(000000–	) Screw, Pan, Phl, M5 X 0.80 X 16, Tcut,Ss	8
▲	20 1037032	(000000–	) Housing, Bottom	1
▲	21 1054776	(000000–	) Grommet, Blind	1

**Fig. 12 – Seat Breakdown, 9018721**

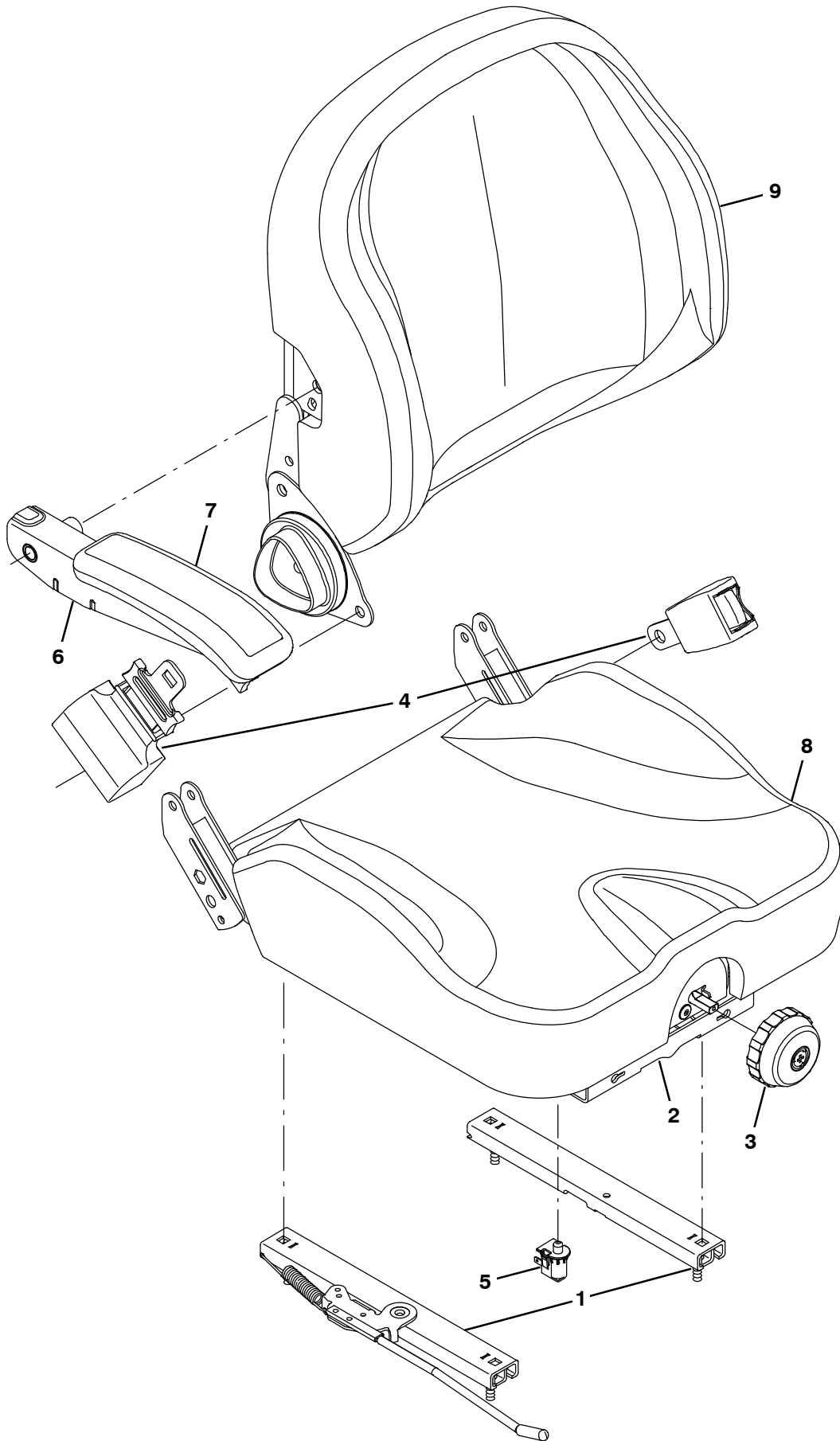


Fig. 12 – Seat Breakdown, 9018721

	Ref.	Part No.	Serial Number	Description	Qty.
▽		9018721	(000000–	) Seat, Deluxe, Replmt [M20/T20/M30]	1
▲	1	9012585	(000000–	) Track Assy, Slide	1
▲	2	9012587	(000000–	) Bellows, Seat	1
▲	3	9012589	(000000–	) Knobs, Adjmt, Weight	1
▲	4	9018734	(000000–	) Seatbelt, Retract, Orange, Replmt	1
▲	5	9012591	(000000–	) Switch, Seat	1
▲	6	9012592	(000000–	) Armrest	1
▲	7	9012593	(000000–	) Pad, Armrest	1
▲	8	9012594	(000000–	) Cover, Cushion	1
▲	9	9012595	(000000–	) Cover, Backrest	1

**Fig. 13 – Steering Gearbox Breakdown, 9015636**

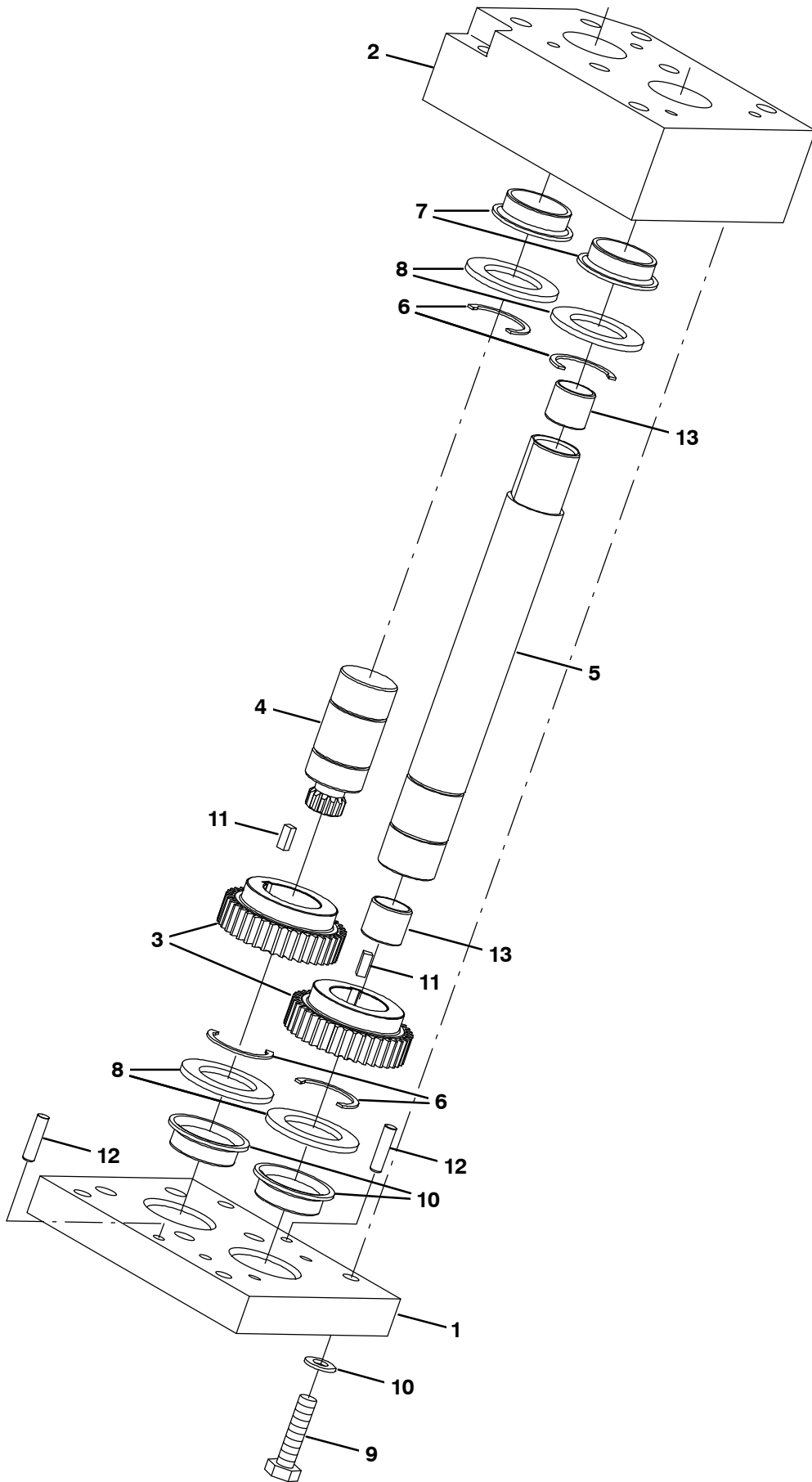
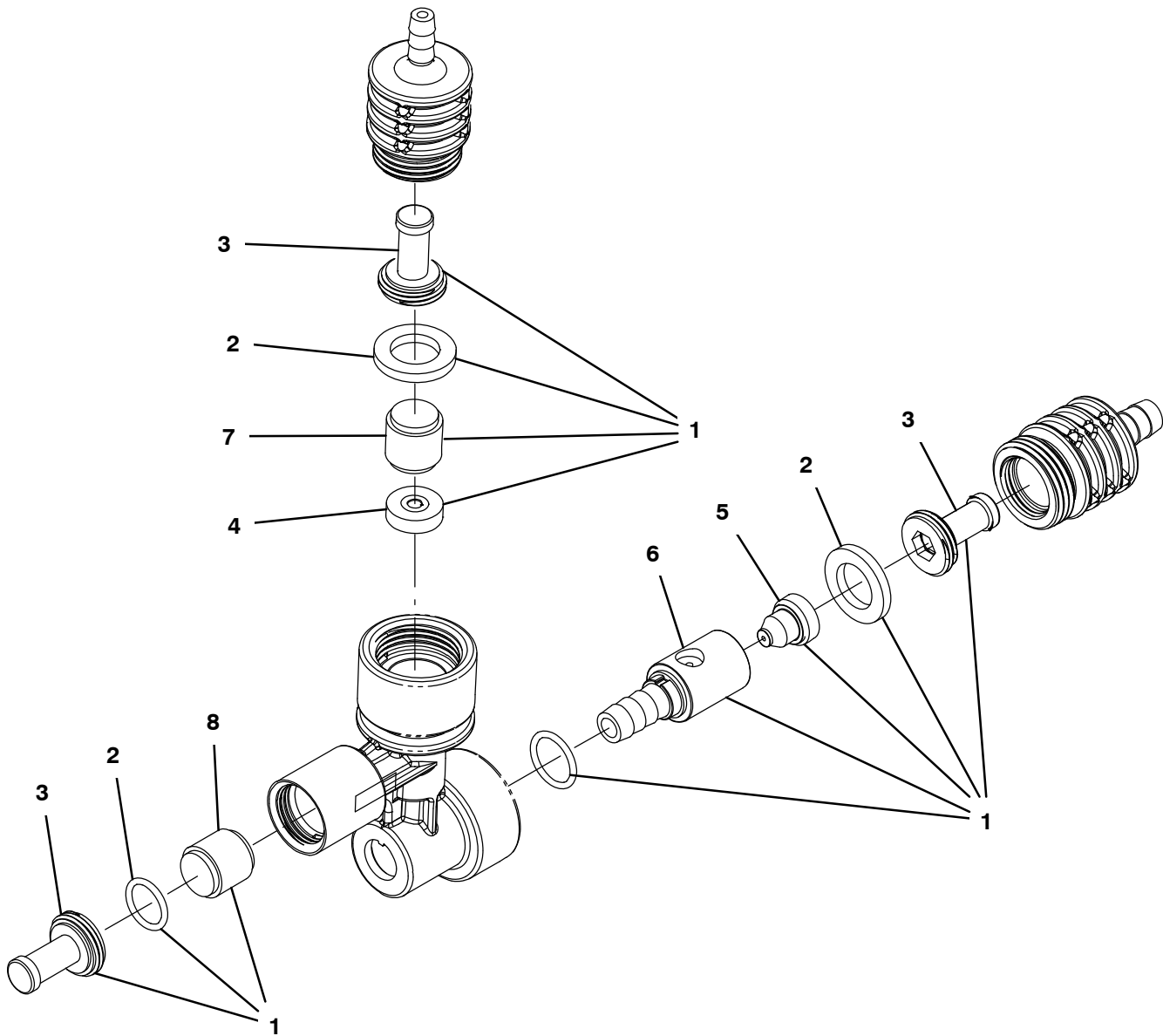


Fig. 13 – Steering Gearbox Breakdown, 9015636

	Ref.	Part No.	Serial Number	Description	Qty.
▽		9015636	(000000–	) Gearbox Kit, Steering, Afmkt[M20/30/T20]	1
▲	1	1224091	(000000–	) Housing, Gear, Top	1
▲	2	1224092	(000000–	) Housing, Gear, Bottom	1
▲	3	1222953	(000000–	) Gear, Steering	2
▲	4	1224093	(000000–	) Shaft, Gear, Orbital	1
▲	5	1224094	(000000–	) Shaft. Sterring	1
▲	6	59861	(000000–	) Ring, Retaining, Ext, 1.25d	4
▲	7	1210624	(000000–	) Bushing, Flng, 1.25b 1.41d 0.50l	4
▲	8	763024	(000000–	) Washer, Thrust, 1.26b 1.97d 0.13, Bnz	4
▲	9	41342	(000000–	) Screw, Hex, M8 X 1.25 X 40, 8.8	4
▲	10	39349	(000000–	) Washer, Flat, 0.31, Sae	4
▲	11	00961	(000000–	) Key, Sq, 0.19 X 0.19, 0.50l	2
▲	12	83043	(000000–	) Pin, Dowel, 0.2502d X 1.00l	2
▲	13	1057785	(000000–	) Bearing, Journal, 0.75b 0.88d 0.75l	2

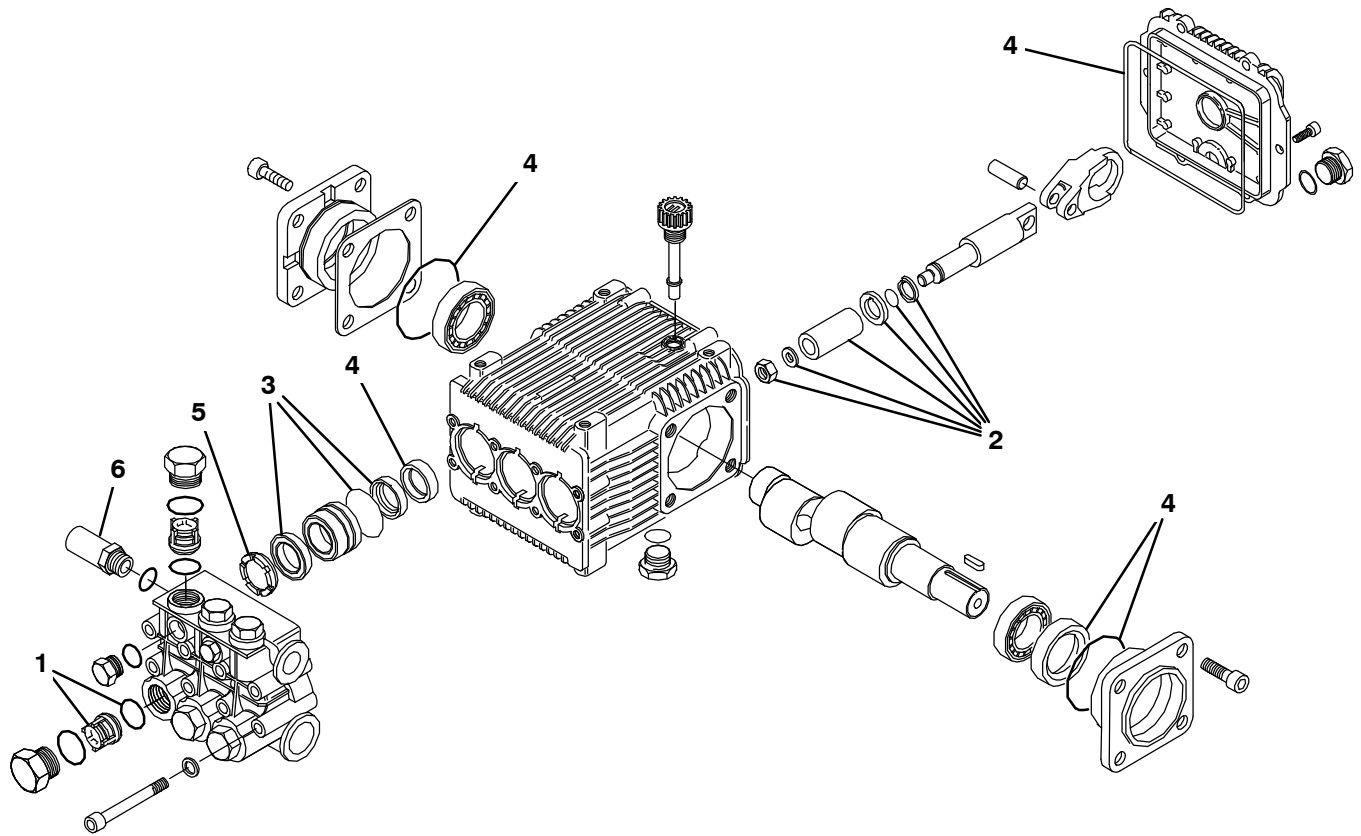
**Fig. 14 – FaST Injector Assembly Breakdown, 9008868**



356271

Ref.	Part No.	Serial Number	Description	Qty.
▽	9008868	(000000–	) FaST Kit, Injector [M20/T20/m30 FaST III}	1
▲▽	1	9008757	(000000– ) FaST Kit, Ci [inj Reblid, M30/M20 III]	1
▲▲	2	9008848	(000000– ) FaST Kit, Seal, injector, Ci [FaST III]	1
▲▲	3	9003009	(000000– ) FaST Kit, Ci, Injector Filters[FaST li+]	1
▲▲	4	1059878	(000000– ) Plate Assy, Orifice, 0.0105ld, Green	1
▲▲	5	1042710	(000000– ) Plug, Orifice, 0.060, Ss [FaST li+]	1
▲▲	6	1059234	(000000– ) Insert, :Lrg [Venturi, FaST III]	1
▲▲	7	1030444	(000000– ) Valve, Check, 0002psi [FaST li+]	1
▲▲	8	1030441	(000000– ) Valve, Check, 0005psi [FaST li+]	1

**Fig. 15 – Water Pump Motor Breakdown, 1225829**



354649

Ref.	Part No.	Serial Number	Description	Qty.
▽	1225829	(000000–	) Pump, Hyd, Press Washer	1
▲	1 9004290	(000000–	) Valve Kit	1
▲	2 9004291	(000000–	) Piston Kit	1
▲	3 9004288	(000000–	) Seal Kit [Buna]	1
▲	3 9004272	(000000–	) Seal Kit [Vitron]	1
▲	4 9004289	(000000–	) Seal Kit, Oil	1
▲	5 9004292	(000000–	) Ring Kit, Spt	1
▲	6 1227137	(000000–	) Valve, Hyd, Press Washer	1

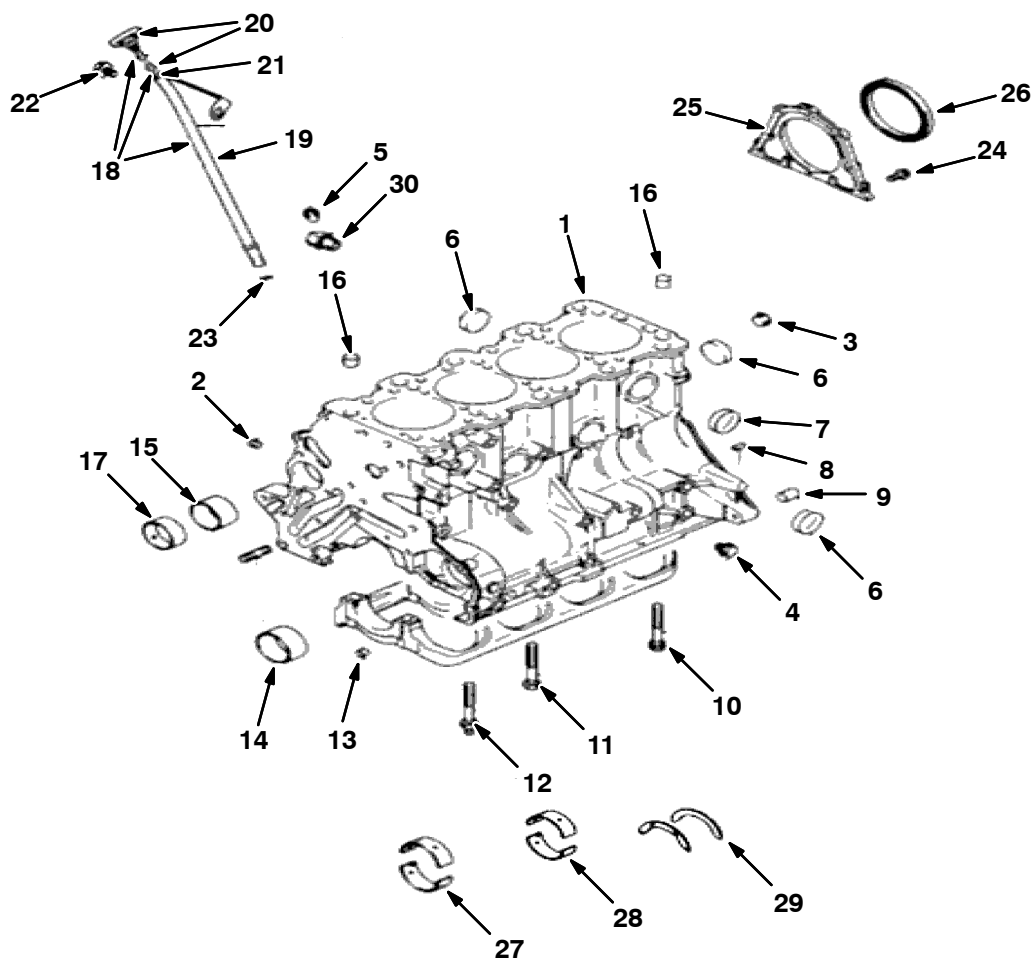




# SECTION 5

Contents	Page
Fig. 1 – Cylinder Block Group .....	5-2
Fig. 2 – Rocker Cover Group .....	5-4
Fig. 3 – Cylinder Head Group .....	5-5
Fig. 4 – Front Cover and Oil Pan Group ....	5-6
Fig. 5 – Camshaft and Valve Group .....	5-8
Fig. 6 – Piston and Crankshaft Group .....	5-10
Fig. 7 – Balancer Group .....	5-11
Fig. 8 – Oil Pump and Pressure Switch Group .....	5-12
Fig. 9 – Water Pump Group .....	5-13
Fig. 10 – Intake Manifold Gasket Group ...	5-14
Fig. 11 – Exhaust Manifold Gasket Group ..	5-16
Fig. 12 – Fan Tensioner and Pump Mount Group .....	5-17
Fig. 13 – Flywheel Group .....	5-18
Fig. 14 – Ignition Coil and Spark Plug Group .....	5-19
Fig. 15 – Starter / Alternator Group .....	5-20
Fig. 16 – Remote Oil Filter Group .....	5-21
Fig. 17 – Coolant Group .....	5-22
Fig. 18 – DSR Coolant Group, LPG Engine	5-23
Fig. 19 – Electrical Group .....	5-24
Fig. 20 – Fuel Rail Group, Gasoline Engine	5-26
Fig. 21 – Throttle Body Group, Gasoline Engine .....	5-27
Fig. 22 – Throttle Body Group, LPG Engine	5-28
Fig. 23 – Vaporizer Group, LPG Engine ...	5-29
Fig. 24 – Electronic Pressure Regulator (EPR) Group, LPG Engine .....	5-30

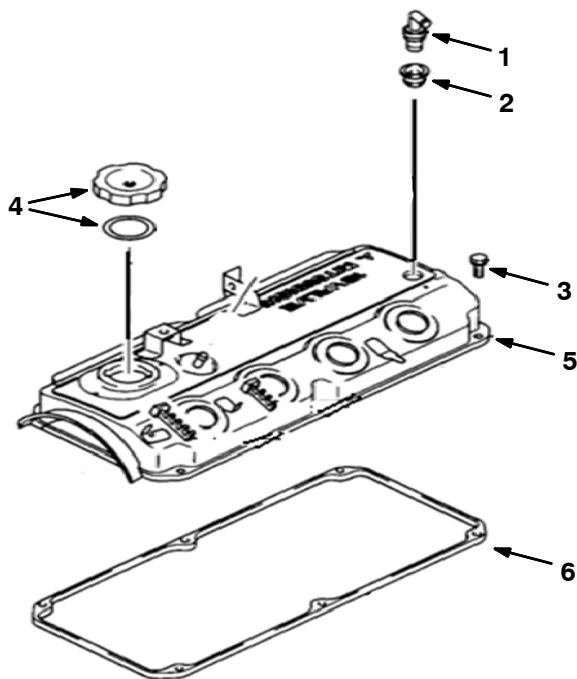
Fig. 1 - Cylinder Block Group



**Fig. 1 – Cylinder Block Group**

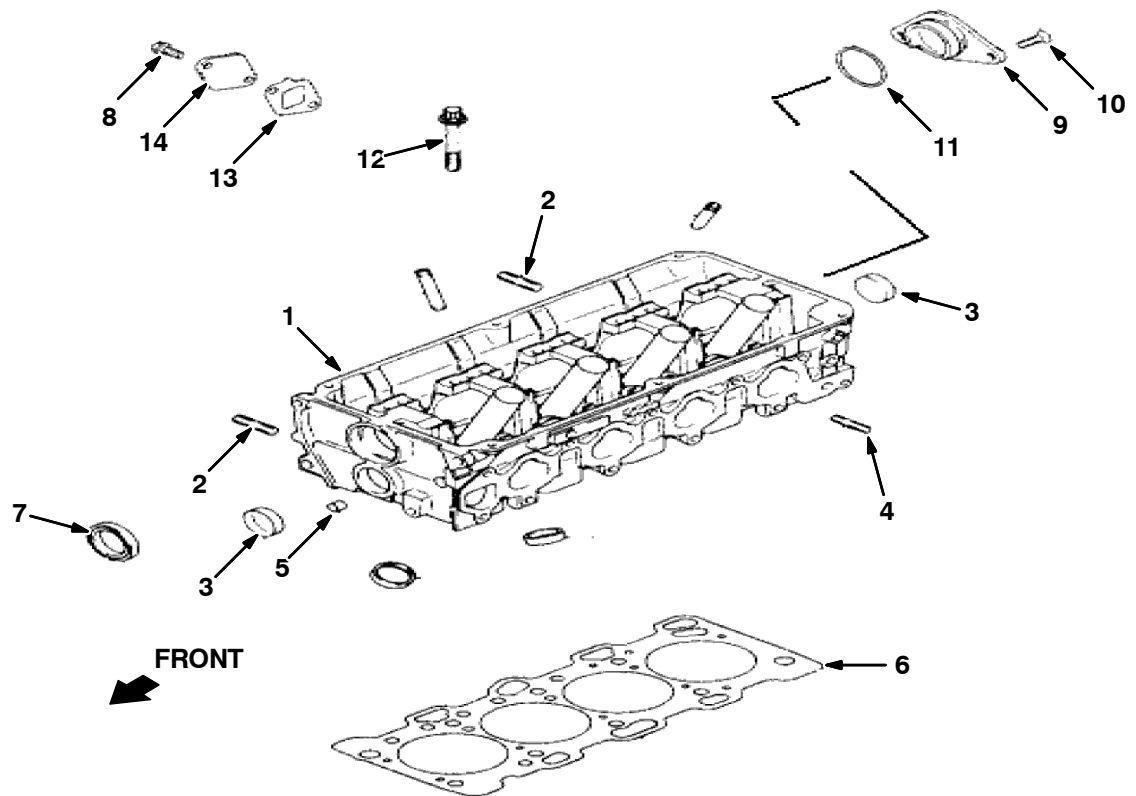
	<b>Ref.</b>	<b>Part No.</b>	<b>Description</b>	<b>Qty.</b>
▽	1	9010419	Block Assy, Cylinder	1
▲	2	9010420	Plug, Taper	2
▲	3	9010421	Plug, Taper	1
▲	4	9010422	Plug	1
▲	5	9010423	Plug, Taper	1
▲	6	9010424	Cap, Seal	7
▲	7	9010425	Cap, Seal	2
▲	8	9010426	Pin, Dowel	2
▲	9	9010427	Bushing, Knock	2
▲	10	9010428	Bolt, Cap, Bearing	2
▲	11	9010429	Bolt, Cap, Bearing	7
▲	12	9010430	Bolt, Cap, Bearing	1
▲	13	9010431	Bushing	2
▲	14	9010432	Bearing, Std, Balancer	1
▲	14	9010433	Bearing, Oversize [1.0]	1
▲	15	9010434	Bearing, Std, Balancer	1
▲	15	9010435	Bearing, Oversize [1.0]	1
▲	16	9010436	Bushing, Knock	2
▲	17	9010458	Bearing, Shaft, Std, Balancer	1
▲	17	9010459	Bearing, Shaft, Balancer [ OvrSz]	1
▽	18	9010439	Dipstick Assy, Guage	1
▲	19	9010440	Dipstick, Guage, Guide	1
▲▽	20	9015866	Dipstick, Oil	1
▲▲	21	9010438	O-Ring	1
	22	9010441	Bolt, Flange	1
	23	9010442	O-Ring	1
	24	9010444	Bolt, Flange	5
	25	9010445	Seal, Case, Oil, Rear	1
	26	9010446	Seal, Oil	1
	27	9010447	Bearing, Cshft [Green Std 1,2,4,5]	4
	27	9010448	Bearing, Cshft [Yellow Std 1,2,4,5]	4
	27	9010449	Bearing, Cshft[No Color Std 1,2,4,5]	4
	27	9010450	Bearing, Cshft [ Lan Std 1,2,4,5]	4
	27	9010451	Bearing, Cshft [ Red Std 1,2,4,5]	4
	28	9010452	Bearing, Cshft [ Green Std 3]	1
	28	9010453	Bearing, Cshft [ Yellow Std 3]	1
	28	9010454	Bearing, Cshft [ No Color Std 3]	1
	28	9010455	Bearing, Cshft [ Lan Std 3]	1
	28	9010456	Bearing, Cshft [ Black Std 3]	1
	29	9010457	Bearing, Thrust, Cshft	1
	30	9010443	Drain, Water, Joint	1

Fig. 2 – Rocker Cover Group



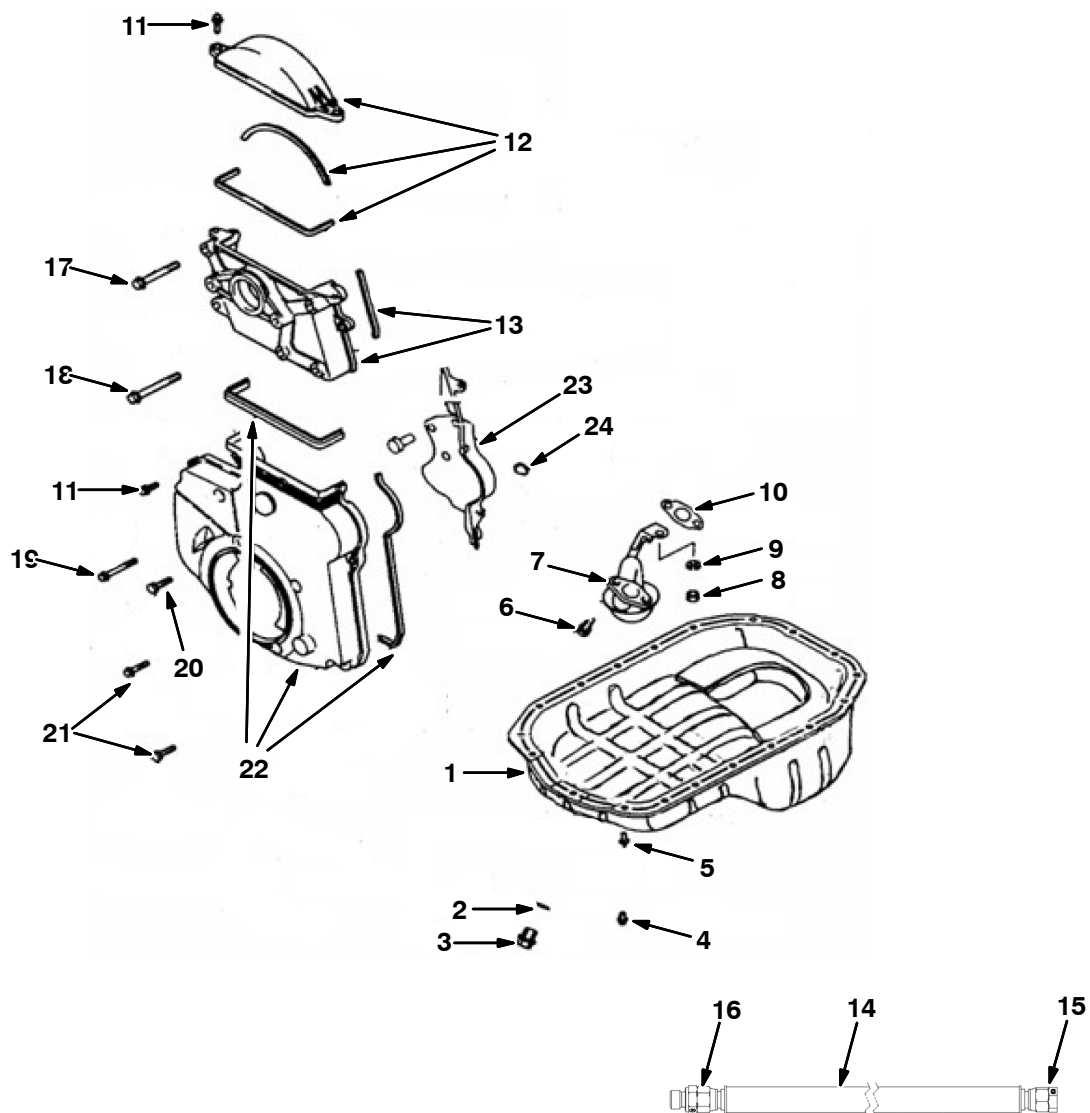
Ref.	Part No.	Description	Qty.
1	9010460	Valve, Pcv	1
2	9010461	Valve, Gasket, Pcv	1
3	9010462	Bolt, Rocker, Cover	6
4	9010464	Cap, Oil, Filler	1
5	9010466	Cover Assy, Rocker	1
6	9010465	Gasket, Cover, Rocker	1

Fig. 3 – Cylinder Head Group



Ref.	Part No.	Description	Qty.	
▽	1	9014162	Head Kit, Cyl [Mitsubishi 2015 12mm]	1
▲▽		9014161	Head Assy, Cylinder[Mits 2015 12mm]	1
▲▲	2	9010473	Stud	2
▲▲	3	9010469	Seal, Cap	2
▲▲	4	9010470	Stud	3
▲▲	5	9010431	Bushing	2
▲	6	9010468	Gasket, Cylinder, Head	1
▲		9010465	Gasket, Cover, Rocker	1
▲		9014160	Plug, Spark [Mitsubishi 2015 12mm]	4
	7	9010471	Seal, Cam Shaft, Front	1
	8	9010441	Bolt, Flange	2
	9	9010480	Thurst, Case	1
	10	9010481	Screw	2
	11	9010482	O-Ring	1
	12	9010484	Cylinder Assy, Head, Bolt	10
	13	9010483	Gasket	1
	14	9010485	Cover	1

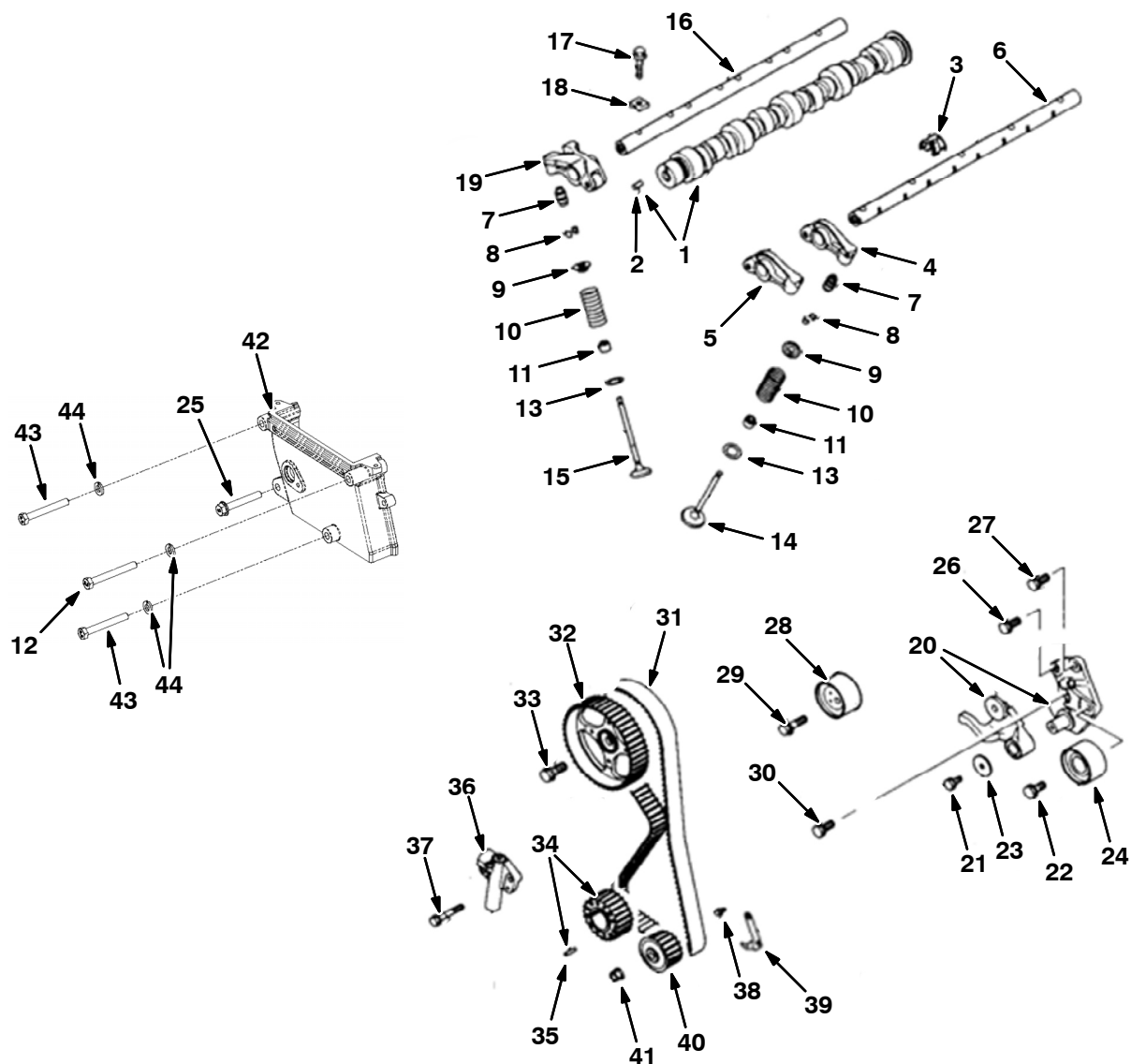
**Fig. 4 - Front Cover and Oil Pan Group**



**Fig. 4 – Front Cover and Oil Pan Group**

	<b>Ref.</b>	<b>Part No.</b>	<b>Description</b>	<b>Qty.</b>
▽	1	9010487	Pan, Oil	1
▲	2	9010488	Gasket, Plug, Drain, Oil	1
▲	3	9010489	Plug, Oil, Drain	1
	4	9010490	Bolt, Flange	17
	5	9010491	Bolt, Flange	2
	6	9010492	Washer, Bolt	2
	7	9010493	Screen, Oil	1
	8	9010494	Nut, Strainer	1
	9	9010495	Washer, Strainer	1
	10	9010496	Gasket, Screen	1
	11	9010497	Bolt, Flange	8
	12	9010498	Cover Assy, Front, Upper [T-Belt]	1
	13	9010502	Bracket Assy, Coil, Ignition	1
	14	9010311	Hose, Drain, Oil [Mit 20/24m]	1
	15	9010312	Plug, Flare, 37deg [Mit]	1
	16	9010313	Fitting, 37deg [Mit]	1
	17	9010503	Bolt, Flange	3
	18	9010504	Bolt, Flange	1
	19	9010505	Bolt, Flange	1
	20	9010506	Bolt	2
	21	9010507	Bolt	2
	22	9010508	Cover, Lower, Front [T-Belt]	1
	23	9010511	Cover, Rear [T-Belt]	1
	24	9010512	Plug, Rubber	1

Fig. 5 - Camshaft and Valve Group

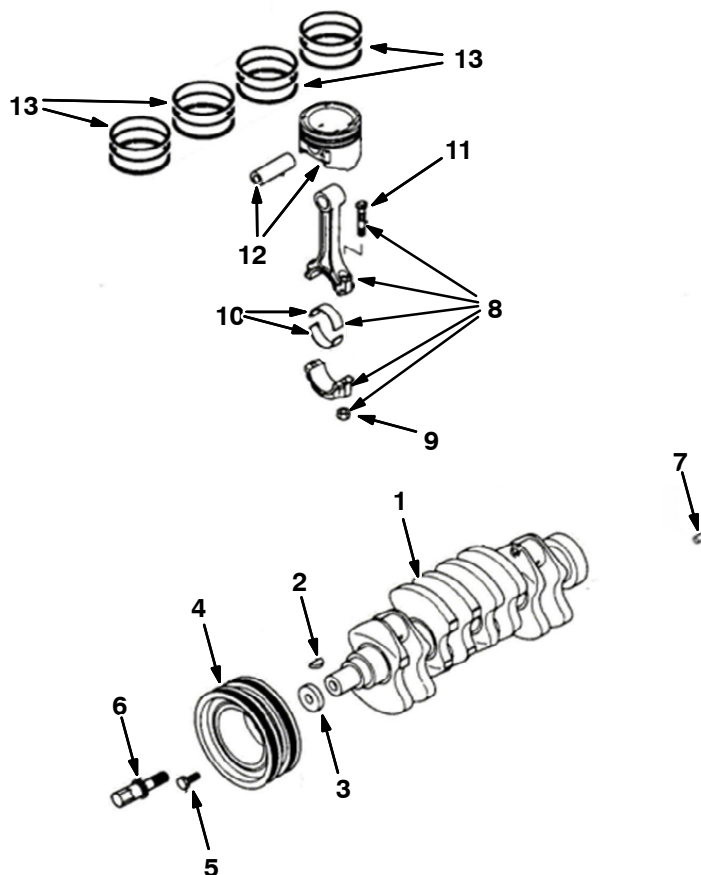




**Fig. 5 – Camshaft and Valve Group**

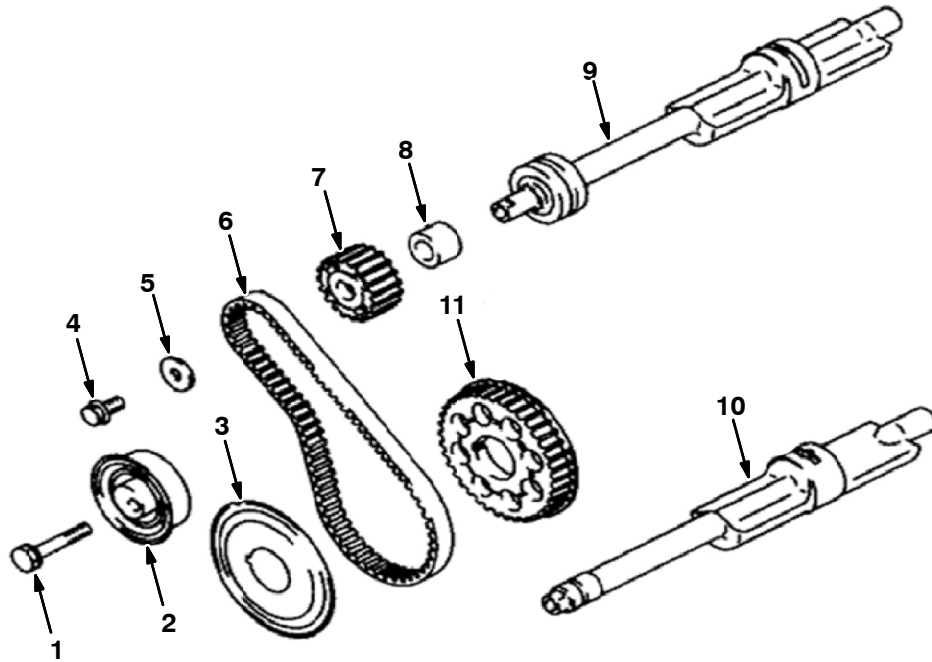
	<b>Ref.</b>	<b>Part No.</b>	<b>Description</b>	<b>Qty.</b>
▽	1	9010530	Camshaft Assy	1
▲	2	9010535	Pin, Dowel	1
	3	9010532	Shaft, Spring, Rocker	4
	4	9010533	Arm Assy, Rocker [B]	4
	5	9010534	Arm Assy, Rocker [A]	4
	6	9010531	Shaft, Arm , Rocker	1
	7	9010536	Adjuster Assy, Lash	16
	8	9010537	Valve, Spring, Lock	32
	9	9010538	Valve, Spring, Retainer	16
	10	9010539	Valve, Spring	16
	11	9010540	Valve, Seal, Stem	16
	12	9010253	Bolt, M8-1.25 X 70 Hxhd [Mit]	1
	13	9010541	Valve, Spring, Seat	16
	14	9010542	Valve, Inlet	8
	15	9010543	Valve, Exhaust	8
	16	9010544	Shaft, Arm, Rocker	1
	17	9010545	Bolt, Flange	13
	18	9010546	Shaft, Cap, Rocker	13
	19	9010547	Arm Assy, Rocker [C]	4
▽	20	9010548	Bracket, Pulley, Tensioner	1
▲	21	9010549	Bolt, Washer	1
▲	22	9010550	Bolt, Washer	1
▲	23	9010551	Washer	1
▲	24	9010552	Pulley, Idler	1
	25	9010254	Bolt, M8-1.25 X 55 Fi Hd [Mit]	1
	26	9010554	Bolt, Seal	1
	27	9010555	Bolt, Washer	1
	28	9010556	Pulley, Tensioner	1
	29	9010557	Bolt, Washer	1
	30	9010550	Bolt, Washer	1
	31	9010559	Belt, Timing	1
	32	9010560	Sprocket, Camshaft	1
	33	9010561	Bolt, Flange	1
▽	34	9010562	Sprocket Assy, Cshft	1
▲	35	9010563	Pin, Spring	1
	36	9010564	Tensioner	1
	37	9010565	Bolt, Flange	2
	38	9010491	Bolt, Flange	2
	39	9010567	Bracket, Indicator, Timing	1
	40	9010568	Sprocket, Pump, Oil	1
	41	9010569	Nut	1
	42	9010250	Cover, Timing, Gear [Mit 2.0/2.4]	1
	43	9010251	Bolt, M8-1.25 X 65 Hxhd [Mit]	2
	44	9010252	Washer, Lock, M8 [Mit]	3

Fig. 6 – Piston and Crankshaft Group



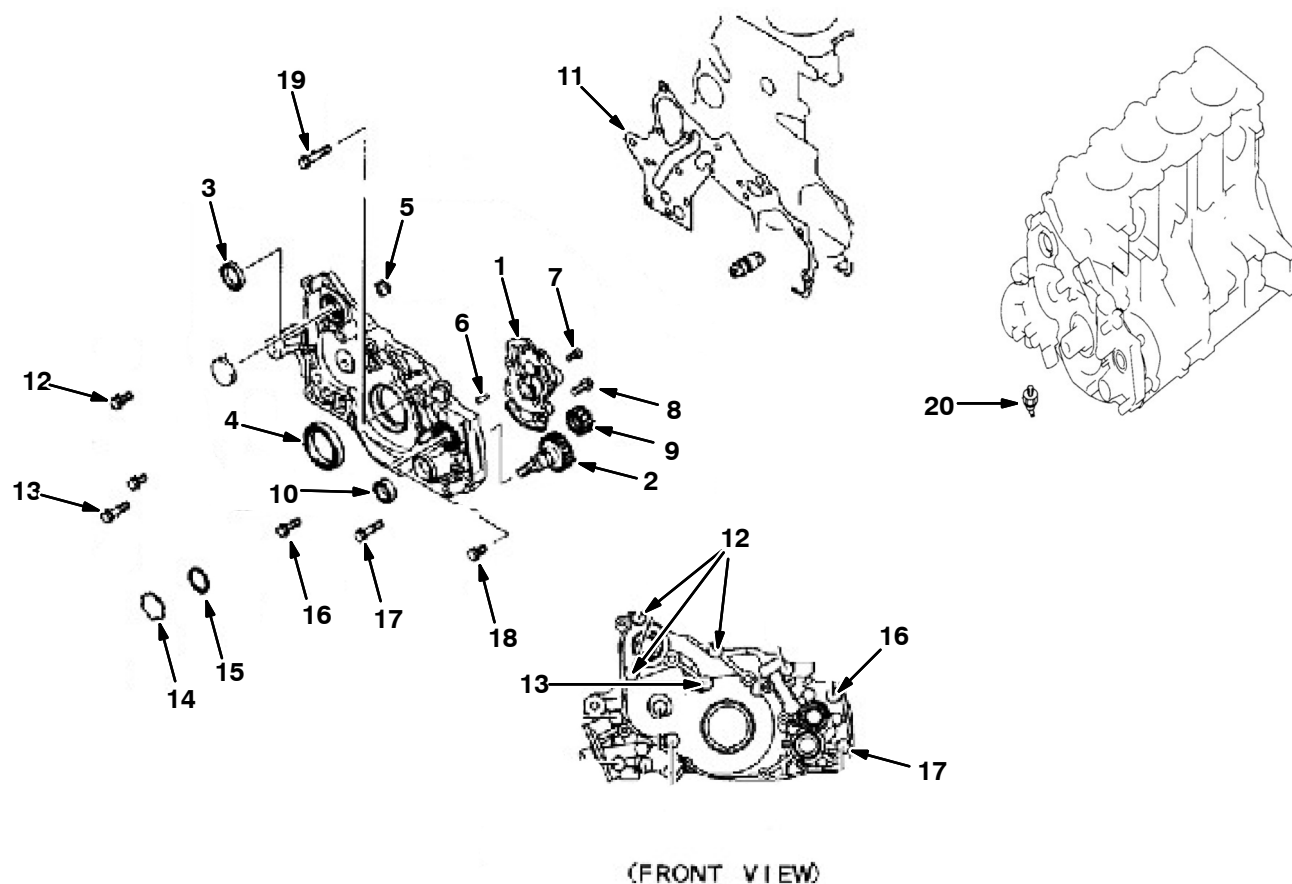
Ref.	Part No.	Description	Qty.	
1	9010513	Crankshaft Assy	1	
2	9010514	Key	1	
3	9010515	Washer, Special	1	
4	9010516	Pulley Assy, Damper, Torsional	1	
5	9010517	Bolt, Washer	4	
6	9010518	Bolt, Sprocket, Cshft	1	
7	9010519	Pin, Dowel	1	
▽	8	9010520	Rod Assy, Connecting	4
▲	9	9010521	Nut	8
▲	10	9010522	Bearing, Rod, Connect [Yellow Std]	4
▲	10	9010523	Bearing, Rod, Connect [No Color Std]	4
▲	10	9010524	Bearing, Rod, Connect [ Lan Std]	4
▲	11	9010525	Bolt, Connecting	8
12	9010526	Piston, Pin [Std A]	4	
12	9010527	Piston, Pin [Std B]	4	
12	9010528	Piston, Pin [Std C]	4	
13	9010529	Piston Set, Ring	1	

Fig. 7 – Balancer Group



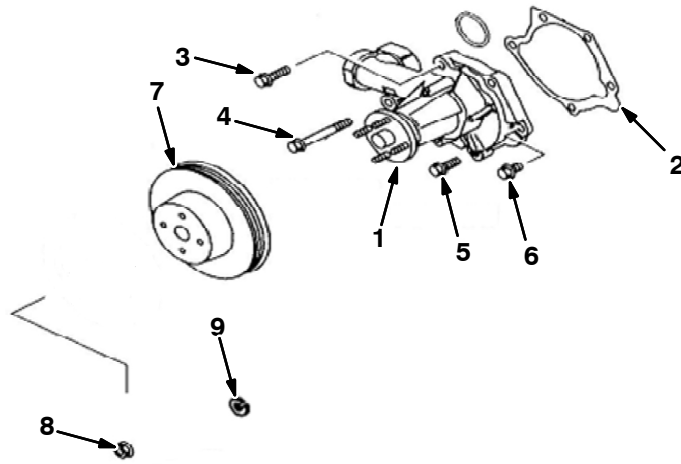
Ref.	Part No.	Description	Qty.
1	9010570	Bolt, Belt, Balancer, Train	1
2	9010571	Tensioner, Timing, Belt	1
3	9010572	Flange, Sprocket, Cshft	1
4	9010600	Bolt, Flange	1
5	9010574	Washer, Belt, Balancer, Train	1
6	9010575	Belt, Timing	1
7	9010576	Sprocket, Shaft, Balancer	1
8	9010577	Spacer, Belt, Balancer, Train	1
9	9010578	Shaft, Right, Balancer	1
10	9010579	Shaft, Left, Balancer	1
11	9010580	Sprocket, Cshft	1

Fig. 8 – Oil Pump and Pressure Switch Group



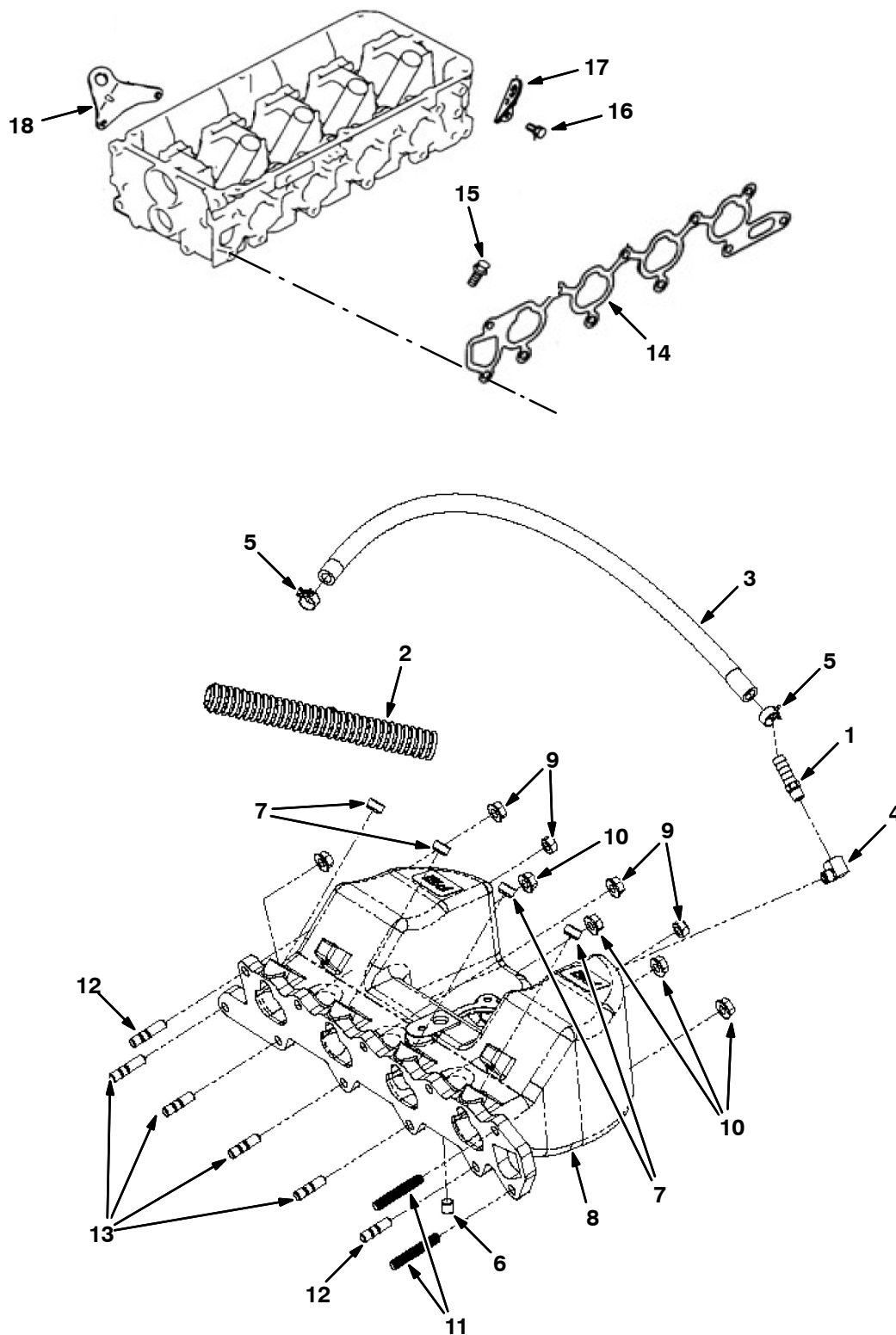
Ref.	Part No.	Description	Qty.	
▽	1	9010582	Pump, Oil	1
▲	2	9010592	Pump, Gear, Drive, Oil	1
▲	3	9010585	Seal, Oil	1
▲	4	9010586	Seal, Oil	1
▲	5	9010587	Plug, Tapper	1
▲	6	9010426	Pin, Dowel	2
▲	7	9010589	Screw	1
▲	8	9010590	Bolt, Flange	4
▲	9	9010591	Pump, Gear, Oil	1
▲	10	9010601	Seal, Oil	1
	11	9010593	Gasket, Case, Front	1
	12	9010594	Bolt, Washer	3
	13	9010595	Bolt, Washer	1
	14	9010596	Plug, Cap	1
	15	9010597	O-Ring	1
	16	9010598	Bolt, Flange	1
	17	9010599	Bolt, Flange	1
	18	9010600	Bolt, Flange	1
	19	9010583	Bolt, Flange	1
	20	9010259	Sender, Oil, Press [Mit] (3 Prong)	1

Fig. 9 - Water Pump Group



Ref.	Part No.	Description	Qty.
1	9010602	Pump, Water	1
2	9010603	Gasket, Pump, Water	1
3	9010604	Bolt, Flange	1
4	9010503	Bolt, Flange	1
5	9010606	Bolt, Flange	2
6	9010607	Bolt, Flange	1
7	9010612	Pulley, Pump, Water	1
8	9010609	Nut, Flange	4
9	9010610	Washer, Spring	4

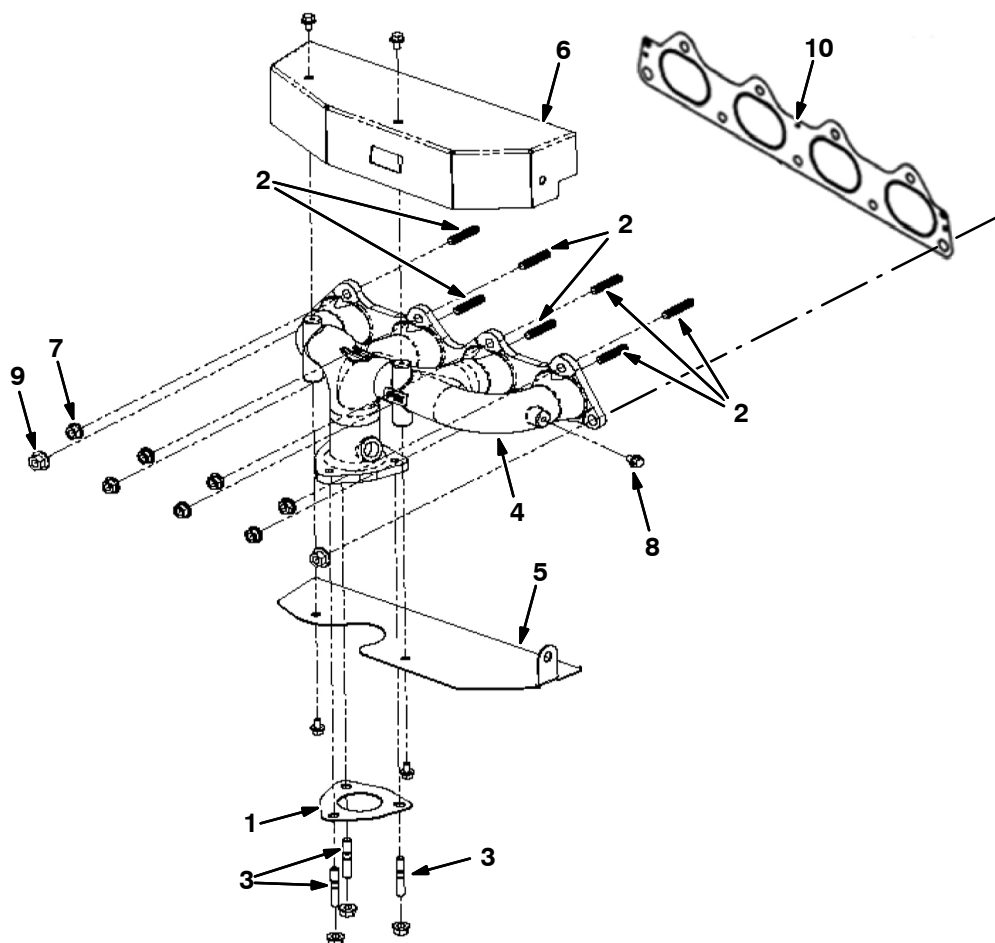
Fig. 10 - Intake Manifold Gasket Group



**Fig. 10 – Intake Manifold Gasket Group**

<b>Ref.</b>	<b>Part No.</b>	<b>Description</b>	<b>Qty.</b>
1	9010382	Fitting, 1/8 Mpt X 3/8 Hb [Mit]	1
2	9010281	Loom, Convolute, Split 5/8 [Mit]	17"
3	385001	Hose, Fuel, .38d, Rbr[16"L]	20"
4	9010383	Elbow, 1/8m X 1/8f, 90 [Mit]	1
5	9010282	Clamp, 3/8id [Mit Olive Green]	2
6	9010283	Plug, 1/8 Npt, Brs, Skt Hd [Mit]	1
7	9010284	Plug, Injector [Mit]	4
8	9010285	Manifold, Intake [Mit 20/24m Tilt]	1
9	9010286	Nut, M8-1.25 [Mit]	2
10	385015	Nut, Flng, M8	7
11	9010287	Stud, M8-1.25 X 50 Full Thrd [Mit]	2
12	9010288	Stud, M8-1.25 X 35 [Mit Double End]	2
13	9010384	Stud, M8-1.25 X 30 [Mit Double End]	4
14	9010613	Gasket, Manifold, Intake	1
15	9010606	Bolt, Flange	2
16	9010615	Bolt, Manifold, Inlet	1
17	9010617	Hanger, Engine	1
18	9010618	Hanger, Engine	1

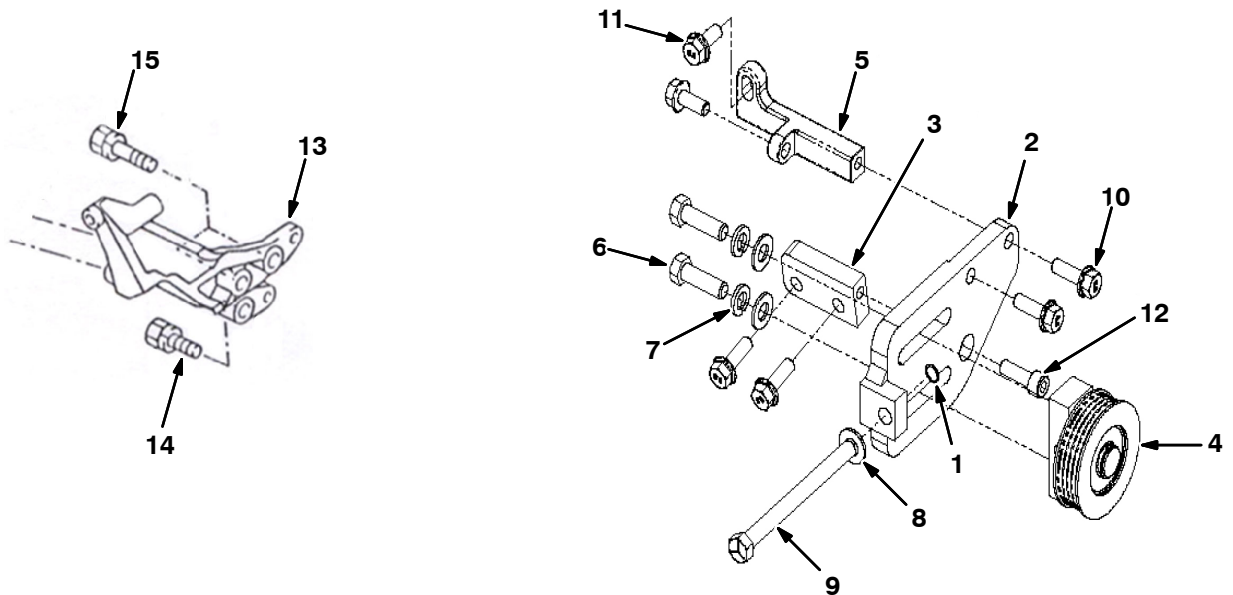
**Fig. 11 – Exhaust Manifold Gasket Group**



Ref.	Part No.	Description	Qty.
1	9010296	Gasket, Manifold, Exh [Mit]	1
2	9010297	Stud, M8-1.25 X 40 [Mit]	7
3	372020	Stud, Manifold, Intake, M8 X 28	3
4	9010298	Manifold, Exhaust [Mit 2.0/2.4]	1
5	9010302	Shield, Heat, Lower [Mit 20/24m]	1
6	9010303	Shield, Heat, Upper [Mit 20/24m]	1
7	9015915	Nut [2.4l Mit]	10
8	9010262	Bolt, M6-1.0 X 10 Fl Hd [Mit]	5
9	9015916	Nut [2.4l Mit]	2
10	9010619	Gasket, Manifold, Exhaust	1

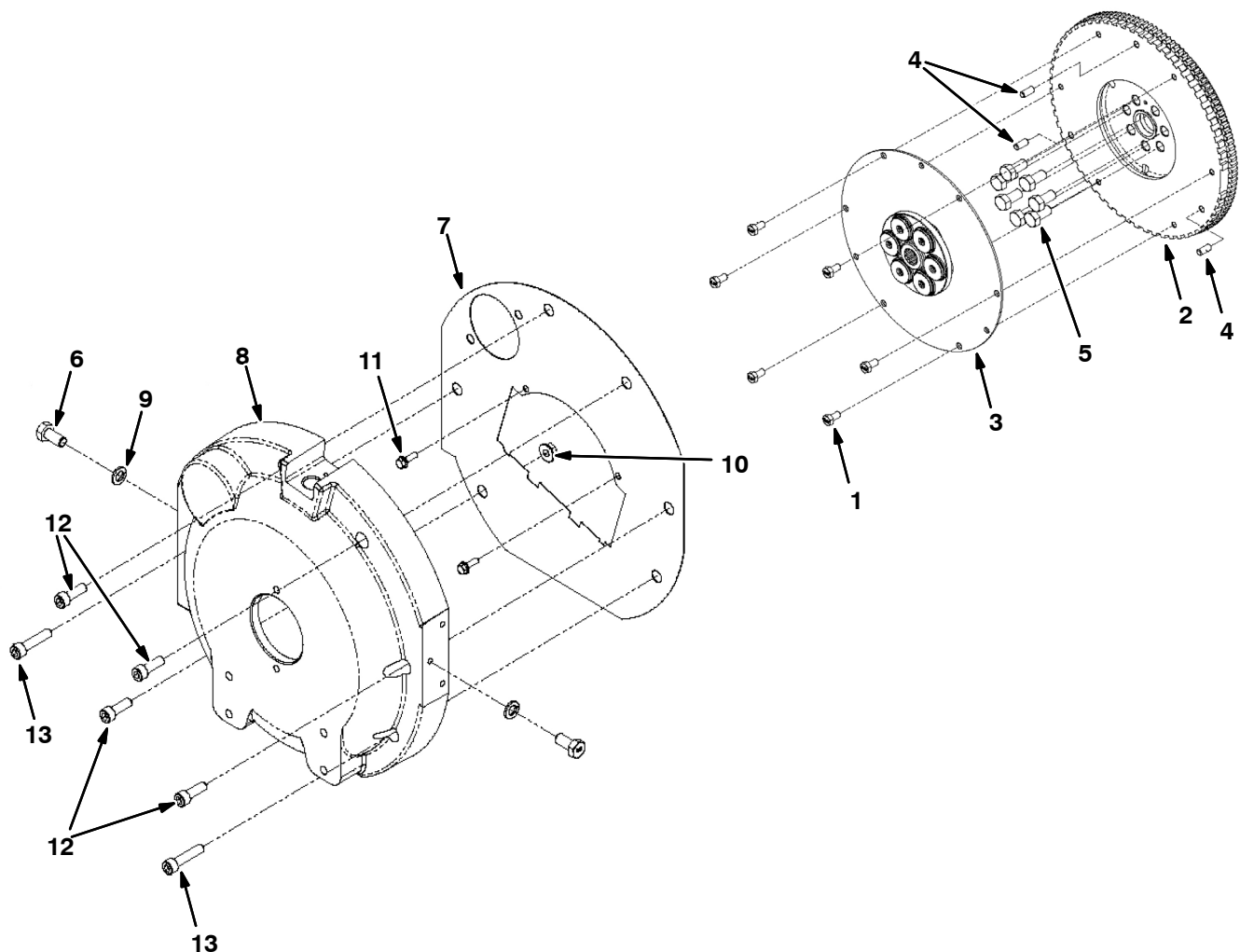


Fig. 12 – Fan Tensioner and Pump Mount Group



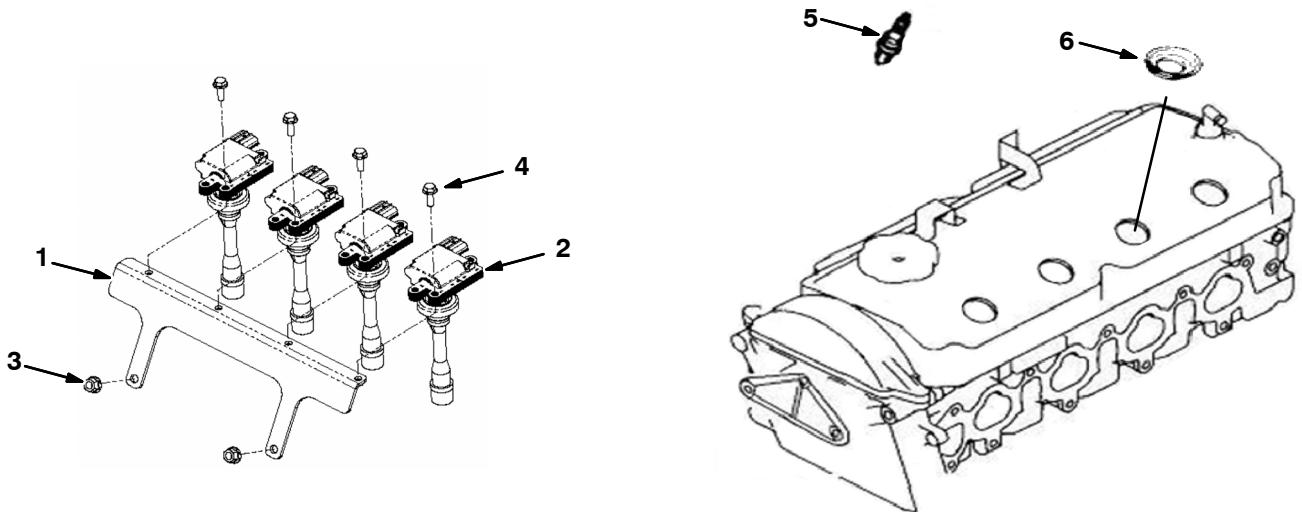
Ref.	Part No.	Description	Qty.
1	371562	Ring, Retaining	1
2	9010222	Plate, Tensioner, Adj [Mit 2.0/2.4]	1
3	9010223	Bar, Tensioner, Mtg [Mit 2.0/2.4]	1
4	9010224	Pulley, Tensioner, Assy[Mit2.0/2.4]	1
5	9010225	Bracket, Tensioner, [Mit 2.0/2.4]	1
6	9010226	Bolt, 3/8-16 X 1 1/4 Hxhd [Mit]	2
7	371509	Washer, Lock, 0.38	2
8	9010227	Washer, Flat 3/8, Sae	3
9	9010228	Bolt, 3/8-16 X 4.5 [Mit]	1
10	9010229	Bolt, M8-1.25 X 25 [Mit]	4
11	9010230	Bolt, M8-1.25 X 20 Fl Hd [Mit]	2
12	9010231	Bolt, M8-1.25 X 25 Soc Hd [Mit]	1
13	9010623	Bracket, Pump, Mtg	1
14	9010624	Bolt, Washer	1
15	9010625	Bolt, Washer	2

Fig. 13 – Flywheel Group



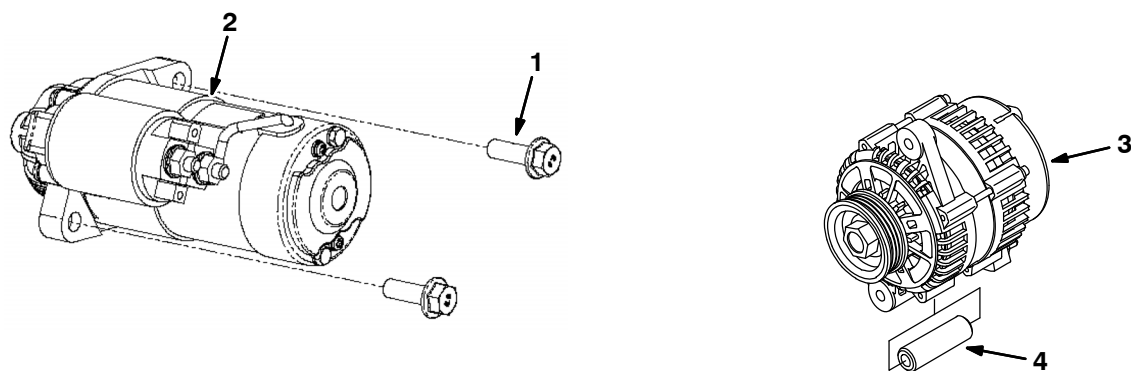
Ref.	Part No.	Description	Qty.
1	9010232	Bolt, M8-1.25 X 15, Hx Hd [Mit]	6
2	9010233	Flywheel, Flatface [Mit 20/24m]	1
3	9010234	Coupling, Flywheel [Mit20/24m]	1
4	9010235	Pin, Flywheel [Mit 20/20m]	3
5	9010236	Bolt, Flywheel [Mit 20/24m]	7
6	9010359	Bolt, M12-1.75 X 25, Hex Hd [Mit]	2
7	9010237	Cover, Dust [Mit 2.0]	1
8	9010238	Housing, Flywheel [Mit 2.0]	1
9	9010360	Washer, Lock, M12 [Mit]	2
10	9010239	Nut, M10-1.25 Flg [Mit]	1
11	9010240	Bolt, M6-1.0 X 20 Fl Hd [Mit]	2
12	9010241	Bolt, M10-1.25 X 30 Soc Hd [Mit]	4
13	9010242	Bolt, M10-1.25 X 45 Soc Hd [Mit]	2

**Fig. 14 – Ignition Coil and Spark Plug Group**



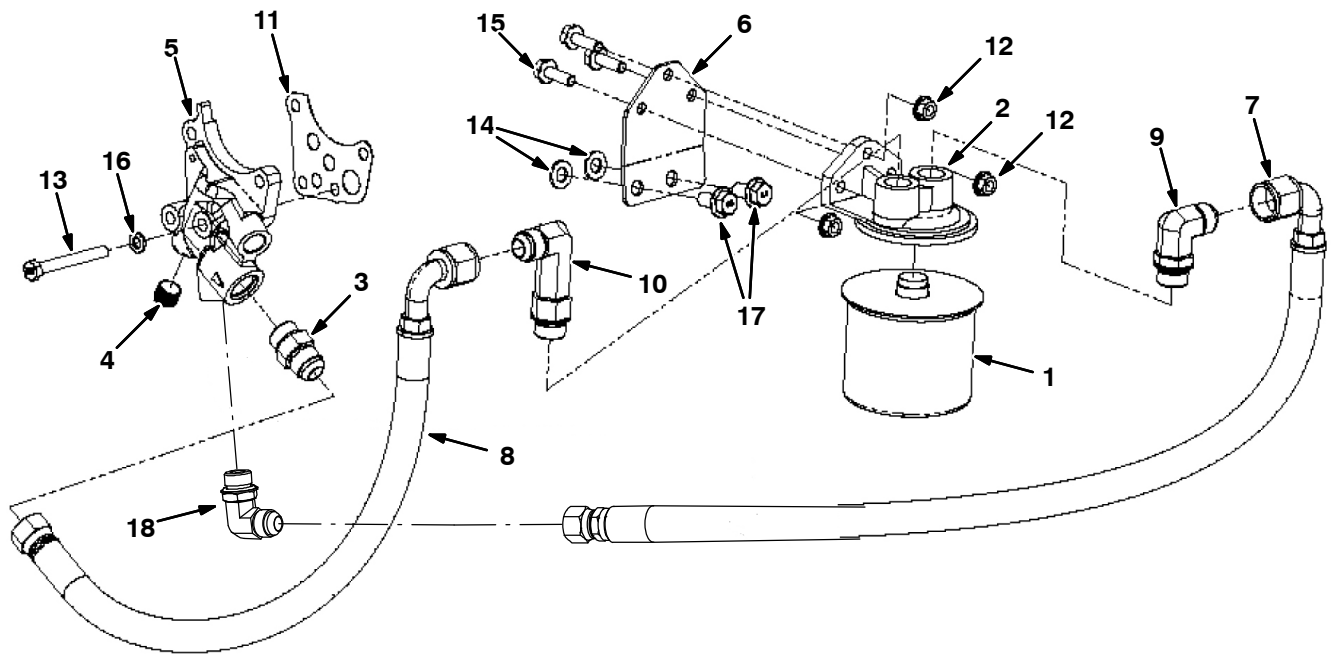
Ref.	Part No.	Description	Qty.
1	9010243	Bracket, Coil [Mit 2.0/2.4]	1
2	9010244	Coil, Ignition [Mit 2.0/2.4]	4
3	385015	Nut, Flng, M8	2
4	9010240	Bolt, M6-1.0 X 20 Fl Hd [Mit]	4
5	9014160	Plug, Spark [Mitsubishi 2015 12mm]	4
6	9010479	Seal, Oil	4

Fig. 15 – Starter / Alternator Group



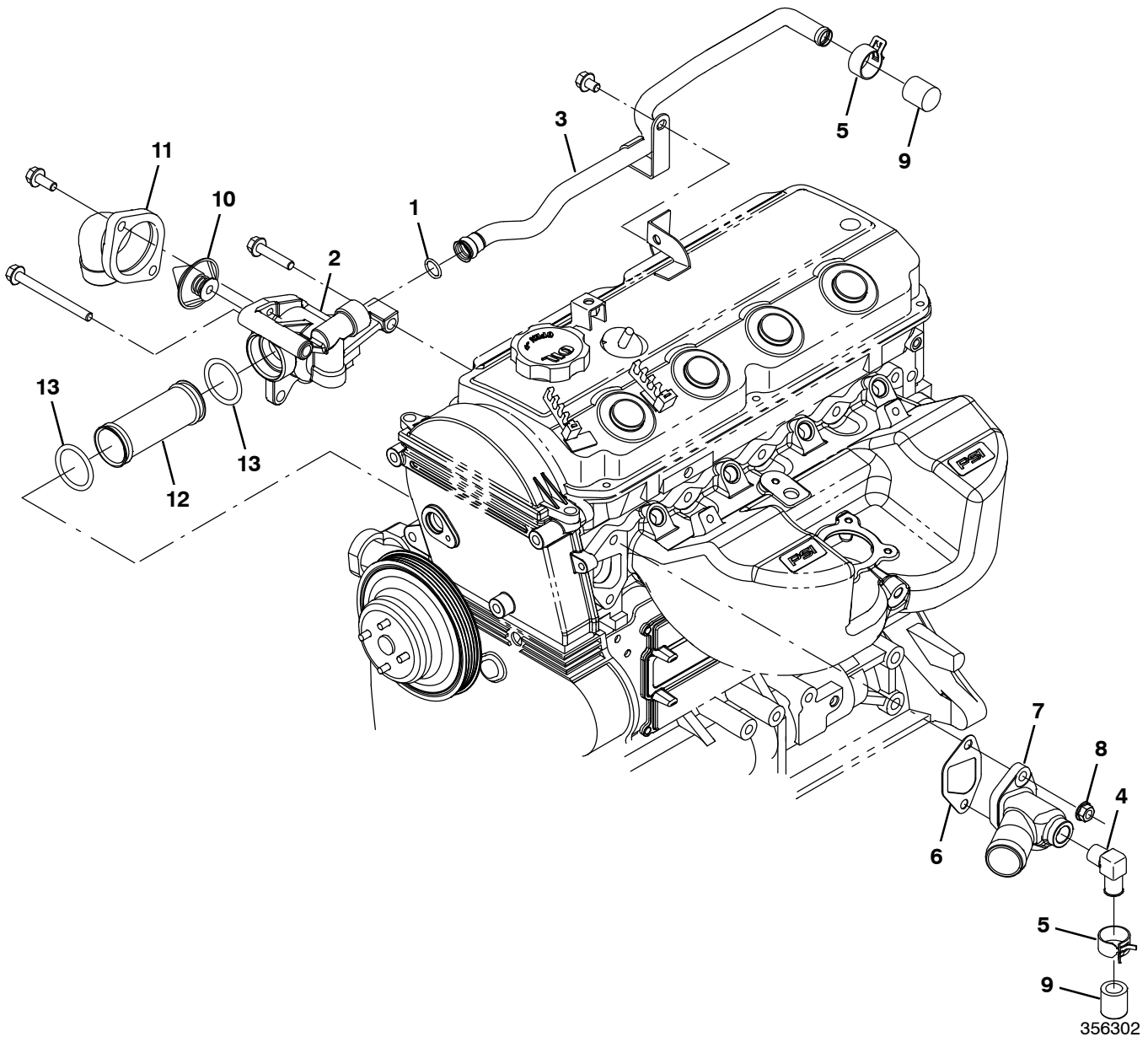
Ref.	Part No.	Description	Qty.
1	9010245	Bolt, M10-1.50 X 30 [Mit]	2
2	9010246	Starter, Motor [Mit 2.0/2.4]	1
3	9010217	Alternator, 7si [Mit Df Sur-Belt]	1
4	9010219	Spacer, Alternator [Mit 2.0/2.4]	1

Fig. 16 - Remote Oil Filter Group



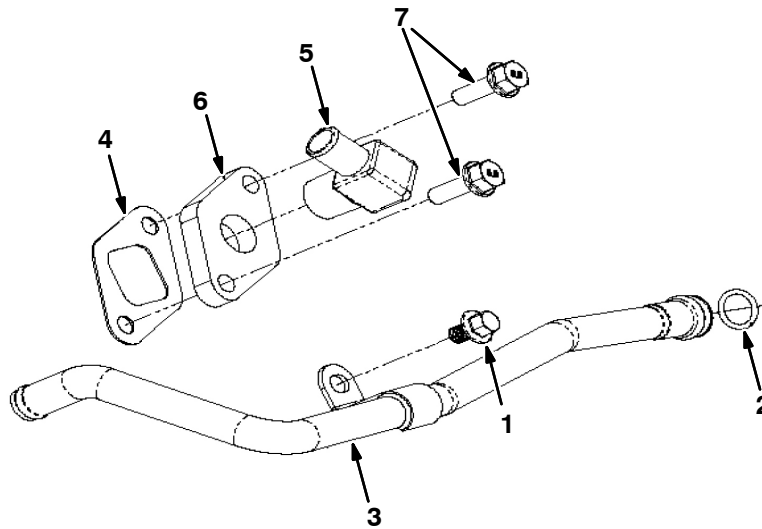
Ref.	Part No.	Description	Qty.
1	393982	Element, Fltr, Oil, Spin-On (Mits)	1
2	371503	Mount, Fltr, Remote	1
3	9010371	Fitting, Str, 10-10 Orb, 37fi [Mit]	1
4	9010372	Plug, 3/8npt X 5/16, Brs [Mit]	1
5	9010373	Adapter, Filter, Oil, Remote [Mit]	1
6	9010374	Bracket, Filter, Oil, Remote [Mit]	1
7	9010376	Hose, 90xstr,Fltr, Oil, Remote[Mit]	1
8	9010376	Hose, 90xstr,Fltr, Oil, Remote[Mit]	1
9	9010628	Elbow	1
10	9010629	Elbow	1
11	9010377	Gasket, Oil, Adapter [Mit 2.0/2.4]	1
12	385015	Nut, Flng, M8	3
13	9010253	Bolt, M8-1.25 X 70 Hxhd [Mit]	1
14	9010630	Washer	2
15	9010229	Bolt, M8-1.25 X 25 [Mit]	3
16	9010380	Washer, Lock, M8 [Mit]	1
17	9010631	Bolt	2
18	9010628	Elbow	1

Fig. 17 – Coolant Group



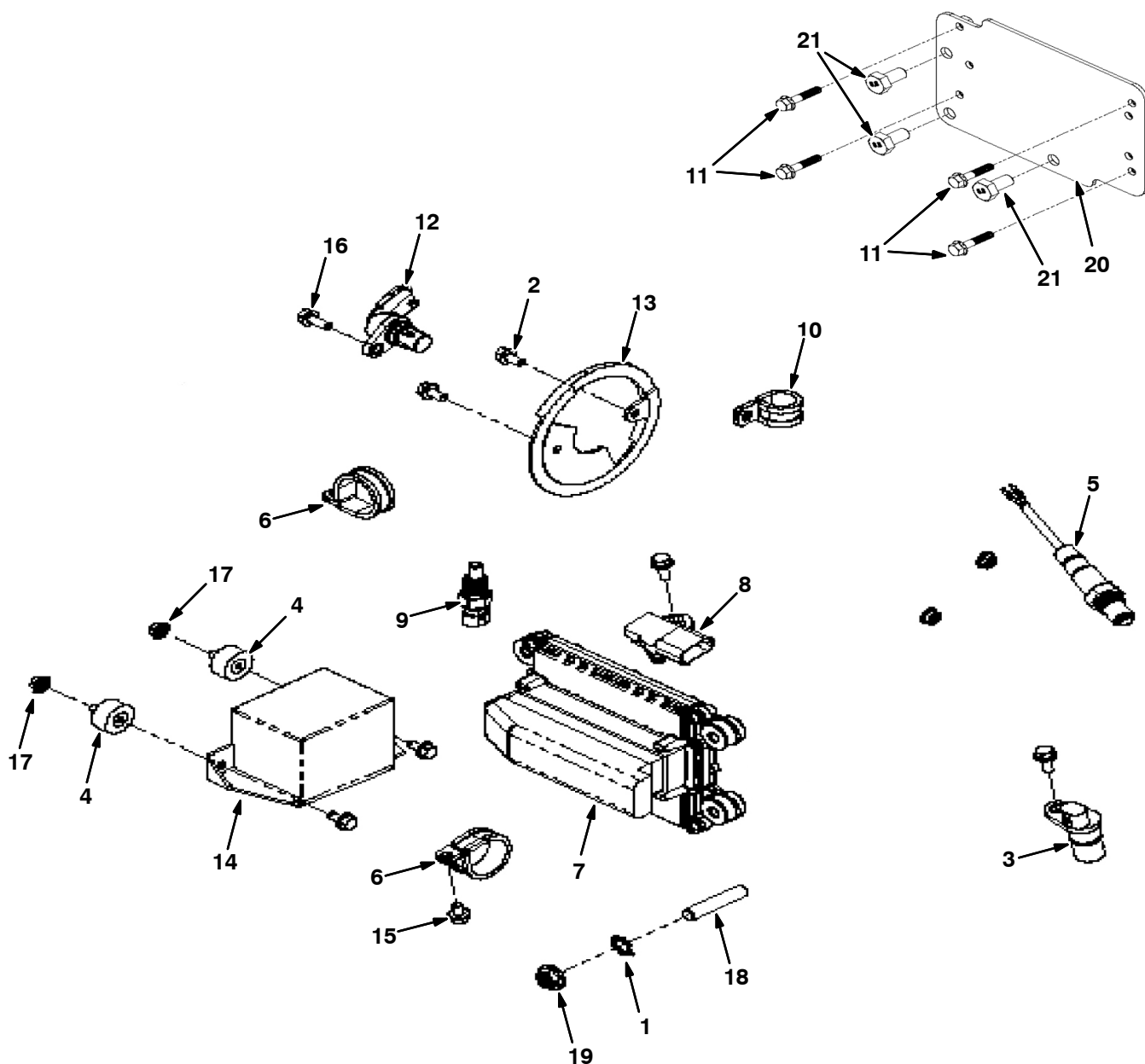
Ref.	Part No.	Description	Qty.
1	9010289	O-Ring [Mit 208 Buna-N]	1
2	9010290	Housing, T-Stat, 2 Holes [Mit]	1
3	9010291	Tube, Water, Line [Mit]	1
4	385011	Fitting, E90	1
5	384979	Clamp, Hose, Spring, 0.62d	2
6	9010632	Gasket, Outlet	1
7	9010294	Outlet, Water, W/Plug [Mit 2.0/2.4l]	1
8	385015	Nut, Flng, M8	2
9	9010295	Cap, Rubber, 5/8id [Mit 2.0/2.4l]	2
10	9010905	Thermostat Kit, Coolant, Replmt [Mitsub]	1
11	9010215	Housing, Thermostat	1
12	9010910	Tube, Pump, Water	1
13	9013530	Seal, Tube, Water [Mit 2.0l]	2

Fig. 18 - DSR Coolant Group, LPG Engine



Ref.	Part No.	Description	Qty.
1	9010305	Bolt, M8-1.25 X 12 [Mit]	1
2	9010289	O-Ring [Mit 208 Buna-N]	1
3	9010306	Tube, Cooling, Line [Mit]	1
4	9010307	Gasket, Water Supply [Mit 2.0/2.4]	1
5	9010308	Fitting, 1/2 Mpt X 5/8bh 90deg [Mit]	1
6	9010309	Plate, Water, Outlet [Mit Bypass]	1
7	9010310	Bolt, M8-1.25 X 25 Flg Hd [Mit]	2

Fig. 19 - Electrical Group

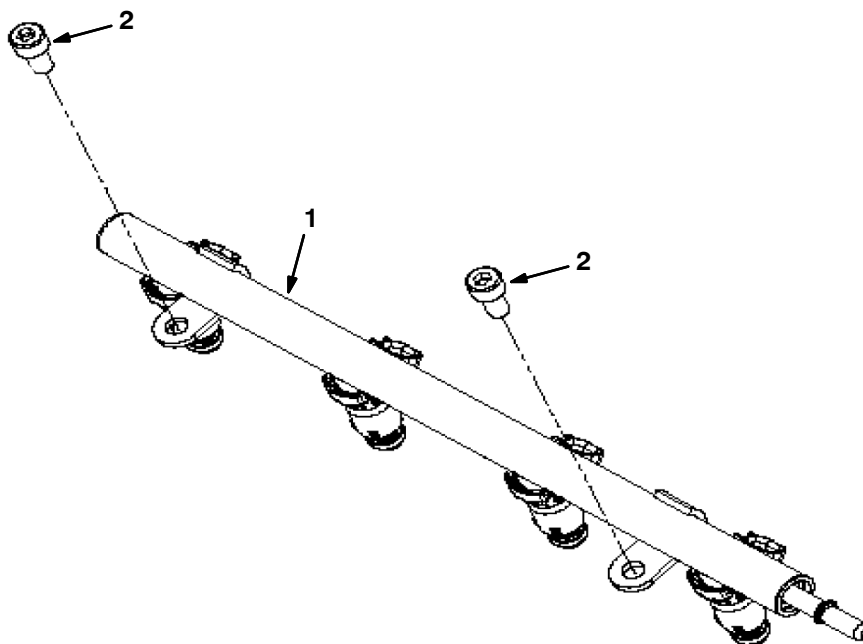




**Fig. 19 – Electrical Group**

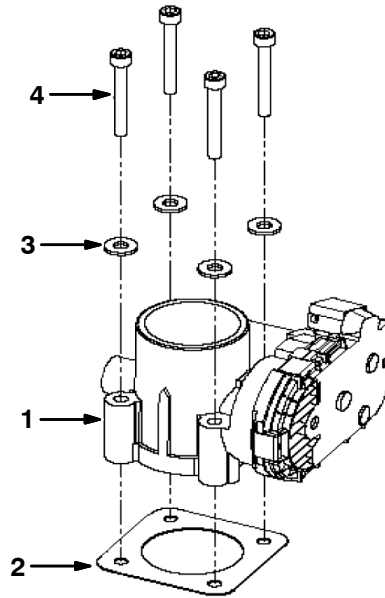
<b>Ref.</b>	<b>Part No.</b>	<b>Description</b>	<b>Qty.</b>
1	9010255	Washer, Star, M10 [Mit]	1
2	9010256	Bolt, M6-1.0 X 12 FI Hd PI [Mit]	2
3	372492	Sensor, Spd, Timing Wheel [3.0l]	1
4	9008805	Isolator	2
5	1028558	Sensor, Oxygen, Tailpipe	1
6	9010257	Clamp, 1/4 Hole [Mit #20]	2
7	1071397	Module, Ecu, Gas [Mit 2.0l 2013]	1
7	1071398	Module, Ecu, Lpg [Mit 2.0l 2013]	1
8	372493	Sensor [Tmap]	1
9	372891	Sensor, Temp, Coolant	1
10	9010258	Clamp, 0.75d [Mit]	1
11	9010249	Bolt, M6-1.0 X 30 FI Hd [Mit]	4
12	9010260	Sensor, Camshaft [Mit]	1
13	9010261	Cam, Sensor, Wheel [Mit 2.0/2.4l]	1
14	1071653	Harness, Wire, Eng, Gas [Mit, 2.0l]	1
14	1071654	Harness, Wire, Eng, Lpg [Mit, 2.0l]	1
15	9010262	Bolt, M6-1.0 X 10 FI Hd [Mit]	3
16	9010263	Bolt, M6-1.0 X 16 FI Hd [Mit]	3
17	9010264	Nut, M6-1.0 Flange [Mit]	4
18	9010366	Stud, M10-1.25 X 50, Full Thrd [Mit]	1
19	9010367	Nut, M10-1.25, Hx Flg [Mit]	1
20	9010247	Plate, Mtg, Ecu [Mit 2.0/2.4l]	1
21	9010248	Bolt, M10-1.25 X 20 Hxhd [Mit]	3

Fig. 20 - Fuel Rail Group, Gasoline Engine



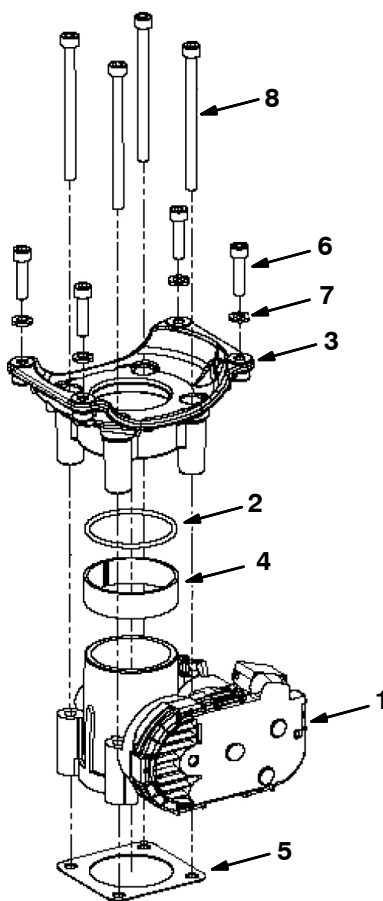
Ref.	Part No.	Description	Qty.
1	9015878	Manifold, Fuel [2.4l Mit]	1
2	9010327	Bolt, M8-1.25 X 16, Soc Hd [Mit]	2

Fig. 21 – Throttle Body Group, Gasoline Engine



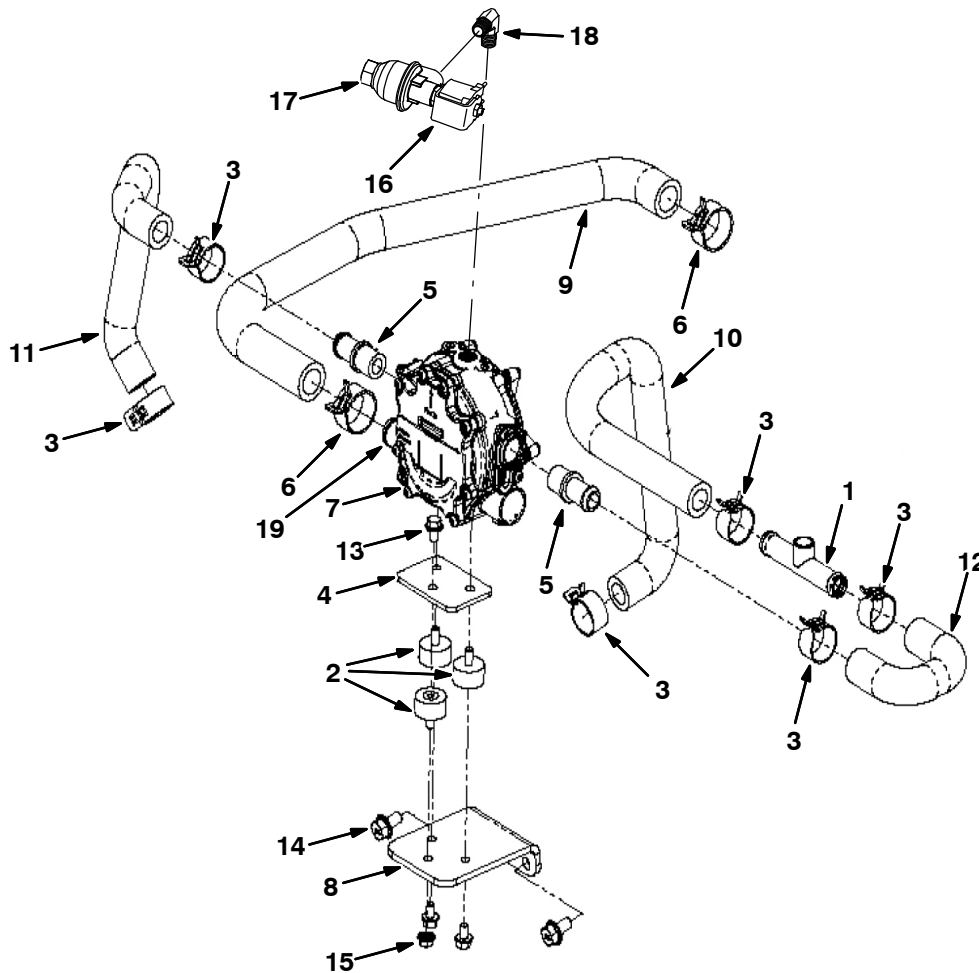
Ref.	Part No.	Description	Qty.
1	9010266	Throttle Body [Mit, Bosch]	1
2	9010268	Gasket, Throttle [Mit 40mm]	1
3	9010330	Washer, 1/4 Flat [Mit]	4
4	9010331	Bolt, M6-1.0 X 45, Skt Hd [Mit]	4

Fig. 22 – Throttle Body Group, LPG Engine



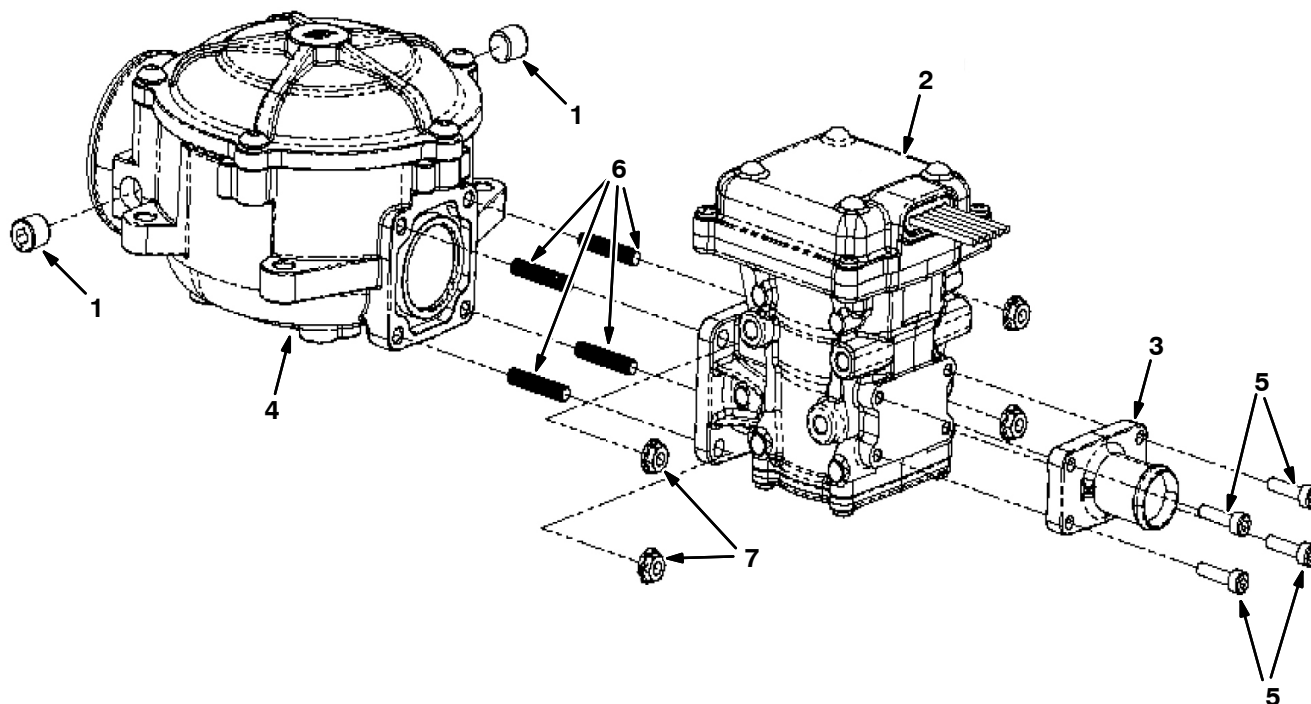
Ref.	Part No.	Description	Qty.
1	9010266	Throttle Body [Mit , Bosch]	1
2	1037311	Seal, Org, Lpg	1
3	9006619	Adapter	1
4	9010267	Spacer, Ring, Throttle [Mit 40mm]	1
5	9010268	Gasket, Throttle [Mit 40mm]	1
6	9010269	Bolt, M6-1.0 X 25 Soc Hd [Mit]	4
7	9010270	Washer, Lock, M6 [Mit]	4
8	9010271	Bolt, M6-1.0 X 85 Soc Hd [Mit]	4

Fig. 23 – Vaporizer Group, LPG Engine



Ref.	Part No.	Description	Qty.	
	1	9010272	Hose Assy, Upper, Tap [Mit]	1
	2	9008805	Isolator	3
	3	384979	Clamp, Hose, Spring, 0.62d	6
	4	9008804	Plate, Mtg [Epr]	1
	5	9010273	Fitting, 1/2 X 5/8 Hose, Plastic [Mit]	2
	6	9010274	Clamp, Tension [Mit #29]	2
▽	7	9008193	Regulator	1
▲		9010626	Repair Kit, Vaporizer	1
	8	9010275	Bracket, Vaporizer [Mit 20/24m Tilt]	1
	9	9010276	Hose, Fuel, Molded [Mit 20/24m]	1
	10	9010277	Hose, Coolant, Molded [Mit 20/24m]	1
	11	9010278	Hose, Coolant, Molded [Mit 20/24m]	1
	12	9010279	Hose, Coolant, Molded [Mit 20/24m]	1
	13	9010262	Bolt, M6-1.0 X 10 Fl Hd [Mit]	3
	14	9010280	Bolt, M8-1.25 X 16 Fl Hd [Mit]	2
	15	9010264	Nut, M6-1.0 Flange [Mit]	1
▽	16	9006620	Lock-Off, 12v, Lpg [Mit]	1
▲	17	9007380	Filter Kit, Fuelock, Lpg	1
	18	9010317	Fitting, 1/4mpt X 1/4mpt, 90deg [Mit]	1
	19	9021786	Fitting, Hose, Plastic	1

Fig. 24 – Electronic Pressure Regulator (EPR) Group, LPG Engine



Ref.	Part No.	Description	Qty.
1	9010314	Plug, 1/8npt, Brs [Mit]	2
2	9008806	Regulator, Press, Electronic [Epr]	1
3	9008807	Fitting, Barb, 3/4" [Epr]	1
▽ 4	9006618	Mixer , Lpg	1
▲	9010634	Repair Kit, Mixer	1
5	9008808	Screw, Soc, M4 X 0.70 X 16	4
6	9007424	Stud, M05-0.8	4
7	9007423	Nut, Flng, M05-0.8	4