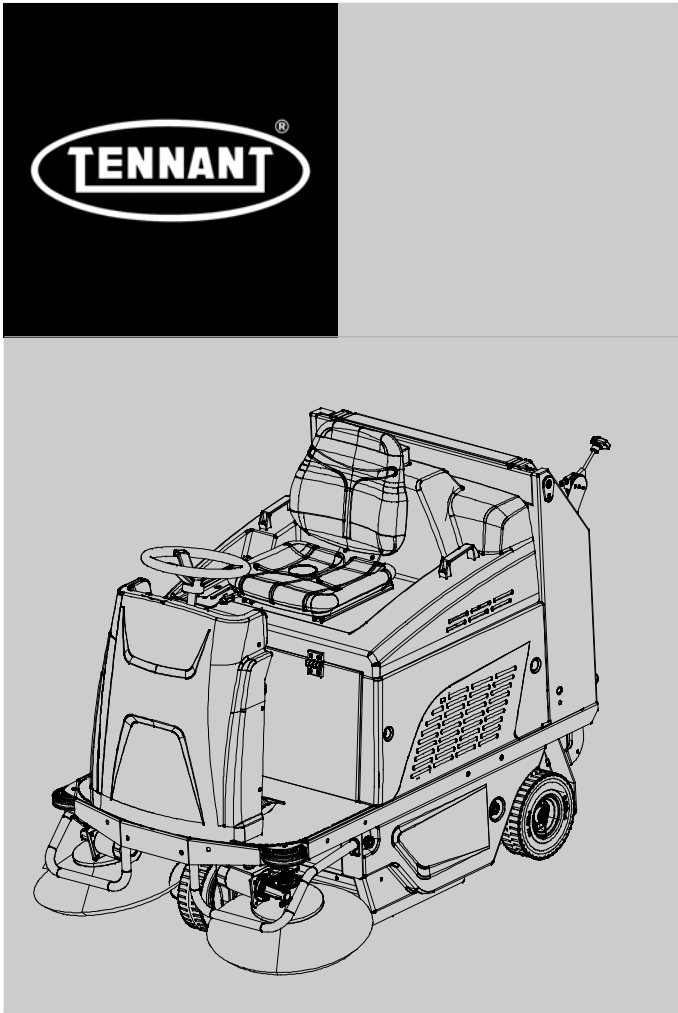
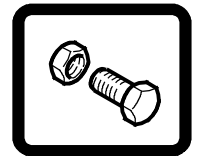




S880

Battery Rider Sweeper

Parts Manual



Tennant True® Parts

Global



To view, print or download
the parts manual, visit:

www.tennantco.com/manuals

9022568
Rev. 00 (03-2023)

Only use TENNANT Company supplied or equivalent parts. Parts and supplies may be ordered online, by phone or from any Tennant Authorized Service Center or Distributor.

Before Ordering any parts or supplies, be sure to have the machine model number and serial number available.

Serial Number Location



Tennant Company
10400 Clean Street
Eden Prairie, MN 55344-2650
USA
Phone: (800) 553-8033
www.tennantco.com

Tennant Company N.V.
Industrielaan 6 5405 AB
P.O. Box 6 5400 AA
Uden- The Netherlands
europe@tennantco.com
www.tennantco.com

Specifications and parts are subject to change without notice.

Copyright © 2023 TENNANT Company

RECOMMENDED SPARE PARTS LIST 4

REPLACEMENT BRUSHES 5

FRAME GROUP 6

DRIVE WHEEL AND REAR WHEEL GROUP 10

ELECTRICAL COMPONENTS GROUP 14

FILTER AND DUST FLAP GROUP 20

MAIN BRUSH GROUP 24

SIDE BRUSH GROUP 28

HIGH DUMP HOPPER GROUP 30

DRIVE WHEEL BREAKDOWN GROUP 34

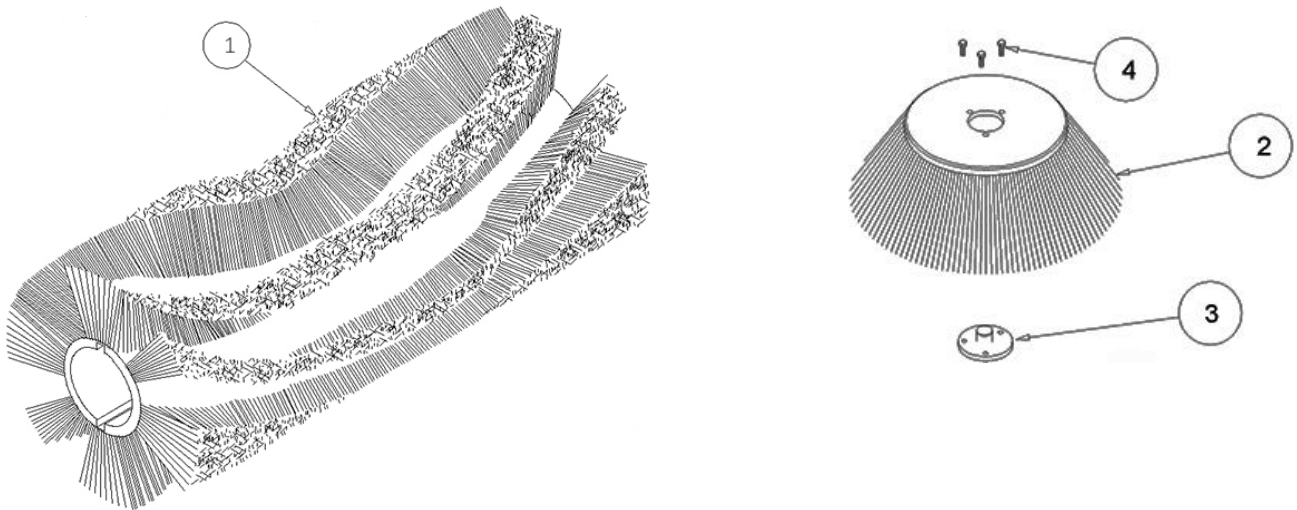
MANUAL BATTERY WATERING KIT (OPTION) 36

ELECTRICAL DIAGRAM 37

RECOMMENDED SPARE PARTS LIST

Part No.	Description
SPPV75791	Main Brush, PPL
SPPV01379	Main Brush, PPL - Soft (Carpet)
SPPV00013	Main Brush, Mix Soft/steel
SPPV75793	Main Brush, Mix PPL/Steel - Abrasive
PMVR00283	Side brush, PPL (Standard)
PMVR07065	Side Brush, Mix PPL/Steel - Abrasive (Option)
MPVR75936	Side Flap
MPVR75935	Front Flap
MPVR75934	Rear Flap
KTRI04766	Flap Kit, non-marking (Option)
FTDP00214	Filter, Pleated, Polyester
MTCG00139	Belt d.8 710
MTCG00138	Belt d.10 710
CUVR17004	Brush Bearing
CMCV00451	Cable, Main Brush Lift
CMCV75904	Sheath, Main Brush Lift Cable
KTRI02289	Traction Potentiometer
KTRI05576	Speed Limit Potentiometer
GUVR00625	Waste Container Gasket
CMCV00452	Sheath, Waste Container Drive Cable
CMCV00038	Cable, Drive, Waste Container Drive
VEVR00070	Fan Motor
9018332	Fuse, 50A, Brush Motor
MOCC87164	Brush Motor
9017784	Brush motor carbon brush
MOCC00443	Side Brush Motor (left side)
MOCC00442	Side Brush Motor (right side)
MEVR31145	Side Brush Motor Carbons
MELF33431	Lamp, Beacon
MOCC00445	Traction Motor
MEVR02107	Traction Motor Carbons
PMVR02380	Rear Rubber Wheel
RTRT00548	Front Rubber Wheel
KTRI02348	Wheel Kit, non-marking (Option)
CUVR00005	Main Brush Pulley Bearing
MECI75801	Microswitch, Brush
MLML85997	Pedal spring
MECE00591	Display Board
MECE00592	Service Board
MECE00925	Traction Board
MECE00915	Inverter Board
MECI00573	Selector Switch, Hopper
MECI00532	Main Contactor, 24V-100A
MECE00201	Relay, 24V-10-20A
994203	Battery, 06Vdc 0180Ah, Gel [EUR]
BACA00273	Charger, Battery, 24VDC, 25A [EUR]
MECB00922	Battery Charger Cord (EUR)
MECB02036	Battery Charger Cord (UK)
1070591	Battery, 12Vdc, 225Ah, Wet [NA]
1260425	Battery, 12Vdc, 245Ah, AGM [NA]
9015391	Charger Kit, 24VDC, Off-Board [NA]
1025642	Battery Charger Cord (NA)

REPLACEMENT BRUSHES

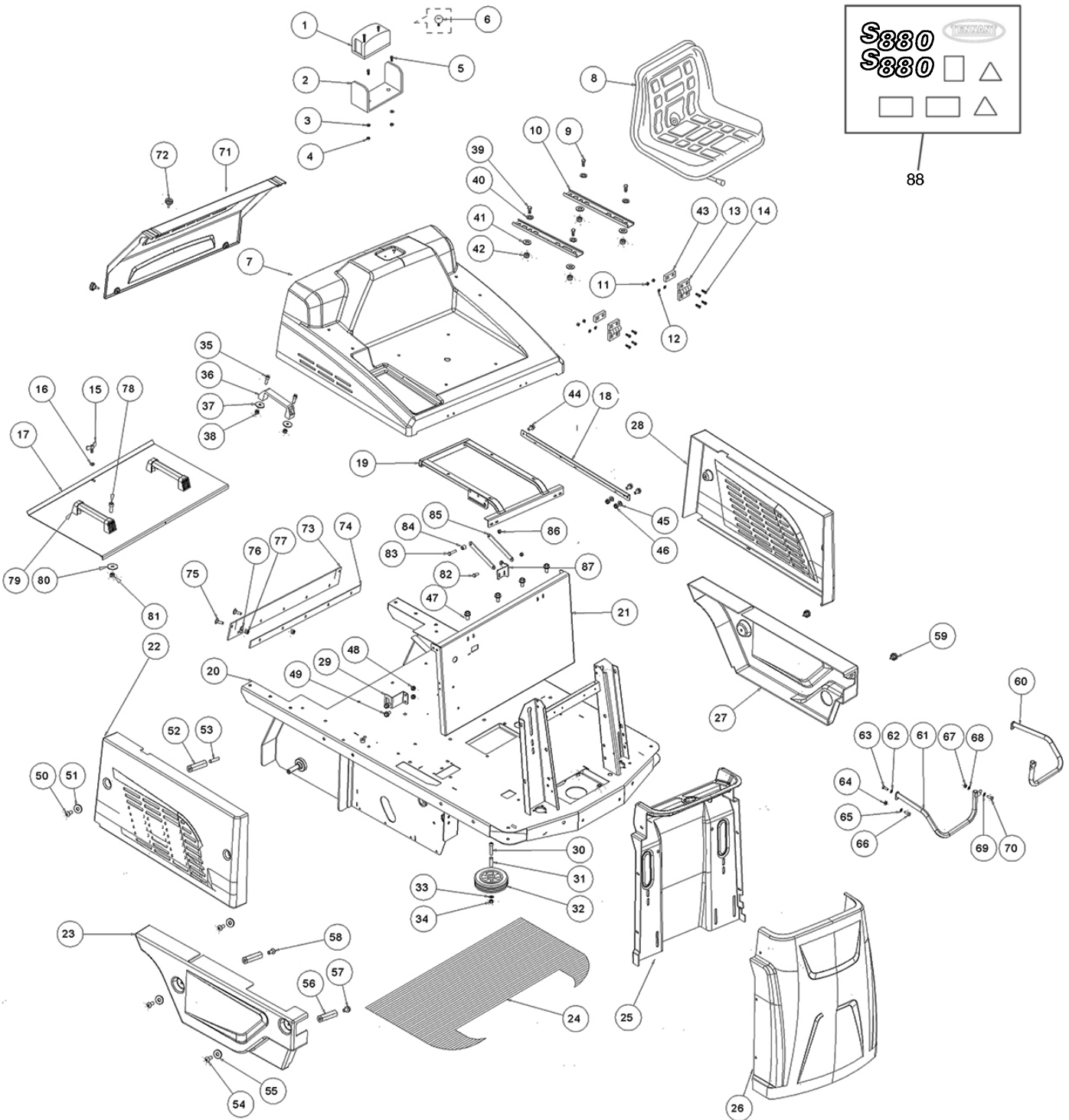


Ref.	Part No.	Mfr. Date	Description	Qty.	
1	SPPV75791	()	Brush, Swp, Main Ppl, Medium (Std)	1	
1	SPPV01379	()	Brush, Swp, Main, Ppl, Soft (Carpet)	1	
1	SPPV00013	()	Brush, Swp, Main, Pyp Soft/Wir	1	
1	SPPV75793	()	Brush, Swp, Main, Ppl/Steel, Abr	1	
▽	2	PMVR00283	()	Brush, Side, Ppl (Std)	1
▽	2	PMVR07065	()	Brush, Side, Mix Ppl/Steel, Abr	1
▲	3	LAFN45010	()	Flange L.1400 Lt	1
▲	4	VTVT62920	()	Screw Te F/Rond. M 6x 16 Zb	3

▽ ASSEMBLY

▲ INCLUDED IN ASSEMBLY

FRAME GROUP



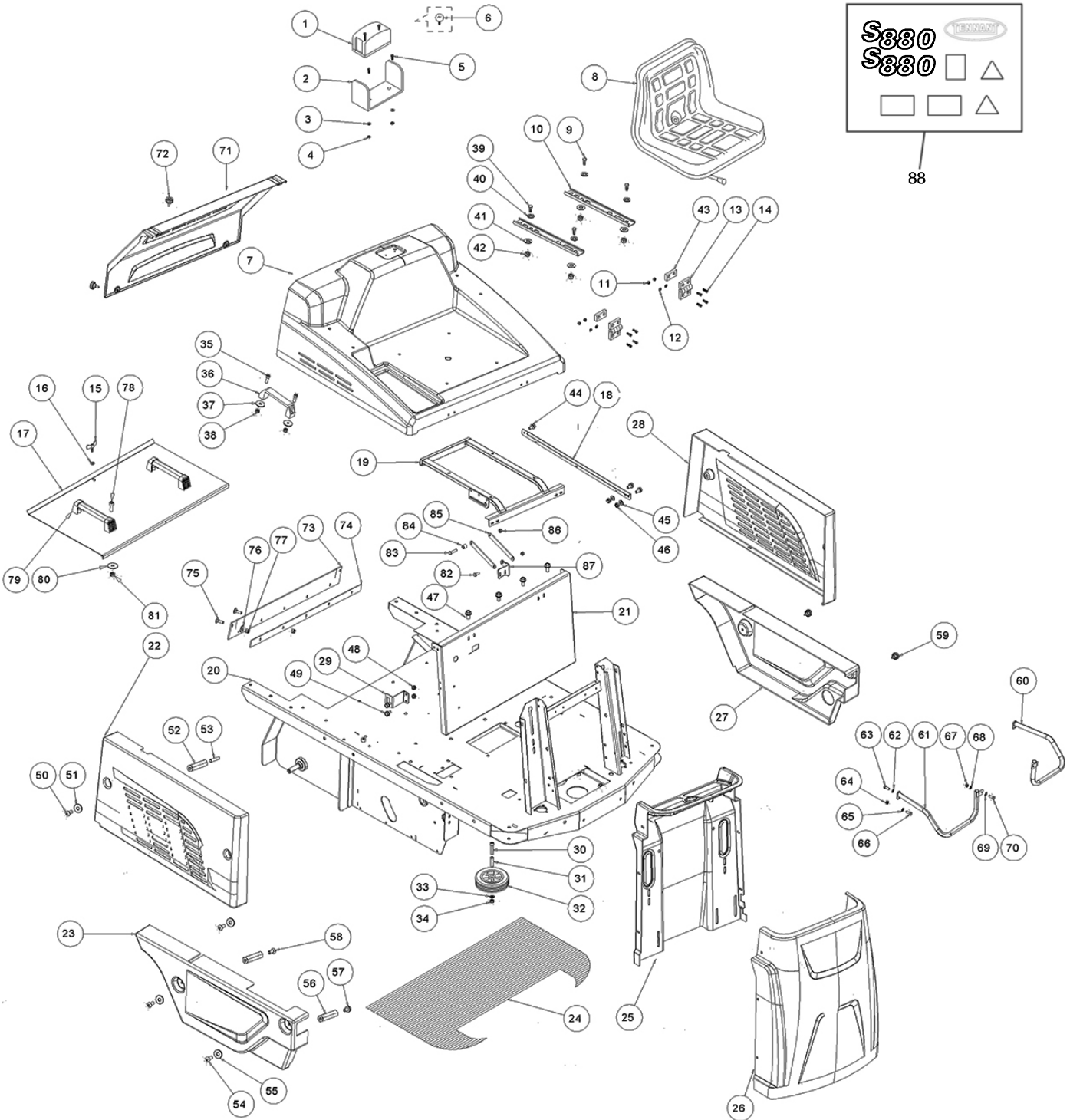
FRAME GROUP

Ref.	Part No.	Mfr. Date	Description	Qty.
▽	1	KTRI00103	() Lamp Flash 24v Orange	1
▲	2	KTRI00103	() Lamp Flash 24v Orange	1
▲	3	VTRS15958	() Washer Uni 6592 5x15x1,5 Zb	2
▲	4	VTDD08171	() Nut M 5 Tef	2
▲	5	897476	() Screw, M5x16, Tbce, Iso7380, Zb	2
▲	6	MELF33431	() Lamp 24 V 21 W	1
	7	MPVR13419	() Cover	1
▽	8	SESD45982	() Seat, Sensor	1
	9	06955	() Screw, Hex, M8 X 1.25 X 35, 8.8	4
▲	10	N/A	() Rail, Slide, Seat	2
	11	VTDD00491	() Nut M 6 Tef	4
	12	VTRS00503	() Washer D. 6 Uni 6592	4
	13	CEVR85332	() Hinge Meb F D.6 Tk	2
	14	33951	() Screw, Soc, M6 X 1.00 X 20, 12.9	4
	15	VTVR00044	() Wing Nut D.30 M6x20	1
	16	VTRS63242	() Washer D. 6 X24 Zc	1
	17	LAFN85308	() Cover, Filter	1
	18	LAFN08190	() Sheet Metal Pa.	1
	19	LAFN08178	() Support	1
	20	LAFN36061	() Frame	1
	21	LAFN08150	() Panel	1
	22	MPVR12417	() Cover, Body, Right, Grey	1
	23	MPVR06096	() Crankcase, Right	1
	24	MPVR00738	() Plane Millerig.1000e W Biades	1
	25	MPVR12411	() Cover, Front, Grey	1
	26	MPVR13418	() Crankcase, Front	1
	27	MPVR06095	() Crankcase, Left	1
	28	MPVR12418	() Cover, Battery, Body, Left Grey	1
	29	LAFN08210	() Bracket	2
	30	VTVT28307	() Screw	2
	31	LAFN47011	() Bushing Bu15x10x47 X Ruota1250056	2
	32	RTRT00013	() Wheel Rubber D.125	2
	33	VTRS00505	() Washer D.10 Uni 6592	2
	34	08714	() Nut, Hex, Lock, M10 X 1.5, NI, Ss	2
	35	39308	() Screw, Soc, M8 X 1.25 X 25, 12.9	4
	36	MPVR00411	() Handle Trg	2
	37	VTRS00513	() Washer Uni 6593 8x32x2,5 Zb	4
	38	897598	() Nut, M8, Flat	4
	39	06955	() Screw, Hex, M8 X 1.25 X 35, 8.8	4
	40	VTRS00504	() Washer D. 8 Zc. Uni 6592	2
	41	897619	() Washer, D.8x24, Zc	4
	42	897598	() Nut, M8, Flat	4
	43	LAFN07909	() Bracket	2
	44	VTVT62920	() Screw Te F/Rond. M 6x 16 Zb	3
	45	VTRS00503	() Washer D. 6 Uni 6592	2

▽ ASSEMBLY

▲ INCLUDED IN ASSEMBLY

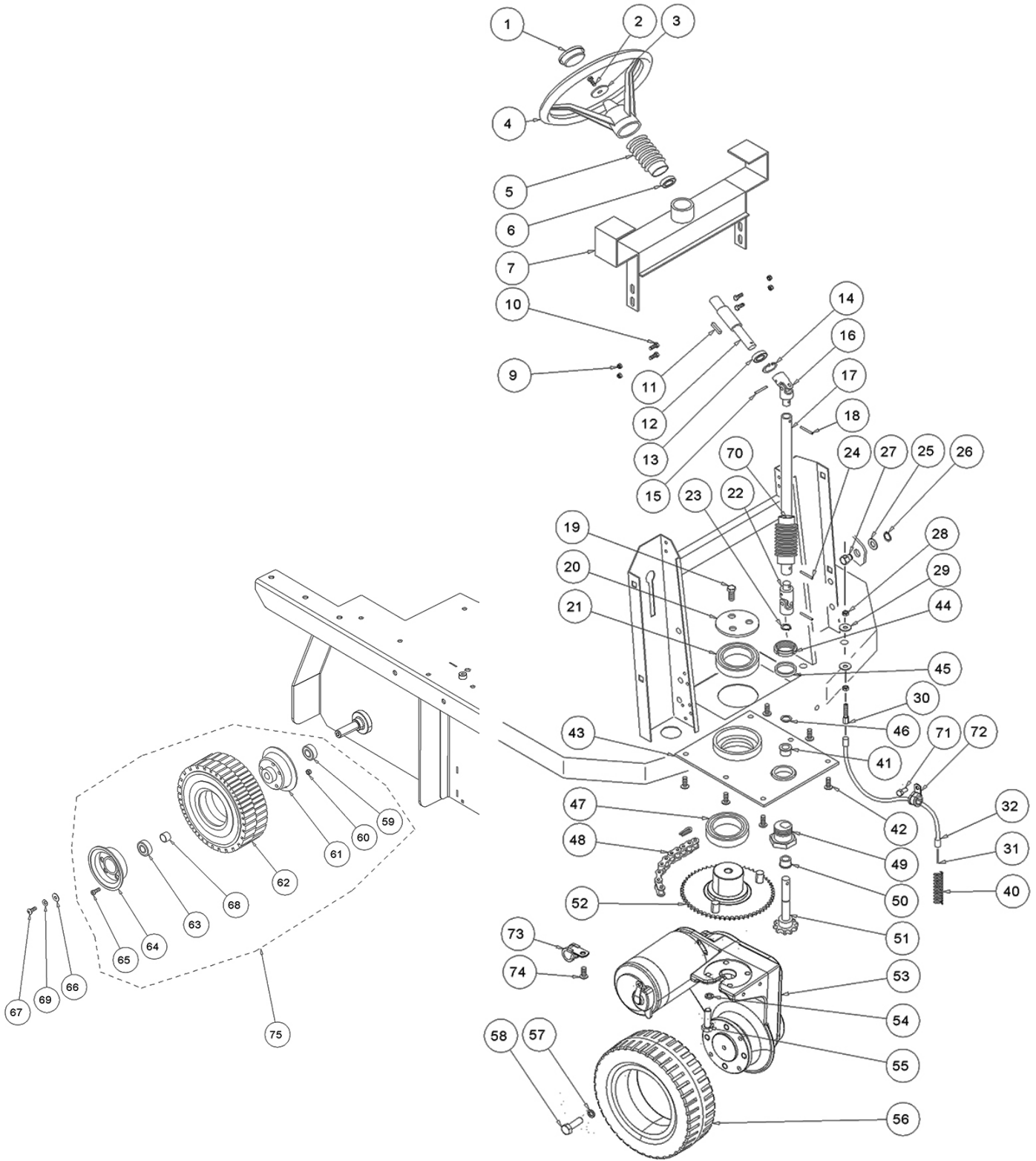
FRAME GROUP - Cont'd



FRAME GROUP - Cont'd

Ref.	Part No.	Mfr. Date	Description	Qty.
46	VTDD00491	() Nut M 6 Tef	2
47	VTVT62920	() Screw Te F/Rond. M 6x 16 Zb	4
48	VTDD00491	() Nut M 6 Tef	4
49	VTVT62920	() Screw Te F/Rond. M 6x 16 Zb	4
50	VTVT75726	() Screw Tbei M 6x 16 Iso 7380 Zb	4
51	VTRS04026	() Washer D. 6x18x2.38	4
52	LAFN08211	() Spacer	4
53	VTVT00900	() Grub Screw M 6- 30 Con Es	2
54	VTVT75726	() Screw Tbei M 6x 16 Iso 7380 Zb	2
55	VTRS04026	() Washer D. 6x18x2.38	2
56	LAFN08211	() Spacer	2
57	VTVT00527	() Screw Te Fr 6x10 Zb Zig.	2
58	09062	() Screw, Fit, Soc, M6 X 1.00 X 16, 10.9	2
59	RTRT00022	() Handwheel D.30 M6x15	2
60	LAFN08200	() Bumper, Left	1
61	LAFN08201	() Bumper, Right	1
62	VTRS00504	() Washer D. 8 Zc. Uni 6592	2
63	16931	() Screw, Hex, M8 X 1.25 X 20, 8.8	2
64	897598	() Nut, M8, Flat	2
65	VTRS00504	() Washer D. 8 Zc. Uni 6592	2
66	16931	() Screw, Hex, M8 X 1.25 X 20, 8.8	1
67	897598	() Nut, M8, Flat	2
68	VTRS00504	() Washer D. 8 Zc. Uni 6592	2
69	VTRS00504	() Washer D. 8 Zc. Uni 6592	2
70	16931	() Screw, Hex, M8 X 1.25 X 20, 8.8	2
71	MPVR13420	() Cover	1
72	RTRT00022	() Handwheel D.30 M6x15	4
73	MPVR06431	() Flap	1
74	LAFN86529	() Clamp, Flap	1
75	VTVT75721	() Screw Ttde Uni 5732 6x16 Zb	7
76	VTRS04026	() Washer D. 6x18x2.38	2
77	VTDD00491	() Nut M 6 Tef	7
78	39308	() Screw, Soc, M8 X 1.25 X 25, 12.9	4
79	MPVR00411	() Handle Trg	2
80	VTRS00513	() Washer Uni 6593 8x32x2,5 Zb	4
81	897598	() Nut, M8, Flat	4
82	16931	() Screw, Hex, M8 X 1.25 X 20, 8.8	1
83	06955	() Screw, Hex, M8 X 1.25 X 35, 8.8	1
84	LAFN04042	() Spacer D8.5- 15	1
85	LAFN11499	() Bracket, Hood	2
86	897598	() Nut, M8, Flat	2
87	LAFN11498	() Bracket, Hood	1
88	KTRI06562	(EU) Kit, Label, Machine [EMEA S880]	1
88	KTRI06564	(NA) Kit, Label, Machine [NAM S880]	1

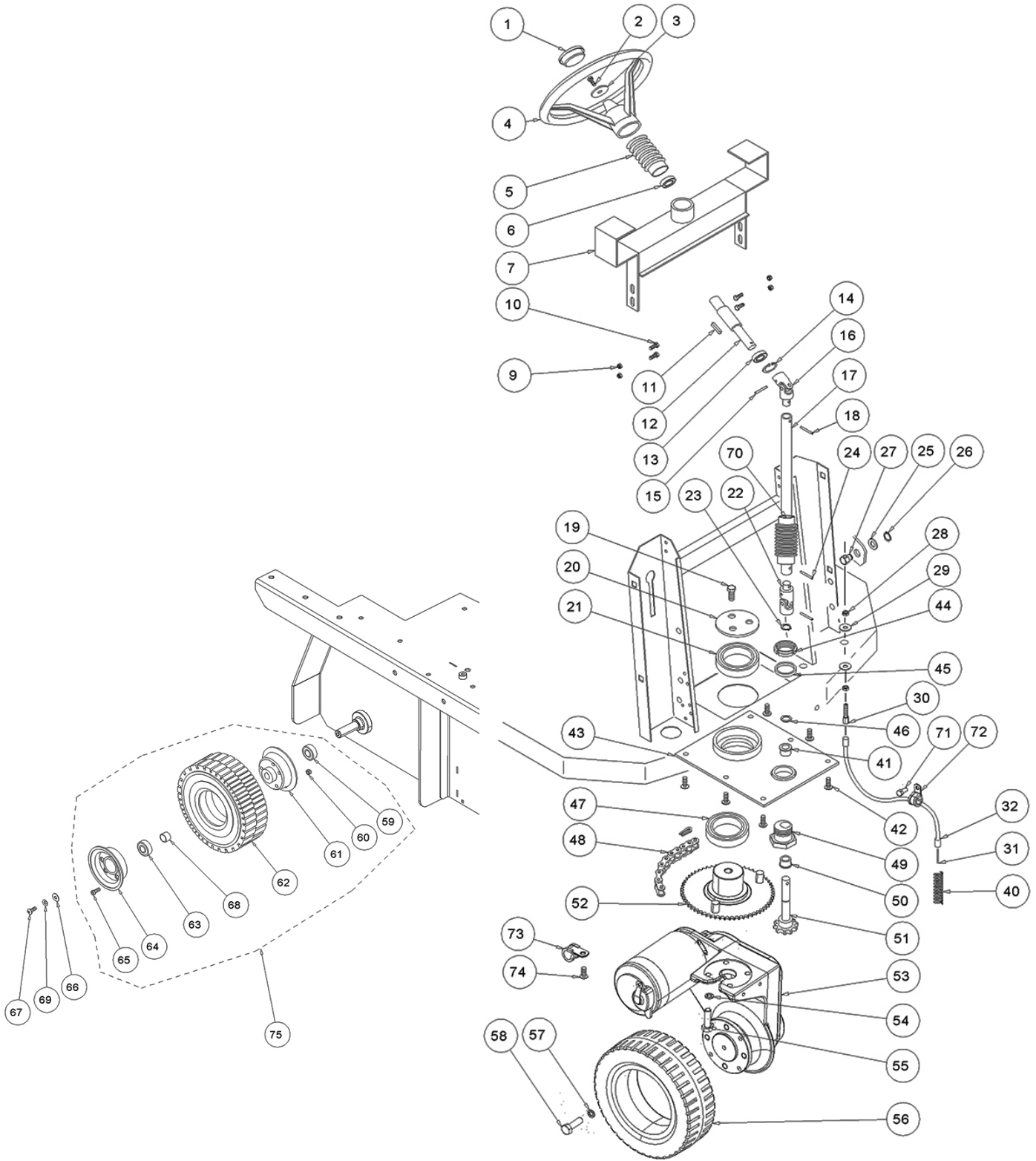
DRIVE WHEEL AND REAR WHEEL GROUP



DRIVE WHEEL AND REAR WHEEL GROUP

Ref.	Part No.	Mfr. Date	Description	Qty.
1	MPVR47026	()	Cap, Black L.14	1
2	VTVT47025	()	Screw Tbc Iso 7380 10x16 Zb	1
3	897401	()	Washer, M10x40x2,5, Uni6593, Zb	1
4	897400	()	Wheel, Steering 320mm	1
5	MPVR47066	()	Lifting Arm Protection	1
6	CUVR00005	()	Bearing 6202 2rs	1
7	LAFN09337	()	Support	1
9	VTDD07887	()	Nut M 6 Serpress	4
10	VTVT62920	()	Screw Te F/Rond. M 6x 16 Zb	4
11	VTVR13164	()	Key Uni 6604 5x5x30	1
12	ALTR00011	()	Shaft, Steering Wheel	1
13	CUVR00005	()	Bearing 6202 2rs	1
14	VTAE17002	()	Circlip D. 35 Uni 7437	1
15	VTVR00327	()	Plug	1
16	PMTR00021	()	Shaft Steering Wheel 1000 T	1
17	PMTR00021	()	Shaft Steering Wheel 1000 T	1
18	VTVR00327	()	Plug	1
19	16931	()	Screw, Hex, M8 X 1.25 X 20, 8.8	3
20	LAFN47004	()	Flange	1
21	897388	()	Bearing 51112	1
22	PMTR00021	()	Shaft Steering Wheel 1000 T	1
23	VTAE17003	()	Circlip Esterno Din 471 D.15	1
24	VTVR00327	()	Plug	1
25	VTRS00506	()	Washer D.12 Uni 6592	1
26	VTAE14016	()	Seeger External Din 471 D.12	1
27	LAFN75973	()	Pin Fixing Flap Stop Cable	1
28	41359	()	Nut, Hex, Std, M6 X 1.00, 8	2
29	VTRS04026	()	Washer D. 6x18x2.38	2
30	CMCV02396	()	Register Ch. 8x 6max30	1
31	CMCV00468	()	Cable 1250- 1280 E- Dp	1
32	CMCV00467	()	Sheath 1250- 1280 E- Dp	1
40	MLML00033	()	Spring Lift Flap Silver Zb	1
41	897398	()	Bushing, 15b 24d 17.5	1
42	39283	()	Screw, Hex, M10x1.50x25, 8.8	6
43	LAFN85521	()	Flange, Wheel Front	1
44	VTVR75747	()	Ring Nut Autoblok M 35 X 1,5 Guk	1
45	LAFN75913	()	Spacer Eccentric Bush	1
46	MPVR75734	()	Thickness 15x22x0,5	1
47	897388	()	Bearing 51112	1
48	MTCR85008	()	Chain Sweep	1
49	LAFN75842	()	Bushing Chain Tightener	1
50	897398	()	Bushing, 15b 24d 17.5	1
51	KTRI46514	()	Bushing, Complete	1
52	LAFN08185	()	Brake	1
53	MOCC00434	()	Motorwheel W/ Brake	1
54	VTRS00107	()	Washer M10 Grover	4
55	39283	()	Screw, Hex, M10x1.50x25, 8.8	4
56	RTRT00548	()	Wheel, Front, Rubber	1
56	KTRI02348	()	Kit Non- Marking Wheels (Option)	1
57	897544	()	Washer, D.12, Grover, Uni1751, Inox	4

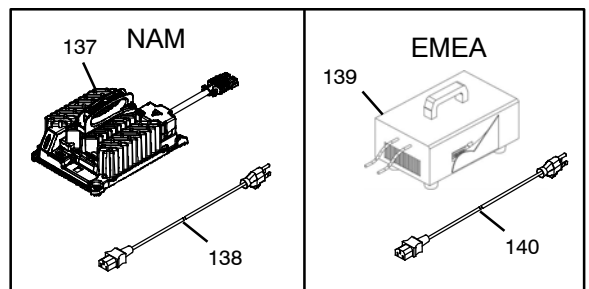
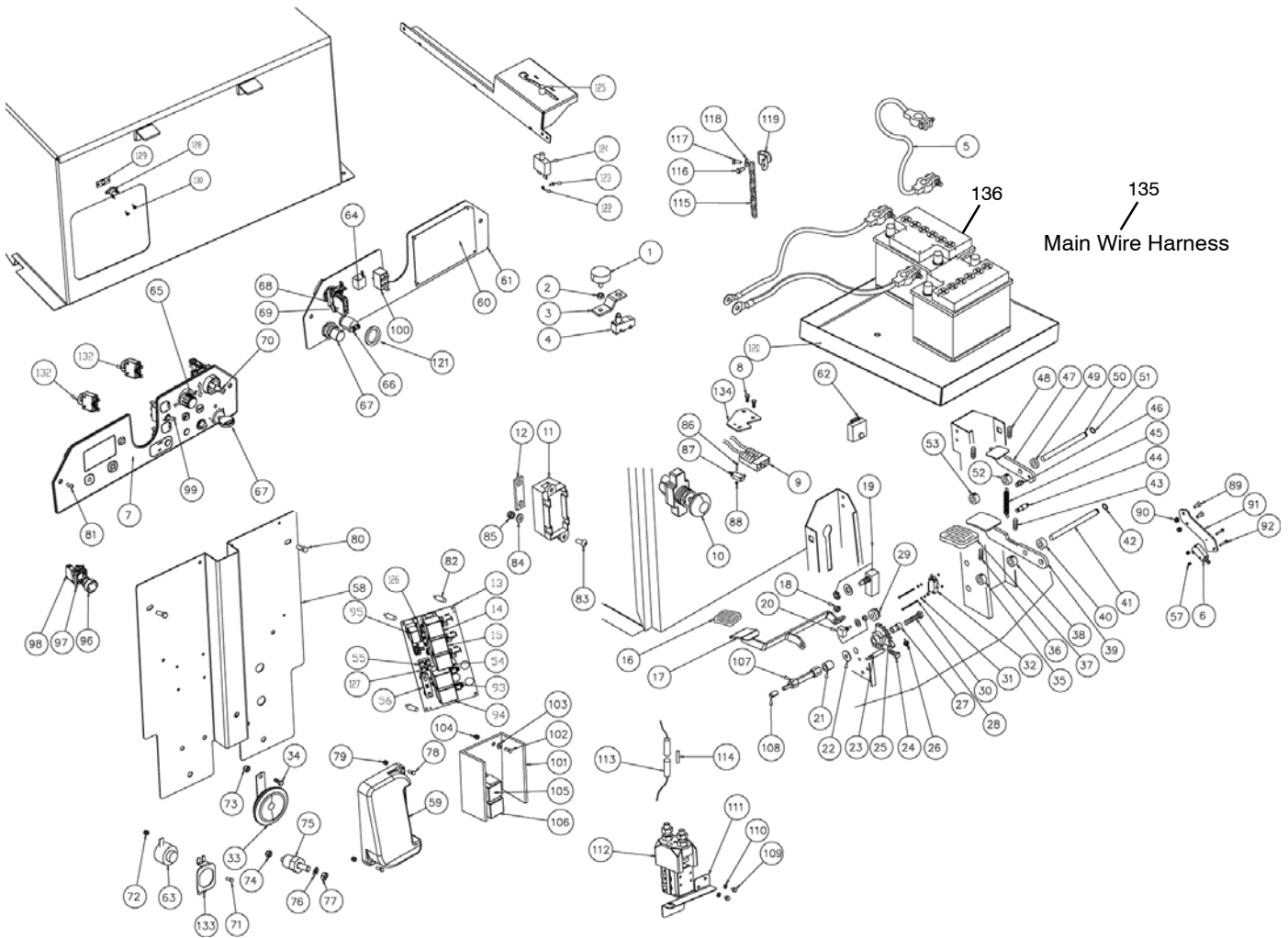
DRIVE WHEEL AND REAR WHEEL GROUP - Cont'd



DRIVE WHEEL AND REAR WHEEL GROUP - Cont'd

Ref.	Part No.	Mfr. Date	Description	Qty.
58	VTVT00025	()	Screw Te Uni	4
59	CUVR00104	()	Bearing Skf 6003- 2rsh	2
60	897598	()	Nut, M8, Flat	10
61	LAFN85380	()	Hub Sw 1000e/S 22501005	2
62	KTRI75744	()	Tire, Rear Wheel	2
63	CUVR00104	()	Bearing Skf 6003- 2rsh	2
64	LAFN85290	()	Wheel Hub 124x57,5	2
65	39308	()	Screw, Soc, M8 X 1.25 X 25, 12.9	10
66	897619	()	Washer, D.8x24, Zc	2
67	897676	()	Screw, Te, M8x16, Uni5739	2
68	LAFN00275	()	Spacer Internal Wheel Post.Tk1300	2
69	VTRS01080	()	Washer D. 8 Grw	2
70	MPVR47066	()	Lifting Arm Protection	1
71	VTVT62920	()	Screw Te F/Rond. M 6x 16 Zb	1
72	FSVR00005	()	Clamp, Ecohole, Mm8 D.1	1
73	897364	()	Clamp, Stl, 16d, Insulated	1
74	VTVT62920	()	Screw Te F/Rond. M 6x 16 Zb	1
75	PMVR02380	()	Wheel, Rear, Complete	1
75	KTRI02348	()	Kit Non- Marking Wheels (Option)	1

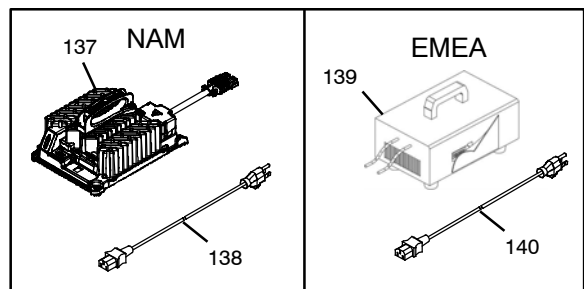
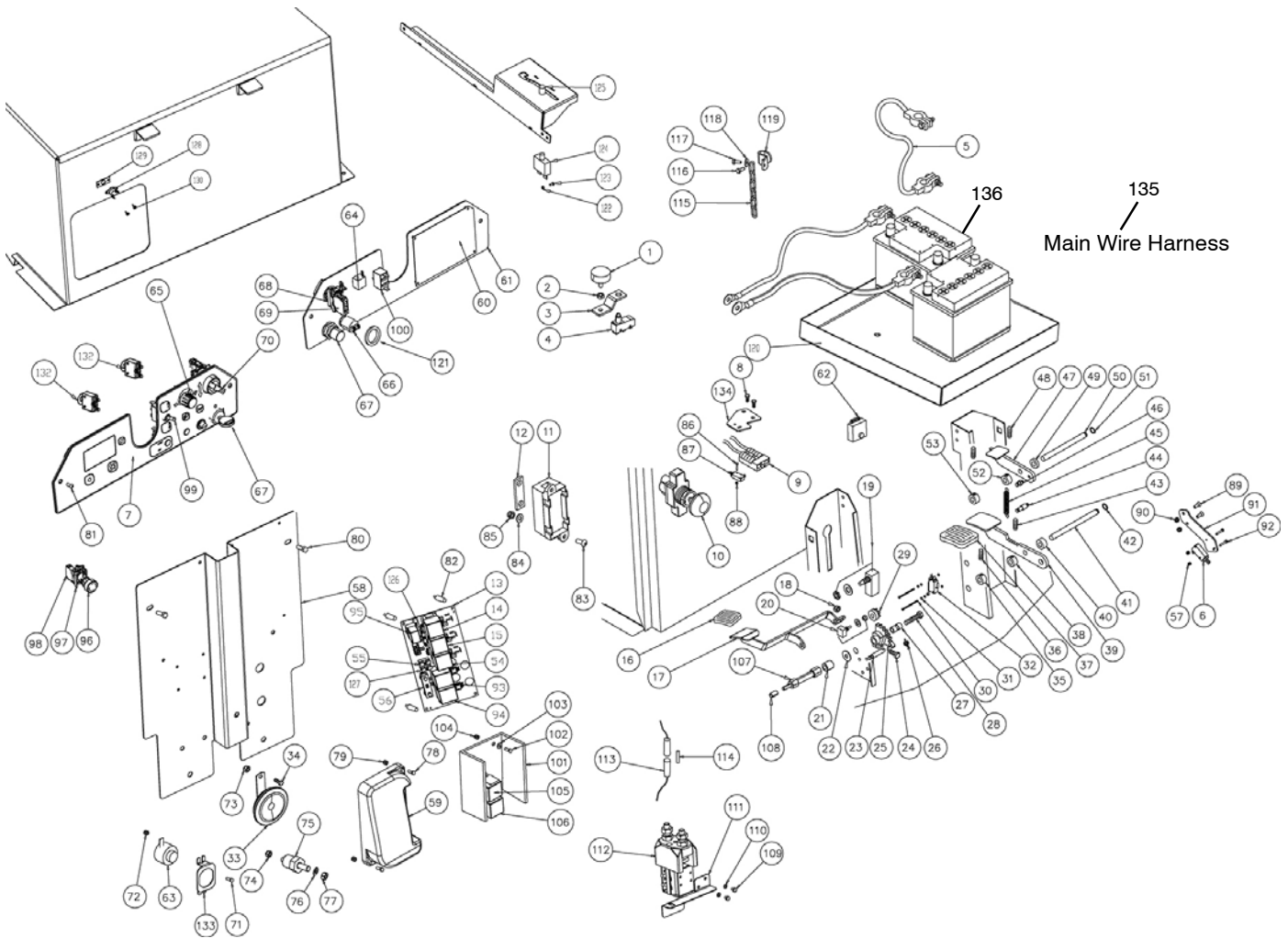
ELECTRICAL COMPONENTS GROUP



ELECTRICAL COMPONENTS GROUP

Ref.	Part No.	Mfr. Date	Description	Qty.
1	ABG00026	()	Vibration Damp	2
2	39311	()	Nut, Hex, Std, M8 X 1.25	4
3	LAFN07862	()	Bracket	1
4	MECI75801	()	Microswitch	1
5	897357	()	Cable, Battery, Bridge, M8, 70 (NAM)	1
5	897205	()	Wiring Battery Bridge W/Terminal (EMEA)	3
6	MECI00114	()	Microswitch	1
7	ETET16198	()	Label	1
8	09205	()	Screw, Hex, M4 X 0.70 X 25, 8.8	2
9	MEVR02595	()	Connector, Anderson, 50a, Red	1
10	MECI00571	()	Button Emergency Bl.Sb 1250	1
11	MEVR00146	()	Fuse Box	1
12	MEVR00145	()	Fuse 100a	1
13	MECE00592	()	Board Power Service 1250- 1280	1
14	MECE00201	()	Relay 24v 10,20a	1
15	MECE00201	()	Relay 24v 10,20a	1
16	MPVR85654	()	Pedal Cover Small V1020	1
17	LAFN08165	()	Pedal	1
18	897598	()	Nut, M8, Flat	1
19	MECI75801	()	Microswitch	2
20	KTRI02289	()	Kit, Potentiometer, Pedal	1
21	LAFN04042	()	Spacer D8.5- 15	1
22	VTRS00504	()	Washer D. 8 Zc. Uni 6592	1
23	LAFN75969	()	Pin Strap Support D.9 H.33	1
24	VTVT01688	()	Screw Tbei M 8x 30 Iso 7380 lx	1
25	MTIG85317	()	Gear Sw 1000	1
26	MLML85997	()	Sprng D.2	1
27	LAFN47084	()	Bushing, Accelerator	1
28	39278	()	Screw, Hex, M8 X 1.25 X50, 8.8	1
29	MTIG85318	()	Gear Sw 1000	1
30	VTVT00021	()	Screw Te Uni 5739 3x25 Zb	2
31	VTDD00001	()	Nut, M3, Uni5588, Zb	4
32	MECI30642	()	Micro- Switch 11a 0.33hp	1
33	MEVR02112	()	Horn 24v	1
34	VTVT00527	()	Screw Te Fr 6x10 Zb Zig.	1
35	LAFN47030	()	Bushing Fiss. Perforated Break Pedal	1
36	VTVT75731	()	Screw Uni 5923 6 X5	1
37	MPVR45096	()	Pedal Cover Large V1021	1
38	LAFN47030	()	Bushing Fiss. Perforated Break Pedal	1
39	LAFN09344	()	Pedal	1
40	LAFN47019	()	Bushing Brake Pedal Fixing	1
41	LAFN47036	()	Pin Fixed Brake Pedal	1
42	VTAE87276	()	Seeger Ext. D10 Din471	1
43	VTVT75731	()	Screw Uni 5923 6 X5	1
44	LAFN47035	()	Pin Ch.10 H.26 Spring Attachment	1
45	MLML75960	()	Spring D. 8 X1 X32	1
46	LAFN47029	()	Pin Ch.10 H.16 Spring Connection	1
47	LAFN47032	()	Pedal, Brake, Block, Zinc	1
48	VTVT75731	()	Screw Uni 5923 6 X5	1
49	LAFN47033	()	Bushing Pedal Pin Fixing	1

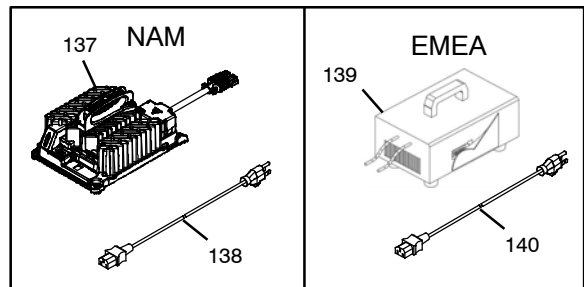
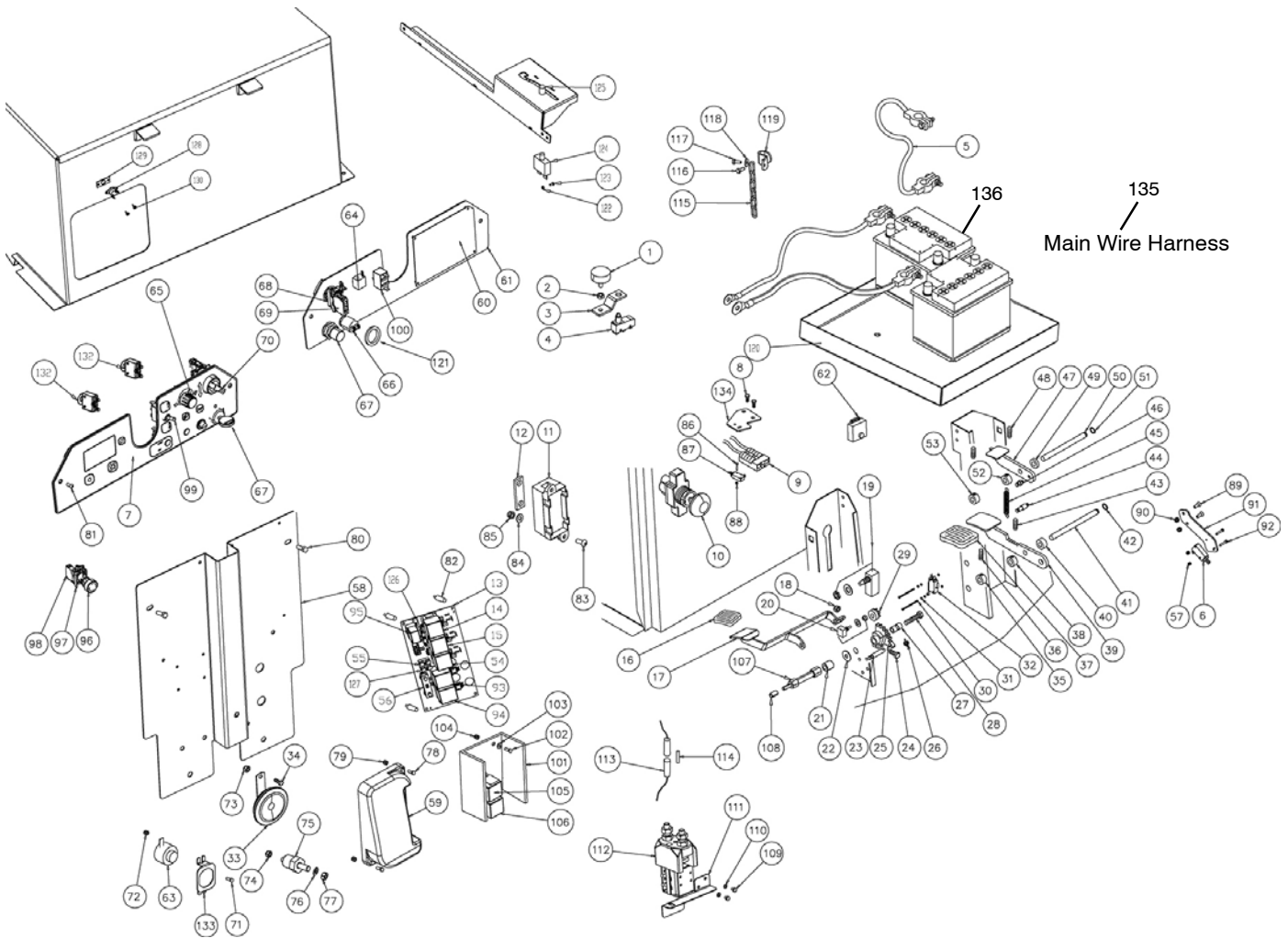
ELECTRICAL COMPONENTS GROUP - Cont'd



ELECTRICAL COMPONENTS GROUP - Cont'd

Ref.	Part No.	Mfr. Date	Description	Qty.	
50	LAFN47031	()	Pin, Brake Pedal, Block	1	
51	VTAE87276	()	Seeger Ext. D10 Din471	1	
52	LAFN47030	()	Bushing Fiss. Perforated Break Pedal	1	
53	LAFN47030	()	Bushing Fiss. Perforated Break Pedal	1	
54	MECE00201	()	Relay 24v 10,20a	1	
55	897510	()	Fuse 30a	1	
56	9018332	()	Fuse, 50a	1	
57	897189	()	Nut, M3, Inox	2	
58	LAFN11827	()	Plate, Sheet Metal	1	
59	MECE00925	()	Board, Traction	1	
60	MECE00591	()	Board Logic 1250- 1280	1	
61	LAFN08204	()	Support Metal Dashboard	1	
62	MEVR02017	()	Alarm	1	
63	MECE00182	()	Alarm	1	
64	KTRI05576	()	Kit Potentiometer Speed Contr	1	
65	KTRI01935	()	Knob, Speed Control	1	
66	MEVR85330	()	Button	1	
▽	67	1011402	()	Switch, Key	1
▲	67	1017696	()	Key Set - 2pc, Replmt	1
68	MECI00665	()	Support	1	
69	MECI00664	()	Contact 1nc	1	
70	MECI00667	()	Selector	1	
71	VTVT00311	()	Screw, Te, M4x12	1	
72	42368	()	Nut, Hex, Std, M4 X 0.70, 8	1	
73	VTDD00491	()	Nut M 6 Tef	1	
74	897598	()	Nut, M8, Flat	2	
75	MEVR01116	()	Support Fuse 120 A	2	
76	VTRS01080	()	Washer D. 8 Grw	2	
77	39311	()	Nut, Hex, Std, M8 X 1.25	2	
78	604209	()	Screw, M4x16	4	
79	VTDD04369	()	Nut M 4 Tef Uni 7473	2	
80	VTVT00527	()	Screw Te Fr 6x10 Zb Zig.	3	
81	VTVT00659	()	Screw Tc+ M. 4- 15	8	
82	MEVR01708	()	Column	4	
83	VTVT75726	()	Screw Tbei M 6x 16 Iso 7380 Zb	2	
84	VTRS00503	()	Washer D. 6 Uni 6592	2	
85	VTDD00491	()	Nut M 6 Tef	2	
86	VTVT01170	()	Screw Tc 2x16	2	
87	MECI00588	()	Microswitch	1	
88	VTDD00213	()	Nut M2	2	
89	897502	()	Screw, M4x16, 1spei, Uni5933	2	
90	VTDD04369	()	Nut M 4 Tef Uni 7473	2	
91	LAFN09383	()	Bracket	1	
92	VTVT01350	()	Screw, M3x20	2	
93	MERL00016	()	Switch Relay 24v	1	
94	MERL00016	()	Switch Relay 24v	1	
95	MECE00456	()	Relay, Brush Head	1	
96	MECI00666	()	Contact	1	
97	MECI00665	()	Support	1	
98	MECI00663	()	Contact 1na	1	

ELECTRICAL COMPONENTS GROUP - Cont'd



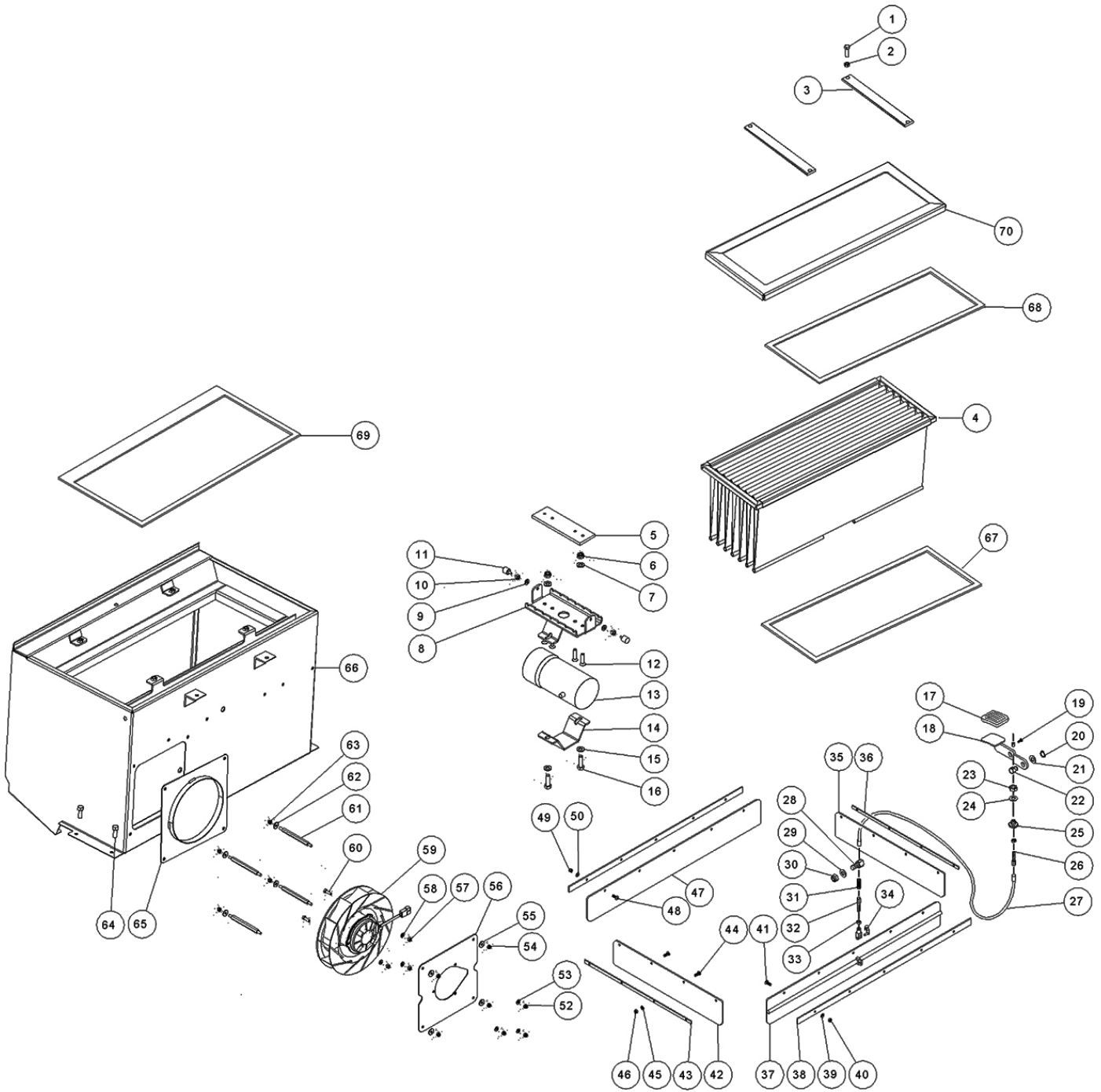
ELECTRICAL COMPONENTS GROUP - Cont'd

Ref.	Part No.	Mfr. Date	Description	Qty.	
99	897296	()	Diverter, Rubber	1	
100	MECI00573	()	Selector	1	
101	MECE00596	()	Board, Hopper Lift	1	
102	09206	()	Screw, Hex, M4 X 0.70 X 12, 8.8	2	
103	VTRS00501	()	Washer, D.4, 0.232, Uni6592	2	
104	VTDD04369	()	Nut M 4 Tef Uni 7473	2	
105	MERL00012	()	Switch Relay 12v	1	
106	MERL00012	()	Switch Relay 12v	1	
107	LAFN08166	()	Pin	1	
108	LAFN03742	()	Spacer Silencer	1	
109	VTVT01669	()	Screw, M4x6	2	
110	VTRS00501	()	Washer, D.4, 0.232, Uni6592	2	
111	LAFN09488	()	Plate	1	
112	MECI00532	()	Contacto 24v- 100a	1	
113	MEVR00080	()	Fuse- Holder Pv610 10a	1	
114	MEVR00072	()	Fuse 2.5a F6.3x32- 100/110v	1	
115	MTCR00029	()	Small Chain L.16mm	.17	
116	VTVT00005	()	Screw Te M 5x 12 F/Rond.Zigr	1	
117	897565	()	Screw, Te, M5x10, Uni5739	1	
118	VTRS15958	()	Washer Uni 6592 5x15x1,5 Zb	1	
119	LAFN07380	()	Bracket	1	
120	MPVR00351	()	Tray, Battery, Std	1	
121	VTRS00023	()	Washer Threaded Int.Uni 6798 D.18	1	
122	9018496	()	Nut, Strap, Sqge	2	
123	897203	()	Screw	2	
124	MEVR02899	()	Fuse Circuit Breaker 35a	1	
125	MEVR02900	()	Cap Circuit Breaker	1	
126	MEVR01133	()	Fuse 15a 32v	1	
127	897510	()	Fuse 30a	1	
128	METK00017	()	Thermal Sensor	1	
129	GUG000675	()	Gasket	1	
130	VTVT00040	()	Screw	2	
132	METT00044	()	Fuse Circuit Breaker 10a	2	
134	LAFN11818	()	Plate, Sheet Metal	1	
135	MECB02356	()	Wire, Harness, Main [NAM]	1	
135	MECB02315	()	Wire, Harness, Main [Emea]	1	
136	1070591	()	Battery, Wet, 12vdc 0225ah [NAM]	2	
136	1260425	()	Battery,Agm,12vdc,245ah [NAM]	2	
136	994203	()	Battery, 06vdc 0180ah [5h,Gf06180] [EMEA]	4	
∇	137	9015391	()	Charger Assy, Off- Board [NAM]	2
▲	138	1025642	()	Cord, Power, 16/3, 15ft Blk [NAM]	2
∇	139	BACA00273	()	Charger, Battery, 24vdc, 25a [EMEA]	1
▲	140	MECB00922	()	Cord, Power, Charger, 230v [EMEA]	1
▲	140	MECB02036	()	Cord, Power, Chrgr [UK]	1

∇ ASSEMBLY

▲ INCLUDED IN ASSEMBLY

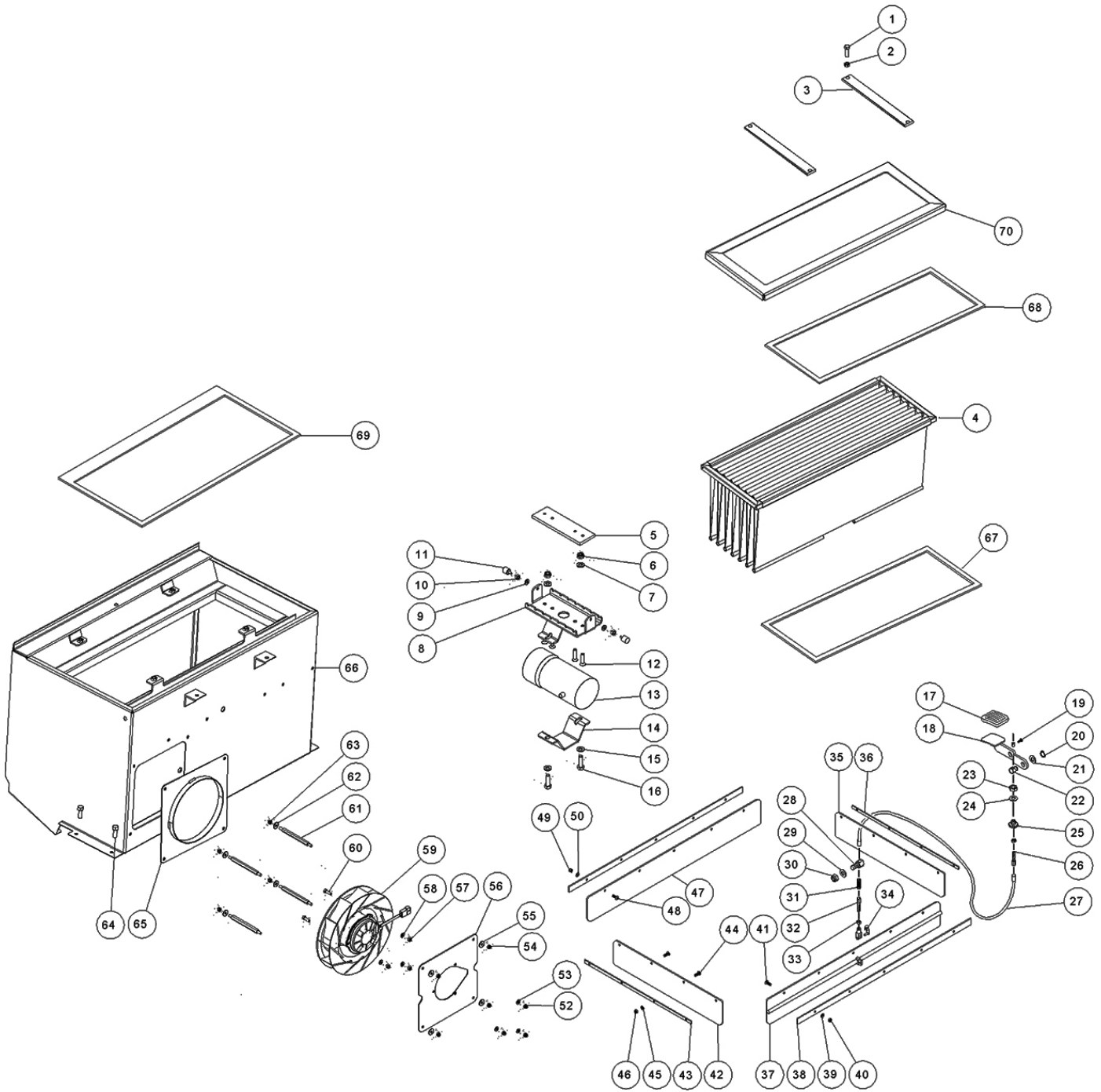
FILTER AND DUST FLAP GROUP



FILTER AND DUST FLAP GROUP

Ref.	Part No.	Mfr. Date	Description	Qty.
1	16931	() Screw, Hex, M8 X 1.25 X 20, 8.8	4
2	39311	() Nut, Hex, Std, M8 X 1.25	4
3	LAFN11464	() Plate, Filter	2
4	FTDP00214	() Filter, Pleated, Polyester	1
5	LAFN08921	() Plate	1
6	08714	() Nut, Hex, Lock, M10 X 1.5, NI, Ss	2
7	VTRS00505	() Washer D.10 Uni 6592	2
8	LAFN08917	() Clip	1
9	VTRS00503	() Washer D. 6 Uni 6592	2
10	VTDD00491	() Nut M 6 Tef	2
11	ABG000013	() Vibration 25x25 M6x25	2
12	VTVT00427	() Screw Tspei 8x35 Uni5933 Inx	4
13	MOCC00391	() Motor	1
14	LAFN06718	() Clip	1
15	VTRS00505	() Washer D.10 Uni 6592	2
16	39284	() Screw, Hex, M10 X 1.50 X 35, 8.8	2
17	MPVR45096	() Pedal Cover Large V1021	1
18	LAFN76008	() Pedal, Flap Lift, Zinc	1
19	VTVR00028	() Clamp, Drawer	1
20	VTAE14016	() Seeger External Din 471 D.12	1
21	VTRS00506	() Washer D.12 Uni 6592	1
22	LAFN75973	() Pin Fixing Flap Stop Cable	1
23	VTDD01682	() Nut M12 Zc Uni 5588	1
24	VTRS00505	() Washer D.10 Uni 6592	1
25	LAFN75975	() Pin Center Brake Pedal	1
26	CMCV75723	() Register D.7	1
27	CMCV75905	() Sheath X Cable	1
28	LAFN75976	() Pin Roller Lift Flap	1
29	VTRS00506	() Washer D.12 Uni 6592	1
30	VTDD00012	() Nut Autoblock Din 985 M12 Zb	1
31	MLML75962	() Spring	1
32	CMCV45110	() Cord D. 2.5 Flap L.14	1
33	41359	() Nut, Hex, Std, M6 X 1.00, 8	1
34	CMCV75717	() Clip Uni 1676 M6	1
35	MPVR75936	() Flap Side	1
36	LAFN00305	() Clamp, Flap	1
37	MPVR75935	() Flap, Front	1
38	LAFN86529	() Clamp, Flap	1
39	VTRS00503	() Washer D. 6 Uni 6592	8
40	VTDD00491	() Nut M 6 Tef	8
41	VTVT75721	() Screw Ttde Uni 5732 6x16 Zb	8
42	MPVR75936	() Flap Side	1
43	LAFN00305	() Clamp, Flap	1
44	VTVT75721	() Screw Ttde Uni 5732 6x16 Zb	5
45	VTRS00503	() Washer D. 6 Uni 6592	4
46	VTDD00491	() Nut M 6 Tef	4
47	MPVR75934	() Flap, Rear	1
48	VTVT75721	() Screw Ttde Uni 5732 6x16 Zb	5
49	VTDD00491	() Nut M 6 Tef	5
50	VTRS00503	() Washer D. 6 Uni 6592	5

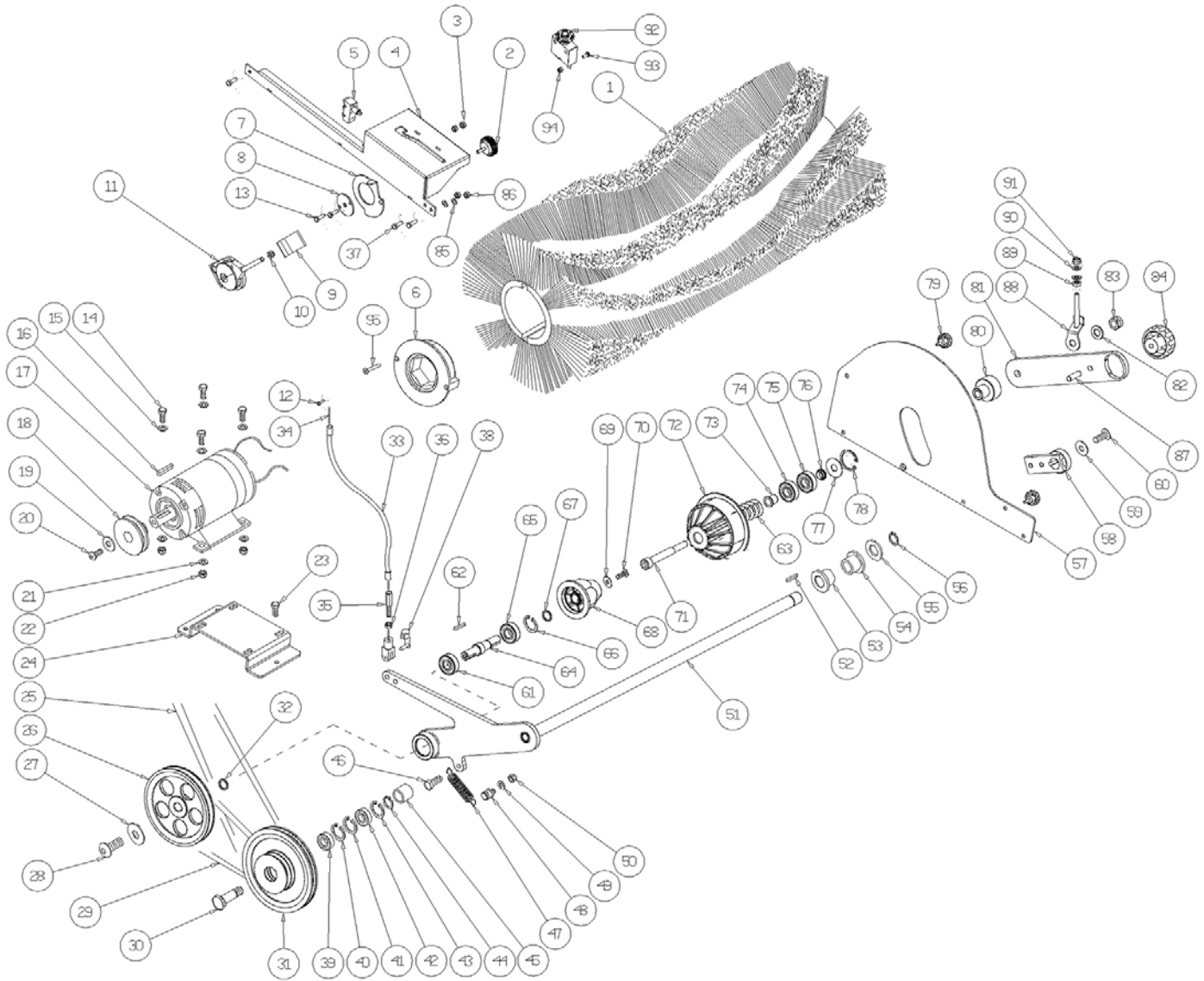
FILTER AND DUST FLAP GROUP - Cont'd



FILTER AND DUST FLAP GROUP - Cont'd

Ref.	Part No.	Mfr. Date	Description	Qty.
52	41359	()	Nut, Hex, Std, M6 X 1.00, 8	3
53	VTRS00503	()	Washer D. 6 Uni 6592	3
54	VTDD00491	()	Nut M 6 Tef	4
55	VTRS04026	()	Washer D. 6x18x2.38	4
56	LAFN06854	()	Sheet Metal Pa. 1450	1
57	41359	()	Nut, Hex, Std, M6 X 1.00, 8	3
58	VTRS00503	()	Washer D. 6 Uni 6592	3
59	VEVR00070	()	Motor, Suction	1
60	06943	()	Screw, Hex, M6 X 1.00 X 20, 8.8	3
61	LAFN06757	()	Spacer 1450	4
62	VTRS04026	()	Washer D. 6x18x2.38	4
63	VTDD00491	()	Nut M 6 Tef	4
64	VTVT62920	()	Screw Te F/Rond. M 6x 16 Zb	4
65	LAFN08170	()	Adapter	1
66	LAFN36060	()	Frame, Support	1
67	MPVR00051	()	Gasket, Filter	2
68	MPVR00051	()	Gasket, Filter	2
69	KTRI01997	()	Kit,Gaskets, Lid, Complete	1
70	LAFN11463	()	Frame, Filter	1

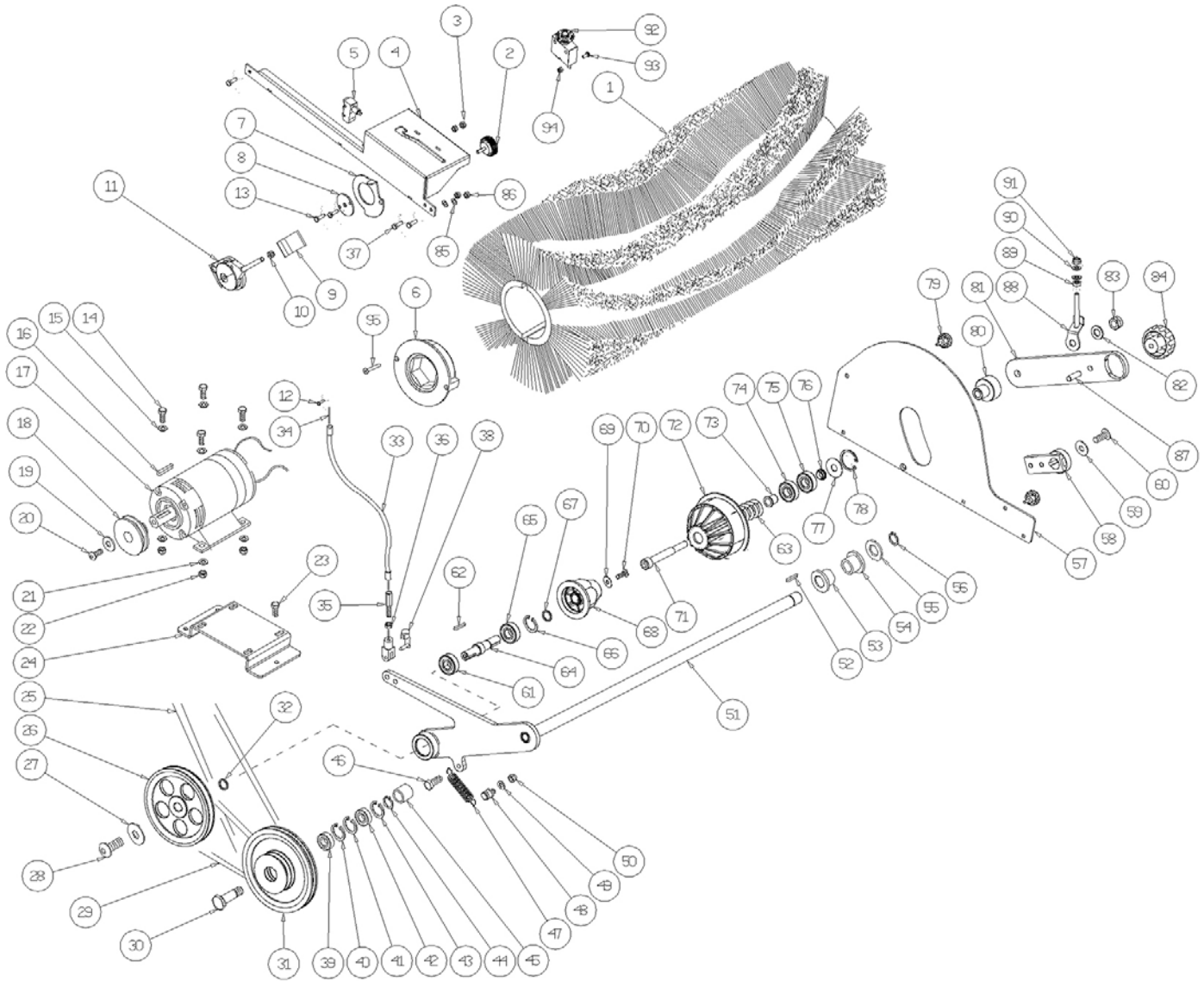
MAIN BRUSH GROUP



MAIN BRUSH GROUP

Ref.	Part No.	Mfr. Date	Description	Qty.
1	SPPV75791	() Brush, Swp, Main, Ppl, Medium	1
2	VTVT00125	() Handwheel D.40 M6x15	1
3	VTDD00491	() Nut M 6 Tef	2
4	LAFN08182	() Lever	1
5	MECI75801	() Microswitch	1
6	LAFN45099	() Drive Disk Central Brush	1
7	LAFN08186	() Sheet Metal Pa.	1
8	LAFN08176	() Thickness	1
9	CMCV33356	() Lever, Manuever	1
10	39311	() Nut, Hex, Std, M8 X 1.25	1
11	CMCV33356	() Lever, Manuever	1
12	897565	() Screw, Te, M5x10, Uni5739	1
13	06943	() Screw, Hex, M6 X 1.00 X 20, 8.8	2
14	76570	() Screw, Hex, M8 X 1.25 X 30, 8.8	4
15	VTRS00504	() Washer D. 8 Zc. Uni 6592	4
16	VTVR13165	() Key Uni 6604 5x5x20	1
17	MOCC87164	() Motor Mp80 5/2 24v 3	1
17	9017784	() Vr, Brush, Motor, Transaxle	1
18	MTPL00215	() Pulley	1
19	VTRS63242	() Washer D. 6 X24 Zc	1
20	06942	() Screw, Hex, M6 X 1.00 X 16, 8.8	1
21	VTRS00504	() Washer D. 8 Zc. Uni 6592	4
22	897598	() Nut, M8, Flat	4
23	VTVT62920	() Screw Te F/Rond. M 6x 16 Zb	3
24	LAFN08171	() Plate	1
25	MTCG00139	() Belt Xpz Esec.6t 6b Lp825	1
26	MTPL75998	() Pulley Central Brush Activation	1
27	VTRS00513	() Washer Uni 6593 8x32x2,5 Zb	1
28	17284	() Screw, Btn, M8 X 1.25 X 16, Ss	1
29	MTCG00138	() Belt Xpz Esec.6t 6b Lp758	1
30	LAFN00465	() Pin Push Return Pulley	1
31	MTPL75999	() Pulley Belt Transmission Cent.Br	1
32	LAFN06823	() Spacer, Bearings	1
33	CMCV75904	() Brake Sheath	1
34	CMCV00451	() Cable Steel Main Brush Lifting	1
35	LAFN76659	() Pin Lift Brush	1
36	VTDD86871	() Nut Uni 5589 M7 Zb	1
37	VTVT62920	() Screw Te F/Rond. M 6x 16 Zb	3
38	CMCV75718	() Clip Uni 1676 M8	1
39	CUVR00005	() Bearing 6202 2rs	1
40	VTAE17002	() Circlip D. 35 Uni 7437	1
41	VTAE17002	() Circlip D. 35 Uni 7437	1
42	CUVR00005	() Bearing 6202 2rs	1
43	VTAE17002	() Circlip D. 35 Uni 7437	1
44	VTAE17003	() Circlip Esterno Din 471 D.15	1
45	LAFN00091	() Bushing For Pull- Up Pulley	1
46	VTVT63129	() Screw Te F/Rond. M 8x16 Zb	1
47	MLML87162	() Spring D.17x2x150	1
48	LAFN00464	() Pin Spring Return Central Brush	1

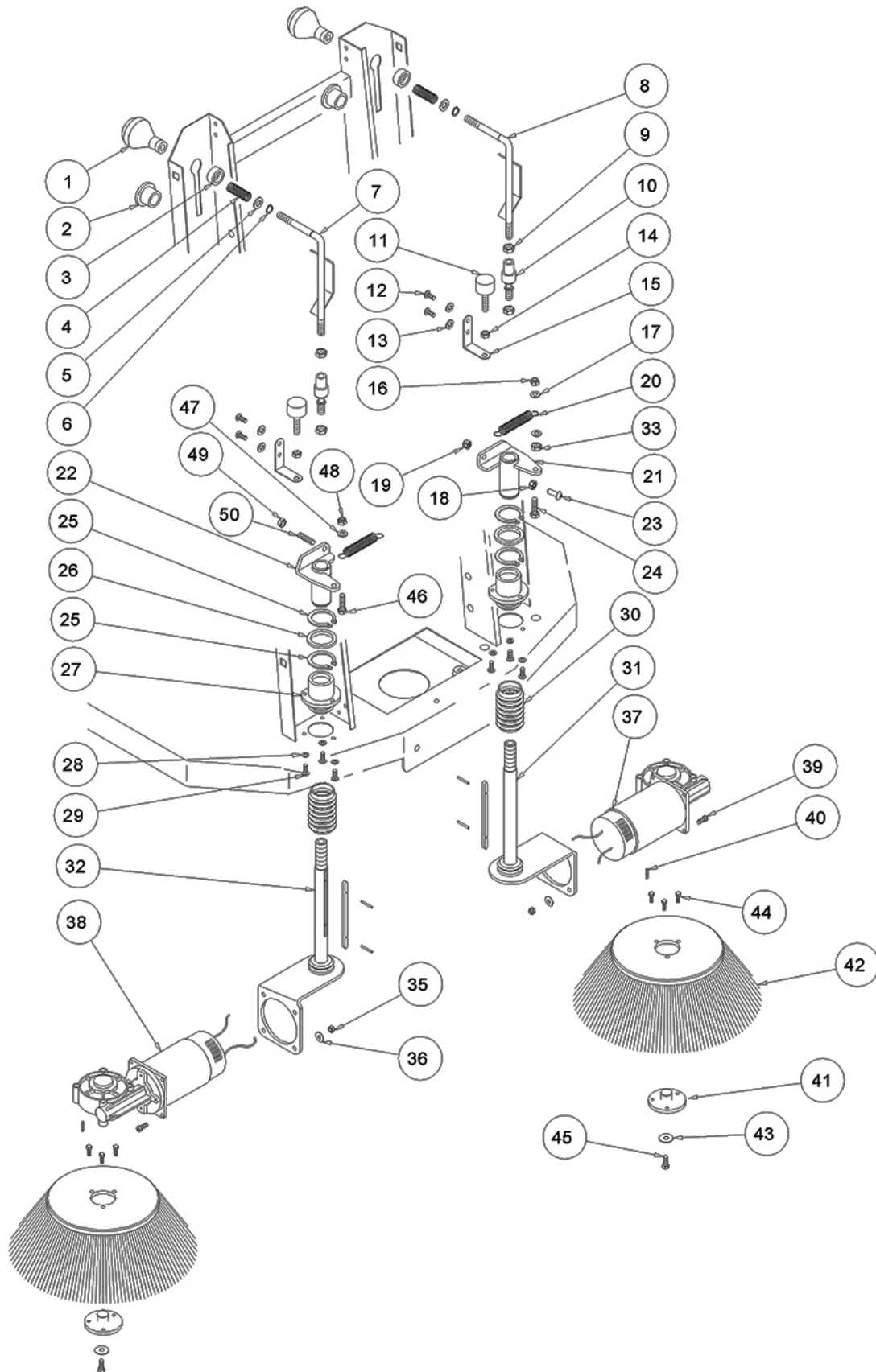
MAIN BRUSH GROUP - Cont'd



MAIN BRUSH GROUP - Cont'd

Ref.	Part No.	Mfr. Date	Description	Qty.
49	VTRS00504	()	Washer D. 8 Zc. Uni 6592	1
50	897598	()	Nut, M8, Flat	1
51	LAFN08197	()	Arm	1
52	VTVR28706	()	Key 6x 6x20 Uni 6604a	1
53	MPVR85319	()	Bushing Internal Balance Support.	1
54	MPVR85319	()	Bushing Internal Balance Support.	1
55	VTRS00509	()	Washer D.20 Flat Z. Uni6592	1
56	897280	()	Circlip, D. 20, Uni7435	1
57	LAFN36064	()	Cover, Brush Closure	1
58	LAFN00699	()	Clamp, Spray Block Arm	1
59	VTRS00514	()	Washer D.10x30x11.4	1
60	VTVT47025	()	Screw Tbce Iso 7380 10x16 Zb	1
61	CUVR17004	()	Ball Bearing 6202 - 2rs1	1
62	VTVR13165	()	Key Uni 6604 5x5x20	1
63	MLML00295	()	Spring, Brush, Central	1
64	LAFN08198	()	Shaft	1
65	CUVR17004	()	Ball Bearing 6202 - 2rs1	1
66	VTAE17002	()	Circlip D. 35 Uni 7437	1
67	LAFN06823	()	Spacer, Bearings	1
68	MPVR04915	()	Hub, Brush Central	1
69	VTRS04026	()	Washer D. 6x18x2.38	1
70	VTVT62920	()	Screw Te F/Rond. M 6x 16 Zb	1
71	VTVT01128	()	Screw Tcce Uni 5931 12x120 Zb	1
72	MPVR04923	()	Support, Brush Central	1
73	LAFN06782	()	Bushing, Bearing	1
74	CUVR17004	()	Ball Bearing 6202 - 2rs1	1
75	CUVR17004	()	Ball Bearing 6202 - 2rs1	1
76	LAFN06783	()	Bushing, Bearing	1
77	VTRS00553	()	Washer, Dust	1
78	VTAE17002	()	Circlip D. 35 Uni 7437	1
79	RTRT00022	()	Handwheel D.30 M6x15	2
80	LAFN09473	()	Bushing	1
81	LAFN08193	()	Arm	1
82	VTRS00506	()	Washer D.12 Uni 6592	1
83	VTDD00012	()	Nut Autoblock Din 985 M12 Zb	1
84	VTVR00047	()	Knob D.50 M8	1
85	VTRS00504	()	Washer D. 8 Zc. Uni 6592	2
86	VTDD00491	()	Nut M 6 Tef	2
87	VTVT00046	()	Grub Screw Uni 5923 8x35 Zb	1
88	LAFN08826	()	Arm	1
89	39311	()	Nut, Hex, Std, M8 X 1.25	1
90	VTRS00504	()	Washer D. 8 Zc. Uni 6592	2
91	897598	()	Nut, M8, Flat	1
92	MEVR02899	()	Fuse Circuit Breaker 35a	1
93	897203	()	Screw	2
94	9018496	()	Nut, Strap, Sqge	2
95	VTVT01705	()	Screw 4x45 Uni 9709	2

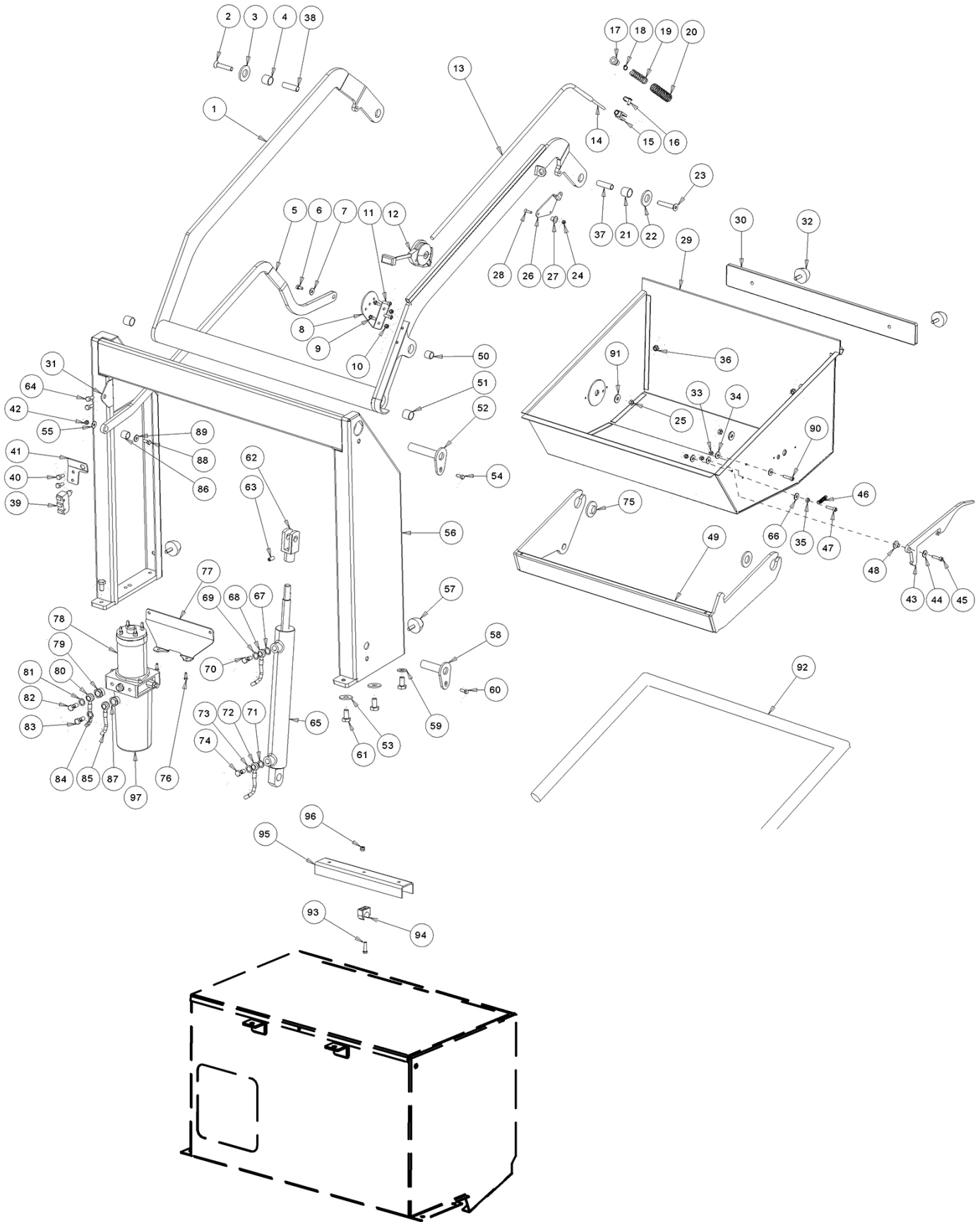
SIDE BRUSH GROUP



SIDE BRUSH GROUP

Ref.	Part No.	Mfr. Date	Description	Qty.
1	MPVR87264	() Knob, Side	2
2	MPVR47076	() Bushing Of Side Standing Arm	2
3	MPVR47074	() Bushing Standing Lift Brush Side Interio	2
4	MLML47075	() Spring Side Brush Lever.D.15x1,5x24	2
5	VTRS00505	() Washer D.10 Uni 6592	2
6	VTAE87276	() Seeger Ext. D10 Din471	2
7	LAFN00700	() Arm, Left, Lift Brush	1
8	LAFN87265	() Arm, Brush Right	1
9	VTDD00008	() Nut M10 Uni 5589 Zb	4
10	VTVR47072	() Articulation As M10	2
11	ABG000008	() Vibration Damp. Pm 20x20 M6x20	2
12	VTVT75726	() Screw Tbei M 6x 16 Iso 7380 Zb	4
13	VTRS04026	() Washer D. 6x18x2.38	4
14	41359	() Nut, Hex, Std, M6 X 1.00, 8	2
15	MPVR86579	() Support	2
16	897598	() Nut, M8, Flat	2
17	VTRS00504	() Washer D. 8 Zc. Uni 6592	2
18	39311	() Nut, Hex, Std, M8 X 1.25	1
19	897598	() Nut, M8, Flat	1
20	MLML00015	() Spring Rit.Br.Lat.D.19x3,25x57zb	2
21	LAFN08975	() Guide	1
22	LAFN08974	() Guide	1
23	VTVT75724	() Screw, Hex, M8x1.25x22	1
24	39277	() Screw, Hex, M8 X 1.25 X 25, 8.8	1
25	VTAE12644	() Circlip External Din 471 D.30	4
26	LAFN47081	() Arm Spacer	2
27	LAFN08973	() Flange	2
28	VTRS00504	() Washer D. 8 Zc. Uni 6592	6
29	VTVT75725	() Screw Tbei M 6x 10 Iso 7380 Zb	6
30	MPVR47066	() Lifting Arm Protection	2
31	LAFN08196	() Support	1
32	LAFN08195	() Support	1
33	39311	() Nut, Hex, Std, M8 X 1.25	1
36	VTRS00503	() Washer D. 6 Uni 6592	8
37	MOCC00443	() Motor Left Side Brush	1
37	MEVR31145	() Side Brush Motor Carbons	1
38	MOCC00442	() Motor Right Side Brush	1
38	MEVR31145	() Side Brush Motor Carbons	1
39	71388	() Screw, Soc, M6 X 1.00 X 16, 12.9	8
40	1014328	() Key, Sq, 05mm X 05mm, 25mml	2
41	LAFN45010	() Flange L.1400 Lt	2
42	PMVR00283	() Brush, Side, PPL (Includes 41, 44)	2
43	VTRS63242	() Washer D. 6 X24 Zc	2
44	VTVT62920	() Screw Te F/Rond. M 6x 16 Zb	6
45	VTVT00527	() Screw Te Fr 6x10 Zb Zig.	2
46	VTVT63129	() Screw Te F/Rond. M 8x16 Zb	1
47	VTRS00504	() Washer D. 8 Zc. Uni 6592	1
48	08709	() Nut, Hex, Lock, M8 X 1.25, NI	1
49	39311	() Nut, Hex, Std, M8 X 1.25	1
50	VTVT00046	() Grub Screw Uni 5923 8x35 Zb	1

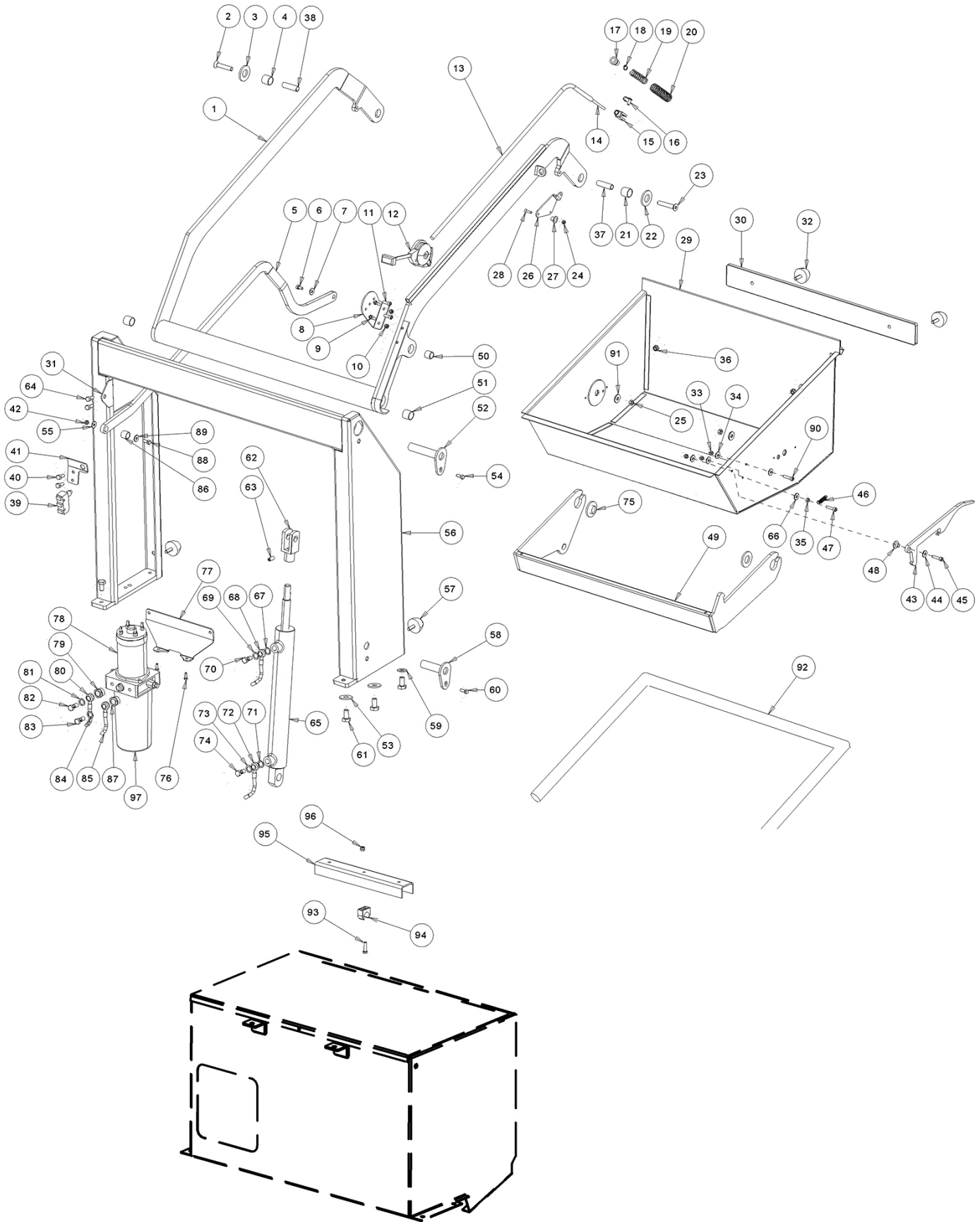
HIGH DUMP HOPPER GROUP



HIGH DUMP HOPPER GROUP

Ref.	Part No.	Mfr. Date	Description	Qty.
1	LAFN08188	() Arm, Hopper	1
2	73817	() Screw, Flt, Soc, M8 X 1.25 X 50, 10.9	1
3	VTRS00506	() Washer D.12 Uni 6592	1
4	MPVR00010	() Bushing Glycodur Gly.Pg 20- 23- 10f	1
5	LAFN00778	() Arm	1
6	VTVT00678	() Screw	1
7	VTRS00505	() Washer D.10 Uni 6592	1
8	LAFN00243	() Coupling	1
9	VTVT62920	() Screw Te F/Rond. M 6x 16 Zb	2
10	VTDD00491	() Nut M 6 Tef	2
11	1016421	() Screw, Flt, M6 X 1.0 X 20, Ss	2
12	CMCV33356	() Lever, Manuever	1
13	CMCV00452	() Sheath	1
14	CMCV00038	() Cable, Drawer	1
15	CMCV00006	() Fork Uni 1676 M6x24	1
16	CMCV00009	() Clip Uni 1676	1
17	LAFN00854	() Clamp	1
18	VTAE17003	() Circlip Esterno Din 471 D.15	1
19	MLML75964	() Spring Brake D.11,3x1,5x100	1
20	MPVR00071	() Protector, Drawer	1
21	MPVR00010	() Bushing Glycodur Gly.Pg 20- 23- 10f	1
22	VTRS00506	() Washer D.12 Uni 6592	1
23	73817	() Screw, Flt, Soc, M8 X 1.25 X 50, 10.9	1
24	VTDD08171	() Nut M 5 Tef	1
25	897598	() Nut, M8, Flat	2
26	LAFN00499	() Pin Release Dumper	1
27	LAFN00131	() Bushing	1
28	VTVT00075	() Screw Tsce Uni 5933 5x20 Zb	1
29	LAFN08192	() Drawer	1
30	LAFN08199	() Ballast	1
31	LAFN08219	() Arm	1
32	ABG000041	() Vibration Damp	2
33	VTDD00491	() Nut M 6 Tef	3
34	VTRS04026	() Washer D. 6x18x2.38	3
35	41359	() Nut, Hex, Std, M6 X 1.00, 8	1
36	897598	() Nut, M8, Flat	2
37	LAFN00494	() Pin Rotation Arm	1
38	LAFN00494	() Pin Rotation Arm	1
39	MECI75801	() Microswitch	1
40	VTVT00527	() Screw Te Fr 6x10 Zb Zig.	2
41	LAFN08206	() Bracket	1
42	897598	() Nut, M8, Flat	1
43	LAFN41006	() Lever Release	1
44	VTRS04026	() Washer D. 6x18x2.38	1
45	06532	() Screw, Soc, M6 X 1.00 X 25, 12.9	1
46	MLML45109	() Spring, Lift Flap	1
47	33951	() Screw, Soc, M6 X 1.00 X 20, 12.9	1
48	LAFN00132	() Bushing X Lever Release Arm	1
49	LAFN08189	() Support	1
50	MPVR00009	() Bushing Glycodur Gly.Pg 16- 18- 15f	1

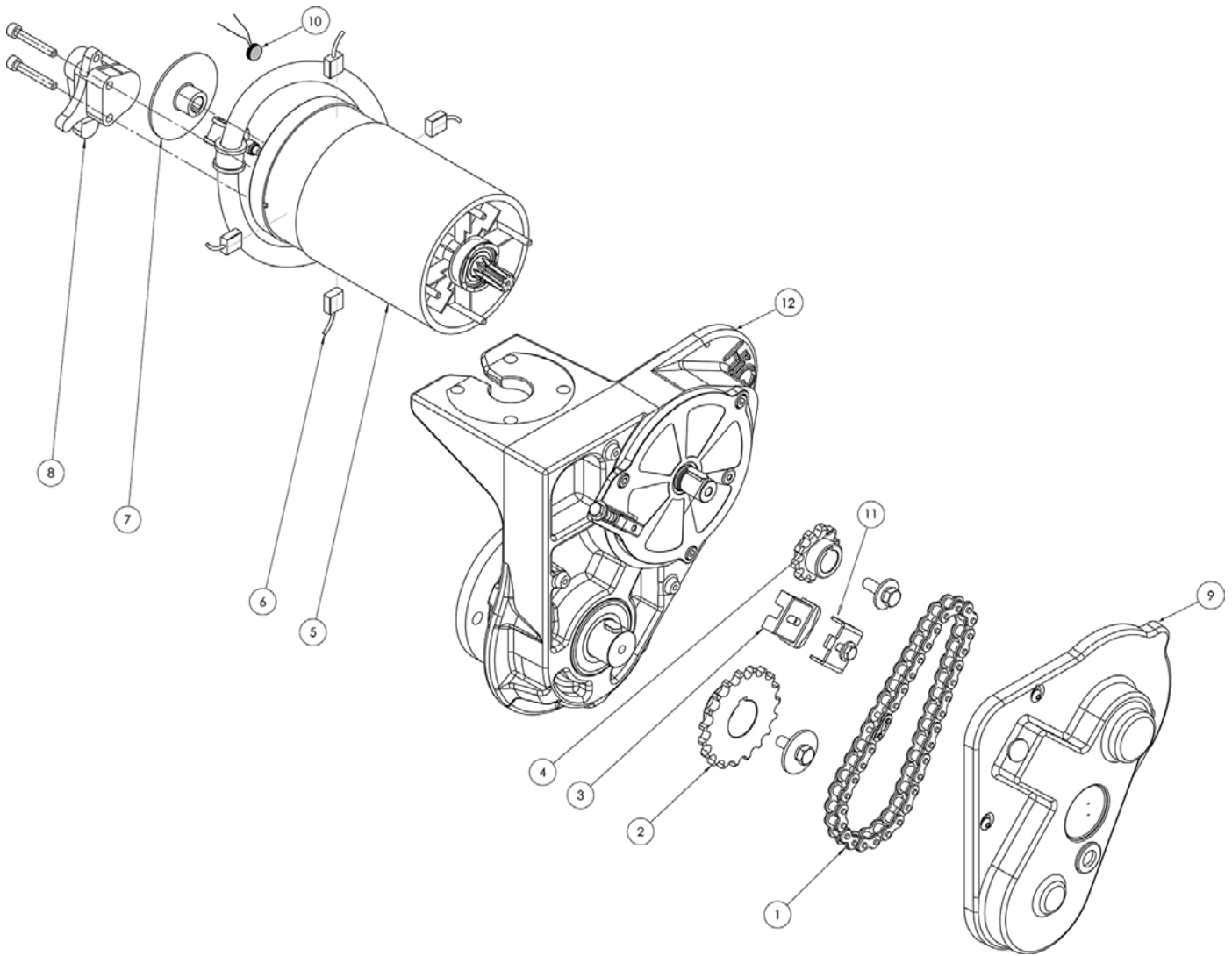
HIGH DUMP HOPPER GROUP - Cont'd



HIGH DUMP HOPPER GROUP - Cont'd

Ref.	Part No.	Mfr. Date	Description	Qty.
51	MPVR00008	()	Bushing Glycodur Gly.Pg 20- 23- 20f	2
52	LAFN00489	()	Pin, Drawer, Arm	2
53	VTRS00514	()	Washer D.10x30x11.4	4
54	VTVT63129	()	Screw Te F/Rond. M 8x16 Zb	2
55	897619	()	Washer, D.8x24, Zc	1
56	LAFN08187	()	Plate	1
57	ABG000041	()	Vibration Damp	2
58	LAFN00488	()	Pin Lower Cilind	1
59	VTRS00505	()	Washer D.10 Uni 6592	2
60	VTVT63129	()	Screw Te F/Rond. M 8x16 Zb	1
61	897402	()	Screw, Te, M10x20, Uni5739	6
62	CMCV00004	()	Wire, Cylinder	1
63	VTVT75731	()	Screw Uni 5923 6 X5	1
64	VTVT62920	()	Screw Te F/Rond. M 6x 16 Zb	2
65	PIID00001	()	Piston	1
66	VTRS04026	()	Washer D. 6x18x2.38	1
67	VTRS00037	()	Washer In Dawty 1/8	1
68	TBAP00002	()	Tube 3/16" Return	1
69	VTRS00037	()	Washer In Dawty 1/8	1
70	RCDS47107	()	Screw Perforated 1/8"	1
71	VTRS00037	()	Washer In Dawty 1/8	1
72	TBAP00001	()	Tube, Delivery	1
73	VTRS00037	()	Washer In Dawty 1/8	1
74	RCDS47107	()	Screw Perforated 1/8"	1
75	LAFN41002	()	Bushing	2
76	VTVT00005	()	Screw Te M 5x 12 F/Rond.Zigr	2
77	LAFN08180	()	Bracket	1
78	PPEL45108	()	Motor- Driv.Pump Idr. 24v L.14	1
79	RCVR00081	()	Dampener, Control, Unit	1
80	TBAP00001	()	Tube, Delivery	1
81	VTRS00037	()	Washer In Dawty 1/8	1
82	RCDS47107	()	Screw Perforated 1/8"	1
83	RCDS47107	()	Screw Perforated 1/8"	1
84	VTRS00037	()	Washer In Dawty 1/8	1
85	TBAP00002	()	Tube 3/16" Return	1
86	LAFN00500	()	Pin X Parallel Arm	1
87	RCVR00081	()	Dampener, Control, Unit	1
88	39277	()	Screw, Hex, M8 X 1.25 X 25, 8.8	1
89	897619	()	Washer, D.8x24, Zc	1
90	71388	()	Screw, Soc, M6 X 1.00 X 16, 12.9	1
91	897619	()	Washer, D.8x24, Zc	2
92	GUVR00625	()	Gasket 1.8m	1
93	897476	()	Screw, M5x16, Tbce, Iso7380, Zb	1
94	MPVR12708	()	Clip M20	1
95	LAFN11500	()	Cylinder, Block, Hyd	1
96	VTDD08171	()	Nut M 5 Tef	1
97	MPVR12287	()	Tank Oil	1

DRIVE WHEEL BREAKDOWN GROUP



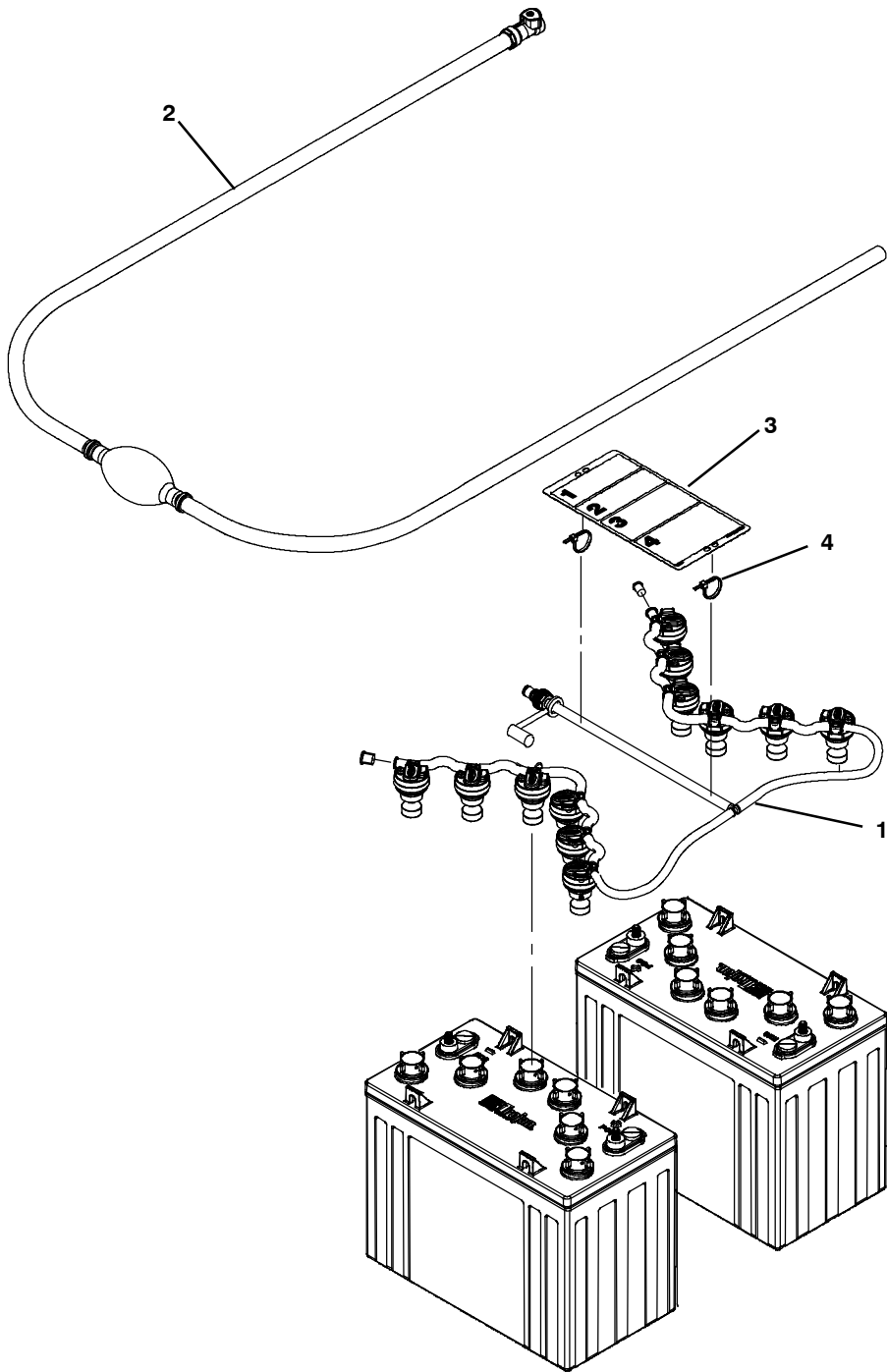
DRIVE WHEEL BREAKDOWN GROUP

Ref.	Part No.	Mfr. Date	Description	Qty.
▽	MOCC00434	()	Motorwheel W/ Brake	1
▲	1 MTCR00104	()	Chain	1
▲	2 MTIG00130	()	Pinion 1/2x5/16 Z19	1
▲	3 LAFN08226	()	Chain, Stretcher	1
▲	4 MTIG00129	()	Pinion 1/2x5/16 Z10	1
▲	5 MOCC00445	()	Motor, Traction	1
▲	6 MEVR02107	()	Kit, Traction Motor	1
▲	7 LAFN08224	()	Disc	1
▲	8 LAFN08225	()	Disc Brake Caliper 1d.311	1
▲	9 MPVR11196	()	Cover, Crankcase Motor	1
▲	10 MEVR02827	()	Sensor, Thermal	1

▽ ASSEMBLY

▲ INCLUDED IN ASSEMBLY

MANUAL BATTERY WATERING KIT
 (NA Market - Trojan 12V 225Ah Wet Battery 1070591)

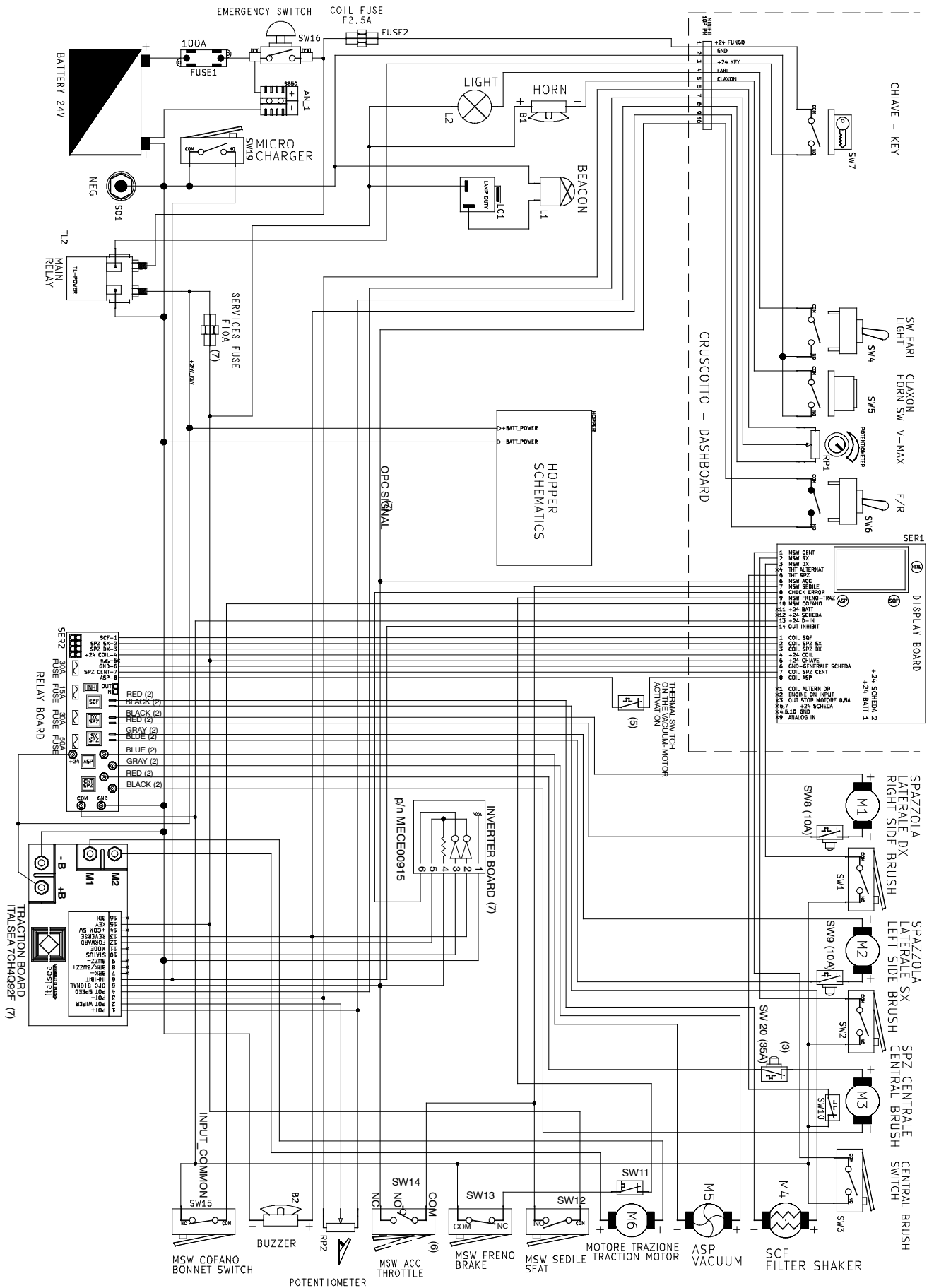


Ref.	Part No.	Mfr. Date	Description	Qty
▽	9021729	()	FILL KIT, 12 VALVE, MNL, CI [TROJAN BATTERY]	1
▲ 1	1257801	()	MANIFOLD ASSY, WTR, BTRY, 12VLV [TROJAN]	1
▲ 2	1236295	()	PUMP, HAND, BATTERY	1
▲ 3	1253250	()	LABEL, TAG, BATTERY [BWT WATERING]	1
▲ 4	130773	()	TIE, CABLE, NYL, 11.0L, .14W, 3.0 MAX. D	2

▽ ASSEMBLY

▲ INCLUDED IN ASSEMBLY

ELECTRICAL DIAGRAM



ELECTRICAL DIAGRAM

